

This Owner's Manual is provided and hosted by [Appliance Factory Parts](#).



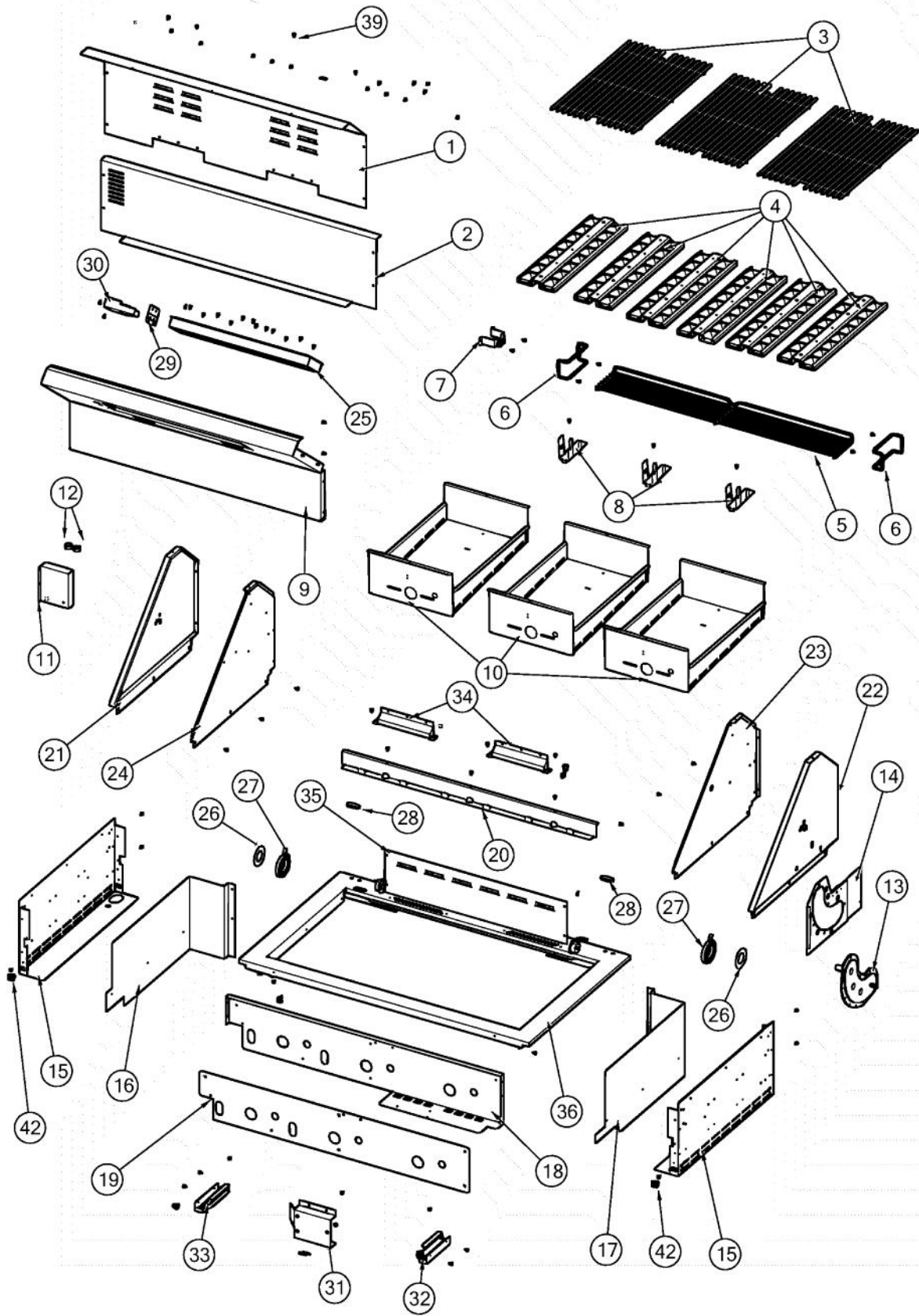
VIKING VGBQ54224 Owner's Manual

[Shop genuine replacement parts for VIKING
VGBQ54224](#)

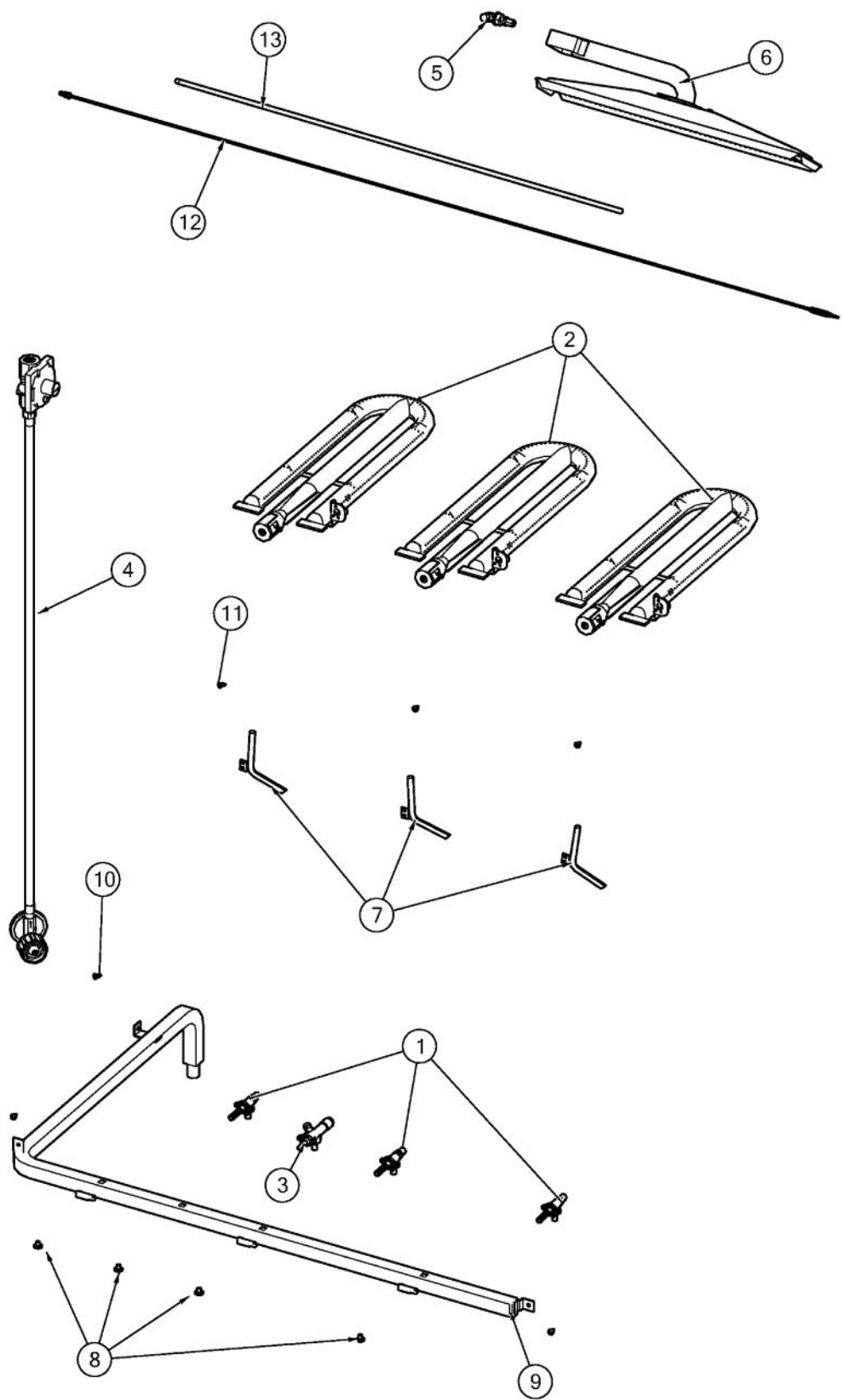


[Find Your VIKING Grill Parts - Select From 210 Models](#)

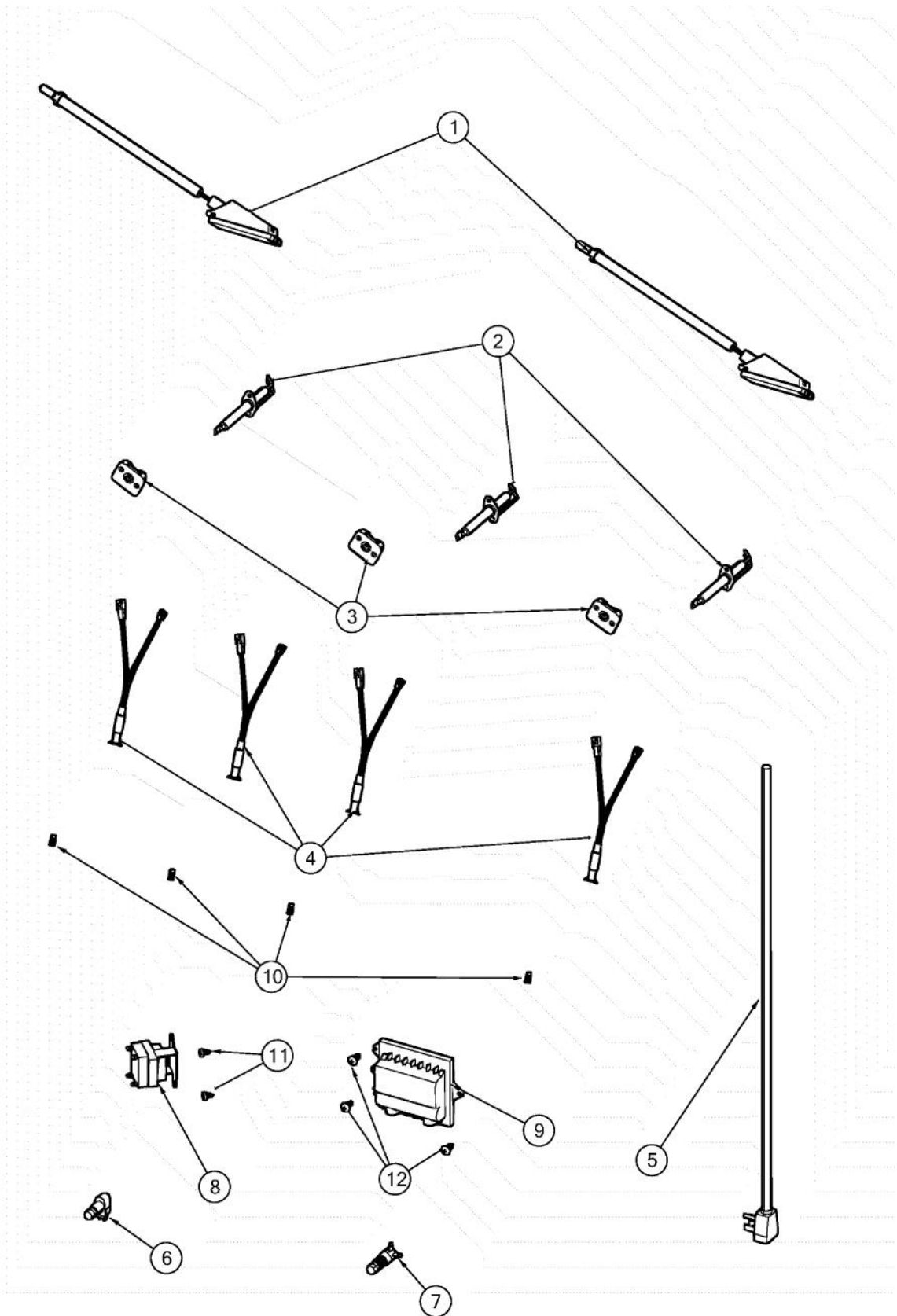
----- Manual continues below -----



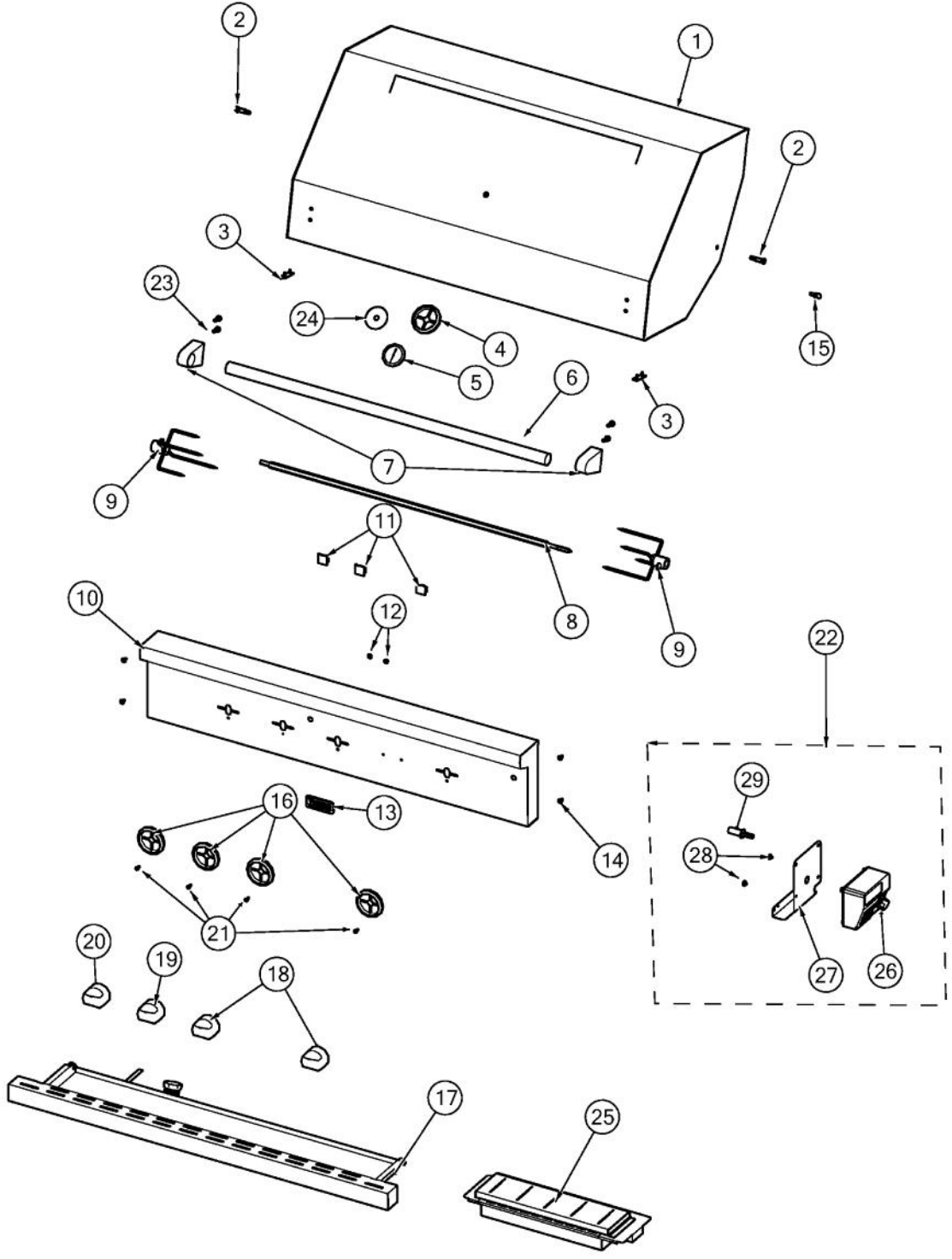
Ref #	Part Number	Qty.	Description
1	045421-000	1	PANEL, REAR BQ
2	045785-000	1	BRACKET, BACK, SUPPORT
3	029434-000	3	GRATE, BQ GRILL
4	032370-000	6	TRAY, CRMC, BRIQUETTE, ASM
5	045762-000	1	42 WARMING RACK
6	031598-000	2	HANGER, WARMING RACK
7	037589-000	1	ROLLER, BRKT, ROTIS, ASM
8	032239-000	6	BRACKET, REAR GRILL BURNER
9	045422-000	1	BACKPLATE, BQ, INT
10	029461-000	6	BOX, U BURNER, 30
11	035094-000	1	CHANNEL, WIRE
12	PD040005	2	SNAP BUSHING - 7/8
13	PC070024	1	ROTIS, GEAR BOX ASSY
14	031838-000	1	BRACKET, SUPPORT ROTIS BOX ASM
15	029459-000	2	PANEL, LWR SIDE
16	046275-000	1	LEFT HAND INNER HEAT SHIELD
17	046276-000	1	RIGHT HAND INNER HEAT SHIELD
18	045623-000	1	PANEL, SUPPORT, HEAT SHIELD
19	045624-000	1	PANEL, FRONT, HEAT SHIELD
20	046125-000	1	BRACKET, COVER, BURNER BOX, 42
21	045830-000	1	WINDSHIELD, BQ, ASM LH
22	045831-000	1	WINDSHIELD, BQ RH ASM W/ROTIS
23	040775-000	1	WINDSHIELD, BQ, OS, RH
24	040745-000	1	WINDSHIELD, BQ, IS, LH
25	B2005347	1	INFRARED FRAME
26	007818-000	2	RETAINER, CANOPY SPRING
27	007206-000	2	CANOPY, SPRING, ASSIST- LIGHT
28	002671-000	2	RUBBER DOOR BUMPER
29	029454-000	1	BRACKET, ROTIS IGNITOR, MTG
30	029457-000	1	COVER, ROTIS IGNITOR
31	031570-000	1	BRACKET, MOUNTING, MODULE
32	031551-000	1	GUIDE, DRIP TRAY, RH ASM
33	031544-000	1	GUIDE, DRIP TRAY, LH ASM
34	035606-000	2	FLUE DIVERTER, 30
35	N/P	1	CABINET (NOT FIELD REPLACEABLE)
36	N/P	1	CABINET (NOT FIELD REPLACEABLE)
37	003801-000	2	SHOULDER SCREW, NO.10
38	014143-000	4	SCR 10-12 A SHLD TRP 1/2 S ZN BLUE
39	037304-000	101	FASTENER, PNH, TORX, AB, PSVD, WAX
40	PD020056	3	NO.10-24 X 1/2 PH.TR. M.S. SS
41	PD030044	3	10-24 KEPS NUT SS
42	PD950013	2	LATCH PANEL ACCESS



Ref #	Part Number	Qty.	Description
1	014953-000	3	VALVE, GAS, ASM, U BNR - LP
1	014952-000	3	VALVE, GAS, ASM, U BNR
2	029479-000	3	U-BURNER, BQ ASM
3	038657-000	1	VALVE, RTSR, ASM, LP
3	038629-000	1	VALVE, RTSR, ASM, NAT
4	043214-000	1	REGULATOR, HOSE, LP ASSY
4	043217-000	1	REGULATOR, NAT ASSY
5	PB040125	1	ORIFICE FTG 90D 20IR NO.57 HD YELLOW
5	PB040124	1	90 DEG. ORIFICE FITTING
6	G3005289	1	BURNER,ASM,,ASM,IR,20
7	PB020114	3	FLASH TUBE (VGBQ3002T)
8	PD010012	4	VALVE BOLT 1/4-20 UNC-2B 5/16 M.S.
9	045552-000	1	42 MANIFOLD
10	037304-000	3	FASTENER, PNH, TORX, AB, PSVD, WAX
11	037304-000	3	FASTENER, PNH, TORX, AB, PSVD, WAX
12	042576-000	1	THERMOCOUPLE
13	046934-000	1	55 6/16 S.S. FLEX TUBING (T5-NF01-55)



Ref #	Part Number	Qty.	Description
1	034082-000	1	120V HALOGEN LIGHT ASM
2	PB040288	3	SMOKER BURNER IGNITER
3	PA020045	3	IGNITOR SWITCH
4	044929-000	4	LAMP, LED, 12VDC, WHITE, PLUG, RECEP, ASM
5	PE070189	1	ELECTRICAL SUPPLY CORD - BBQ GRILL
6	PE050063	1	SPARKER SWITCH
7	PE050019	1	OVEN LIGHT SWITCH (VGSO166) 90-DEG.
8	006021-000	1	SCE, PWR, LED, 12VAC
9	PA020047	1	INVENSYS 0+4 RE-IGNITION SPARK MODULE
10	044350-000	4	LENS, COVER, LED, BLUE
11	037304-000	2	FASTENER, PNH, TORX, AB, PSVD, WAX
12	PD020056	3	NO.10-24 X 1/2 PH.TR. M.S. SS
NI	037496-000	1	LAMP, HALOGEN, ASM, OVEN 125VAC
NI	048238-000	1	IGNITOR, GRILL, W/WIRE ASM
NI	046679-000	1	54 WIRE HARNESS?
NI	035565-000	1	WIRE, IGNITOR, GRILL 12
NI	035561-000	1	WIRE, IGNITOR, GRILL 8
NI	036452-000	1	WIRE ASM, IGNITER, 21
NI	048317-000	1	ROTISS, IGNITOR, EXTENSION
NI	039137-000	1	TUBING, INSUL, GAS IGNITOR
NI	033701-000	3	COVER, VALVE
NI	047027-000	1	HARNESS, LED, POWER
NI	034992-000	3	TIE, NYLON CABLE
NI	048238-000	1	IGNITOR, GRILL, W/WIRE ASM
NI	047027-000	1	HARNESS, LED, POWER



Ref #	Part Number	Qty.	Description
1	045796-000	1	HOOD WELDMENT
2	034607-000	2	FASTENER, BOLT, 5/16 - 1-1/2
3	036547-000	2	GROMMET, RECTANGLE RUBBER
4	PB010304	1	KNOB BEZEL
5	020659-000	1	GAUGE, BMTL, TEMPERATURE
6	045824-000	1	42 CANOPY HANDLE
7	026965-000	2	END CAP, ASM, DOOR HANDLE
8	045827-000	1	42 SPIT ROD
9	032881-000	2	FORK, RTSR
10	047020-2632	1	CONTROL PANEL ASM, W/GRAPHICS- 42
11	M0104106	3	CLIP-CORD VM0104106
12	PD030006	2	CAPPED WASHER PAL NUT
13	PE010142	1	3 LOGO XBKXXCHROME
14	014143-000	4	SCR 10-12 A SHLD TRP 1/2 S ZN BLUE
15	043302-000	1	SCREW, THUMB, SPADE HEAD
16	PB010304	4	KNOB BEZEL
17	045454-000	1	DRIP TRAY ASM, BQ, 42
18	035901-000	2	KNOB, GRL, WOK, PRO CR3
19	038435-000	1	KNOB, ROTISS, PRO, CR3
20	035902-000	1	KNOB, IR, PRO CR3
21	PD020120	4	8 X 1/2 TEK SHEET METAL SCREW
22	043708-000	1	GRILL, MOT, MT, 304, RTSR ASSY
23	PD020069	4	CAP SCREW 1/4-20 X 3/4 SS
24	026724-000	1	SPACER, WSHR
25	045515-000	1	SMOKER BOX ASSY
26	032461-000	1	MOTOR, ROTIS
27	043284-000	1	ROTIS MOTOR BRACKET
28	PD040004	2	GROMMET BUMPER
29	037377-000	1	ADAPTER, HEX, ROTISSERIE MOTOR ADAPTER