

This Owner's Manual is provided and hosted by [Appliance Factory Parts](#).



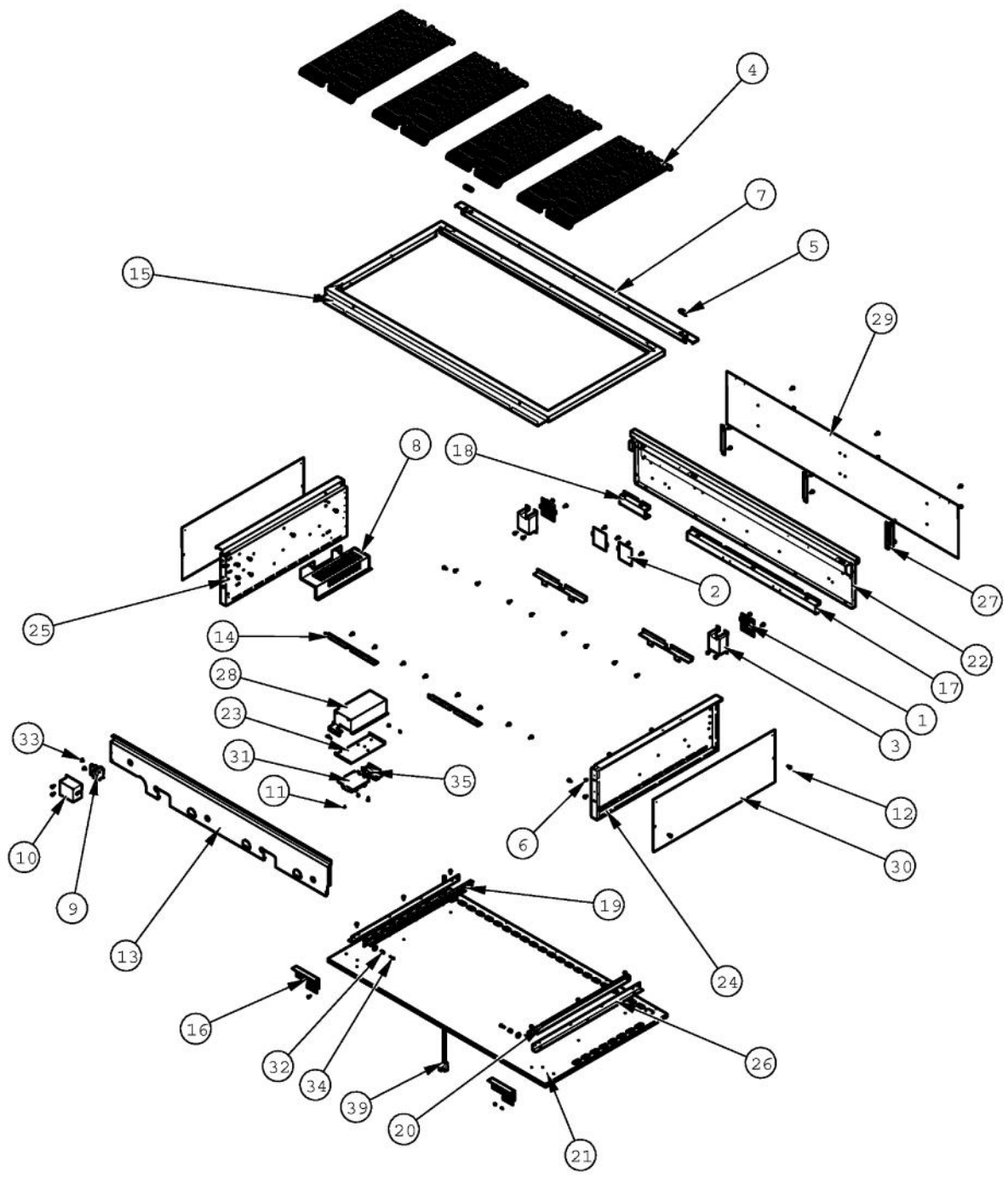
VIKING VGBQ55404RE Owner's Manual

[Shop genuine replacement parts for VIKING
VGBQ55404RE](#)

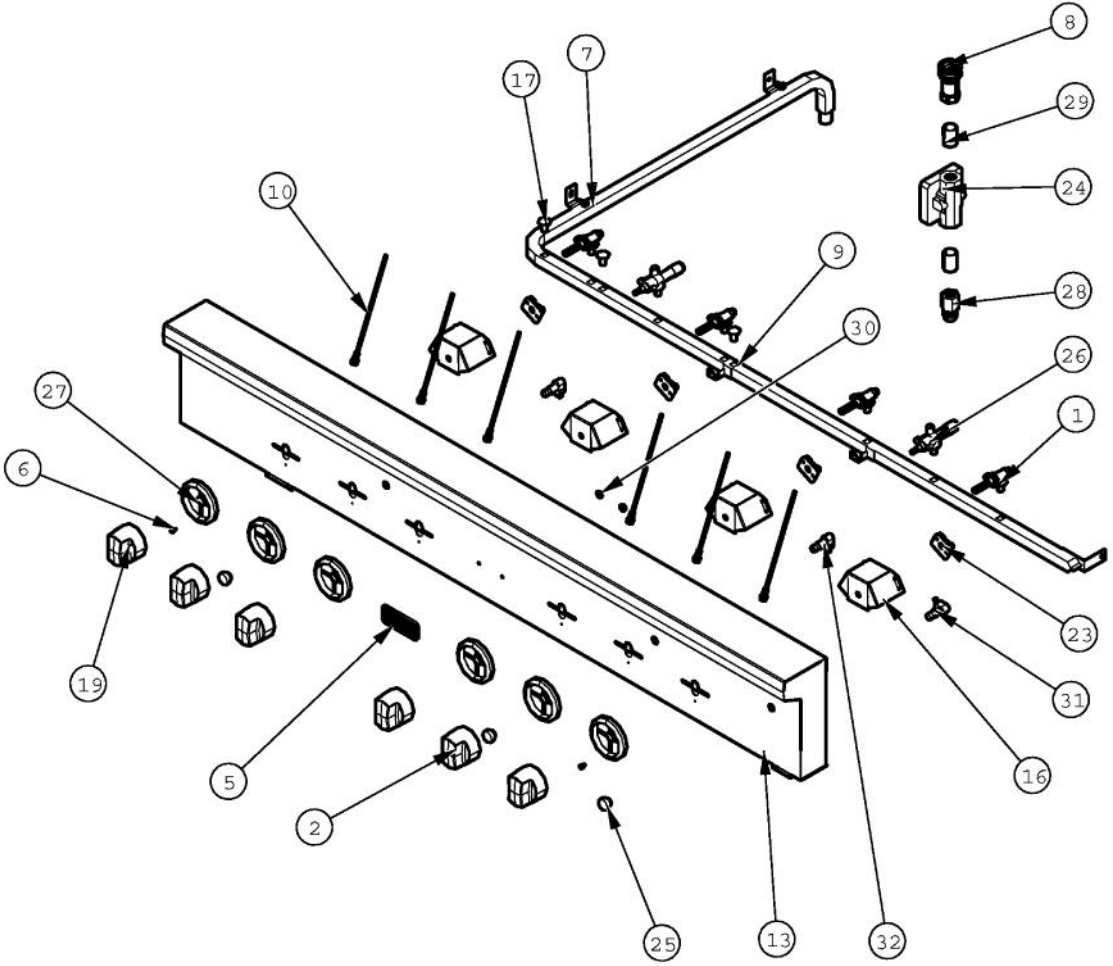


[Find Your VIKING Grill Parts - Select From 210 Models](#)

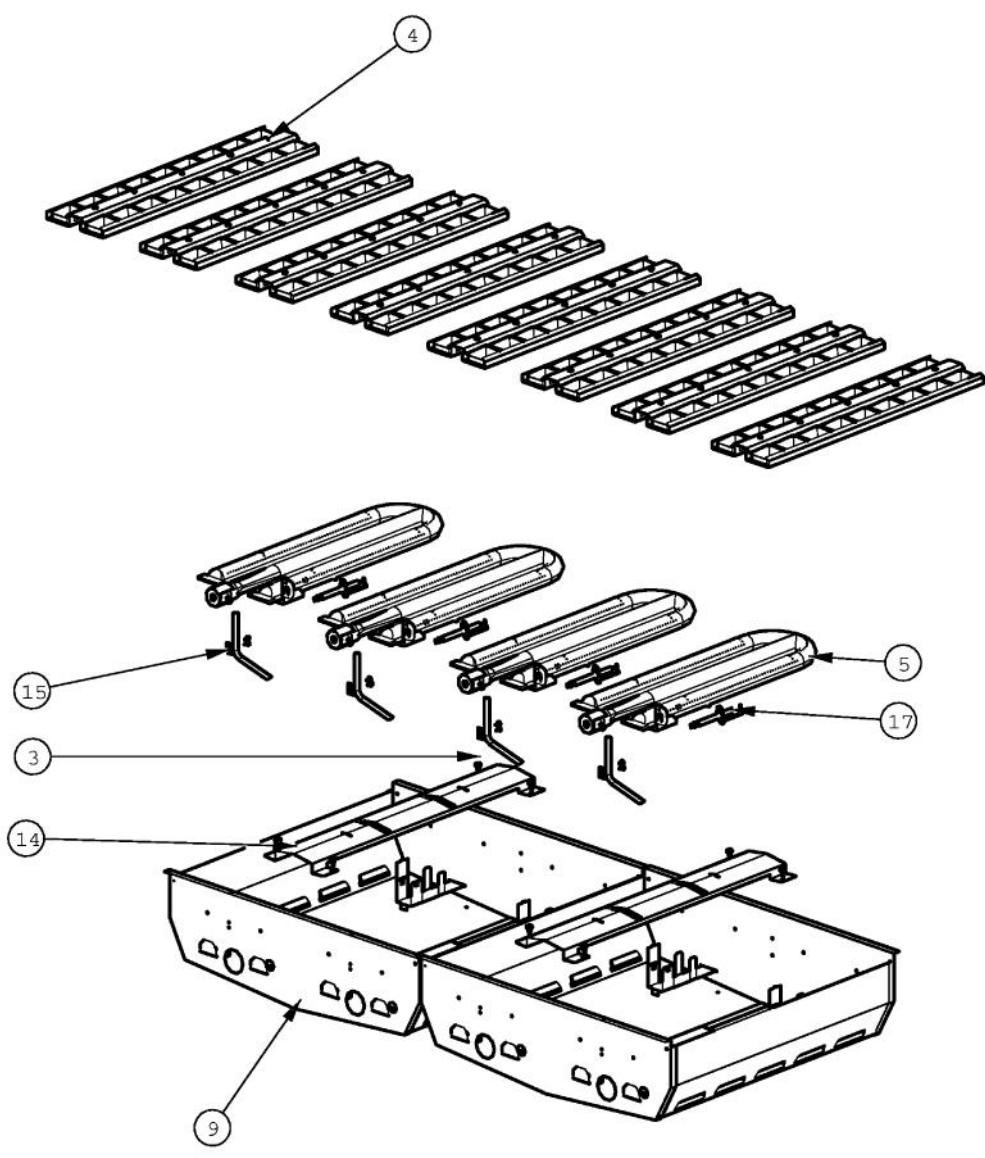
----- Manual continues below -----



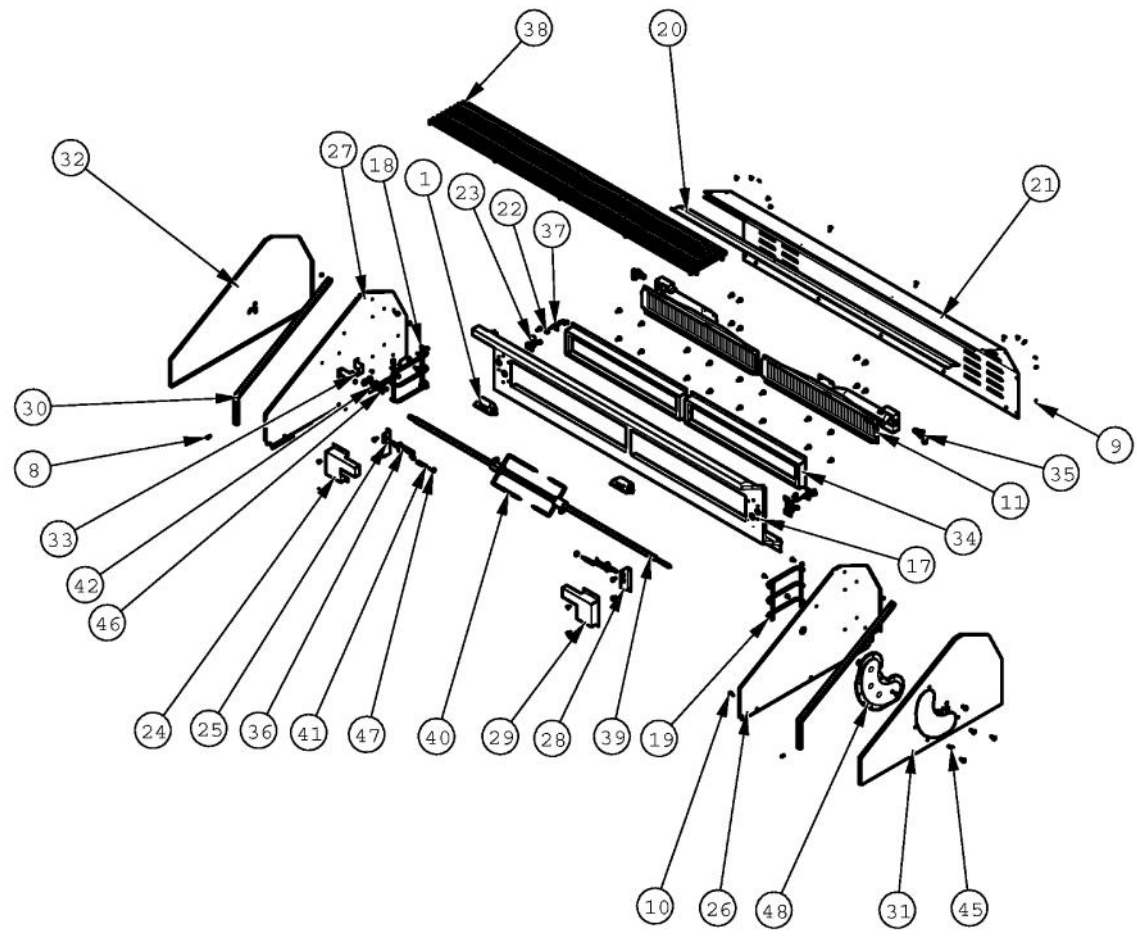
Ref #	Part Number	Qty.	Description
1	002353-000	2	GRILL PLUG VENT
2	002354-000	2	GRILL PLUG PLATE
3	002355-000	2	GRILL RECEPTACLE BOX
4	002369-000	4	REDESIGN BBQ GRATE - FULL
5	002671-000	2	RUBBER DOOR BUMPER
6	003801-000	4	SHOULDER SCREW, NO.10
7	003858-000	1	5304 GRILL REAR TRIM
8	004089-000	1	POWER CORD SHIELD
9	006021-000	1	SCE, PWR, LED, 12VAC
10	007657-000	1	PROT. COVER
11	020051-000	4	SCR, DR, PHLP,PNH, 410SS, NPLT, 10-16 X 1/2
12	020055-000	4	SCR, DR, HXWH, 410SS, NPLT, 10-18 X 1/2
13	025566-000	1	SUPPURT, GRL, FR, 53
14	034601-000	4	BRACKET, SPACER, BRIQUETTE
15	033812-000	1	FRAME, GRILL, 53
16	034426-000	2	PLATE, GUARD
17	A20015410	1	GRILL WIRE CHANNEL - 53 REAR
18	A20015412	1	GRILL WIRE CHANNEL - 42 SHORT
19	B20013593	1	DRIP TRAY SLIDE - LH
20	B20013594	1	DRIP TRAY SLIDE - RH
21	B20015508	1	GRILL BOX BOTTOM 53
22	B20015511	1	GRILL BOX BACK 53
23	B20015568	1	0+4 SM/TB HOUSING BTM
24	B2005203	1	GRILL BOX SIDE RH (PHASE 2)
25	B2005204	1	PANEL, GRL, LH
26	B2005213	2	DRIP TRAY GUIDE BRACKET (PHASE 2)
27	B2006305	3	HEAT SHIELD BRACKET
28	B30015552	1	0+4 SPARK MODULE TERMINAL HOUSING
29	L1004882	1	REAR HEAT SHIELD - 53"
30	L1005398	2	SIDE HEAT SHIELD
31	PA020047	1	INVENSYS 0+4 RE-IGNITION SPARK MODULE
32	PC020025	2	DRIP TRAY WHEEL
33	PD020073	3	SRW NO.10 X 24 X 3/8 WAFER HD TYPE23
34	PD020082	4	10 X 24 COUNTERSUNK S.S. SCREW
35	PE070855	1	E SERIES TERMINAL BLOCK
39	PE070791	1	GRILL POWER SUPPLY CORD (8 FT)



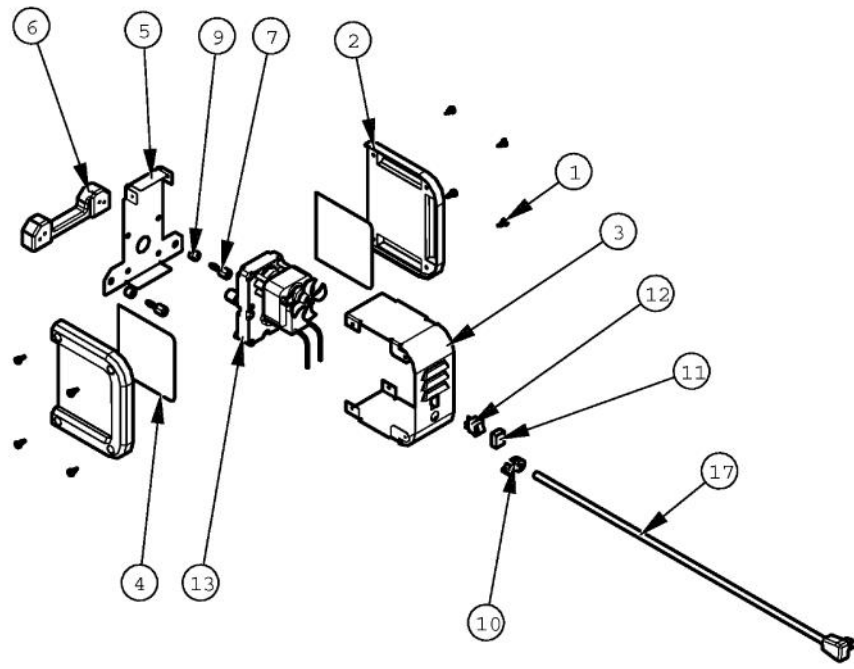
Ref #	Part Number	Qty.	Description
1	006388-000	4	GAS VALVE - NAT.
1	006389-000	4	GAS VALVE - LP
2	014618-000	1	GRILL ROTISSERIE KNOB - SS
5	015009-000	1	OUTDOOR LOGO - 3 CHROME
6	020041-000	1	SCR, DR, PH, PNH, 410 SS, NPLT, 6-20 X 3/8
8	023652-000	1	COUPLER, ASM
9	025723-000	1	MANIFOLD, GRL, 53
10	031337-000	4	LED, SHORT, ASM
13	032243-2376	1	PANEL, CNTRL WELD ASM VGBQ5540RE W/GRAPHICS
18	002884-000	1	MANIFOLD PLUG
19	014616-000	4	GRILL KNOB - SS
23	PA020045	4	IGNITOR SWITCH
24	PA070006	1	PRESSURE REGULATOR - NATURAL
24	PA070005	1	PRESSURE REG.(LP) RV47L-77-10.0
25	PB010163	3	OVEN LIGHT SWITCH KNOB BK
26	PB010191	2	I.R. SAFETY VALVE (PHASE II GRILLS)
27	PB010304	6	KNOB BEZEL
28	PB020239	1	7/8 FLARE TO 1/2 FEMALE CONNECTOR
29	PB040046	2	1/2 CLOSE NIPPLE (VGSO166)
30	PD030006	2	CAPPED WASHER PAL NUT
31	PE050019	1	OVEN LIGHT SWITCH (VGSO166) 90-DEG.
32	PE050063	1	SPARKER SWITCH
NI	PD010012	5	VALVE BOLT 1/4-20 UNC-2B 5/16 M.S.
NI	PB010220	2	I.R. SAFETY VALVE LP
NI	PB040235	1	1/2NPT TO 3/8 FLARE COUPLING
NI	PB040146	1	1/2 X 3/8 FLARE ADAPTER (VGBQ)
NI	PB020227	1	HIGH PRESSURE LP HOSE
NI	PA010138	1	CYLINDER CONNECTION
NI	PA070007	1	LP TANK REGULATOR (VGBQ)



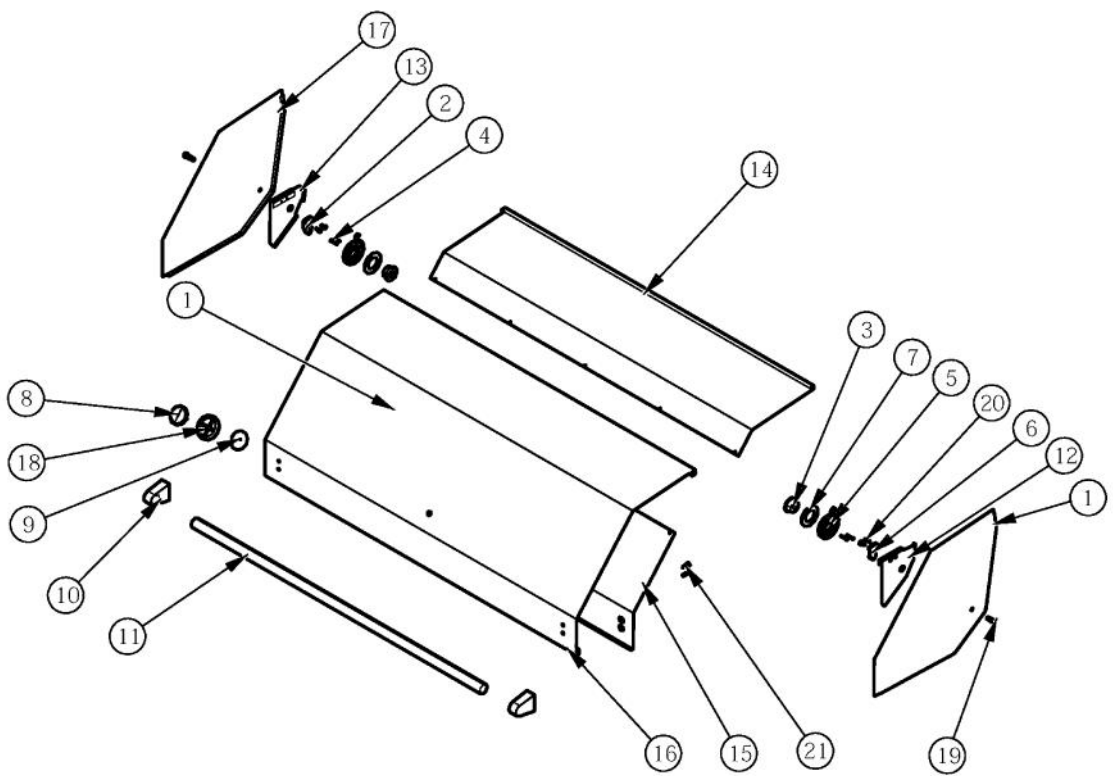
Ref #	Part Number	Qty.	Description
3	020055-000	8	SCR, DR, HXWH, 410SS, NPLT, 10-18 X 1/2
4	032381-000	8	TRAY, CRMC, BRIQUETTE, ASM
5	023000-000	3	BURNER, GRL, ASM, U
9	032132-000	2	BOX, BNR, ASM, 30
14	B2005246	2	BURNER BOX SHIELD (PHASE 2)
15	PB020114	3	FLASH TUBE (VGBQ3002T)
17	PB040288	3	SMOKER BURNER IGNITER



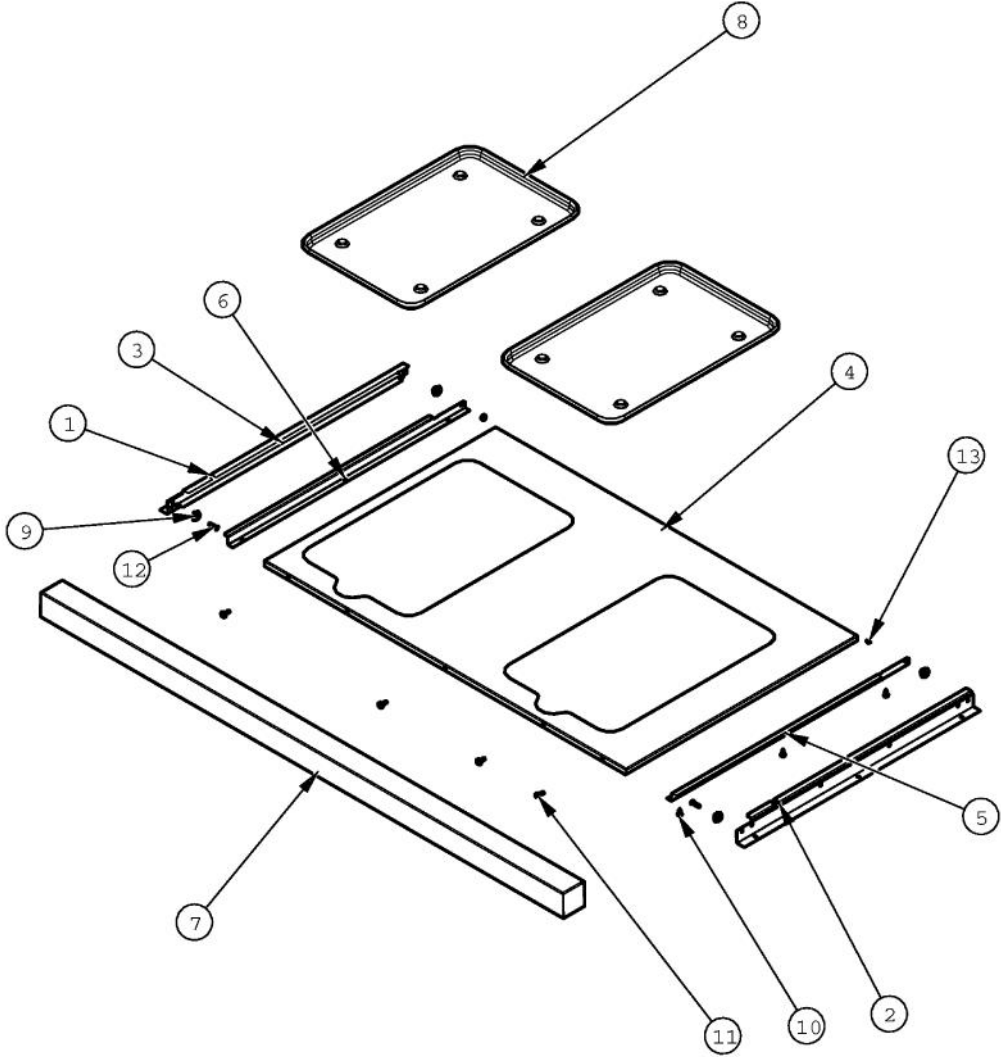
Ref #	Part Number	Qty.	Description
1	001310-000	2	120V HALOGEN LIGHT
8	020037-000	4	SCR, DR, FCSKHP, 410 SS, NPLT, 8-18 X 3/4
10	020055-000	1	SCR, DR, HXWH, 410SS, NPLT, 10-18 X 1/2
11	G3005289	2	BURNER,ASM,,ASM,IR,20
17	032367-000	1	WALL, GRILL, INNER, REAR 554
18	PB060112	1	WARMING RACK SUPPORT RH
19	PB060113	1	WARMING RACK SUPPORT LH
20	034078-000	1	SHIELD, TOP, GRILL, 54
21	034133-000	1	COVER, REAR, GRILL, 54
23	B20015401	1	FLEXIBLE IGNITOR STANDOFF
24	B20015402	1	I/R IGNITOR COVER LH
25	B20015403	1	IR IGNITOR BRACKET
26	B20015418	1	INSIDE WINDSHIELD RH
27	B20015419	1	INSIDE WINDSHIELD LH
28	B20015518	1	IR IGNITOR BRACKET 53
29	B20015521	1	53 RH ROTISSERIE IGNITOR COVER
30	B20015574	2	GRILL WINDSHIELD TRIM
31	B20015575	1	OUTSIDE WINDSHIELD - RH
32	B20015576	1	OUTSIDE WINDSHIELD-LH
32	B2005347	2	INFRARED FRAME
33	B2005278	1	ROTISSERIE ROLLER BRACKET (PHASE 2)
35	PB040124	1	90 DEG. ORIFICE FITTING
36	PB040160	1	WOK IGNITER
37	PB040280	1	FLEXIBLE ROTISSERIE IGNITOR
38	032871-000	1	SHELF, BQ42, 304, SST
39	PB060052	1	ROTIS SPIT ROD 53
40	PB060058	2	SPIT FORK
41	PB010210	1	FULL THERMOCOUPLE
42	PC020025	2	DRIP TRAY WHEEL
45	PD020056	5	NO.10-24 X 1/2 PH.TR. M.S. SS
46	PD020082	2	10 X 24 COUNTERSUNK S.S. SCREW
47	PD030048	1	THERMOCOUPLE NUT M08-VGBQ-8743300007
48	PK020016	1	ROTIS. GEAR BOX ASSY



Ref #	Part Number	Qty.	Description
1	020051-000	7	SCR, DR, PHLP,PNH, 410SS, NPLT, 10-16 X 1/2
2	026550-000	2	ENDCAP, SPRT COVER
3	026554-000	1	BRACKET, ROTIS MAIN BODY
4	032600-000	2	PLATE, COVER, ENDCAP
5	032650-000	1	BRACKET, PNL, BACK, SUPPORT
6	PB060055	1	ROTISSERIE MOUNT CASTING
7	PD010090	2	ROTI FASTENER KNOB
9	PD030064	2	CAPTURE NUT 1/4 NO.20
10	PD040044	1	SNAP THRU BUSHING 1/4DIA CORD
11	PE050046	1	ROTI SWITCH BOOT
12	PE050051	1	ROTI SWITCH
13	PE070184	1	ROTISSERIE MOTOR
17	PE070189	1	ELECTRICAL SUPPLY CORD - BBQ GRILL
NI	026553-000	1	MOTOR, ROTIS, ASM



Ref #	Part Number	Qty.	Description
1	032839-000	1	HOOD PANEL, RH
2	005941-000	1	CANOPY SPRING END MOUNT-LH
3	005942-000	2	SPRING INDEX
4	006779-000	4	NO.6-32 X 1.0 SS FLAT HD SCREW
5	007257-000	2	CANOPY, SPRING, ASSIST- 53
6	007215-000	1	CANOPY SPRING END MOUNT-RH
7	007818-000	2	RETAINER, CANOPY SPRING
8	020659-000	1	GAUGE, BMTL, TEMPERATURE
9	026724-000	1	SPACER, WSHR
10	026965-000	2	END CAP, ASM, DOOR HANDLE
11	032437-000	1	HANDLE, CANOPY, BQ554
12	032469-000	1	PLATE, CANOPY END MOUNT, RH
13	032470-000	1	PLATE, CANOPY END MOUNT, LH
14	032783-000	1	HOOD, INNER, UPPER, BQ554
15	032787-000	1	HOOD INNER, LOWER BQ554
16	032831-000	1	HOOD, OUTER, BQ554
17	032842-000	1	HOOD PANEL, LH
18	PB010304	1	KNOB BEZEL
19	034607-000	2	FASTENER, BOLT, 5/16 - 1-1/2
20	PD020056	2	NO.10-24 X 1/2 PH.TR. M.S. SS
21	014221-000	4	1/4-20 X .625 HEX 316 SS



Ref #	Part Number	Qty.	Description
1	G3005214	1	DRIP TRAY SLIDE - LH
2	035106-000	1	DRIP TRAY SLIDE ASSY RH, 54
3	B2005213	2	DRIP TRAY GUIDE BRACKET (PHASE 2)
4	B2005309	1	DRIP TRAY 41
5	B2005316	1	DRIP TRAY RUNNER RH
6	B2005317	1	DRIP TRAY RUNNER LH (PHASE 2)
7	032344-000	1	HANDLE, DRIP TRAY, 554
8	J2101749	1	GREASE PAN
9	PC020025	4	DRIP TRAY WHEEL
10	PD020055	2	NO.10 X 1/2 PAN PHIL. TEK. SS
11	PD020056	11	NO.10-24 X 1/2 PH.TR. M.S. SS
12	PD020082	4	10 X 24 COUNTERSUNK S.S. SCREW
13	PD030044	5	10-24 KEPS NUT SS
NI	PD040004	2	GROMMET BUMPER

*No Image
Available*

Ref #	Part Number	Qty.	Description
NI	026340-000	1	HARNESS, MAIN, 5304RE2
NI	033590-000	1	HARN, LED, GRILL, 554
NI	G4006379	2	WIRE ASSY (VGBQ-T SERIES) 25
NI	G40016229	1	IGNITOR WIRE 34
NI	G40016230	1	IGNITOR WIRE 40
NI	025323-000	1	HARNESS, WIRE, ROTISSERIE
NI	G40016225	1	IGNITOR WIRE 54
NI	006385-000	1	53 WIRE ASSEMBLY
NI	G4000936	1	GROUND WIRE
NI	PE070036	15	TIE WRAP
NI	035335-000	1	HARNESS, ROTISSERIE 54 GRILL