

This Owner's Manual is provided and hosted by [Appliance Factory Parts](#).



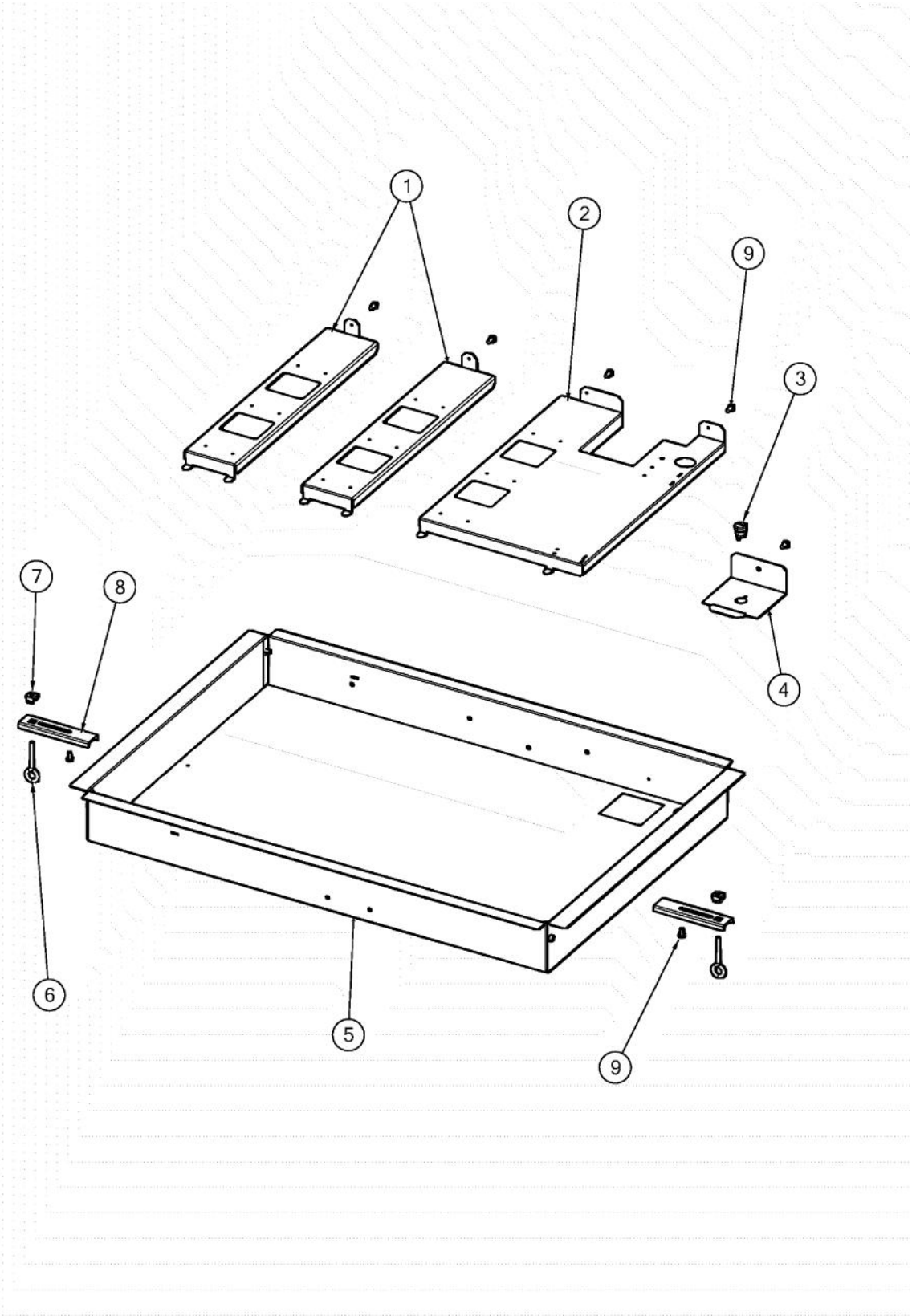
VIKING VGC5305B Owner's Manual

[Shop genuine replacement parts for VIKING VGC5305B](#)

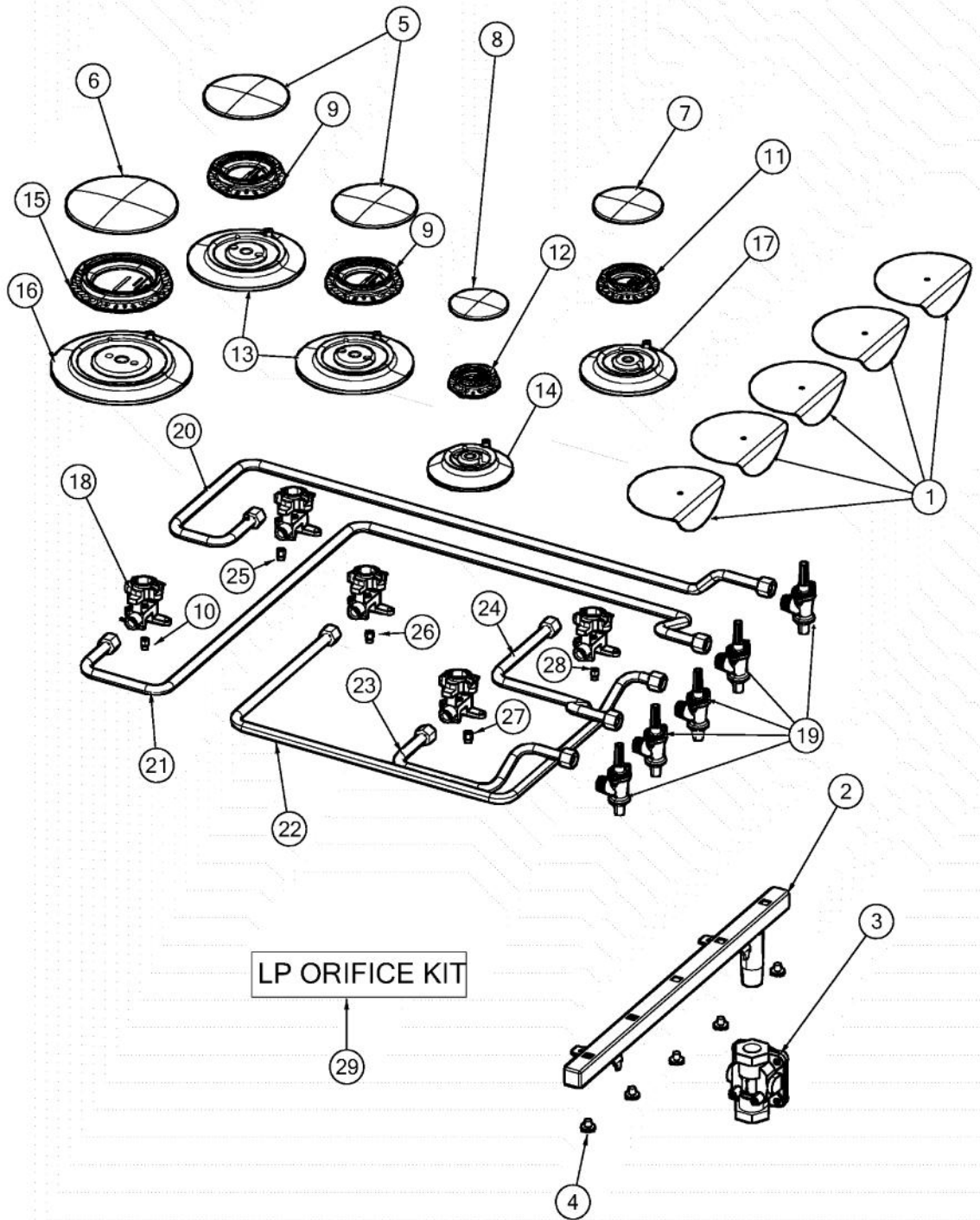


[Find Your VIKING Range Hoods Parts - Select From 411 Models](#)

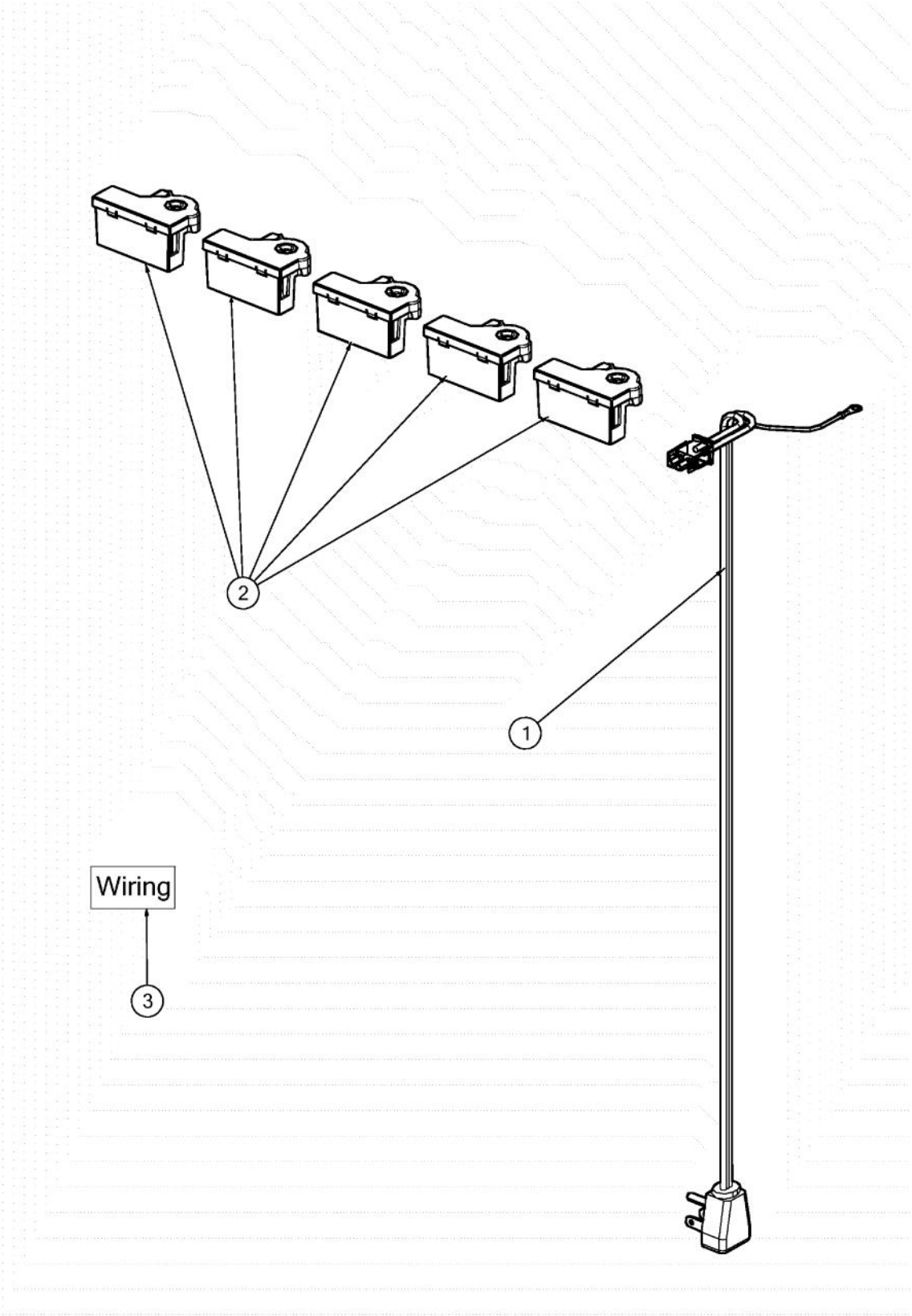
----- Manual continues below -----



Ref #	Part Number	Qty.	Description
1	039675-000	2	BRKT, MTG, BURNER
2	041833-000	1	SUPPORT, BURNER/MANIFOLD (BEFORE 11/18/13)
2	047054-000	1	SUPPORT, BURNER/MANIFOLD (ON OR AFTER 11/18/13)
3	PE070069	1	STRAIGHT-THRU BUSHING
4	039677-000	1	STRAIN RELIEF BRACKET
5	039569-000	1	BOX, BURNER, GAS, 30
6	PD010027	2	EYE BOLT-VGSU101/161
7	PD030029	2	SELF RETAINING NUT (1/4-20)
8	038618-000	2	BRACKET, HOLD
9	PD020004	7	10X3/8PH.HD.TYPE 25 REPL PD040125



Ref #	Part Number	Qty.	Description
1	019955-000	5	SHIELD, WTR
2	039012-000	1	MANIFOLD, GAS, 30 COOKTOP
3	PA070004	1	PRESSURE REG.(NAT.) RV47L-77-5.0
3	PA070005	1	PRESSURE REG.(LP) RV47L-77-10.0
4	PD010012	5	VALVE BOLT 1/4-20 UNC-2B 5/16 M.S.
5	PA080107	2	DGRT-C BURNER CAP- BLACK
6	PA080083	1	D BURNER CAP XMATTE BLACKX
7	PA080105	1	DGRT-B BURNER CAP- BLACK
8	PA080103	1	DGRT-A BURNER CAP- BLACK
9	PA080101	2	DGRT-C COMPLETE BURNER HEAD ASSEMBLY
10	044706-000	1	ORIFICE, STD .079 DIA
11	PA080100	1	DGRT-B COMPLETE BURNER HEAD ASSEMBLY
12	PA080099	1	DGRT-A COMPLETE BURNER HEAD ASSEMBLY
13	PB050070	2	C-BASE
14	PB050072	1	A-BASE
15	PA080102	1	DGRT-D COMPLETE BURNER HEAD ASSEMBLY
16	PB050069	1	D-BASE
17	PB050071	1	B-BASE
18	PB050067	5	JETHOLDER
19	039678-000	5	VALVE, COOKTOP
20	040396-000	1	TUBING, ASM, LEFT REAR
21	040393-000	1	TUBING, ASM, LEFT FRONT
22	040385-000	1	TUBING, ASM, CENTER
23	040380-000	1	TUBING, ASM, RIGHT FRONT
24	040382-000	1	TUBING, ASM, RIGHT REAR
25	PB040255	1	NO.52 NAT
26	PB040255	1	NO.52 NAT
27	PB040274	1	NO.58 LP
28	044707-000	1	ORIFICE, STD .051 DIA
NI	PD020159	10	DGSU BURNER BASE SCREW



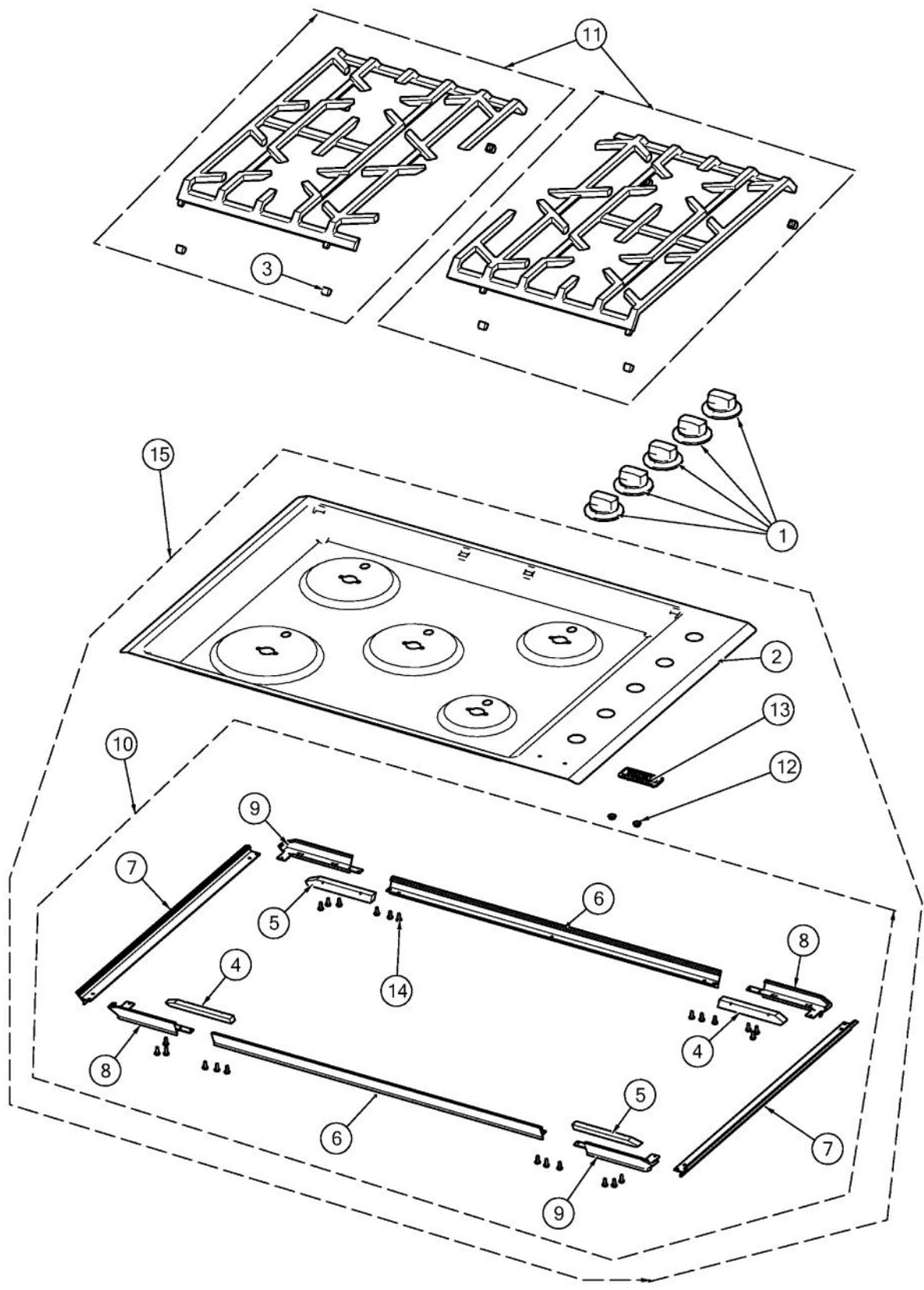
Wiring

3

2

1

Ref #	Part Number	Qty.	Description
1	040603-000	1	CORD, ASM, POWER
2	035795-000	5	MODULE, IGN, GAS,SNGL
3	044860-000	1	HARNESS, IRIS, VGC5305B/5366B
3	000647-000	1	IRIS IGNITOR WIRE, FRONT BURNER
3	006766-000	2	IRIS IGNITOR WIRE, BACK BURNER
3	019654-000	2	XL IGNITOR HARNESS



Ref #	Part Number	Qty.	Description
1	036416-000	5	KNOB,ASSY VGSU CR3
2	038364-000	1	30 GAS COOKTOP SS
3	039134-000	8	NOT IN THE BOM
4	042118-000	2	FILLER, TRIM, RR, LF
5	042119-000	2	FILLER, TRIM, RF, LR
6	042120-000	2	EXTR, FRONT, GAS, 30
7	042122-000	2	EXTRUSION, END
8	042123-000	2	TRIM, CORNER CAP, RR, LF
9	042124-000	2	TRIM, CORNER CAP, RF, LR
10	042126-000	1	FRAME, ASM, 30 GAS
11	042747-000	2	GRATE, ASM, 30
12	PD030006	2	CAPPED WASHER PAL NUT
13	040029-000	1	LOGO, COOKTOP
14	PD020062	24	NO.8-32 X 3/8 PHMS TYPE 1
15	039560-000	1	COOKTOP ASSY - VGC5305BSS