

This Owner's Manual is provided and hosted by [Appliance Factory Parts](#).



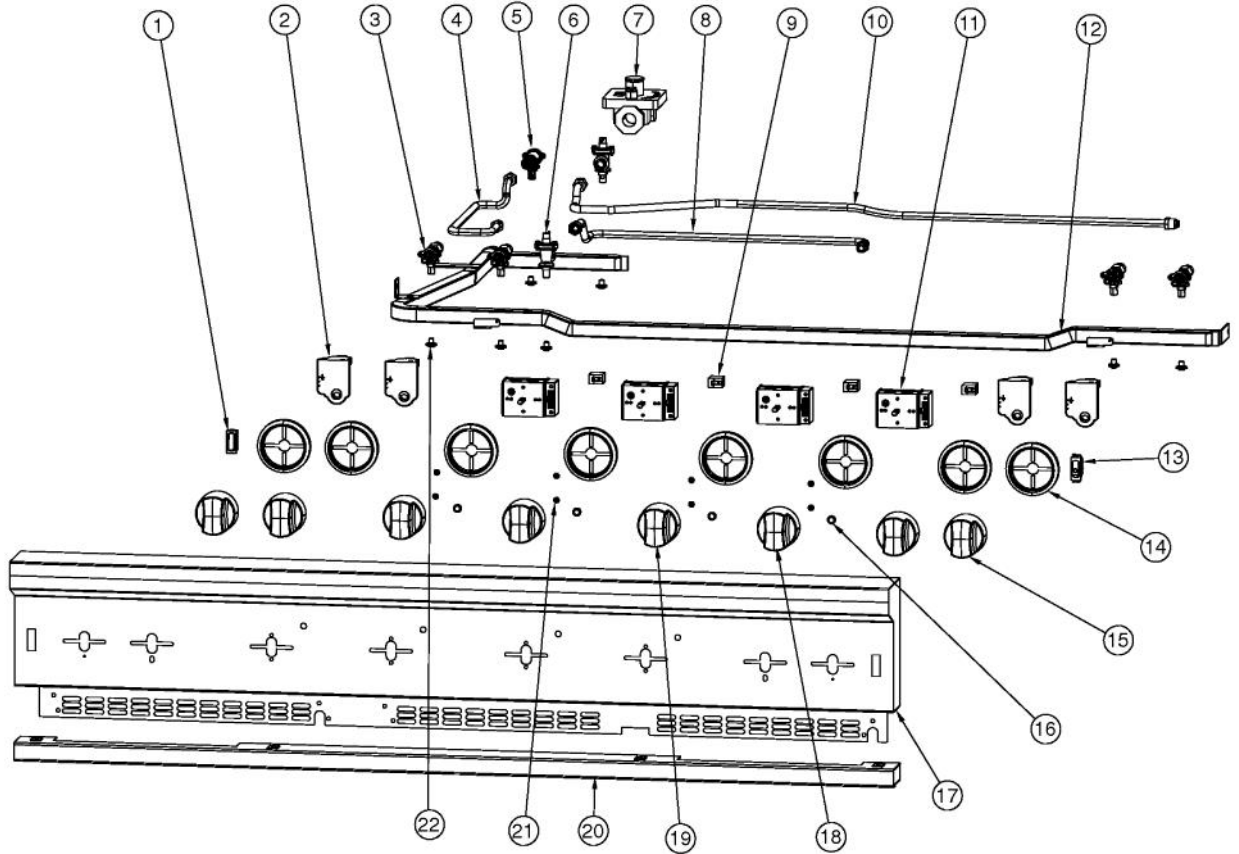
# VIKING VGCC548-4G Owner's Manual

[Shop genuine replacement parts for VIKING  
VGCC548-4G](#)

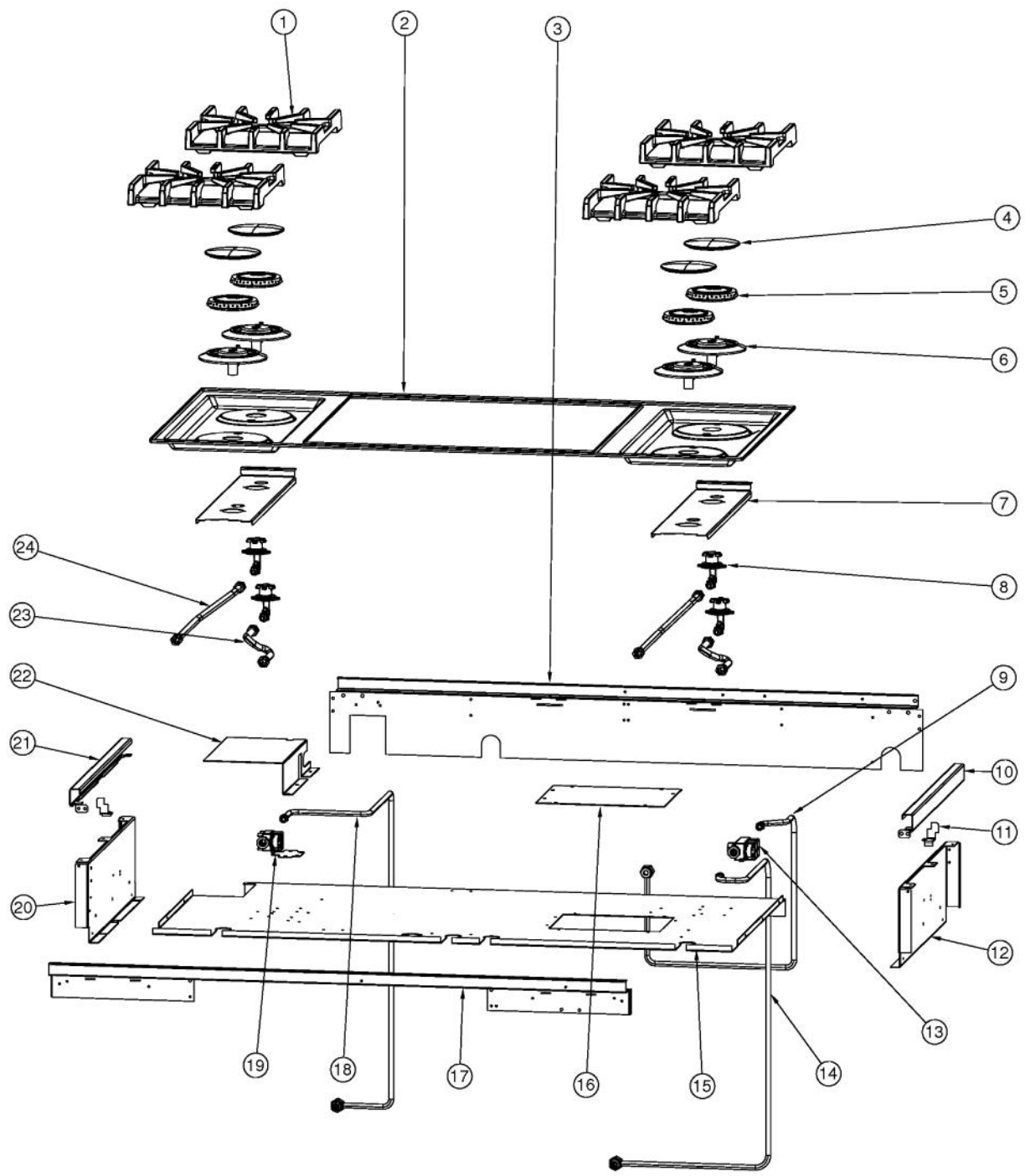


[Find Your VIKING Range Hoods Parts - Select From 411 Models](#)

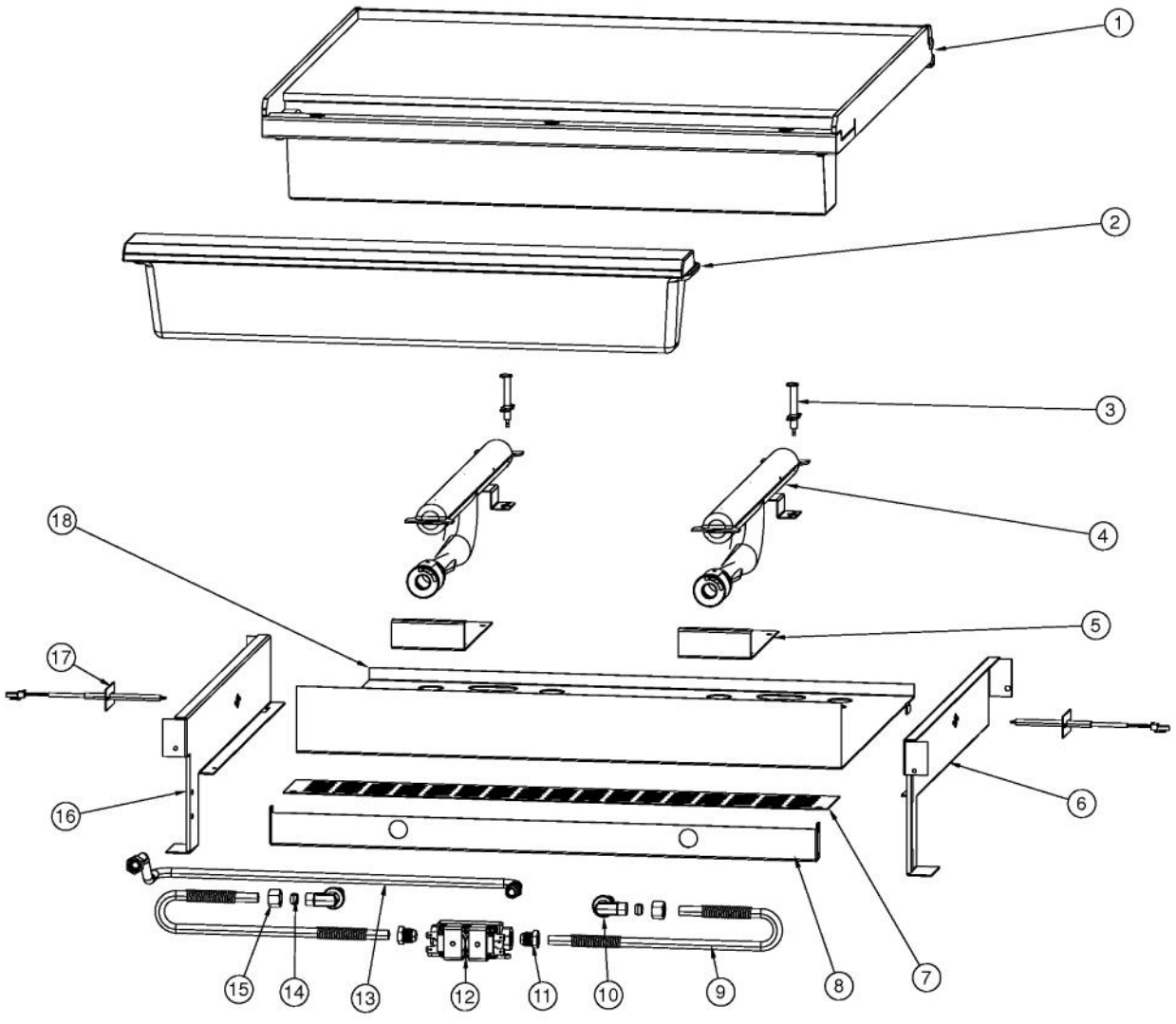
----- Manual continues below -----



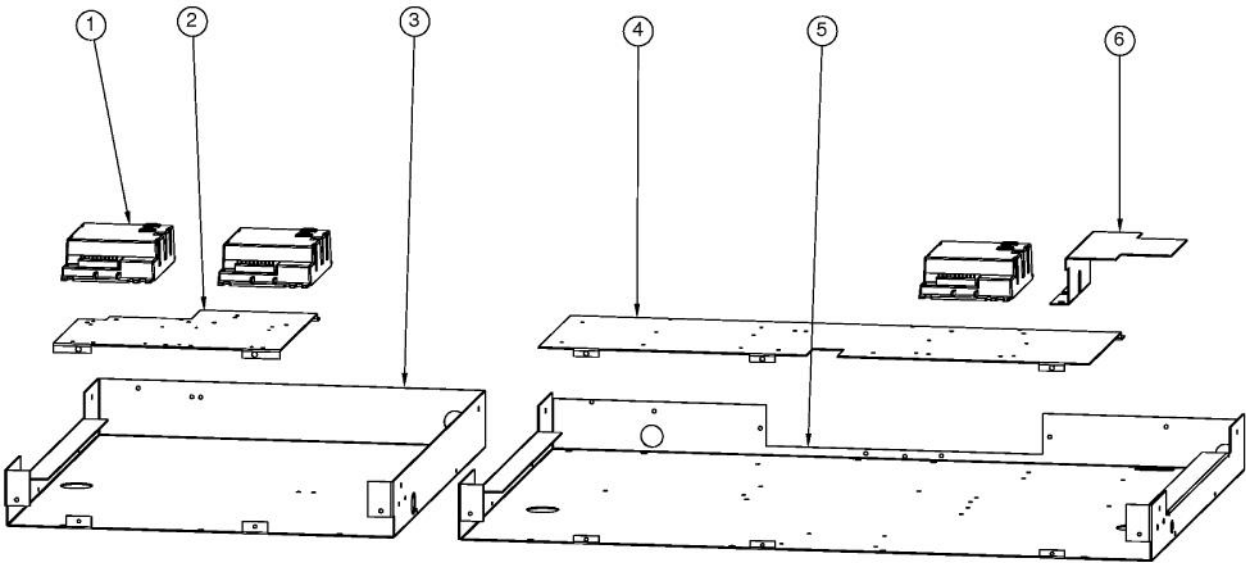
Ref #	Part Number	Qty.	Description
1	003719-000	1	OVEN LIGHT SWITCH, BLACK
2	PA020058	4	IRIS SINGLE SPARK MODULE
3	006015-000	4	VALVE, BRS, SEALED TOP - ISPHORDING
4	011695-000	1	TUBING, VALVE TO MANIFOLD, 6Q/8B ASSY
5	013320-000	1	VALVE, SHUTOFF, 90 DEGREE
6	PB030007	2	SHUT OFF VALVE
7	PA070003	1	PRESSURE REGULATOR (NAT.)
7	013386-000	1	LP PRESSURE REGULATOR
8	026037-000	1	TUBING, GRIDDLE VALVE
9	PE050024	4	OVEN IND. LIGHT (LIGHT HOUSING)
10	011570-000	1	TUBING, VALVE TO VALVE ASSY
11	038413-000	4	TSTAT, SMPS, ELEC, 2-POS, .91 SHAFT, CB
12	025869-000	1	MANIFOLD, VGCC/VGSC548-4G
13	006355-000	1	SPLASHPROOF ROCKER SWITCH
14	PB010304	8	KNOB BEZEL
14	PB010304PVD	8	RESTYLE KNOB BEZEL, BR
15	005269-000	4	RANGE TOP BURNER KNOB-BRUSHED, SSS BEFORE 12/20/12
15	035881-000	1	KNOB, BNR, TOP PRO CR3 AFTER (12/20/12)
16	PE050023	4	OVEN IND. LIGHT (LENS & BEZEL)
17	025894-2306	1	CTRL, PNL, ASM VGCC548-4G W/GRAPHICS
18	008416-000	1	KNOB, THERMOSTAT, NO.3 SSS, ASM, VGCC BEFORE 12/20/12
18	035893-000	1	KNOB,OVN,TSTAT, PRO VDSC/VESC CR3 AFTER (12/20/12)
19	006570-000	3	KNOB, GRDL/(LH OVEN), ASM, PVD, NO.3, SSS BEFORE 12/20/12
19	035883-000	3	KNOB,GRDL,PRO CR3 AFTER (12/20/12)
20	011717-000	1	TRIM ASM
21	PD010028	8	BOLT M 4X5
22	PD010012	7	VALVE BOLT 1/4-20 UNC-2B 5/16 M.S.
NI	033879-000	1	VGCC548 SERVICE BLOWER KIT



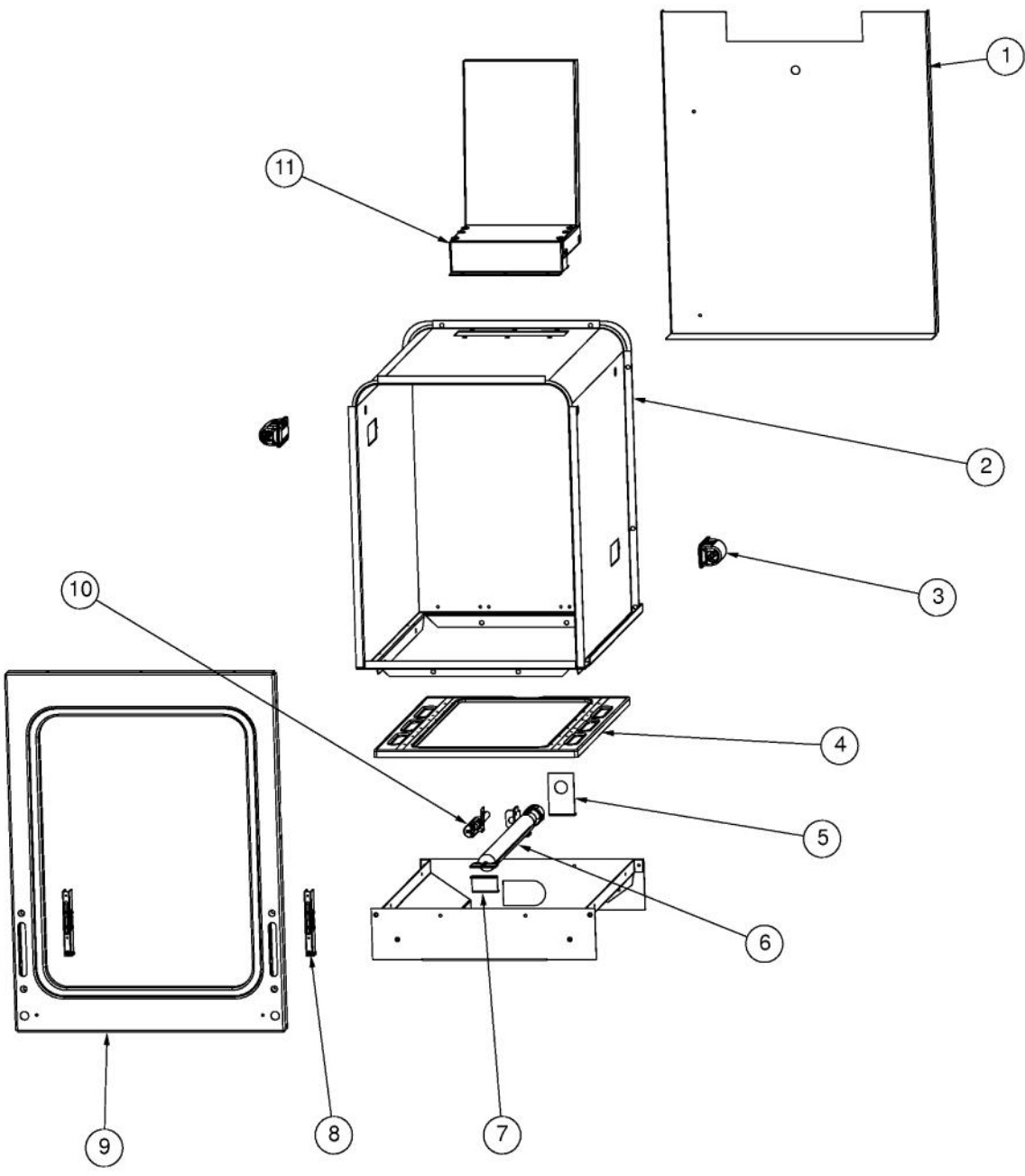
Ref #	Part Number	Qty.	Description
1	007323-000	4	BURNER GRATE
2	E2109804	1	48 SEALED TOP
3	008609-000	1	SUPPORT, BACK
4	PA080083	4	D BURNER CAP XMATTE BLACKX
5	006706-000	4	B6 REV SEALED BURNER
6	003322-041	4	SEALED BURNER BASE, PAINTED FINISH
7	002923-000	2	BURNER MODULE SUPPORT
8	001394-042	4	15000 BTU NAT JETHOLDER
8	001394-046	4	12.5 K BTU LP JETHOLDER
9	011608-000	1	TUBING, VALVE TO BROIL ASSY
10	002920-000	1	SIDE TRIM, RH - STAINLESS
11	004021-000	2	SUPPORT, TRIM, SIDE
12	002755-000	1	BURNER BOX SIDE, RH
13	009112-000	1	VALVE, SOL, DOUBLE
14	011545-000	1	TUBING, MAIN, 48 OVEN ASSY
14	013296-000	1	TUBING, MAIN, 48 OVEN ASM (LP)
15	008450-000	1	PANEL, CTR
16	009268-000	1	PLATE, SHORT FAN COVER
17	025758-000	1	SUPPORT, FRONT
18	009821-000	1	TUBING, 18 OVEN ASSY
18	013297-000	1	TUBING, 18 OVEN ASM (LP)
19	009111-000	1	VALVE, SOL, SINGLE
20	003481-000	1	BURNER BOX SIDE, LH
21	003649-000	1	SIDE TRIM, LH - STAINLESS
22	012965-000	1	COVER, SOL, LRG
23	PB020192	2	10 FLEX TUBING W/CONNECTORS
24	PB020193	2	16 FLEX TUBING W/CONNECTORS
NI	001396-000	4	NATURAL GAS ORIFICE
NI	005990-000	4	1.10 MM LP BTU ORIFICE



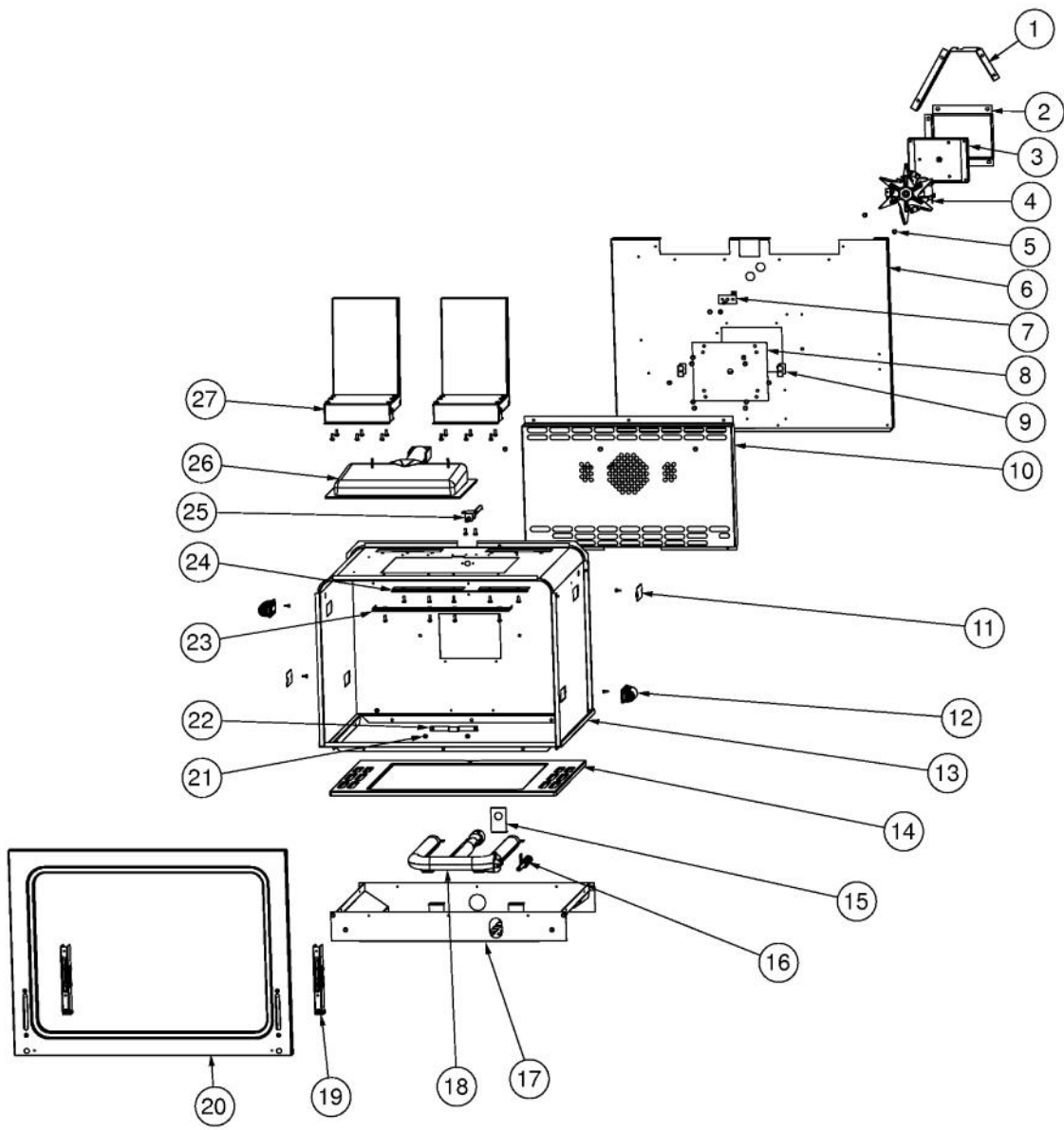
Ref #	Part Number	Qty.	Description
1	040248-000	1	24 GRIDDLE, ASM
2	025750-000	1	TROUGH, GRIDDLE, ASM, 24
3	PA020028	2	SPARK IGNITER
4	013888-000	2	GRIDDLE, BURNER, ASM, NAT, W/IGNITOR BRACKET
4	013889-000	2	GRIDDLE, BURNER, ASM, LP, W/IGNITOR BRACKET
5	006785-000	2	GRIDDLE, BOX, VENTURI, COVER
6	016295-000	1	SIDE, GRILL BOX, RH
7	027489-000	1	SHIELD, WIRE
8	026113-000	1	GRIDDLE ORIFICE BRKT
9	PB020126	2	3/8` S.S. FLEX TUBING 15` (DGPU)
10	PB040190	2	90 DEGREE ORIFICE FITTING NO.50 NAT
10	002513-000	2	90 DEGREE ORIFICE FITTING NO.57 LP
11	PB040050	2	3/8CC MALE COMP. FITTING W/FERRULE
12	009112-000	1	VALVE, SOL, DOUBLE
13	026037-000	1	TUBING, GRIDDLE VALVE
14	PB040049	2	3/8 XBRX FERRULE (FOR 3/8CC FEMALE
15	PB040051	2	3/8CC FEMALE COMP. FITTING
16	016293-000	1	GRIDDLE SUPPORT, LEFT
17	PE050206	2	RTD THERMOSTAT PROBE
18	026114-000	1	GRIDDLE, BOX, BTM, 24



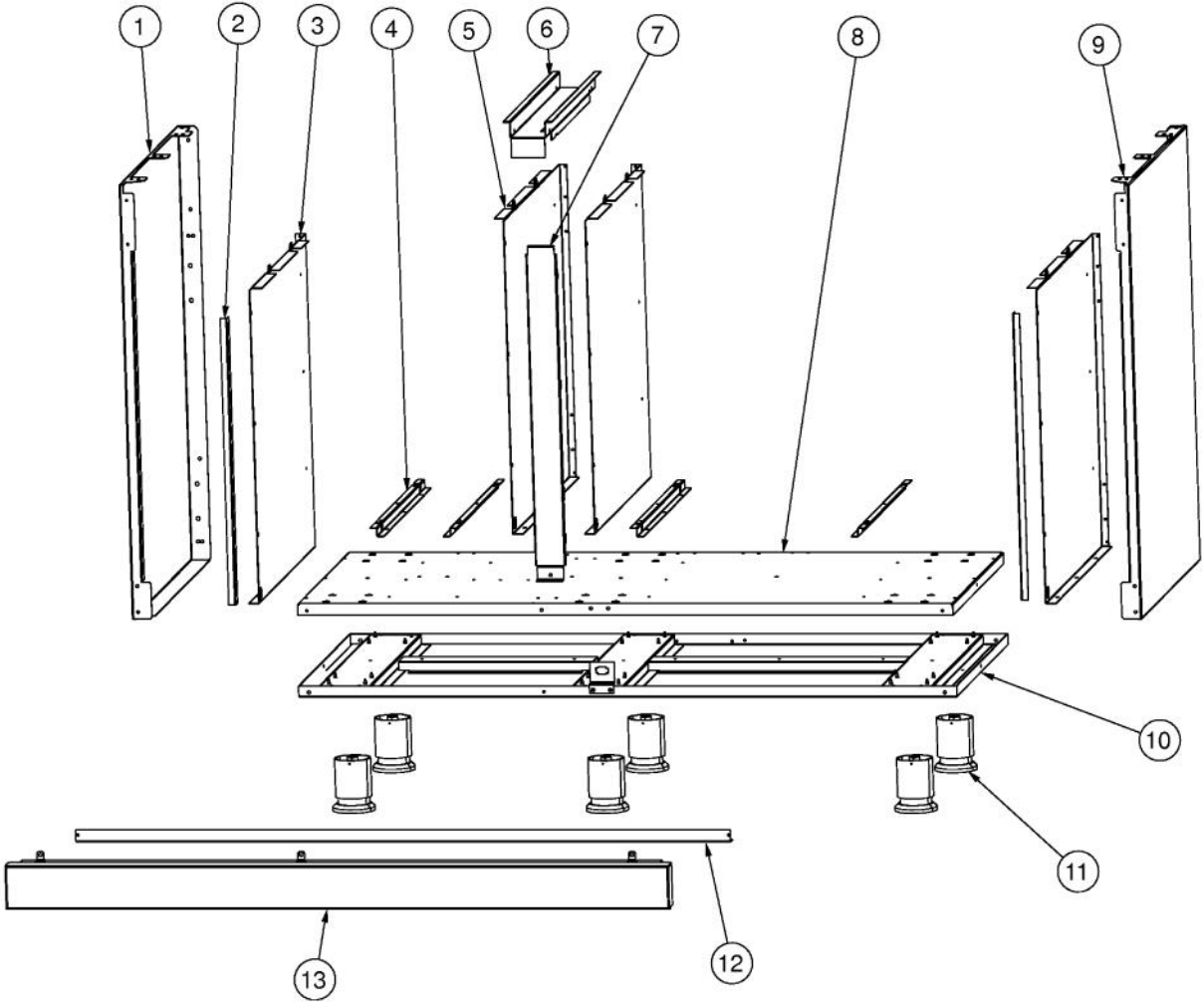
Ref #	Part Number	Qty.	Description
1	023651-000	3	DSI120 LONG PURGE
2	008011-000	1	36 ELECTRONIC PLATE
3	007374-000	1	TOP, LH CAB, VGSC 48
4	005315-000	1	TRAY, ELEX, 30, GSC
5	004628-000	1	TOP, CAB
6	010251-000	1	COVER, SOL
NI	030567-000	1	FAN, BLOW, ASM 120V



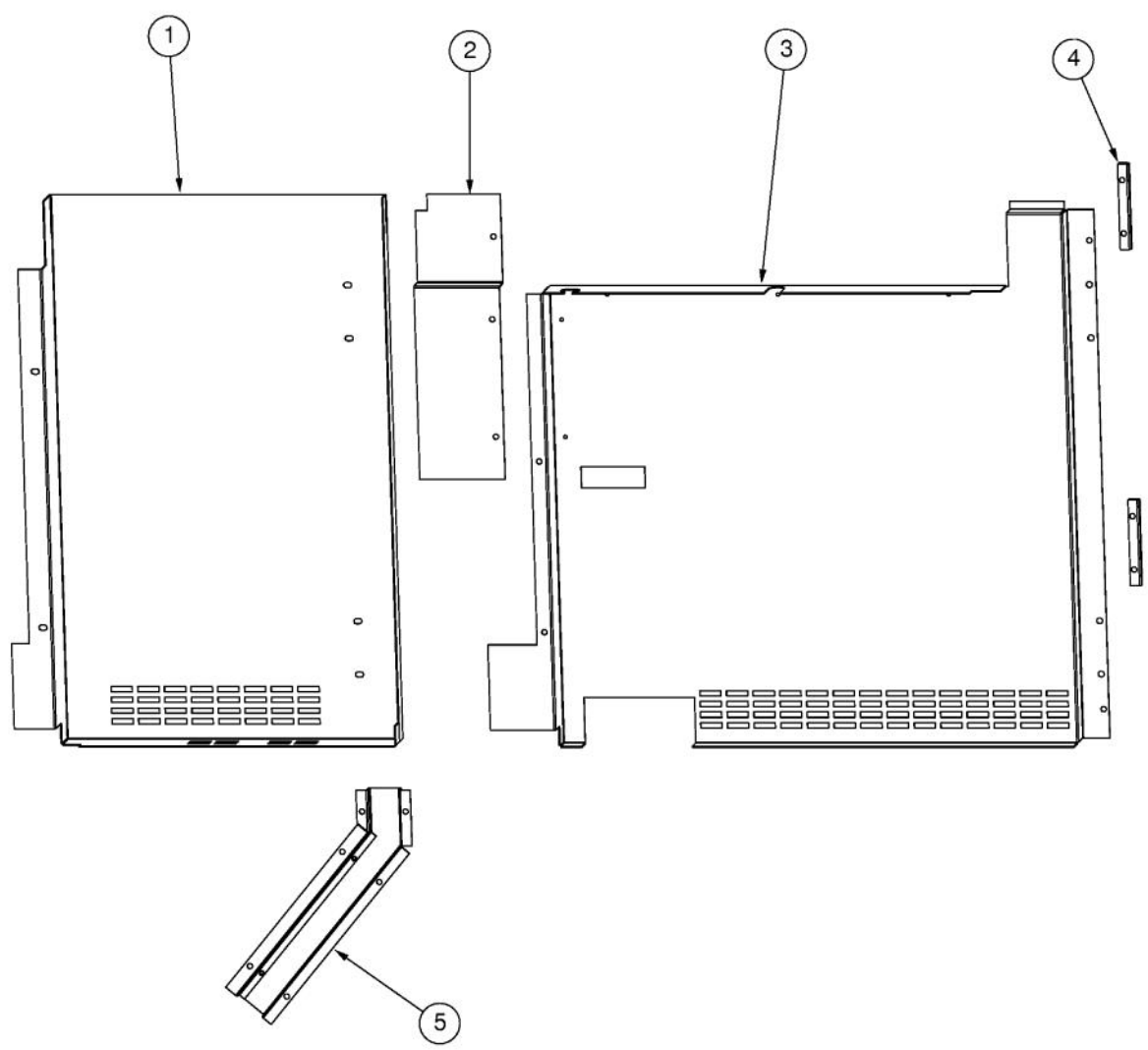
Ref #	Part Number	Qty.	Description
1	007705-000	1	COVER, INSIDE BACK, VGSC 18
2	UNSERVICEABLE	1	OVEN CAVITY, ASM 36
3	005311-000	2	120V/25W HALOGEN LIGHT
4	G3205588	1	OVEN BOTTOM PAN ASSY 48LH
5	005529-000	1	BAKE ORIFICE MTG BRKT (BEFORE 2/11/13)
5	040736-000	1	BRKT, ORF (ON OR AFTER 2/11/13)
6	009225-000	1	BURNER ASM, NAT.
6	009464-000	1	BURNER ASM, LP
7	B2004415	1	BURNER BRACKET (VGSC306)
8	003060-000	2	HINGE RECEPTACLE, VDSC CUSTOM
9	023093-000	1	FRONT FRAME, ASSY
10	PB040170	1	BAKE IGNITION ELECTRODE
11	006192-000	1	VENT, ASM, OVEN ASSEMBLY
NI	PB040034	1	ORIFICE HOOD-NO.50 (NAT)
NI	PB040036	1	ORIFICE HOOD-NO.57 (LP)



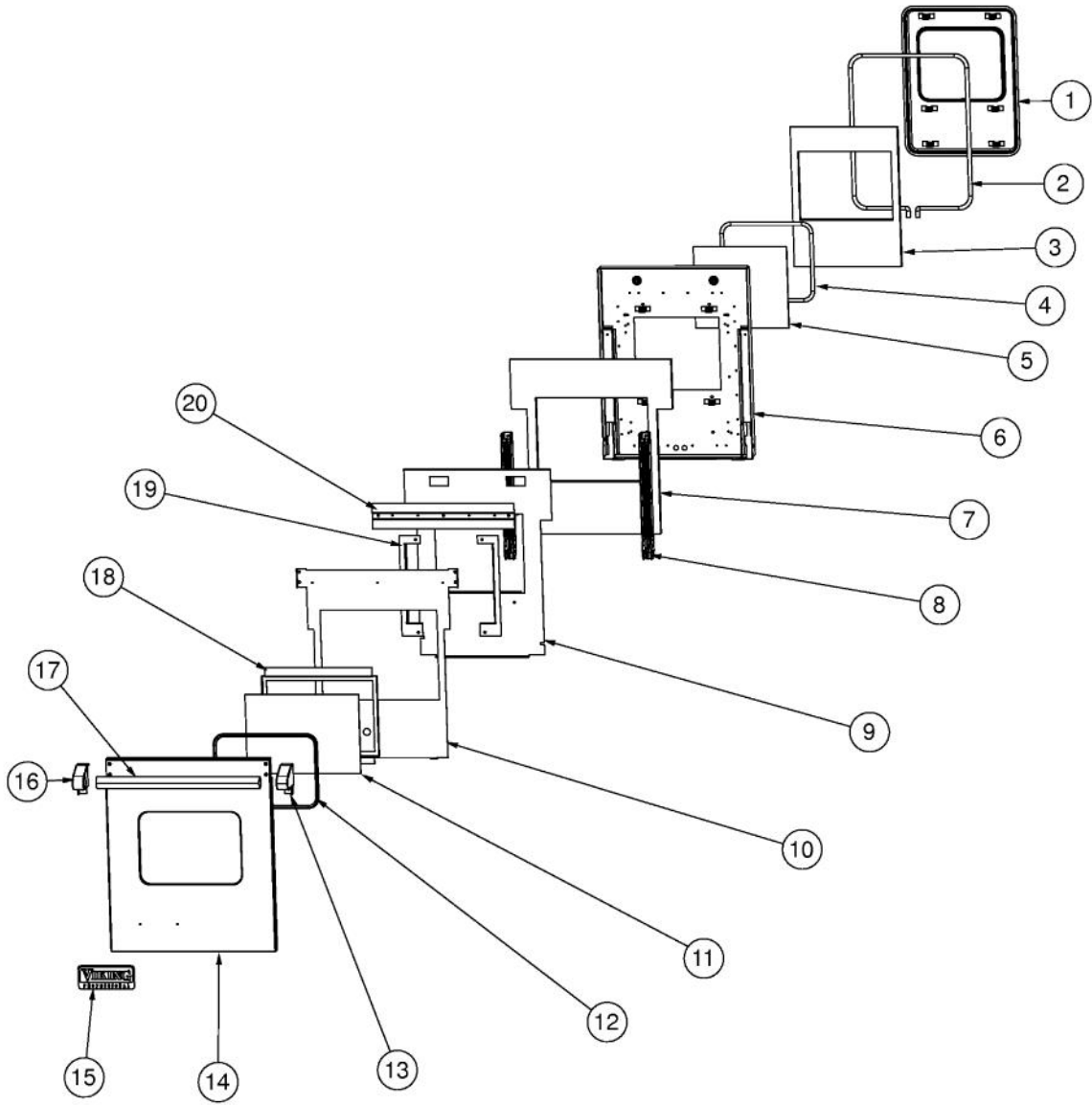
Ref #	Part Number	Qty.	Description
1	006946-000	1	SHIELD, BRL, EXHAUST
2	A2008467	1	INSULATION SHIELD
3	031735-000	1	BOX, INSUL., FAN (BEFORE 8/31/11)
3	023090-000		MOTOR, CONV ASM? (ON OR AFTER 8/31/11)
4	PE050057	1	CONVECTION FAN (VGSC306) (BEFORE 8/31/11)
4	023090-000	1	MOTOR, CONV ASM? (ON OR AFTER 8/31/11)
5	PD020048	41	NO.10 X 1/2 TEK 410 SS SCREW
6	004626-000	1	PANEL, BACK, INSULATION, 30
7	PE050206	1	RTD THERMOSTAT PROBE
8	015612-000	1	COVER, FAN
9	A2001361	2	BACK SPACER (VGSC/VGSS)
10	G9104482	1	CONVECTION FAN COVER ASSY (VGSC306)
11	E91012614	2	LIGHT HOLE COVER
12	005311-000	2	120V/25W HALOGEN LIGHT
13	UNSERVICEABLE	1	OVEN CAVITY, ASM 36
14	G9104438	1	OVEN BOTTOM PAN ASSY (VGSC306)
NI	A2004439	1	OVEN BOTTOM SHIELD (VGSC306)
15	005529-000	1	BAKE ORIFICE MTG BRKT (BEFORE 2/11/13)
15	040736-000	1	BRKT, ORF (ON OR AFTER 2/11/13)
16	PB040170	1	BAKE IGNITION ELECTRODE
17	005102-000	1	BURNER PAN ASSEMBLY
18	005329-000	1	BURNER, OVEN, ASM
18	005330-000	1	BURNER, OVEN, ASM (LP)
19	003060-000	2	HINGE RECEPACLE, VDSC CUSTOM
20	005373-000	1	30 FRONT FRAME WELD ASSY
21	M0210443	2	SCREW-E SM
22	A2004428	1	REAR BOTTOM BRCKT (VGSC306) (BEFORE 8/31/11)
23	B2001448	1	IR BROIL SUPT (FRONT)
24	B2005589	1	REAR BROILER BRACKET
25	PB040171	1	BROIL IGNITION ELECTRODE
26	G3001876	1	IR BURNER ASSY (VGSC/RC) N/S
27	006192-000	2	VENT, ASM, OVEN ASSEMBLY
NI	PB040073	1	ORIFICE HOOD-NO.37
NI	PB040035	1	ORIFICE HOOD-NO.51 9701B1651
NI	PB040040	1	ORIFICE-IR BURNER (VGSC)
NI	PB040027	1	IR BUR.SPUD ORF. - NO.56 LP



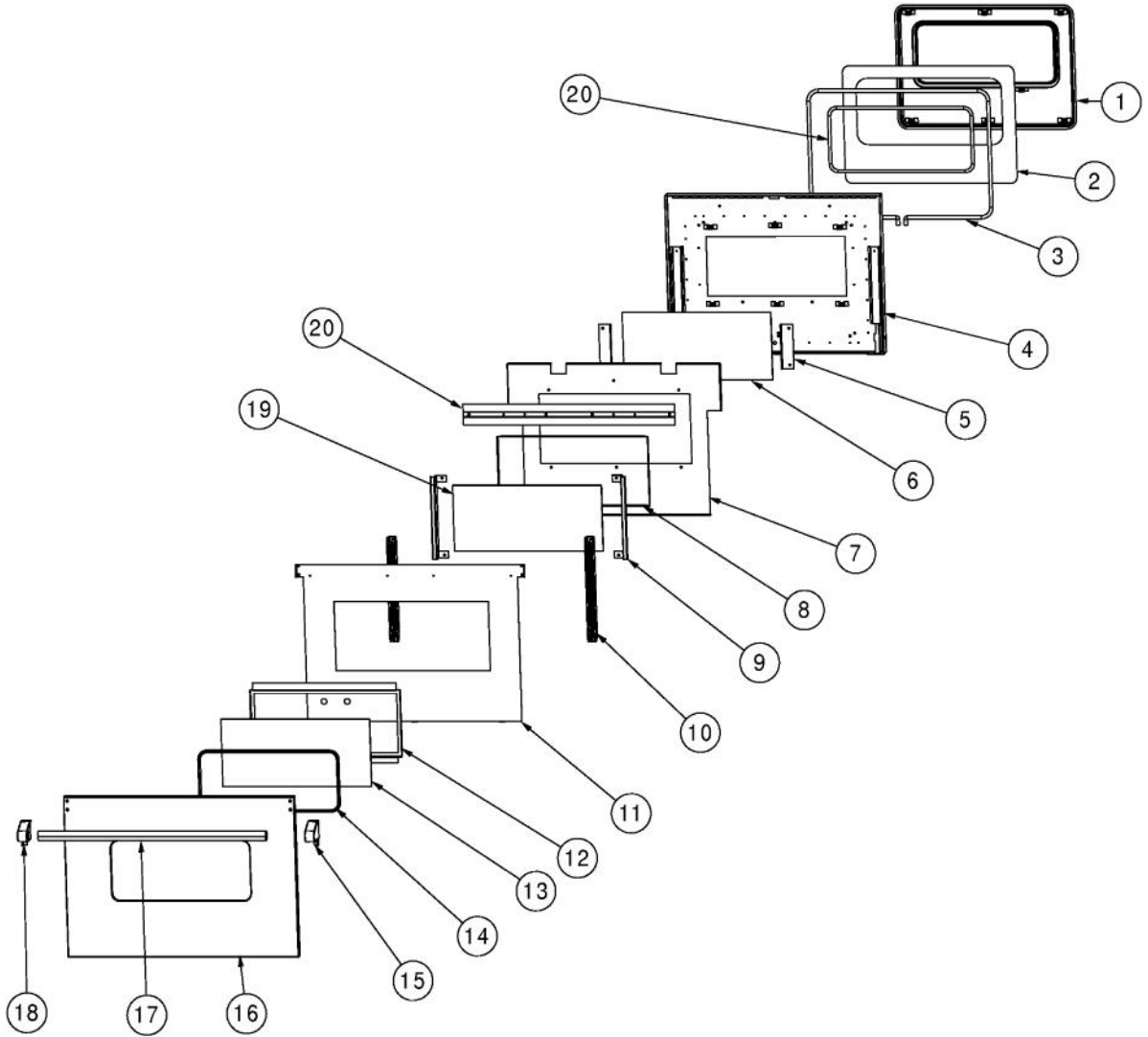
Ref #	Part Number	Qty.	Description
1	003588-000	1	SIDE PANEL, LH
2	005536-000	2	TRIM
3	004482-000	2	INSULATION, PNL, SIDE, LH
4	A2004429	4	OVEN BOTTOM INSUL. BRACE (VGSC306)
5	004479-000	2	INSULATION, PNL, SIDE, RH
6	008638-000	1	OVEN DIVIDER
7	009820-000	1	TRIM, CTR, GAS 48 ASM
8	007193-000	1	BASE TOP PLATE
9	002905-000	1	SIDE PANEL, RH, SST
10	007198-000	1	BASE ASSEMBLY, VGCC/SC548
11	PC030031	6	ADJUSTABLE LEG
12	009280-000	1	SPACER, BOT, 48 GAS RANGES
13	009568-000	1	KICKPLATE, RNG, SST, VDSC 48
13	009630-002	1	KICKPLATE, RNG, BK
13	009630-003	1	KICKPLATE, BT
13	009630-004	1	KICKPLATE, VGSC548, SG
13	009630-005	1	KICKPLATE, RNG - GG
13	009630-006	1	KICKPLATE, RANGE - WH
13	009630-008	1	KICKPLATE, VGSC548, BU
13	009630-010	1	KICKPLATE, VGSC548, MJ
13	009630-012	1	KICKPLATE, VGSC548, VB
13	009630-013	1	KICKPLATE, RNG CB
13	009630-015	1	KICKPLATE, VGSC548, PL
13	009630-016	1	KICKPLATE, VGSC548, CH
13	009630-017	1	KICKPLATE, VGSC548, TP
13	009630-018	1	KICKPLATE, VGSC548, CW
13	009630-021	1	KICKPLATE, VGSC548, SA
13	009630-022	1	KICKPLATE, VGSC548, SE
13	009630-023	1	KICKPLATE, VGSC548, IB
13	009630-024	1	KICKPLATE, RANGE - AR
13	009630-025	1	KICKPLATE, VGSC548, RR



Ref #	Part Number	Qty.	Description
1	007701-000	1	COVER, 18 BACK VGSC
2	006962-000	1	COVER, INL, BACK
3	032123-000	1	CABINET, BACK
4	006744-000	2	STANDOFF, CAB, VGSC
5	006949-000	1	DUCT, AIR, ASM



Ref #	Part Number	Qty.	Description
1	000943-000	1	PLUG, DOOR, WELD 48 LH
2	000080-000	1	48 LH DOOR GASKET
3	PB070145	1	SUPERWOOL 5 X 24 X 3`
4	000594-000	1	BLACK FIBERGLASS ROPE 3/8
5	PE060032	1	GLASS (HEAT BARRIER) LH DF48DOOR
6	007221-000	1	LINER, DOOR, WELD ASM
7	PB070145	1	SUPERWOOL 5 X 24 X 3`
8	013303-000	2	HINGE, DOOR, VR 18 YELLOW SPRING
9	007202-000	1	DOOR, INNER HEAT SINK, VGCC/SC 48 LH
10	007222-000	1	PANEL, INSL, DOORSKIN, VGSC 18
11	PE060049	1	GLASS LH XTEX DF48DOOR
12	PE060046	1	J-MOLD LH SS (DF48 DOOR)
13	003012-000	1	DOOR HANDLE ENDCAP ASSY, RH (CHROME)
13	003012-100	1	DOOR HANDLE ENDCAP ASSY, RH (BRASS)
14	007203-000	1	SKIN, LH DOOR, VGSC 48
15	PE010030	1	LOGO, 6, PRO, BK
15	PE010068	1	LOGO, 6, PRO, BK/BR
16	003011-000	1	DOOR HANDLE ENDCAP ASSY, LH (CHROME)
16	003011-100	1	DOOR HANDLE ENDCAP ASSY, LH (BRASS)
17	006221-000	1	18 DOOR HANDLE, SST
18	008336-000	1	FRAME, GL
19	009830-000	2	RETAINER, INSL, LH
20	006225-000	1	BRACKET, DOOR, ASM, MT, VDSC 18



Ref #	Part Number	Qty.	Description
1	000935-000	1	PLUG, DOOR, WELD
2	002560-000	1	30 DOOR PLUG INSULATION
3	000042-000	1	30 DOOR GASKET
4	004691-000	1	LINER, DOOR, ASM, ASSY, GSC
5	A2002189	2	DOOR GLASS STANDOFF (VDSC)
6	PE060039	1	GLASS-HEAT TREATED (HB2) VDSC
7	004688-000	1	PANEL, INSL, DOOR, LINER
8	007583-000	1	BRACKET, GLASS
9	004687-000	1	BRACKET, WDO
10	002740-000	2	MANSFIELD HINGE, BLUE SPRING
11	004684-000	1	PANEL, DOOR, INSULATION, GSC
12	008097-000	1	FRAME, GLASS, ALUMINUM
13	PE060030	1	GLASS-OUTER DOOR BK SCREENED,TEMP
14	PE060031	1	J-MOLD (LARGE WINDOW)
15	003012-000	1	DOOR HANDLE ENDCAP ASSY, RH (CHROME)
15	003012-100	1	DOOR HANDLE ENDCAP ASSY, RH (BRASS)
16	008183-000	1	PANEL, DOOR 30 W/NO LOGO, SS
17	002728-000	1	DOOR HANDLE - SS, 1.25 OD
18	003011-000	1	DOOR HANDLE ENDCAP ASSY, LH (CHROME)
18	003011-100	1	DOOR HANDLE ENDCAP ASSY, LH (BRASS)
19	PE060030	1	GLASS-OUTER DOOR BK SCREENED,TEMP
20	006553-000	1	DOOR BRACKET, WELD ASSY
21	000594-000	1	BLACK FIBERGLASS ROPE 3/8

*No Image  
Available*

Ref #	Part Number	Qty.	Description
NI	000647-000	2	IRIS IGNITOR WIRE, FRONT BURNER
NI	006766-000	3	IRIS IGNITOR WIRE, BACK BURNER
NI	PE070892	1	IRIS HARNESS - 60
NI	007298-000	4	BAKE IGNITOR WIRE, ASM
NI	006765-000	1	BROIL IGNITOR WIRE ASM
NI	025994-000	1	HARNESS, 48 VGCC
NI	009822-000	1	CONTROL PANEL HARNESS, VGCC548-4GQ/6G
NI	027582-000	1	WIRE HARNESS, GRIDDLE VGCC548-4G?
NI	027587-000	1	HARNESS, T/STAT, VGCC548-4G
NI	027588-000	1	HARNESS, OVEN T/STAT, VGCC548-4G
NI	009475-000	2	GRIDDLE RTD HARNESS
NI	013408-000	2	GRIDDLE HEADER
NI	G4000936	2	GROUND WIRE
NI	PE070036	1	TIE WRAP
NI	G4008493	1	SUPPLY CORD ASSY- VGSU
NI	M0104106	5	CLIP-CORD VM0104106
NI	030292-000	2	RTD JUMPER
NI	043836-000	1	48 SPILL GUTTER KIT 2 (FOR UNITS MANUFACTURED BEFORE 1/9/13)
NI	015357-000	2	IGNITOR, W/WIRE