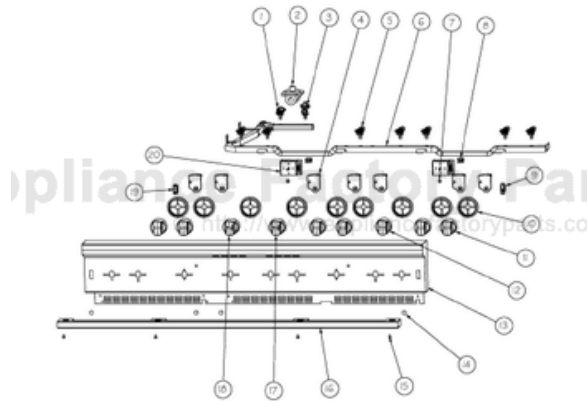


This Owner's Manual is provided and hosted by [Appliance Factory Parts](#).



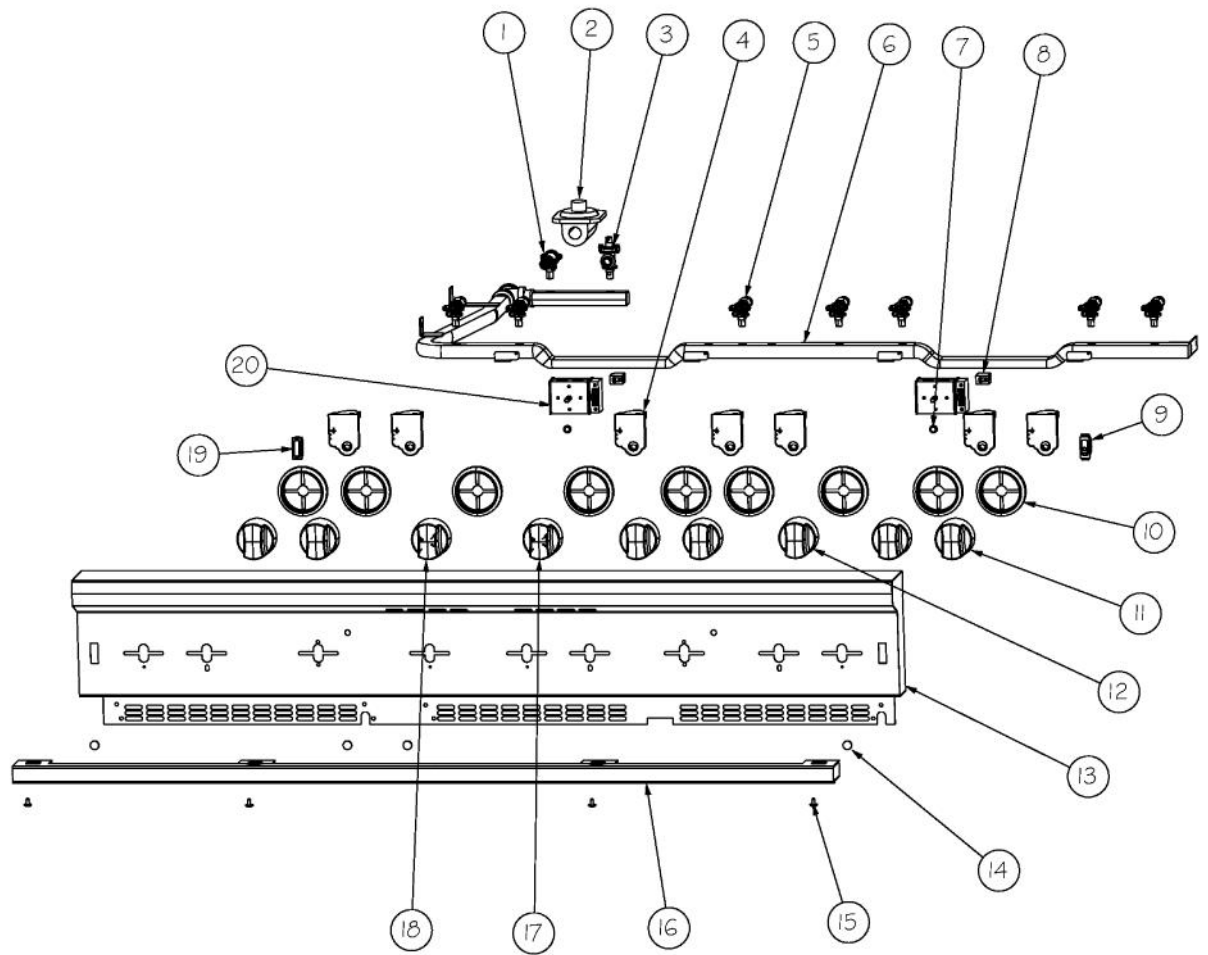
VIKING VGCC548-6Q Owner's Manual

[Shop genuine replacement parts for VIKING VGCC548-6Q](#)

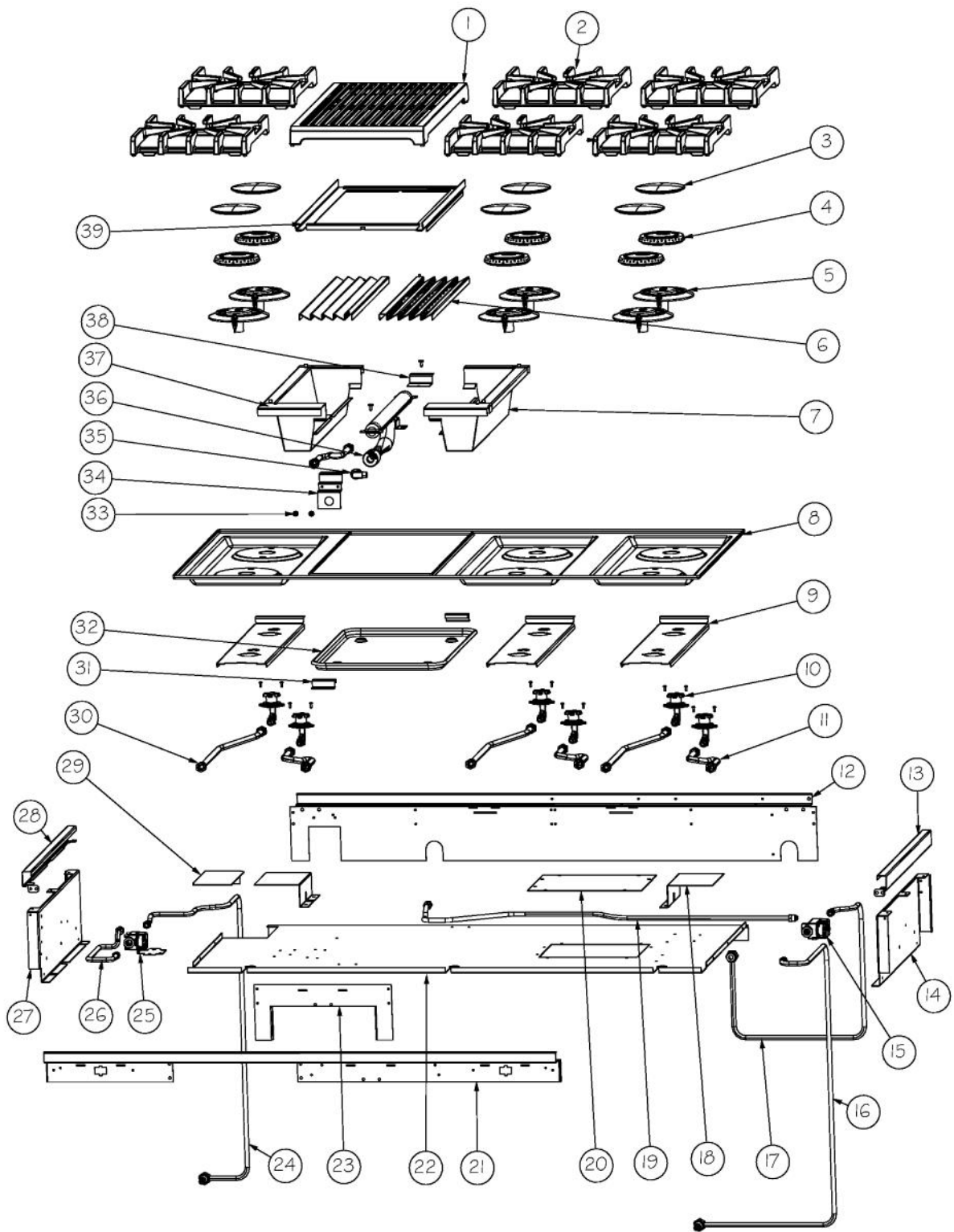


[Find Your VIKING Range Hoods Parts - Select From 411 Models](#)

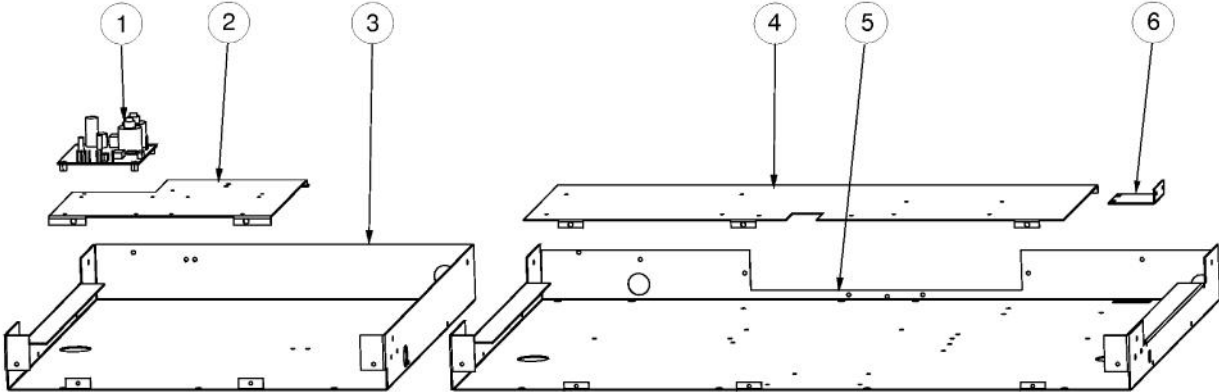
----- Manual continues below -----



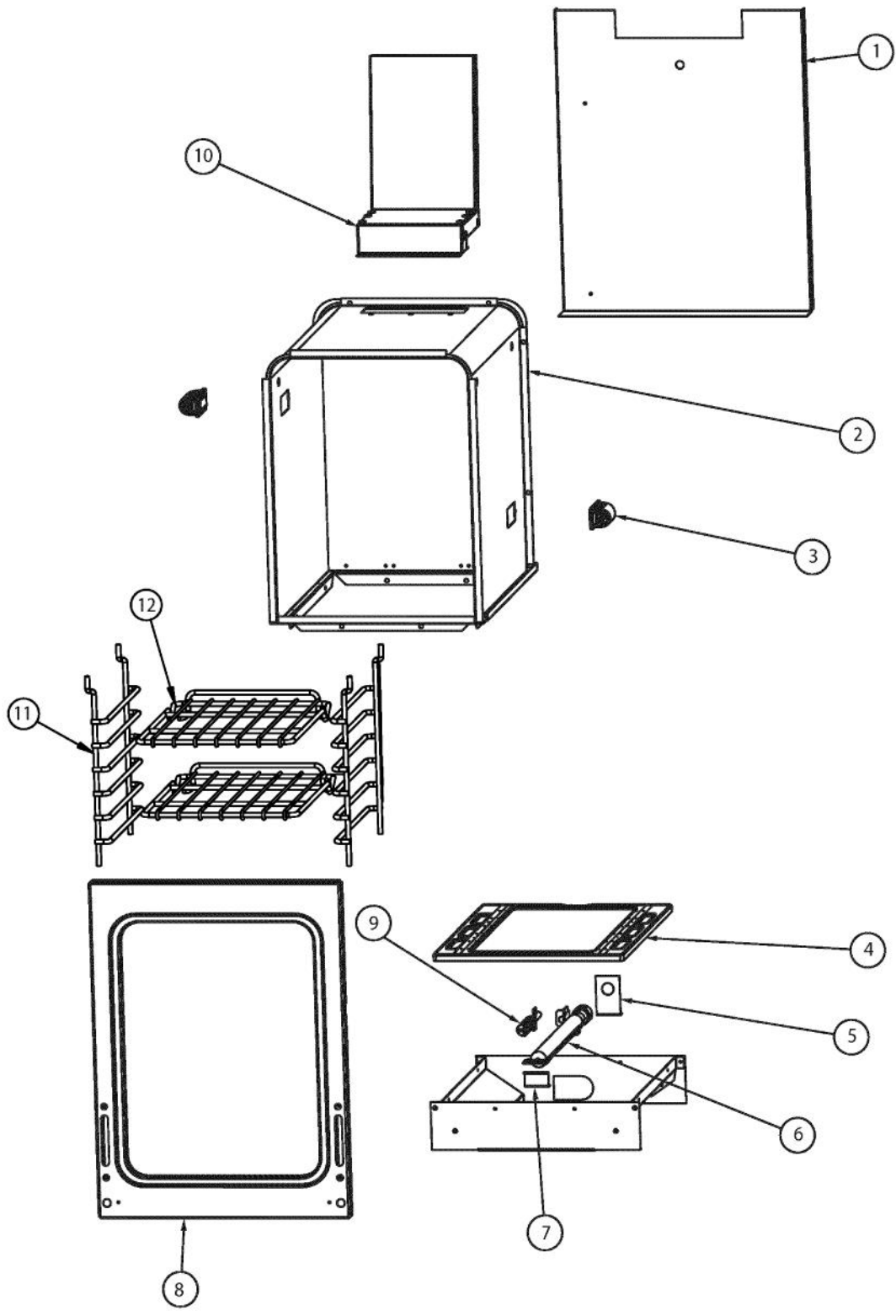
Ref #	Part Number	Qty.	Description
1	013320-000	1	VALVE, SHUTOFF, 90 DEGREE
2	PA070003	1	PRESSURE REGULATOR (NAT.)
3	PB030007	1	SHUT OFF VALVE
4	PA020058	7	IRIS SINGLE SPARK MODULE
5	006015-000	7	VALVE, BRS, SEALED TOP - ISPHORDING
6	012794-000	1	MANIFOLD,ASM,48 8B/6Q
7	PE050023	2	OVEN IND. LIGHT (LENS & BEZEL)
8	PE050024	2	OVEN IND. LIGHT (LIGHT HOUSING)
9	006355-000	1	SPLASHPROOF ROCKER SWITCH
10	PB010304	9	KNOB BEZEL
11	005269-000	6	RANGE TOP BURNER KNOB-BRUSHED, SSS BEFORE 12/20/12
11	035881-000	6	KNOB, BNR, TOP PRO CR3 AFTER (12/20/12)
12	008416-000	1	KNOB, THERMOSTAT, NO.3 SSS, ASM, VGCC BEFORE 12/20/12
12	035891-000	1	KNOB,OVN,TSTAT, PRO VGCC CR3 AFTER (12/20/12)
13	009086-000	1	PANEL, CTRL, VGCC548-6Q ASM
14	PD040004	4	GROMMET BUMPER
15	PD020032	4	SRW-8(A)X3/8PH.WFR HD 7/16DIAXNICL
16	006424-000	1	HANDLE, DRIP, ASM, SST, VDSC548
17	006574-000	1	KNOB, GRL, ASM, PVD, NO.3, SSS BEFORE 12/20/12
17	035885-000	1	KNOB,GRL,PRO CR3 AFTER (12/20/12)
18	006570-000	1	KNOB, GRDL(LH OVEN), ASM, PVD, NO.3, SSS BEFORE 12/20/12
18	035883-000	1	KNOB,GRDL,PRO CR3 AFTER (12/20/12)
19	003719-000	1	OVEN LIGHT SWITCH, BLACK
20	038413-000	1	TSTAT,SMPS, ELEC, 2-POS, .91 SHAFT, CB
NI	014328-000	1	COVER, RGLR, 48 GAS
NI	033879-000	1	VGCC548 SERVICE BLOWER KIT



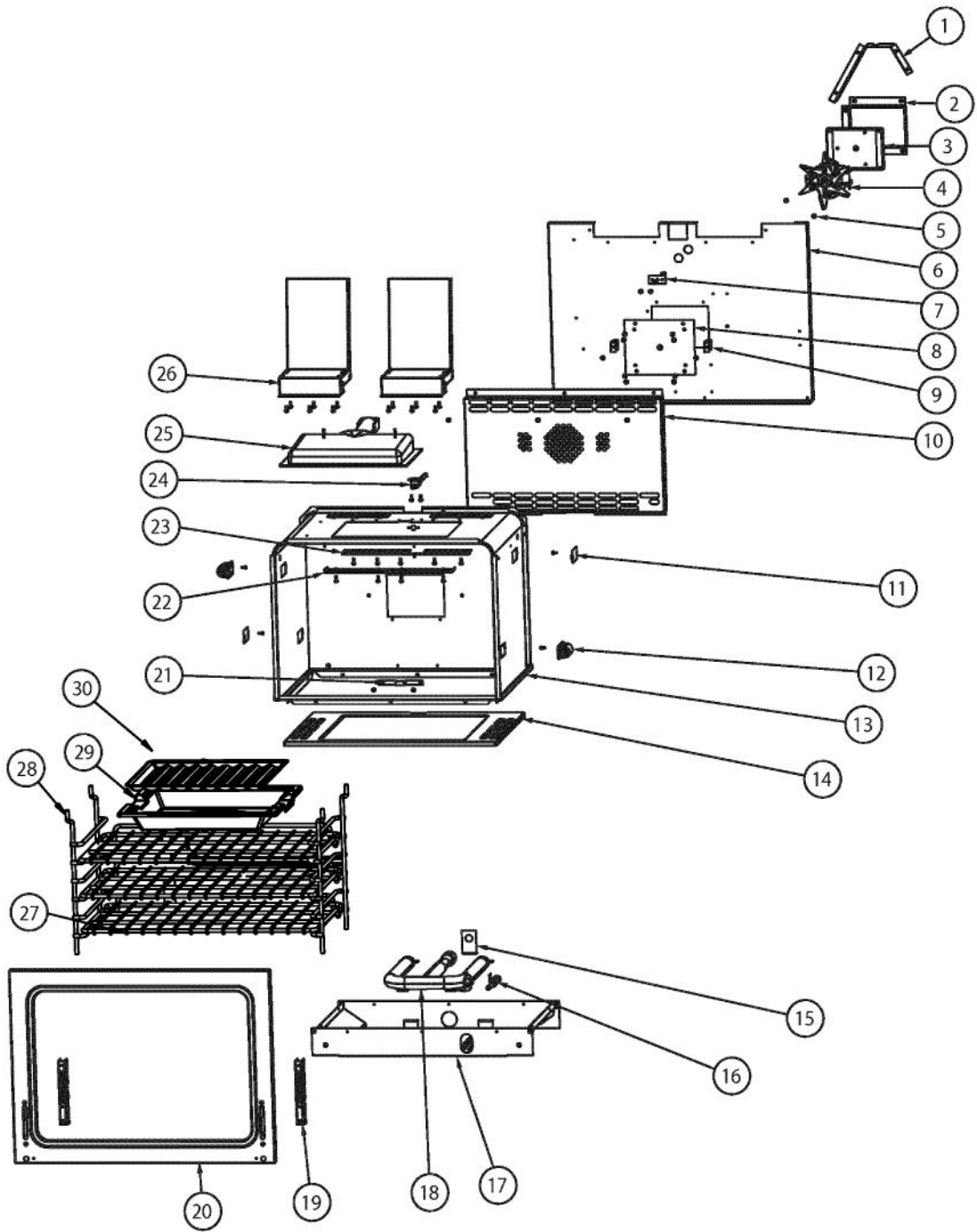
Ref #	Part Number	Qty.	Description
1	010168-000	1	CUSTOM RANGE GRILL GRATE
2	007323-000	5	BURNER GRATE
3	PA080083	6	D BURNER CAP XMATTE BLACKX
4	006706-000	6	B6 REV SEALED BURNER
5	003322-041	6	SEALED BURNER BASE, PAINTED FINISH
6	E9101130BK	2	GRILL SMOKE GENERATOR
7	013593-000	1	PAN, DRIP, ASM, RIGHT
8	E9109801BK	1	48 SEALED COOKTOP 6BG & 6BQ XBKX
9	002923-000	3	BURNER MODULE SUPPORT
10	001394-041	5	18500 BTU NAT JETHOLDER
11	PB020192	3	10 FLEX TUBING W/CONNECTORS
12	008609-000	1	SUPPORT, BACK
13	002920-000	1	SIDE TRIM, RH - STAINLESS
14	002755-000	1	BURNER BOX SIDE, RH
15	009112-000	1	VALVE, SOL, DOUBLE
16	011545-000	1	TUBING, MAIN, 48 OVEN ASSY
17	011608-000	1	TUBING, VALVE TO BROIL ASSY
18	010251-000	2	COVER, SOL
19	011570-000	1	TUBING, VALVE TO VALVE ASSY
20	009268-000	1	PLATE, SHORT FAN COVER
21	008461-000	1	SUPPORT, FRONT
22	008450-000	1	PANEL, CTR
23	008637-000	1	ADAPTER BRACKET, FRONT SUPT
24	009821-000	1	TUBING, 18 OVEN ASSY
25	009111-000	1	VALVE, SOL, SINGLE
26	011695-000	1	TUBING, VALVE TO MANIFOLD, 6Q/8B ASSY
27	003481-000	1	BURNER BOX SIDE, LH
28	003649-000	1	SIDE TRIM, LH - STAINLESS
29	004016-000	1	PLATE,SVCE,RGLT
30	PB020192	3	10 FLEX TUBING W/CONNECTORS
31	008286-000	2	BRACKET,DRIP,PAN,CUSTOM,Q-MODELS
32	PB080061	1	GREASE PAN
33	PD020046	2	NO.8 X 1/2 SCREWS
34	007776-000	1	MOUNT, GRILL, BURNER, FRONT
35	PB040238	1	90 DEGREE ORIFICE FITTING, NAT NO.47
36	007878-000	1	BURNER, GRIL, ASM
37	013595-000	1	PAN, DRIP, ASM, LEFT
38	008636-000	1	BRACKET, BURNER, GRILL, REAR
39	012897-000	1	PLATE, SMK, GENERATOR, ASM
NI	007726-000	1	21 FLEX TUBING W/CONNECTORS



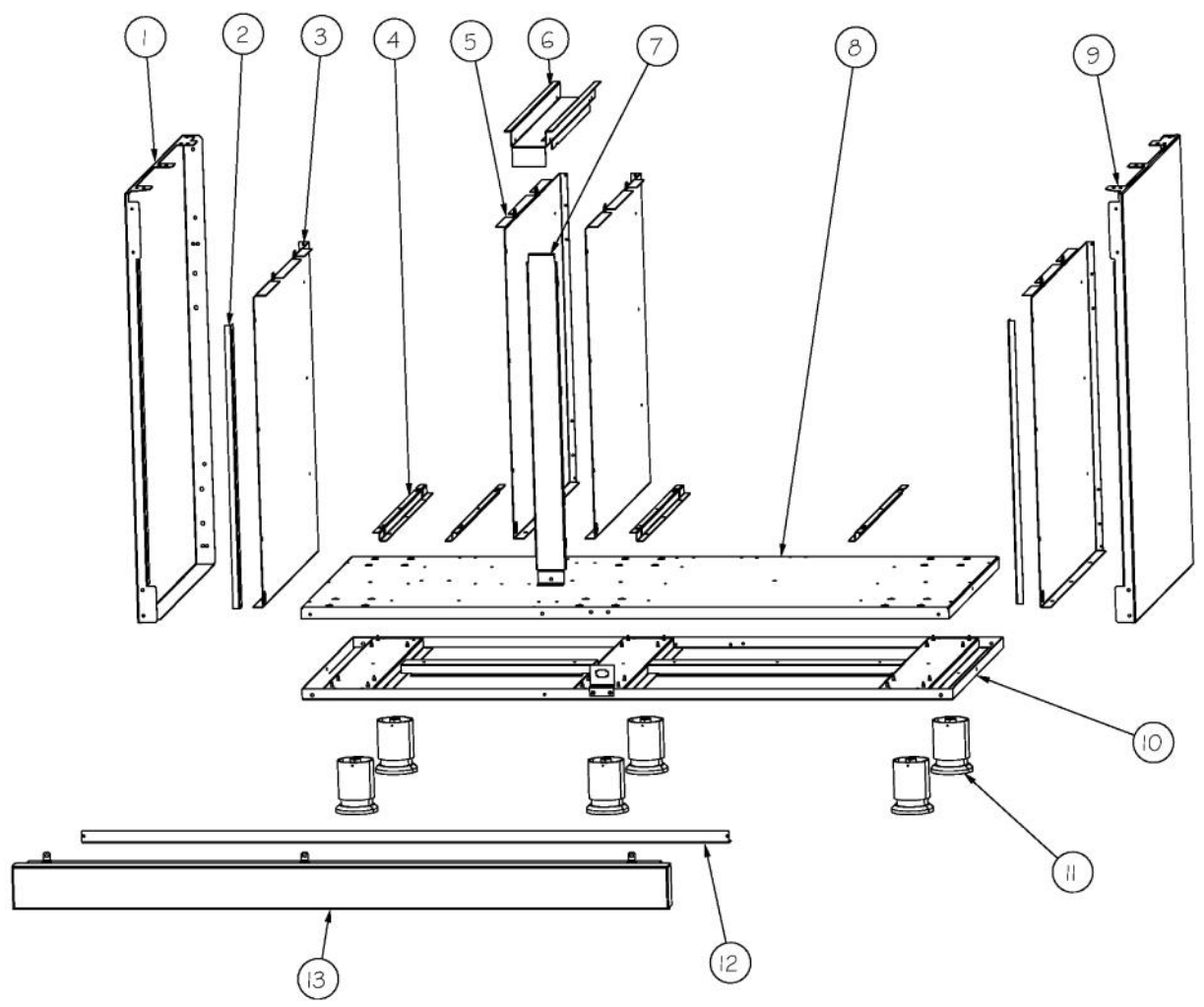
Ref #	Part Number	Qty.	Description
1	PA020056	1	TYTRONICS DSI MODULE (BEFORE 12/29/10)
1	023651-000	1	DSI120 LONG PURGE (ON OR AFTER 12/29/10)
2	008011-000	1	36 ELECTRONIC PLATE
3	007374-000	1	TOP, LH CAB, VGSC 48
4	005315-000	1	TRAY, ELEX, 30, GSC
5	004628-000	1	TOP, CAB
6	A20012649	1	DOOR SWITCH BRACKET
NI	030567-000	1	FAN, BLOW, ASM 120V



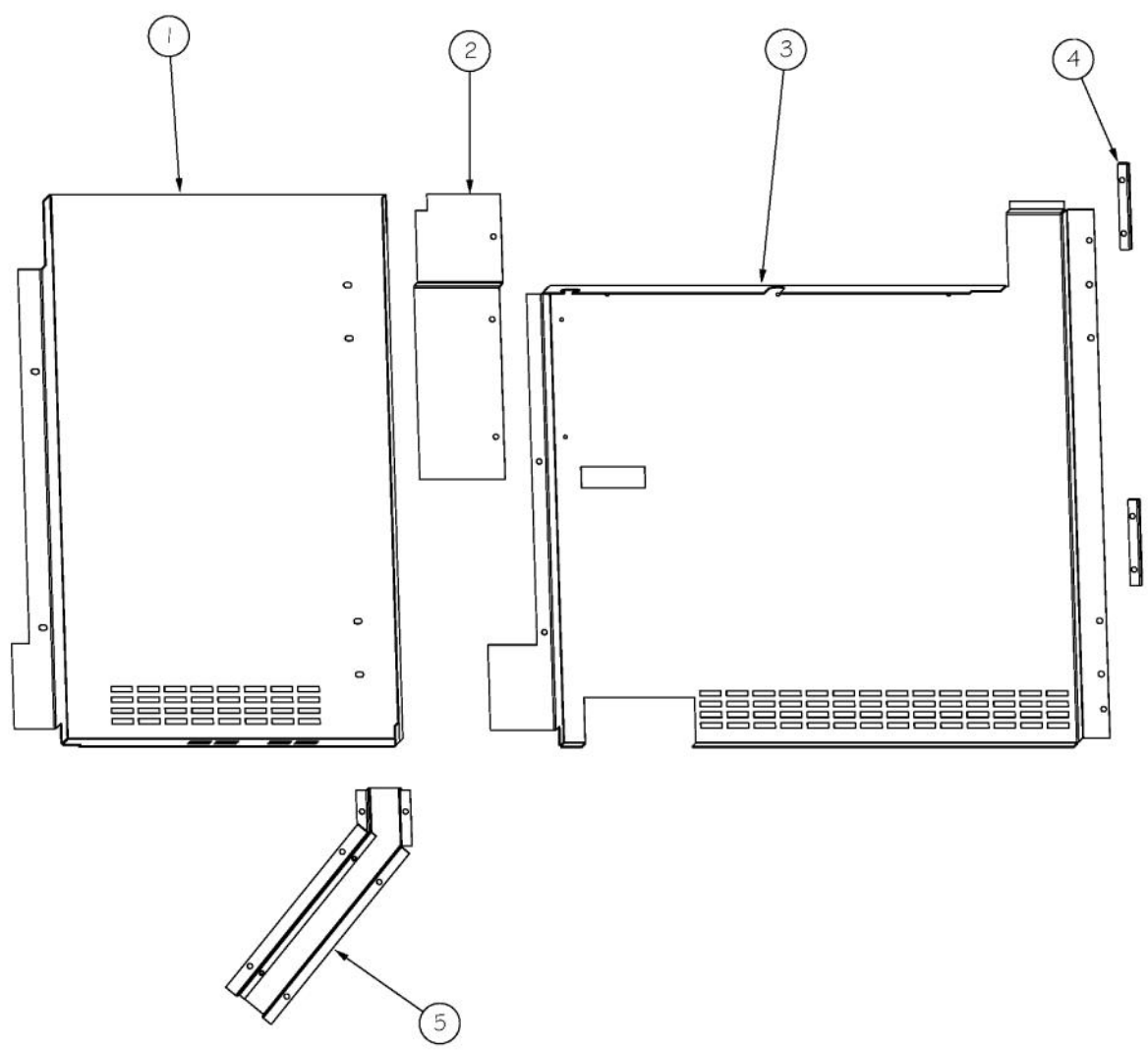
Ref #	Part Number	Qty.	Description
1	007705-000	1	COVER, INSIDE BACK, VGSC 18
2	NON-SERVICEABLE	1	TUB WELDMENT
3	005311-000	2	120V/25W HALOGEN LIGHT
4	G3205588	1	OVEN BOTTOM PAN ASSY 48LH
5	005529-000	1	BAKE ORIFICE MTG BRKT (BEFORE 2/11/13)
5	040736-000	1	BRKT, ORF (ON OR AFTER 2/11/13)
6	009225-000	1	BURNER ASM, NAT.
7	B2004415	1	BURNER BRACKET (VGSC306)
8	023093-000	1	FRONT FRAME, ASSY
9	PB040170	1	BAKE IGNITION ELECTRODE
10	006192-000	1	VENT, ASM, OVEN ASSEMBLY
11	030191-000	2	GUIDE, RACK
12	PB060046	2	OVEN RK VDSC48-LH REPL PB060023
NI	023943-000	1	KIT,FRNT FRAME, BRNR BRKT, DOOR BRKT ASM



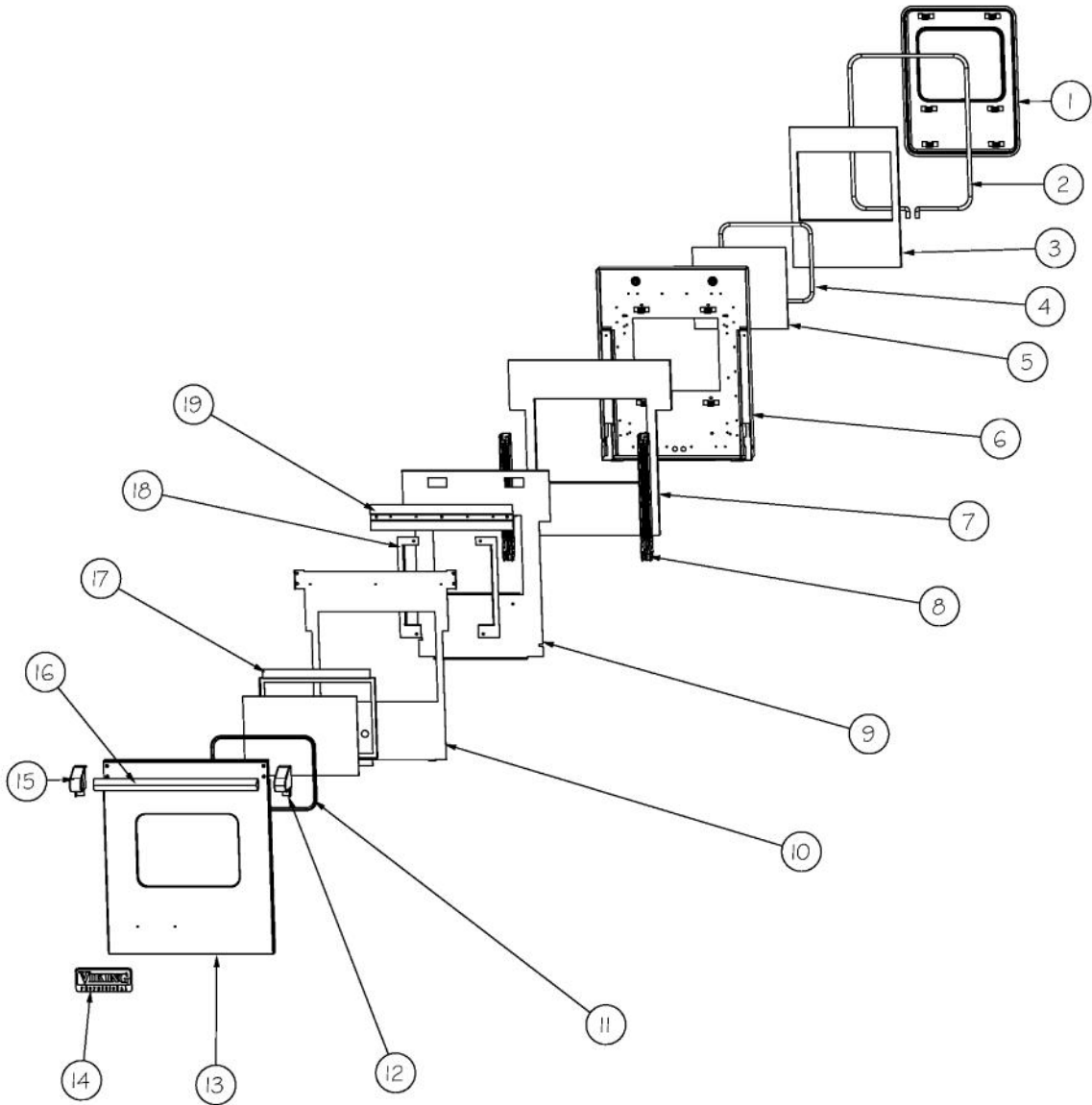
Ref #	Part Number	Qty.	Description
1	006946-000	1	SHIELD, BRL, EXHAUST
2	A2008467	1	INSULATION SHIELD
3	A2002595	1	CONVECTION FAN BOX (VDSC)
4	PE050057	1	CONVECTION FAN (VGSC306) (BEFORE 8/31/11)
4	023090-000		MOTOR, CONV ASM? (ON OR AFTER 8/31/11)
5	PD020048	41	NO.10 X 1/2 TEK 410 SS SCREW
6	004626-000	1	PANEL, BACK, INSULATION, 30
7	PE050206	1	RTD THERMOSTAT PROBE
8	A1002596	1	CONVECTION FAN COVER (VDSC)
9	A2001361	2	BACK SPACER (VGSC/VGSS)
10	G9104482	1	CONVECTION FAN COVER ASSY (VGSC306)
11	E91012614	2	LIGHT HOLE COVER
12	005311-000	2	120V/25W HALOGEN LIGHT
13	NON-SERVICEABLE	1	TUB WELDMENT
14	G9104438	1	OVEN BOTTOM PAN ASSY (VGSC306)
NI	A2004439	1	OVEN BOTTOM SHIELD (VGSC306)
15	005529-000	1	BAKE ORIFICE MTG BRKT (BEFORE 2/11/13)
15	040736-000	1	BRKT, ORF (ON OR AFTER 2/11/13)
16	PB040170	1	BAKE IGNITION ELECTRODE
17	005102-000	1	BURNER PAN ASSEMBLY
18	005329-000	1	BURNER, OVEN, ASM
19	003060-000	2	HINGE RECEPTACLE, VDSC CUSTOM
20	005373-000	1	30 FRONT FRAME WELD ASSY
21	A2004428	1	REAR BOTTOM BRCKT (VGSC306) (BEFORE 8/31/11)
22	B2001448	1	IR BROIL SUPT (FRONT)
23	B2005589	1	REAR BROILER BRACKET
24	PB040171	1	BROIL IGNITION ELECTRODE
25	G3001876	1	IR BURNER ASSY (VGSC/RC) N/S
26	006192-000	2	VENT, ASM, OVEN ASSEMBLY
27	PB060044	3	OVEN RK VDSC30/48RH REPL PB060019
28	030191-000	2	GUIDE, RACK
29	E9107933	1	BROILER PAN
30	E9107934	1	BROILER PAN INSERT



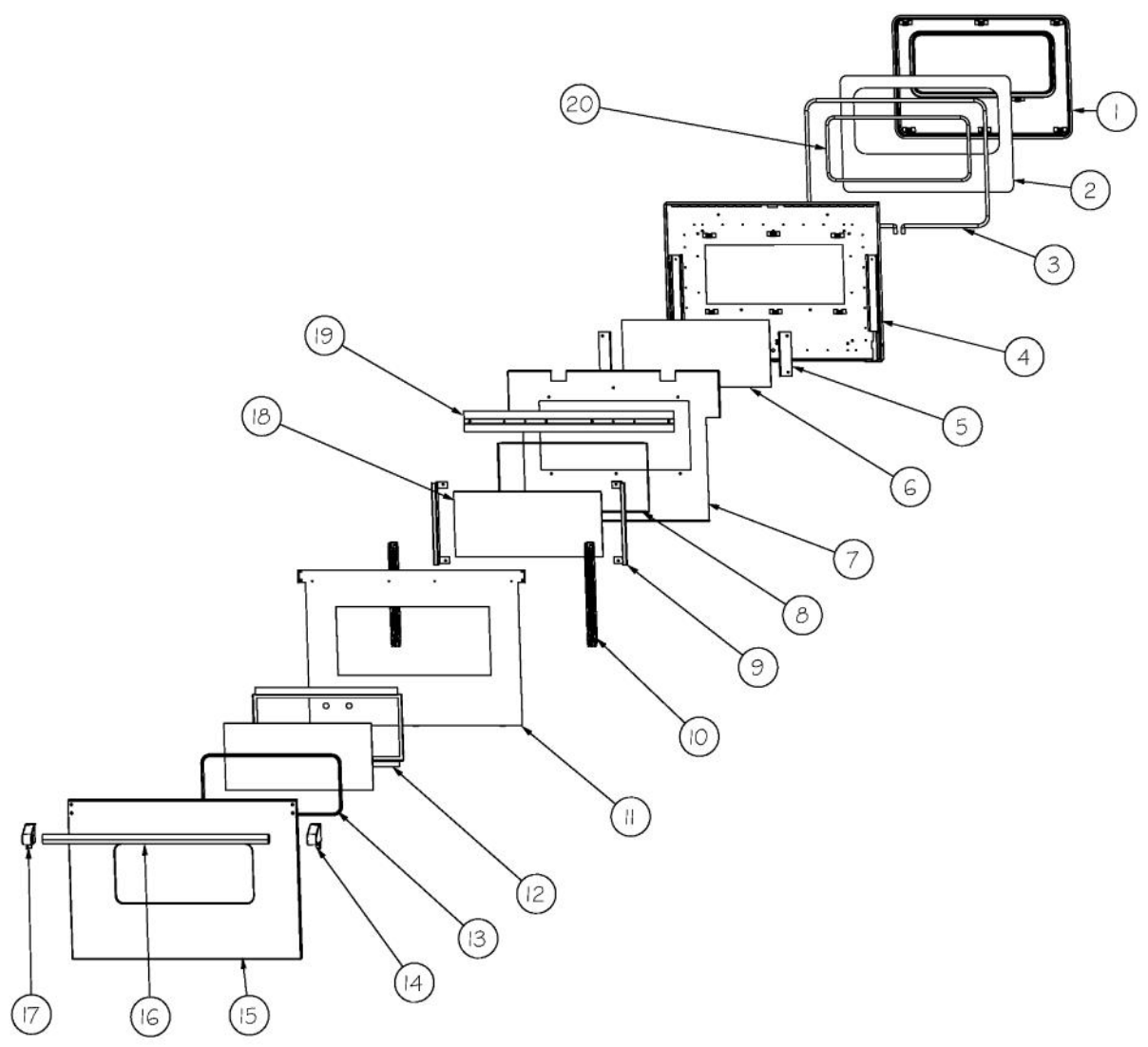
Ref #	Part Number	Qty.	Description
1	003588-000	1	SIDE PANEL, LH
2	005536-000	2	TRIM
3	004482-000	2	INSULATION, PNL, SIDE, LH
4	A2004429	4	OVEN BOTTOM INSUL. BRACE (VGSC306)
5	004479-000	2	INSULATION, PNL, SIDE, RH
6	008638-000	1	OVEN DIVIDER
7	009820-000	1	TRIM, CTR, GAS 48 ASM
8	007193-000	1	BASE TOP PLATE
9	002905-000	1	SIDE PANEL, RH, SST
10	024942-000	1	BASE, BOT, 48 GAS
11	PC030031	6	ADJUSTABLE LEG
12	009280-000	1	SPACER, BOT, 48 GAS RANGES
13	009568-000	1	KICKPLATE, RNG, SST, VDSC 48
13	009630-002	1	KICKPLATE, RNG, BK
13	009630-003	1	KICKPLATE, BT
13	009630-004	1	KICKPLATE, VGSC548, SG
13	009630-005	1	KICKPLATE, RNG - GG
13	009630-006	1	KICKPLATE, RANGE - WH
13	009630-008	1	KICKPLATE, VGSC548, BU
13	009630-010	1	KICKPLATE, VGSC548, MJ
13	009630-012	1	KICKPLATE, VGSC548, VB
13	009630-013	1	KICKPLATE, RNG CB
13	009630-015	1	KICKPLATE, VGSC548, PL
13	009630-016	1	KICKPLATE, VGSC548, CH
13	009630-017	1	KICKPLATE, VGSC548, TP
13	009630-018	1	KICKPLATE, VGSC548, CW
13	009630-021	1	KICKPLATE, VGSC548, SA
13	009630-022	1	KICKPLATE, VGSC548, SE
13	009630-023	1	KICKPLATE, VGSC548, IB
13	009630-024	1	KICKPLATE, RANGE - AR
13	009630-025	1	KICKPLATE, VGSC548, RR
NI	009659-026	1	PANEL, DOOR ASM, OUTER, PM



Ref #	Part Number	Qty.	Description
1	007701-000	1	COVER, 18 BACK VGSC
2	006962-000	1	COVER, INL, BACK
3	032123-000	1	CABINET, BACK
4	006744-000	2	STANDOFF, CAB, VGSC
5	006949-000	1	DUCT, AIR, ASM



Ref #	Part Number	Qty.	Description
1	000943-000	1	PLUG, DOOR, WELD 48 LH
2	000080-000	1	48 LH DOOR GASKET
3	PB070145	1	SUPERWOOL 5 X 24 X 3`
4	PB070150	1	FIBERGLASS ROPE, 3/8 DIA.
5	PE060032	2	GLASS (HEAT BARRIER) LH DF48DOOR
6	007221-000	1	LINER, DOOR, WELD ASM
7	PB070145	1	SUPERWOOL 5 X 24 X 3`
8	013303-000	2	HINGE, DOOR, VR 18 YELLOW SPRING
9	007202-000	1	DOOR, INNER HEAT SINK, VGCC/SC 48 LH
10	007222-000	1	PANEL, INSL, DOORSKIN, VGSC 18
11	PE060046	1	J-MOLD LH SS (DF48 DOOR) (NOT FIELD REPLACEABLE - MUST ORDER ITEM NO. 13)
12	003012-000	1	DOOR HANDLE ENDCAP ASSY, RH (CHROME)
13	019975-000	1	48 DOOR SKIN SRV KIT LH
13	020038-002	1	LH DOOR SKIN KIT SRV, VGSC548 BK
13	020038-003	1	LH DOOR SKIN KIT SRV, VGSC548 BT
13	020038-004	1	LH DOOR SKIN KIT SRV, VGSC548 SG
13	020038-005	1	LH DOOR SKIN KIT SRV, VGSC548 GG
13	020038-006	1	LH DOOR SKIN KIT SRV, VGSC548 WH
13	020038-008	1	LH DOOR SKIN KIT SRV, VGSC548 BU
13	020038-009	1	LH DOOR SKIN KIT SRV, VGSC548 LE
13	020038-010	1	LH DOOR SKIN KIT SRV, VGSC548 MJ
13	020038-012	1	LH DOOR SKIN KIT SRV, VGSC548 VB
13	020038-013	1	LH DOOR SKIN KIT SRV, VGSC548 CB
13	020038-015	1	LH DOOR SKIN KIT SRV, VGSC548 PL
13	020038-016	1	LH DOOR SKIN KIT SRV, VGSC548 CH
13	020038-017	1	LH DOOR SKIN KIT SRV, VGSC548 TP
13	020038-018	1	LH DOOR SKIN KIT SRV, VGSC548 CW
13	020038-019	1	LH DOOR SKIN KIT SRV, VGSC548 OG
13	020038-020	1	LH DOOR SKIN KIT SRV, VGSC548 GM
13	020038-021	1	LH DOOR SKIN KIT SRV, VGSC548 SA
13	020038-022	1	LH DOOR SKIN KIT SRV, VGSC548 SE
13	020038-023	1	LH DOOR SKIN KIT SRV, VGSC548 IB
13	020038-024	1	LH DOOR SKIN KIT SRV, VGSC548 AR
13	020038-025	1	LH DOOR SKIN KIT SRV, VGSC548 RR
13	020038-026	1	LH DOOR SKIN KIT SRV, VGSC548 PM
13	020038-027	1	LH DOOR SKIN KIT SRV, VGSC548 MS
14	PE010030	1	LOGO, 6, PRO, BK
15	003011-000	1	DOOR HANDLE ENDCAP ASSY, LH (CHROME)
16	006221-000	1	18 DOOR HANDLE, SST
17	008336-000	1	FRAME, GL (NOT FIELD REPLACEABLE - MUST ORDER ITEM NO. 13)
18	009830-000	2	RETAINER, INSL, LH
19	006225-000	1	BRACKET, DOOR, ASM, MT, VDSC 18



Ref #	Part Number	Qty.	Description
1	000935-000	1	PLUG, DOOR, WELD
2	002560-000	1	30 DOOR PLUG INSULATION
3	000042-000	1	30 DOOR GASKET
4	004691-000	1	LINER, DOOR, ASM, ASSY, GSC
5	A2002189	2	DOOR GLASS STANDOFF (VDSC)
6	PE060039	2	GLASS-HEAT TREATED (HB2) VDSC
7	004688-000	1	PANEL, INSL, DOOR, LINER
8	007583-000	1	BRACKET, GLASS
9	004687-000	1	BRACKET, WDO
10	002740-000	2	MANSFIELD HINGE, BLUE SPRING
11	004684-000	1	PANEL, DOOR, INSULATION, GSC
12	008097-000	1	FRAME, GLASS, ALUMINUM MUST ORDER ITEM NO.15
13	PE060031	1	J-MOLD (LARGE WINDOW) MUST ORDER ITEM NO.15
14	003012-000	1	DOOR HANDLE ENDCAP ASSY, RH (CHROME)
15	023649-000	1	48 DOOR SKIN SRV KIT, RH SS
16	002728-000	1	DOOR HANDLE - SS, 1.25 OD
17	003011-000	1	DOOR HANDLE ENDCAP ASSY, LH (CHROME)
18	PE060030	1	GLASS-OUTER DOOR BK SCREENED,TEMP MUST ORDER ITEM NO.15
19	006553-000	1	DOOR BRACKET, WELD ASSY
20	PB070150	1	FIBERGLASS ROPE, 3/8 DIA.

*No Image
Available*

Ref #	Part Number	Qty.	Description
NI	001754-000	1	HARNESS POWER DISCONNECT (BEFORE 12/29/10)
NI	PE070036	1	TIE WRAP
NI	000647-000	3	IRIS IGNITOR WIRE, FRONT BURNER
NI	006766-000	4	IRIS IGNITOR WIRE, BACK BURNER
NI	009478-000	1	CONTROL PANEL HARNESS, VGSC548-6Q/8B
NI	009822-000	1	CONTROL PANEL HARNESS, VGCC548-4GQ/6G
NI	009474-000	1	HARNESS, MAIN, 48 LH (BEFORE 12/29/10)
NI	025993-000	1	HARNESS, MAIN 48 L.H. (ON OR AFTER 12/29/10)
NI	009479-000	1	VGCC MAIN HARNESS, 48 (BEFORE 12/29/10)
NI	025994-000	1	HARNESS, 48 VGCC (ON OR AFTER 12/29/10)
NI	G4000936	2	GROUND WIRE
NI	007298-000	1	BAKE IGNITOR WIRE, ASM (BEFORE 12/29/10)
NI	024606-000	1	WIRE, BAKE, ELECTRODE, ASM (ON OR AFTER 12/29/10)
NI	006765-000	1	BROIL IGNITOR WIRE ASM (BEFORE 12/29/10)
NI	024605-000	1	WIRE, BRL, ELECTRODE, ASM (ON OR AFTER 12/29/10)
NI	PE070892	1	IRIS HARNESS - 60 (BEFORE 12/29/10)
NI	023325-000	1	IRIS HARNESS, 48 (ON OR AFTER 12/29/10)
NI	G4008493	1	SUPPLY CORD ASSY- VGSU (BEFORE 12/29/10)
NI	023750-000	1	CORD, SUPPLY (ON OR AFTER 12/29/10)
NI	043837-000	1	48 SPILL GUTTER KIT 3 (FOR UNITS MANUFACTURED BEFORE 1/9/13)
NI	009476-000	1	HARNESS, POWER, 48 (BEFORE 12/29/10)
NI	015357-000	2	IGNITOR, W/WIRE