

This Owner's Manual is provided and hosted by [Appliance Factory Parts](#).



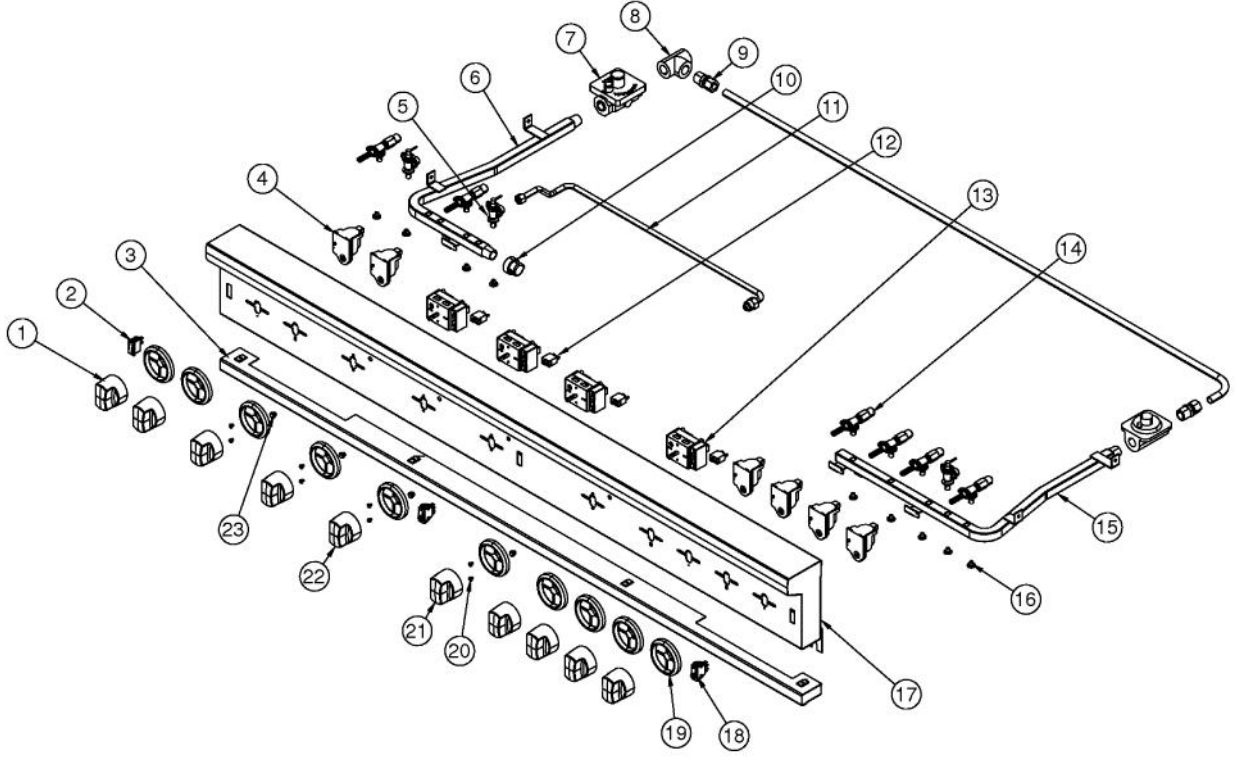
VIKING VGCC560-6G Owner's Manual

[Shop genuine replacement parts for VIKING VGCC560-6G](#)

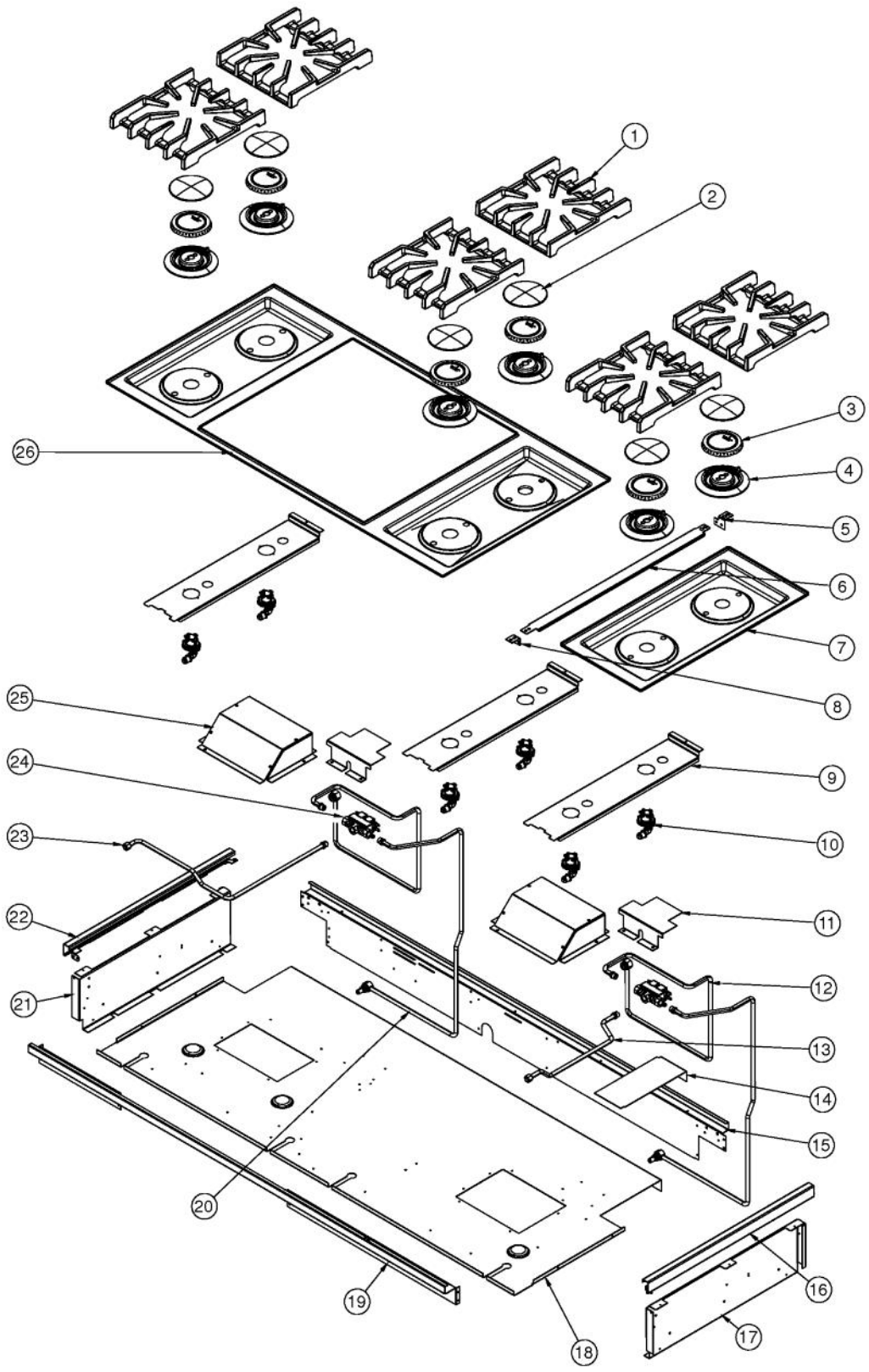


[Find Your VIKING Range Hoods Parts - Select From 411 Models](#)

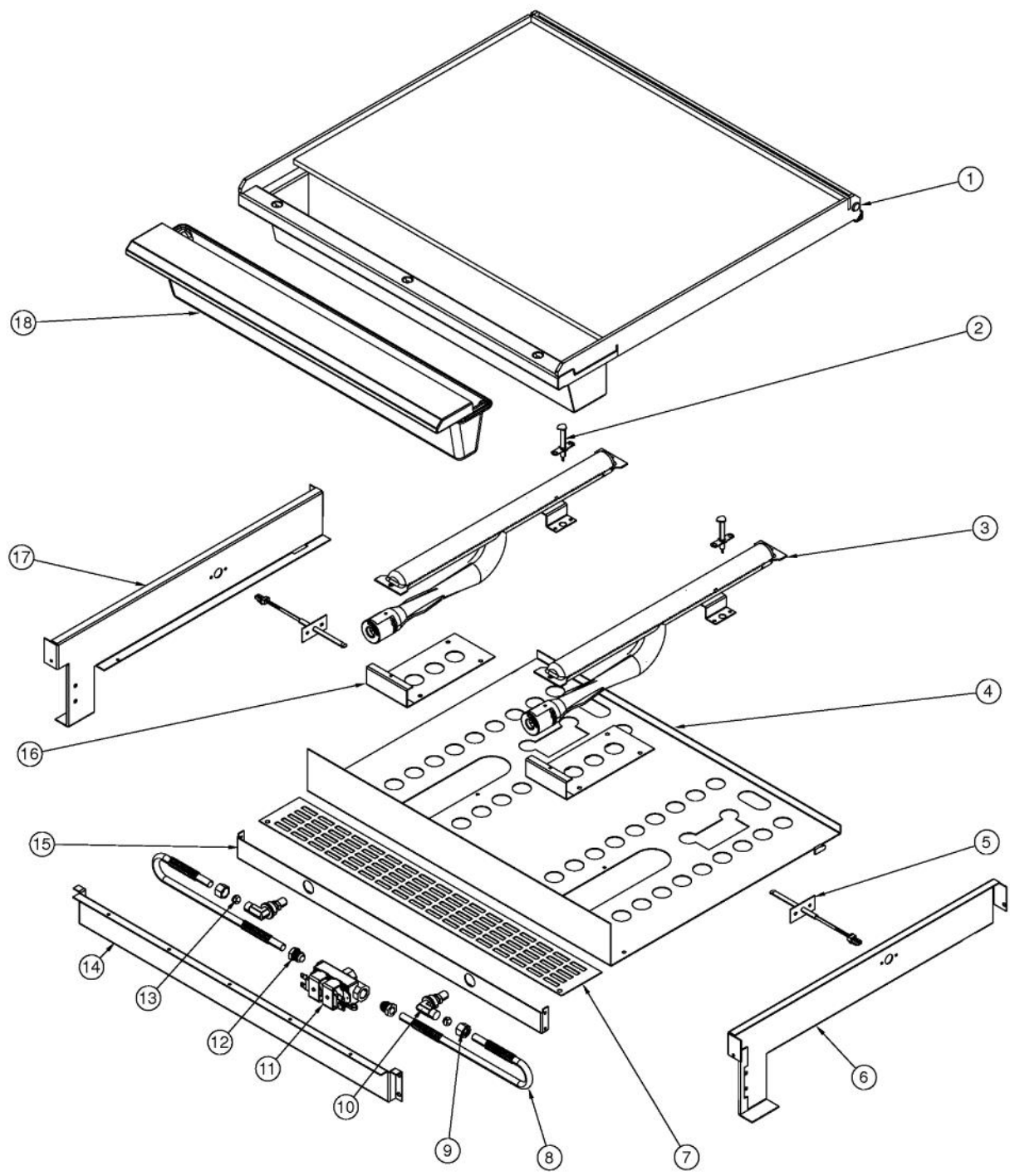
----- Manual continues below -----



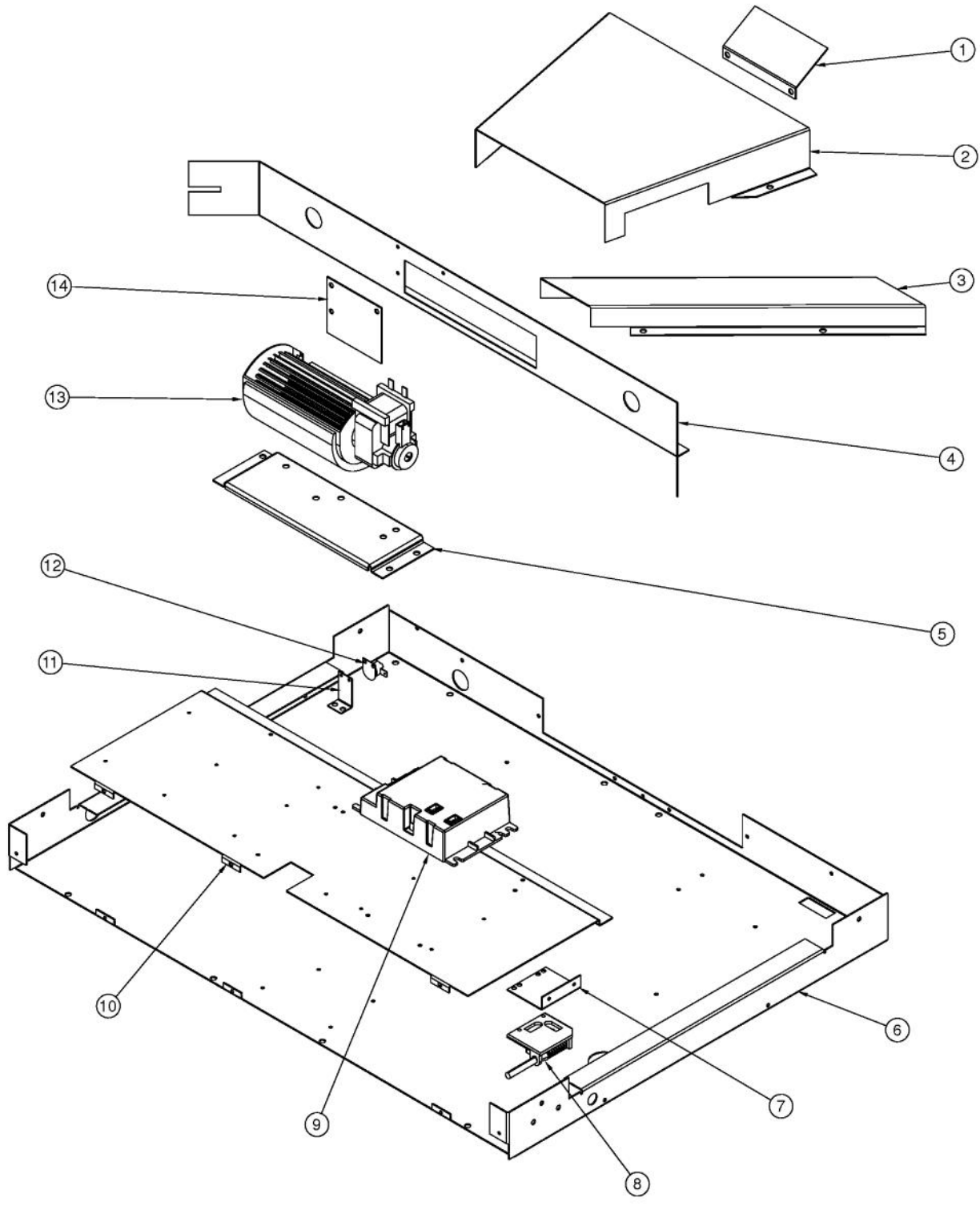
Ref #	Part Number	Qty.	Description
1	005269-000	6	RANGE TOP BURNER KNOB-BRUSHED, SSS BEFORE 12/20/12
1	035881-000	6	KNOB, BNR, TOP PRO CR3 AFTER (12/20/12)
2	003719-000	1	OVEN LIGHT SWITCH, BLACK
3	014321-000	1	TRIM, ASM, CUSTOM 60
4	PA020058	6	IRIS SINGLE SPARK MODULE
5	PB030007	3	SHUT OFF VALVE
6	014552-000	1	MANIFOLD, MAIN, 60
7	PA070003	2	PRESSURE REGULATOR (NAT.)
7	013386-000	2	LP PRESSURE REGULATOR
8	PA050031	1	PIPE TEE - 1/2 FEMALE
9	000845-000	2	1/2 COMP TO 1/2 MALE NPT ADAPTER
10	026116-000	1	1/2 BLACK PIPE CAP
11	026910-000	1	TUBING, GRIDDLE, VALVE
12	PE050024	4	OVEN IND. LIGHT (LIGHT HOUSING)
13	038413-000	4	TSTAT, SMPS, ELEC, 2-POS, .91 SHAFT, CB
14	004507-000	6	SUB TO 006313-000 - VALVE, BRS, ASM, TOP, BURNER, FLRE,...
15	014561-000	1	MANIFOLD, GRDL, 60
16	PD010012	9	VALVE BOLT 1/4-20 UNC-2B 5/16 M.S.
17	025953-2309	1	CNTRL PANEL ASM, VGCC560-6G, W/GRAPHICS
18	006355-000	2	SPLASHPROOF ROCKER SWITCH
19	PB010304	10	KNOB BEZEL
19	PB010304PVD	10	RESTYLE KNOB BEZEL, BR
20	PD010028	8	BOLT M 4X5
21	008416-000	1	KNOB, THERMOSTAT, NO.3 SSS, ASM, VGCC BEFORE 12/20/12
21	035891-000	1	KNOB, OVN, TSTAT, PRO VGCC CR3 AFTER (12/20/12)
22	006570-000	3	KNOB, GRDL/(LH OVEN), ASM, PVD, NO.3, SSS BEFORE 12/20/12
22	035883-000	3	KNOB, GRDL, PRO CR3 AFTER (12/20/12)
23	PE050023	4	OVEN IND. LIGHT (LENS & BEZEL)
NI	PD020032	4	SRW-8(A)X3/8PH.WFR HD 7/16DIAXNICL
NI	PD020067	6	NO.6 X 3/8 PAN PHIL. TEK SS



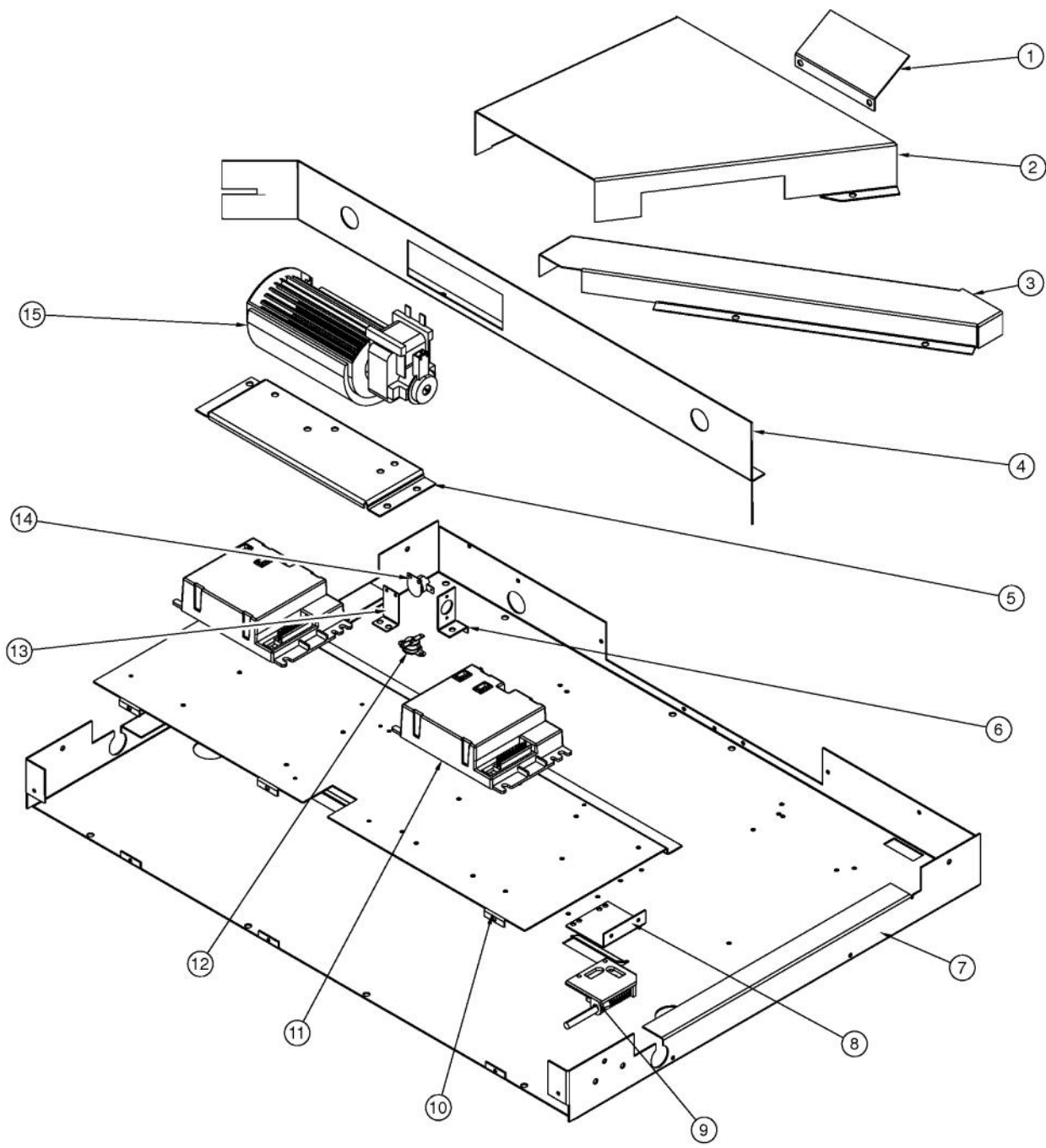
Ref #	Part Number	Qty.	Description
1	007323-000	6	BURNER GRATE
2	PA080083	6	D BURNER CAP XMATTE BLACKX
3	006706-000	6	B6 REV SEALED BURNER
4	003322-041	6	SEALED BURNER BASE, PAINTED FINISH
5	017120-000	1	BRACKET, BRDG, REAR
6	017108-000	1	BRIDGE, CKTP
7	E91015333	1	SEALED BURNER TOP - 12
8	017111-000	1	BRACKET, BRDG, FR
9	002923-000	3	BURNER MODULE SUPPORT
10	001394-042	6	15000 BTU NAT JETHOLDER
10	001394-046	5	12.5 K BTU LP JETHOLDER
10	001394-044	1	16.6 K BTU LP JETHOLDER
11	010251-000	2	COVER, SOL
12	015199-000	2	TUBING, BURNER, ASM
13	015196-000	1	TUBE, MANF, ASM
14	014703-000	1	PLATE, SVCE
15	014666-000	1	SUPPORT, BACK 60
16	002920-000	1	SIDE TRIM, RH - STAINLESS
17	002755-000	1	BURNER BOX SIDE, RH
18	014584-000	1	BURNER BOX BOTTOM, 60
19	026112-000	1	SUPPORT, FRONT, 560-6G
20	015200-000	2	TUBING, BAKE ASM, NAT
20	015731-000	2	TUBING, BAKE ASM, LP
21	003481-000	1	BURNER BOX SIDE, LH
22	003649-000	1	SIDE TRIM, LH - STAINLESS
23	015198-000	1	TUBE, MANF, ASM
24	009112-000	2	VALVE, SOL, DOUBLE
25	009065-000	2	COVER, FAN, VGSC548
26	E2109804	1	48 SEALED TOP
NI	009197-000	12	NO.6-32 X 5/8 18-8 SS NC SOC CAP
NI	003860-000	4	NO.10-18 X .500 FASTNR,SCR,HXWH,STL,ZPLT
NI	PD020004	12	10X3/8PH.HD.TYPE 25 REPL PD040125
NI	PB020193	3	16 FLEX TUBING W/CONNECTORS
NI	PB020192	3	10 FLEX TUBING W/CONNECTORS



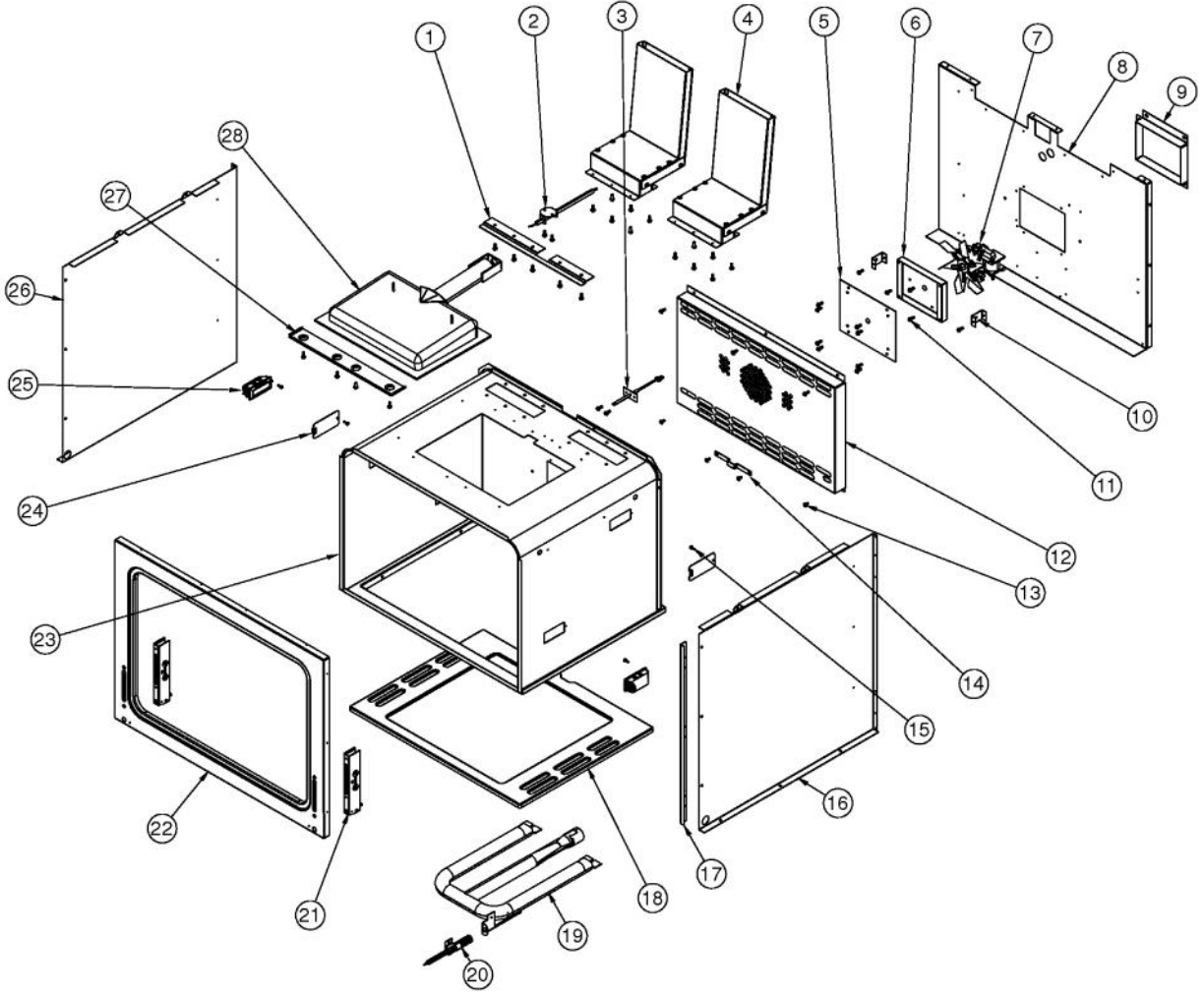
Ref #	Part Number	Qty.	Description
1	040248-000	1	24 GRIDDLE, ASM
2	PA020028	2	SPARK IGNITER
3	013888-000	2	GRIDDLE, BURNER, ASM, NAT, W/IGNITOR BRACKET
3	013889-000	2	GRIDDLE, BURNER, ASM, LP, W/IGNITOR BRACKET
4	026114-000	1	GRIDDLE, BOX, BTM, 24
5	PE050206	2	RTD THERMOSTAT PROBE
6	016295-000	1	SIDE, GRILL BOX, RH
7	027489-000	1	SHIELD, WIRE
8	PB020126	2	3/8` S.S. FLEX TUBING 15`` (DGCU)
9	PB040051	2	3/8CC FEMALE COMP. FITTING
10	PB040190	2	90 DEGREE ORIFICE FITTING NO.50 NAT
10	002513-000	2	90 DEGREE ORIFICE FITTING NO.57 LP
11	009112-000	1	VALVE, SOL, DOUBLE
12	PB040050	2	3/8CC MALE COMP. FITTING W/FERRULE
13	PB040049	2	3/8 XBRX FERRULE (FOR 3/8CC FEMALE
14	026036-000	1	BRACE, SUPPORT, FRONT
15	026113-000	1	GRIDDLE ORIFICE BRKT
16	006785-000	2	GRIDDLE, BOX, VENTURI, COVER
17	016293-000	1	GRIDDLE SUPPORT, LEFT
18	025750-000	1	TROUGH, GRIDDLE, ASM, 24



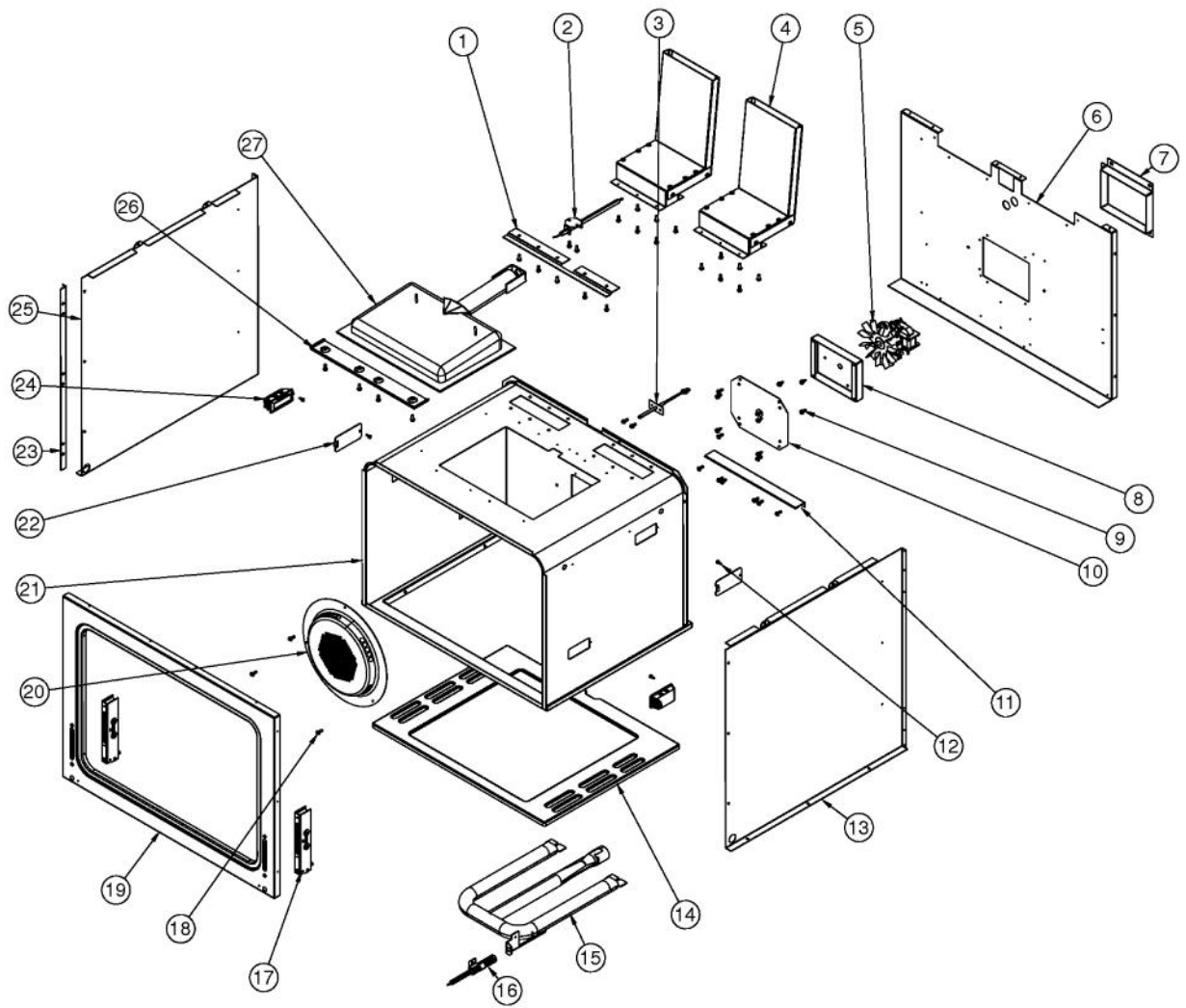
Ref #	Part Number	Qty.	Description
1	006952-000	1	DEFLECTOR, AIR
2	005464-000	1	DUCT, VENT
3	006950-000	1	DUCT, VENT
4	006114-000	1	DIVIDER, AIR
5	006956-000	1	BRACKET, BLO, MTG
6	004628-000	1	TOP, CAB
7	A20012649	1	DOOR SWITCH BRACKET
8	PE050208	1	DOOR SWITCH
9	023651-000	1	DSI120 LONG PURGE
10	005315-000	1	TRAY, ELEX, 30, GSC
11	A20014089	1	DISC BRACKET
12	PJ030039	1	BI-METAL THERMOSTAT 275 DEGREES
13	007794-000	1	COOLING FAN, VDSC 18 BEFORE 8/12/13
13	030567-000	1	FAN, BLOW, ASM 120V AFTER 8/12/13
14	008420-000	1	FAN COVER PLATE
NI	PD020063	3	SCREW-NO.8(A) X 3/8PH WFR HD/BK OXID



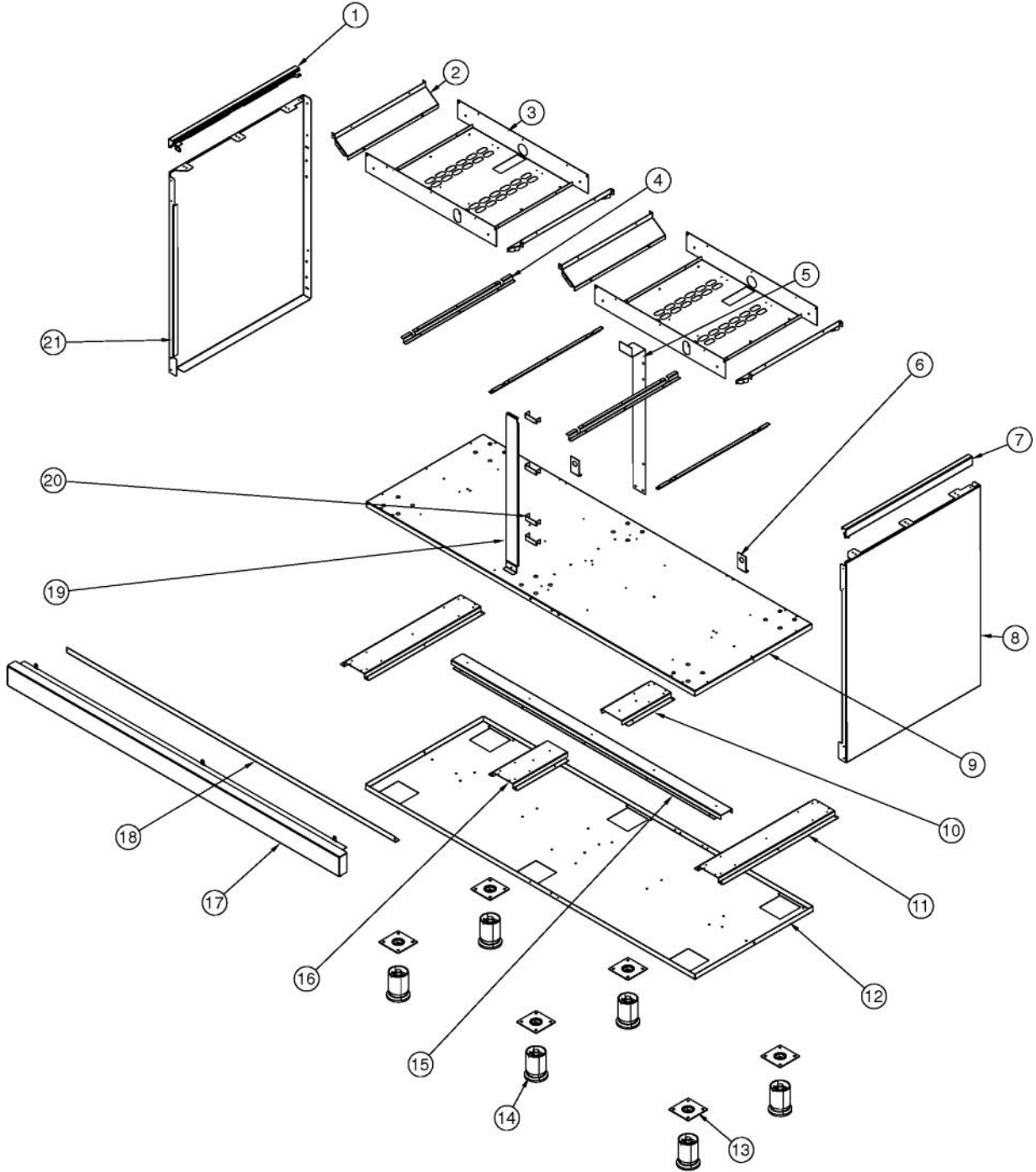
Ref #	Part Number	Qty.	Description
1	006952-000	1	DEFLECTOR, AIR
2	016532-000	1	DUCT, VENT, LH ANGLED
3	024732-000	1	DUCT, VENT, LH
4	014676-000	1	DIVIDER, AIR, LH
5	006956-000	1	BRACKET, BLO, MTG
6	012438-000	1	SWITCH, LIM, BRKT
7	025086-000	1	TOP, CAB
8	A20012649	1	DOOR SWITCH BRACKET
9	PE050208	1	DOOR SWITCH
10	025127-000	1	TRAY, ELEX, 30`` GSC
11	023651-000	2	DSI120 LONG PURGE
12	PJ030022	1	HIGH LIMIT SWITCH
13	A20014089	1	DISC BRACKET
14	PJ030039	1	BI-METAL THERMOSTAT 275 DEGREES
15	007794-000	1	COOLING FAN, VDSC 18 BEFORE 8/12/13
15	030567-000	1	FAN, BLOW, ASM 120V AFTER 8/12/13
NI	PD020063	3	SCREW-NO.8(A) X 3/8PH WFR HD/BK OXID



Ref #	Part Number	Qty.	Description
1	B2005589	1	REAR BROILER BRACKET
2	PB040171	1	BROIL IGNITION ELECTRODE
3	PE050206	1	RTD THERMOSTAT PROBE
4	006192-000	2	VENT, ASM, OVEN ASSEMBLY
5	A1002596	1	CONVECTION FAN COVER (VDSC)
6	A2002595	1	CONVECTION FAN BOX (VDSC)
7	PE050057	1	CONVECTION FAN (VGSC306)
8	020404-000	1	INSULATION, BACK, PANEL, 30
9	A2008467	1	INSULATION SHIELD
10	A2001361	2	BACK SPACER (VGSC/VGSS)
11	PD020048	41	NO.10 X 1/2 TEK 410 SS SCREW
12	G9104482	1	CONVECTION FAN COVER ASSY (VGSC306)
13	M0210443	4	SCREW-E SM
14	A2004428	1	REAR BOTTOM BRCKT (VGSC306)
15	PD020067	4	NO.6 X 3/8 PAN PHIL. TEK SS
16	004479-000	1	INSULATION, PNL, SIDE, RH
17	005536-000	1	TRIM
18	G9104438	1	OVEN BOTTOM PAN ASSY (VGSC306)
NI	A2004439	1	OVEN BOTTOM SHIELD (VGSC306)
19	005329-000	1	BURNER, OVEN, ASM
20	PB040170	1	BAKE IGNITION ELECTRODE
21	003060-000	2	HINGE RECEPTACLE, VDSC CUSTOM
22	005373-000	1	30 FRONT FRAME WELD ASSY
23	UNSERVICEABLE	1	OVEN CAVITY, ASM 36
24	E91012614	2	LIGHT HOLE COVER
25	005311-000	2	120V/25W HALOGEN LIGHT
26	004482-000	1	INSULATION, PNL, SIDE, LH
27	B2001448	1	IR BROIL SUPT (FRONT)
28	G3001876	1	IR BURNER ASSY (VGSC/RC) N/S
NI	M0238731	1	SCREW-SM
NI	PB060030	2	RACK SUPT REPL PB060010
NI	PB060044	3	OVEN RK VDSC30/48RH REPL PB060019

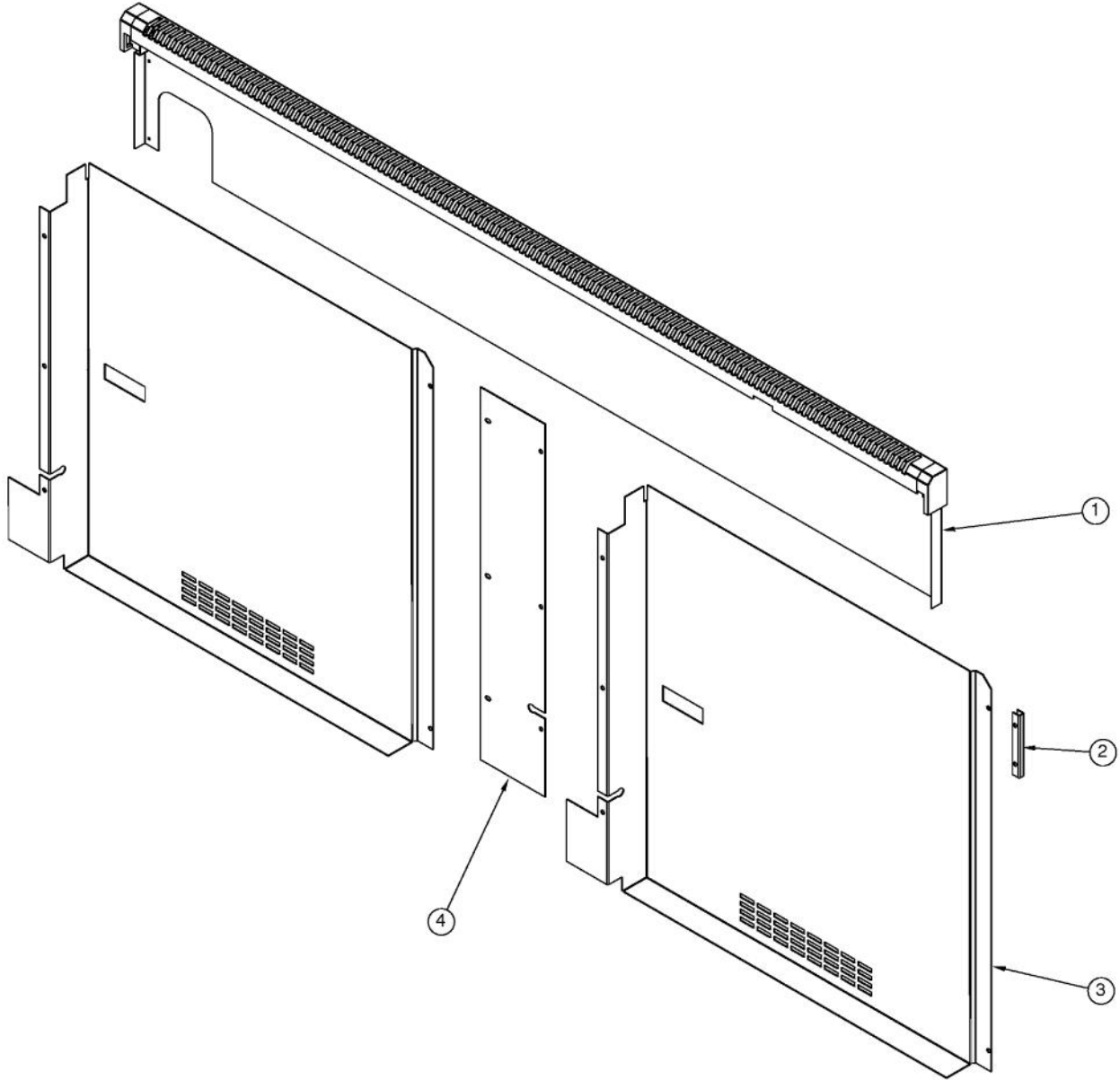


Ref #	Part Number	Qty.	Description
1	B2005589	1	REAR BROILER BRACKET
2	PB040171	1	BROIL IGNITION ELECTRODE
3	PE050206	1	RTD THERMOSTAT PROBE
4	006192-000	2	VENT, ASM, OVEN ASSEMBLY
5	023089-000	1	MOTOR, CONVECTION, 120V/60HZ
6	020404-000	1	INSULATION, BACK, PANEL, 30
7	A2008467	1	INSULATION SHIELD
8	031735-000	1	BOX, INSUL., FAN
9	003860-000	7	NO.10-18 X .500 FASTNR,SCR,HXWH,STL,ZPLT
10	021199-000	1	COVER, BOX, INSULATION
11	031445-403	1	BRACE, OVEN, BOTTOM, BACK
12	PD020067	4	NO.6 X 3/8 PAN PHIL. TEK SS
13	004479-000	1	INSULATION, PNL, SIDE, RH
14	G9104438	1	OVEN BOTTOM PAN ASSY (VGSC306)
15	005329-000	1	BURNER, OVEN, ASM
16	PB040170	1	BAKE IGNITION ELECTRODE
17	003060-000	2	HINGE RECEPTACLE, VDSC CUSTOM
18	PD020048	38	NO.10 X 1/2 TEK 410 SS SCREW
19	005373-000	1	30 FRONT FRAME WELD ASSY
20	008875-000	1	RAW CONV COVER
21	UNSERVICEABLE	1	OVEN CAVITY, ASM 36
22	E91012614	2	LIGHT HOLE COVER
23	005536-000	1	TRIM
24	005311-000	2	120V/25W HALOGEN LIGHT
25	004482-000	1	INSULATION, PNL, SIDE, LH
26	B2001448	1	IR BROIL SUPT (FRONT)
27	G3001876	1	IR BURNER ASSY (VGSC/RC) N/S
NI	M0238731	1	SCREW-SM
NI	PB060030	2	RACK SUPT REPL PB060010
NI	PB060044	3	OVEN RK VDSC30/48RH REPL PB060019

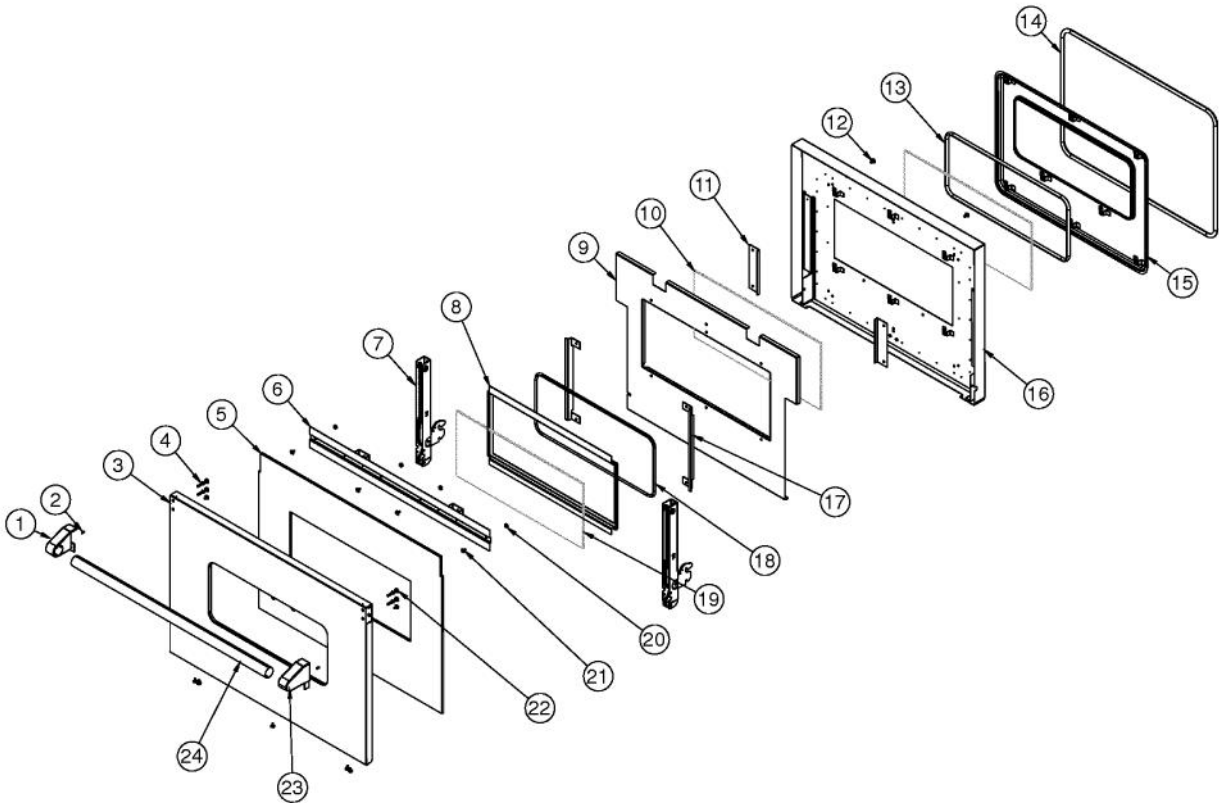


Ref #	Part Number	Qty.	Description
1	003649-000	1	SIDE TRIM, LH - STAINLESS
2	003739-000	4	BURNER, PAN, SIDE
3	003738-000	2	PAN, BNR
4	A2004429	4	OVEN BOTTOM INSUL. BRACE (VGSC306)
5	014815-000	1	COVER, BACK CENTER
6	005529-000	2	BAKE ORIFICE MTG BRKT (BEFORE 2/11/13)
5	040736-000	1	BRKT, ORF (ON OR AFTER 2/11/13)
7	002920-000	1	SIDE TRIM, RH - STAINLESS
8	002905-000	1	SIDE PANEL, RH, SST
8	004645-002	1	SIDE PANEL, RH,-BK
8	004645-003	1	SIDE PANEL, RH,-BT
8	004645-004	1	SIDE PANEL, RH,-SG
8	004645-005	1	SIDE PANEL, RH,-GG
8	004645-006	1	SIDE PANEL, RH,-WH
8	004645-008	1	SIDE PANEL, RH,-BU
8	004645-009	1	SIDE PANEL, RH,-LE
8	004645-010	1	SIDE PANEL, RH,-MJ
8	004645-012	1	SIDE PANEL, RH,-VB
8	004645-013	1	SIDE PANEL, RH,-CB
8	004645-015	1	SIDE PANEL, RH,-PL
8	004645-016	1	SIDE PANEL, RH,-CH
8	004645-017	1	SIDE PANEL, RH,-TP
8	004645-018	1	SIDE PANEL, RH,-CW
8	004645-019	1	SIDE PANEL, RH,-OG
8	004645-020	1	SIDE PANEL, RH,-GM
8	004645-021	1	SIDE PANEL, RH,-SA
8	004645-022	1	SIDE PANEL, RH,-SE
8	004645-023	1	SIDE PANEL, RH,-IB
8	004645-024	1	SIDE PANEL, RH,-AR
8	004645-025	1	SIDE PANEL RH - RR
8	004645-026	1	SIDE PANEL, RH,-PM
8	004645-027	1	SIDE PANEL, RH,-MS
9	014602-000	1	BASE, PANEL, TOP 60
10	006413-000	1	SUPPORT BASE, REAR, VDSC560
11	003053-000	2	BASE LEG SUPPORT CHANNEL
12	014601-000	1	BASE
13	PC030007	6	LEG PLATE - 3/4 THREADED HOLE
14	PC030031	6	ADJUSTABLE LEG
15	006411-000	1	SUPPORT BASE, VDSC560
16	006412-000	1	SUPPORT BASE, FR VDSC560
17	014698-000	1	KICKPLATE, 60, GAS SST
17	015420-002	1	KICKPLATE, 60, GAS BK
17	015420-003	1	KICKPLATE, 60, GAS BT
17	015420-004	1	KICKPLATE, 60, GAS SG
17	015420-005	1	KICKPLATE, 60, GAS GG
17	015420-006	1	KICKPLATE, 60, GAS WG
17	015420-008	1	KICKPLATE, 60, GAS BU
17	015420-009	1	KICKPLATE, 60, GAS LE
17	015420-010	1	KICKPLATE, 60, GAS MJ
17	015420-012	1	KICKPLATE, 60, GAS VB
17	015420-013	1	KICKPLATE, 60, GAS CB
17	015420-015	1	KICKPLATE, 60, GAS PL
17	015420-016	1	KICKPLATE, 60, GAS CH
17	015420-017	1	KICKPLATE, 60, GAS TP
17	015420-018	1	KICKPLATE, 60, GAS CW
17	015420-019	1	KICKPLATE, 60, GAS OG
17	015420-020	1	KICKPLATE, 60, GAS GM
17	015420-021	1	KICKPLATE, 60, GAS SA

Ref #	Part Number	Qty.	Description
17	015420-021	1	KICKPLATE, 60, GAS SA
17	015420-022	1	KICKPLATE, 60, GAS SE
17	015420-023	1	KICKPLATE, 60, GAS IB
17	015420-024	1	KICKPLATE, 60, GAS AR
17	015420-025	1	KICKPLATE, 60, GAS RR
17	015420-026	1	KICKPLATE, 60, GAS PM
17	015420-027	1	KICKPLATE, 60, GAS MS
18	014696-000	1	SPACER, FRONT, 60
19	008741-000	1	TRIM, CENTER, VGSC548
20	008231-000	4	BRACKET, HLDR, CENTER TRIM
21	003588-000	1	SIDE PANEL, LH
21	005505-002	1	SIDE PANEL, LH BK
21	005505-003	1	INSULATION, PNL, SIDE, LH - BT
21	005505-004	1	INSULATION, PNL, SIDE, LH - SG
21	005505-005	1	INSULATION, PNL, SIDE, LH - GG
21	005505-006	1	INSULATION, PNL, SIDE, LH - WH
21	005505-008	1	INSULATION, PNL, SIDE, LH - BU
21	005505-009	1	INSULATION, PNL, SIDE, LH - LE
21	005505-010	1	INSULATION, PNL, SIDE, LH - MJ
21	005505-012	1	INSULATION, PNL, SIDE, LH - VB
21	005505-013	1	INSULATION, PNL, SIDE, LH - CB
21	005505-015	1	INSULATION, PNL, SIDE, LH - PL
21	005505-016	1	INSULATION, PNL, SIDE, LH - CH
21	005505-017	1	INSULATION, PNL, SIDE, LH - TP
21	005505-018	1	INSULATION, PNL, SIDE, LH - CW
21	005505-019	1	INSULATION, PNL, SIDE, LH - OG
21	005505-020	1	INSULATION, PNL, SIDE, LH - GM
21	005505-021	1	INSULATION, PNL, SIDE, LH - SA
21	005505-022	1	INSULATION, PNL, SIDE, LH - SE
21	005505-023	1	INSULATION, PNL, SIDE, LH - IB
21	005505-024	1	INSULATION, PNL, SIDE, LH - AR
21	005505-025	1	SIDE PANEL LH - RR
21	005505-026	1	INSULATION, PNL, SIDE, LH - PM
21	005505-027	1	INSULATION, PNL, SIDE, LH - MS
NI	003860-000	6	NO.10-18 X .500 FASTNR,SCR,HXWH,STL,ZPLT
NI	PD020076	24	6-32 X 3/8 PHILL PAN MS
NI	PD020032	6	SRW-8(A)X3/8PH.WFR HD 7/16DIAXNICL



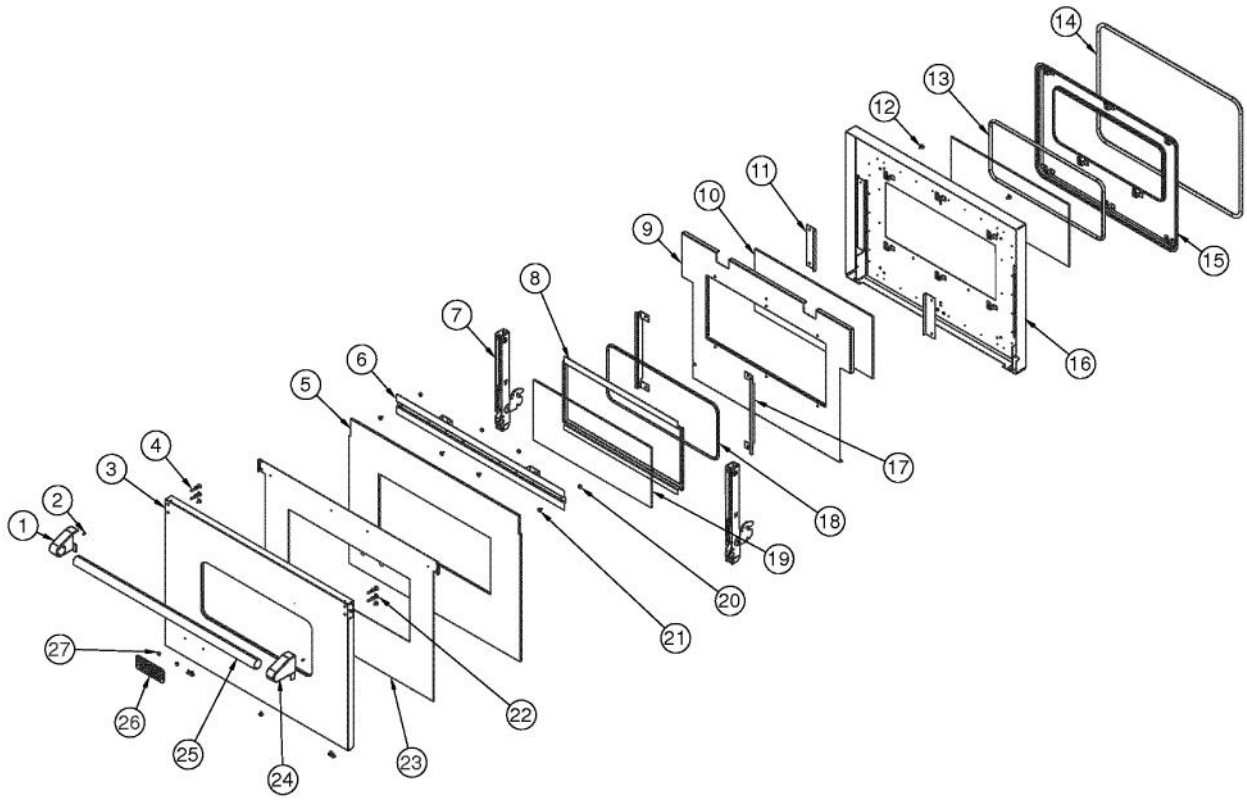
Ref #	Part Number	Qty.	Description
1	014589-000	1	ISLAND TRIM, ASM CUSTOM RANGE 60
2	006744-000	1	STANDOFF, CAB, VGSC
3	032157-000	2	PANEL, OUTER, 30
4	016540-000	1	SHIELD, HEAT, BACK GAS



Ref #	Part Number	Qty.	Description
1	003011-000	1	DOOR HANDLE ENDCAP ASSY, LH (CHROME)
1	003011-100	1	DOOR HANDLE ENDCAP ASSY, LH (BRASS)
2	003650-000	2	SET SCREW
3	008183-000	1	PANEL, DOOR 30 W/NO LOGO, SS
4	002736-000	4	NO.10-32 PAN HEAD PHILLIPS MACHINE SCREW
5	004685-000	1	INSULATION, DOOR, PANEL
6	006553-000	1	DOOR BRACKET, WELD ASSY
7	002740-000	2	MANSFIELD HINGE, BLUE SPRING
8	008097-000	1	FRAME, GLASS, ALUMINUM
9	004688-000	1	PANEL, INSL, DOOR, LINER
10	PE060039	2	GLASS-HEAT TREATED (HB2) VDSC
11	A2002189	2	DOOR GLASS STANDOFF (VDSC)
12	PD020033	4	SRW-NO.10-24X1/2T(23)PH.WFR HD (NKL)
13	PB070150	1	FIBERGLASS ROPE, 3/8 DIA.
14	000042-000	1	30 DOOR GASKET
15	001142-000	1	PLUG, DOOR, ASM, PORCELAIN
16	004691-000	1	LINER, DOOR, ASM, ASSY, GSC
17	007583-000	2	BRACKET, GLASS
18	PE060031	1	J-MOLD (LARGE WINDOW)
19	PE060030	1	GLASS-OUTER DOOR BK SCREENED,TEMP
20	PD030010	4	NO.10-24 KEPS NUT
21	PD020073	9	SRW NO.10 X 24 X 3/8 WAFER HD TYPE23
22	004907-000	4	STEEL FINISHING PLUG, NICKEL PLTD 25/64 HOLE
23	003012-000	1	DOOR HANDLE ENDCAP ASSY, RH (CHROME)
23	003012-100	1	DOOR HANDLE ENDCAP ASSY, RH (BRASS)
24	002728-000	1	DOOR HANDLE - SS, 1.25 OD
NI	009203-000	1	DOOR ASSY, SS VGCC548 RH W/O LOGO
NI	013137-002	1	DOOR ASSY, VGCC548 RH BK
NI	013137-003	1	DOOR ASSY, RH, W/O LOGO, BT
NI	013137-004	1	DOOR ASSY, RH, W/O LOGO, SG
NI	013137-005	1	DOOR ASSY, RH, W/O LOGO, GG
NI	013137-006	1	DOOR ASSY, RH, W/O LOGO, WH
NI	013137-008	1	DOOR ASSY, RH, W/O LOGO, BU
NI	013137-009	1	DOOR ASSY, RH, W/O LOGO, LE
NI	013137-010	1	DOOR ASSY, RH, W/O LOGO, MJ
NI	013137-012	1	DOOR ASSY, RH, W/O LOGO, VB
NI	013137-013	1	DOOR ASSY, RH, W/O LOGO, CB
NI	013137-015	1	DOOR ASSY, RH, W/O LOGO, PL
NI	013137-016	1	DOOR ASSY, RH, W/O LOGO, CH
NI	013137-017	1	DOOR ASSY, RH, W/O LOGO, TP
NI	013137-018	1	DOOR ASSY, RH, W/O LOGO, CW
NI	013137-019	1	DOOR ASSY, RH, W/O LOGO, OG
NI	013137-020	1	DOOR ASSY, RH, W/O LOGO, GM
NI	013137-021	1	DOOR ASSY, RH, W/O LOGO, SA
NI	013137-022	1	DOOR ASSY, RH, W/O LOGO, SE
NI	013137-023	1	DOOR ASSY, RH, W/O LOGO, IB
NI	013137-024	1	DOOR ASSY, RH, W/O LOGO, AR
NI	013137-025	1	DOOR ASSY, RH, W/O LOGO, RR
NI	013137-026	1	DOOR ASSY, CRS VGCC548 RH, PM
NI	013137-027	1	DOOR ASSY, RH, W/O LOGO, MS
NI	009203-100	1	DOOR ASSY, RH, W/O LOGO, SS/BR
NI	013137-102	1	DOOR ASSY, RH, W/O LOGO, BK/BR
NI	013137-003	1	DOOR ASSY, RH, W/O LOGO, BT
NI	013137-004	1	DOOR ASSY, RH, W/O LOGO, SG
NI	013137-005	1	DOOR ASSY, RH, W/O LOGO, GG
NI	013137-006	1	DOOR ASSY, RH, W/O LOGO, WH
NI	013137-008	1	DOOR ASSY, RH, W/O LOGO, BU
NI	013137-009	1	DOOR ASSY, RH, W/O LOGO, LE
NI	013137-010	1	DOOR ASSY, RH, W/O LOGO, MJ
NI	013137-012	1	DOOR ASSY, RH, W/O LOGO, VB

Ref #	Part Number	Qty.	Description
NI	013137-012	1	DOOR ASSY, RH, W/O LOGO, VB
NI	013137-013	1	DOOR ASSY, RH, W/O LOGO, CB
NI	013137-015	1	DOOR ASSY, RH, W/O LOGO, PL
NI	013137-016	1	DOOR ASSY, RH, W/O LOGO, CH
NI	013137-017	1	DOOR ASSY, RH, W/O LOGO, TP
NI	013137-018	1	DOOR ASSY, RH, W/O LOGO, CW
NI	013137-019	1	DOOR ASSY, RH, W/O LOGO, OG
NI	013137-020	1	DOOR ASSY, RH, W/O LOGO, GM
NI	013137-021	1	DOOR ASSY, RH, W/O LOGO, SA
NI	013137-022	1	DOOR ASSY, RH, W/O LOGO, SE
NI	013137-023	1	DOOR ASSY, RH, W/O LOGO, IB
NI	013137-024	1	DOOR ASSY, RH, W/O LOGO, AR
NI	013137-025	1	DOOR ASSY, RH, W/O LOGO, RR
NI	013137-026	1	DOOR ASSY, CRS VGCC548 RH , PM
NI	013137-027	1	DOOR ASSY, RH, W/O LOGO, MS
NI	008142-000	1	PANEL, DOOR, ASM, OTR, GSC548, SS
NI	009659-002	1	PANEL, DOOR ASM, OUTER, BK
NI	009659-003	1	PANEL, DOOR ASM, OUTER, BT
NI	009659-004	1	PANEL, DOOR ASM, OUTER, SG
NI	009659-005	1	PANEL, DOOR ASM, OUTER, GG
NI	009659-006	1	PANEL, DOOR ASM, OUTER, WH
NI	009659-008	1	PANEL, DOOR ASM, OUTER, BU
NI	009659-009	1	PANEL, DOOR ASM, OUTER, LE
NI	009659-010	1	PANEL, DOOR ASM, OUTER, MJ
NI	009659-012	1	PANEL, DOOR ASM, OUTER, VB
NI	009659-013	1	PANEL, DOOR ASM, OUTER, CB
NI	009659-015	1	PANEL, DOOR ASM, OUTER, PL
NI	009659-016	1	PANEL, DOOR ASM, OUTER, CH
NI	009659-017	1	PANEL, DOOR ASM, OUTER, TP
NI	009659-018	1	PANEL, DOOR ASM, OUTER, CW
NI	009659-019	1	PANEL, DOOR ASM, OUTER, OG
NI	009659-020	1	PANEL, DOOR ASM, OUTER, GM
NI	009659-021	1	PANEL, DOOR ASM, OUTER, SA
NI	009659-022	1	PANEL, DOOR ASM, OUTER, SE
NI	009659-023	1	PANEL, DOOR ASM, OUTER, IB
NI	009659-024	1	PANEL, DOOR ASM, OUTER, AR
NI	009659-025	1	PANEL, DOOR ASM, OUTER, RR
NI	009659-026	1	PANEL, DOOR ASM, OUTER, PM
NI	009659-027	1	PANEL, DOOR ASM, OUTER, MS
NI	008142-100	1	PANEL, DOOR, ASM, OTR, VGSC548, SSBR
NI	009659-102	1	PANEL, DOOR ASM, OUTER, BK/BR
NI	009659-003	1	PANEL, DOOR ASM, OUTER, BT
NI	009659-004	1	PANEL, DOOR ASM, OUTER, SG
NI	009659-005	1	PANEL, DOOR ASM, OUTER, GG
NI	009659-006	1	PANEL, DOOR ASM, OUTER, WH
NI	009659-008	1	PANEL, DOOR ASM, OUTER, BU
NI	009659-009	1	PANEL, DOOR ASM, OUTER, LE
NI	009659-010	1	PANEL, DOOR ASM, OUTER, MJ
NI	009659-012	1	PANEL, DOOR ASM, OUTER, VB
NI	009659-013	1	PANEL, DOOR ASM, OUTER, CB
NI	009659-015	1	PANEL, DOOR ASM, OUTER, PL
NI	009659-016	1	PANEL, DOOR ASM, OUTER, CH
NI	009659-017	1	PANEL, DOOR ASM, OUTER, TP
NI	009659-018	1	PANEL, DOOR ASM, OUTER, CW
NI	009659-019	1	PANEL, DOOR ASM, OUTER, OG
NI	009659-020	1	PANEL, DOOR ASM, OUTER, GM
NI	009659-021	1	PANEL, DOOR ASM, OUTER, SA
NI	009659-022	1	PANEL, DOOR ASM, OUTER, SE
NI	009659-023	1	PANEL, DOOR ASM, OUTER, IB
NI	009659-024	1	PANEL, DOOR ASM, OUTER, AR

Ref #	Part Number	Qty.	Description
NI	009659-024	1	PANEL, DOOR ASM, OUTER, AR
NI	009659-025	1	PANEL, DOOR ASM, OUTER, RR
NI	009659-026	1	PANEL, DOOR ASM, OUTER, PM
NI	009659-027	1	PANEL, DOOR ASM, OUTER, MS



Ref #	Part Number	Qty.	Description
1	003011-000	1	DOOR HANDLE ENDCAP ASSY, LH (CHROME)
1	003011-100	1	DOOR HANDLE ENDCAP ASSY, LH (BRASS)
2	003650-000	2	SET SCREW
3	004683-000	1	PANEL
4	002736-000	4	NO.10-32 PAN HEAD PHILLIPS MACHINE SCREW
5	004685-000	1	INSULATION, DOOR, PANEL
6	006553-000	1	DOOR BRACKET, WELD ASSY
7	002740-000	2	MANSFIELD HINGE, BLUE SPRING
8	008097-000	1	FRAME, GLASS, ALUMINUM
9	004688-000	1	PANEL, INSL, DOOR, LINER
10	PE060039	2	GLASS-HEAT TREATED (HB2) VDSC
11	A2002189	2	DOOR GLASS STANDOFF (VDSC)
12	PD020033	4	SRW-NO.10-24X1/2T(23)PH.WFR HD (NKL)
13	PB070150	1	FIBERGLASS ROPE, 3/8 DIA.
14	000042-000	1	30 DOOR GASKET
15	001142-000	1	PLUG, DOOR, ASM, PORCELAIN
16	004691-000	1	LINER, DOOR, ASM, ASSY, GSC
17	007583-000	2	BRACKET, GLASS
18	PE060031	1	J-MOLD (LARGE WINDOW)
19	PE060030	1	GLASS-OUTER DOOR BK SCREENED,TEMP
20	PD030010	4	NO.10-24 KEPS NUT
21	PD020073	9	SRW NO.10 X 24 X 3/8 WAFER HD TYPE23
22	004907-000	4	STEEL FINISHING PLUG, NICKEL PLTD 25/64 HOLE
23	004684-000	1	PANEL, DOOR, INSULATION, GSC
24	003012-000	1	DOOR HANDLE ENDCAP ASSY, RH (CHROME)
24	003012-100	1	DOOR HANDLE ENDCAP ASSY, RH (BRASS)
25	002728-000	1	DOOR HANDLE - SS, 1.25 OD
26	PE010030	1	LOGO, 6, PRO, BK
26	PE010068	1	LOGO, 6, PRO, BK/BR
27	PD030006	2	CAPPED WASHER PAL NUT
NI	027926-000	1	DOOR ASSY, LH, W/ LOGO, SS
NI	027946-002	1	DOOR ASSY, LH, W/ LOGO, BK
NI	027946-003	1	DOOR ASSY, LH, W/ LOGO, BT
NI	027946-004	1	DOOR ASSY, LH, W/ LOGO, SG
NI	027946-005	1	DOOR ASSY, LH, W/ LOGO, GG
NI	027946-006	1	DOOR ASSY, LH, W/ LOGO, WH
NI	027946-008	1	DOOR ASSY, LH, W/ LOGO, BU
NI	027946-009	1	DOOR ASSY, LH, W/ LOGO, LE
NI	027946-010	1	DOOR ASSY, LH, W/ LOGO, MJ
NI	027946-012	1	DOOR ASSY, LH, W/ LOGO, VB
NI	027946-013	1	DOOR ASSY, LH, W/ LOGO, CB
NI	027946-015	1	DOOR ASSY, LH, W/ LOGO, PL
NI	027946-016	1	DOOR ASSY, LH, W/ LOGO, CH
NI	027946-017	1	DOOR ASSY, LH, W/ LOGO, TP
NI	027946-018	1	DOOR ASSY, LH, W/ LOGO, CW
NI	027946-019	1	DOOR ASSY, LH, W/ LOGO, OG
NI	027946-020	1	DOOR ASSY, LH, W/ LOGO, GM
NI	027946-021	1	DOOR ASSY, LH, W/ LOGO, SA
NI	027946-022	1	DOOR ASSY, LH, W/ LOGO, SE
NI	027946-023	1	DOOR ASSY, LH, W/ LOGO, IB
NI	027946-024	1	DOOR ASSY, LH, W/ LOGO, AR
NI	027946-025	1	DOOR ASSY, LH, W/ LOGO, RR
NI	027946-026	1	DOOR ASSY, LH, W/ LOGO, PM
NI	027946-027	1	DOOR ASSY, LH, W/ LOGO, MS
NI	027926-100	1	DOOR ASSY, LH, W/ LOGO, SS/BR
NI	027946-102	1	DOOR ASSY, LH, W/ LOGO, BK/BR
NI	027946-103	1	DOOR ASSY, LH, W/ LOGO, BT/BR
NI	027946-104	1	DOOR ASSY, LH, W/ LOGO, SG/BR
NI	027946-105	1	DOOR ASSY, LH, W/ LOGO, GG/BR
NI	027946-106	1	DOOR ASSY, LH, W/ LOGO, WH/BR

Ref #	Part Number	Qty.	Description
NI	027946-106	1	DOOR ASSY, LH, W/ LOGO, WH/BR
NI	027946-108	1	DOOR ASSY, LH, W/ LOGO, BU/BR
NI	027946-109	1	DOOR ASSY, LH, W/ LOGO, LE/BR
NI	027946-110	1	DOOR ASSY, LH, W/ LOGO, MJ/BR
NI	027946-112	1	DOOR ASSY, LH, W/ LOGO, VB/BR
NI	027946-113	1	DOOR ASSY, LH, W/ LOGO, CB/BR
NI	027946-115	1	DOOR ASSY, LH, W/ LOGO, PL/BR
NI	027946-116	1	DOOR ASSY, LH, W/ LOGO, CH/BR
NI	027946-117	1	DOOR ASSY, LH, W/ LOGO, TP/BR
NI	027946-118	1	DOOR ASSY, LH, W/ LOGO, CW/BR
NI	027946-119	1	DOOR ASSY, LH, W/ LOGO, OG/BR
NI	027946-120	1	DOOR ASSY, LH, W/ LOGO, GM/BR
NI	027946-121	1	DOOR ASSY, LH, W/ LOGO, SA/BR
NI	027946-122	1	DOOR ASSY, LH, W/ LOGO, SE/BR
NI	027946-123	1	DOOR ASSY, LH, W/ LOGO, IB/BR
NI	027946-124	1	DOOR ASSY, LH, W/ LOGO, AR/BR
NI	027946-125	1	DOOR ASSY, LH, W/ LOGO, RR/BR
NI	027946-126	1	DOOR ASSY, LH, W/ LOGO, PM/BR
NI	027946-127	1	DOOR ASSY, LH, W/ LOGO, MS/BR
NI	026002-000	1	PANEL, DOOR ASM, OUTER, SS
NI	026273-002	1	PANEL, DOOR ASM, OUTER, BK
NI	026273-003	1	PANEL, DOOR ASM, OUTER, BT
NI	026273-004	1	PANEL, DOOR ASM, OUTER, SG
NI	026273-005	1	PANEL, DOOR ASM, OUTER, GG
NI	026273-006	1	PANEL, DOOR ASM, OUTER, WH
NI	026273-008	1	PANEL, DOOR ASM, OUTER, BU
NI	026273-009	1	PANEL, DOOR ASM, OUTER, LE
NI	026273-010	1	PANEL, DOOR ASM, OUTER, MJ
NI	026273-012	1	PANEL, DOOR ASM, OUTER, VB
NI	026273-013	1	PANEL, DOOR ASM, OUTER, CB
NI	026273-015	1	PANEL, DOOR ASM, OUTER, PL
NI	026273-016	1	PANEL, DOOR ASM, OUTER, CH
NI	026273-017	1	PANEL, DOOR ASM, OUTER, TP
NI	026273-018	1	PANEL, DOOR ASM, OUTER, CW
NI	026273-019	1	PANEL, DOOR ASM, OUTER, OG
NI	026273-020	1	PANEL, DOOR ASM, OUTER, GM
NI	026273-021	1	PANEL, DOOR ASM, OUTER, SA
NI	026273-022	1	PANEL, DOOR ASM, OUTER, SE
NI	026273-023	1	PANEL, DOOR ASM, OUTER, IB
NI	026273-024	1	PANEL, DOOR ASM, OUTER, AR
NI	026273-025	1	PANEL, DOOR ASM, OUTER, RR
NI	026273-026	1	PANEL, DOOR ASM, OUTER, PM
NI	026273-027	1	PANEL, DOOR ASM, OUTER, MS
NI	026002-100	1	PANEL, DOOR ASM, OUTER, SS/BR
NI	026273-102	1	PANEL, DOOR ASM, OUTER, BK/BR
NI	026273-103	1	PANEL, DOOR ASM, OUTER, BT/BR
NI	026273-104	1	PANEL, DOOR ASM, OUTER, SG/BR
NI	026273-105	1	PANEL, DOOR ASM, OUTER, GG/BR
NI	026273-106	1	PANEL, DOOR ASM, OUTER, WH/BR
NI	026273-108	1	PANEL, DOOR ASM, OUTER, BU/BR
NI	026273-109	1	PANEL, DOOR ASM, OUTER, LE/BR
NI	026273-110	1	PANEL, DOOR ASM, OUTER, MJ/BR
NI	026273-112	1	PANEL, DOOR ASM, OUTER, VB/BR
NI	026273-113	1	PANEL, DOOR ASM, OUTER, CB/BR
NI	026273-115	1	PANEL, DOOR ASM, OUTER, PL/BR
NI	026273-116	1	PANEL, DOOR ASM, OUTER, CH/BR
NI	026273-117	1	PANEL, DOOR ASM, OUTER, TP/BR
NI	026273-118	1	PANEL, DOOR ASM, OUTER, CW/BR
NI	026273-119	1	PANEL, DOOR ASM, OUTER, OG/BR
NI	026273-120	1	PANEL, DOOR ASM, OUTER, GM/BR

Ref #	Part Number	Qty.	Description
NI	026273-120	1	PANEL, DOOR ASM, OUTER, GM/BR
NI	026273-121	1	PANEL, DOOR ASM, OUTER, SA/BR
NI	026273-122	1	PANEL, DOOR ASM, OUTER, SE/BR
NI	026273-123	1	PANEL, DOOR ASM, OUTER, IB/BR
NI	026273-124	1	PANEL, DOOR ASM, OUTER, AR/BR
NI	026273-125	1	PANEL, DOOR ASM, OUTER, RR/BR
NI	026273-126	1	PANEL, DOOR ASM, OUTER, PM/BR
NI	026273-127	1	PANEL, DOOR ASM, OUTER, MS/BR

*No Image
Available*

Ref #	Part Number	Qty.	Description
NI	027602-000	1	HARNESS, 60 LH OVEN, 24 GRDL
NI	000647-000	3	IRIS IGNITOR WIRE, FRONT BURNER
NI	000648-000	2	IRIS IGNITOR WIRE, BACK BURNER
NI	006766-000	1	IRIS IGNITOR WIRE, BACK BURNER
NI	025018-000	1	WIRE HARNESS, MAIN, VGCC560 B/Q
NI	027601-000	1	HARNESS, OVEN, LH T/STAT, 60
NI	027587-000	1	HARNESS, T/STAT, VGCC548-4G
NI	012828-000	1	HARNESS, GROUND, DSI, VDSC536-4G
NI	G4000936	2	GROUND WIRE
NI	024606-000	4	WIRE, BAKE, ELECTRODE, ASM
NI	024605-000	4	WIRE, BRL, ELECTRODE, ASM
NI	023750-000	1	CORD, SUPPLY
NI	PE070892	1	IRIS HARNESS - 60
NI	013408-000	2	GRIDDLE HEADER
NI	015745-000	1	HARNESS, GRIDDLE/CC OVEN THERMOSTAT
NI	030292-000	2	RTD JUMPER
NI	023040-000	1	HARNESS, CNVN, SWITCH, ASM
NI	043838-000	1	60 SPILL GUTTER KIT 1 (FOR UNITS MANUFACTURED BEFORE 1/3/13)
NI	015357-000	1	IGNITOR, W/WIRE