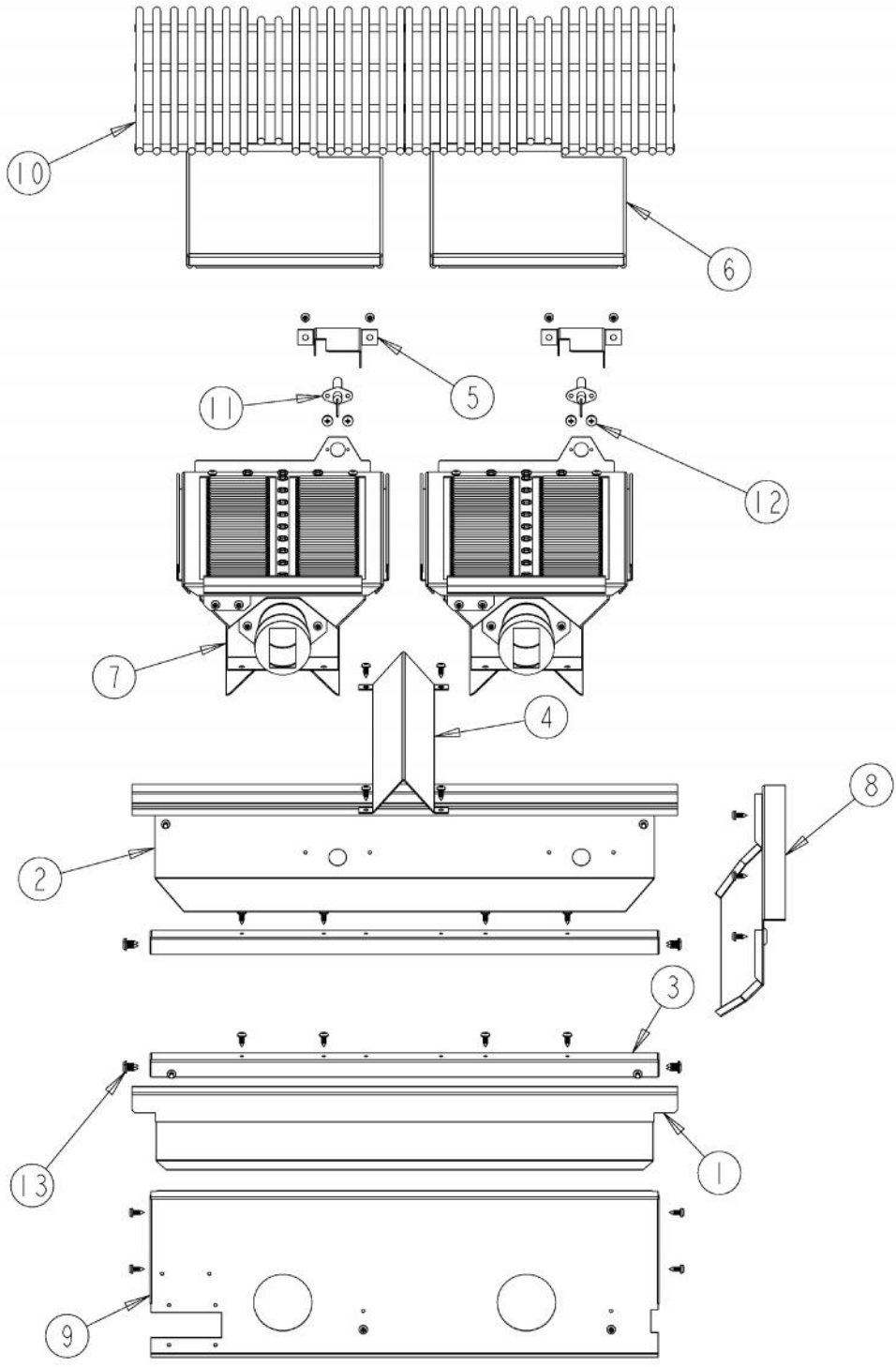
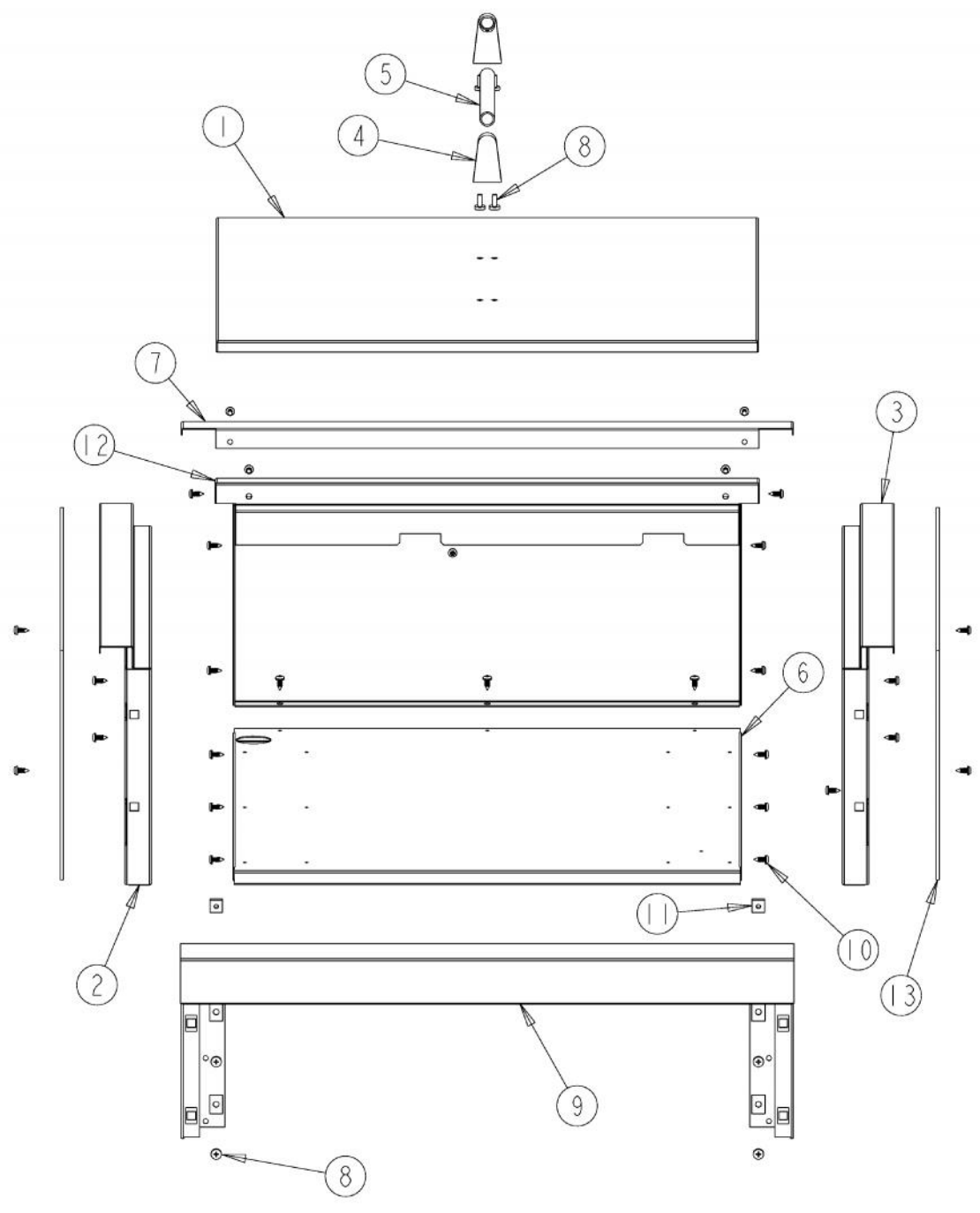


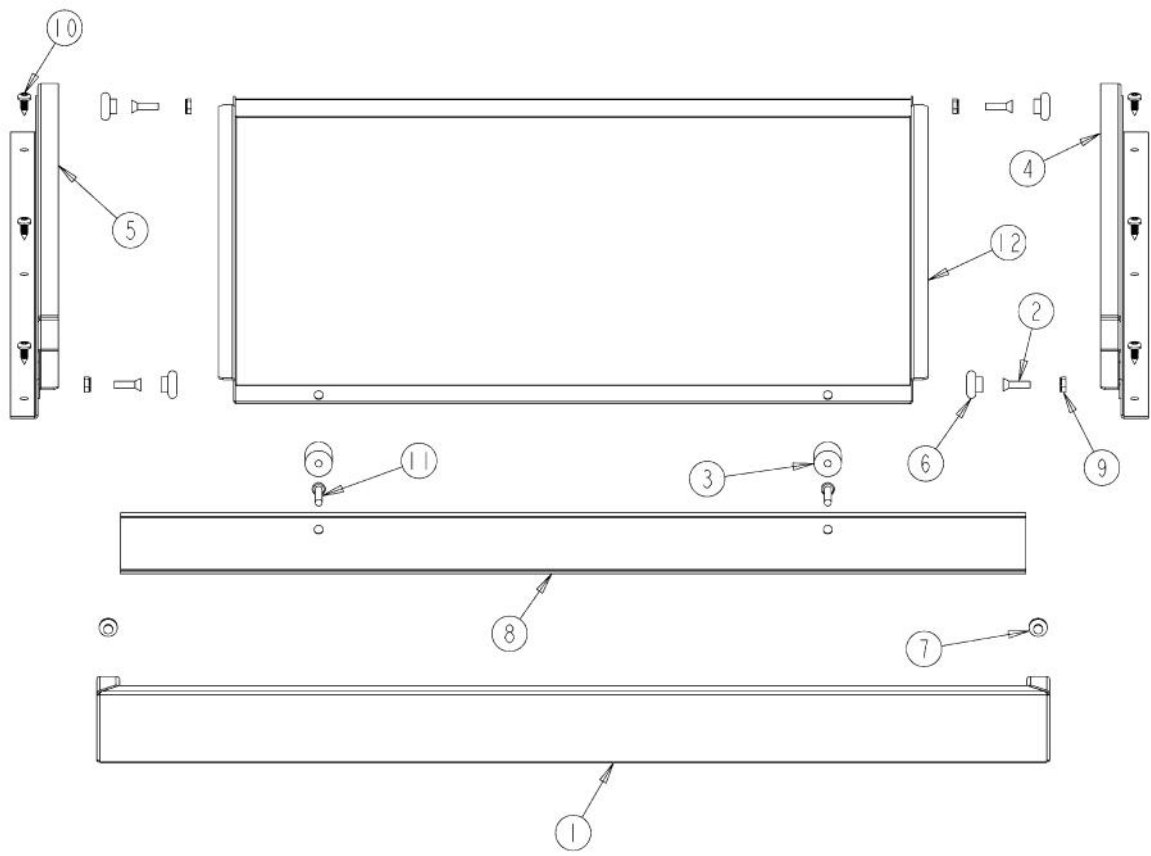
Ref #	Part Number	Qty.	Description
1	B10012231		MANIFOLD COVER
2	B10012232		MANIFOLD COVER
3	B20012222		BRACKET, SPARK MODULE
4	B20013856		VENTURI COVER
5	PD020067		NO.6 X 3/8 PAN PHIL. TEK SS
6	PD010012		VALVE BOLT 1/4-20 UNC-2B 5/16 M.S.
7	PE010142		3 LOGO XBKXXCHROME
	PE010143		3 LOGO BK/BR
8	PD030006		CAPPED WASHER PAL NUT
9	B92013857		CONTROL PANEL (VGIB241T)
10	PA020036		SPARK MODULE
11	PA020045		IGNITOR SWITCH
12	PB010208		BEZEL, CHROME PLATE
	PB010209		BEZEL BRASS
13	PB040167		MALE COUPLER (PHASE 1 GRILL)
14	PB010163		OVEN LIGHT SWITCH KNOB BK
15	PD020056		NO.10-24 X 1/2 PH.TR. M.S. SS
16	PA050125		24 TRUSEAR GRILLER MANIFOLD
17	PD020055		NO.10 X 1/2 PAN PHIL. TEK. SS
18	PD020166		NO.10 X 3/4 PAN PHIL. TEK. XSSX
19	PD030050		10-24 CAGE NUT SS
20	PE050063		SPARKER SWITCH
21	PA010189		OUTDOOR IR GRILL KNOB
22	PA010190		I/R BURNER VALVE (NAT)
	PA010191		SUB TO 003572-000 - I/R BURNER VALVE (LP)



Ref #	Part Number	Qty.	Description
1	B20013858		FRONT GREASE DIVERTER
2	B20013859		REAR GREASE DIVERTER
3	B20013861		BURNER SUPPORT BRACKET
4	B20014948		CENTER HEAT SHIELD
5	B2008939		IR SPARK IGNITOR COVER
6	B2008943		GREASE SCREEN
7	G32012223		IR BURNER ASSY, VGIB
8	B20014921		GREASE DIVERTER
9	B20013860		GRILL BOX FRONT
10	PA060052		GRILL COOKING GRATES
11	PB040176		IGNITER
12	PD020056		NO.10-24 X 1/2 PH.TR. M.S. SS
13	PD020055		NO.10 X 1/2 PAN PHIL. TEK. SS
NI	G4006384		WIRE ASSY (VGBQ-T SERIES) 7 NOT FIELD REPLACEABLE
NI	G4006378		WIRE ASSY (VGBQ-T SERIES) 25
NI	G40012269		GRILL WIRE
NI	G40014949		WIRE ASSEMBLY - 46''''

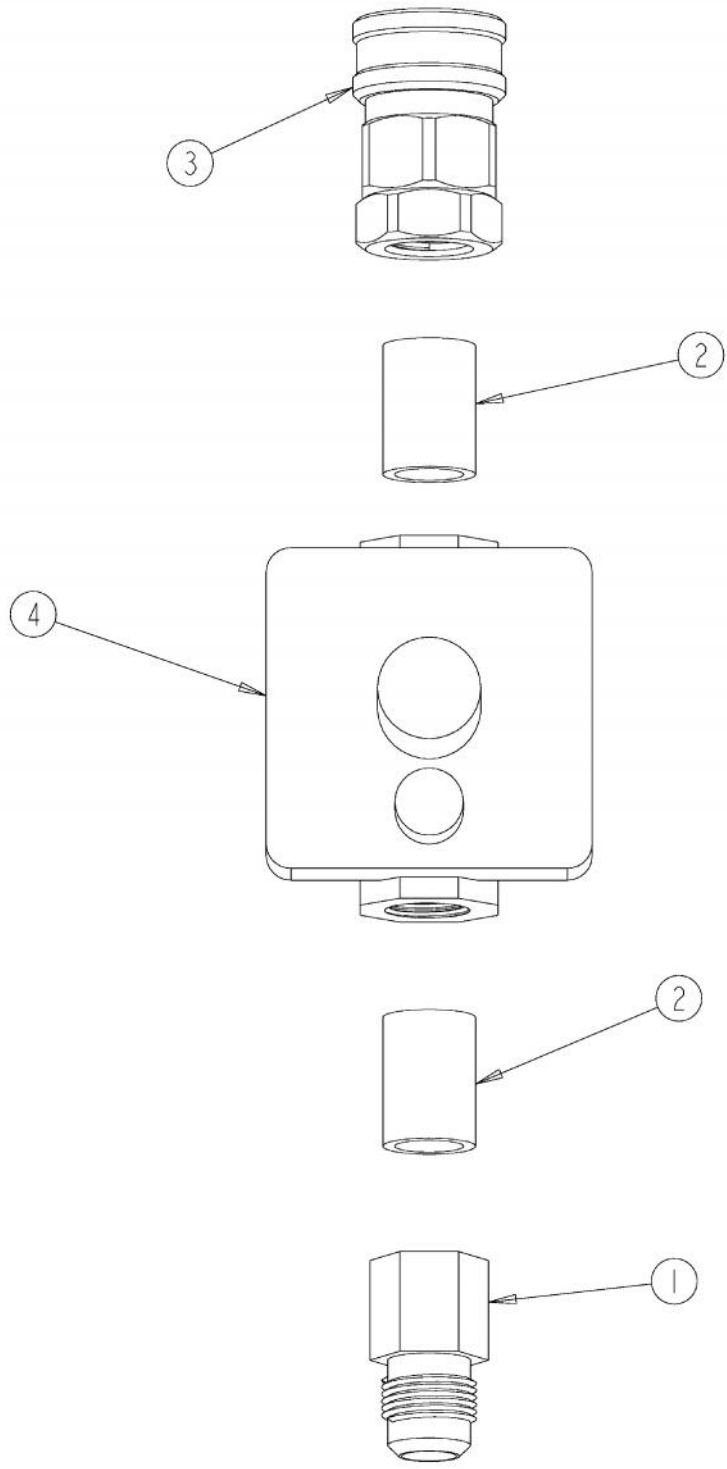


Ref #	Part Number	Qty.	Description
1	B20013854		COVER (VGIB241T)
2	B20012951		GRILL BOX SIDE, LH
3	B20012950		GRILL BOX SIDE, RH
4	PE030187		ENDCAP, TUBE
5	PE030197		VGIQ30 COVER HANDLE
6	B2006347		OUTDOOR WOK BOTTOM (VGWT241T)
7	B2006357		OUTDOOR WOK CABINET REAR TRIM P2
8	PD020056		NO.10-24 X 1/2 PH.TR. M.S. SS
9	G3006352		OUTDOOR WOK LANDING LEDGE PHASE II
10	PD020055		NO.10 X 1/2 PAN PHIL. TEK. SS
11	PD030050		10-24 CAGE NUT SS
12	B2006348		SIDE BURNER BOX BACK (VGWT241T)
13	L1005398		SIDE HEAT SHIELD
NI	G32013855		BURNER COVER (INCLUDES ITEM NO. 1,4,5,8)

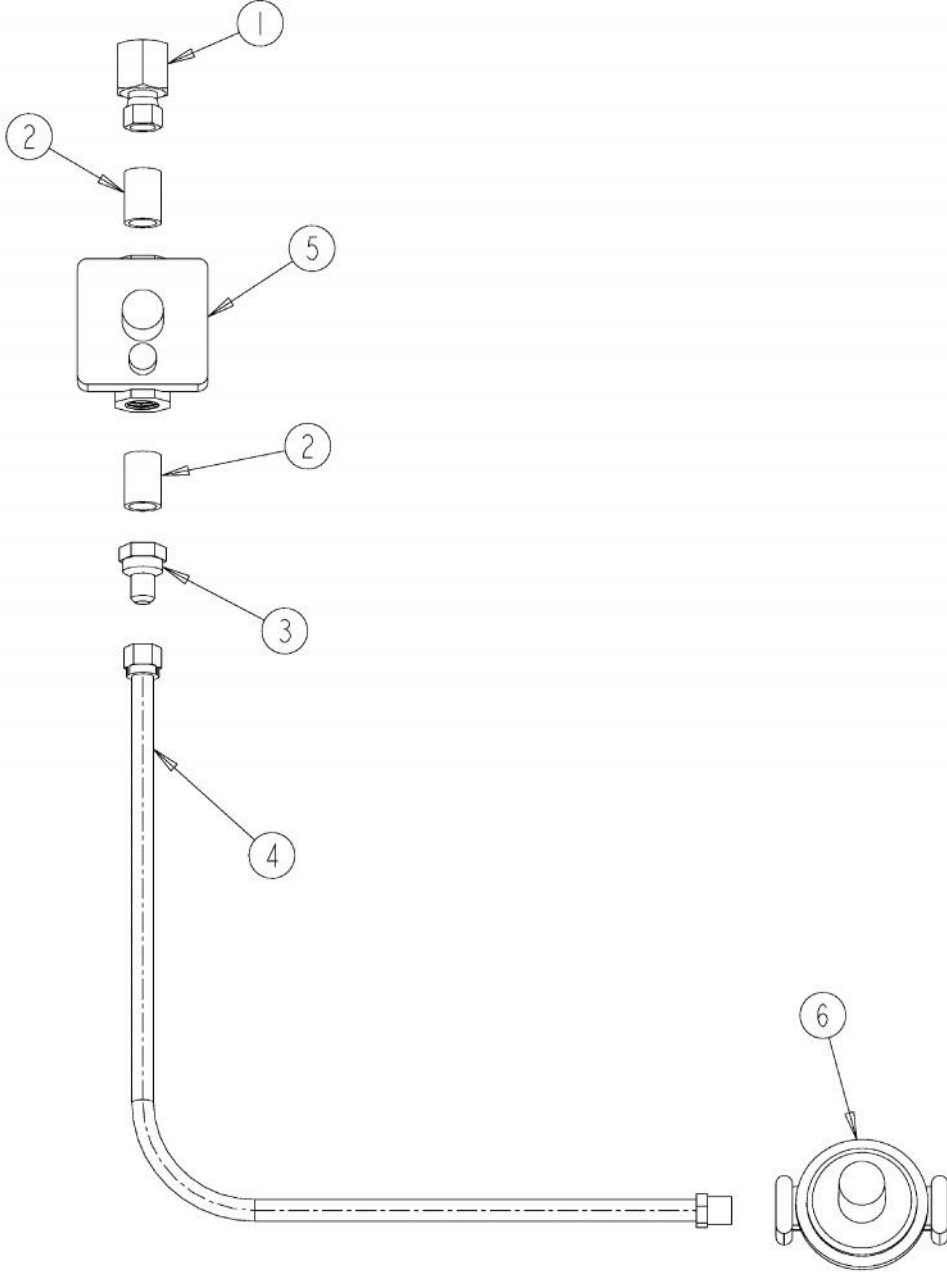


Ref #	Part Number	Qty.	Description
1	G30013864		DRIP TRAY HANDLE
2	PD020082		10 X 24 COUNTERSUNK S.S. SCREW
3	PD040028		BUSHING(.194ID/.750OD/.750LONG)
4	G3005215		DRIP TRAY SLIDE - RH
5	G3005214		DRIP TRAY SLIDE - LH
6	PC020025		DRIP TRAY WHEEL
7	PD040004		GROMMET BUMPER
8	B20013865		HANDLE BACK (VGIB241)
9	PD030044		10-24 KEPS NUT SS
10	PD020055		NO.10 X 1/2 PAN PHIL. TEK. SS
11	PD020079		NO.10 X 1 1/4 PH. PAN HD. T(A) NYLOK
12	B20013863		DRIP TRAY (VGIB241)
NI	G32013866	1	DRIP TRAY ASSY (VGIB241T)





Ref #	Part Number	Qty.	Description
1	PB020239		7/8 FLARE TO 1/2 FEMALE CONNECTOR
2	PB040046		1/2 CLOSE NIPPLE (VGSO166)
3	PB040166		FEMALE COUPLER (PHASE 1 GRILL)
4	PA070006		PRESSURE REGULATOR - NATURAL
NI	G3004936		REGULATOR ASSY - NAT (P1 GRILL)



Ref #	Part Number	Qty.	Description
1	PB040235		1/2NPT TO 3/8 FLARE COUPLING
2	PB040046		1/2 CLOSE NIPPLE (VGSO166)
3	PB040146		1/2 X 3/8 FLARE ADAPTER (VGBQ)
4	PB020227		HIGH PRESSURE LP HOSE
5	PA070005		PRESSURE REG.(LP) RV47L-77-10.0
6	PA070007		LP TANK REGULATOR (VGBQ)
NI	PA010128		SELECTOR KNOB ASSY
NI	G3004937		REGULATOR ASSY - L.P. W/HOSE