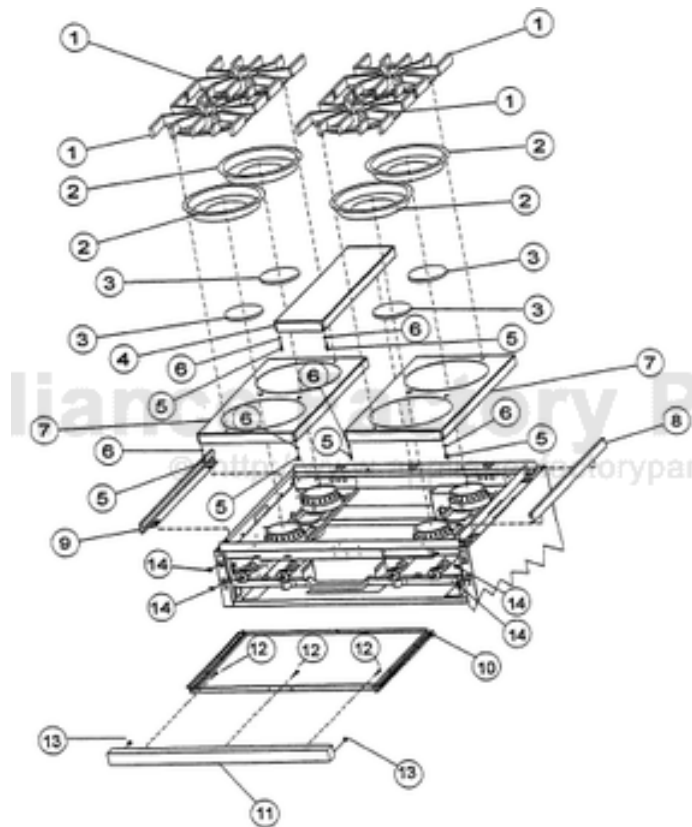


This Owner's Manual is provided and hosted by [Appliance Factory Parts](#).



VIKING VGIS300_2 Owner's Manual

[Shop genuine replacement parts for VIKING VGIS300_2](#)



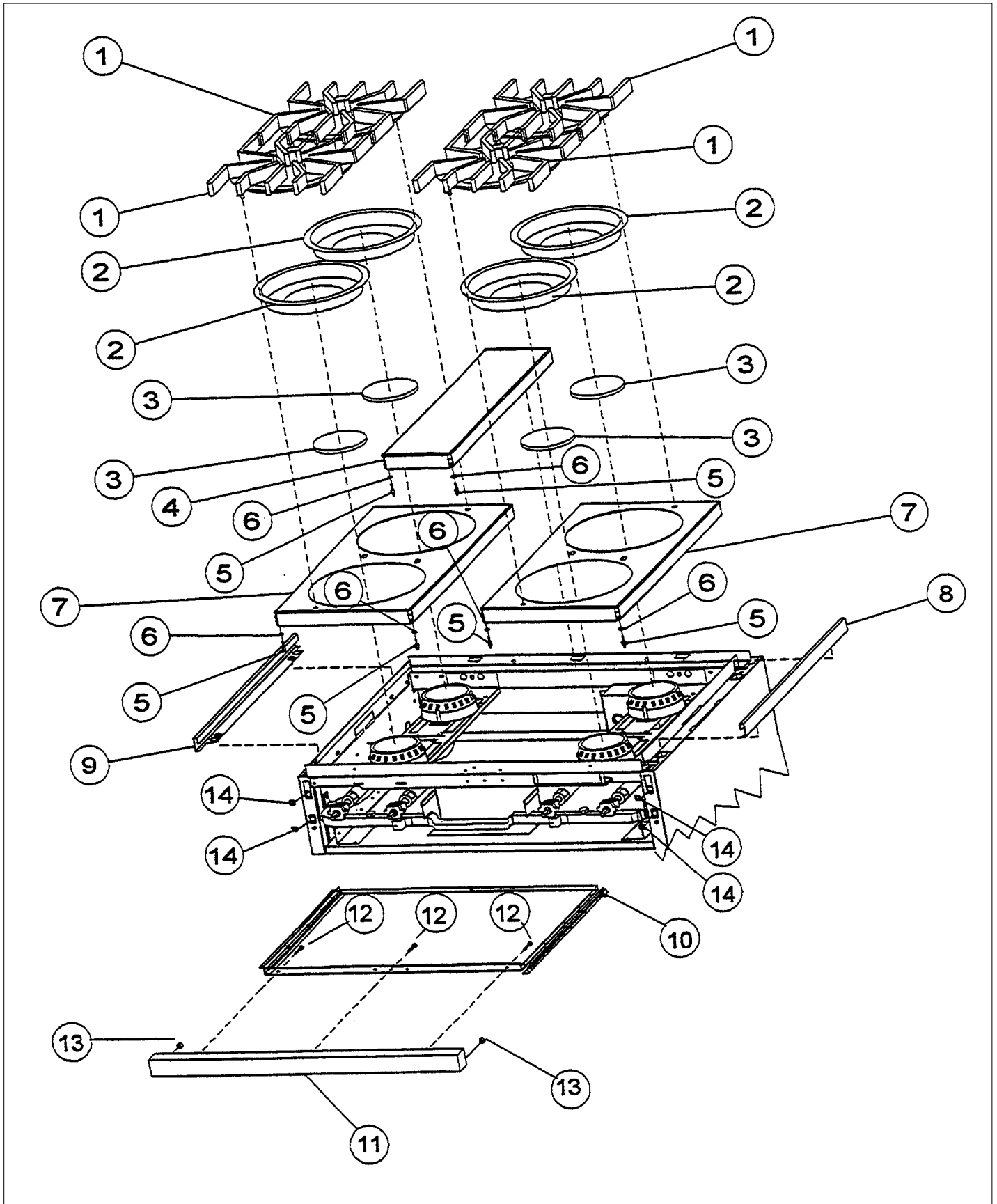
[Find Your VIKING Range Hoods Parts - Select From 411 Models](#)

----- Manual continues below -----

VGIS300

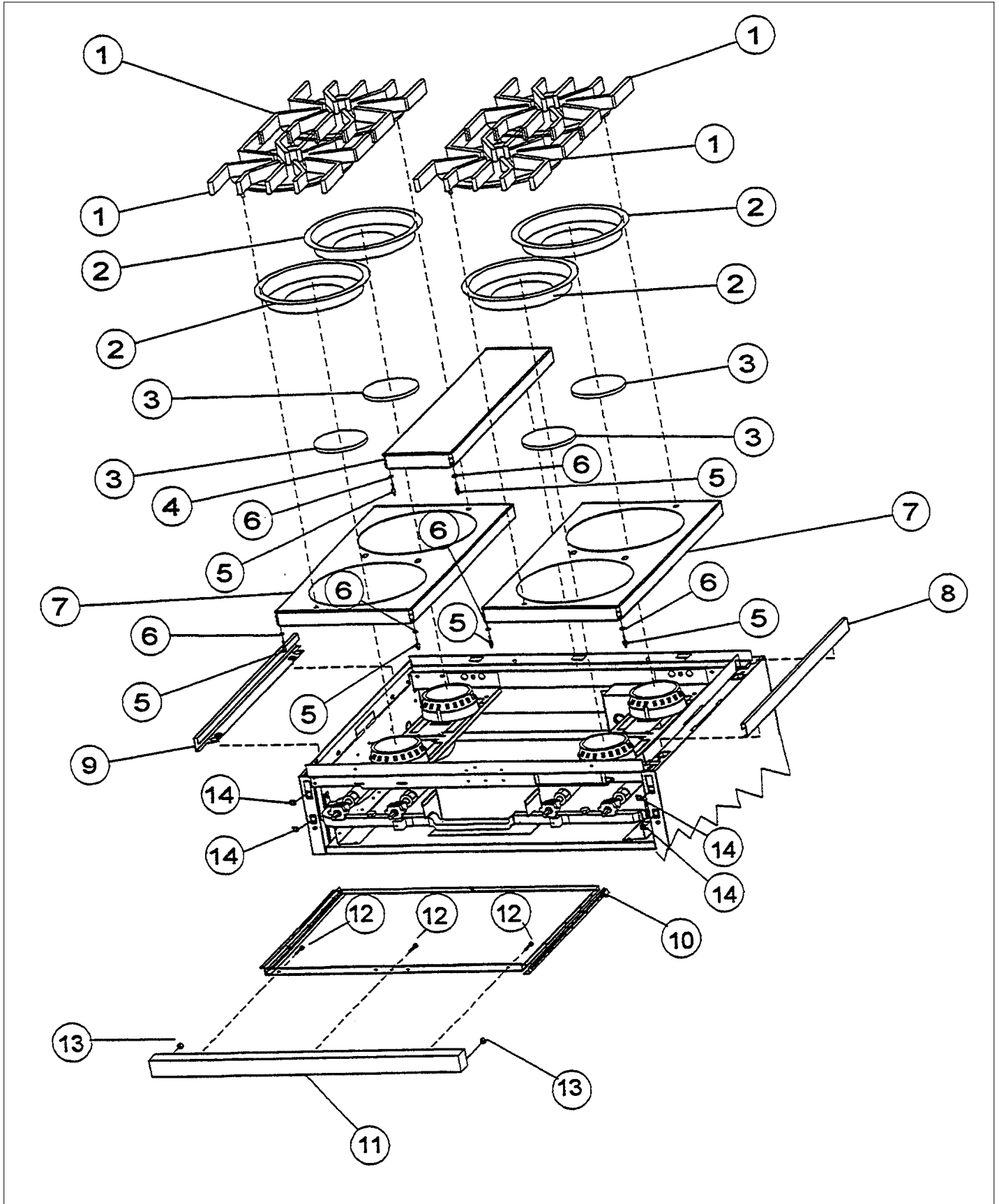
BURNER BOX EXTERIOR ASSY	1
BURNER BOX SUBASSEMBLY	2
CONTROL-RACK ASSY	3
DOOR AFTER 2-94	4
DOOR BEFORE 2-94	5
GAS - ELECTRICAL	6
PANEL-OVEN ASSY	7
Appendix A:Pages Index	A
Appendix B:Parts Index	B

BURNER BOX EXTERIOR ASSY





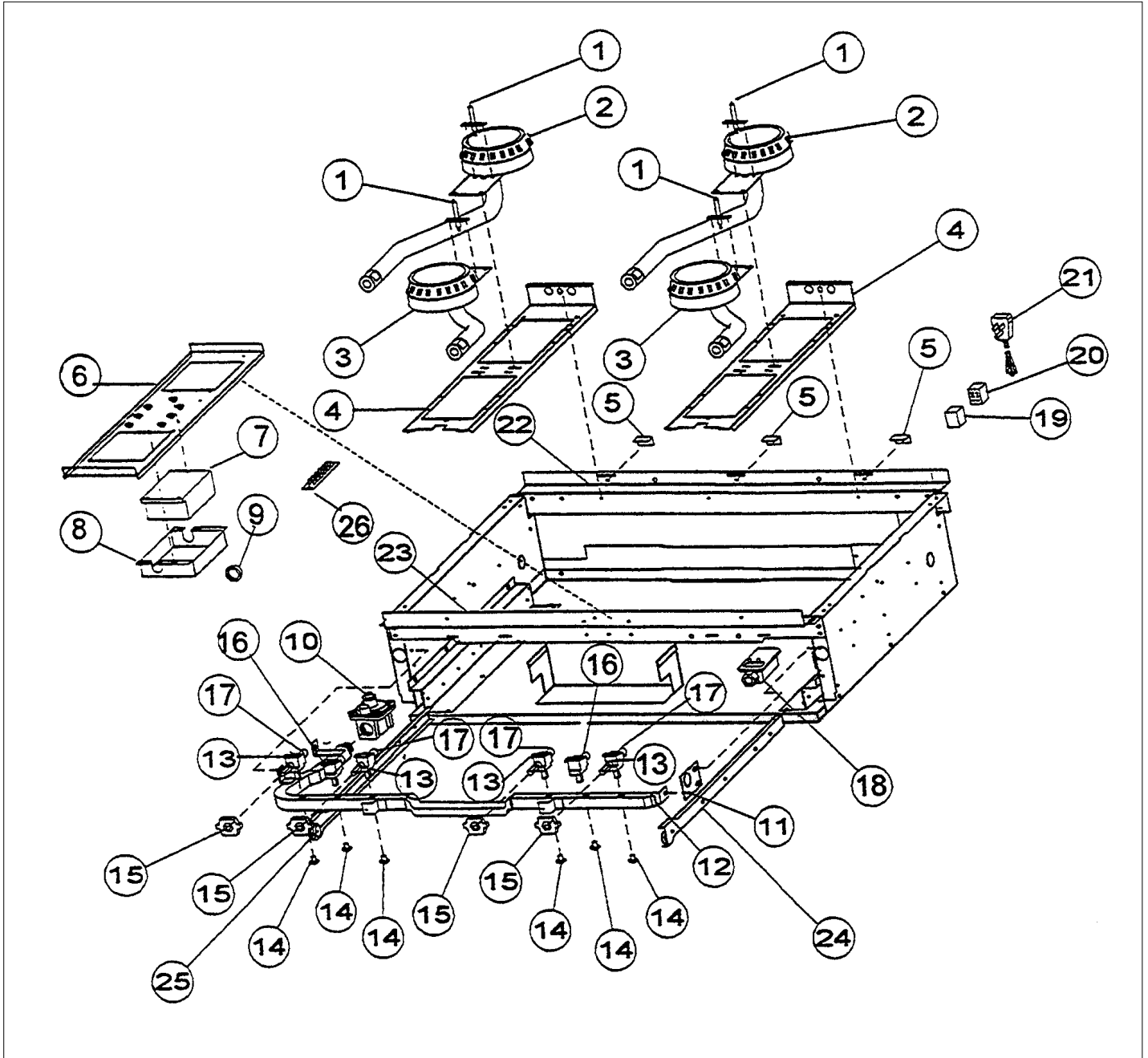
Item	Part No.	Name	Qty	Uom	NOTES
1	PA060037	GRATE BK REPL PA060024 (GEN.#2)	1	EA	
Not Shown	PA060038	GRAY GRATES	1	EA	
2	PA030002AL	BURNER BOWL - AL (FOR USE WITH UPGRADE KIT) NLA	1	EA	
Not Shown	PA030002BK	BURNER BOWL (VGRT) **BK**	1	EA	
Not Shown	PA030002FG	BURNER BOWL - FG (FOR USE WITH UPGRADE KIT) NLA	1	EA	
Not Shown	PA030002PL	BURNER BOWL (VGRT) **PL** NLA	1	EA	Not available online / Call for pricing and availability
Not Shown	PA030002VB	BURNER BOWL (VGRT) **VB** NLA	1	EA	
Not Shown	PA030002WH	BURNER BOWL (VGRT) **WH**	1	EA	
3	PA080015	BURNER CAP-VGRT *BK*	1	EA	
Not Shown	PA080016	BURNER CAP-VGRT (GRAY-MATT)	1	EA	
4	E9101408AL	CENTER WORK SPACE - AL	1	EA	Not available online / Call for pricing and availability
E9101408BK	E9104416BK	CENTER SPACER (VGSC306) *BK*	1	EA	
Not Shown	E9101408FG	CENTER WORK SPACE - FG	1	EA	Not available online / Call for pricing and availability
Not Shown	E9101408PL	CENTER WORK SPACE - PL	1	EA	Not available online / Call for pricing and availability
Not Shown	E9101408VB	CENTER WORK SPACE - VB	1	EA	Not available online / Call for pricing and availability
Not Shown	E9101408WH	CENTER WORK SPACE - WH	1	EA	Not available online / Call for pricing and availability
5	PD010017	BALL STUD (VGRT)	1	EA	
6	PD030012	6-32 HEX NUT	1	EA	
7	G50013584AL	GRATE SUPPORT - AL	1	EA	



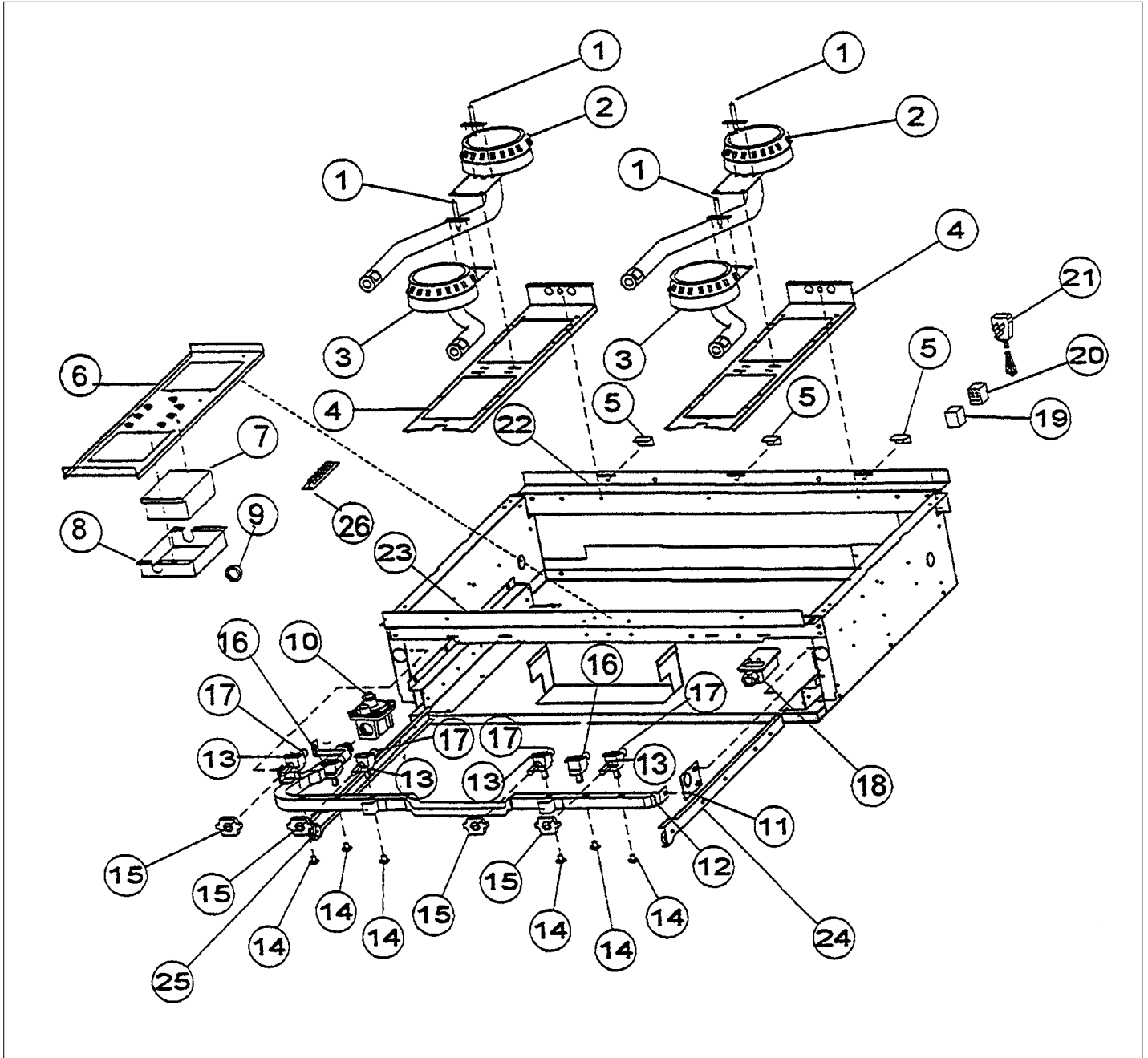


Item	Part No.	Name	Qty	Uom	NOTES
Not Shown	G50013584BK	GRATE SUPPORT SERVICE KIT (BK)	1	EA	
Not Shown	G50013584FG	GRATE SUPPORT - FG	1	EA	Not available online / Call for pricing and availability
Not Shown	G50013584PL	GRATE SUPPORT - PL	1	EA	Not available online / Call for pricing and availability
Not Shown	G50013584VB	GRATE SUPPORT - VB	1	EA	
Not Shown	G50013584WH	GRATE SUPPORT SERVICE KIT (WH)	1	EA	
8	B2002345	SIDE TRIM - RH (VGSS)	1	EA	
Not Shown	C9302345BR	SIDE TRIM - RH (VGSS) *BR*	1	EA	
9	B2002346	SIDE TRIM - LH (VGSS)	1	EA	
Not Shown	C9302346BR	SIDE TRIM - LH (VGSS) *BR*	1	EA	Not available online / Call for pricing and availability
10	G3101427	DRIP TRAY ASSY - (VGSC 30) RIVITED, NLA	1	EA	
11	B2001840	SUB TO PK010017 - D HNDLE(VGRC605)	1	EA	NO LONGER AVAILABLE, Not available online / Call for pricing and availability
Not Shown	C9301840PVD	DRIP TY HDLE REPL C9301840BR	1	EA	Not available online / Call for pricing and availability
12	PD010003	10-24 X 1/2 PH.TR.HD.SERD.M.S.	1	EA	
NI	PD030010	#10-24 KEPS NUT ZINC PLATED	1	EA	
13	PD040004	GROMMET BUMPER	1	EA	
14	PD030005	SELF RETAINING NUT	1	EA	

Item	Part No.	Name	Qty	Uom	NOTES
1	PA020028	SPARK IGNITER		EA	
2	PA080036	TOP BURNER REAR REPL PA080008		EA	
3	PA080037	TOP BURNER FRONT REPL PA080007		EA	
4	A2001112	BURNER SUPT (VGRT)		EA	
5	A2001147	GRATE SUPT ANGLE (VGRT)		EA	
6	A2001456	SPARK MODULE SUPT (VGSS/SC)		EA	
7	000511-000	SPARK MODULE		EA	
Not Shown	NOTE	Before serial # R11079714480		EA	
7	PA020041	TYTRONICS 0+4 SPARK MODULE		EA	
Not Shown	NOTE	After Serial # R11079714480		EA	
8	A2001432	SPARK MODULE/TERMINAL COVER		EA	NO LONGER AVAILABLE
9	PD040005	SNAP BUSHING - 7/8		EA	
10	PA070003	PRESSURE REGULATOR (NAT.)		EA	
11	A1001138	MANIFOLD BRKT		EA	NO LONGER AVAILABLE, Not available online / Call for pricing and availability
12	002156-000	30" UNIVERSAL MANIFOLD		EA	
13	003556-000	TOP BURNER VALVE		EA	
Not Shown	NOTE	(BEFORE SERIAL R11079714480)		EA	
13	G50012681	TOP BURNER VALVE KIT (ALUMINUM VALVE REPLACEMENT)		EA	
Not Shown	NOTE	(BEFORE 08/09/02)		EA	
13	G50012678	TOP BURNER VALVE KIT (BRASS VALVE REPLACEMENT)		EA	
Not Shown	NOTE	(BETWEEN 8/9/02 & 02/23/05)		EA	
13	003515-000	PA010157 VALVE AND BOLT KIT		EA	



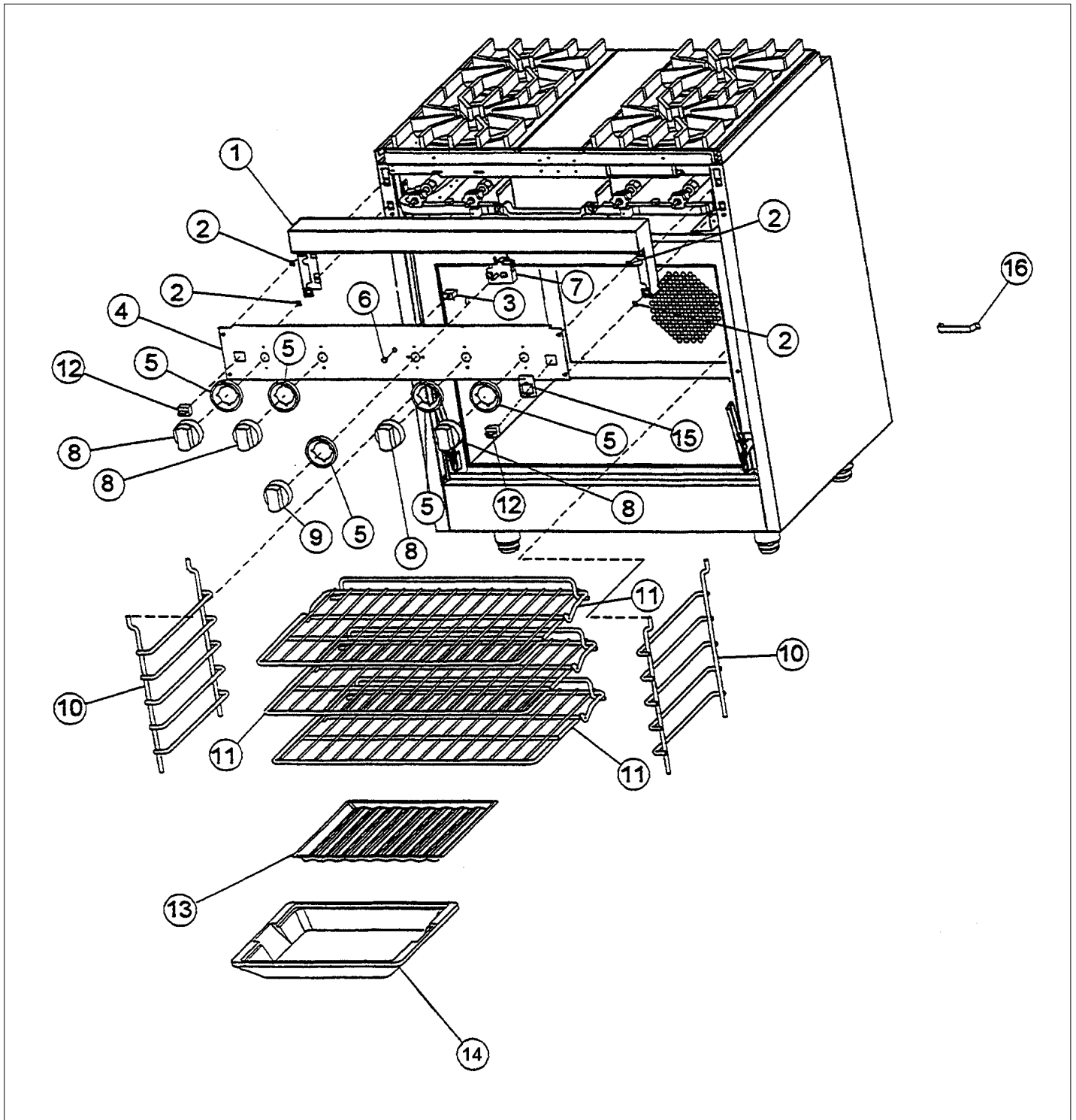
Item	Part No.	Name	Qty	Uom	NOTES
Not Shown	NOTE	(AFTER 02/23/05)		EA	
NI	PA020029	Switch Spacer		EA	
Not Shown	NOTE	(After Serial # R08090218539)		EA	
14	PD010012	1/4 x 3/8 VALVE BOLT		EA	
15	PA020015	Spark Ignition Switch		EA	
Not Shown	NOTE	(Before 2/23/05)		EA	
15	PA020045	Spark Ignition Switch		EA	
Not Shown	NOTE	(After 2/23/05)		EA	
16	007147-000	SHUT OFF VALVE		EA	
17	PB040034	ORIFICE HOOD-#50 (NAT)		EA	
Not Shown	PB040036	ORIFICE HOOD-#57 (LP)		EA	
18	PB010034	SINGLE THERMAL VALVE - 36" BUILT-IN		EA	
Not Shown	NOTE	(Before Serial # R01179700658)		EA	
Not Shown	PB010083	SINGLE THERMAL VALVE LH (OVEN)		EA	
Not Shown	NOTE	(After Serial # R01179700658)		EA	
19	PE070070	Disconnect Block - Male		EA	
20	PE070071	Disconnect Block - Female		EA	
21	PE070128	Supply Cord		EA	
Not Shown	NOTE	(After 2-95)		EA	
21	PE070068	SUPPLY CORD		EA	
Not Shown	NOTE	(Before 2-95)		EA	
22	A2002364	REAR BURNER SUPT VGSC/SS30		EA	
23	A2001404	FRONT BURNER HOLDER (VGSS)		EA	NO LONGER AVAILABLE
24	PK000008	Drip Tray Guide - RH		EA	
25	PK000007	DRIP TRAY GUIDE - LH (VGRT)		EA	
26	PE050001	TERMINAL BOARD		EA	



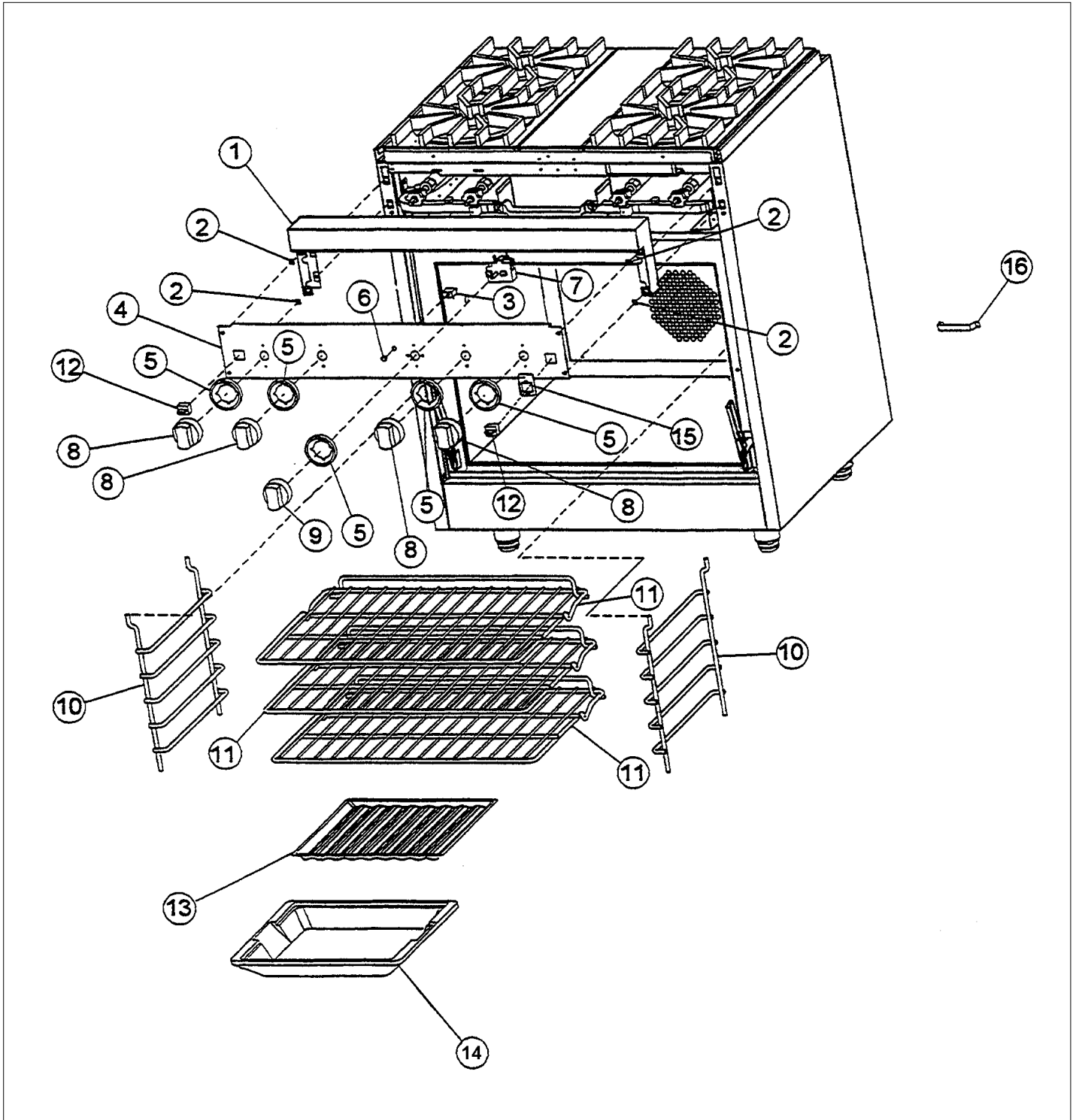


Item	Part No.	Name	Qty	Uom	NOTES
NI	PB020038	BROIL TUBING		EA	Not available online / Call for pricing and availability
NI	PE070719	IGNITOR WIRE KIT - VDSC3674Q		EA	
NI	G4001587	SPARK MODULE-TOP BRNR SPARKER (25)		EA	

CONTROL-RACK ASSY

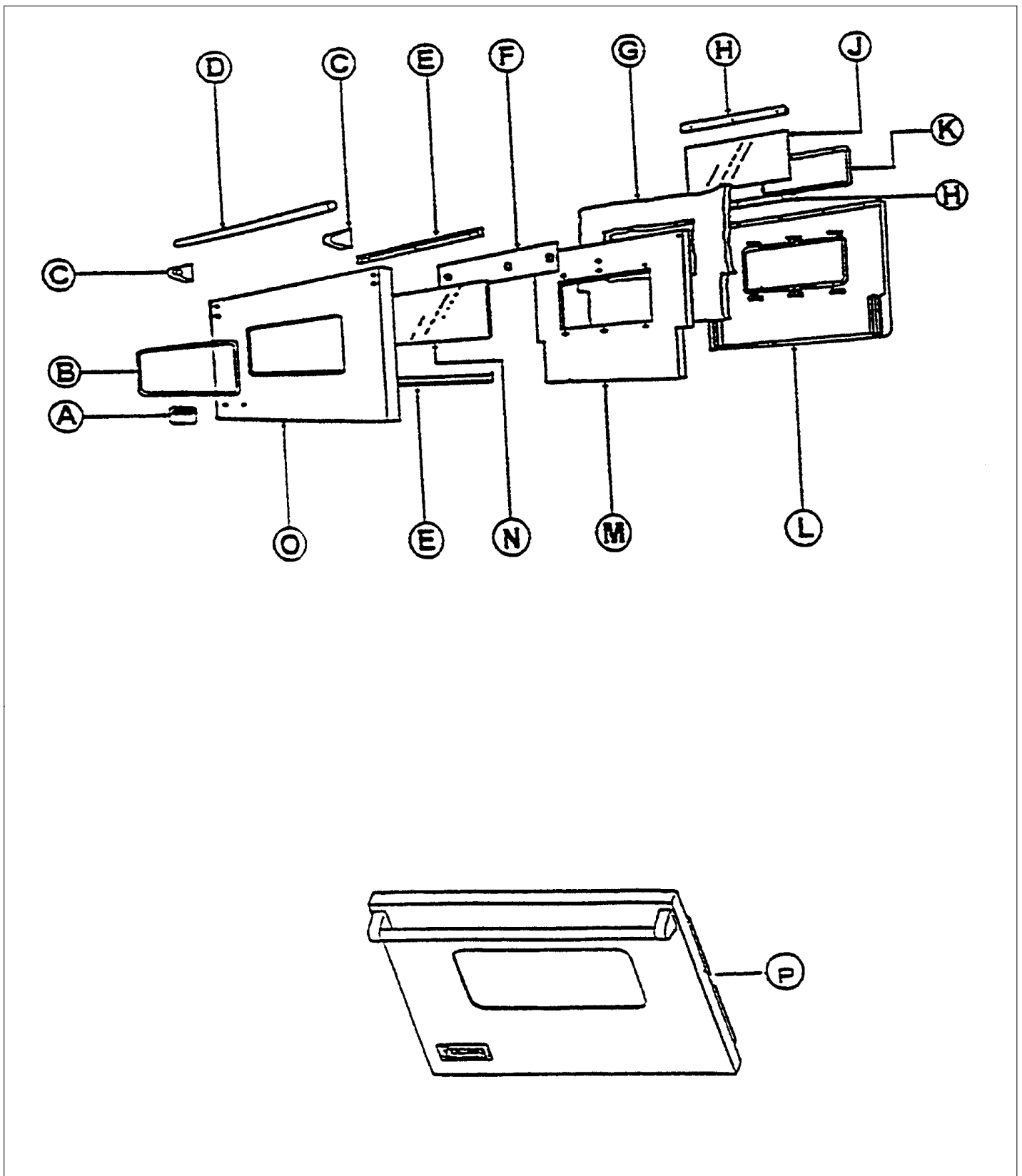


Item	Part No.	Name	Qty	Uom	NOTES
1	G3001406	LANDING LEDGE ASSY - NLA		EA	
2	PD030050	10-24 CAGE NUT *SS*		EA	
3	PE050024	OVEN IND. LIGHT (LIGHT HOUSING)		EA	
4	B9201948	CTRL PAN (VGIS300-4B)		EA	
5	050172-000	KNOB BEZEL		EA	
Not Shown	PB010209	Bezel - BR		EA	
6	PE050023	OVEN IND. LIGHT (LENS & BEZEL)		EA	
7	PB010036	THERMOSTAT BAKE/BROIL		EA	
8	PA010034	TOP BURNER KNOB-*BK* (NEW STYLE)		EA	
Not Shown	NOTE	(Before 08/09/02) - If original valve has never been replaced		EA	
Not Shown	PA010035	BURNER KNOB-WH NS REPL PA010028		EA	
Not Shown	NOTE	(Before 08/09/02) - If original valve has never been replaced		EA	
Not Shown	PB010206	TOP BURNER KNOB BK		EA	
Not Shown	NOTE	(After 08/09/02) - Or if original valve has been replaced		EA	
Not Shown	PB010207	TOP BURNER KNOB WH		EA	Not available online / Call for pricing and availability
Not Shown	NOTE	(After 08/09/02) - Or if original valve has been replaced		EA	
9	PB010099	T/STAT B/B KNOB BK REPL PB010039BK*		EA	
<p>Comments for Part Num. PB010099</p> <p>imardr@att.net on Nov 8, 2015 need to list the white knob for a VGIC3054BWH Reply by bradleysapplianceservice@shaw.ca on Sep 30, 2016 The White Knobs are NLA. Only Black are available. bradleysapplianceservice@shaw.ca on Sep 30, 2016 THE WHITE KNOBS ARE NLA. ONLY BLACK KNOBS ARE AVAILABLE.</p>					
Not Shown	NOTE	(After 1/95)		EA	

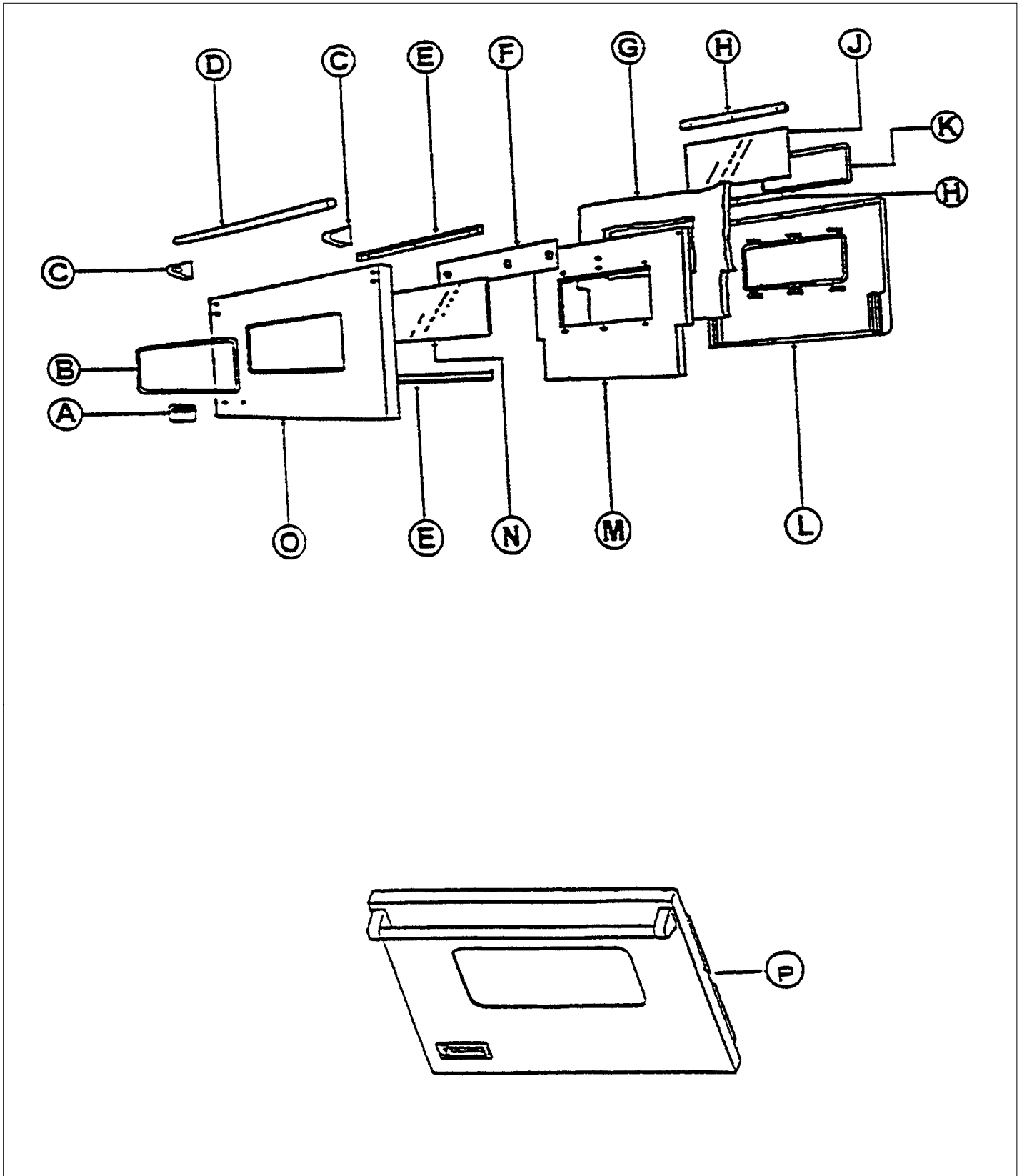


Item	Part No.	Name	Qty	Uom	NOTES
Not Shown	PB010100	THERMOSTAT BAKE/BROIL KNOB *WH* N/S		EA	
Not Shown	NOTE	(After 1/95)		EA	
Not Shown	PB010091	T/STAT BK/BRL KNB*BK*REP PB010016		EA	
Not Shown	NOTE	(Before 1/95)		EA	
Not Shown	PB010092	T/STAT BAK/BROL KNB*WH*-SC/RC-(VLOX		EA	
Not Shown	NOTE	(Before 1/95)		EA	
10	PB060018	OVEN RACK SUPPORT		EA	Not available online / Call for pricing and availability
11	PB060038	RACK REPL PB060011		EA	
12	PE050016	OVEN LIGHT SWITCH - *BK* (WES-GAR)		EA	
Not Shown	PE050017	OVEN LIGHT SWITCH - *WH* (WES-GAR)		EA	
13	E9107934	BROILER PAN INSERT - NLA		EA	
14	E9107933	BROILER PAN		EA	
15	PE010081	CONVECTION-LABEL/PLATE (CHROME)		EA	
Not Shown	PE010082	CONVECTION-LABEL/PLATE (*BR*)		EA	
16	A2001259	ANTI-TIP DEVICE		EA	

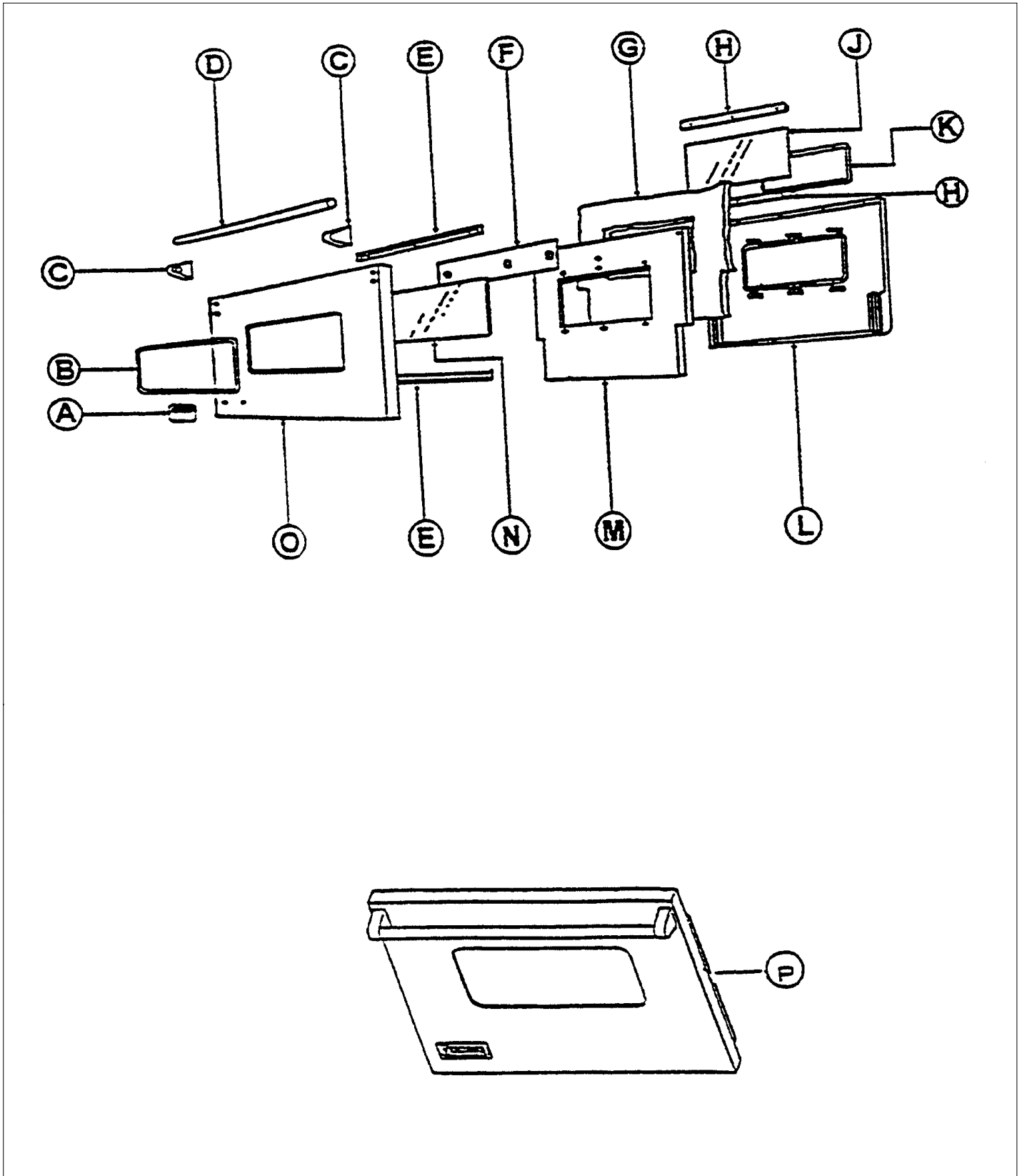
DOOR AFTER 2-94



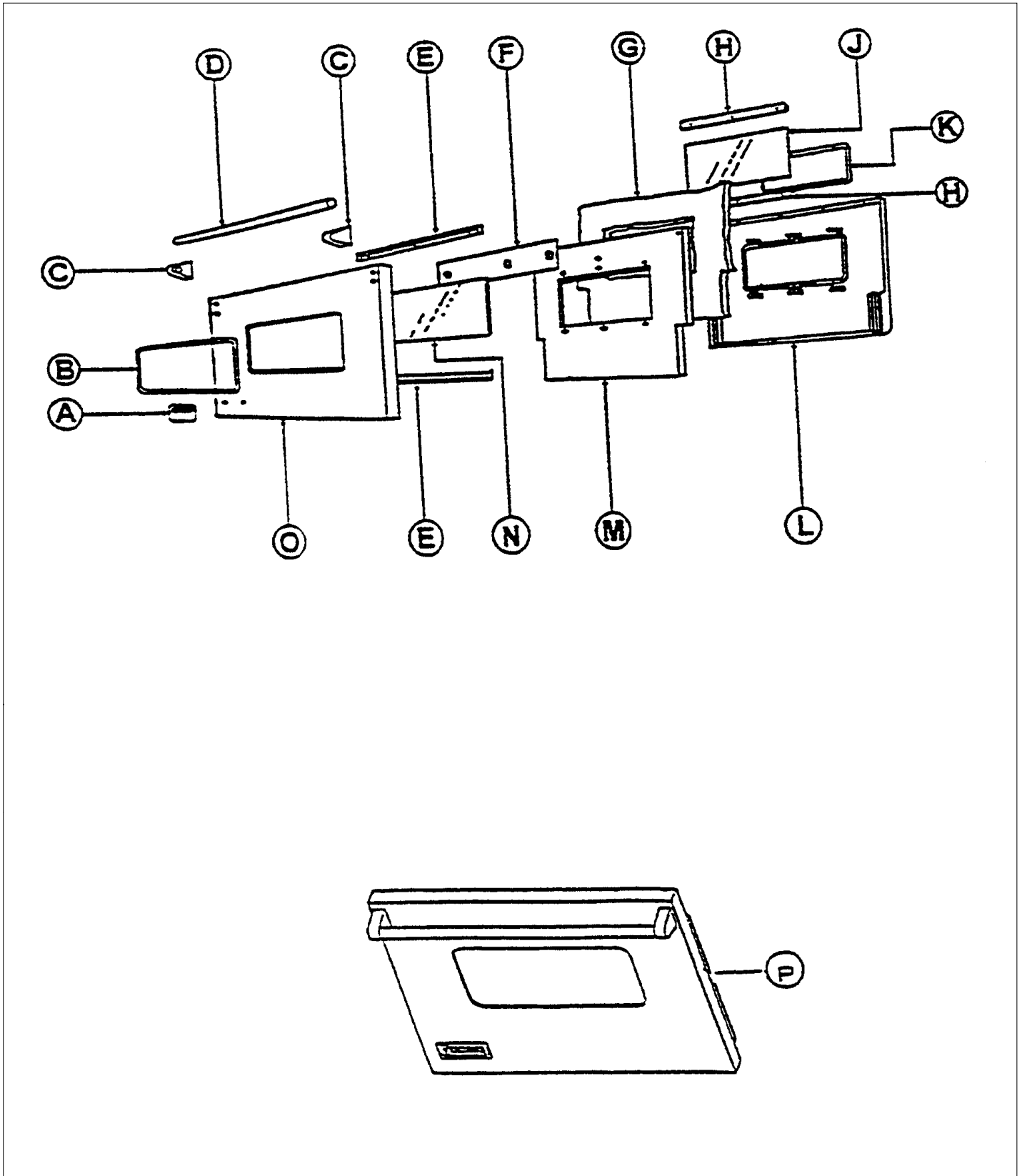
Item	Part No.	Name	Qty	Uom	NOTES
A	PE010016	LOGO (ALL RANGES) *BK/CHR 307997W	1	EA	
Not Shown	PE010017	LOGO (VGSO,VEDO,VGDO,VUD) *WH/CHR	1	EA	
Not Shown	PE010079	4.5" LOGO/VIKING PROF *BK/BR	1	EA	
Not Shown	PE010080	4.5" LOGO/VIKING PROF *WH/BR	1	EA	
B	PE060007	J-MOLD (1" RADIUS)	1	EA	
Not Shown	PE060020	J-MOLD (VGSO OVN DOOR) *BR*	1	EA	
C	000268-000	HANDLE ENDCAP	1	EA	
Not Shown	PE030001PVD	END CAP DOOR HANDLE *BR	1	EA	
D	PE030005	DOOR HANDLE - VGSC30/RC60/RC48RH	1	EA	
Not Shown	PE030012	HANDLE - BR	1	EA	Not available online / Call for pricing and availability
E	A2001447	OUTER DOOR GLASS RETAINER	1	EA	
F	A1001381	DOOR HEAT BAFFLE (VGSC/VGSS)	1	EA	
G	PB070034	Insulation	1	EA	
H	A2001480	INNER DOOR GLASS RETAINER	1	EA	
J	PE060008	GLASS REPL PE060009	1	EA	
K	PB070014	DOOR GLASS SEAL STRIP - WINDOW DRS.	1	EA	
L	H9101928	OVEN DR LINER ASSY (30)W/WD (MC)	1	EA	
Not Shown	H9101929	OVEN DR LINER ASSY (SS/SC)N/W MC	1	EA	
M	A2001718	DOOR INSUL RETAINER (VGSC/SS) W/W	1	EA	NO LONGER AVAILABLE
Not Shown	A2001719	DOOR INSUL RETAINER (VGSC/SS) N/W	1	EA	NO LONGER AVAILABLE, Not available online / Call for pricing and availability
N	PE060018	OVEN GLASS- TEMPERED,SCREENED*BK*	1	EA	



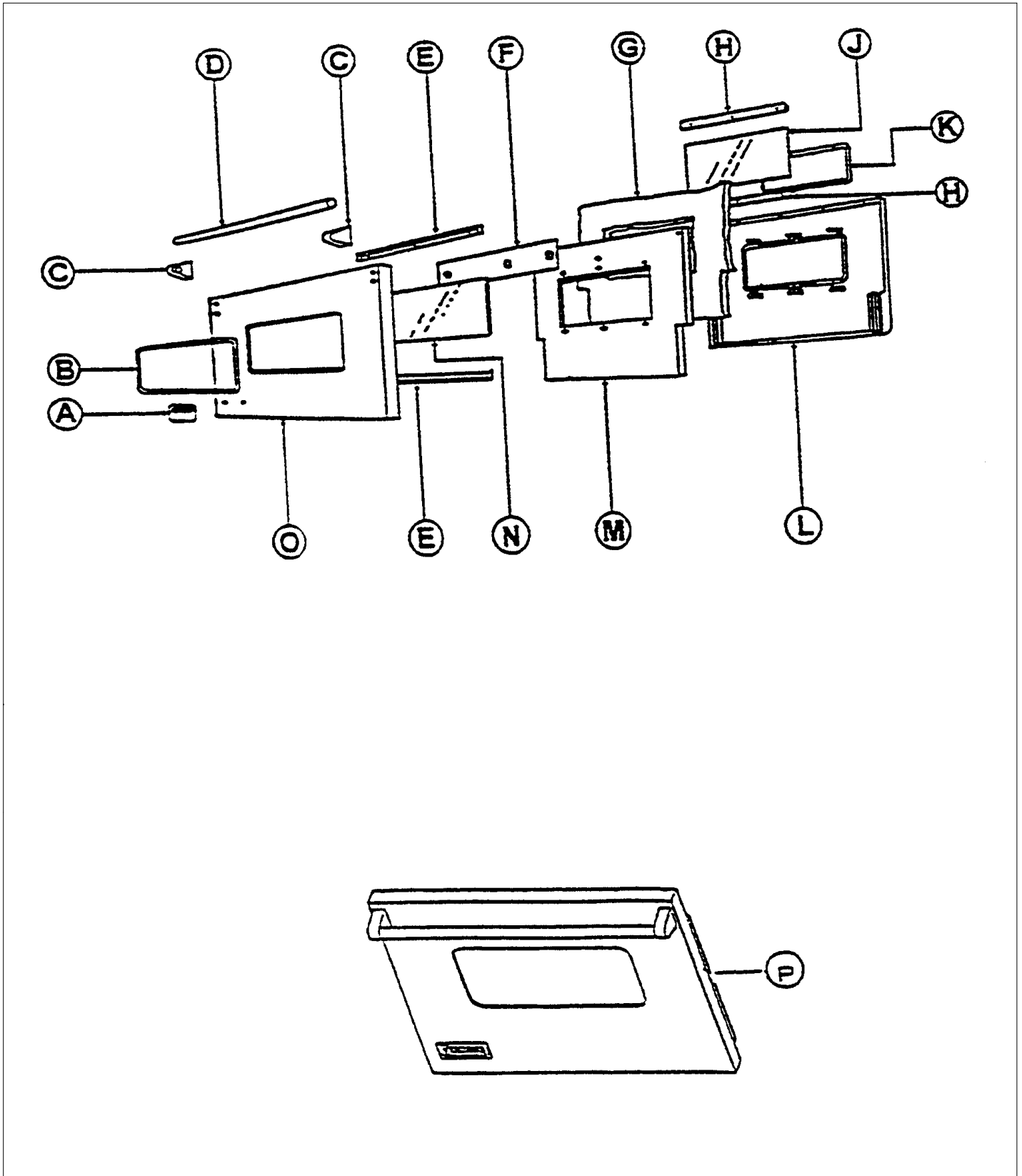
Item	Part No.	Name	Qty	Uom	NOTES
O	H3001720	O/S DR PNL *SS* (SC/SS) W/W	1	EA	
Not Shown	H9001721AL	O/S DOOR PANEL ASSY *AL* (SC/SS) W/	1	EA	Not available online / Call for pricing and availability
Not Shown	H9001721BK	O/S DOOR PANEL ASSY *BK* (SC/SS) W/	1	EA	
Not Shown	H9001721BU	O/S DOOR PANEL ASSY *BU* (SC/SS) W/	1	EA	NO LONGER AVAILABLE, Not available online / Call for pricing and availability
Not Shown	H9001721FG	O/S DOOR PANEL ASSY *FG* (SC/SS) W/	1	EA	NO LONGER AVAILABLE, Not available online / Call for pricing and availability
Not Shown	H9001721PL	O/S DOOR PANEL ASSY *PL* (SC/SS) W/	1	EA	NO LONGER AVAILABLE, Not available online / Call for pricing and availability
Not Shown	H9001721VB	O/S DOOR PANEL ASSY *VB* (SC/SS) W/	1	EA	NO LONGER AVAILABLE, Not available online / Call for pricing and availability
Not Shown	H9001721WH	O/S DR PNL ASSY *WH SC/SS W/W	1	EA	
Not Shown	B2001722	O/S DOOR PANEL *SS* (VGSC/SS) N/W	1	EA	NO LONGER AVAILABLE, Not available online / Call for pricing and availability
Not Shown	H9001723AL	O/S DOOR PANEL W/O WINDOW - AL	1	EA	Not available online / Call for pricing and availability
Not Shown	H9001723BK	O/S DOOR PANEL W/O WINDOW - BK	1	EA	Not available online / Call for pricing and availability
Not Shown	H9001723BU	O/S DOOR PANEL W/O WINDOW - BU	1	EA	Not available online / Call for pricing and availability
Not Shown	H9001723FG	O/S DOOR PANEL W/O WINDOW - FG	1	EA	Not available online / Call for pricing and availability



Item	Part No.	Name	Qty	Uom	NOTES
Not Shown	H9001723PL	O/S DOOR PANEL W/O WINDOW - PL	1	EA	Not available online / Call for pricing and availability
Not Shown	H9001723VB	O/S DOOR PANEL W/O WINDOW - VB	1	EA	Not available online / Call for pricing and availability
Not Shown	H9001723WH	O/S DOOR PANEL W/O WINDOW - WH	1	EA	Not available online / Call for pricing and availability
P	G3201925AL	DOOR ASSY*AL*	1	EA	NO LONGER AVAILABLE, Not available online / Call for pricing and availability
Not Shown	G3201925ALBR	DOOR ASSY*AL*	1	EA	NO LONGER AVAILABLE, Not available online / Call for pricing and availability
Not Shown	G3201925BK	DOOR ASSY*BK*	1	EA	NO LONGER AVAILABLE
Not Shown	G3201925BKBR	DOOR ASSY*BK*	1	EA	NO LONGER AVAILABLE, Not available online / Call for pricing and availability
Not Shown	G3201925BU	DOOR ASSY*BU*	1	EA	
Not Shown	G3201925BUBR	DOOR ASSEMBLY W/ WINDOW - BUBR	1	EA	Not available online / Call for pricing and availability
Not Shown	G3201925FG	DOOR ASSY *FG* (SS/SC) W/W	1	EA	NO LONGER AVAILABLE, Not available online / Call for pricing and availability
Not Shown	G3201925FGBR	DOOR ASSY*FG*	1	EA	NO LONGER AVAILABLE, Not available online / Call for pricing and availability
Not Shown	G3201925PL	DOOR ASSY*PL*	1	EA	NO LONGER AVAILABLE, Not available online / Call for pricing and availability

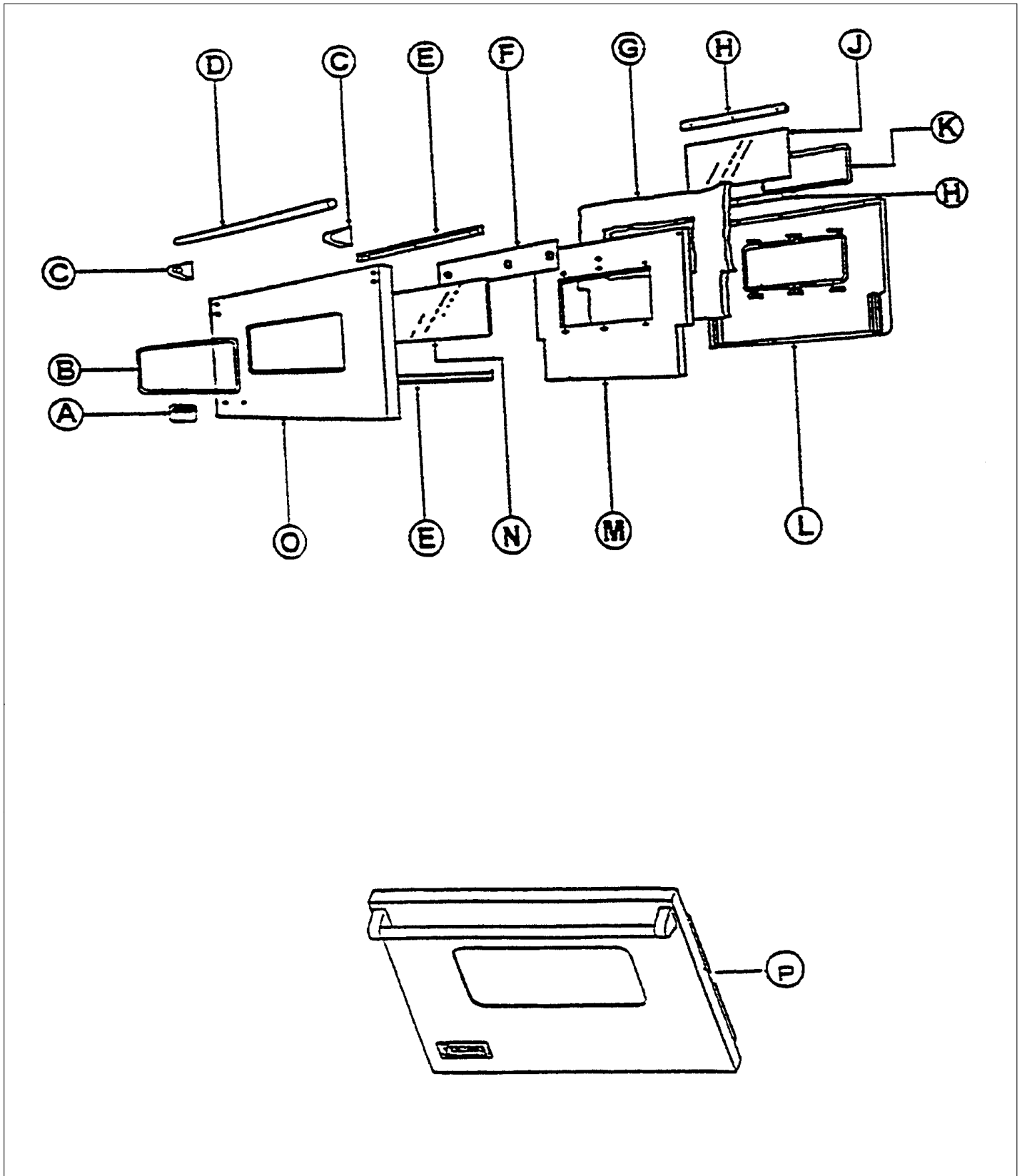


Item	Part No.	Name	Qty	Uom	NOTES
Not Shown	G3201925PLBR	DOOR ASSY*PL*	1	EA	NO LONGER AVAILABLE, Not available online / Call for pricing and availability
Not Shown	G3201925SS	DOOR ASSY *SS* (SS/SC) W/W	1	EA	NO LONGER AVAILABLE
Not Shown	G3201925SSBR	DOOR ASSEMBLY W/ WINDOW - SSBR	1	EA	Not available online / Call for pricing and availability
Not Shown	G3201925VB	DOOR ASSY*VB* (SS/SC) W/W	1	EA	NO LONGER AVAILABLE, Not available online / Call for pricing and availability
Not Shown	G3201925VBBR	DOOR ASSY*VB*	1	EA	NO LONGER AVAILABLE, Not available online / Call for pricing and availability
Not Shown	G3201925WH	DOOR ASSY*WH*	1	EA	
Not Shown	G3201925WHBR	DOOR ASSY*WH*	1	EA	
NI	G3201927AL	DOOR ASSY*AL* (SS/SC) N/W	1	EA	NO LONGER AVAILABLE, Not available online / Call for pricing and availability
Not Shown	G3201927ALBR	DOOR ASSY*AL*	1	EA	NO LONGER AVAILABLE, Not available online / Call for pricing and availability
Not Shown	G3201927BK	DOOR ASSY*BK* (SS/SC) N/W	1	EA	NO LONGER AVAILABLE, Not available online / Call for pricing and availability
Not Shown	G3201927BKBR	DOOR ASSY*BK*	1	EA	NO LONGER AVAILABLE, Not available online / Call for pricing and availability
Not Shown	G3201927BU	DOOR ASSY*BU* (SS/SC) N/W	1	EA	NO LONGER AVAILABLE, Not available online / Call for pricing and availability

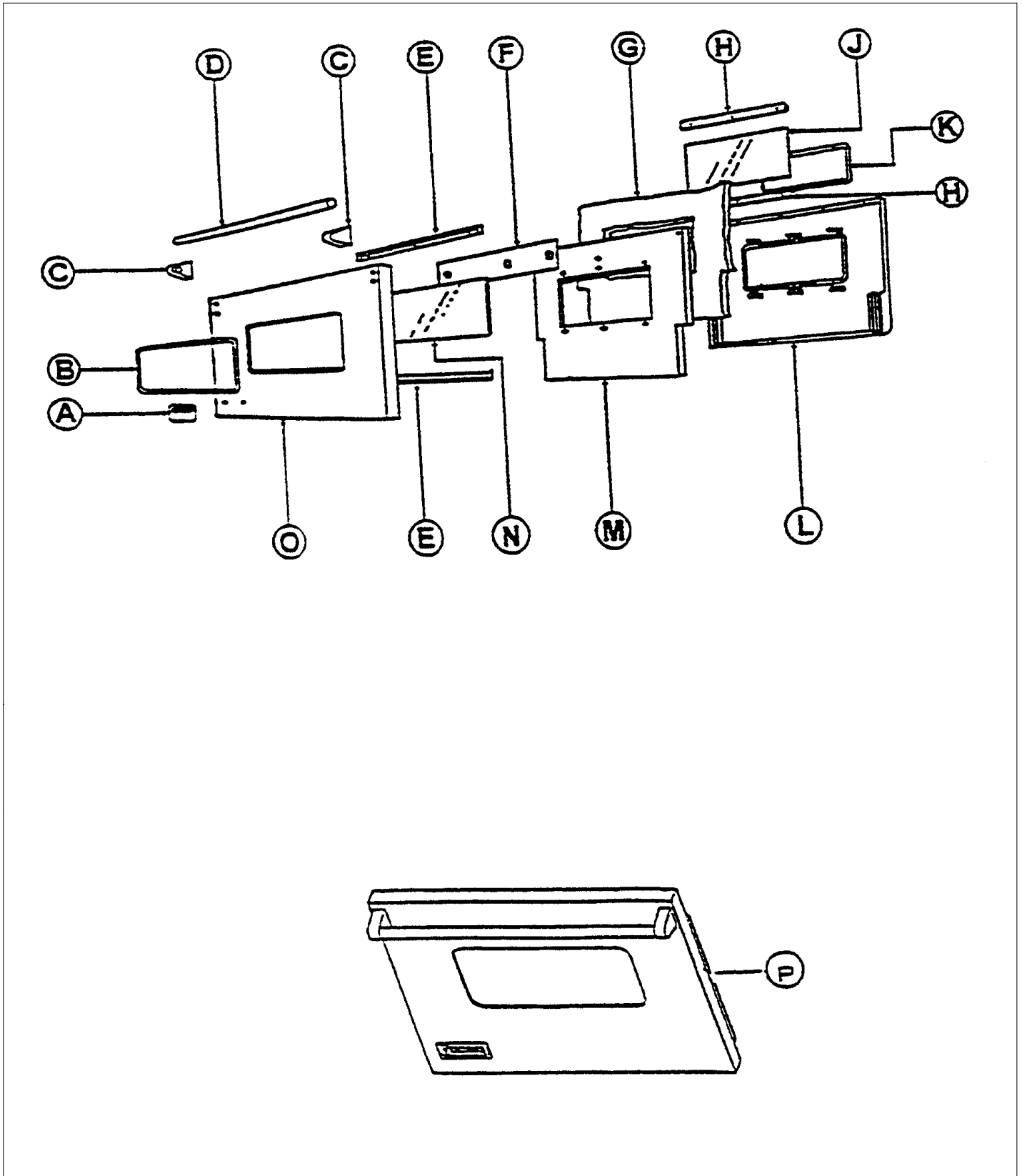


Item	Part No.	Name	Qty	Uom	NOTES
Not Shown	G3201927BUBR	DOOR ASSY*BU*	1	EA	NO LONGER AVAILABLE, Not available online / Call for pricing and availability
Not Shown	G3201927FG	DOOR ASSY*FG* (SS/SC) N/W	1	EA	NO LONGER AVAILABLE, Not available online / Call for pricing and availability
Not Shown	G3201927FGBR	DOOR ASSY*FG*	1	EA	NO LONGER AVAILABLE, Not available online / Call for pricing and availability
Not Shown	G3201927PL	DOOR ASSY*PL* (SS/SC) N/W	1	EA	NO LONGER AVAILABLE, Not available online / Call for pricing and availability
Not Shown	G3201927PLBR	DOOR ASSY*PL*	1	EA	NO LONGER AVAILABLE, Not available online / Call for pricing and availability
Not Shown	G3201927SS	DOOR ASSY*SS* (SS/SC) N/W	1	EA	NO LONGER AVAILABLE
Not Shown	G3201927SSBR	DOOR ASSY *SS**BR* (SS/SC) N/W	1	EA	NO LONGER AVAILABLE, Not available online / Call for pricing and availability
Not Shown	G3201927VB	DOOR ASSY *VB* (SS/SC) N/W	1	EA	NO LONGER AVAILABLE, Not available online / Call for pricing and availability
Not Shown	G3201927VBBR	DOOR ASSY*VB*	1	EA	NO LONGER AVAILABLE, Not available online / Call for pricing and availability
Not Shown	G3201927WH	DOOR ASSY*WH* (SS/SC) N/W	1	EA	NO LONGER AVAILABLE, Not available online / Call for pricing and availability
Not Shown	G3201927WHBR	DOOR ASSY*WH*	1	EA	NO LONGER AVAILABLE, Not available online / Call for pricing and availability

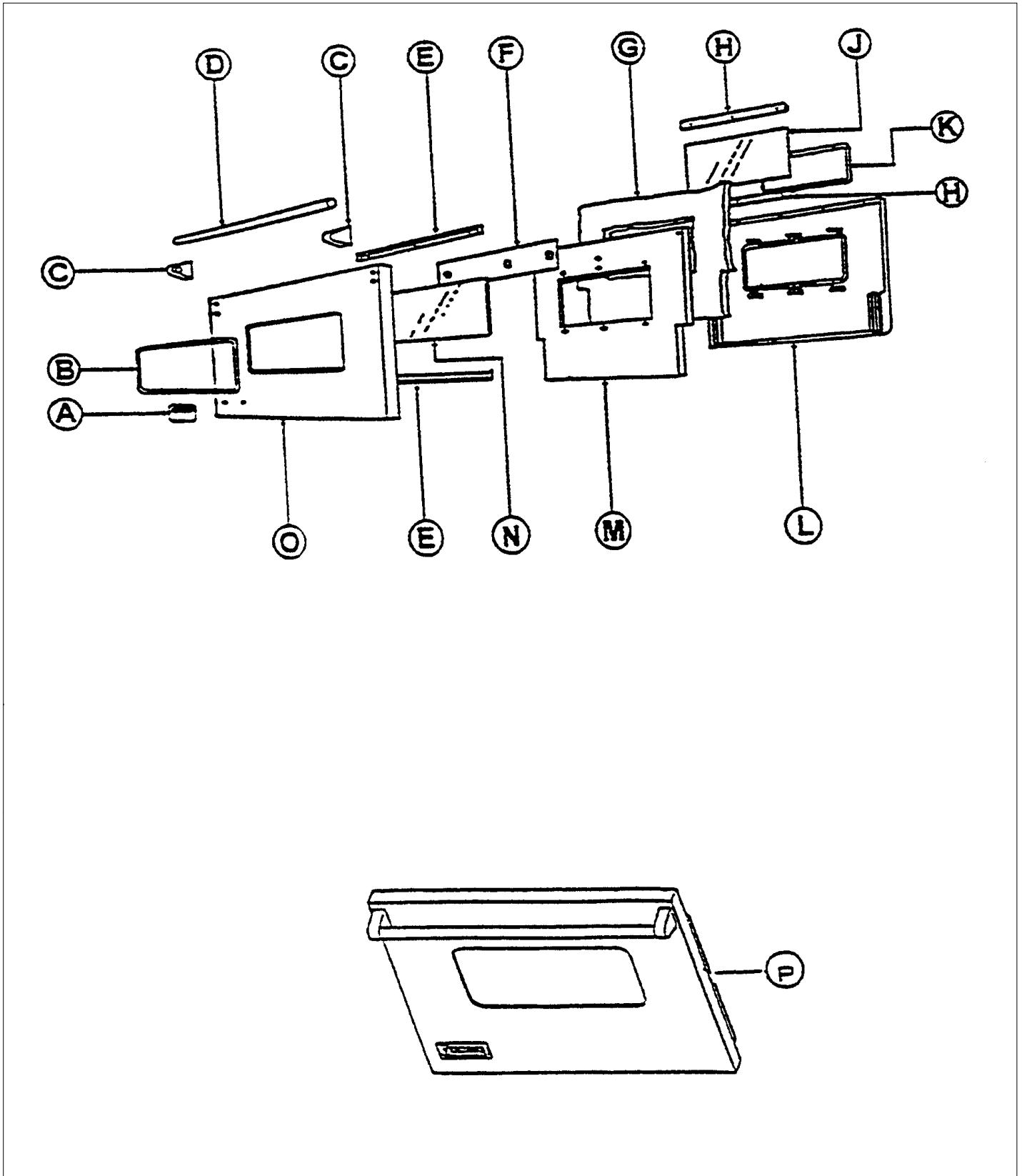
DOOR BEFORE 2-94



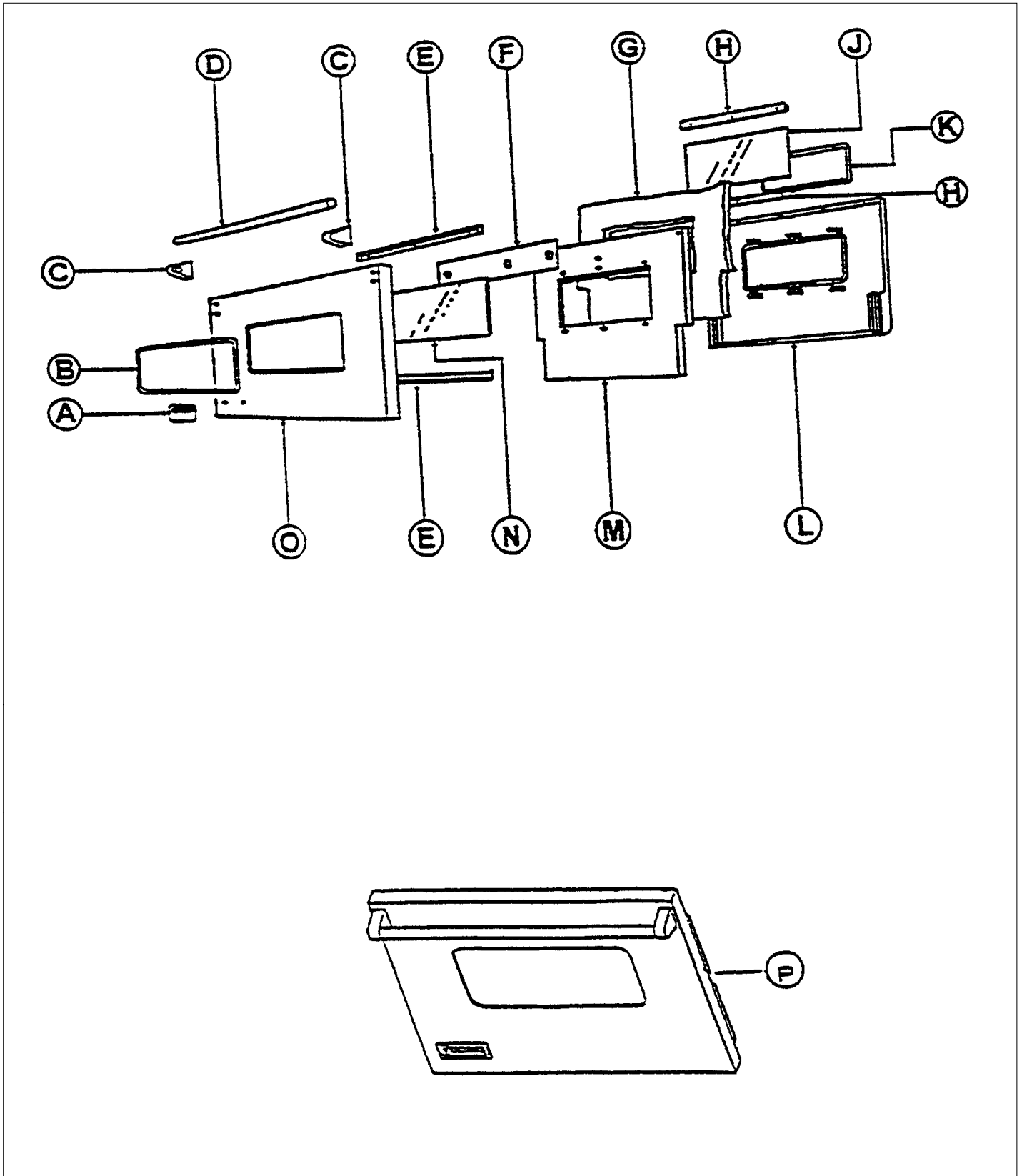
Item	Part No.	Name	Qty	Uom	NOTES
A	PE010016	LOGO (ALL RANGES) *BK/CHR 307997W	1	EA	
Not Shown	PE010017	LOGO (VGSO,VEDO,VGDO,VUD) *WH/CHR	1	EA	
B	PE060007	J-MOLD (1" RADIUS)	1	EA	
C	000268-000	HANDLE ENDCAP	1	EA	
D	PE030005	DOOR HANDLE - VGSC30/RC60/RC48RH	1	EA	
E	A2001447	OUTER DOOR GLASS RETAINER	1	EA	
F	A1001381	DOOR HEAT BAFFLE (VGSC/VGSS)	1	EA	
G	PB070034	Insulation	1	EA	
H	A2001480	INNER DOOR GLASS RETAINER	1	EA	
J	PE060008	GLASS REPL PE060009	1	EA	
K	PB070014	DOOR GLASS SEAL STRIP - WINDOW DRS.	1	EA	
L	H9101714	OVEN DR LINER ASSY (VGSC/SS) W/W	1	EA	
Not Shown	H9101715	OVEN DR LINER ASSY (VGSC/SS) N/W	1	EA	NO LONGER AVAILABLE, Not available online / Call for pricing and availability
M	A2001718	DOOR INSUL RETAINER (VGSC/SS) W/W	1	EA	NO LONGER AVAILABLE
Not Shown	A2001719	DOOR INSUL RETAINER (VGSC/SS) N/W	1	EA	NO LONGER AVAILABLE, Not available online / Call for pricing and availability
N	PE060009	SUB TO PE060008 - GLASS	1	EA	NO LONGER AVAILABLE, Not available online / Call for pricing and availability
O	H3001720	O/S DR PNL *SS* (SC/SS) W/W	1	EA	
Not Shown	H9001721AL	O/S DOOR PANEL ASSY *AL* (SC/SS) W/	1	EA	Not available online / Call for pricing and availability
Not Shown	H9001721BK	O/S DOOR PANEL ASSY *BK* (SC/SS) W/	1	EA	



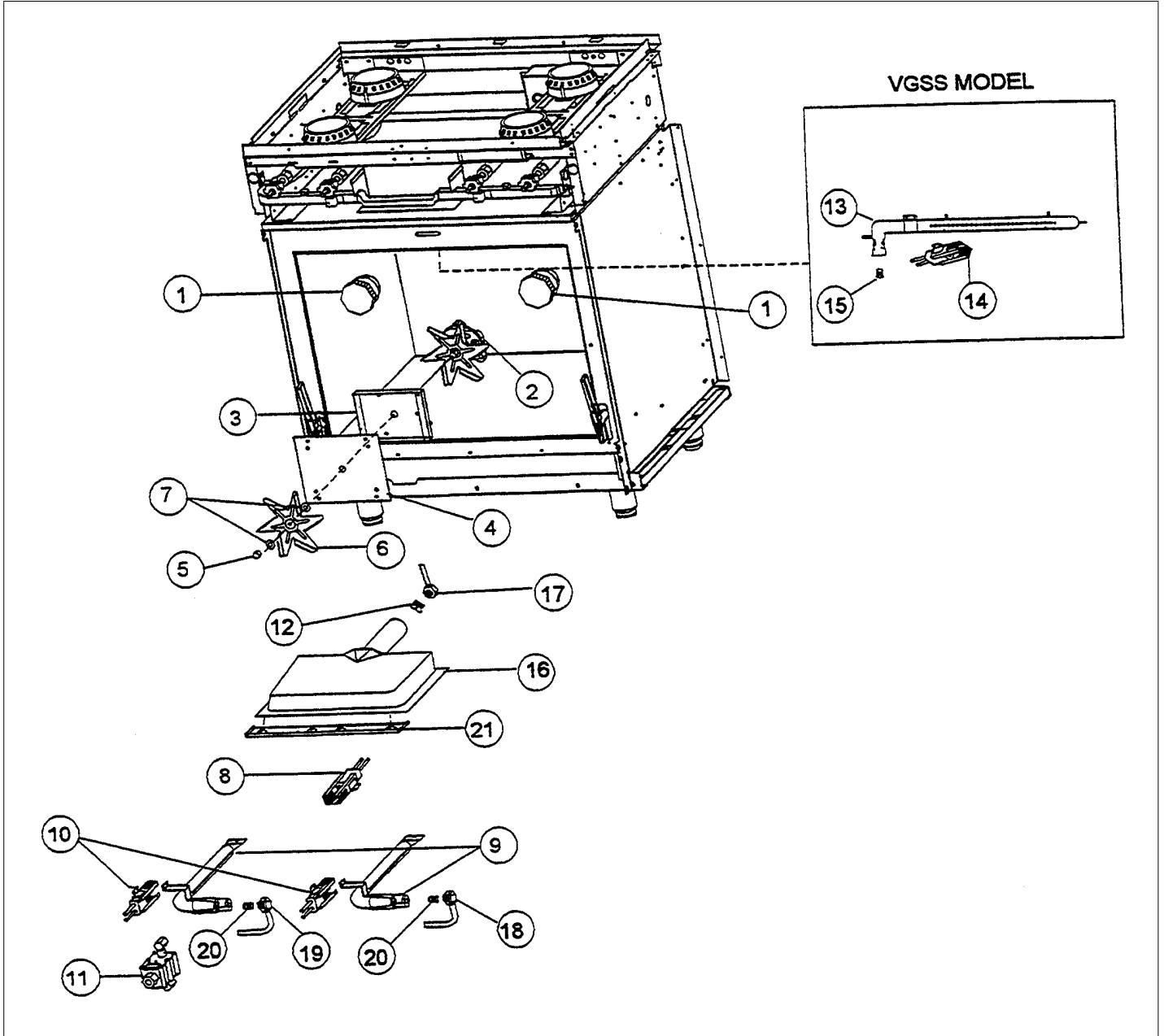
Item	Part No.	Name	Qty	Uom	NOTES
Not Shown	H9001721BU	O/S DOOR PANEL ASSY *BU* (SC/SS) W/	1	EA	NO LONGER AVAILABLE, Not available online / Call for pricing and availability
Not Shown	H9001721FG	O/S DOOR PANEL ASSY *FG* (SC/SS) W/	1	EA	NO LONGER AVAILABLE, Not available online / Call for pricing and availability
Not Shown	H9001721PL	O/S DOOR PANEL ASSY *PL* (SC/SS) W/	1	EA	NO LONGER AVAILABLE, Not available online / Call for pricing and availability
Not Shown	H9001721VB	O/S DOOR PANEL ASSY *VB* (SC/SS) W/	1	EA	NO LONGER AVAILABLE, Not available online / Call for pricing and availability
Not Shown	H9001721WH	O/S DR PNL ASSY *WH SC/SS W/W	1	EA	
Not Shown	B2001722	O/S DOOR PANEL *SS* (VGSC/SS) N/W	1	EA	NO LONGER AVAILABLE, Not available online / Call for pricing and availability
Not Shown	C9001723AL	O/S DOOR PANEL *SS* (VGSC/SS) N/W	1	EA	NO LONGER AVAILABLE, Not available online / Call for pricing and availability
Not Shown	C9001723BK	O/S DOOR PANEL *BK* (VGSC/SS) N/W	1	EA	NO LONGER AVAILABLE, Not available online / Call for pricing and availability
Not Shown	C9001723BU	O/S DOOR PANEL *BU* (VGSC/SS) N/W	1	EA	NO LONGER AVAILABLE, Not available online / Call for pricing and availability
Not Shown	C9001723FG	O/S DOOR PANEL *FG* (VGSC/SS) N/W	1	EA	NO LONGER AVAILABLE, Not available online / Call for pricing and availability
Not Shown	C9001723PL	O/S DOOR PANEL *PL* (VGSC/SS) N/W	1	EA	NO LONGER AVAILABLE, Not available online / Call for pricing and availability



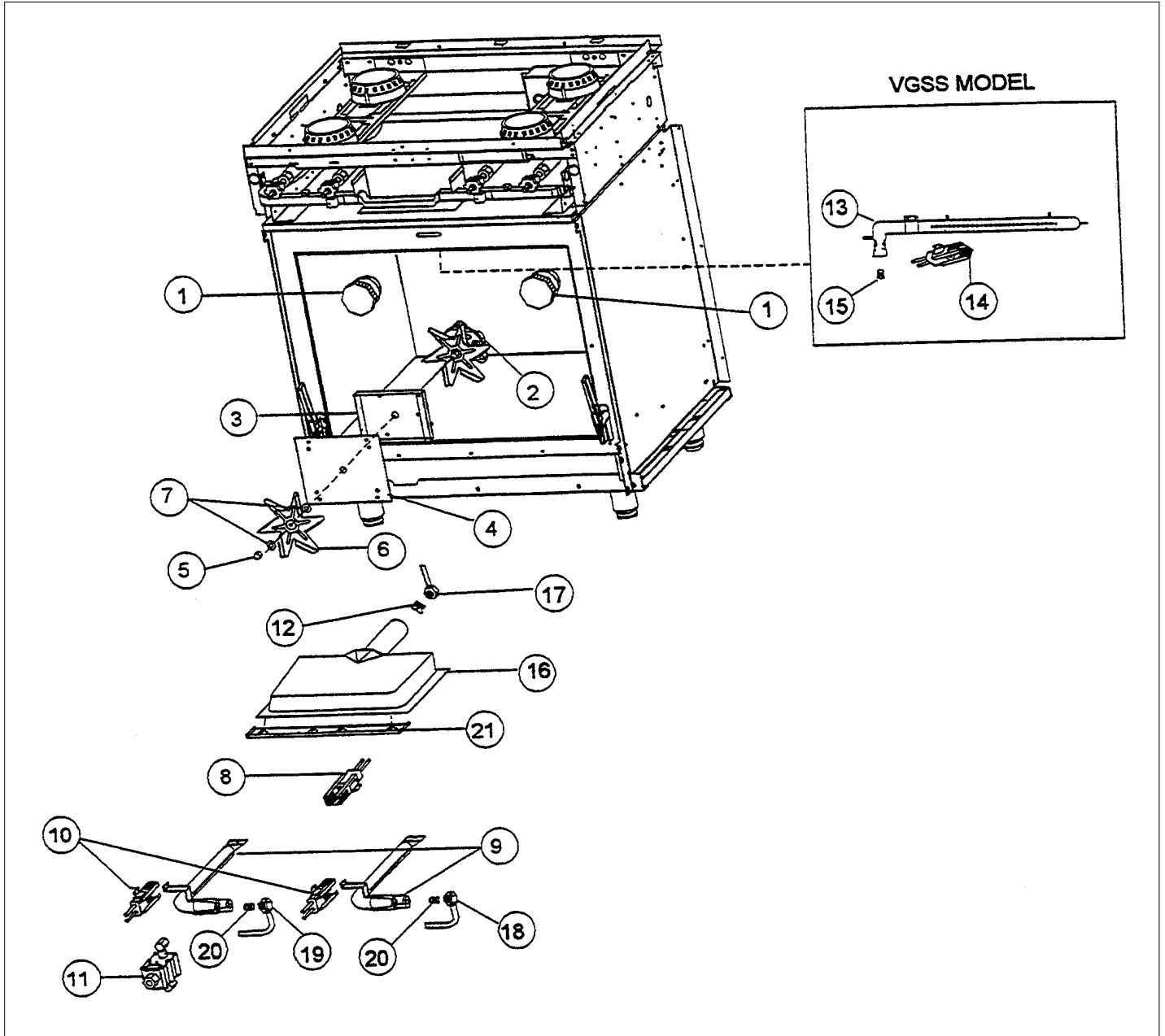
Item	Part No.	Name	Qty	Uom	NOTES
Not Shown	C9001723VB	O/S DOOR PANEL *VB* (VGSC/SS) N/W	1	EA	NO LONGER AVAILABLE, Not available online / Call for pricing and availability
Not Shown	C9001723WC	O/S DOOR PANEL W/O WINDOW - WH	1	EA	Not available online / Call for pricing and availability
P	G3201711AL	OVEN DR ASSY *AL* (VGSC/SS) W/W	1	EA	NO LONGER AVAILABLE, Not available online / Call for pricing and availability
Not Shown	G3201711BK	OVEN DR ASSY *BK* (VGSC/SS) W/W	1	EA	NO LONGER AVAILABLE, Not available online / Call for pricing and availability
Not Shown	G3201711BU	OVEN DR ASSY *BU* (VGSC/SS) W/W	1	EA	NO LONGER AVAILABLE, Not available online / Call for pricing and availability
Not Shown	G3201711FG	OVEN DR ASSY *FG* (VGSC/SS) W/W	1	EA	NO LONGER AVAILABLE, Not available online / Call for pricing and availability
Not Shown	G3201711PL	OVEN DR ASSY *PL* (VGSC/SS) W/W	1	EA	NO LONGER AVAILABLE, Not available online / Call for pricing and availability
Not Shown	G3201711SS	OVEN DOOR ASSY (VGSC/SS) W/WDW (SS)	1	EA	NO LONGER AVAILABLE
Not Shown	G3201711VB	OVEN DR ASSY *VB* (VGSC/SS) W/W	1	EA	NO LONGER AVAILABLE, Not available online / Call for pricing and availability
Not Shown	G3201711WH	OVEN DR ASSY *WH* (VGSC/SS) W/W	1	EA	NO LONGER AVAILABLE
Not Shown	G3201713AL	OVEN DR ASSY *AL* (VGSC/SS) N/W	1	EA	NO LONGER AVAILABLE, Not available online / Call for pricing and availability
Not Shown	G3201713BK	OVEN DR ASSY *BK* (VGSC/SS) N/W	1	EA	NO LONGER AVAILABLE, Not available online / Call for pricing and availability



Item	Part No.	Name	Qty	Uom	NOTES
Not Shown	G3201713BU	OVEN DR ASSY *BU* VGSC/SS) N/W	1	EA	NO LONGER AVAILABLE, Not available online / Call for pricing and availability
Not Shown	G3201713FG	OVEN DR ASSY *FG* (VGSC/SS) N/W	1	EA	NO LONGER AVAILABLE, Not available online / Call for pricing and availability
Not Shown	G3201713PL	OVEN DR ASSY *PL* (VGSC/SS) N/W	1	EA	NO LONGER AVAILABLE, Not available online / Call for pricing and availability
Not Shown	G3201712SS	DOOR ASSEMBLY W/O WINDOW - SS	1	EA	Not available online / Call for pricing and availability
Not Shown	G3201713VB	OVEN DR ASSY *VB* (VGSC/SS) N/W	1	EA	NO LONGER AVAILABLE, Not available online / Call for pricing and availability
Not Shown	G3201713WH	OVEN DR ASSY *WH* (VGSC/SS) N/W	1	EA	NO LONGER AVAILABLE, Not available online / Call for pricing and availability



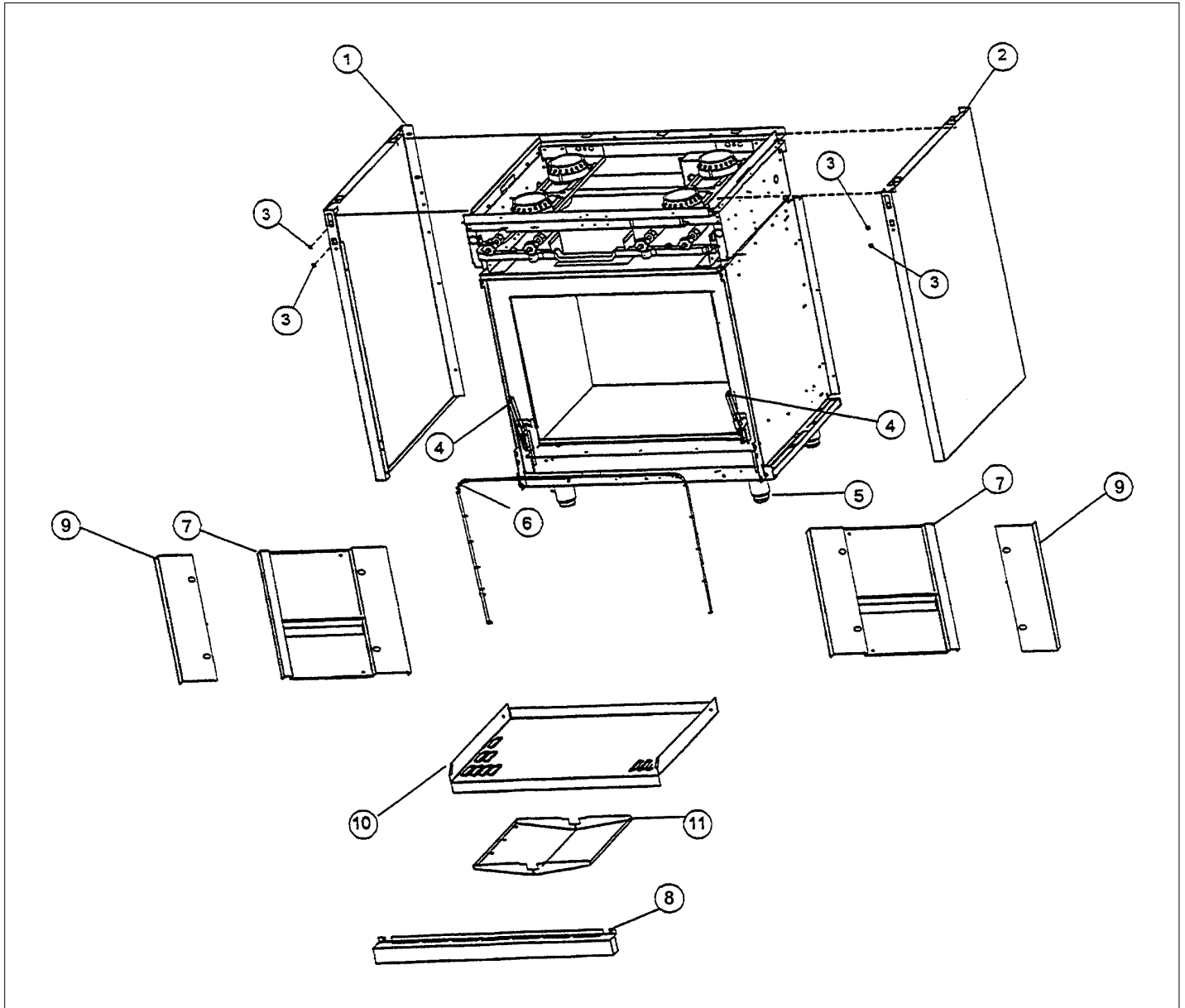
Item	Part No.	Name	Qty	Uom	NOTES
1	031449-000	LAMP, ASM		EA	
2	PE050005	CONVECTION FAN ASSY		EA	
3	A2002595	CONVECTION FAN BOX (VDSC)		EA	
4	A1002596	CONVECTION FAN COVER (VDSC)		EA	
5	PD030035	CONVECTION FAN NUT		EA	
6	PE050035	CONVECTION FAN BLADE		EA	
Not Shown	NOTE	(MUST ORDER ITEM 2)		EA	
7	PD040030	CONVECTION FAN WASHER		EA	
8	PB040001	Igniter		EA	
9	PB050012	OVEN BURNER REPL PB050009		EA	
10	PB040001	Igniter		EA	
11	PB010084	DUAL THERMAL BI-MTL GAS CTRL VALVE		EA	
12	PB040040	ORIFICE-IR BURNER (VGSC)		EA	
Not Shown	PB040027	IR BUR.SPUD ORF. - NO.56 LP		EA	
13	PB050011	BROIL BURNER (VGSS)		EA	NO LONGER AVAILABLE
14	PB040001	Igniter		EA	
Not Shown	PB040034	ORIFICE HOOD-#50 (NAT)		EA	
Not Shown	PB040036	ORIFICE HOOD-#57 (LP)		EA	
16	G3001876	IR BURNER ASSY (VGSC/RC) N/S		EA	
17	PB020034	SUB TO PB020061 - TUBING-IR BURNER (VGSC)		EA	NO LONGER AVAILABLE, Not available online / Call for pricing and availability
#	PD030018	PALNUT - 3/4-16		EA	
18	PB020023	BAKE BURNER TUBE RH OVEN		EA	
19	PB020022	BAKE BURNER TUBE LH OVEN		EA	
20	PB040034	ORIFICE HOOD-#50 (NAT)		EA	
Not Shown	PB040036	ORIFICE HOOD-#57 (LP)		EA	
21	B2001448	IR BROIL SUPT (FRONT)		EA	



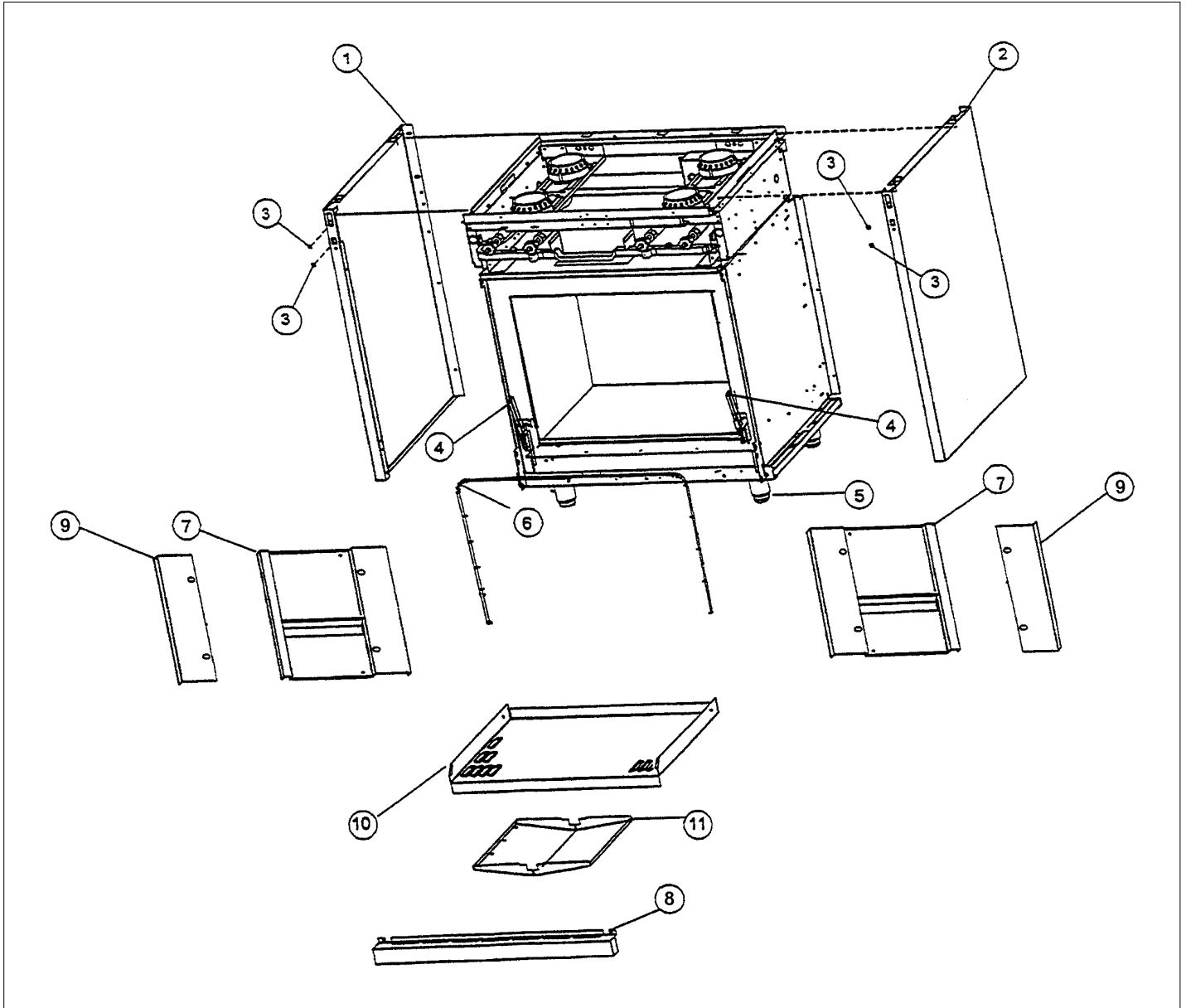


Item	Part No.	Name	Qty	Uom	NOTES
B200226 1	020409-000	BRACKET, SPRT, FR, I/R BROILER		EA	
NI	E9101452	FLAME SPREADER 30" (VGSS)		EA	NOT FIELD REPLACEABLE
NI	PB020216	3/8 S.S. FLEX TUBING 41"		EA	

PANEL-OVEN ASSY

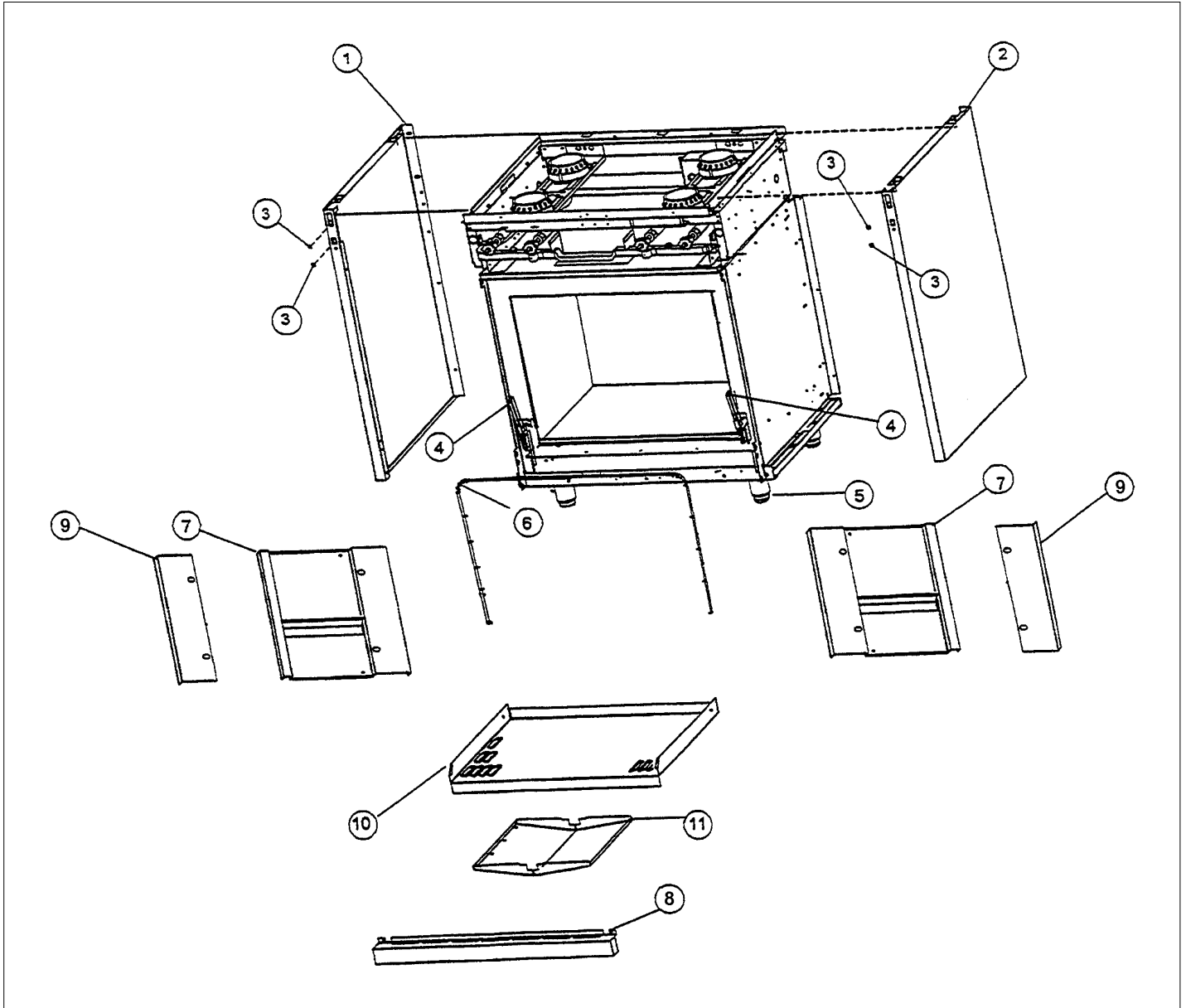


Item	Part No.	Name	Qty	Uom	NOTES
1	B2001922	SIDE PANEL - SS (LH)	1	EA	Not available online / Call for pricing and availability
C900192 2AL	C9002598AL	BODY PNL LH 30'REPL C9001922AL	1	EA	NO LONGER AVAILABLE, Not available online / Call for pricing and availability
C900192 2BK	C9002598BK	BODY PNL LH 30'REPL C9001922BK	1	EA	
C900192 2BU	C9002598BU	BODY PNL LH 30'REPL C9001922BU	1	EA	
C900192 2FG	C9002598FG	BODY PNL LH 30'REPL C9001922FG	1	EA	NO LONGER AVAILABLE, Not available online / Call for pricing and availability
C900192 2PL	C9002598PL	BODY PNL LH 30'REPL C9001922PL	1	EA	NO LONGER AVAILABLE, Not available online / Call for pricing and availability
C900192 2VB	C9002598VB	BODY PNL LH 30'REPL C9001922VB	1	EA	NO LONGER AVAILABLE, Not available online / Call for pricing and availability
C900192 2WH	C9002598WH	BODY PNL LH 30'REPL C9001922WH	1	EA	
2	B2001921	SUB TO B2002597 - RH SIDE PANEL	1	EA	NO LONGER AVAILABLE, Not available online / Call for pricing and availability
C900192 1AL	C9002597AL	O/S BODY PANEL-RH *AL* (VDSC)	1	EA	NO LONGER AVAILABLE, Not available online / Call for pricing and availability
C900192 1BK	C9002597BK	BODY PNL RH BK REPL C9001921BK	1	EA	
C900192 1BU	C9002597BU	BODY PNL RH BU REPL C9001921BU	1	EA	Not available online / Call for pricing and availability
C900192 1FG	C9002597FG	BODY PNL RH FG REPL C9001921FG	1	EA	NO LONGER AVAILABLE, Not available online / Call for pricing and availability





Item	Part No.	Name	Qty	Uom	NOTES
C900192 1PL	C9002597PL	BODY PNL RH PL REPL C9001921PL	1	EA	NO LONGER AVAILABLE, Not available online / Call for pricing and availability
C900192 1VB	C9002597VB	BODY PNL RH VB REPL C9001921VB	1	EA	
C900192 1WH	C9002597WH	BODY PNL RH WH REPL C9001921WH	1	EA	
3	PD030005	SELF RETAINING NUT	1	EA	
4	PC020007	HINGE ASSY (NO COLOR)	1	EA	
5	PC030017	4" LEG ASSY	1	EA	
6	PB070030	OVEN DR GASKET-30" & 36"	1	EA	
7	E9101374	I/S OVEN LINER (VGSC/VGSS)	1	EA	
8	B2001815	LOWER ACC PAN - (VGRC605)	1	EA	
Not Shown	C9001815AL	LOWER ACC PAN - *AL* (VGRC605)	1	EA	Not available online / Call for pricing and availability
Not Shown	C9001815BK	LOWER ACC PAN - *BK* (VGRC605)	1	EA	
Not Shown	C9001815BU	LOWER ACC PAN - *BU* (VGRC605)	1	EA	Not available online / Call for pricing and availability
Not Shown	C9001815FG	LOWER ACC PAN - *FG* (VGRC605)	1	EA	NO LONGER AVAILABLE, Not available online / Call for pricing and availability
Not Shown	C9001815PL	LOWER ACC PAN - *PL* (VGRC605)	1	EA	NO LONGER AVAILABLE
Not Shown	C9001815VB	LOWER ACC PAN - *VB* (VGRC605)	1	EA	NO LONGER AVAILABLE
Not Shown	C9001815WH	LOWER ACC PAN - *WH* (VGRC605)	1	EA	
9	E9101355	OVEN LINER HINGE COVER (VGSC/VGSS)	1	EA	NO LONGER AVAILABLE, Not available online / Call for pricing and availability
10	G3204251	OVEN BOTTOM ASSY - RH OVEN, 48"	1	EA	
11	A2002269	OVEN BTM HEAT SHIELD	1	EA	





Item	Part No.	Name	Qty	Uom	NOTES
Comments for Part Num. A2002269					
gboltz@VikingRange.com on Aug 9, 2016					
DO NOT ORDER JUST HEAT SHIELD ORDER BTM OVEN PANEL ASSY ONLY					
NI	G3202341	BACKGUARD FRONT ASSY (VGSC/SS)	1	EA	NO LONGER AVAILABLE



Appendix A:Pages Index

BURNER BOX EXTERIOR ASSY 1
BURNER BOX SUBASSEMBLY 2
CONTROL-RACK ASSY 3
DOOR AFTER 2-94 4
DOOR BEFORE 2-94 5
GAS - ELECTRICAL 6
PANEL-OVEN ASSY 7



Appendix B:Parts Index

000268-000	4, 5	C9001723WC	5
000511-000	2	C9001815AL	7
002156-000	2	C9001815BK	7
003515-000	2	C9001815BU	7
003556-000	2	C9001815FG	7
007147-000	2	C9001815PL	7
020409-000	6	C9001815VB	7
031449-000	6	C9001815WH	7
050172-000	3	C9002597AL	7
A1001138	2	C9002597BK	7
A1001381	4, 5	C9002597BU	7
A1002596	6	C9002597FG	7
A2001112	2	C9002597PL	7
A2001147	2	C9002597VB	7
A2001259	3	C9002597WH	7
A2001404	2	C9002598AL	7
A2001432	2	C9002598BK	7
A2001447	4, 5	C9002598BU	7
A2001456	2	C9002598FG	7
A2001480	4, 5	C9002598PL	7
A2001718	4, 5	C9002598VB	7
A2001719	4, 5	C9002598WH	7
A2002269	7	C9301840PVD	1
A2002364	2	C9302345BR	1
A2002595	6	C9302346BR	1
B2001448	6	E9101355	7
B2001722	4, 5	E9101374	7
B2001815	7	E9101408AL	1
B2001840	1	E9101408FG	1
B2001921	7	E9101408PL	1
B2001922	7	E9101408VB	1
B2002345	1	E9101408WH	1
B2002346	1	E9101452	6
B9201948	3	E9104416BK	1
C9001723AL	5	E9107933	3
C9001723BK	5	E9107934	3
C9001723BU	5	G3001406	3
C9001723FG	5	G3001876	6
C9001723PL	5	G3101427	1
C9001723VB	5	G3201711AL	5
		G3201711BK	5



G3201711BU	5	G3201927SSBR	4
G3201711FG	5	G3201927VB	4
G3201711PL	5	G3201927VBBR	4
G3201711SS	5	G3201927WH	4
G3201711VB	5	G3201927WHBR	4
G3201711WH	5	G3202341	7
G3201712SS	5	G3204251	7
G3201713AL	5	G4001587	2
G3201713BK	5	G50012678	2
G3201713BU	5	G50012681	2
G3201713FG	5	G50013584AL	1
G3201713PL	5	G50013584BK	1
G3201713VB	5	G50013584FG	1
G3201713WH	5	G50013584PL	1
G3201925AL	4	G50013584VB	1
G3201925ALBR	4	G50013584WH	1
G3201925BK	4	H3001720	4, 5
G3201925BKBR	4	H9001721AL	4, 5
G3201925BU	4	H9001721BK	4, 5
G3201925BUBR	4	H9001721BU	4, 5
G3201925FG	4	H9001721FG	4, 5
G3201925FGBR	4	H9001721PL	4, 5
G3201925PL	4	H9001721VB	4, 5
G3201925PLBR	4	H9001721WH	4, 5
G3201925SS	4	H9001723AL	4
G3201925SSBR	4	H9001723BK	4
G3201925VB	4	H9001723BU	4
G3201925VBBR	4	H9001723FG	4
G3201925WH	4	H9001723PL	4
G3201925WHBR	4	H9001723VB	4
G3201927AL	4	H9001723WH	4
G3201927ALBR	4	H9101714	5
G3201927BK	4	H9101715	5
G3201927BKBR	4	H9101928	4
G3201927BU	4	H9101929	4
G3201927BUBR	4	PA010034	3
G3201927FG	4	PA010035	3
G3201927FGBR	4	PA020015	2
G3201927PL	4	PA020028	2
G3201927PLBR	4	PA020029	2
G3201927SS	4	PA020041	2



PA020045	2	PB070034	4, 5
PA030002AL	1	PC020007	7
PA030002BK	1	PC030017	7
PA030002FG	1	PD010003	1
PA030002PL	1	PD010012	2
PA030002VB	1	PD010017	1
PA030002WH	1	PD030005	1, 7
PA060037	1	PD030010	1
PA060038	1	PD030012	1
PA070003	2	PD030018	6
PA080015	1	PD030035	6
PA080016	1	PD030050	3
PA080036	2	PD040004	1
PA080037	2	PD040005	2
PB010034	2	PD040030	6
PB010036	3	PE010016	4, 5
PB010083	2	PE010017	4, 5
PB010084	6	PE010079	4
PB010091	3	PE010080	4
PB010092	3	PE010081	3
PB010099	3	PE010082	3
PB010100	3	PE030001PVD	4
PB010206	3	PE030005	4, 5
PB010207	3	PE030012	4
PB010209	3	PE050001	2
PB020022	6	PE050005	6
PB020023	6	PE050016	3
PB020034	6	PE050017	3
PB020038	2	PE050023	3
PB020216	6	PE050024	3
PB040001	6, 6, 6	PE050035	6
PB040027	6	PE060007	4, 5
PB040034	2, 6, 6	PE060008	4, 5
PB040036	2, 6, 6	PE060009	5
PB040040	6	PE060018	4
PB050011	6	PE060020	4
PB050012	6	PE070068	2
PB060018	3	PE070070	2
PB060038	3	PE070071	2
PB070014	4, 5	PE070128	2
PB070030	7	PE070719	2



PK000007 2
PK000008 2