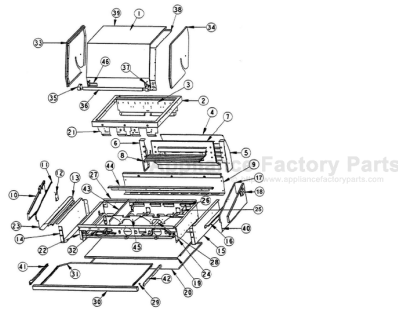


This Owner's Manual is provided and hosted by [Appliance Factory Parts](#).



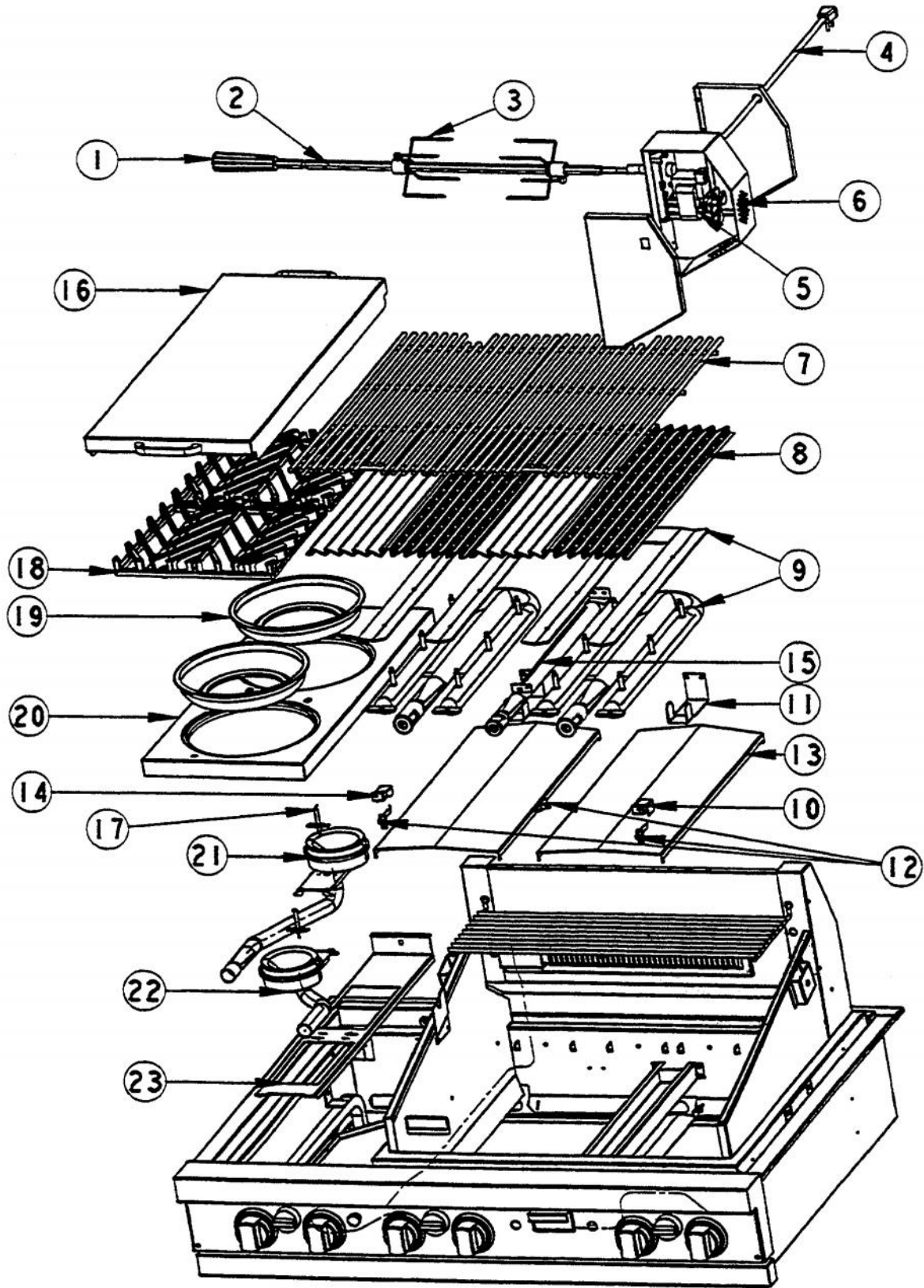
VIKING VGBQ4122RS_1 Owner's Manual

[Shop genuine replacement parts for VIKING
VGBQ4122RS_1](#)

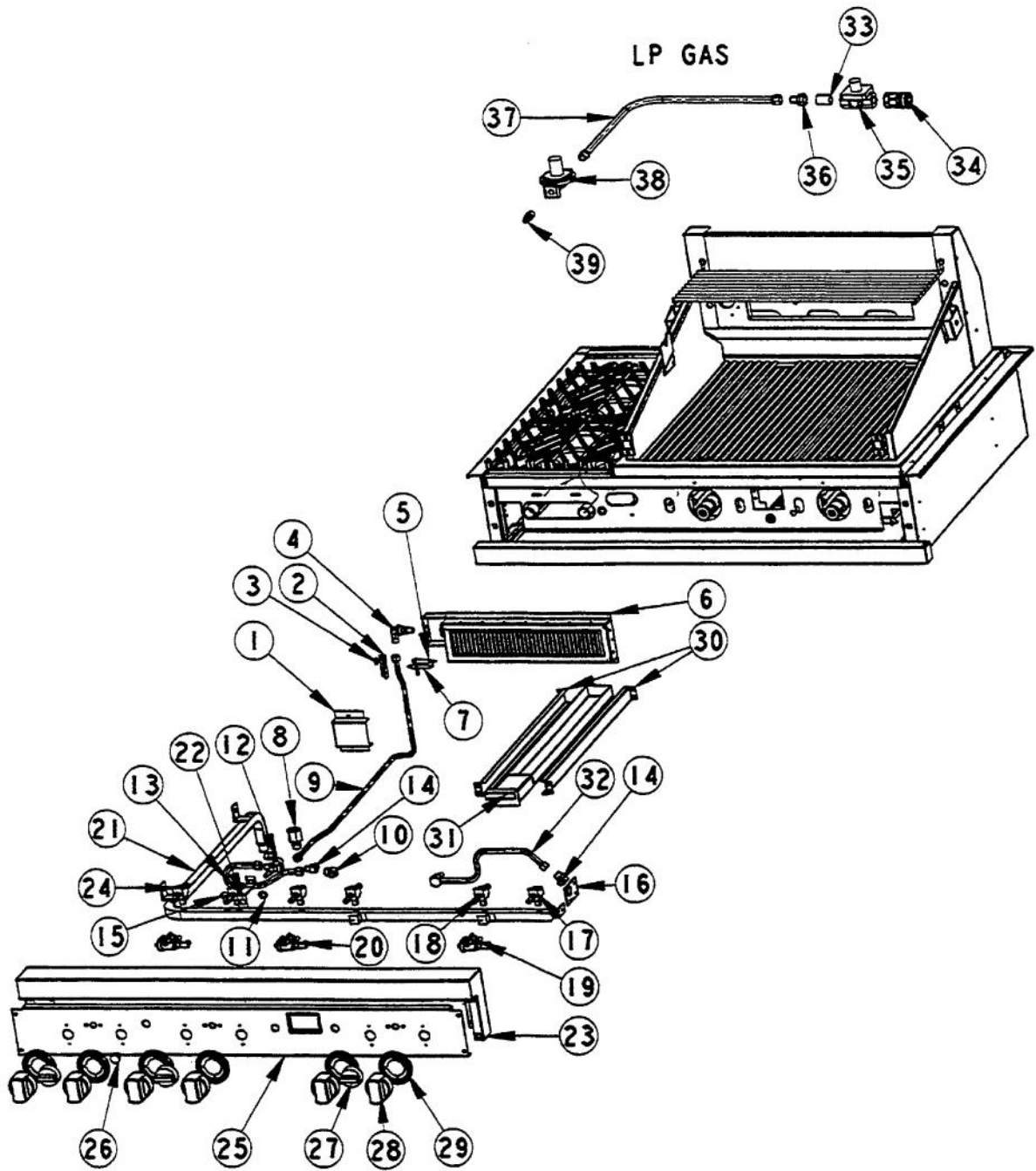


[Find Your VIKING Grill Parts - Select From 210 Models](#)

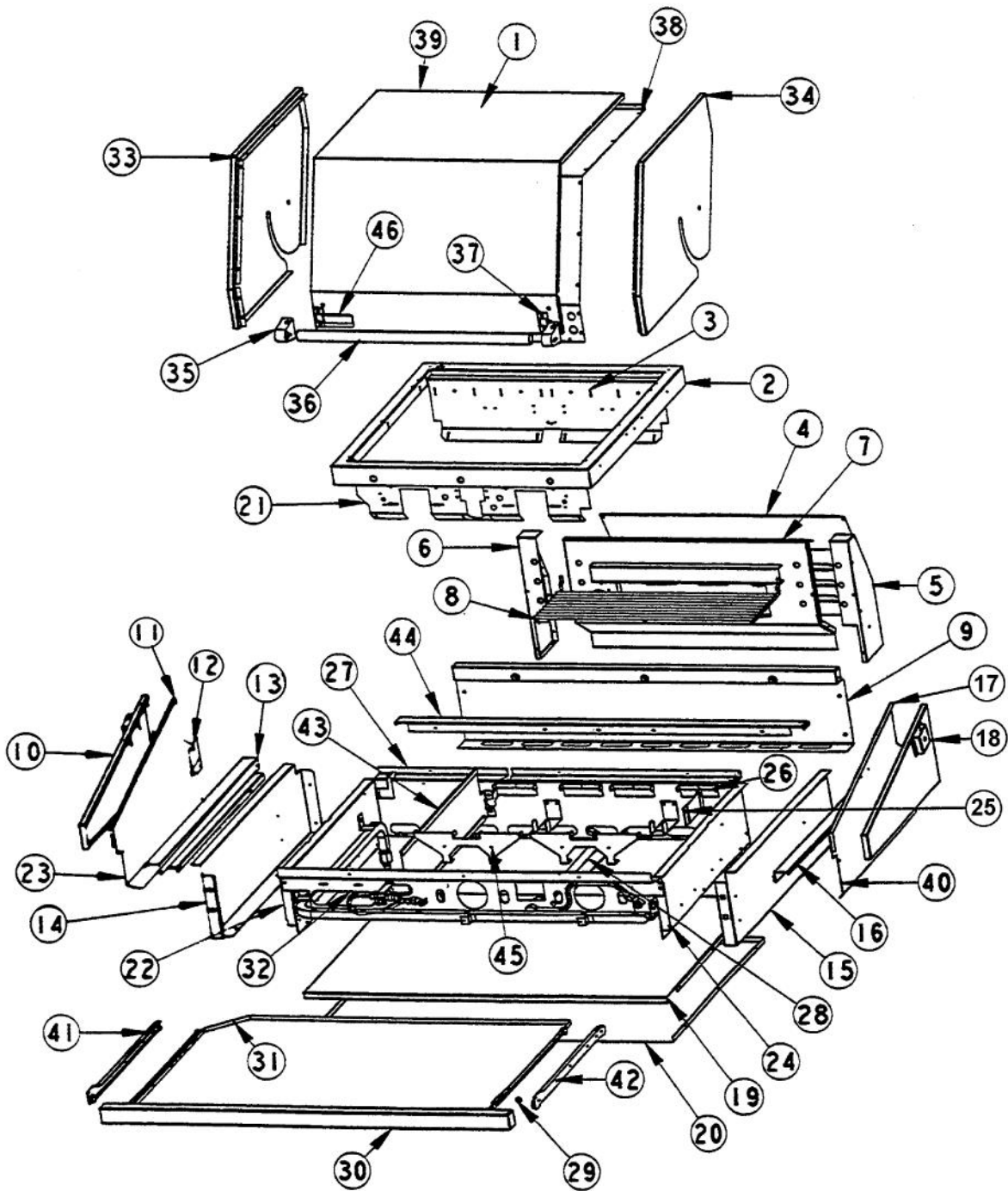
----- Manual continues below -----



Ref #	Part Number	Qty.	Description
1	PE030039		SPIT HANDLE (ROT. BBQ GRILL)
2	PB060033		SPIT ROD ROTIS 30 BBQ GRILL
3	PB060058		SPIT FORK
4	PE070189		ELECTRICAL SUPPLY CORD - BBQ GRILL
5	PE070184		ROTISSERIE MOTOR
6	G3204910		ROTISSERIE MOTOR REPL G3203346
7	PB060049		COOKING GRIDS REPL PB060028
8	PK010143		FLAVOR GRIDS
9	G5004548		SS BURNER KIT REP PA080035
10	B2003273		IGNITOR COVERS (VGBQ)
11	B2004922		REAR BURNER BRACKET (P1 GRILL)
12	PB040169		IGNITOR FOR (BBQ) GRILL S (1783-25)
13	B2003270		BURNER DRIP SHIELD (VGBQ)
14	B2003546		IGNITOR COVER LH (VGBQ)
15	PB050058		PHASE 1 SMOKER BURNER
16	G3203150		SIDE BURNER COVER ASSY.(SERV.NO.) BBQ
17	PA020014		SPARK IGNITER
No.	PE070233		IGNITER WIRE - SIDE BURNER
18	PA060030		V GRATE-VGRT XBKX
19	PA030002SS		BURNER BOWL (VGBQ) XSSX
20	B2103233		SIDE BURNER GRATE SUPT.-DRAWN
21	PA080037		TOP BURNER FRONT REPL PA080007
22	PA080036		TOP BURNER REAR REPL PA080008
23	B2003260		BURNER SUPT - BBQ GRILL
No.	PD020055		NO.10 X 1/2 PAN PHIL. TEK. SS
No.	PD030050		10-24 CAGE NUT SS
No.	PD020062		NO.8-32 X 3/8 PHMS TYPE 1



Ref #	Part Number	Qty.	Description
1	B2003319		THERMOCOUPLE / IGN. COVER-BBQ GRILL
2	B2003318		THERMOCOUPLE / IGN. BKT. -BBQ GRILL
3	PD030048		THERMOCOUPLE NUT M08-VGBQ-8743300007
4	PB040144		ORIFICE BURNER 90D 15IR NO.52 HD RED
No.	PB040063		ORIFICE HOOD-NO.52 9701B1652
No.	PB040145		LP IR ELBOW VGBQ NO.62 HD BLACK
No.	PB040084		ORIFICE HOOD-NO.62 9701B1662
5	PB010162		THERMOCOUPLE - BBQ GRILL W/ ROTIS
6	G3103323		IR ASSY - 30 BBQ GRILL
7	PB040122		IGNITOR FOR (BBQ GRILL) (1647-89)
No.	PE070233		I/R WIRE
8	PB040167		MALE COUPLER (PHASE 1 GRILL)
9	PB020096		48 5/16 S.S. FLEX TUBING REPL F2003505
10	PB040129		FTG.-ELBOW, 1/8NPT-5/16C.C.
11	PD030049		SAFETY VALVE NUT M12-VGBQ-8743300010
12	PB010158		SAFETY VALVE -(IR) (BBQ GRILL)
13	PB020082		SAFETY VALVE TUBING (P1 GRILL)
14	PB040150		ELBOW 3/8 TO 3/8 - 27
15	PA010012		ROPER PLUG
16	B1001138		MANIFOLD BRKT XSSX (VGBQ)
17	PA010030		GRILL VALVE-(VGRT)
18	PA010077		GRILL VALVE (NAT.)
No.	PB040076		ORIFICE HOOD-NO.40 9701B1640
No.	PA010078		GRILL VALVE - L.P.
No.	PB040067		ORIFICE HOOD-NO.53
19	PA020023		DUAL OUTPUT IGNITION SWITCH-(VGBQ) 1691-04
20	PA020022		SINGLE OUTPUT IGNITION SWITCH-(VGBQ (1691.06)
21	PA050060		UNIVERSAL MANIFOLD 41
22	B2003261		VALVE BRKT - BBQ GRILL W/ ROTIS.
23	G3003227		LANDING LEDGE ASSY - 36 BBQ GRILL
24	PA010024		SUB TO 003519-000 - TOP BURNER VALVE
25	B9203509		CTRL PAN (VGBQ4122R) XSLK SCR
26	PB010159		SAFETY VALVE KNOB
27	PB010156		IGNITION SWITCH KNOB (BBQ GRILL) 1390-16
28	PA010039		TOP GRILL KNOBxBKX (VGRC) (N/STYLE
29	PB010171		BEZEL - SS
	PB010172		BEZEL NEW BR REPL PB010107
30	B2003340		SMOKER TRAY SUPTS (VGBQ)
31	G3203341		SMOKER TRAY ASSY - (VGBQ)
32	PB020081		SMOKER TUBING (P1 GRILL)
33	PB040046		1/2 CLOSE NIPPLE (VGSO166)
34	PB040166		FEMALE COUPLER (PHASE 1 GRILL)
35	PA070006		PRESSURE REGULATOR - NATURAL
	PA070005		PRESSURE REG.(LP) RV47L-77-10.0
36	PB040146		1/2 X 3/8 FLARE ADAPTER (VGBQ)
37	PB020227		HIGH PRESSURE LP HOSE
38	PA070007		LP TANK REGULATOR (VGBQ)
39	PB040147		5LPA-10C PLUG (VGBQ LP)
No.	G3004936		REGULATOR ASSY - NAT (P1 GRILL)
No.	G3004937		REGULATOR ASSY - L.P. W/HOSE
No.	G5004200		LIGHTING WAND ASSY (VGBQ)
No.	PB080002		BROILER PAN
No.	PE070233		GRILL IGNITER WIRE
No.	G4003385		WIRING I/R BURNER 60
No.	G4003384		WIRE HARNESS-REAR BURNER IGNITER
No.	G4003383		WIRE HARNESS-FRONT BURNER IGNITER



Ref #	Part Number	Qty.	Description
1	G3204933FG		CANOPY ASSY 30/41 (P1 GRILL) XFGX
	G3204933FGBR		CANOPY ASSY 30/41 (P1 GRILL)XFGXBRX
	G3204933GG		CANOPY ASSY 30/41 (P1 GRILL) XGGX
	G3204933GGBR		CANOPY ASSY 30/41 (P1 GRILL)XGGXBRX
	G3204933SS		CANOPY ASSY 30M(P1 GRILL)
	G3204933SSBR		CANOPY ASSY 30/41 (P1 GRILL)XSSXBRX
	G3204933VB		CANOPY ASSY 30/41 (P1 GRILL) XVBX
	G3204933VBBR		CANOPY ASSY 30/41 (P1 GRILL)XVBXBRX
2	B2004232		30 GRILL FRAME
3	B2004906		REAR SHIELD - 30 (P1 GRILL)
4	B2003214		REAR COVER BBQ GRILL 30
5	B3003320		IR SUPT END RH - BBQ GRILL
6	B3003321		IR SUPT END LH - BBQ GRILL
7	G9103212		IR HOUSING ASSY - 30 BBQ GRILL
8	PB060032		WARMING RACK
9	B2004928		REAR PANEL 41 (P1 GRILL)
10	G3003303		O/S WINDSHIELD LH-BBQ GRILL
11	B2004958		INSIDE WINDSHIELD LH
12	B2003307		ROTIS SADDLE - BBQ GRILL
13	B2004926		GRILL SIDE TRIM - LH (P1 GRILL)
14	B2003242		SIDE PANEL LH BBQ GRILL 48
15	B2003241		SIDE PANEL RH BBQ GRILL 48
16	B2004925		GRILL SIDE TRIM - RH (P1 GRILL)
17	B2004957		INSIDE WINDSHIELD RH
18	G3003302		O/S WINDSHEILD RH-BBQ GRILL
19	B2003223		BTM INSUL. SHIELD BBQ GRILL 36
20	B2003222		BURNER BOX BTM BBQ GRILL 36
21	B2004902		FORNT SHIELD-30 W/SMOKER(P1 GRILL)
22	B2004908		BURNER BOX SIDE LH (P1 GRILL)
23	B2004955		SIDE SHIELD R/H & L/H
24	B2004907		BURNER BOX SIDE RH (P1 GRILL)
25	B2003306		ROTIS MOUNTING BRKT-BBQ
26	B2004924		REAR FLAVOR GRID SUPPORT (P1 GRILL)
27	B2003224		REAR SUPT BBQ GRILL 36
28	B2003791		CENTER SHIELD (VGBQ)
29	PD040004		GROMMET BUMPER
30	B3003231		DRIP TRAY HANDLE BBQ GRILL 41
No.	PD020078		NO.10-24 X 1/2 PH.TR. M.S.XSSX NYLOK
31	G3103286		DRIP TRAY/ASSY-41 BBQ REP G3104215
32	B2003767		FRONT SUPT (VGBQ412)
33	B2004919		CANOPY END LH (P1 GRILL)
34	B2004918		CANOPY END RH (P1 GRILL)
35	PE030001		BRACKET, DOOR, HANDLE
	PE030001PVD		END CAP DOOR HANDLE XBR
36	PE030041		DOOR HANDLE (CANOPY) XSSX (VGBQ30)
	PE030045PVD		CANOPY HANDLE (30) PVD
37	PD040010		DOOR HANDLE SPACER
38	B2004935		CANOPY HEAT SHIELD 30/41 (P1 GRILL)
39	B2004931		CANOPY 30/41 (P1 GRILL)
	B9004931FG		CANOPY BODY XFGX VGBQ3002S/4122S
	B9004931GG		CANOPY BODY XGGX VGBQ3002S/4122S
	B9004931VB		CANOPY BODY XVBX VGBQ3002S/4122S
40	B2004955		SIDE SHIELD R/H & L/H
41	PK000007		DRIP TRAY GUIDE - LH (VGRT)
42	PK000008		DRIP TRAY GUIDE - RH
43	B2003790		SIDE BURNER SHIELD (VGBQ)
44	B2003232		REAR TRIM BBQ GRILL 36
45	B2004923		FRONT BURNER BRACKET (P1 GRILL)
46	PE010142		3 LOGO XBKXXCHROME
	PE010143		3 LOGO BK/BR

Ref #	Part Number	Qty.	Description
No.	PE010143		3 LOGO BK/BR
No.	PD030006		CAPPED WASHER PAL NUT
No.	PC040014		POP RIVOT-SS42 SS