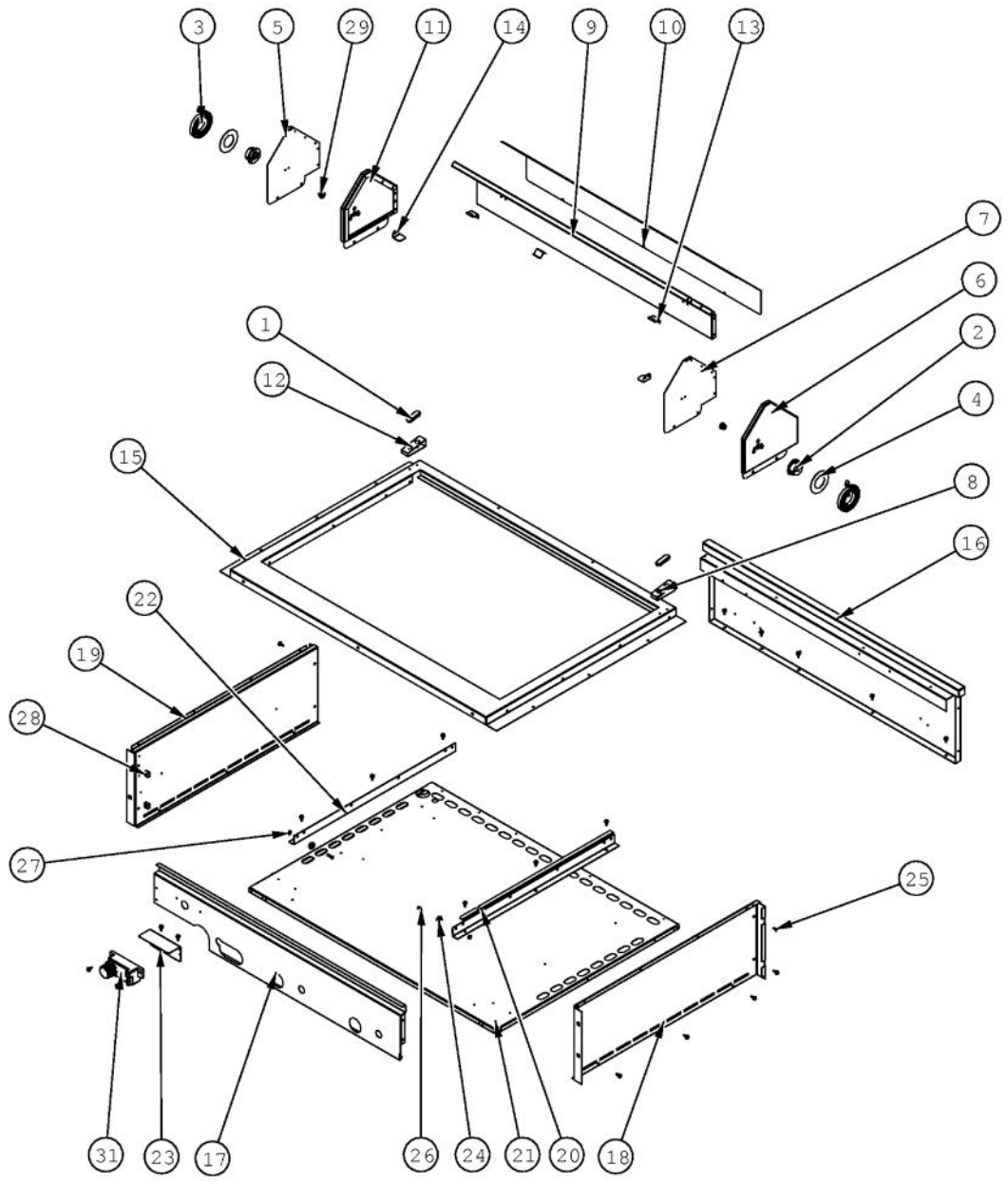
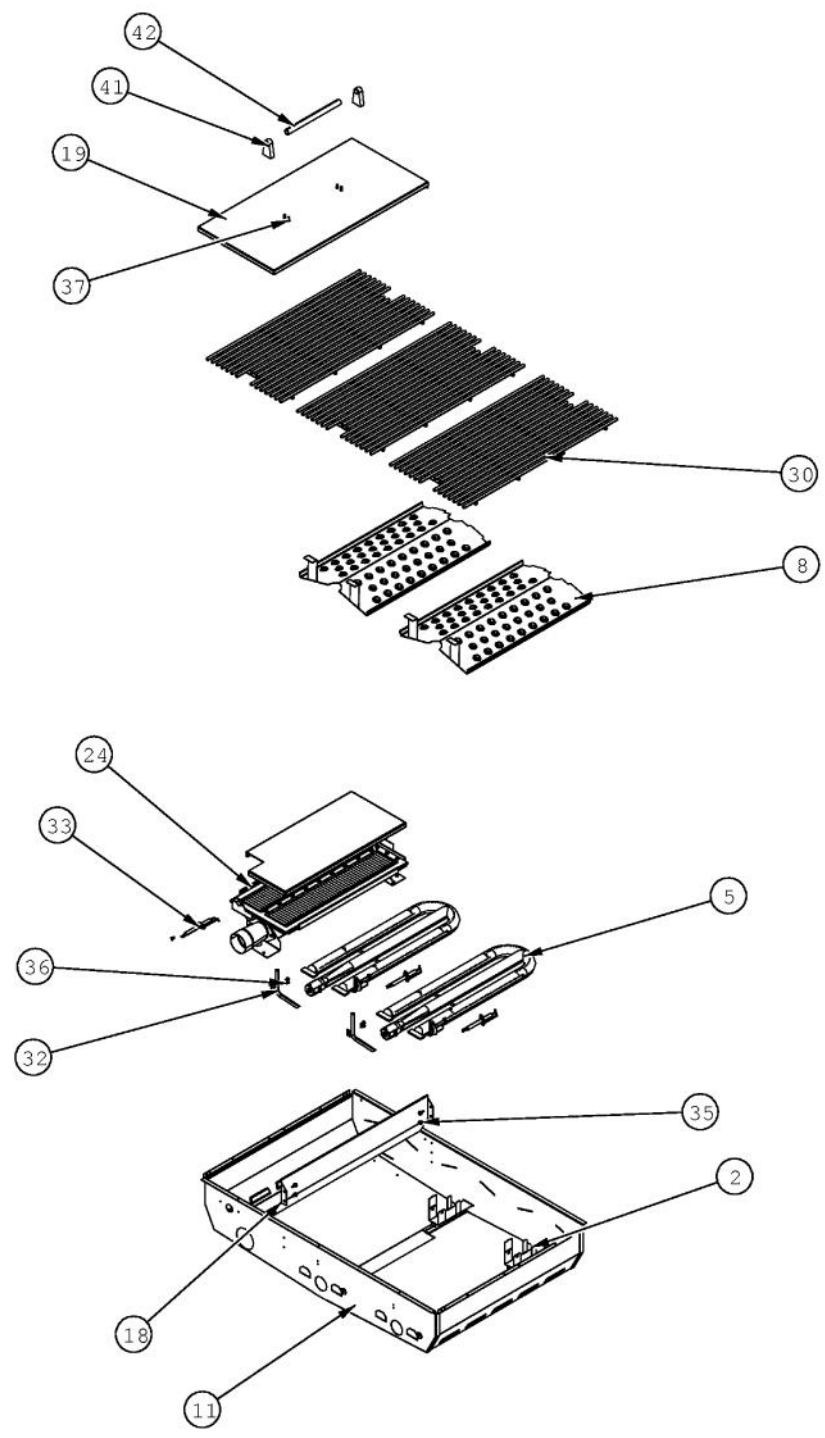


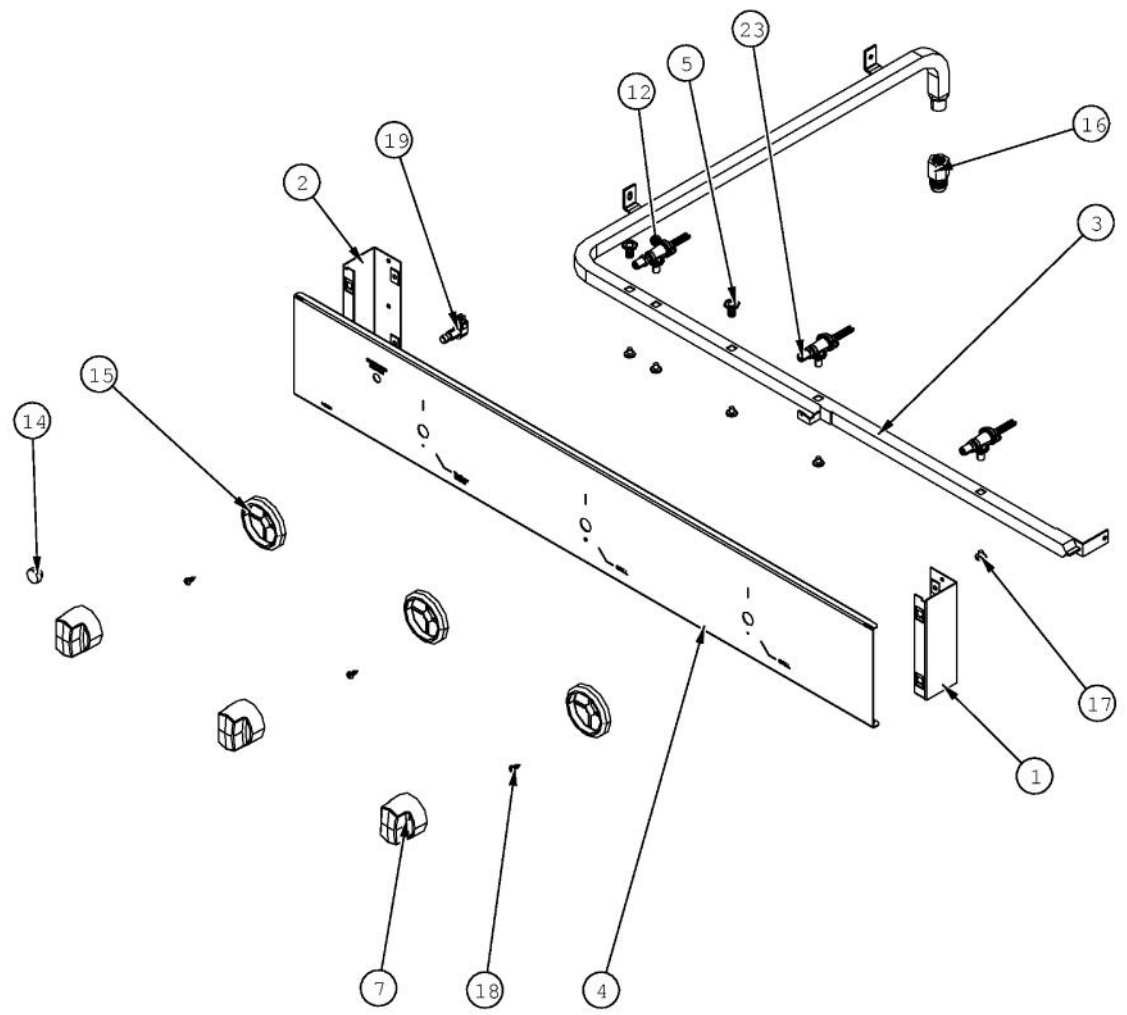
Ref #	Part Number	Qty.	Description
1	PD020069	32	CAP SCREW 1/4-20 X 3/4 SS
2	020055-000	72	SCR, DR, HXWH, 410SS, NPLT, 10-18 X 1/2
3	025634-000	1	STIFFENER SHELF
4	025635-000	1	FRONT TANK ENCLOSURE
5	025636-000	1	SIDE TANK ENCLOSURE
6	025640-000	1	SHELF BRACKET
7	025668-000	2	ANCHOR, TANK CHAIN
8	026541-000	2	SWIVEL CASTER W/BRAKE
9	026542-000	2	SWIVEL CASTER
10	033422-000	1	SIDE SHELF, RH, VFIQ
11	033423-000	1	SIDE SHELF, LH, VFIQ
12	033424-000	1	SURROUND SHELF, VFIQ GRILL
13	033425-000	1	COVER, REAR, VFIQ
14	033426-000	2	MOUNT, CASTER, VFIQ
15	033439-000	1	LINER, SIDE, LH
16	033440-000	1	LINER, SIDE, RH
17	033441-000	1	SIDE, RH
18	033442-000	1	SIDE, LH
19	033443-000	1	BASE, CART ASM
20	033616-000	2	SUPPORT, GRILL
21	034951-000	1	SHELF, WA
22	035043-000	1	DOOR TANK ENCLOSURE
26	PD020056	2	NO.10-24 X 1/2 PH.TR. M.S. SS
27	PD030043	32	1/4-20 CAGE NUT SS
28	PD030044	3	10-24 KEPS NUT SS
29	PE050052	1	LATCH
NI	029875-000	1	CHAIN, TANK
NI	026718-000	1	SNAP BUSHING, 1.06 X 1.6 X .453
NI	026931-000	1	PLUG, BK, NYL, PU SH GROMMET, 2 DIA.
NI	B2008943	1	GREASE SCREEN



Ref #	Part Number	Qty.	Description
1	002671-000	2	RUBBER DOOR BUMPER
2	005942-000	2	SPRING INDEX
3	007206-000	2	CANOPY, SPRING, ASSIST- LIGHT
4	007818-000	2	RETAINER, CANOPY SPRING
5	025638-000	1	LINER, TOWER (LH)
6	025641-000	1	SIDE TOWER, RH
7	025642-000	1	SIDE LINER, TOWER
8	025643-000	1	STOP, LID (RH)
9	025644-000	1	LINER, TOWER
10	025645-000	1	BACK TOWER
11	025649-000	1	SIDE, TOWER (LH)
12	025650-000	1	STOP, LID (LH)
13	025651-000	3	WARMING RACK MOUNT
14	025652-000	2	BRACKET, WARMING RACK
15	025653-000	1	LANDING LEDGE
16	025656-000	1	COVER, BURNER BOX, REAR
17	025752-000	1	SUPPORT, GRL, FR, 41
18	034292-000	1	COVER, BURNER BOX, VFIQ (RH)
19	034293-000	1	COVER, BURNER BOX, VFIQ (LH)
20	G3005215	1	DRIP TRAY SLIDE - RH
21	B20015509	1	GRILL BOX BOTTOM 41
22	G3005214	1	DRIP TRAY SLIDE - LH
23	B2005250	1	SPARK MODULE BRACKET (PHASE 2)
24	PC020025	2	DRIP TRAY WHEEL
25	020055-000	25	SCR, DR, HXWH, 410SS, NPLT, 10-18 X 1/2
26	PD020082	2	10 X 24 COUNTERSUNK S.S. SCREW
27	PD030044	2	10-24 KEPS NUT SS
28	PD030050	4	10-24 CAGE NUT SS
29	PD030063	2	10-C05-HC 5/16-18 FLANGE NUT
31	PA020036	1	SPARK MODULE

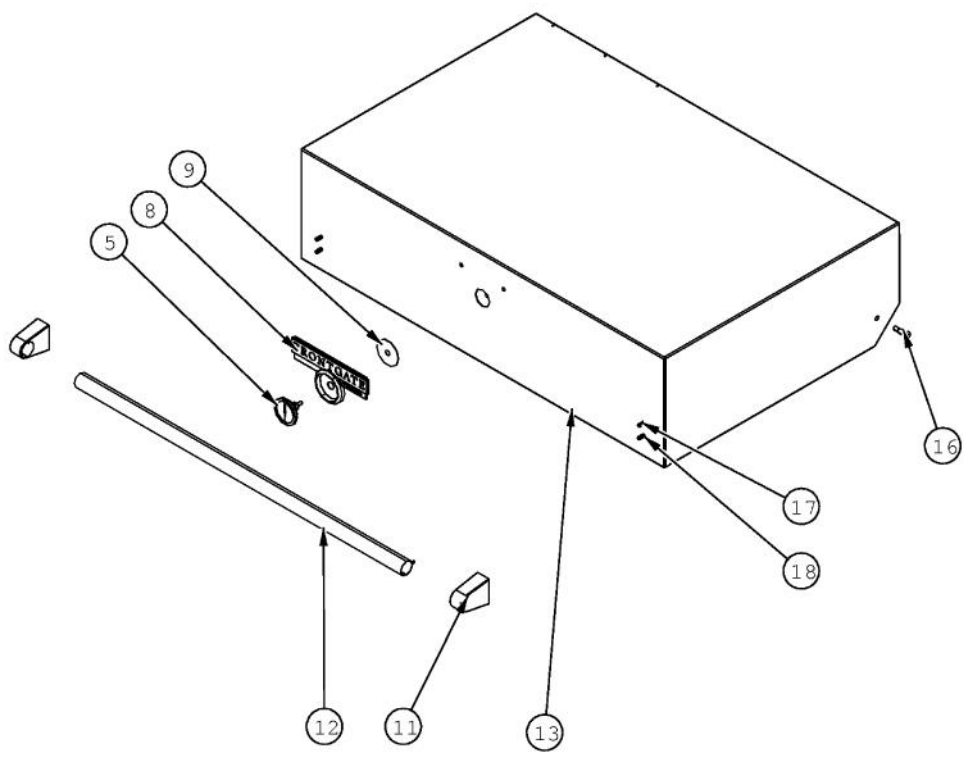


Ref #	Part Number	Qty.	Description
5	025701-000	2	BURNER, GRL, ASM
8	024157-000	2	SHIELD, GRS
11	035146-000	1	BURNER BOX ASM, VFIQ
18	B20011414	1	BURNER BOX DIVIDER (VGIQ300T)
19	B20015415	1	VGIB151/VGIQ COVER
24	G3208947	1	IR BURNER ASSY
30	PA060052	3	GRILL COOKING GRATES
32	PB020114	2	FLASH TUBE (VGBQ3002T)
33	PB040288	3	SMOKER BURNER IGNITER
35	020055-000	4	SCR, DR, HXWH, 410SS, NPLT, 10-18 X 1/2
36	020055-000	4	SCR, DR, HXWH, 410SS, NPLT, 10-18 X 1/2
37	PD020056	4	NO.10-24 X 1/2 PH.TR. M.S. SS
41	PE030187	2	ENDCAP, TUBE
42	PE030197	1	VGIQ30 COVER HANDLE

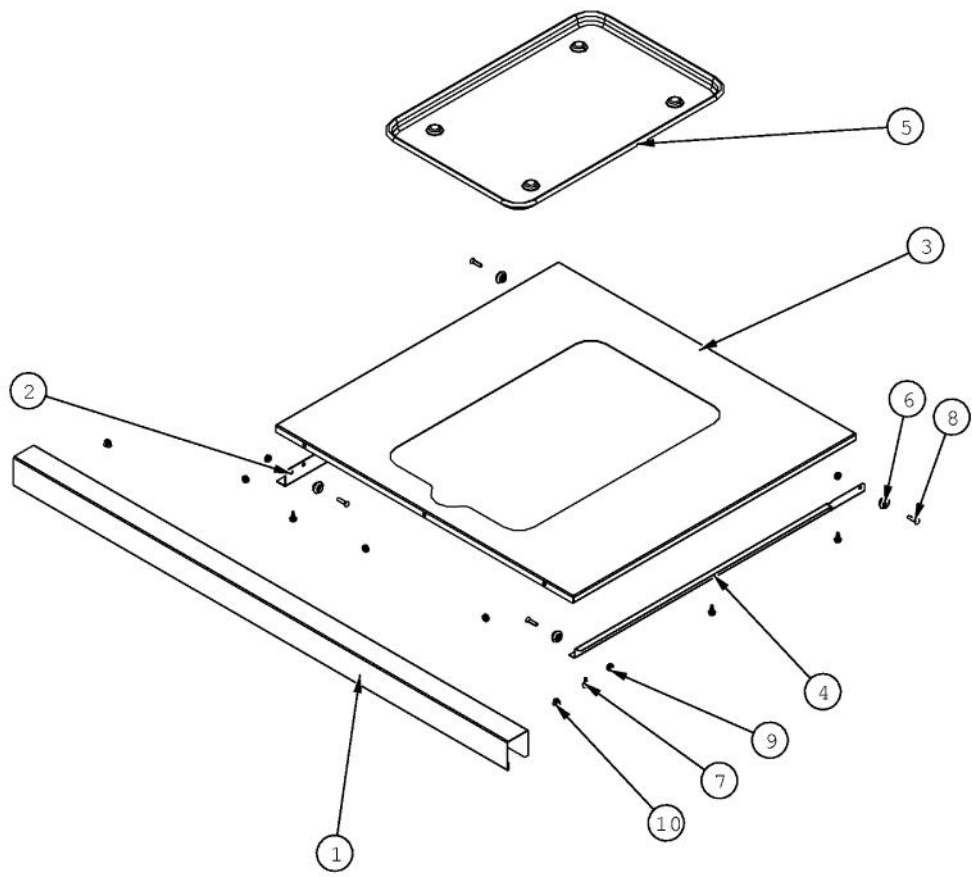


Ref #	Part Number	Qty.	Description
1	025665-000	1	MOUNT, VALVE PANEL (RH)
2	025666-000	1	MOUNT, VALVE PANEL (LH)
3	025866-000	1	MANIFOLD, GAS, IQ4103
4	033704-000	1	PANEL, FRONT, VFIQ
5	002884-000	2	MANIFOLD PLUG
7	003561-000	3	OUTDOOR GRILL KNOB
12	008772-000	1	VALVE, GAS ASM - LP
12	008773-000	1	VALVE, GAS ASM - NAT.
14	PB010163	1	OVEN LIGHT SWITCH KNOB BK
15	PB010304	3	KNOB BEZEL
16	PB020239	1	7/8 FLARE TO 1/2 FEMALE CONNECTOR
17	PD010012	5	VALVE BOLT 1/4-20 UNC-2B 5/16 M.S.
19	PE050063	1	SPARKER SWITCH
23	014953-000	2	VALVE, GAS, ASM, U BNR - LP
23	014952-000	2	VALVE, GAS, ASM, U BNR
NI	PB020227	1	HIGH PRESSURE LP HOSE
NI	PA010138	1	CYLINDER CONNECTION
NI	PA070007	1	LP TANK REGULATOR (VGBQ)
NI	PA070006	1	PRESSURE REGULATOR - NATURAL





Ref #	Part Number	Qty.	Description
5	020659-000	1	GAUGE, BMTL, TEMPERATURE
8	025682-000	1	FRONTGATE LOGO
9	026724-000	1	SPACER, WSHR
11	026965-000	2	END CAP, ASM, DOOR HANDLE
12	032436-000	1	HANDLE, HOOD, 542
13	035099-000	1	CANOPY, WELD ASM, VFIQ
16	PD010043	2	5/16INCH SHOULDER BOLT (PHASE 2)
17	PD020069	4	CAP SCREW 1/4-20 X 3/4 SS
18	PD040160	4	3/8 STEEL WASHER



Ref #	Part Number	Qty.	Description
1	035239-000	1	HANDLE, DRIP TRAY, VFIQ6203
2	B2005317	1	DRIP TRAY RUNNER LH (PHASE 2)
3	B2005310	1	DRIP TRAY 41 (VGBQ4103RT)
4	B2005316	1	DRIP TRAY RUNNER RH
5	J2101749	1	GREASE PAN
6	PC020025	2	DRIP TRAY WHEEL
7	020055-000	6	SCR, DR, HXWH, 410SS, NPLT, 10-18 X 1/2
8	PD020082	2	10 X 24 COUNTERSUNK S.S. SCREW
9	PD030044	7	10-24 KEPS NUT SS
10	PD040004	2	GROMMET BUMPER

*No Image  
Available*

Ref #	Part Number	Qty.	Description
NI	G4006376	2	WIRE ASSY (VGBQ-T SERIES) 10
NI	G4006384	1	WIRE ASSY (VGBQ-T SERIES) 7 NOT FIELD REPLACEABLE
NI	G4006379	1	WIRE ASSY (VGBQ-T SERIES) 25
NI	G40011206	1	GRILL WIRE
NI	G4001656	1	SPARK MODULE GROUND WIRE
NI	PE070036	6	TIE WRAP