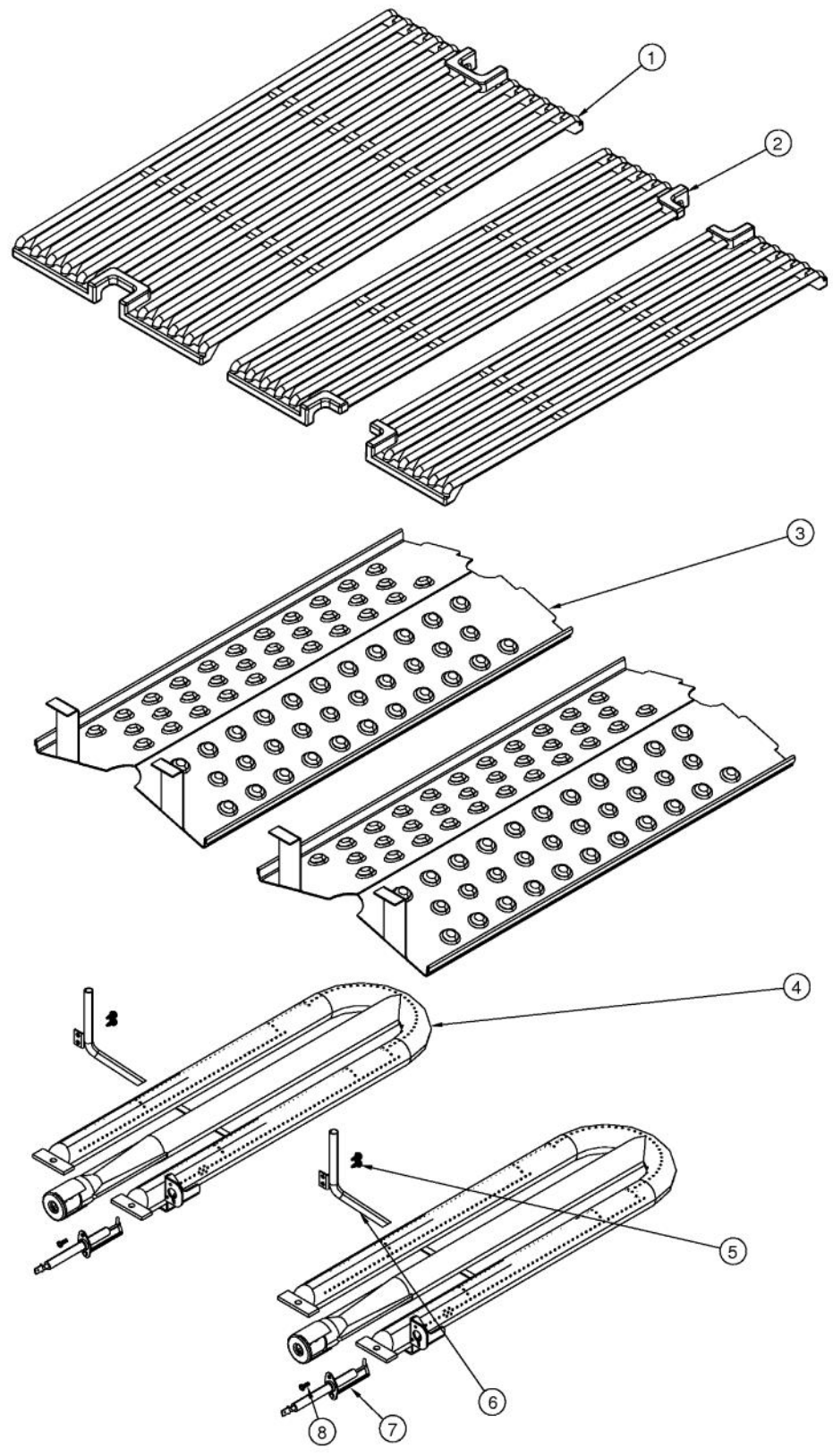
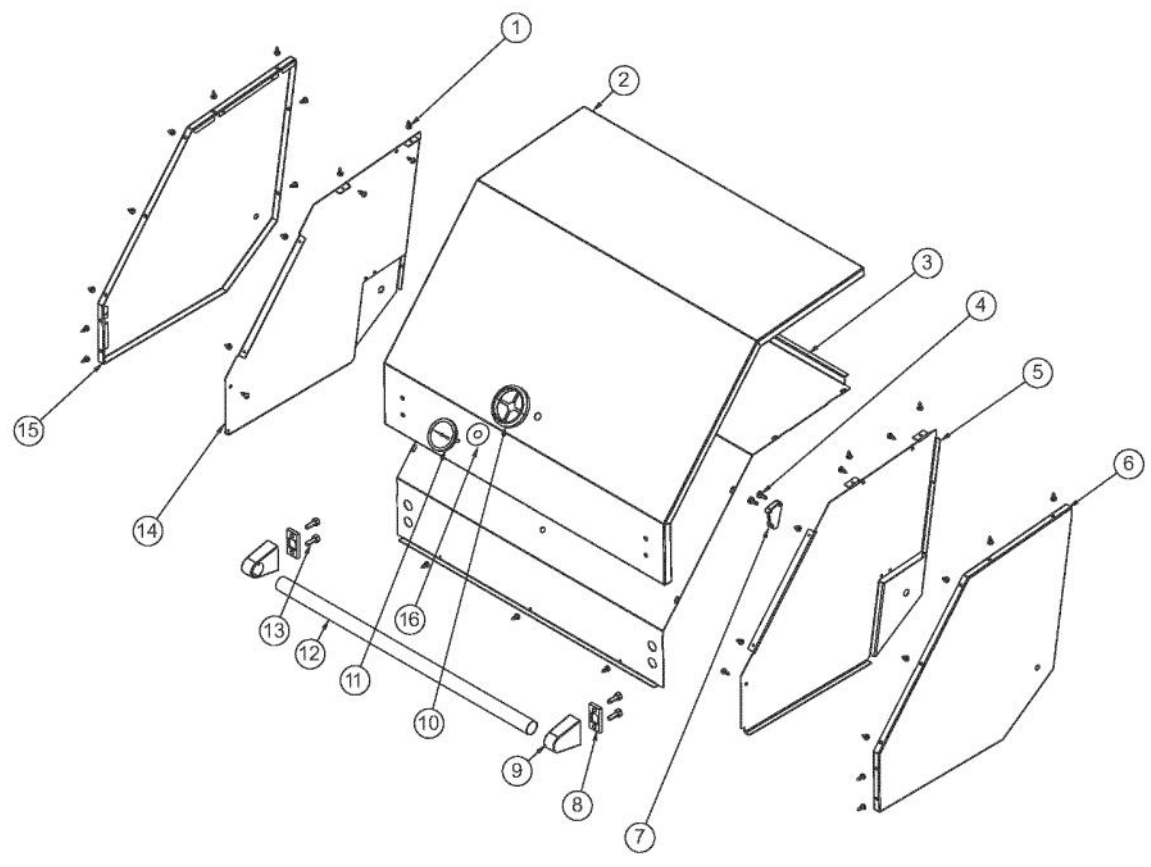


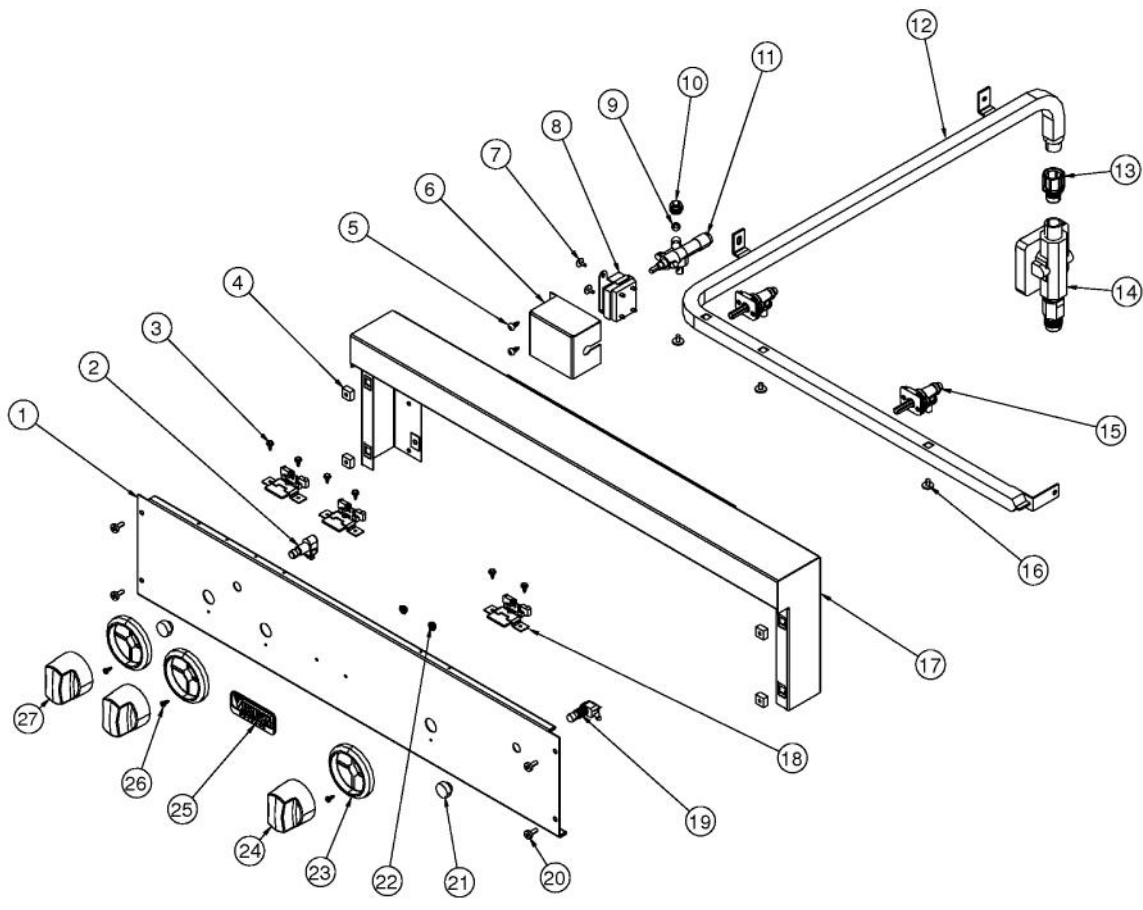
| Ref # | Part Number | Qty. | Description  |
|-------|-------------|------|--|
| 1     | B20015516   | 1    | GRILL FRAME 30   |
| 2     | 020051-000  | 65   | SCR, DR, PHLP,PNH, 410SS, NPLT, 10-16 X 1/2                |
| 3     | 006010-000  | 2    | GRILL BURNER REAR BRACKET                                  |
| 4     | 025544-000  | 1    | BOX, BNR, BACK, 30   |
| 5     | 025543-000  | 2    | BOX, BRN, BOT, 30  |
| 6     | 002671-000  | 2    | RUBBER DOOR BUMPER   |
| 7     | 002353-000  | 2    | GRILL PLUG VENT  |
| 8     | B2006305    | 2    | HEAT SHIELD BRACKET  |
| 9     | L1005399    | 1    | REAR HEAT SHIELD 30`                                       |
| 10    | 003856-000  | 1    | 30 GRILL REAR TRIM   |
| 11    | B20015513   | 1    | GRILL BOX BACK 30  |
| 12    | 002355-000  | 2    | GRILL RECEPTACLE BOX                                       |
| 13    | A2000210    | 1    | WIRE CHANNEL   |
| 14    | B2005203    | 1    | GRILL BOX SIDE RH (PHASE 2)                                |
| 15    | L1005398    | 2    | SIDE HEAT SHIELD   |
| 16    | PD030050    | 4    | 10-24 CAGE NUT SS  |
| 17    | PD020056    | 4    | NO.10-24 X 1/2 PH.TR. M.S. SS                              |
| 18    | PE070791    | 1    | GRILL POWER SUPPLY CORD (8 FT)                             |
| 19    | B20015510   | 1    | GRILL BOX BOTTOM 30  |
| 20    | 025801-000  | 1    | SUPPORT, GRL, FR, VGBQ3002RE2                              |
| 21    | B2005204    | 1    | PANEL, GRL, LH   |
| 22    | PD040044    | 1    | SNAP THRU BUSHING 1/4DIA CORD                              |
| 23    | 025542-000  | 1    | BOX, BNR, FR, 30   |
| 24    | PD020166    | 1    | NO.10 X 3/4 PAN PHIL. TEK. XSSX                            |
| 25    | PA020047    | 1    | INVENSYS 0+4 RE-IGNITION SPARK MODULE                      |
| 26    | PE070855    | 1    | E SERIES TERMINAL BLOCK                                    |
| 27    | B20015568   | 1    | 0+4 SM/TB HOUSING BTM                                      |
| 28    | B30015552   | 1    | 0+4 SPARK MODULE TERMINAL HOUSING                          |
| 29    | 006011-000  | 4    | GRILL BURNER FRONT BRACKET                                 |
| 30    | 004089-000  | 1    | POWER CORD SHIELD  |
| NI    | 025700-000  |      | HOUSING, MDL, ASM, LH<br>(INCLUDES ITEMS 24 - 28 & ITEM 2) |



| Ref # | Part Number | Qty. | Description                                    |
|-------|-------------|------|--|
| 1     | 002369-000  | 1    | REDESIGN BBQ GRATE - FULL                      |
| 2     | 002370-000  | 2    | REDESIGN BBQ GRATE - HALF                      |
| 3     | 024157-000  | 2    | SHIELD, GRS                                    |
| 4     | 023000-000  | 2    | BURNER, GRL, ASM, U                            |
| 5     | 008026-000  | 4    | NO.6-20 HEX WASHER SS SCREW                    |
| 6     | PB020114    | 2    | FLASH TUBE (VGBQ3002T)                         |
| 7     | PB040288    | 2    | SMOKER BURNER IGNITER                          |
| 8     | 004706-000  | 2    | MACHINE SCREW, 6-32 X 3/8, PAN HD, PHILLIPS    |
| NI    | 025701-000  | 1    | BURNER, GRL, ASM<br>(INCLUDES ITEMS 4, 7, & 8) |

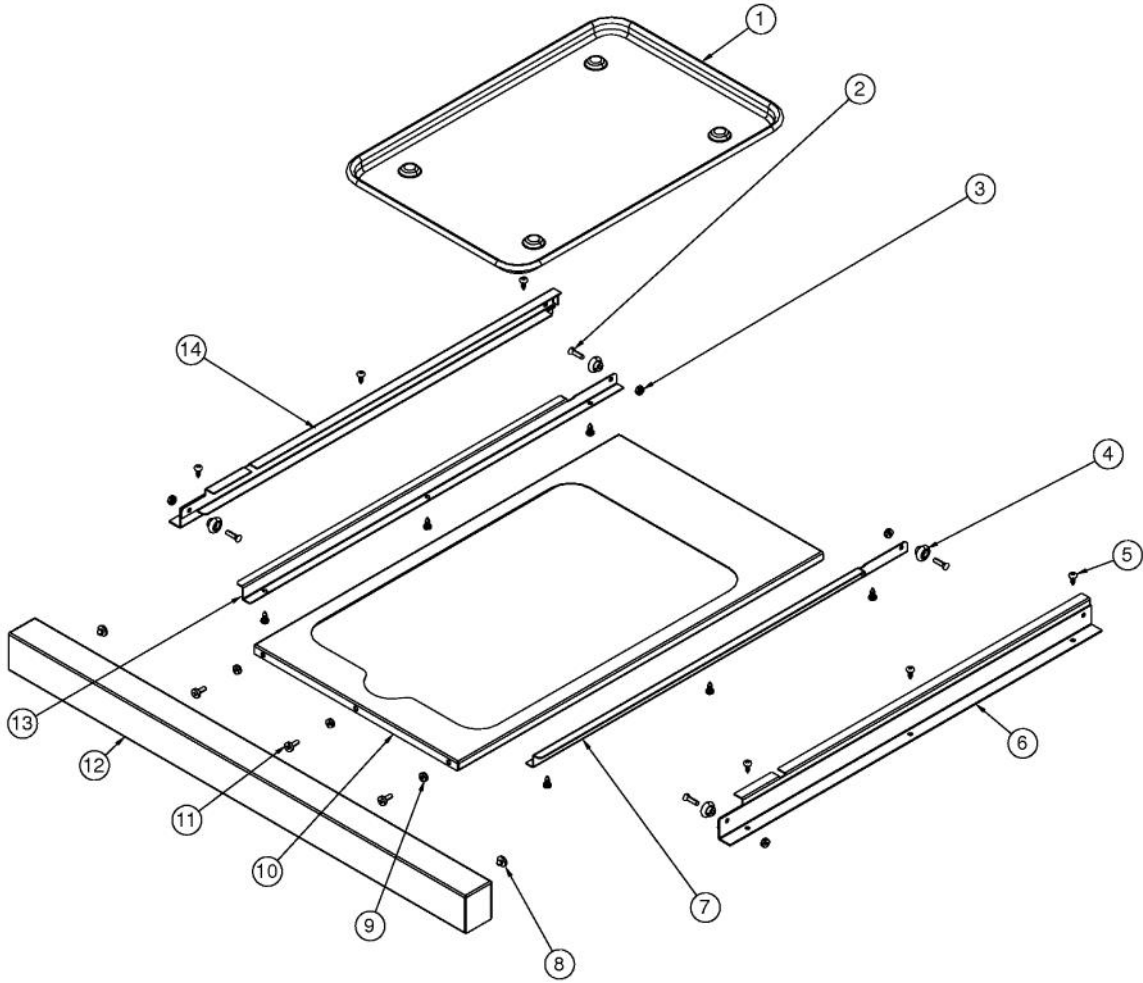


| Ref # | Part Number | Qty. | Description                                   |
|-------|-------------|------|---|
| 1     | 020051-000  | 35   | SCR, DR, PHLP,PNH, 410SS, NPLT, 10-16 X 1/2   |
| 2     | 025802-000  | 1    | SHIELD, CANOPY, FR                            |
| 3     | 003635-000  | 1    | 30 CANOPY HEAT SHIELD                         |
| 4     | PD020056    | 2    | NO.10-24 X 1/2 PH.TR. M.S. SS                 |
| 5     | 007379-000  | 1    | GRILL CANOPY INSIDE RH                        |
| 6     | 003630-000  | 1    | GRILL CANOPY OUTSIDE RH                       |
| 7     | 007215-000  | 1    | CANOPY SPRING END MOUNT-RH                    |
| 8     | PD040010    | 2    | DOOR HANDLE SPACER                            |
| 9     | 000268-000  | 2    | HANDLE END CAP ASSY                           |
| 10    | PB010304    | 1    | KNOB BEZEL                                    |
| 11    | 020659-000  | 1    | GAUGE, BMTL, TEMPERATURE                      |
| 12    | PE030041    | 1    | DOOR HANDLE (CANOPY) XSSX (VGBQ30)            |
| 13    | PD020069    | 4    | CAP SCREW 1/4-20 X 3/4 SS                     |
| 14    | 003633-000  | 1    | GRILL CANOPY INSIDE LH                        |
| 15    | 003632-000  | 1    | GRILL CANOPY OUTSIDE LH                       |
| 16    | 026724-000  | 1    | SPACER, WSHR                                  |
| NI    | 025805-000  | 1    | HOOD, GRL, ASM, 30<br>(INCLUDES ITEMS 1 - 15) |

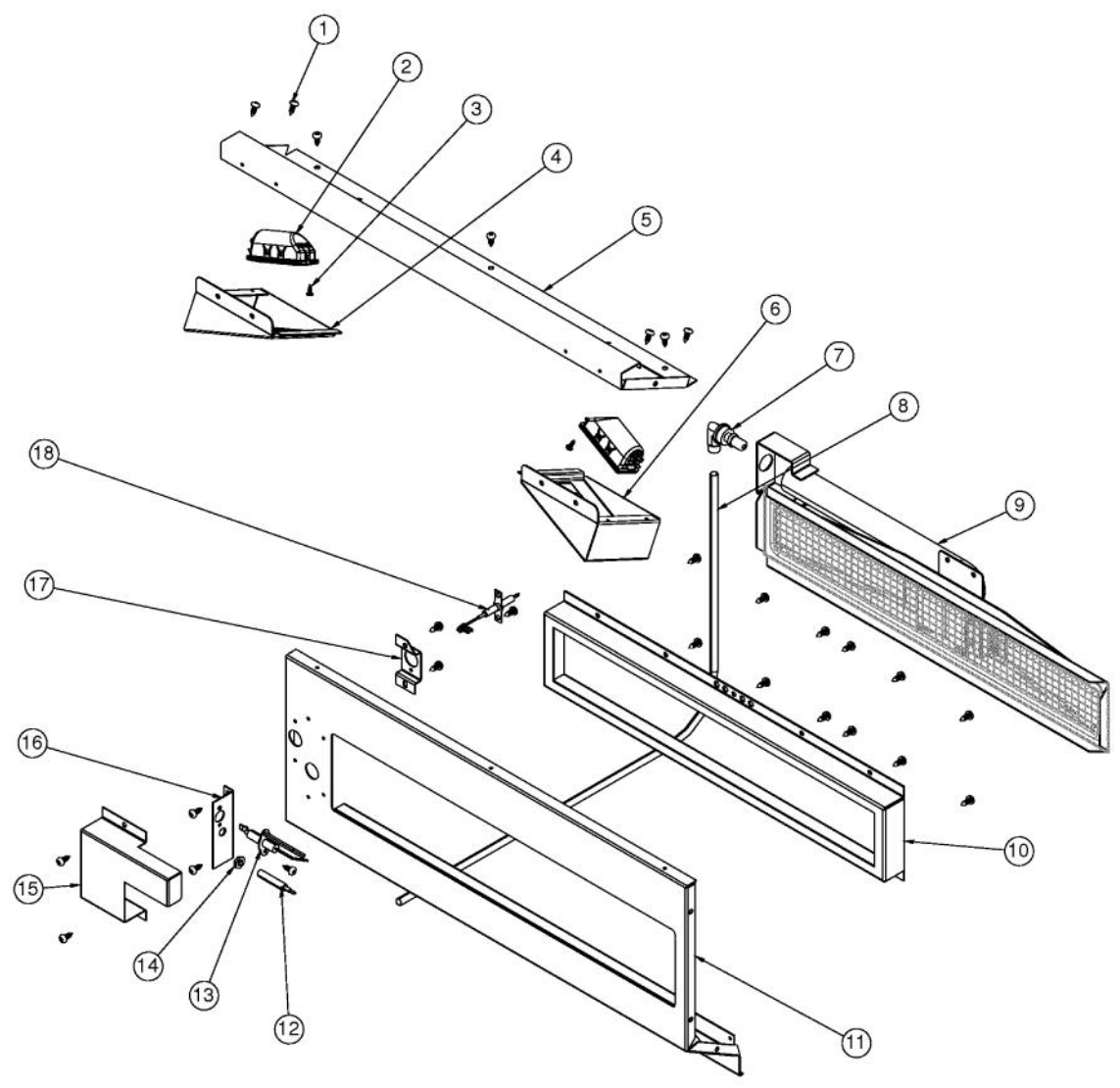


| Ref # | Part Number | Qty. | Description  |
|-------|-------------|------|--|
| 1     | 025806-000  | 1    | CONTROL PANEL, VGBQ3002RE2                                       |
| 2     | PE050063    | 1    | SPARKER SWITCH   |
| 3     | 008026-000  | 6    | NO.6-20 HEX WASHER SS SCREW                                      |
| 4     | PD030050    | 4    | 10-24 CAGE NUT SS  |
| 5     | 020051-000  | 2    | SCR, DR, PHL,P,PNH, 410SS, NPLT, 10-16 X 1/2                     |
| 6     | 007657-000  | 1    | PROT. COVER  |
| 7     | PD020073    | 2    | SRW NO.10 X 24 X 3/8 WAFER HD TYPE23                             |
| 8     | 006021-000  | 1    | SCE, PWR, LED, 12VAC   |
| 9     | PB040263    | 1    | 5/16 FERRULE   |
| 10    | PB040228    | 1    | FITTING BRASS COMPRESSION NUT                                    |
| 11    | PB010191    | 1    | I.R. SAFETY VALVE (PHASE II GRILLS)                              |
| 11    | PB010220    | 1    | I.R. SAFETY VALVE LP   |
| 12    | 025799-000  | 1    | MANIFOLD, GRL, 30  |
| 13    | 023650-000  | 1    | NIPPLE, ASM  |
| 14    | G3004936    | 1    | REGULATOR ASSY - NAT (P1 GRILL)                                  |
| 14    | G3004937    | 1    | REGULATOR ASSY - L.P. W/HOSE                                     |
| 15    | 014952-000  | 2    | VALVE, GAS, ASM, U BNR   |
| 15    | 006389-000  | 2    | GAS VALVE - LP   |
| 16    | PD010012    | 5    | VALVE BOLT 1/4-20 UNC-2B 5/16 M.S.                               |
| 17    | G3005223    | 1    | LANDING LEDGE ASSY 30 (PHASE 2)                                  |
| 18    | 005999-000  | 3    | LED BOARD ASSEMBLY   |
| 19    | PE050019    | 1    | OVEN LIGHT SWITCH (VGSO166) 90-DEG.                              |
| 20    | PD020056    | 4    | NO.10-24 X 1/2 PH.TR. M.S. SS                                    |
| 21    | PB010163    | 2    | OVEN LIGHT SWITCH KNOB BK  |
| 22    | PD030006    | 2    | CAPPED WASHER PAL NUT  |
| 23    | PB010304    | 3    | KNOB BEZEL   |
| 24    | 003561-000  | 2    | OUTDOOR GRILL KNOB   |
| 25    | 015009-000  | 1    | OUTDOOR LOGO - 3 CHROME  |
| 26    | 020041-000  | 3    | SCR, DR, PH, PNH, 410 SS, NPLT, 6-20 X 3/8                       |
| 27    | 003563-000  | 1    | ROTIS BURNER KNOB  |
| NI    | 025800-000  | 1    | MANIFOLD, GAS, ASM, VGBQ3002RE2                                  |
| NI    | 026744-000  | 1    | MANIFOLD, LP GAS ASM, VGBQ3002RE2                                |
| NI    | 025702-000  | 1    | HOUSING, XFMR, ASM<br>(INCLUDES ITEMS 6 - 8)                     |
| NI    | 025808-000  | 1    | PANEL, CTRL, ASM VGBQ3002RE2<br>(INCLUDES ITEMS 1 - 3 & 18 - 27) |

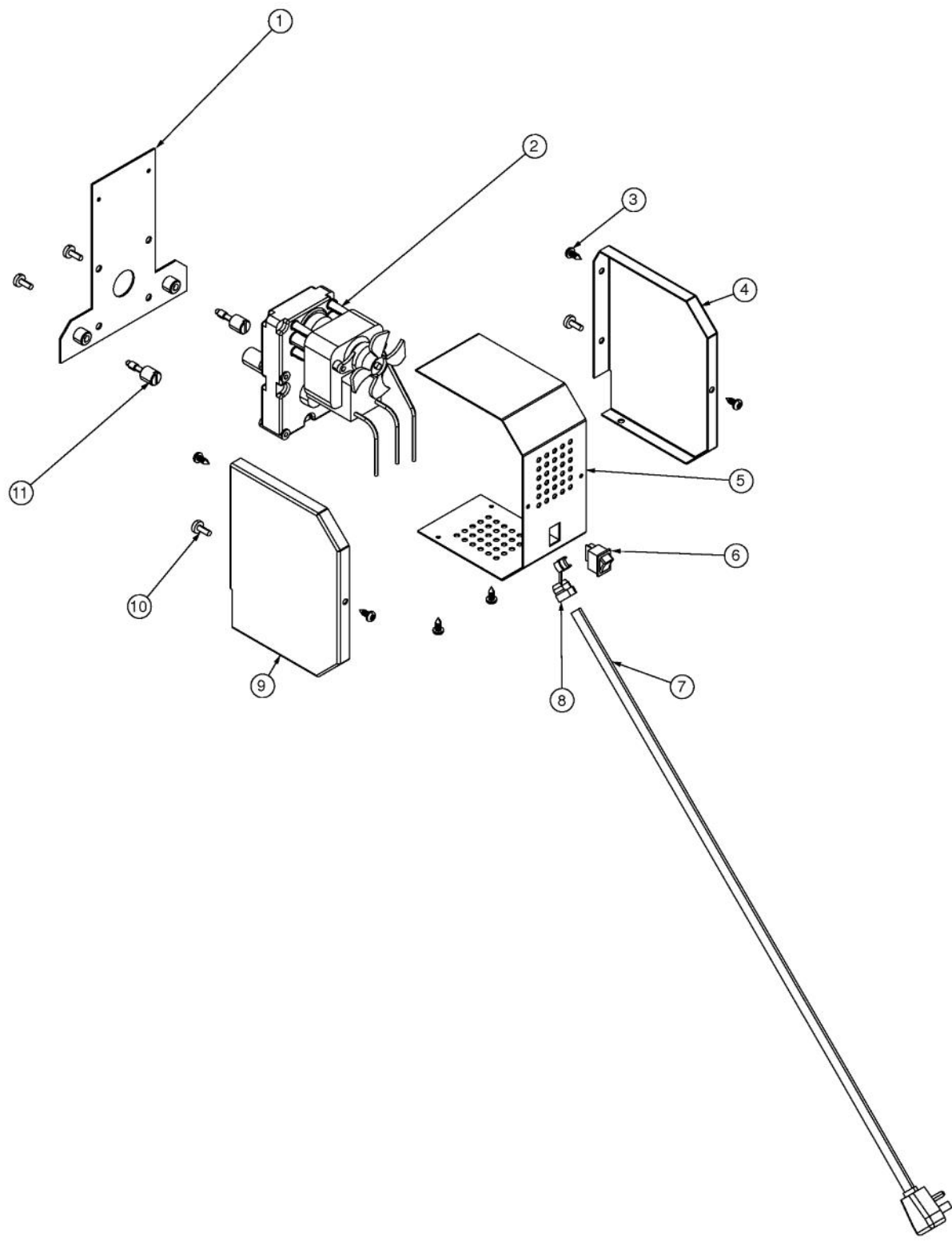




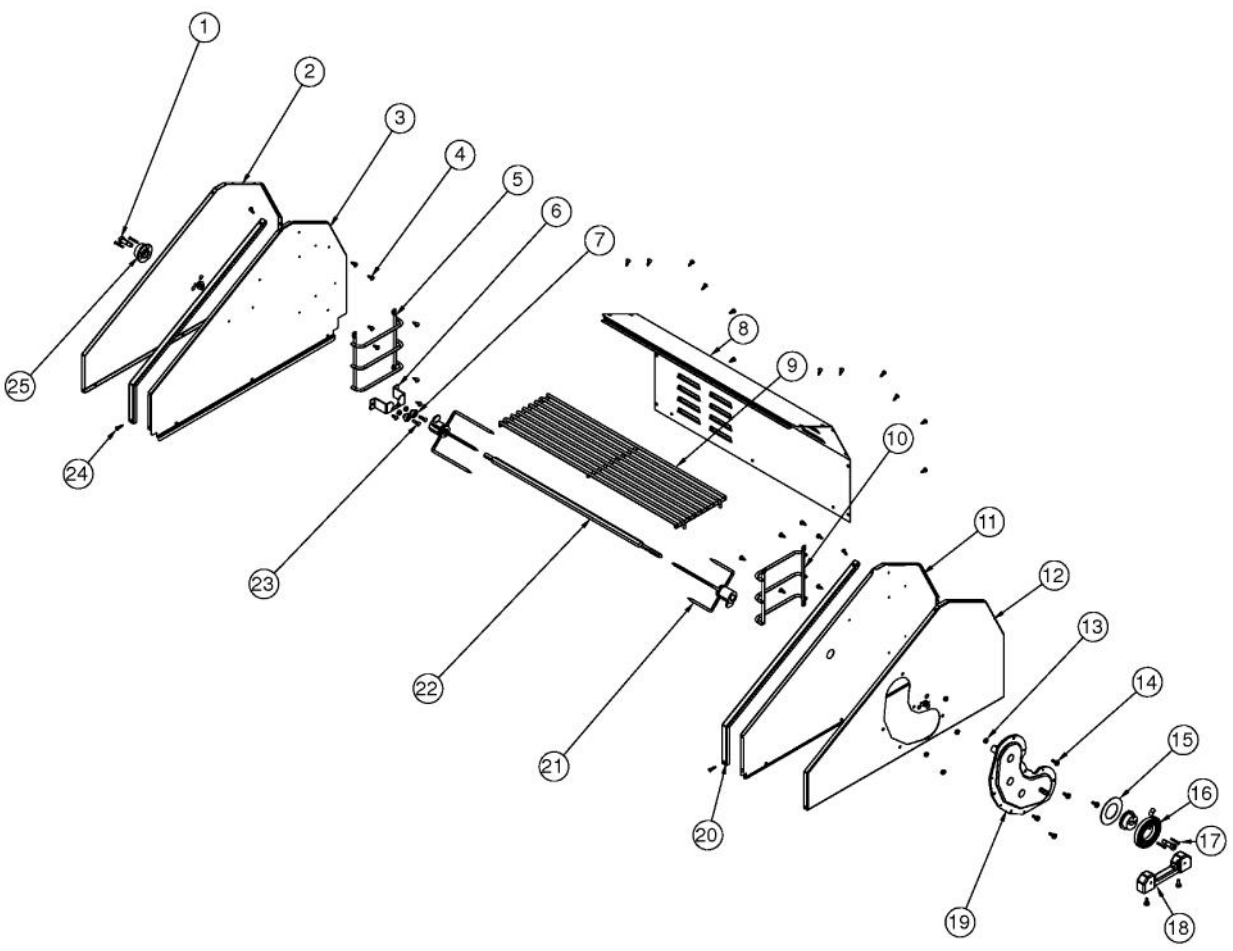
| Ref # | Part Number | Qty. | Description   |
|-------|-------------|------|---|
| 1     | J2101749    | 1    | GREASE PAN  |
| 2     | PD020082    | 4    | 10 X 24 COUNTERSUNK S.S. SCREW                              |
| 3     | PD030044    | 4    | 10-24 KEPS NUT SS   |
| 4     | PC020025    | 4    | DRIP TRAY WHEEL   |
| 5     | 020051-000  | 12   | SCR, DR, PHLP,PNH, 410SS, NPLT, 10-16 X 1/2                 |
| 6     | G3005215    | 1    | DRIP TRAY SLIDE - RH  |
| 7     | B2005316    | 1    | DRIP TRAY RUNNER RH   |
| 8     | PD040004    | 2    | GROMMET BUMPER  |
| 9     | PD030044    | 3    | 10-24 KEPS NUT SS   |
| 10    | B2005312    | 1    | DRIP TRAY 30 (PHASE 2)                                      |
| 11    | PD020056    | 3    | NO.10-24 X 1/2 PH.TR. M.S. SS                               |
| 12    | B3005315    | 1    | 30 INCH DRIP TRAY HANDLE (PHASE 2)                          |
| 13    | G3005214    | 1    | DRIP TRAY SLIDE - LH  |
| 14    | B2005317    | 1    | DRIP TRAY RUNNER LH (PHASE 2)                               |
| NI    | G3205308    | 1    | 30 INCH DRIP TRAY ASSY (PHASE 2)<br>(INCLUDES ITEMS 1 - 14) |



| Ref # | Part Number | Qty. | Description                                 |
|-------|-------------|------|---|
| 1     | 020051-000  | 27   | SCR, DR, PHLP,PNH, 410SS, NPLT, 10-16 X 1/2 |
| 2     | 001310-000  | 2    | 120V HALOGEN LIGHT                          |
| 3     | 020041-000  | 2    | SCR, DR, PH, PNH, 410 SS, NPLT, 6-20 X 3/8  |
| 4     | 000602-000  | 1    | GRILL LIGHT HOUSING LH                      |
| 5     | E9105393    | 1    | 30`` FRONT HOUSING TOP                      |
| 6     | 000603-000  | 1    | GRILL LIGHT HOUSING RH                      |
| 7     | PB040124    | 1    | 90 DEG. ORIFICE FITTING                     |
| 8     | PB020096    | 1    | 48 5/16 S.S. FLEX TUBING REPL F2003505      |
| 9     | G3005289    | 1    | BURNER,ASM,,ASM,IR,20                       |
| 10    | B2005347    | 1    | INFRARED FRAME                              |
| 11    | G91015522   | 1    | FRONT HOUSING ASSY (VGIQ3002RT)             |
| 12    | PB010162    | 1    | THERMOCOUPLE - BBQ GRILL W/ ROTIS           |
| 13    | PB040160    | 1    | WOK IGNITER                                 |
| 14    | PD030048    | 1    | THERMOCOUPLE NUT M08-VGBQ-8743300007        |
| 15    | B20015402   | 1    | I/R IGNITOR COVER LH                        |
| 16    | B20015403   | 1    | IR IGNITOR BRACKET                          |
| 17    | B20015401   | 1    | FLEXIBLE IGNITOR STANDOFF                   |
| 18    | PB040280    | 1    | FLEXIBLE ROTISSERIE IGNITOR                 |



| Ref # | Part Number | Qty. | Description   |
|-------|-------------|------|---|
| 1     | 002081-000  | 1    | ROT MOTOR MOUNTING PLATE ASSY                                     |
| 2     | PE070184    | 1    | ROTISSERIE MOTOR  |
| 3     | 020051-000  | 6    | SCR, DR, PHLP,PNH, 410SS, NPLT, 10-16 X 1/2                       |
| 4     | B2005285    | 1    | PHASE II ROTIS BOX FRONT  |
| 5     | B2005286    | 1    | PHASE II ROTIS COVER  |
| 6     | PE050051    | 1    | ROTISSERIE SWITCH   |
| 7     | PE070189    | 1    | ELECTRICAL SUPPLY CORD - BBQ GRILL                                |
| 8     | PD040044    | 1    | SNAP THRU BUSHING 1/4DIA CORD                                     |
| 9     | B2005284    | 1    | PHASE II ROTIS BOX FRONT  |
| 10    | PD020056    | 4    | NO.10-24 X 1/2 PH.TR. M.S. SS                                     |
| 11    | PD010090    | 2    | ROTISSERIE FASTENER KNOB  |
| NI    | G3205282    | 1    | ROTISSERIE MOTOR ASSEMBLY (PHASE 2)<br>(INCLUDES ITEMS 1 THRU 11) |



| Ref # | Part Number | Qty. | Description                                 |
|-------|-------------|------|---|
| 1     | 034607-000  | 2    | FASTENER, BOLT, 5/16 - 1-1/2                |
| 2     | G5005257    | 1    | OUTSIDE WINDSHIELD ASSY LH                  |
| 3     | B20015419   | 1    | INSIDE WINDSHIELD LH                        |
| 4     | 020051-000  | 26   | SCR, DR, PHLP,PNH, 410SS, NPLT, 10-16 X 1/2 |
| 5     | PB060113    | 1    | WARMING RACK SUPPORT LH                     |
| 6     | B2005278    | 1    | ROTISSERIE ROLLER BRACKET (PHASE 2)         |
| 7     | PC020025    | 2    | DRIP TRAY WHEEL                             |
| 8     | 003652-000  | 1    | 30 GRILL REAR COVER                         |
| 9     | PB060057    | 1    | WARMING RACK 30                             |
| 10    | PB060112    | 1    | WARMING RACK SUPPORT RH                     |
| 11    | B20015418   | 1    | INSIDE WINDSHIELD RH                        |
| 12    | G5005256    | 1    | OUTSIDE WINDSHIELD ASSY RH                  |
| 13    | PD030044    | 7    | 10-24 KEPS NUT SS                           |
| 14    | PD020056    | 7    | NO.10-24 X 1/2 PH.TR. M.S. SS               |
| 15    | 007818-000  | 1    | RETAINER, CANOPY SPRING                     |
| 16    | 007206-000  | 1    | CANOPY, SPRING, ASSIST- LIGHT               |
| 17    | 006779-000  | 4    | NO.6-32 X 1.0 SS FLAT HD SCREW              |
| 18    | PB060055    | 1    | ROTISSERIE MOUNT CASTING                    |
| 19    | PC070024    | 1    | ROTIS. GEAR BOX ASSY                        |
| 20    | B20015574   | 2    | GRILL WINDSHIELD TRIM                       |
| 21    | PB060058    | 2    | SPIT FORK                                   |
| 22    | PB060054    | 1    | ROTIS SPIT ROD 30                           |
| 23    | PD020082    | 2    | 10 X 24 COUNTERSUNK S.S. SCREW              |
| 24    | 020037-000  | 4    | SCR, DR, FCSKHP, 410 SS, NPLT, 8-18 X 3/4   |
| 25    | 005942-000  | 2    | SPRING INDEX                                |



*No Image  
Available*

| Ref # | Part Number | Qty. | Description         |
|-------|-------------|------|---------------------|
| NI    | 026343-000  | 1    | HARN, MAIN, 3002RE2 |

*No Image  
Available*

| Ref # | Part Number | Qty. | Description     |
|-------|-------------|------|-----------------|
| NI    | G40016229   | 1    | IGNITOR WIRE 34 |

*No Image  
Available*

| Ref # | Part Number | Qty. | Description               |
|-------|-------------|------|---------------------------|
| NI    | 025323-000  | 1    | HARNESS, WIRE, ROTISSERIE |

*No Image  
Available*

| Ref # | Part Number | Qty. | Description    |
|-------|-------------|------|----------------|
| NI    | 006017-000  | 1    | LED WIRE 4.875 |



*No Image  
Available*

| Ref # | Part Number | Qty. | Description    |
|-------|-------------|------|----------------|
| NI    | 006105-000  | 1    | LED WIRE 11.50 |

*No Image  
Available*

| Ref # | Part Number | Qty. | Description    |
|-------|-------------|------|----------------|
| NI    | 006019-000  | 1    | LED WIRE 10.75 |

*No Image  
Available*

| Ref # | Part Number | Qty. | Description           |
|-------|-------------|------|-----------------------|
| NI    | 006384-000  | 1    | 30 & 41 WIRE ASSEMBLY |

*No Image  
Available*

| Ref # | Part Number | Qty. | Description               |
|-------|-------------|------|---------------------------|
| NI    | G50013595   | 1    | LP CONNECTION SERVICE KIT |