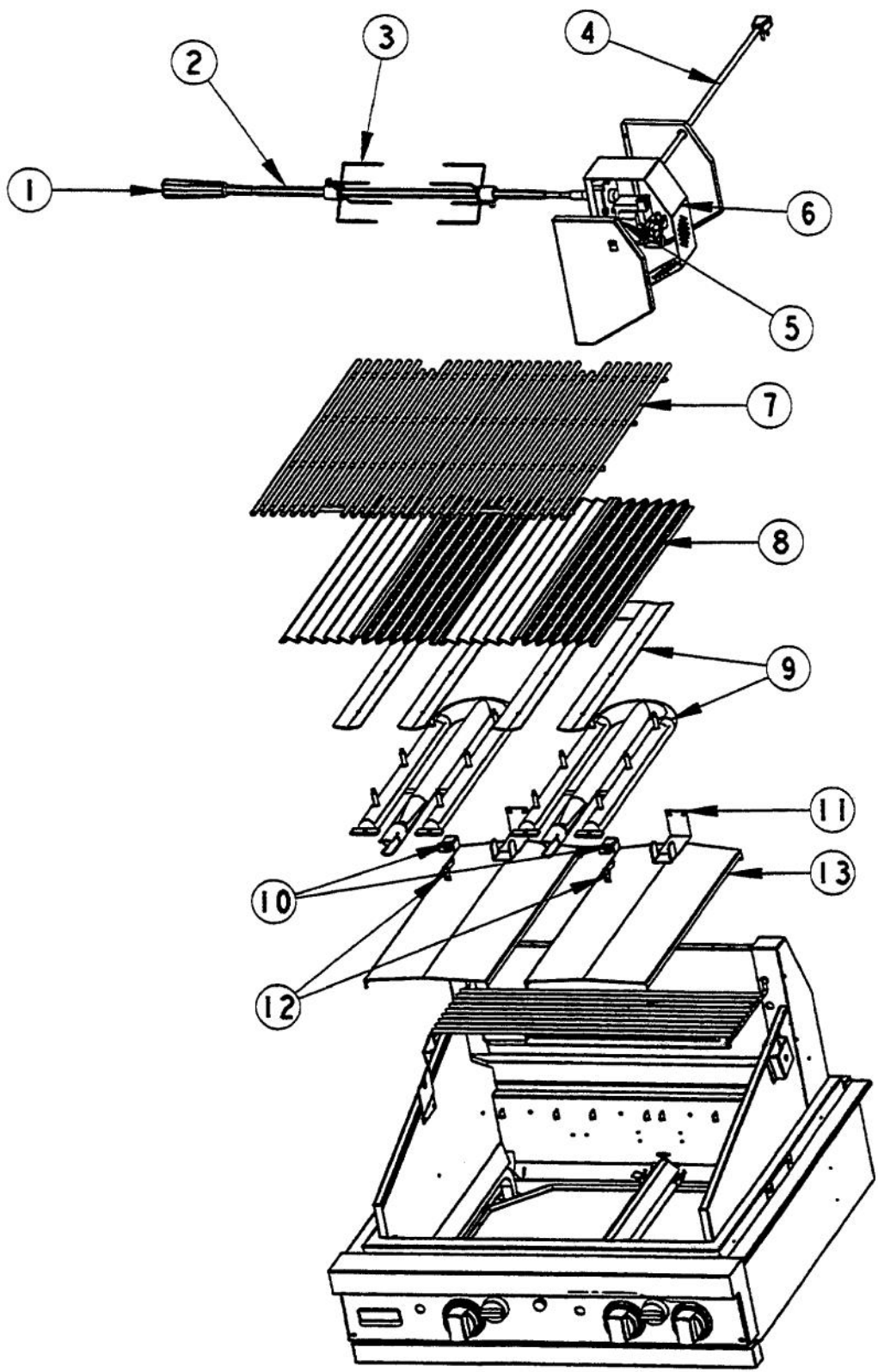
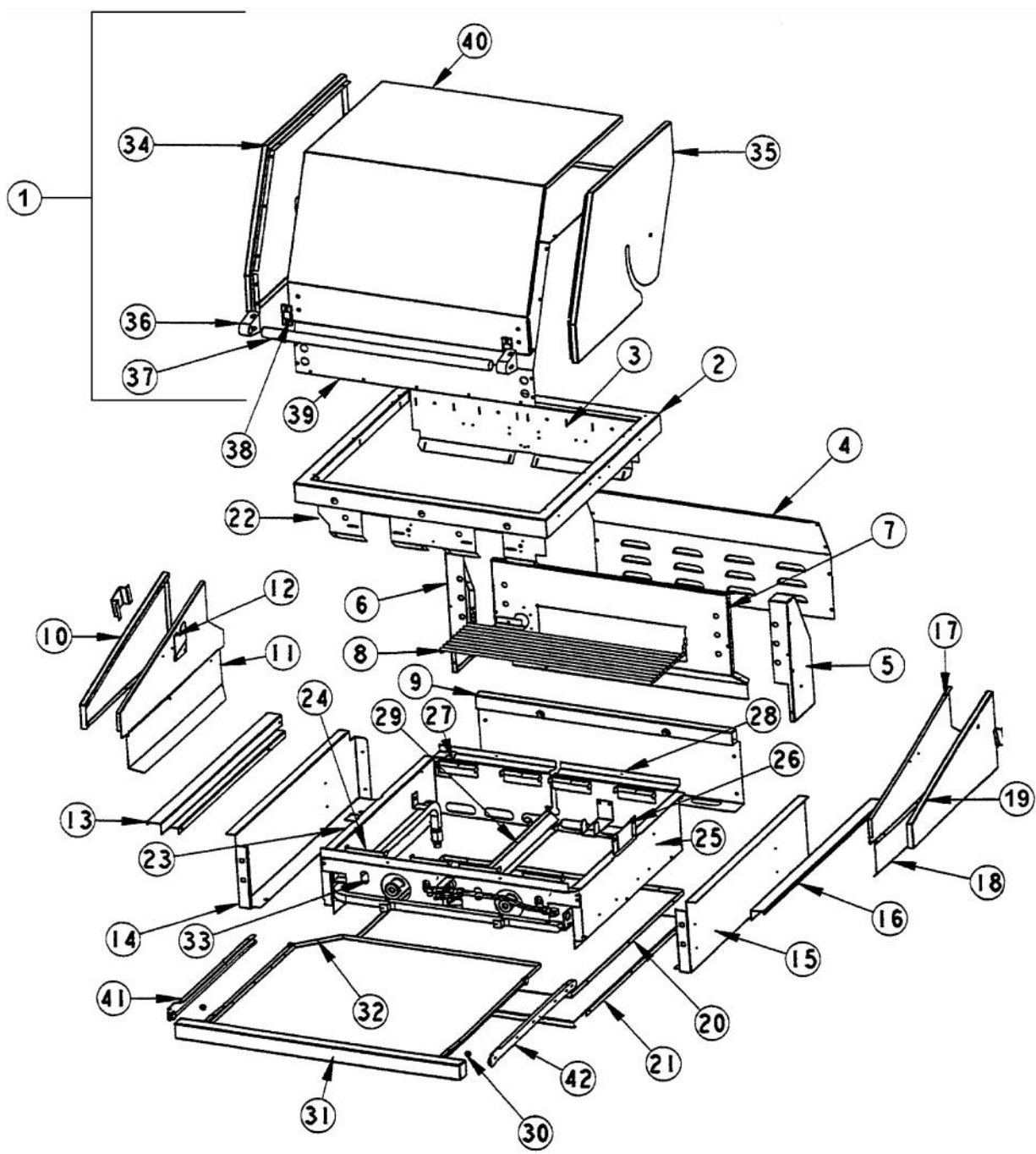


*No Image
Available*

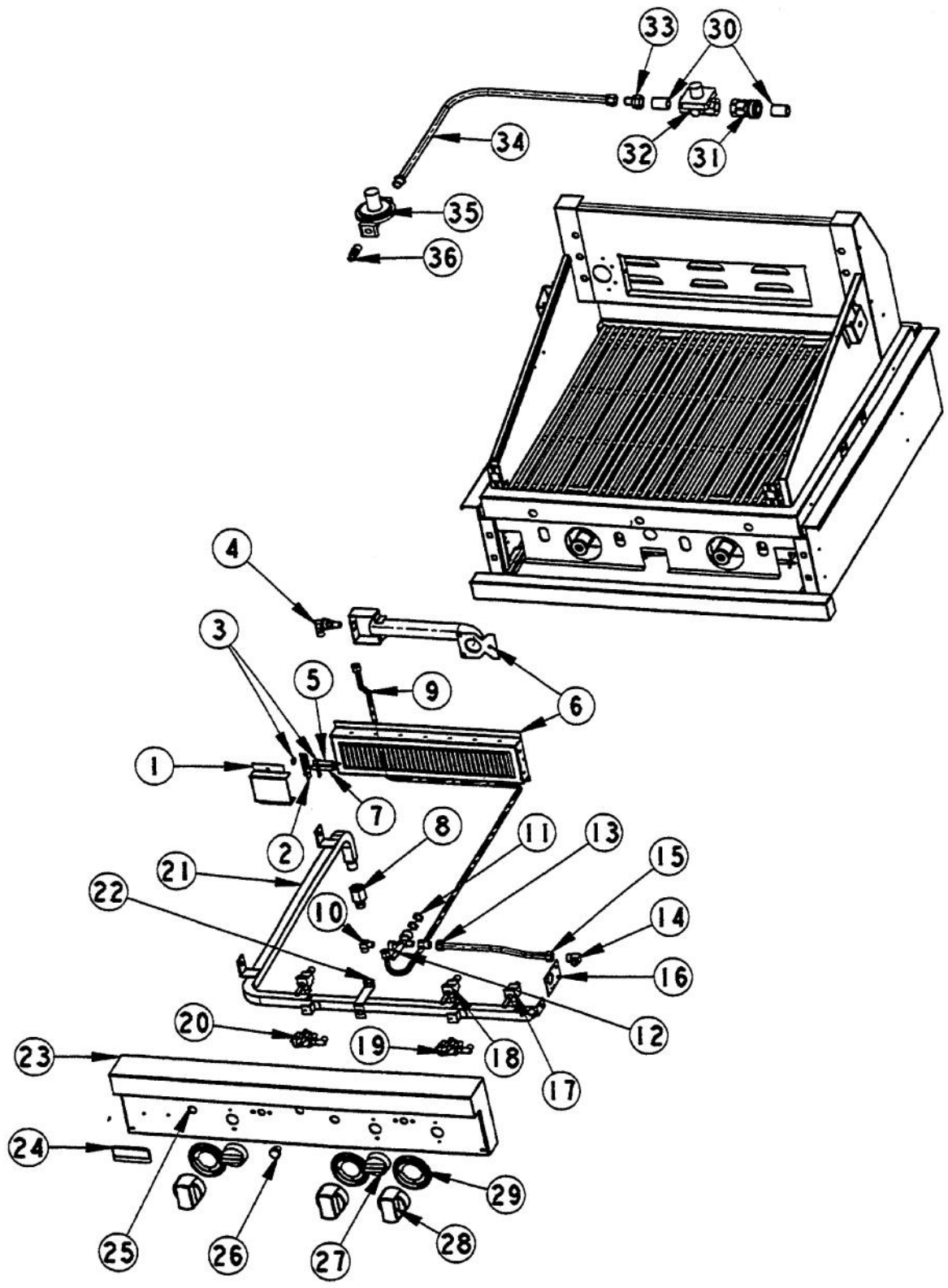
Ref #	Part Number	Qty.	Description
1	G5004577		SSX GRILL BURNER ASSY
2	G3204910		ROTIS MOTOR REPL G3203346
3	PB040169		IGNITOR FOR (BBQ) GRILL S (1783-25)
4	PA010078		GRILL VALVE - L.P.
5	PA010077		GRILL VALVE (NAT.)
6	G3103323		IR ASSY - 30 BBQ GRILL
7	PB040122		IGNITOR FOR (BBQ GRILL) (1647-89)
8	PB010158		SAFETY VALVE -(IR) (BBQ GRILL)
9	PB010162		THERMOCOUPLE - BBQ GRILL W/ ROTIS
10	PA010030		GRILL VALVE-(VGRT)
11	PA020023		DUAL OUTPUT IGNITION SWITCH-(VGBQ) 1691-04
12	PA020022		SINGLE OUTPUT IGNITION SWITCH-(VGBQ) (1691.06)
13	G3004937		REGULATOR ASSY - L.P. W/HOSE
14	G3004936		REGULATOR ASSY - NAT (P1 GRILL)
15	PE070184		ROTISSERIE MOTOR



Ref #	Part Number	Qty.	Description
1	PE030039		SPIT HANDLE (ROT. BBQ GRILL)
2	PB060033		SPIT ROD ROTIS 30 BBQ GRILL
3	PB060058		SPIT FORK
4	PE070189		ELECTRICAL SUPPLY CORD - BBQ GRILL
5	PE070184		ROTISSERIE MOTOR
6	G3204910		ROTIS MOTOR REPL G3203346
7	PB060049		COOKING GRIDS REPL PB060028
8	PK010143		FLAVOR GRIDS
9	G5004577		SSX GRILL BURNER ASSY
10	B2003273		IGNITOR COVERS (VGBQ)
11	B2004922		REAR BURNER BRACKET (P1 GRILL)
12	PB040169		IGNITOR FOR (BBQ) GRILL S (1783-25)
13	B2003270		BURNER DRIP SHIELD (VGBQ)
No.	PD020055		NO.10 X 1/2 PAN PHIL. TEK. SS
No.	PD030050		10-24 CAGE NUT SS
No.	PD020062		NO.8-32 X 3/8 PHMS TYPE 1



Ref #	Part Number	Qty.	Description
1	G3204933FG		CANOPY ASSY 30/41 (P1 GRILL) XFGX
	G3204933FGBR		CANOPY ASSY 30/41 (P1 GRILL)XFGXBRX
	G3204933GG		CANOPY ASSY 30/41 (P1 GRILL) XGGX
	G3204933GGBR		CANOPY ASSY 30/41 (P1 GRILL)XGGXBRX
	G3204933SS		CANOPY ASSY 30M(P1 GRILL)
	G3204933SSBR		CANOPY ASSY 30/41 (P1 GRILL)XSSXBRX
	G3204933VB		CANOPY ASSY 30/41 (P1 GRILL) XVBX
	G3204933VBBR		CANOPY ASSY 30/41 (P1 GRILL)XVBXBRX
2	B2004232		30 GRILL FRAME
3	B2004906		REAR SHIELD - 30 (P1 GRILL)
4	B2003214		REAR COVER BBQ GRILL 30
5	B2003220		CTRL PAN BBQ GRILL 30
6	B2003221		DRIP TRAY HANDLE BBQ GRILL 30
7	G9103212		IR HOUSING ASSY - 30 BBQ GRILL
	E9103213		IR HOUSING(NO ROTIS.)30 BBQ GRILL
8	PB060032		WARMING RACK
9	B2004929		REAR PANEL - 30 (P1 GRILL)
10	G3003303		O/S WINDSHIELD LH-BBQ GRILL
11	B2004958		INSIDE WINDSHIELD LH
12	B2003307		ROTIS SADDLE - BBQ GRILL
13	B2004926		GRILL SIDE TRIM - LH (P1 GRILL)
14	B2003242		SIDE PANEL LH BBQ GRILL 48
15	B2003241		SIDE PANEL RH BBQ GRILL 48
16	B2004925		GRILL SIDE TRIM - RH (P1 GRILL)
17	B2004957		INSIDE WINDSHIELD RH
18	B2004955		SIDE SHIELD R/H & L/H
19	G3003302		O/S WINDSHIELD RH-BBQ GRILL
20	B2003201		BTM INSUL SHIELD BBQ GRILL 30
21	B2003200		BURNER BOX BTM BBQ GRILL 30
22	B2004903		FRONT SHIELD (P1 GRILL)
23	B2004908		BURNER BOX SIDE LH (P1 GRILL)
24	B2003203		FRONT SUPT BBQ GRILL 30
25	B2004907		BURNER BOX SIDE RH (P1 GRILL)
26	B2003306		ROTIS MOUNTING BRKT-BBQ
27	B2004924		REAR FLAVOR GRID SUPPORT (P1 GRILL)
28	B2003202		REAR SUPT BBQ GRILL 30
29	B2003791		CENTER SHIELD (VGBQ)
30	PD040004		GROMMET BUMPER
31	B3003221		DRIP TRAY HANDLE - BBQ GRILL
No.	PD020078		NO.10-24 X 1/2 PH.TR. M.S.XSSX NYLOK
32	G3103287		DRIP TRAY ASY 30 BBQ
33	B2004902		FORNT SHIELD-30 W/SMOKER(P1 GRILL)
34	B2004919		CANOPY END LH (P1 GRILL)
35	B2004918		CANOPY END RH (P1 GRILL)
36	PE030001		BRACKET, DOOR, HANDLE
	PE030001PVD		END CAP DOOR HANDLE XBR
37	PE030041		DOOR HANDLE (CANOPY) XSSX (VGBQ30)
	PE030045PVD		CANOPY HANDLE (30) PVD
No.	PD020069		CAP SCREW 1/4-20 X 3/4 SS
38	PD040010		DOOR HANDLE SPACER
39	B2004935		CANOPY HEAT SHIELD 30/41 (P1 GRILL)
40	B2004931		CANOPY 30/41 (P1 GRILL)
	B9004931FG		CANOPY BODY XFGX VGBQ3002S/4122S
	B9004931GG		CANOPY BODY XGGX VGBQ3002S/4122S
	B9004931VB		CANOPY BODY XVBX VGBQ3002S/4122S
41	PK000007		DRIP TRAY GUIDE - LH (VGRT)
42	PK000008		DRIP TRAY GUIDE - RH
No.	PC040014		POP RIVOT-SS42 SS



Ref #	Part Number	Qty.	Description
1	B2003319		THERMOCOUPLE / IGN. COVER-BBQ GRILL
2	B2003318		THERMOCOUPLE / IGN. BKT. -BBQ GRILL
3	PD030048		THERMOCOUPLE NUT M08-VGBQ-8743300007
4	PB040144		ORIFICE BURNER 90D 15IR NO.52 HD RED
No.	PB040063		ORIFICE HOOD-NO.52 9701B1652
No.	PB040145		LP IR ELBOW VGBQ NO.62 HD BLACK
No.	PB040084		ORIFICE HOOD-NO.62 9701B1662
5	PB010162		THERMOCOUPLE - BBQ GRILL W/ ROTIS
6	G3103323		IR ASSY - 30 BBQ GRILL
7	PB040122		IGNITOR FOR (BBQ GRILL) (1647-89)
No.	G4004963		WIRING IR BURNER BBQ60
8	PB040167		MALE COUPLER (PHASE 1 GRILL)
9	PB020096		48 5/16 S.S. FLEX TUBING REPL F2003505
10	PB040129		FTG.-ELBOW, 1/8NPT-5/16C.C.
11	PD030049		SAFTY VALVE NUT M12-VGBQ-8743300010
12	PB010158		SAFETY VALVE -(IR) (BBQ GRILL)
13	PB040123		1/8 NPT FEMALE TO 3/8 CC COUPLING
14	PB040150		3/8 CC TO 3/8 - 27 ELBOW
15	PB020090		VALVE TO SAFETY TUBING 30(P1 GRILL)
16	B1001138		MANIFOLD BRKT XSSX (VGBQ)
17	PA010030		GRILL VALVE-(VGRT)
18	PA010077		GRILL VALVE (NAT.)
	PA010078		GRILL VALVE - L.P.
19	PA020023		DUAL OUTPUT IGNITION SWITCH-(VGBQ) 1691-04
20	PA020022		SINGLE OUTPUT IGNITION SWITCH-(VGBQ) (1691.06)
21	PA050061		UNIVERSAL MANIFOLD 30
22	B2003261		VALVE BRKT - BBQ GRILL W/ ROTIS.
23	G3003205		LANDING LEDGE ASSY - 30 BBQ GRILL
24	PE010142		3 LOGO XBKXXCHROME
	PE010143		3 LOGO BK/BR
No.	PD030006		CAPPED WASHER PAL NUT
25	B9203288		CTRL PAN (VGBQ3002R) XSLK SCRX
	B9203220		CTRL PAN (VGBQ3002) XSLK SCRX
26	PB010159		SAFETY VALVE KNOB
27	PB010156		IGNITION SWITCH KNOB (BBQ GRILL) 1390-16
28	PA010039		TOP GRILL KNOBKBX (VGRC) (N/STYLE
29	PB010208		BEZEL, CHROME PLATE
	PB010209		BEZEL BRASS
30	PB040046		1/2 CLOSE NIPPLE (VGSO166)
31	PB040166		FEMALE COUPLER (PHASE 1 GRILL)
32	PA070006		PRESSURE REGULATOR - NATURAL
	PA070005		PRESSURE REG.(LP) RV47L-77-10.0
33	PB040146		1/2 X 3/8 FLARE ADAPTER (VGBQ)
34	PB020227		HIGH PRESSURE LP HOSE
35	PA070007		LP TANK REGULATOR (VGBQ)
No.	G3004936		REGULATOR ASSY - NAT (P1 GRILL) (Includes Items 31-33)
No.	G3004937		REGULATOR ASSY - L.P. W/HOSE INCLUDES ITEMS 31-35
No.	G5004200		LIGHTING WAND ASSY (VGBQ)
No.	PB080002		BROILER PAN
No.	PB080003		BROILER PAN TRAY (KRA2)
No.	PE070233		GRILL IGNITER WIRE
No.	G4004963		WIRING IR BURNER BBQ60