

This Owner's Manual is provided and hosted by [Appliance Factory Parts](#).

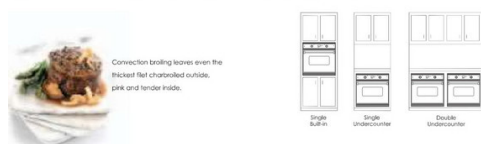


VIKING VESO165C Owner's Manual

[Shop genuine replacement parts for VIKING VESO165C](#)

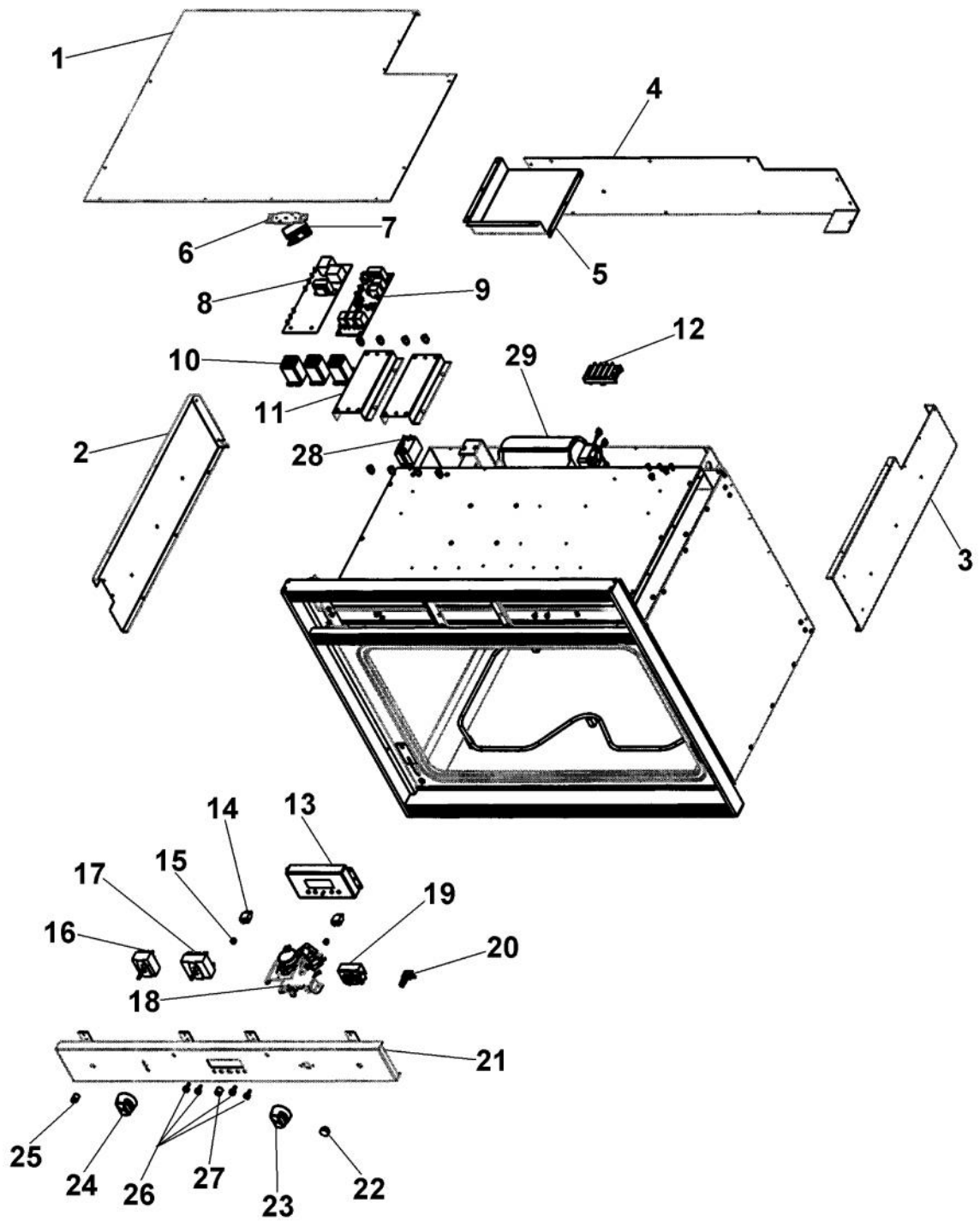


VESO165C - Electric 36" wide single oven in Stainless Steel

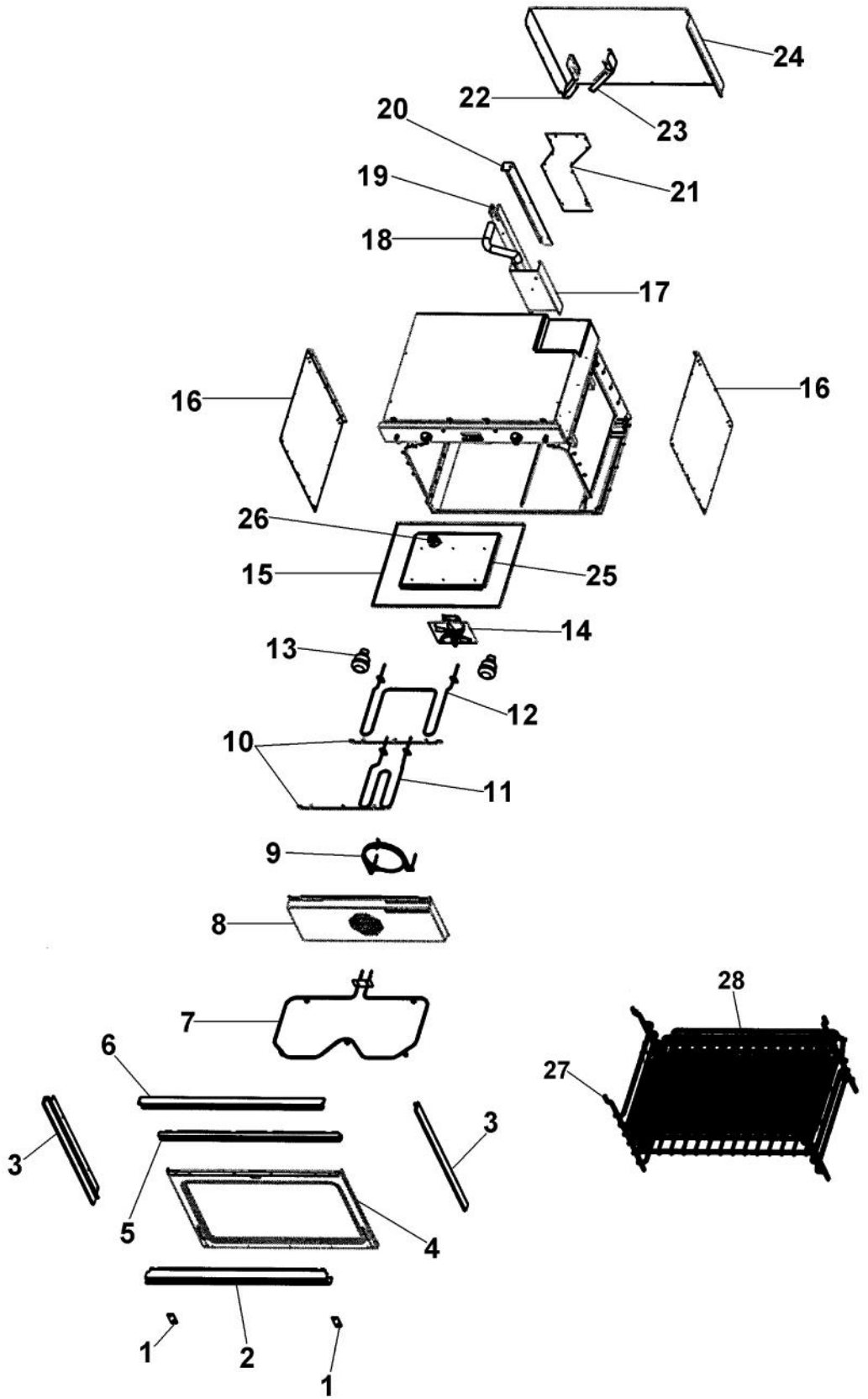


[Find Your VIKING Oven Parts - Select From 98 Models](#)

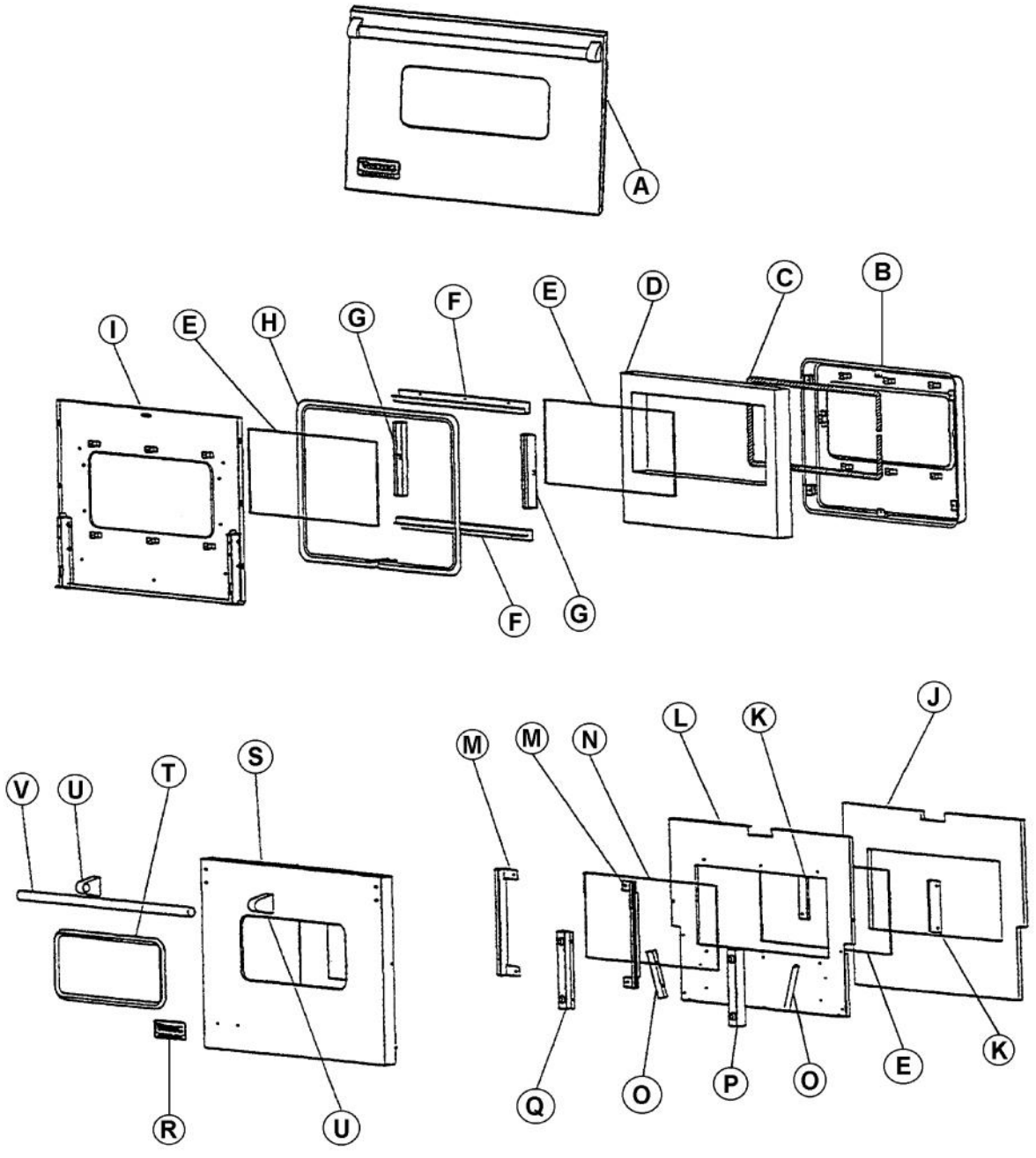
----- Manual continues below -----



Ref #	Part Number	Qty.	Description
1	A2008508		CABINET TOP 36
2	A2007699		CABINET SIDE LH
3	A2007906		30" SINGLE CAB. SIDE RH
4	A2008518		TOP REAR COVER 36
5	A2008543		TOP CHANNEL
6	A1002456		THERMO-DISC BRKT (VDSC)
7	PJ030002		AUTO RESET (SELF-CLEAN) VDSC
8	PE070308		PRE-HEAT BOARD (NOT USED ON THIS UNIT)
9	PE070472	1	ELECTRONIC CONTROL BOARD
10	PM010029		RELAY (DOUBLE POLE-DOUBLE THROW)TEM (NOT USED ON THIS UNIT)
11	A2009884	1	AUTO RESET BRACKET (ONLY 1 USED ON UNIT)
12	PE070147		TERMINAL BLOCK
13	PE050049		CLOCK/TIMER(ROBERTSHAWNO.100-00550-01 (BEFORE 02/27/06)
	PE050213		PRO 120V DIGITAL CLOCK (AFTER 02/27/06)
14	PE050024		OVEN IND. LIGHT (LIGHT HOUSING)
15	PE050023		OVEN IND. LIGHT (LENS & BEZEL)
16	PJ030011		SWITCH (2-POSITION) VESO105
17	PJ030001		SELECTOR SWITCH (8-POSITION) VDSC
18	PE050112		DOOR LATCH
19	PJ030037		SUB TO PS500033 - SELF CLEAN THERMOSTAT
20	PE050019		OVEN LIGHT SWITCH (VGSO166) 90-DEG.
21	B92010570		SINGLE CONTROL PANEL 36 (BEFORE 02/27/06)
	C92010570BK		SINGLE CONTROL PANEL 36 XBKX (BEFORE 02/27/06)
	C92010570WH		SINGLE CONTROL PANEL 36 XWHX (BEFORE 02/27/06)
	B92014947		VESO165C CONTROL PANEL (AFTER 02/27/06)
	C92014947BK		CONTROL PANEL - BK (AFTER 02/27/06)
	C92014947WH		CONTROL PANEL - WH (AFTER 02/27/06)
22	PB010163		OVEN LIGHT SWITCH KNOB BK
	PB010164		OVEN LIGHT SWITCH KNOB XWHX (VESO/D
23	PB010150		T/STAT KNOB-XBKX (30 B-IN OVEN)
	PB010151		T/STAT KNOB-XWHX (30 B-IN OVEN)
24	PB010148		SELECTOR KNOB-XBKX (30DOUBLE OVEN)
	PB010149		SELECTOR KNOB-XWHX (30 B-IN OVEN)
25	PB010165		TIME MANUAL KNOB XBKX (VESO/VEDO)
	PB010166		TIME MANUAL KNOB XWHX (VESO/VEDO)
26	PB010248		CLOCK BUTTTON
	PB010249		PUSH BUTTON WHITE
27	PB010246		CLOCK KNOB
	PB010247		KNOB WHITE
28	PM010129		RELAY
29	PE050087		BLOWER ASSEMBLY - DESIGNER SERIES
NI	PE050059		HI-LIMIT SWITCH

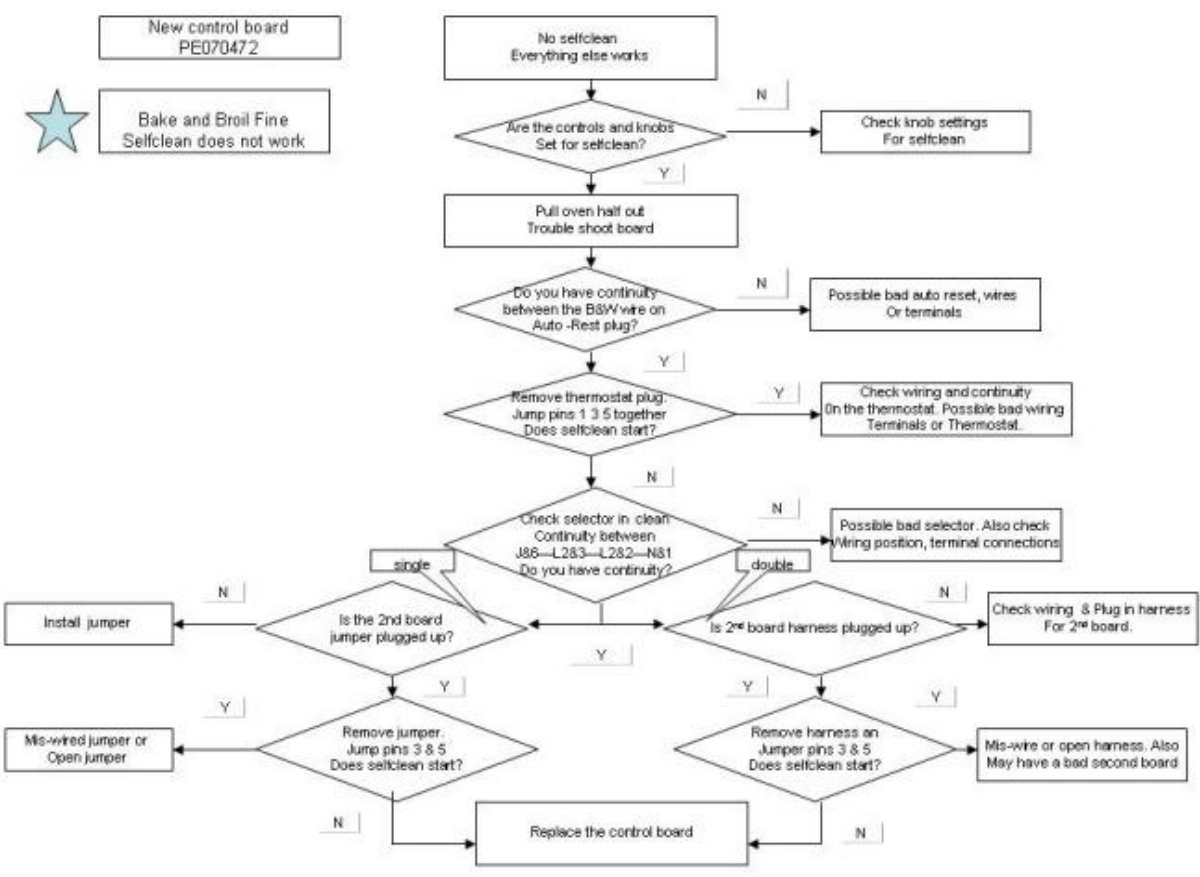


Ref #	Part Number	Qty.	Description
1	B1007234		HINGE TRIM REPL B2102963 2 EA
2	PE040190		BOTTOM EXTRUSION
3	PE040071		SIDE TRIM-EXTRUDED (VESO105)
4	G9108522		UPPER FRONT FRAME ASSY 36
5	PE040193		LOWER CONTROL PANEL EXTRUSION
6	PE040192		TOP EXTRUSION
7	PJ010006		BAKE ELEMENT (VDSC-36) 240V
8	G9102750		CONVECTION FAN COVER ASSY (VDSC36)
9	PJ010003		CONVECTION ELEMENT (VDSC) 240V
10	B2002185		BROIL ELEMENT BRKT (VDSC)
11	PJ010001		BROIL ELEMENT 240V
12	PJ010002		BROIL ELEMENT(MAXI)-SIDE (VDSC)240V
13	PE050009		OVEN LIGHT SOCKET - 36 BUILT-IN
14	PE050005		CONVECTION FAN ASSY
15	E9102171		OVEN TOP LINER 36 (VDSC)
16	A2002904		SIDE INSULATION RETAINER
17	A2006326		LOWER AIR VENT SINGLE
18	PB020175		VENT TUBE
19	A2006188		SINGLE OVEN FLUE
20	A2006189		SINGLE OVEN FLUE COVER
21	A1006190		SINGLE OVEN COVER PLATE
22	A2006324		VENT SIDE LH
23	A2006323		VENT SIDE RH
24	A2008511		CABINET BACK UPPER 36
25	B2002167		BROILER TOP (VDSC)
26	PM010014		SMOKE ELIMINATOR (VDSC)
27	PB060030		RACK SUPT REPL PB060010
28	PB060045		OVEN RK VDSC36 REPL PB060020
NI	PE050059		HI-LIMIT SWITCH
NI	PJ030006		SWITCH (COOLING FAN)

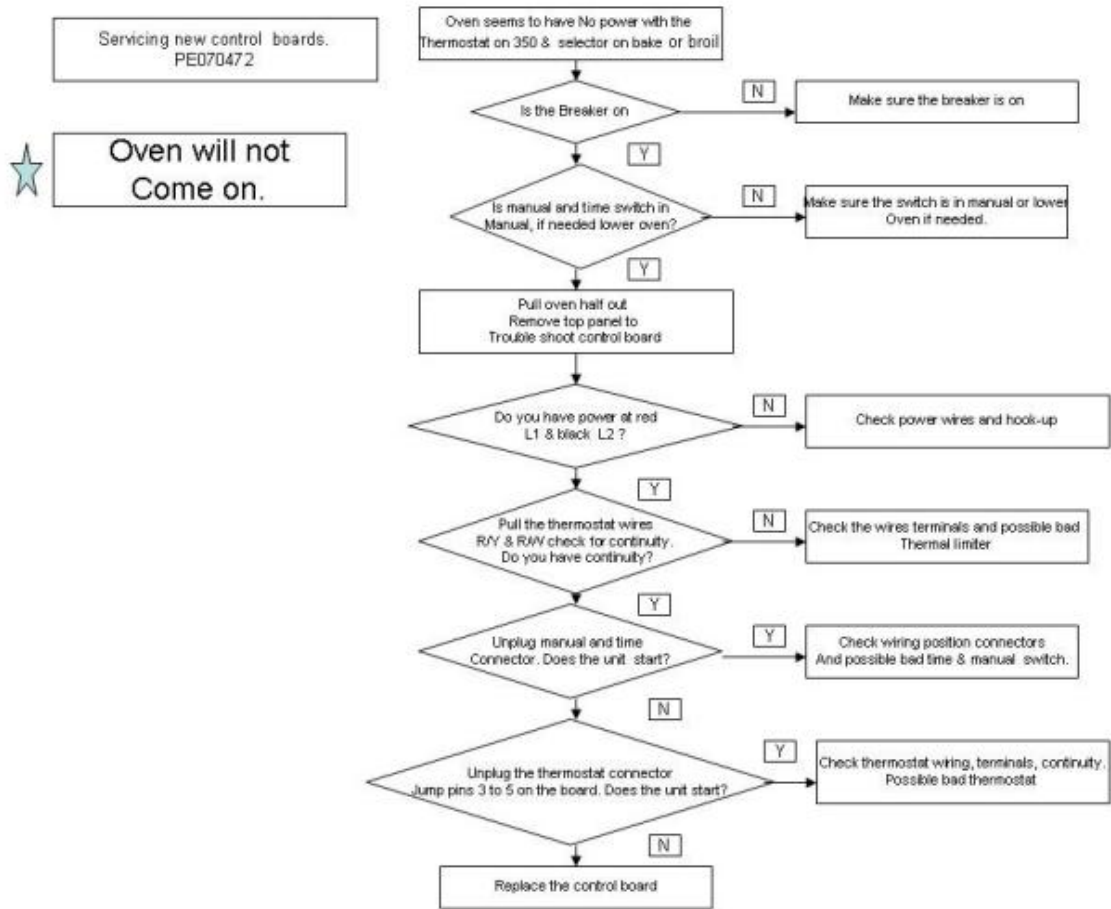


Ref #	Part Number	Qty.	Description
A	G3208500AL		36 DOOR ASSY SINGLE/LOWER
	G3208500ALBR		36 DOOR ASSY SINGLE/LOWER ALBR
	G3208500BK		36 DOOR ASSY SINGLE/LOWER XBKX
	G3208500BKBR		36 DOOR ASSY SINGLE/LOWER XBKBRX
	G3208500BT		36 DOOR ASSY SINGLE/LOWER XBTX
	G3208500BTBR		36 DOOR ASSY SINGLE/LOWER XBTBRX
	G3208500BU		36 DOOR ASSY SINGLE/LOWER XBUX
	G3208500BUBR		36 DOOR ASSY SINGLE/LOWER XBUBRX
	G3208500CB		36 DOOR ASSY SINGLE/LOWER XCBX
	G3208500CBBR		36 DOOR ASSY SINGLE/LOWER XCBBRX
	G3208500EP		36 DOOR ASSY SINGLE/LOWER XEPX
	G3208500EPBR		36 DOOR ASSY SINGLE/LOWER XEPBRX
	G3208500FG		36 DOOR ASSY SINGLE/LOWER XFGX
	G3208500FGBR		36 DOOR ASSY SINGLE/LOWER XFGBRX
	G3208500GG		36 DOOR ASSY SINGLE/LOWER XGGX
	G3208500GGBR		36 DOOR ASSY SINGLE/LOWER XGGBRX
	G3208500LE		36 DOOR ASSY SINGLE/LOWER XLEX
	G3208500LEBR		36 DOOR ASSY SINGLE/LOWER XLEBRX
	G3208500MJ		36 DOOR ASSY SINGLE/LOWER XMJX
	G3208500MJBR		36 DOOR ASSY SINGLE/LOWER XMJBRX
	G3208500SG		36 DOOR ASSY SINGLE/LOWER XSGX
	G3208500SGBR		36 DOOR ASSY SINGLE/LOWER XSGBRX
	G3208500SS		36 DOOR ASSY SINGLE/LOWER
	G3208500SSBR		36 DOOR ASSY SINGLE/LOWER
	G3208500VB		36 DOOR ASSY SINGLE/LOWER XVBX
	G3208500VBBR		36 DOOR ASSY SINGLE/LOWER XVBBRX
	G3208500WH		36 DOOR ASSY SINGLE/LOWER XWHX
	G3208500WHBR		36 DOOR ASSY SINGLE/LOWER XWHBRX
B	G9108531		DOOR PLUG 36 (VESO165/MEDO265)
C	PB070040		FIBERGLASS ROPE
D	PB070076		WOOL INSULATION 1 X 21 X 3'
E	PE060066		OUTER DOOR GLASS
F	E9108528		WINDOW LINER TOP/BOTTOM
G	E9108529		WINDOW LINER SIDE
H	PB070041		SUB TO 000623-000 - DOOR GASKET(3/8DIA.) (VDSC)
I	G9108501		DOOR LINER ASSY 36
J	PB070034		INSULATION-TRS-10 1 X 20 X 3'
K	A2002189		DOOR GLASS STANDOFF (VDSC)
L	A2008503		DOOR INSULATION RETAINER 36
M	A2008534		DOOR GLASS BRACKET
N	PE060065		OUTER DOOR GLASS
O	A2002497		DOOR GUIDE ANGLE VDSC
P	A2002498		HINGE POCKET COVER RH
Q	A2002499		HINGE POCKET COVER LH
R	J1002594		OVEN DR HEAT SINK (VDSC30)
S	B2008504		OUTTER DOOR PANEL
	C9008504AL		OUTER DOOR PANEL XALX
	C9008504BK		OUTISDE DOOR PANEL XBKX
	C9008504BT		OUTISDE DOOR PANEL XBTX
	C9008504BU		OUTISDE DOOR PANEL XBUX
	C9008504CB		OUTISDE DOOR PANEL XCBX
	C9008504EP		OUTISDE DOOR PANEL XEPX
	C9008504FG		OUTISDE DOOR PANEL XFGX
	C9008504GG		OUTISDE DOOR PANEL XGGX
	C9008504LE		OUTISDE DOOR PANEL XLEX
	C9008504LN		O/S DOOR PANEL - LN
	C9008504MJ		OUTISDE DOOR PANEL XMJX
	C9008504PL		DOOR SKIN - PL
	C9008504SG		OUTISDE DOOR PANEL XSGX
	C9008504VB		OUTISDE DOOR PANEL XVBX

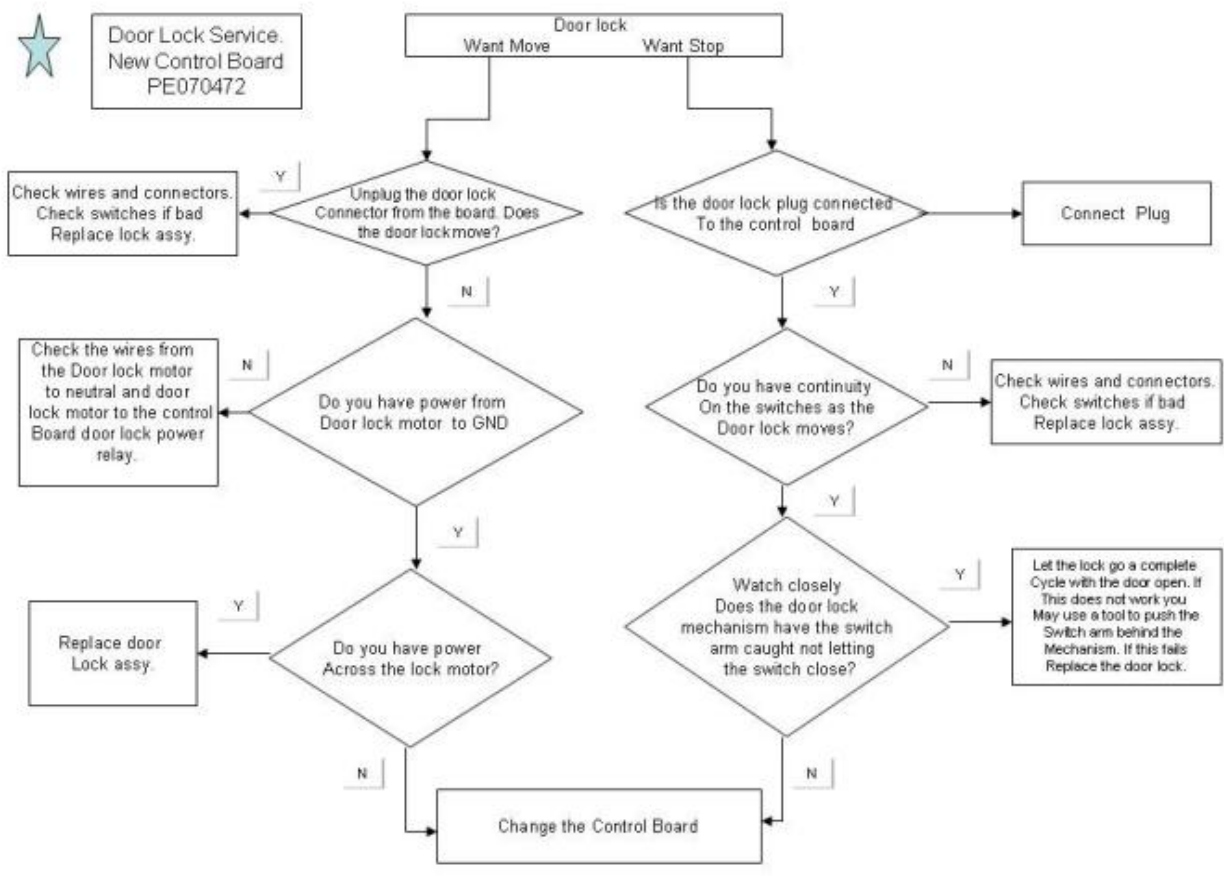
Ref #	Part Number	Qty.	Description
	C9008504VB		OUTISDE DOOR PANEL XVBX
	C9008504WH		OUTISDE DOOR PANEL XWHX
T	PE060067		J MOLD
	PE060068BR		J MOLD XBRASSX
U	PE030001		BRACKET, DOOR, HANDLE
	PE030001PVD		END CAP DOOR HANDLE XBR
V	PE030133		DOOR HANDLE 36 (VESO/VEDO)
	PE030133PVD		DOOR HANDLE 36 (VESO/VEDO) PVD
W	PE010016		NAMEPLATE, LOGO, PRO
	PE010017		LOGO (VGSO,VEDO,VGDO,VUD) XWH/CHR
	PE010079		4.5 LOGO/VIKING PROF, BK/BR
	PE010080		4.5 LOGO/VIKING PROF XWH/BR



Ref #	Part Number	Qty.	Description
-------	-------------	------	-------------



Ref #	Part Number	Qty.	Description
-------	-------------	------	-------------



Ref #	Part Number	Qty.	Description
-------	-------------	------	-------------
