

This Owner's Manual is provided and hosted by [Appliance Factory Parts](#).



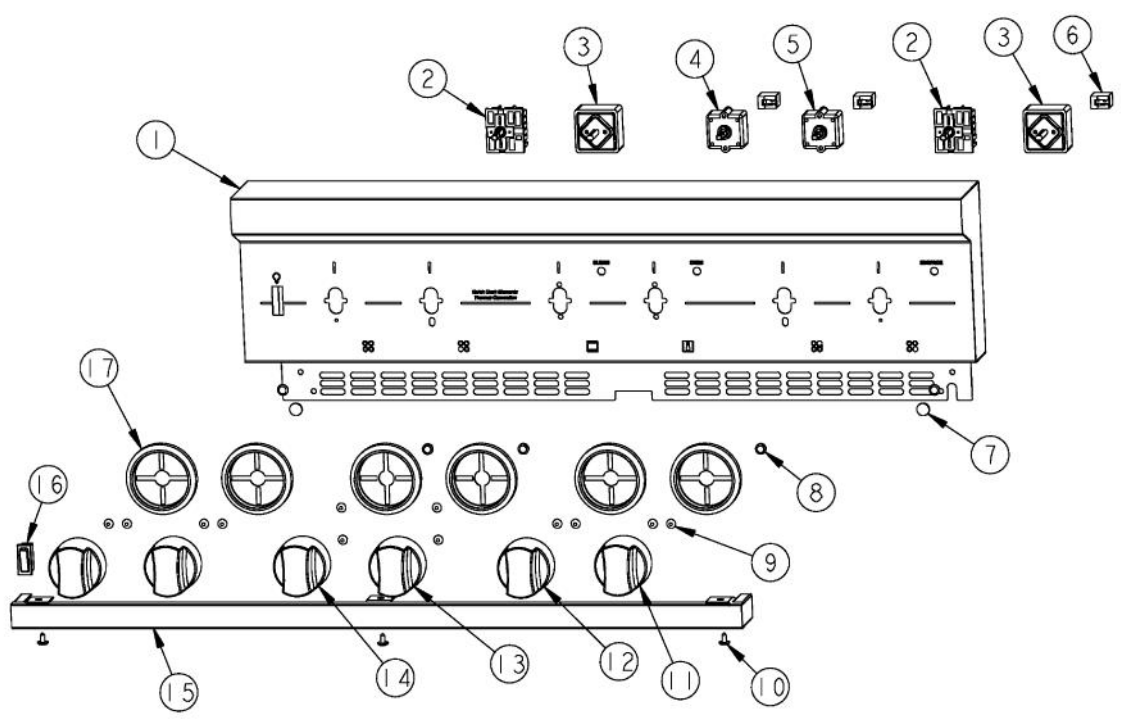
VIKING VESC530 Owner's Manual

[Shop genuine replacement parts for VIKING VESC530](#)

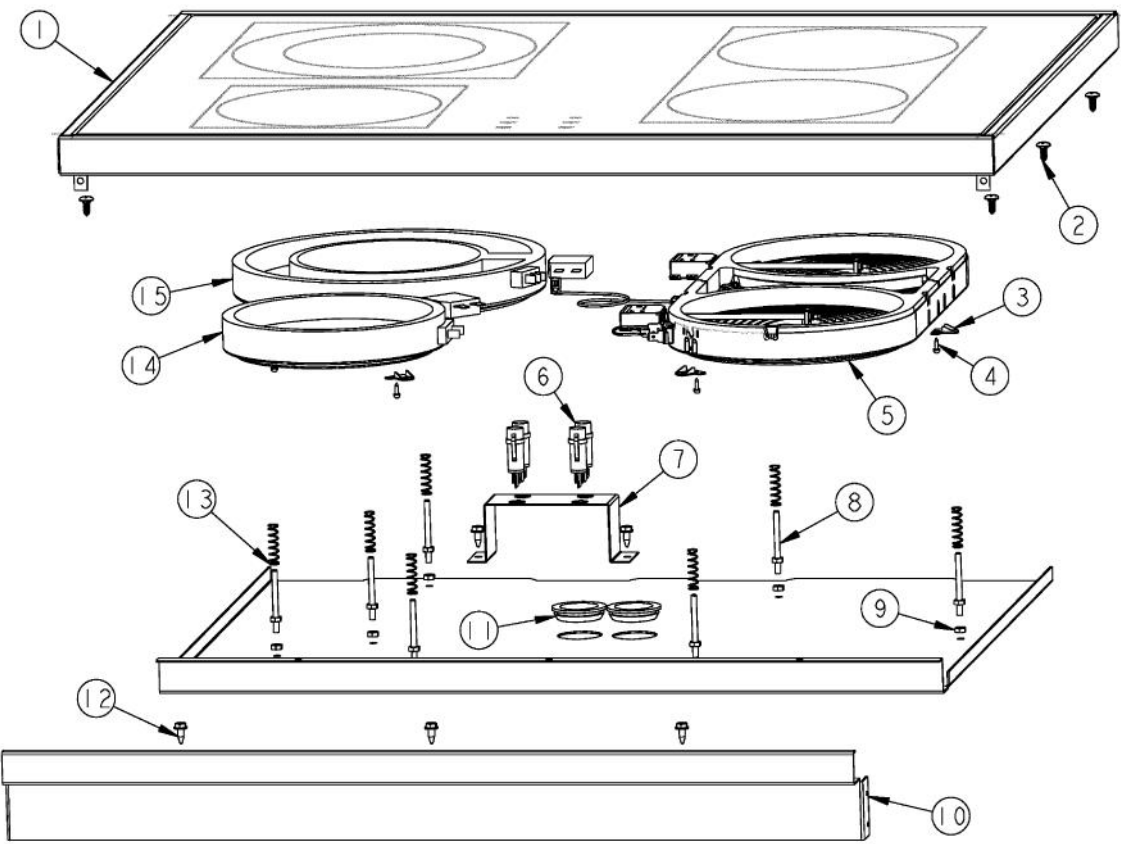


[Find Your VIKING Range Hoods Parts - Select From 411 Models](#)

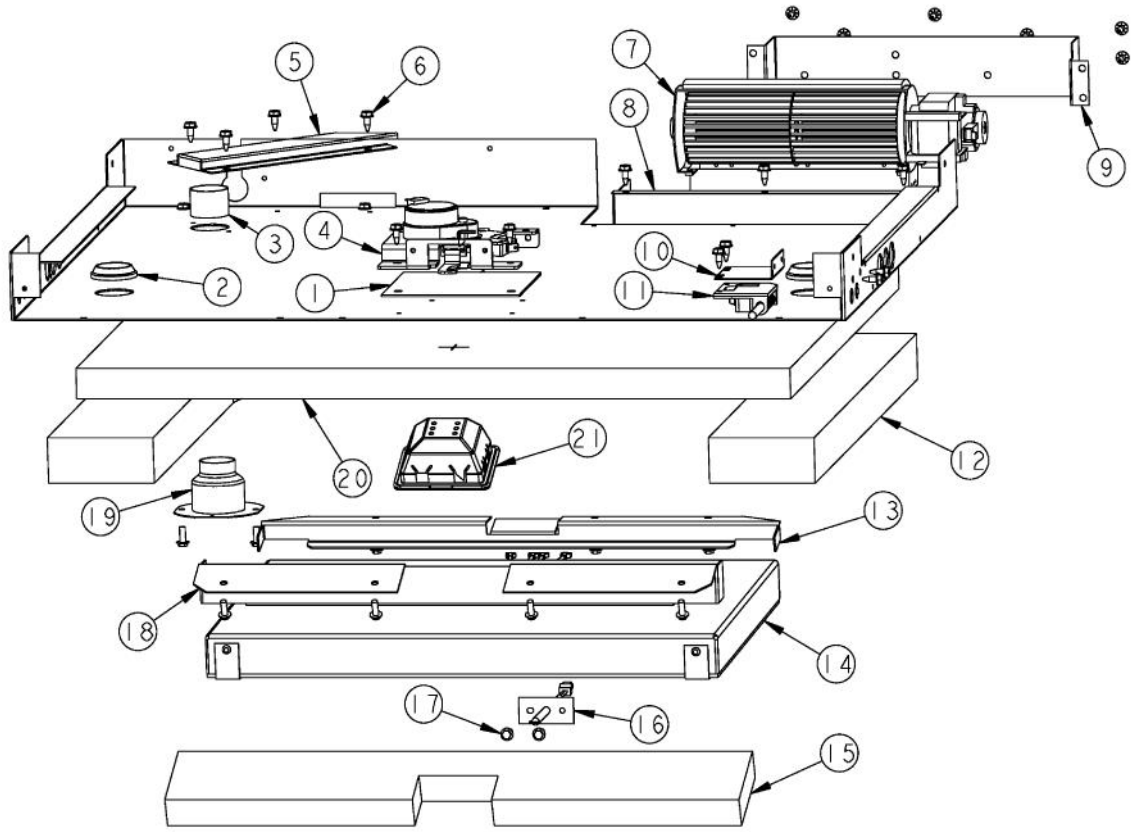
----- Manual continues below -----



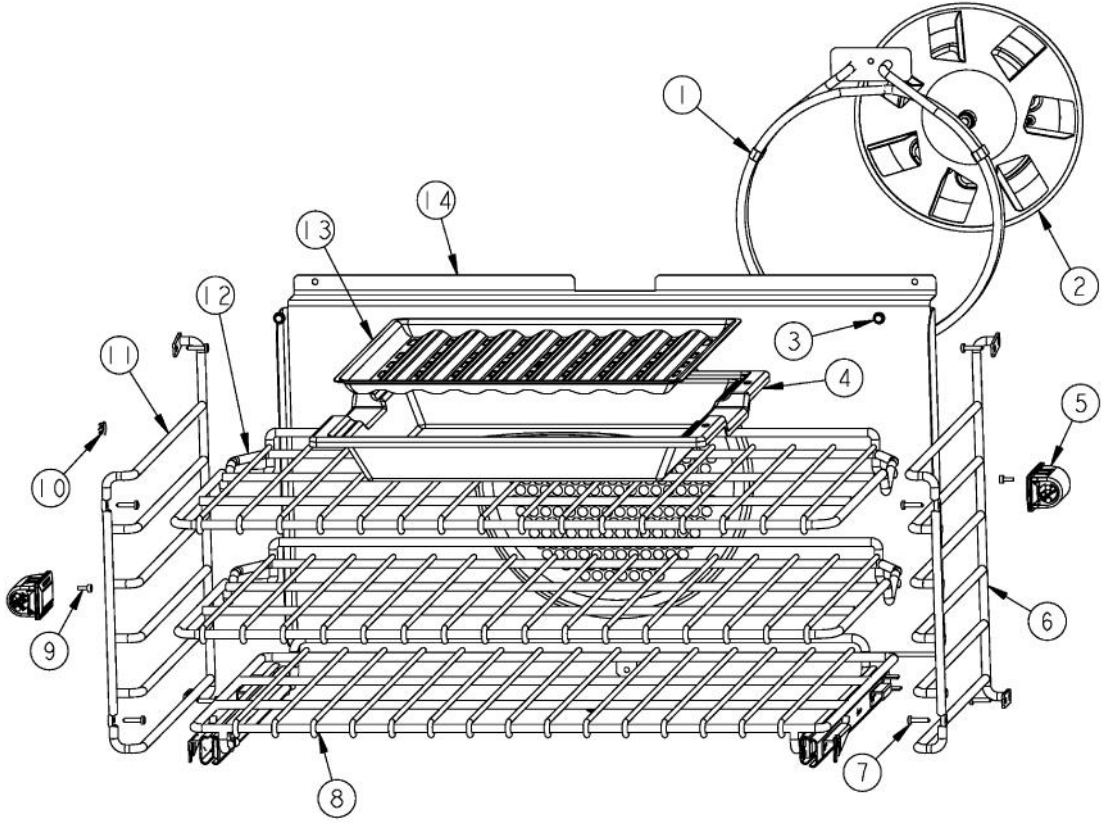
Ref #	Part Number	Qty.	Description
1	005273-000		CONTROL, PNL, ASM
2	005966-000		SWITCH, DUAL, INF
3	PJ030007		INFINITE SWITCH
4	PJ030033		SELECTOR (10 POS)
5	PJ030035		THERMOSTAT
6	PE050072		LENS OPENING (250 VOLT) BEFORE 7/29/10
NI	021336-000	2	INDICATOR, LT, RED, CHROME BEZEL, LED ON OR AFTER 7/29/10
NI	015043-000	2	INDICATOR, LIGHT, BLUE LED (ON OR AFTER 7/13/11)
7	PD040004		GROMMET BUMPER
8	PE050023		OVEN IND. LIGHT (LENS & BEZEL) BEFORE 7/29/10
NI	021336-000	2	INDICATOR, LT, RED, CHROME BEZEL, LED ON OR AFTER 7/29/10
NI	015043-000	2	INDICATOR, LIGHT, BLUE LED (ON OR AFTER 7/13/11)
9	PD020044		NO.8-32 X 1/4 PH. TR. HD. M.S.
10	PD020032		SRW-8(A)X3/8PH.WFR HD 7/16DIAXNICL
11	005703-000		KNOB-SINGLE INFINITE SWITCH XBKX
11	035897-000		KNOB,INF,PRO VESC CR3
12	005569-000		KNOB-DUAL INFINITE SWITCH XBKX
12	035904-000		KNOB,INF,PRO VESC CR3
13	PB010294		THERMOSTAT KNOB, VDSC REDESIGN - BK
13	035893-000		KNOB,OVN,TSTAT, PRO VDSC/VESC CR3
14	PB010296		SELECTOR KNOB, VDSC REDESIGN - BK
14	035895-000		KNOB,OVN,SEL, PRO VDSC/VESC CR3
15	002945-000		FALSE DRIP TRAY HANDLE ASSY, 30 - SS
16	003719-000		OVEN LIGHT SWITCH, BLACK
17	PB010304		KNOB BEZEL



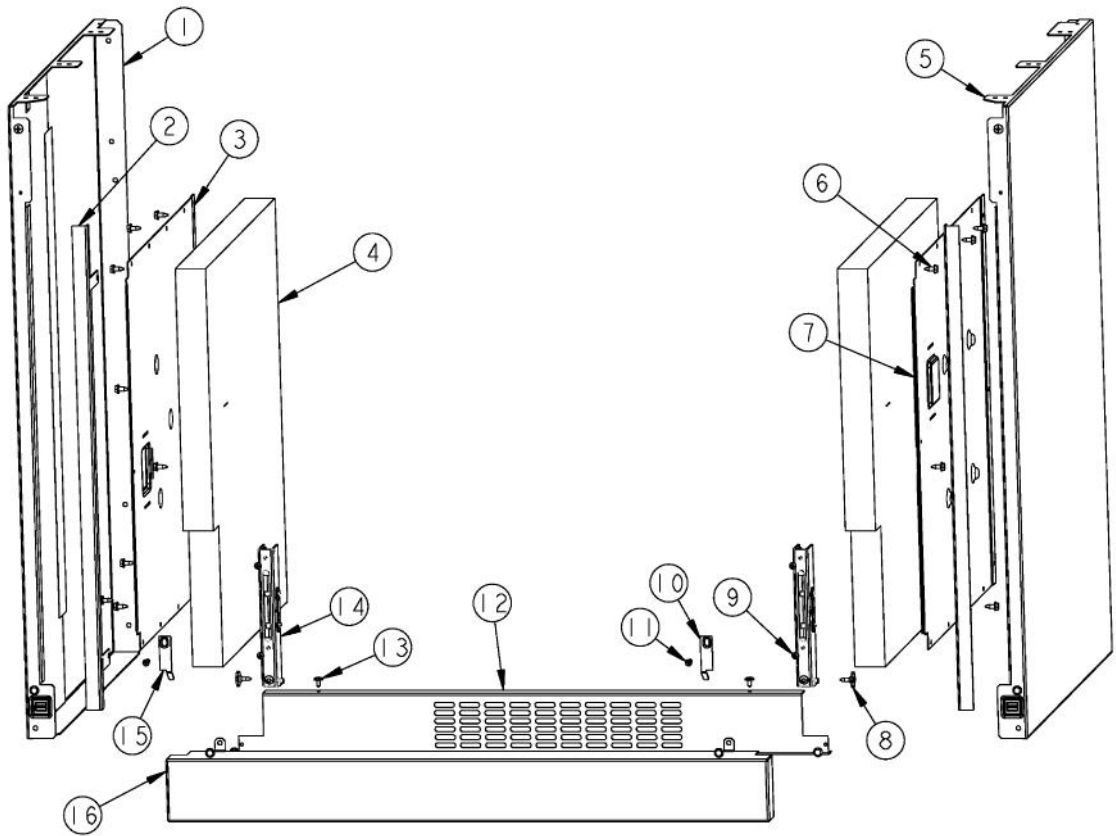
Ref #	Part Number	Qty.	Description
1	004448-000		COOKTOP, GL, ASM, BK
2	003801-000		SHOULDER SCREW, NO.10
3	PM010494		CERAMASPEED BRACKET
4	PD020013		TYPE AB NO.6 X 3/8 PH PAN HD. SMS
5	PJ020004		ELEMENT-(2)1800 X 800
6	PE050113		DECU INDICATOR LIGHT (SP-2185-BDPS)
7	004632-000		HOLDER, LAMP
8	PD010148		ELEMENT STUD
9	PD040056		ELEMENT STUD NUT
10	004574-000		SUPPORT, RNG, TOP, FR
11	PB070320		SILICONE EXTRUSION
12	003860-000		NO.10-18 X .500 FASTNR,SCR,HXWH,STL,ZPLT
13	PC010006		GUIDE SPRING DESU
14	PJ020003		ELEMENT
15	PJ020005		2500 ELEMENT



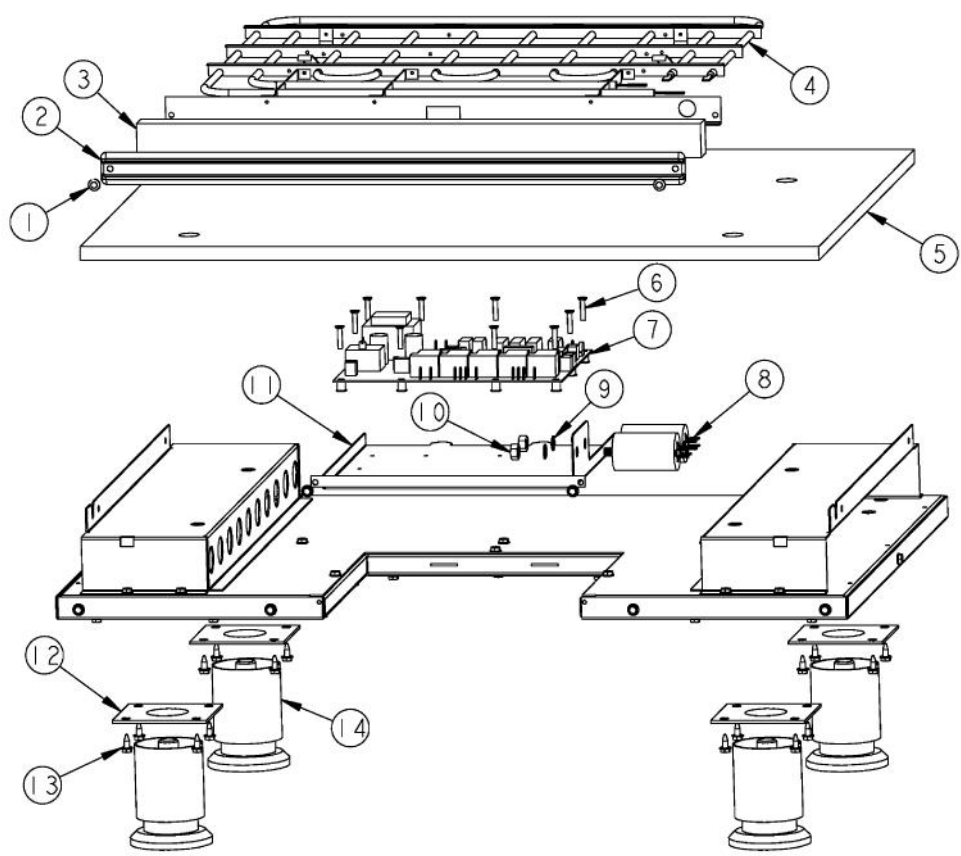
Ref #	Part Number	Qty.	Description
1	PB070321		LOWER LATCH INSULATION
2	PB070079		SILICONE EXTRUSION (DGSU)
3	PB020275		VENT TUBE
4	PE050210		DOOR LATCH
5	003333-000		DUCT, FLUE
6	003860-000		NO.10-18 X .500 FASTNR,SCR,HXWH,STL,ZPLT
7	PE050250		PREMIUM BLOWER WITH HES
8	A2009659		BRACKET, FILLER, BLOWER
9	004110-000		MOUNT,BLOWER
10	A20012649		DOOR SWITCH BRACKET
11	PE050208		DOOR SWITCH
12	PB070305		30 TOP BROIL INSULATION
13	B20014051		PREMIERE BROIL ELEMENT BRACKET REAR
14	PJ010050		SEALED BROIL ELEMENT W/GLASS
15	PB070337		LINER FRONT INSULATION
16	PE050206		RTD THERMOSTAT PROBE
17	PD020048		NO.10 X 1/2 TEK 410 SS SCREW
18	B20014050		PREMIERE BROIL ELEMENT BRACKET FRONT
19	PM010014		SMOKE ELIMINATOR (VDSC)
20	PB070308		30 TOP INSULATION
21	PE050239		HALOGEN LAMP



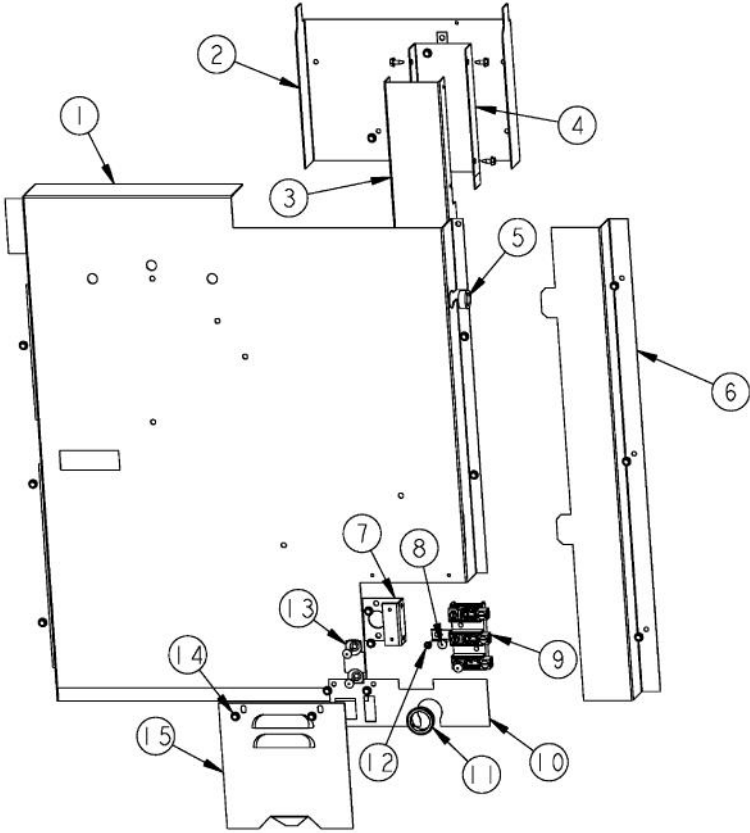
Ref #	Part Number	Qty.	Description
1	PJ010047		CONVECTION ELEMENT
2	G32014020		CONVECTION FAN ASSY
3	003860-000		NO.10-18 X .500 FASTNR,SCR,HXWH,STL,ZPLT
4	E9107933		BROILER PAN
5	PE050238		120 VOLT SIDE HALOGEN LIGHT
6	PB060103		RACK SUPPORT RH
7	PD020232		NO.8 X 3/4 PH PAN HEAD TEK SCREW (BLACK OXIDE)
8	PB060108		SLIDING RACK
9	PD020067		NO.6 X 3/8 PAN PHIL. TEK SS
10	E91014053		PORCELAIN 25/64 HOLE PLUG
11	PB060104		RACK SUPPORT LH
12	PB060107		30 OVEN RACK
13	E9107934		BROILER PAN INSERT
14	G91013598		30 BAFFLE ASSEMBLY



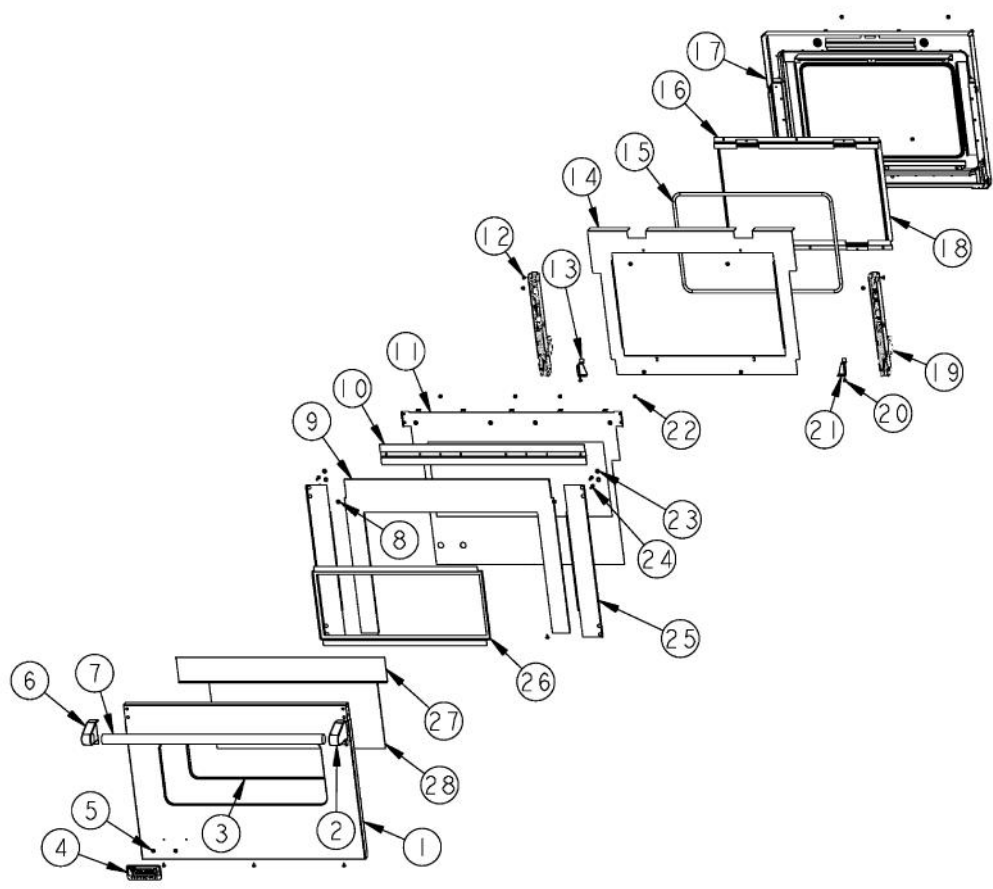
Ref #	Part Number	Qty.	Description
1	003803-000		SIDE PANEL ASSY, LH
2	003644-000		TRIM,FRONT,SIDE,STAINLESS
3	A20012650		BRKT, TOP WRAPPER LEFT
4	PB070302		SIDE INSULATION
5	003802-000		SIDE PANEL ASSY, RH, SST
6	003860-000		NO.10-18 X .500 FASTNR,SCR,HXWH,STL,ZPLT
7	A2009622		BRKT, TOP WRAPPER, RIGHT
8	PD020151		SHOULDER SCREW
9	PD020062		NO.8-32 X 3/8 PHMS TYPE 1
10	B21010915		HINGE CLIP ? RH
11	PD020061		NO.8 X 3/4 FLAT HD TEK. SS.
12	003330-000		ACCESS GRILL PANEL, LOWER
13	PD020032		SRW-8(A)X3/8PH.WFR HD 7/16DIAXNICL
14	031679-000	2	RECEPTACLE, HINGE
15	B21010916		HINGE CLIP ? LH
16	002910-000	1	KICKPLATE - STAINLESS
16	005508-002	1	KICKPLATE, BK
16	005508-003	1	KICKPLATE, BT
16	005508-004	1	KICKPLATE, SG
16	005508-005	1	KICKPLATE, GG
16	005508-006	1	KICKPLATE, WH
16	005508-008	1	KICKPLATE, BU
16	005508-009	1	KICKPLATE, LE
16	005508-010	1	KICKPLATE, MJ
16	005508-012	1	KICKPLATE, VB
16	005508-013	1	KICKPLATE, CB
16	005508-015	1	KICKPLATE, PL
16	005508-016	1	KICKPLATE, CH
16	005508-017	1	KICKPLATE, TP
16	005508-018	1	KICKPLATE, CW
16	005508-019	1	KICKPLATE, OG
16	005508-020	1	KICKPLATE, GM
16	005508-021	1	KICKPLATE, SA
16	005508-022	1	KICKPLATE, SE
16	005508-023	1	KICKPLATE, IB
16	005508-024	1	KICKPLATE, AR
16	005508-025	1	KICKPLATE, RR
16	005508-026	1	KICKPLATE, PM
16	005508-027	1	KICKPLATE, MS



Ref #	Part Number	Qty.	Description
1	PD020063		SCREW-NO.8(A) X 3/8PH WFR HD/BK OXID
2	E9109655		BAKE TRAY COVER
3	PB070309		BAKE ELEMENT INSULATION
4	PJ010048		BAKE ELEMENT
5	PB070303		30 BOTTOM INSULATION
6	PD020043		NO.6-32 X .750 PH. CTRSK T(F)-VGSO166
7	000621-000		SUB TO 002406-000 - CONTROL BOARD BEFORE 7/29/10
NI	014000-000		EOC4-CONTROL BOARD ON OR AFTER 7/29/10
8	PE050247		EBM FAN MOTOR CAPACITOR
9	PD040164		5/16 INTERNAL TOOTH LOCK WASHER TYPE A
10	PD030172		M8 X 1.25MM NUT
11	003050-000		CONTROL BOARD MOUNTING PLATE BEFORE 7/29/10
NI	015096-000		PLATE, MTG, EOC4 CONTROL BOARD ON OR AFTER 7/29/10
12	PC030007		LEG PLATE - 3/4 THREADED HOLE
13	003860-000		NO.10-18 X .500 FASTNR,SCR,HXWH,STL,ZPLT
14	PC030031		ADJUSTABLE LEG
NI	021340-000	1	LINEAR POWER SUPPLY, SINGLE ON OR AFTER 7/29/10

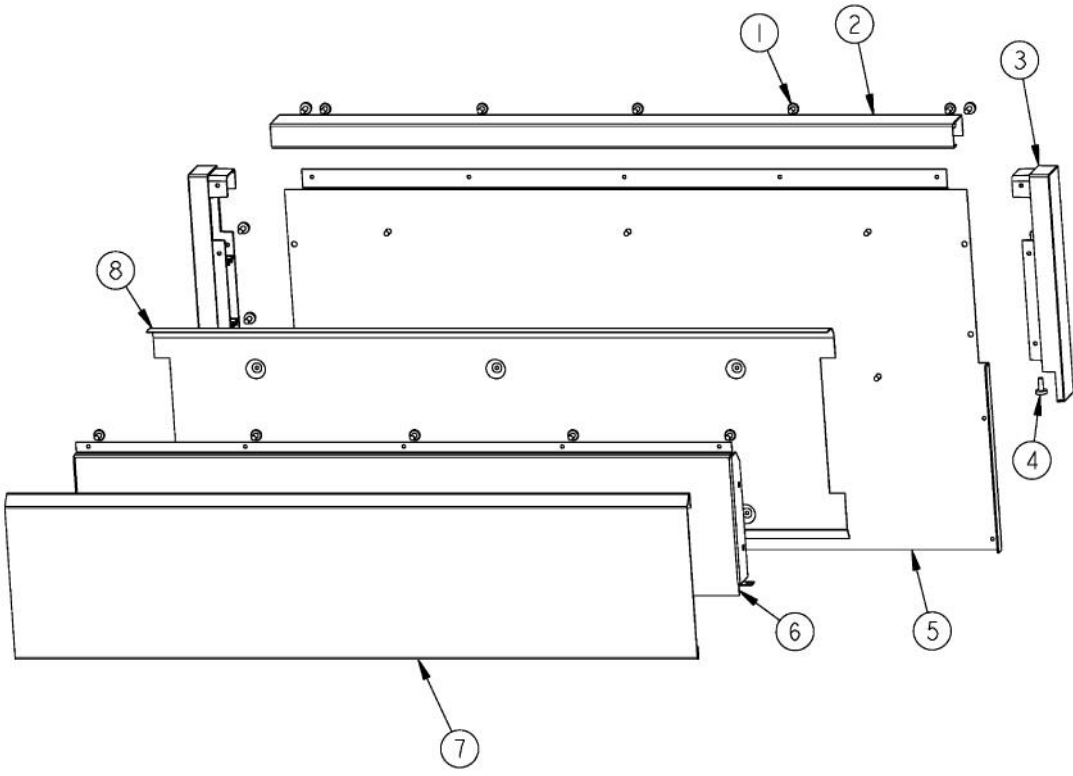


Ref #	Part Number	Qty.	Description
1	003272-000		COVER, REAR
2	003681-000		DUCT, AIR
3	A20010101		FLUE, OUTSIDE SHELL
4	A20010102		FLUE, CENTER EXTENDED
5	PD040005		SNAP BUSHING - 7/8
6	003245-000		CHANNEL, WIRE, REAR
7	A2002195		POWER CORD MOUNTING BRKT (VDSC)
8	PD020014		10X3/4 PH TR HD SMS
9	PE070147		TERMINAL BLOCK
10	003702-000		TEST CONNECTOR MOUNTING PLATE
11	PD040152		SNAP BUSHING
12	PD020010		10 X 3/8 GREEN GROUNDING SCREW
13	A1002457		POWER CORD MOUNTING STRAP (VDSC)
14	003860-000		NO.10-18 X .500 FASTNR,SCR,HXWH,STL,ZPLT
15	A2002454		BACK COVER ACCESS DOOR



Ref #	Part Number	Qty.	Description
1	023251-000	1	SVC DOOR SKIN KIT, VDSC530, 530T, SS
1	023252-002	1	SRV DOOR SKIN KIT, VDSC530, 530T, BK
1	023252-003	1	SRV DOOR SKIN KIT, VDSC530, 530T, BT
1	023252-004	1	SRV DOOR SKIN KIT, VDSC530, 530T, SG
1	023252-005	1	SRV DOOR SKIN KIT, VDSC530, 530T, GG
1	023252-006	1	SRV DOOR SKIN KIT, VDSC530, 530T, WH
1	023252-008	1	SRV DOOR SKIN KIT, VDSC530, 530T, BU
1	023252-009	1	SRV DOOR SKIN KIT, VDSC530, 530T, LE
1	023252-010	1	SRV DOOR SKIN KIT, VDSC530, 530T, MJ
1	023252-012	1	SRV DOOR SKIN KIT, VDSC530, 530T, VB
1	023252-013	1	SRV DOOR SKIN KIT, VDSC530, 530T, CB
1	023252-015	1	SRV DOOR SKIN KIT, VDSC530, 530T, PL
1	023252-016	1	SRV DOOR SKIN KIT, VDSC530, 530T, CH
1	023252-017	1	SRV DOOR SKIN KIT, VDSC530, 530T, TP
1	023252-018	1	SRV DOOR SKIN KIT, VDSC530, 530T, CW
1	023252-019	1	SRV DOOR SKIN KIT, VDSC530, 530T, OG
1	023252-020	1	SRV DOOR SKIN KIT, VDSC530, 530T, GM
1	023252-021	1	SRV DOOR SKIN KIT, VDSC530, 530T, SA
1	023252-022	1	SRV DOOR SKIN KIT, VDSC530, 530T, SE
1	023252-023	1	SRV DOOR SKIN KIT, VDSC530, 530T, IB
1	023252-024	1	SRV DOOR SKIN KIT, VDSC530, 530T, AR
1	023252-025	1	SRV DOOR SKIN KIT, VDSC530, 530T, RR
1	023252-026	1	SRV DOOR SKIN KIT, VDSC530, 530T, PM
1	023252-027	1	SRV DOOR SKIN KIT, VDSC530, 530T, MS
2	003012-000		DOOR HANDLE ENDCAP ASSY, RH (CHROME)
2	003012-100		DOOR HANDLE ENDCAP ASSY, RH (BRASS)
3	PE060105		30 J-MOLD (CHROME) NOT FIELD REPLACEABLE (NOT FIELD REPLACEABLE - MUST ORDER ITEM NO. 1)
3	PE060105BR		30 J-MOLD (BRASS) NOT FIELD REPLACEABLE
4	PE010016		NAMEPLATE, LOGO, PRO
4	PE010079		4.5 LOGO/VIKING PROF, BK/BR
4	PE010017		LOGO (VGSO,VEDO,VGDO,VUD) XWH/CHR
4	PE010080		4.5 LOGO/VIKING PROF XWH/BR
5	PD030006		CAPPED WASHER PAL NUT
6	003011-000		DOOR HANDLE ENDCAP ASSY, LH (CHROME)
7	002728-000		DOOR HANDLE - SS, 1.25 OD
7	002728-100		DOOR HANDLE - BRASS PVD, 1.25 OD
8	PD020073		SRW NO.10 X 24 X 3/8 WAFER HD TYPE23
9	002727-000		DOOR SKIN INSULATION, 30
10	002732-000		DOOR SKIN MOUNTING BRACKET ASSY
11	004176-000		DOOR SKIN INSULATION RETAINER ASSY
12	PD020063		SCREW-NO.8(A) X 3/8PH WFR HD/BK OXID
13	A20012641		HINGE SUPPORT LH
14	004152-000		DOOR LINER INSULATION RETAINER, 30
15	000594-000		BLACK FIBERGLASS ROPE 3/8
16	004153-000		DOOR GLASS HOLDER BRACKET
17	015412-000		DOOR LINER SPOTWELD ASM
18	PE060094		30 WINDOW PACK
19	002740-000		MANSFIELD HINGE, BLUE SPRING
20	PD020032		SRW-8(A)X3/8PH.WFR HD 7/16DIAXNICL
21	A20012640		HINGE SUPPORT RH
22	PD030010		NO.10-24 KEPS NUT
23	004907-000		STEEL FINISHING PLUG, NICKEL PLTD 25/64 HOLE
24	002736-000		NO.10-32 PAN HEAD PHILLIPS MACHINE SCREW
25	002726-000		DOOR SKIN SIDE BRACKET
26	L20014077		30 WINDOW HOLDER NOT FIELD REPLACEABLE (NOT FIELD REPLACEABLE - MUST ORDER ITEM NO. 1)
27	002724-000		DOOR SKIN HEAT SINK, 30
28	PE060090		30 PROF. OUTER DOOR GLASS (NOT FIELD REPLACEABLE - MUST ORDER ITEM NO. 1)

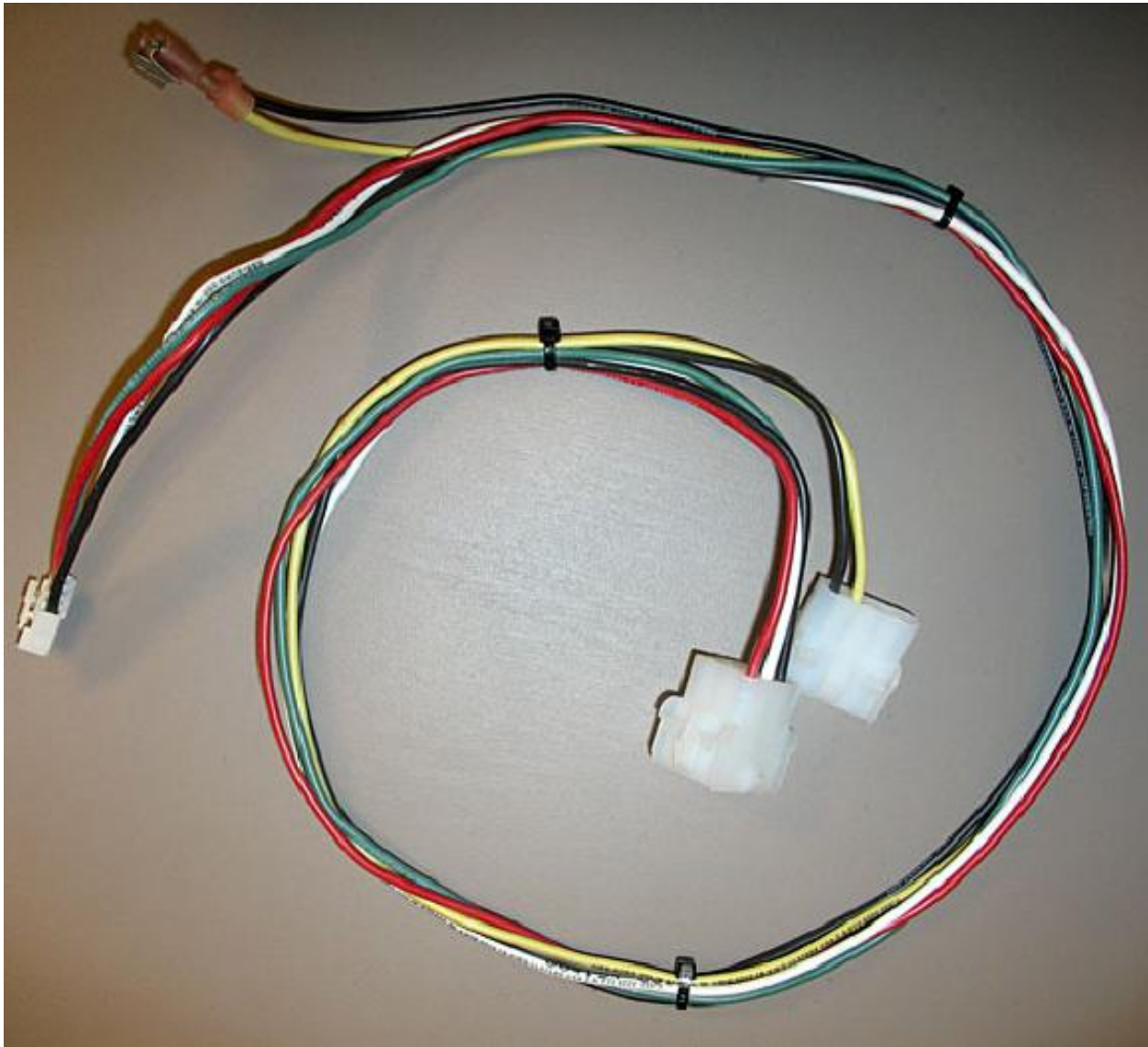
Ref #	Part Number	Qty.	Description
NI	003779-000		(NOT FIELD REPLACEABLE - MUST ORDER ITEM NO. 1)
NI	PB070246		DOOR ASSEMBLY - STAINLESS 30 DOOR GASKET



Ref #	Part Number	Qty.	Description
1	PD020046		NO.8 X 1/2 SCREWS
2	003810-000		BACKGUARD TOP, SS
3	002703-000		BACKGUARD ENDCAP
4	PD020056		NO.10-24 X 1/2 PH.TR. M.S. SS
5	003811-000		BACKGUARD BACK, ALUMINIZED
6	003809-000		BACKGUARD FRONT SUPPORT, SS
7	003806-000		BACKGUARD FRONT PANEL, SS
8	003814-000		BACKGUARD INNER DIVERTER, SS

*No Image
Available*

Ref #	Part Number	Qty.	Description
NI	004132-000	1	OVEN HARNESS BEFORE 7/29/10
NI	021182-000	1	MAIN OVEN HARNESS ON OR AFTER 7/29/10



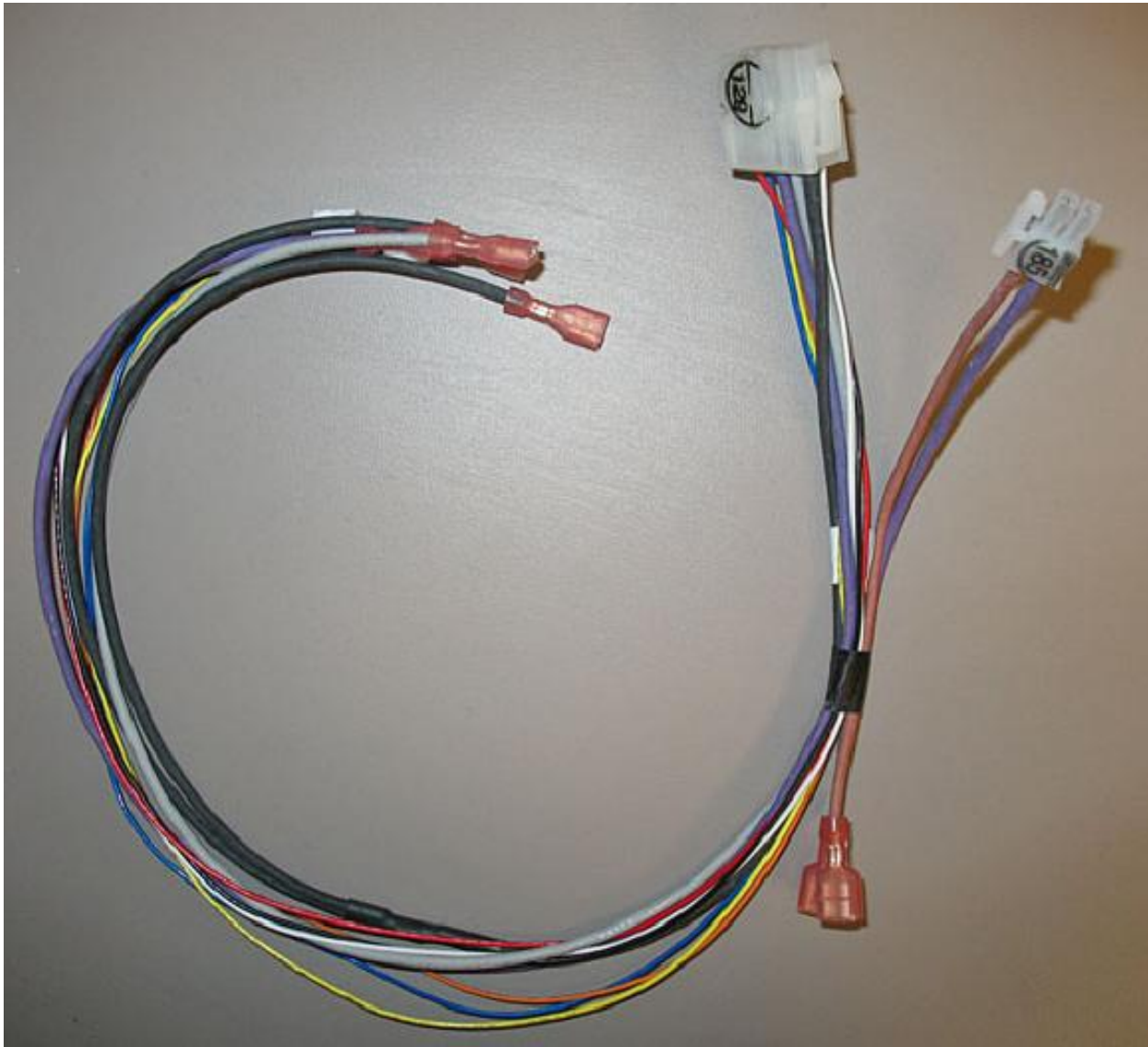
Ref #	Part Number	Qty.	Description
NI	004154-000		VDSC TEST HARNESS

*No Image
Available*

Ref #	Part Number	Qty.	Description
NI	006022-000		HARNESS, SURF, ASM, ELEMENT

*No Image
Available*

Ref #	Part Number	Qty.	Description
NI	PE070739		BAKE ELEMENT HARNESS



Ref #	Part Number	Qty.	Description
NI	004133-000		CONTROL PANEL HARNESS BEFORE 7/29/10
NI	020019-000		HARNESS, WRG, CONTROL ON OR AFTER 7/29/10

*No Image
Available*

Ref #	Part Number	Qty.	Description
NI	006099-000		HARNESS, PWR, ASM, INDICATOR

*No Image
Available*

Ref #	Part Number	Qty.	Description
NI	G4000936		GROUND WIRE

*No Image
Available*

Ref #	Part Number	Qty.	Description
NI	005292-000	1	MODEL 5 HEADER BEFORE 7/29/10

*No Image
Available*

Ref #	Part Number	Qty.	Description
NI	023022-000	1	MODEL 17 HEADER ON OR AFTER 7/29/10

*No Image
Available*

Ref #	Part Number	Qty.	Description
NI	PE070734	1	SINGLE OVEN HEADER BEFORE 7/29/10

*No Image
Available*

Ref #	Part Number	Qty.	Description
NI	000915-000	1	LIMIT JUMPER BEFORE 7/29/10