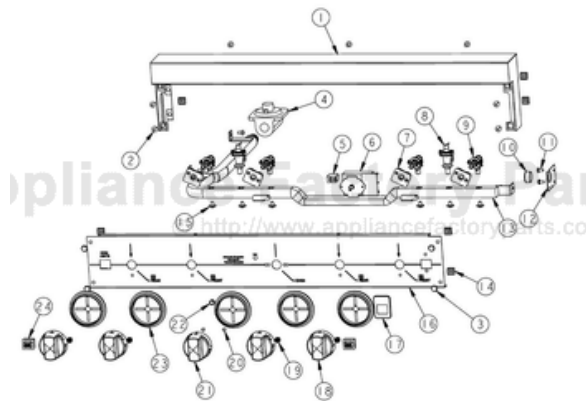


This Owner's Manual is provided and hosted by [Appliance Factory Parts](#).



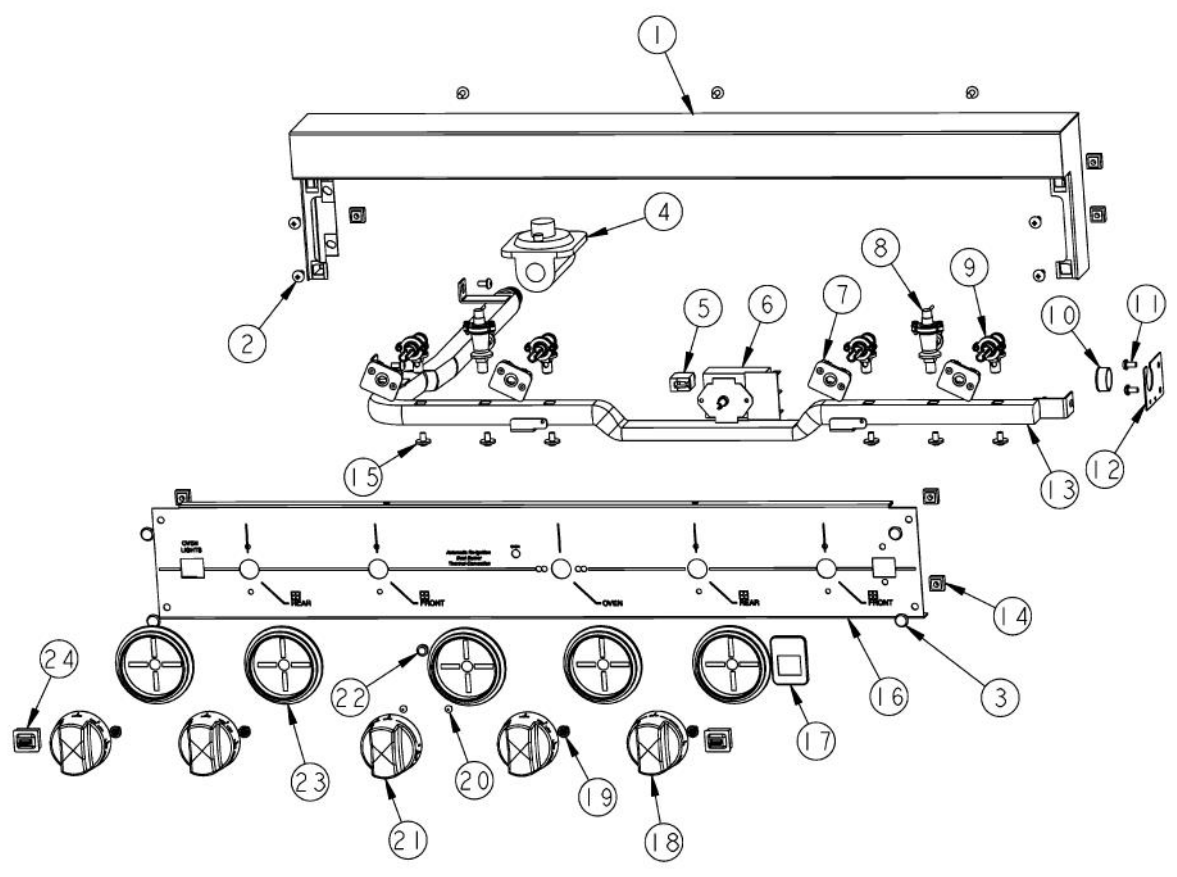
VIKING VGIC305DSI Owner's Manual

[Shop genuine replacement parts for VIKING VGIC305DSI](#)

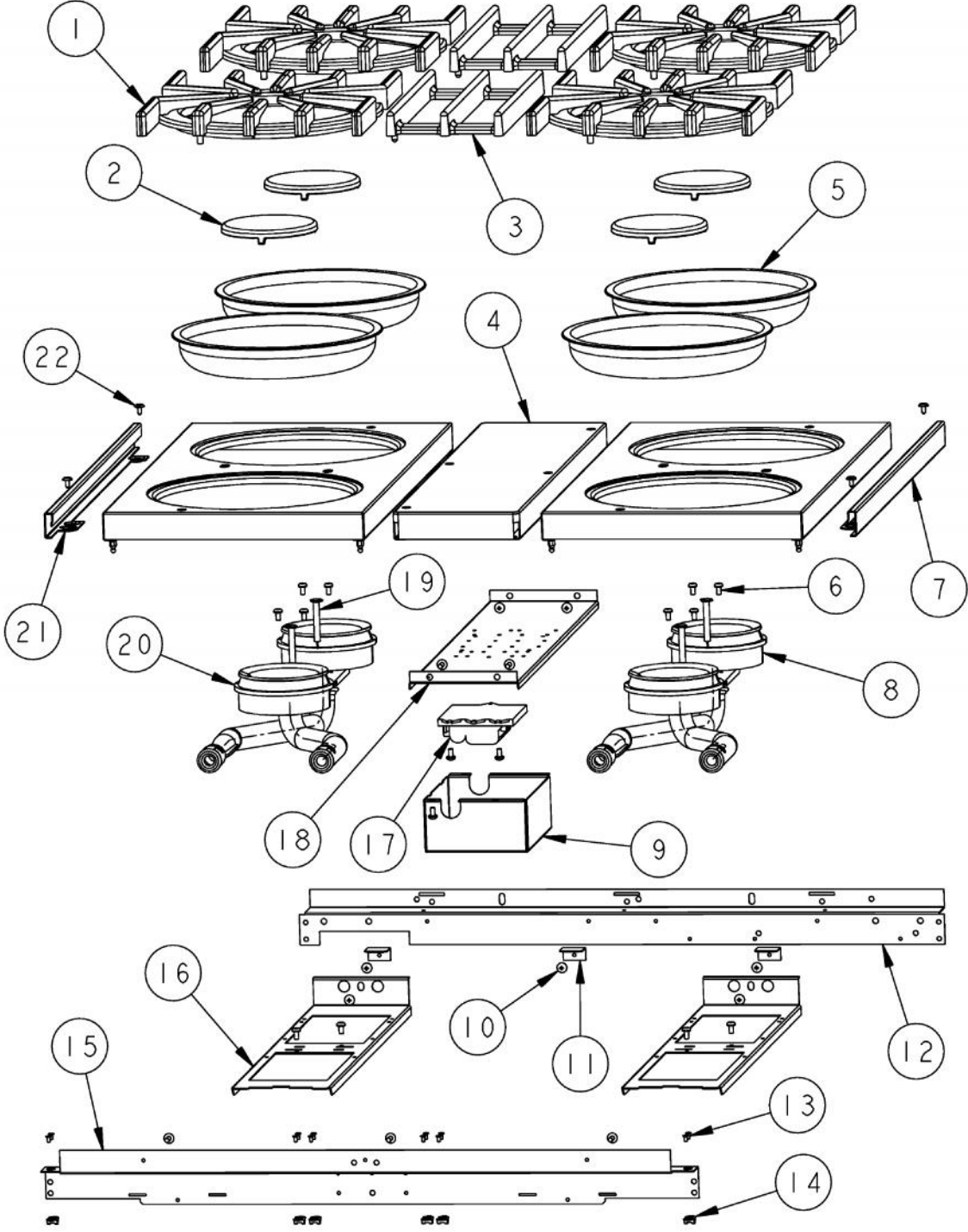


[Find Your VIKING Range Hoods Parts - Select From 411 Models](#)

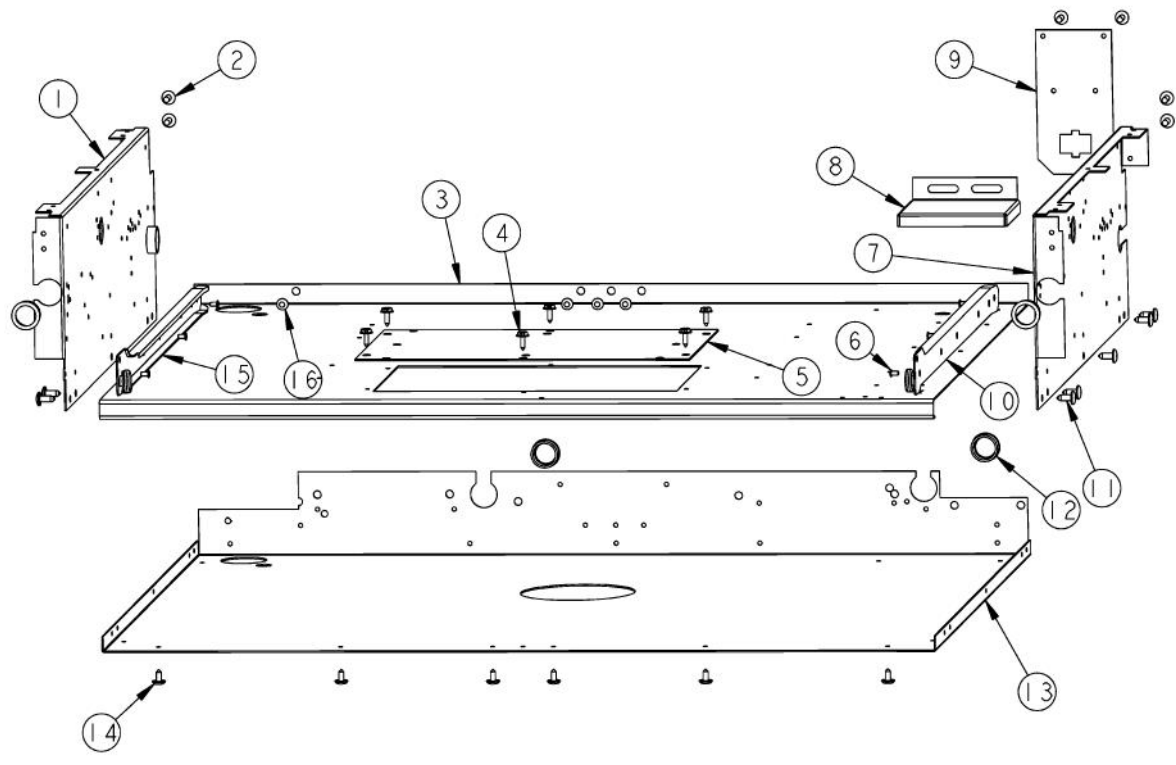
----- Manual continues below -----



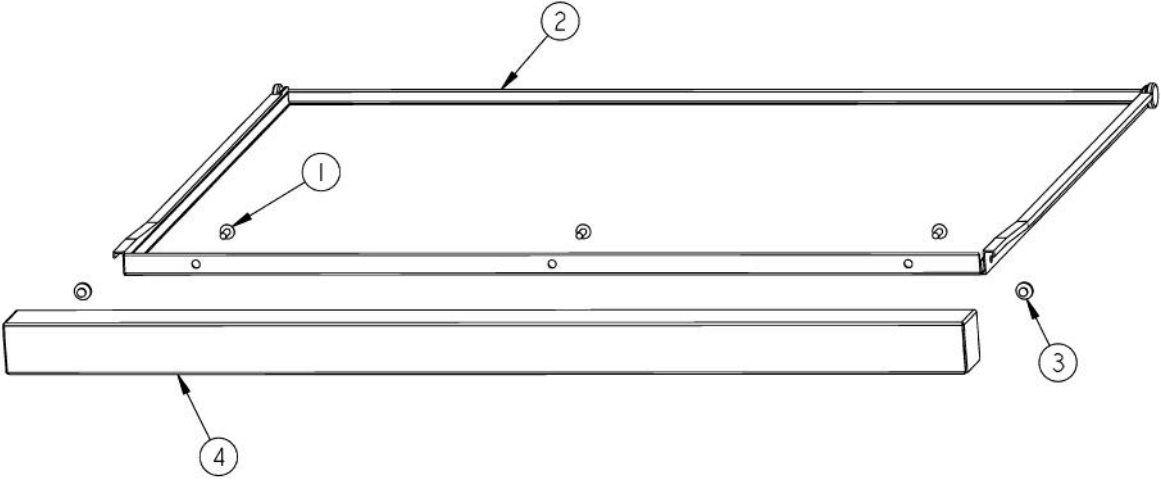
Ref #	Part Number	Qty.	Description
1	G3001406		LANDING LEDGE ASSY
2	PD010003		10-24 X 1/2 PH.TR.HD.SERD.M.S.
3	PD020033		SRW-NO.10-24X1/2T(23)PH.WFR HD (NKL)
4	PA070001		PRESSURE REGULATOR (NAT.)
5	PE050024		OVEN IND. LIGHT (LIGHT HOUSING)
6	PB010036		THERMOSTAT BAKE/BROIL
7	PA020045		IGNITOR SWITCH
8	PB030007		SHUT OFF VALVE
9	PA010157		SUB TO 003515-000 - RANGE TOP BURNER VALVE
10	PD040005		SNAP BUSHING - 7/8
11	PD020004		10X3/8PH.HD.TYPE 25 REPL PD040125
12	A1001138		MANIFOLD BRKT
13	PA050113		MANIFOLD
14	PD030005		SELF RETAINING NUT
15	PD010012		VALVE BOLT 1/4-20 UNC-2B 5/16 M.S.
16	B9202840		CTRL PAN VGSC305-4B REPL B9201791
17	PE010081		CONVECTION-LABEL/PLATE (CHROME)
17	PE010082		CONVECTION-LABEL/PLATE (XBRX)
18	PB010206		VGSC,VGRC,VGRT TOP BURNER KNOB(BK)
18	PB010207		VGSC,VGRC,VGRT TOP BURNER KNOB(WH)
19	PD020046		NO.8 X 1/2 SCREWS
20	PD020006		NO.6-32 X 1/4 PH.PAN HD. T(F)
21	PB010099		T/STAT B/B KNOB BK REPL PB010039BKX
21	PB010100		THERMOSTAT BAKE/BROIL KNOB XWHX N/S
22	PE050023		OVEN IND. LIGHT (LENS & BEZEL)
23	PB010208		BEZEL, CHROME PLATE
23	PB010209		BEZEL BRASS
24	PE050016		OVEN LIGHT SWITCH - XBKX (WES-GAR)
24	PE050017		OVEN LIGHT SWITCH - XWHX (WES-GAR)



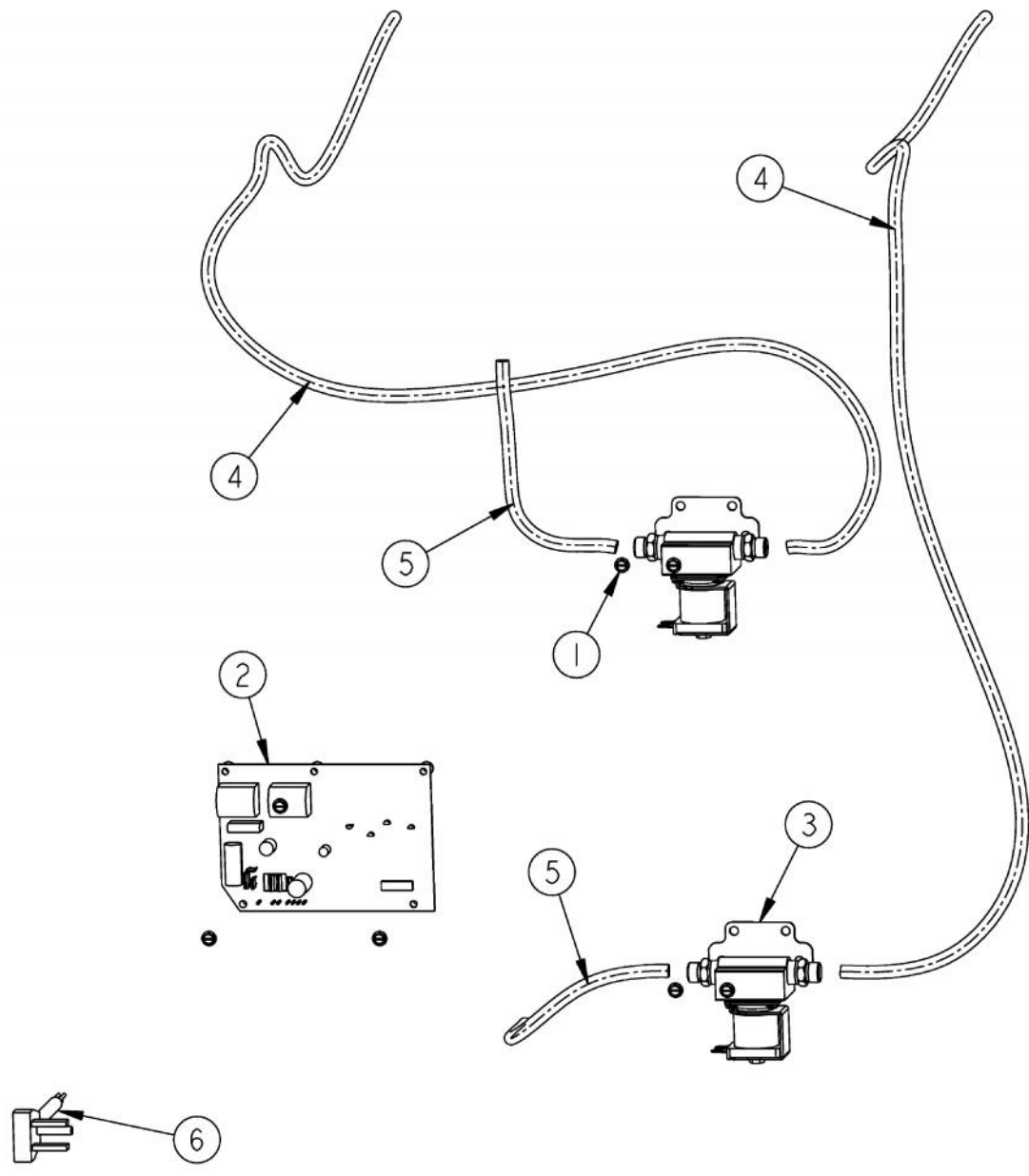
Ref #	Part Number	Qty.	Description
1	PA060037		GRATE BK REPL PA060024 (GEN.NO.2)
1	PA060038		GRAY GRATES
2	PA080015		BURNER CAP-VGRT XBKX
2	PA080016		BURNER CAP-VGRT (GRAY-MATT)
3	PA060049		CENTER GRATE - MATT BK
3	PA060050		CENTER GRATE - MATT GRAY
4	E9104416AL		CENTER WORK SPACE - AL
4	E9104416BK		CENTER SPACER (VGSC306) XBKX
4	E9104416BT		CENTER WORK SPACE - BT
4	E9104416CB		CENTER SPACER (VGSC306) XCBX
4	E9104416EP		CENTER WORK SPACE - EP
4	E9104416FG		CENTER WORK SPACE - FG
4	E9104416GG		CENTER WORK SPACE - GG
4	E9104416LE		CENTER WORK SPACE - LE
4	E9104416MJ		CENTER WORK SPACE - MJ
4	E9104416SG		CENTER WORK SPACE - SG
4	E9104416VB		CENTER WORK SPACE - VB
4	E9104416WH		CENTER SPACER (VGSC306) XWHX
5	PA030002AL		BURNER BOWLS - AL
5	PA030002BK		BURNER BOWL (VGRT) XXBKXX
5	PA030002BT		BURNER BOWLS - BT
5	PA030002CB		BURNER BOWLS - CB
5	PA030002EP		BURNER BOWLS - EP
5	PA030002FG		BURNER BOWLS - FG
5	PA030002GG		BURNER BOWLS - GG
5	PA030002LE		BURNER BOWLS - LE
5	PA030002MJ		BURNER BOWL (VGRT) XXMJXX
5	PA030002SG		BURNER BOWLS - SG
5	PA030002VB		BURNER BOWL (VGRT) XXVBXX
5	PA030002WH		BURNER BOWL (VGRT) XXWHXX
6	PD020004		10X3/8PH.HD.TYPE 25 REPL PD040125
7	B2002345		SIDE TRIM - RH (VGSS)
7	C9302345BR		SIDE TRIM - RH (VGSS) XBRX
8	PA080036		TOP BURNER REAR REPL PA080008
9	A2001432		SPARK MODULE/TERMINAL COVER
10	PD010003		10-24 X 1/2 PH.TR.HD.SERD.M.S.
11	A2001147		GRATE SUPT ANGLE (VGRT)
12	A2002364		REAR BURNER SUPT VGSC/SS30
13	PC040010		POP RIVET
14	PD010016		BALL STUD FASTEN
15	A2001404		FRONT BURNER HOLDER (VGSS)
16	A2001112		BURNER SUPT (VGRT)
17	PA020047		INVENSYS 0+4 RE-IGNITION SPARK MODULE
18	003107-000		CENTER SUPPORT
19	PA020028		SPARK IGNITER
20	PA080037		TOP BURNER FRONT REPL PA080007
21	B2002346		SIDE TRIM - LH (VGSS)
21	C9302346BR		SIDE TRIM - LH (VGSS) XBRX
22	PD020032		SRW-8(A)X3/8PH.WFR HD 7/16DIAXNICL



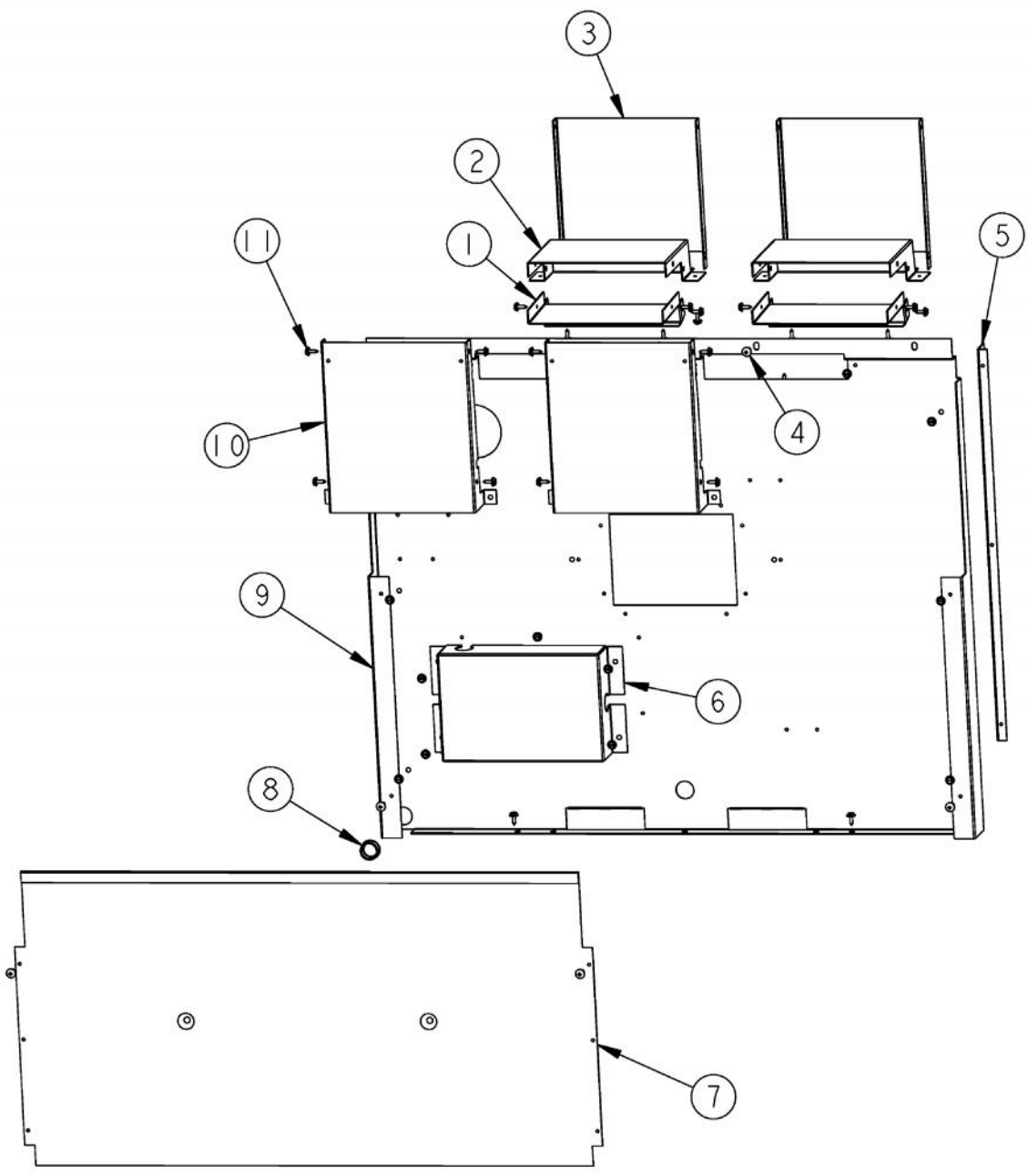
Ref #	Part Number	Qty.	Description
1	A2001912		BURNER BOX SIDE LH
2	PD010003		10-24 X 1/2 PH.TR.HD.SERD.M.S.
3	A2001401		INSULATION PANEL
NI	PB070034		INSULATION-TRS-10 1 X 20 X 3`
4	PD020003		NO.10 X 1/2 T(A) HEX WASHER HEAD
5	A1006344		DOOR LOCK ACCESS PANEL 48
6	PC040010		POP RIVET
7	A2001911		BURNER BOX SIDE RH
8	A2000667		SHIELD - OUTLET VRTR
9	A1001146		PLUG BRACKET
10	PK000008		DRIP TRAY GUIDE - RH
11	PD020002		10 X 1/2 PH.TR.HD.SMS.
12	PD040005		SNAP BUSHING - 7/8
13	A2001400		BURNER BOX BTM
14	PD020032		SRW-8(A)X3/8PH.WFR HD 7/16DIAXNICL
15	PK000007		DRIP TRAY GUIDE - LH (VGRT)
16	PD020004		10X3/8PH.HD.TYPE 25 REPL PD040125



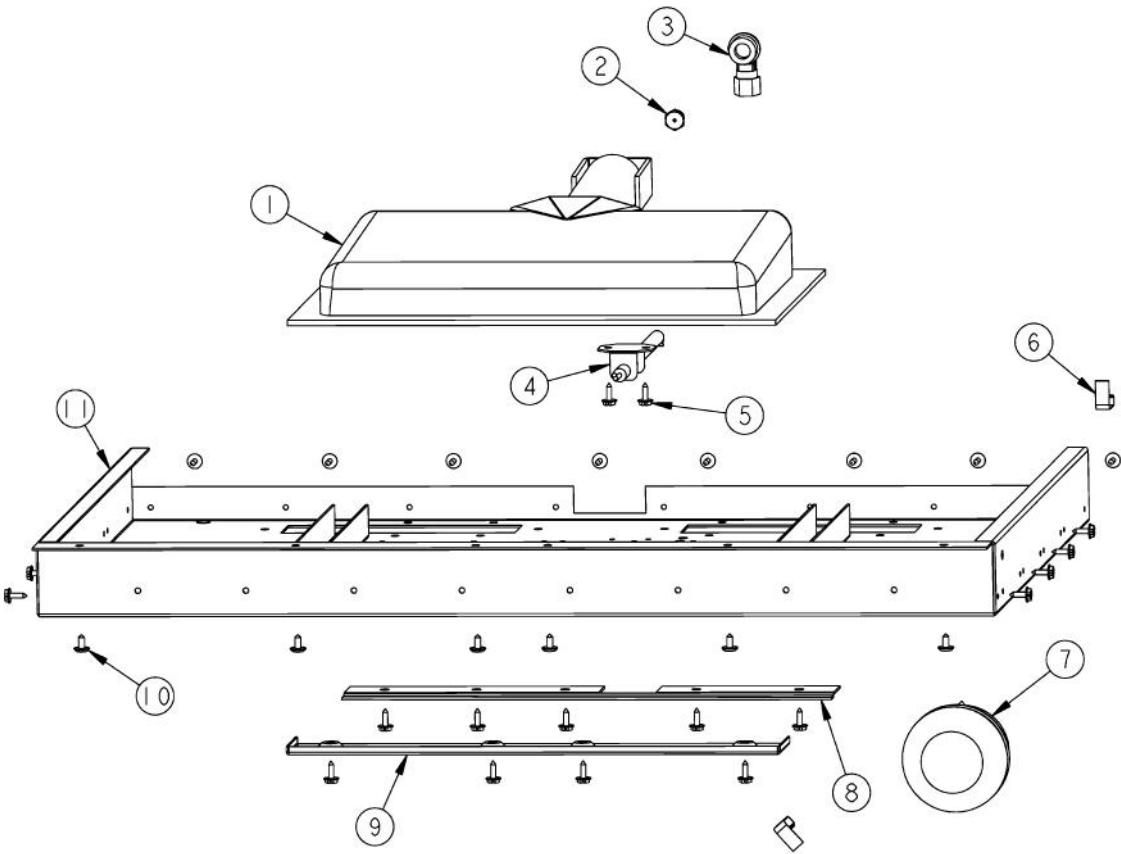
Ref #	Part Number	Qty.	Description
1	PD010003		10-24 X 1/2 PH.TR.HD.SERD.M.S.
2	G30010454		30 DRIP TRAY ASSY
3	PD040004		GROMMET BUMPER
4	B3001840		DRIP TRAY HANDLE
4	C9301840PVD		DRIP TY HDLE REPL C9301840BR



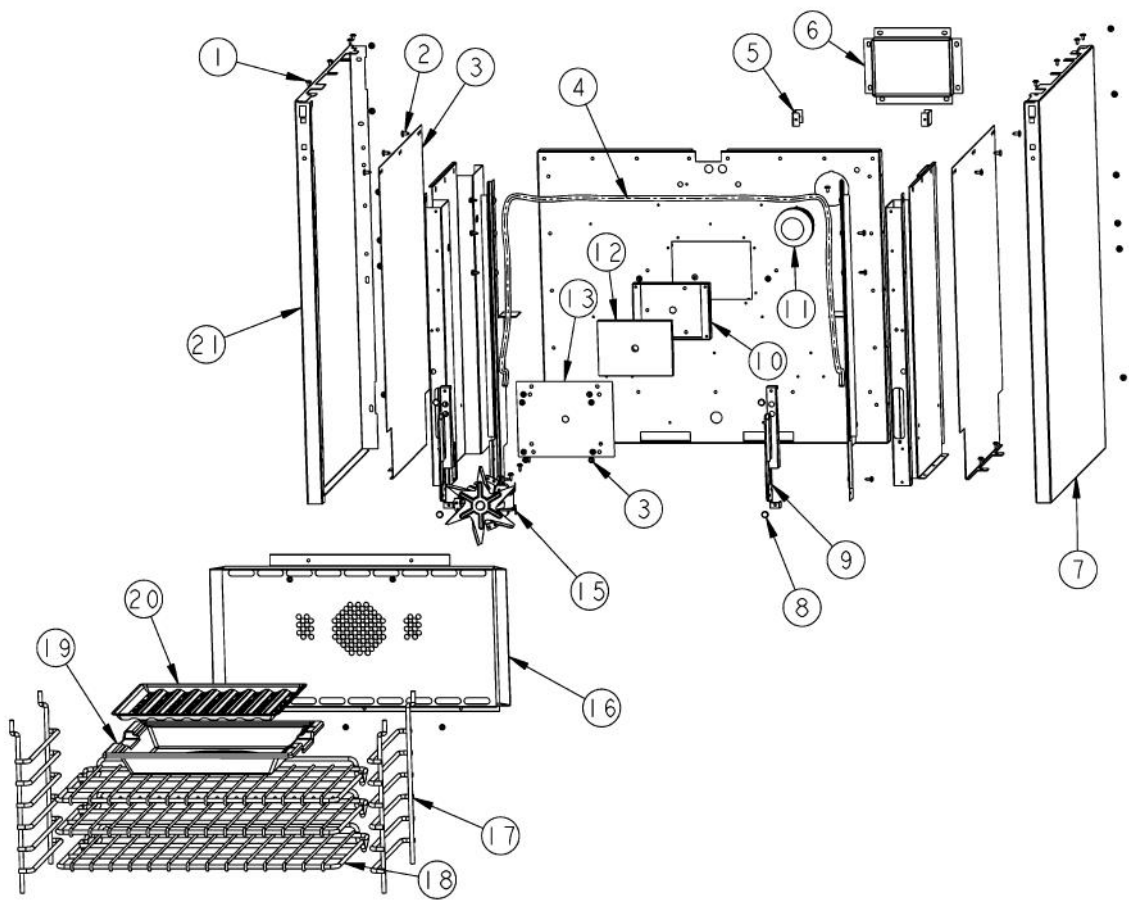
Ref #	Part Number	Qty.	Description
1	PD020003		NO.10 X 1/2 T(A) HEX WASHER HEAD
2	PA020035		DSI MODULE REPL PA020027
3	003226-000	1	FJT VALVE - NO NUT/FERRELL
4	PB020113		3/8 SS FLEX TUBING - 52 T6-52
5	PB020116		TUBING - 10 FLEXIBLE 12 & 24
6	PE070128		SUPPLY CORD (VGRT/SC/SS/RC)



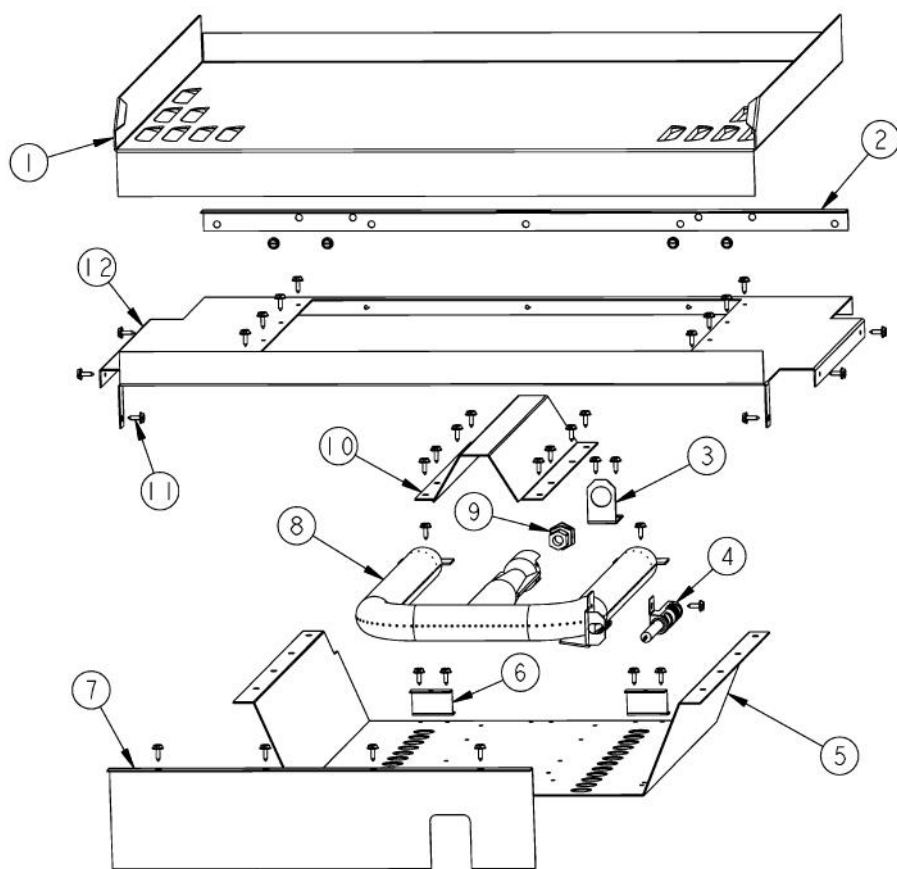
Ref #	Part Number	Qty.	Description
1	A2001415		FLUE BOX BTM (VGSC/SS)
2	A2001414		FLUE BOX TOP (VGSC/SS) 30
3	A2002365		VENT BOX FRONT VGSC/SS
4	PD010003		10-24 X 1/2 PH.TR.HD.SERD.M.S.
5	A2003495		O/S BACK BRACE (VGIS480)
6	A2009755		MODULE COVER, DSI MODULE
7	A2002009		REAR COVER (VGSS30)
8	PD040005		SNAP BUSHING - 7/8
9	A2005124		O/S BACK PANEL - 30
10	A2002366		VENT BOX BODY VGSC/SS
11	PD020003		NO.10 X 1/2 T(A) HEX WASHER HEAD



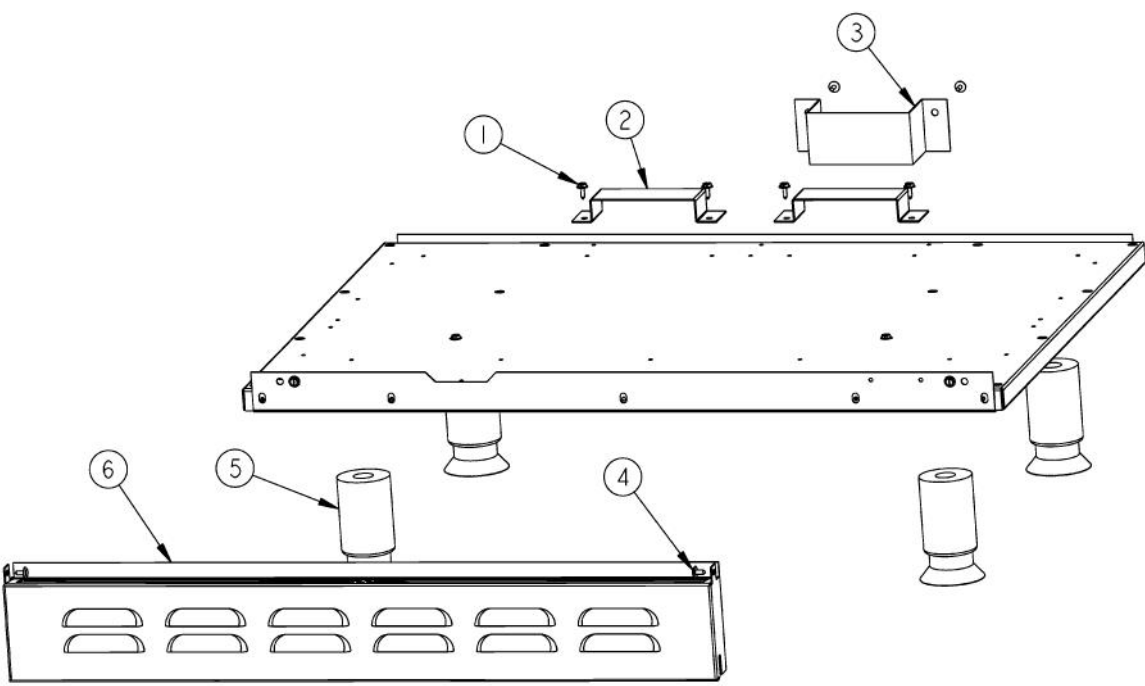
Ref #	Part Number	Qty.	Description
1	G3001876		IR BURNER ASSY (VGSC/RC) N/S
2	PB040040		ORIFICE-IR BURNER (VGSC)
2	PB040027		IR BUR.SPUD ORF. - NO.56 LP
3	PB040178		90 DEGREE ORIFICE FITTING (VGSC306)
4	PB040171		BROIL IGNITION ELECTRODE
5	PD020003		NO.10 X 1/2 T(A) HEX WASHER HEAD
6	PD030031		THERMAL BULB CLIP - .250
7	PE050009		OVEN LIGHT SOCKET - 36 BUILT-IN
8	B2005589		REAR BROILER BRACKET
9	B2002261		I/R BURNER SUPPORT
10	PD020032		SRW-8(A)X3/8PH.WFR HD 7/16DIAXNICL
11	G9105694		OVEN TOP ASSY - VGIC305



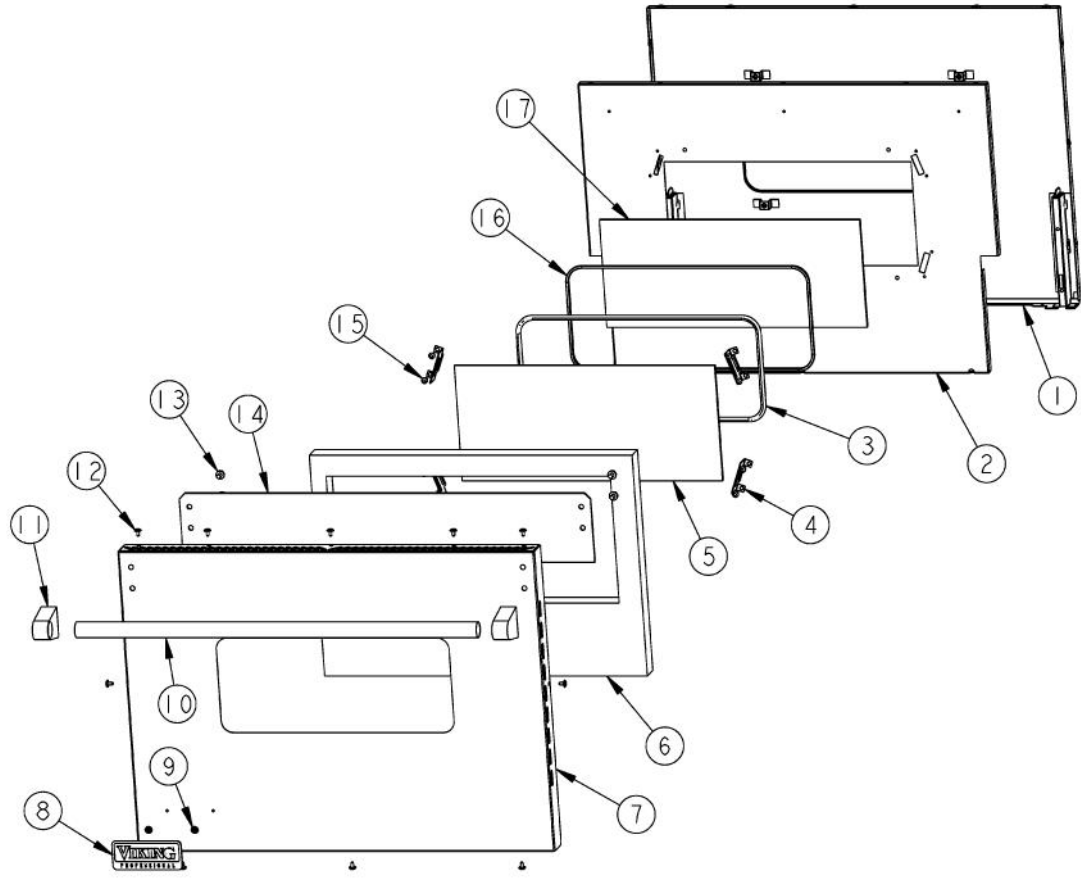
Ref #	Part Number	Qty.	Description
1	PD020032		SRW-8(A)X3/8PH.WFR HD 7/16DIAXNICL
2	PD020002		10 X 1/2 PH.TR.HD.SMS.
3	A2008490		INSULATION RETAINER, VGIC
4	PB070030		OVEN DR GASKET-30 & 36
5	A2001361		BACK SPACER (VGSC/VGSS)
6	A2008467		INSULATION SHIELD
7	B2002597		O/S BODY PANEL - RH (SS)
7	C9002597AL		O/S BODY PANEL-RH XALX (VDSC)
7	C9002597BK		BODY PNL RH BK REPL C9001921BK
7	C9002597BT		O/S BODY PANEL-RH XBTX (VDSC)
7	C9002597BU		BODY PNL RH BU REPL C9001921BU
7	C9002597CB		O/S BODY PANEL-RH XCBX (VDSC)
7	C9002597EP		O/S BODY PANEL-RH XEPX (VDSC)
7	C9002597FG		BODY PNL RH FG REPL C9001921FG
7	C9002597GG		BODY PNL RH GG REPL C9001921GG
7	C9002597LE		O/S BODY PANEL-RH XLEX (VDSC)
7	C9002597MJ		O/S BODY PANEL-RH XMJX (VDSC)
7	C9002597SG		O/S BODY PANEL-RH XSGX (VDSC)
7	C9002597VB		BODY PNL RH VB REPL C9001921VB
7	C9002597WH		BODY PNL RH WH REPL C9001921WH
8	PD020033		SRW-NO.10-24X1/2T(23)PH.WFR HD (NKL)
9	PC020007		HINGE ASSY (NO COLOR)
10	A2002595		CONVECTION FAN BOX (VDSC)
11	PE050009		OVEN LIGHT SOCKET - 36 BUILT-IN
12	PB070208		CONVECTION FAN INSULATION
13	A1002596		CONVECTION FAN COVER (VDSC)
14	PD020003		NO.10 X 1/2 T(A) HEX WASHER HEAD
15	PE050057		CONVECTION FAN (VGSC306)
16	G91012965		FAN COVER ASSY
17	PB060030		RACK SUPT REPL PB060010
18	PB060038		RACK REPL PB060011
19	E9107933		BROILER PAN
20	E9107934		BROILER PAN INSERT
21	B2002598		O/S BODY PANEL LH (SS)
21	C9002598AL		BODY PNL LH 30" REPL C9001922AL
21	C9002598BK		BODY PNL LH 30" REPL C9001922BK
21	C9002598BT		O/S BODY PANEL-LH XBTX (VDSC)
21	C9002598BU		BODY PNL LH 30" REPL C9001922BU
21	C9002598CB		O/S BODY PANEL-LH XCBX (VDSC)
21	C9002598EP		O/S BODY PANEL-LH XEPX (VDSC)
21	C9002598FG		BODY PNL LH 30" REPL C9001922FG
21	C9002598GG		BODY PNL LH 30" REPL C9001922GG
21	C9002598LE		O/S BODY PANEL-LH XLEX (VDSC)
21	C9002598MJ		O/S BODY PANEL-LH XMJX (VDSC)
21	C9002598SG		O/S BODY PANEL-LH XSGX (VDSC)
21	C9002598VB		BODY PNL LH 30" REPL C9001922VB
21	C9002598WH		BODY PNL LH 30" REPL C9001922WH



Ref #	Part Number	Qty.	Description
1	G3204251		OVEN BOTTOM ASSY - RH OVEN, 48
2	A2000606		OVEN BTM PAN SUPT
3	A2007978		BAKE ORIFICE BRACKET, VGIC245
4	PB040170		BAKE IGNITION ELECTRODE
5	A2007668		AIR PLATE
6	B2004415		BURNER BRACKET (VGSC306)
7	A20010434		BOTTOM HEAT SHIELD FRONT 24-30
8	PB050059		BAKE BURNER - NATURAL GAS
9	PB040172		3/8 X 3/8 ORIFICE FITTING
10	A2004424		BURNER COVER (VGSC306)
11	PD020003		NO.10 X 1/2 T(A) HEX WASHER HEAD
12	A2008491		BOTTOM HEAT SHIELD, VGIC305

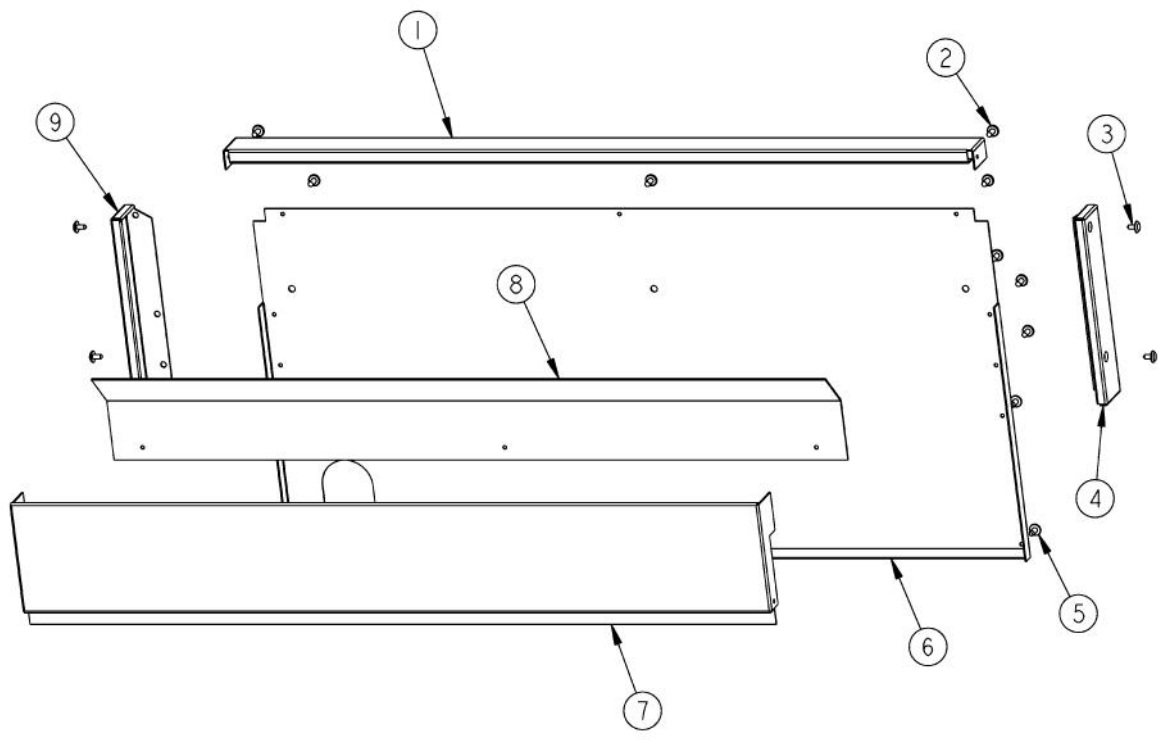


Ref #	Part Number	Qty.	Description
1	PD020003		NO.10 X 1/2 T(A) HEX WASHER HEAD
2	A2001359		REAR AIR PLATE BRKT (VGSC/VGSS)
3	A2001259		ANTI-TIP DEVICE
4	PD020032		SRW-8(A)X3/8PH.WFR HD 7/16DIAXNICL
5	PC030017		4 LEG ASSY
6	B2001815		LOWER ACC PAN - (VGRC605)
6	C9001815AL		LOWER ACC PAN - XALX (VGRC605)
6	C9001815BK		LOWER ACC PAN - XBKX (VGRC605)
6	C9001815BT		LOWER ACC PAN - XBTX (VGRC605)
6	C9001815BU		LOWER ACC PAN - XBUX (VGRC605)
6	C9001815CB		LOWER ACC PAN - XCBX (VGRC605)
6	C9001815EP		LOWER ACC PAN - XEPX (VGRC605)
6	C9001815FG		LOWER ACC PAN - XFGX (VGRC605)
6	C9001815GG		LOWER ACC PAN - XGGX (VGRC605)
6	C9001815LE		LOWER ACC PAN - XLEX (VGRC605)
6	C9001815MJ		LOWER ACC PAN - XMJX (VGRC605)
6	C9001815SG		LOWER ACC PAN - XSGX (VGRC605)
6	C9001815VB		LOWER ACC PAN - XVBX (VGRC605)
6	C9001815WH		LOWER ACC PAN - XWHX (VGRC605)

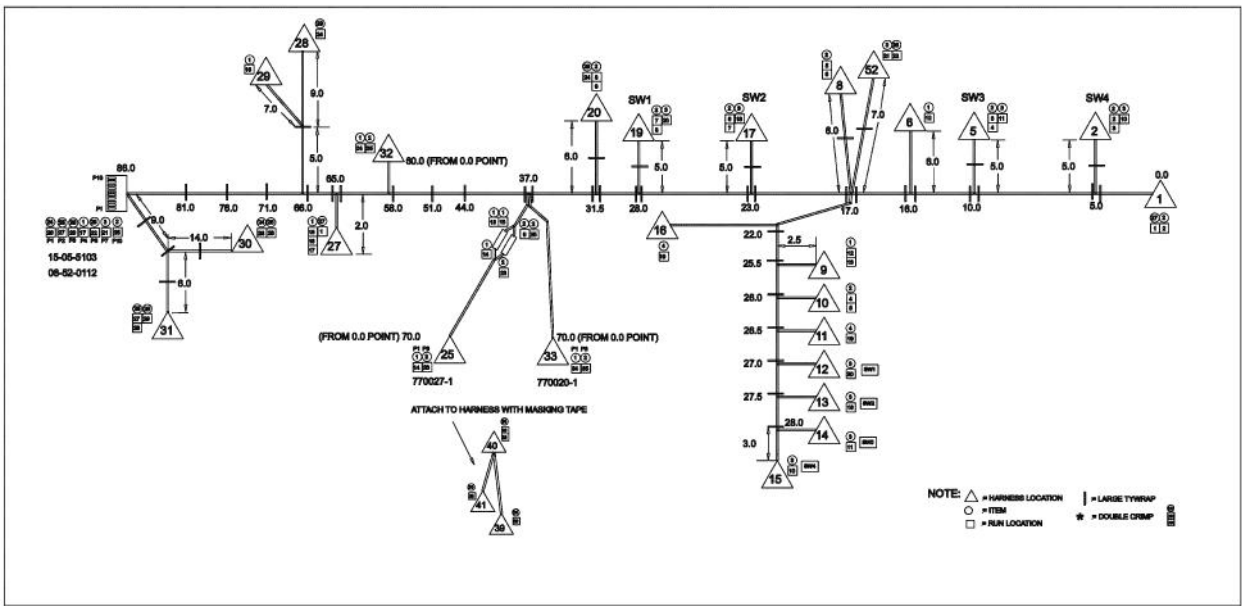


Ref #	Part Number	Qty.	Description
1	G9103408		INSIDE DOOR LINER (VGSC30)
2	A2003401		DOOR INSUL. PANEL (VGSC30)
3	PE060007		J-MOLD (1 RADIUS)
	PE060020		J-MOLD (VGSO OVN DOOR) XBRX
4	A2003400		DOOR GLASS BRACKET
5	PE060018		OVEN GLASS-TEMPERED, SCREENEDXBKX
6	PB070263		SUPERWOOL 1/2 X 19 X 3'
7	B2009171		OUTSIDE DOOR PANEL 30 SS
7	C9009172AL		OUTSIDE DOOR PANEL 30 XALX
7	C9009172BK		OUTSIDE DOOR PANEL 30 XBKX
7	C9009172BT		OUTSIDE DOOR PANEL 30 XBTX
7	C9009172BU		OUTSIDE DOOR PANEL 30 XBUX
7	C9009172CB		OUTSIDE DOOR PANEL 30 XCBX
7	C9009172EP		OUTSIDE DOOR PANEL 30 XEPX
7	C9009172FG		OUTSIDE DOOR PANEL 30 XFGX
7	C9009172GG		OUTSIDE DOOR PANEL 30 XGGX
7	C9009172LE		OUTSIDE DOOR PANEL 30 XLEX
7	C9009172MJ		OUTSIDE DOOR PANEL 30 XMJX
7	C9009172SG		OUTSIDE DOOR PANEL 30 XSGX
7	C9009172VB		OUTSIDE DOOR PANEL 30 XVBX
7	C9009172WH		OUTSIDE DOOR PANEL 30 XWHX
8	PE010016		NAMEPLATE, LOGO, PRO
8	PE010079		4.5 LOGO/VIKING PROF, BK/BR
8	PE010017		LOGO (VGSO, VEDO, VGDO, VUD) XWH/CHR
8	PE010080		4.5 LOGO/VIKING PROF XWH/BR
9	PD030006		CAPPED WASHER PAL NUT
10	PE030005		DOOR HANDLE - VGSC30/RC60/RC48RH
10	PE030012PVD		DOOR HANDLE - RH - (30/48) PVD
11	PE030001		BRACKET, DOOR, HANDLE
11	PE030001PVD		END CAP DOOR HANDLE XBR
12	PD020032		SRW-8(A)X3/8PH.WFR HD 7/16DIAXNICL
13	PD010019		BLT-1/4-20X3/8HEX WASHER SERATED
14	J10014440		30/48 DOOR HEAT SINK
15	PD020004		10X3/8PH.HD.TYPE 25 REPL PD040125
16	PB070014		DOOR GLASS SEAL STRIP - WINDOW DRS.
17	PE060008		GLASS REPL PE060009
NI	G3209182AL		DOOR ASSY 30 XALX
NI	G3209182ALBR		DOOR ASSY 30 XALBRX
NI	G3209182BK		DOOR ASSY 30 XBKX
NI	G3209182BKBR		DOOR ASSY 30 XBKBRX
NI	G3209182BT		DOOR ASSY 30 XBTX
NI	G3209182BTBR		DOOR ASSY 30 XBTBRX
NI	G3209182BU		DOOR ASSY 30 XBUX
NI	G3209182BUBR		DOOR ASSY 30 XBUBRX
NI	G3209182CB		DOOR ASSY 30 XCBX
NI	G3209182CBBR		DOOR ASSY 30 XCBBRX
NI	G3209182EP		DOOR ASSY 30 XEPX
NI	G3209182EPBR		DOOR ASSY 30 XEPBRX
NI	G3209182FG		DOOR ASSY 30 XFGX
NI	G3209182FGBR		DOOR ASSY 30 XFGBRX
NI	G3209182GG		DOOR ASSY 30 XGGX
NI	G3209182GGBR		DOOR ASSY 30 XGGBRX
NI	G3209182LE		DOOR ASSY 30 XLEX
NI	G3209182LEBR		DOOR ASSY 30 XLEBRX
NI	G3209182MJ		DOOR ASSY 30 XMJX
NI	G3209182MJBR		DOOR ASSY 30 XMJBRX
NI	G3209182SG		DOOR ASSY 30 XSGX
NI	G3209182SGBR		DOOR ASSY 30 XSGBRX
NI	G3209181SS		DOOR ASSY 30 XSSX
NI	G3209181SSBR		DOOR ASSY 30 XSSBRX

Ref #	Part Number	Qty.	Description
NI	G3209181SSBR		DOOR ASSY 30 XSSBRX
NI	G3209182VB		DOOR ASSY 30 XVBX
NI	G3209182VBBR		DOOR ASSY 30 XVBBRX
NI	G3209182WH		DOOR ASSY 30 XWHX



Ref #	Part Number	Qty.	Description
1	B2001782		BACKGUARD TOP (VGRT30)
2	PD020046		NO.8 X 1/2 SCREWS
3	PD020032		SRW-8(A)X3/8PH.WFR HD 7/16DIAXNICL
4	B3001775		BACKGUARD END CAP - RH (VGRT-6)
5	PD020002		10 X 1/2 PH.TR.HD.SMS.
6	A2001799		BACKGUARD BACK (6) VGRT30
7	B2001790		BACKGUARD FRONT 6 (VGRT-30)
8	B2001905		VENT BAFFLE-30 (VGRT)
9	B3001776		BACKGUARD END CAP - LH (VGRT-6)
NI	G3202341		BACKGUARD FRONT ASSY (VGSC/SS)



Ref #	Part Number	Qty.	Description
1	PE070748		30 VGIC WIRE HARNESS

1

NOTE: EACH "KIT" WILL CONTAIN SEVERAL SETS OF IGNITOR WIRES (AS SHOWN BELOW). THESE SHOULD BE BUNDLED TOGETHER WITH TAPE & LABELED WITH THE KIT PURC. # , AND THE MODEL USAGE #.



Ref #	Part Number	Qty.	Description
1	PE070711		IGNITOR WIRE KIT - VGIC305