

This Owner's Manual is provided and hosted by [Appliance Factory Parts](#).



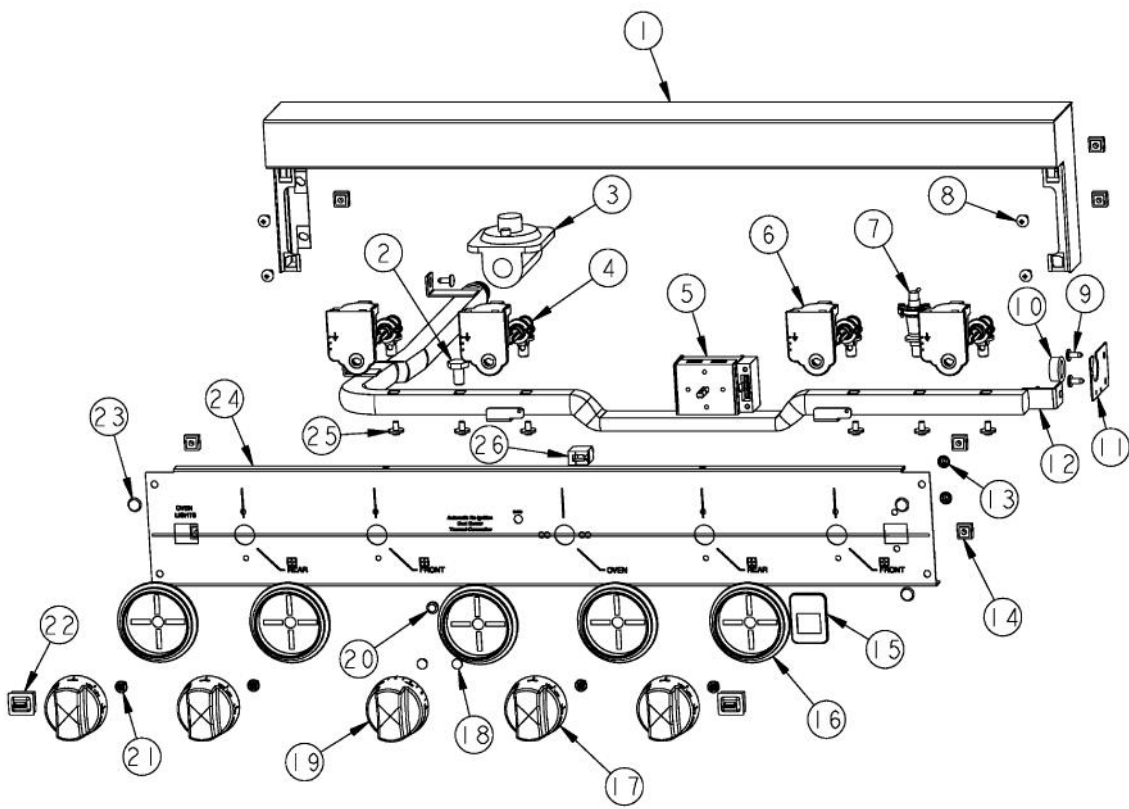
# VIKING VGIC306\_1 Owner's Manual

[Shop genuine replacement parts for VIKING VGIC306 1](#)

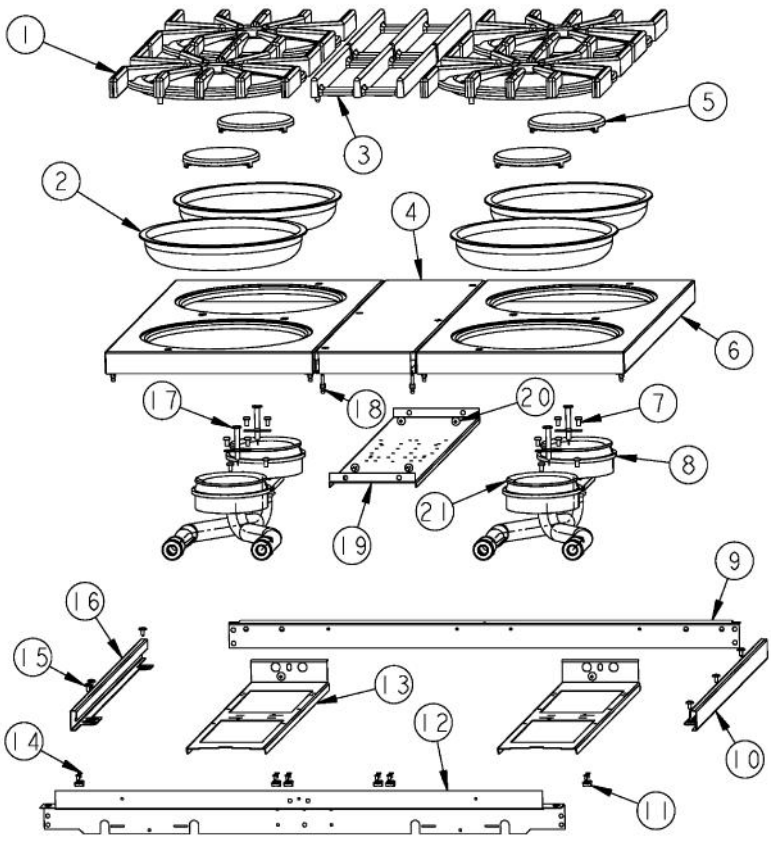


[Find Your VIKING Range Hoods Parts - Select From 411 Models](#)

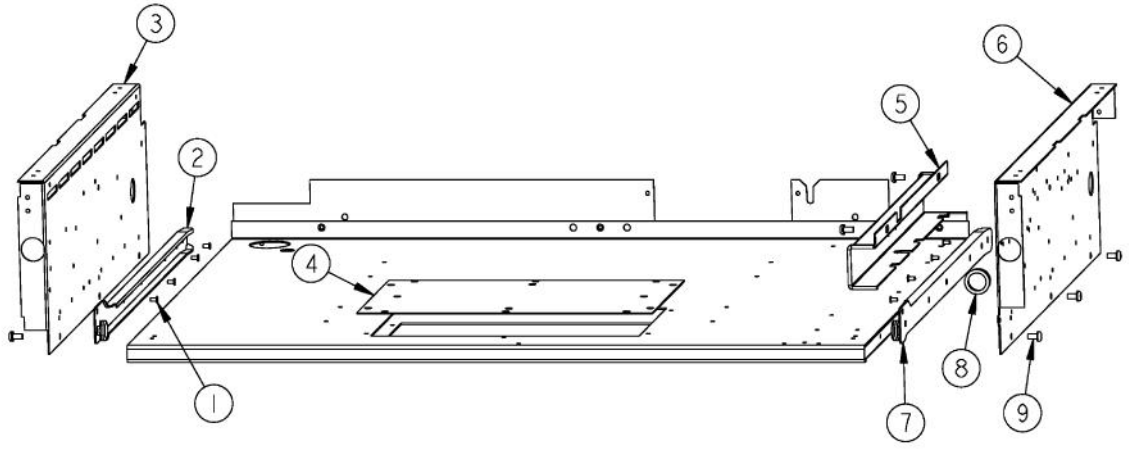
----- Manual continues below -----



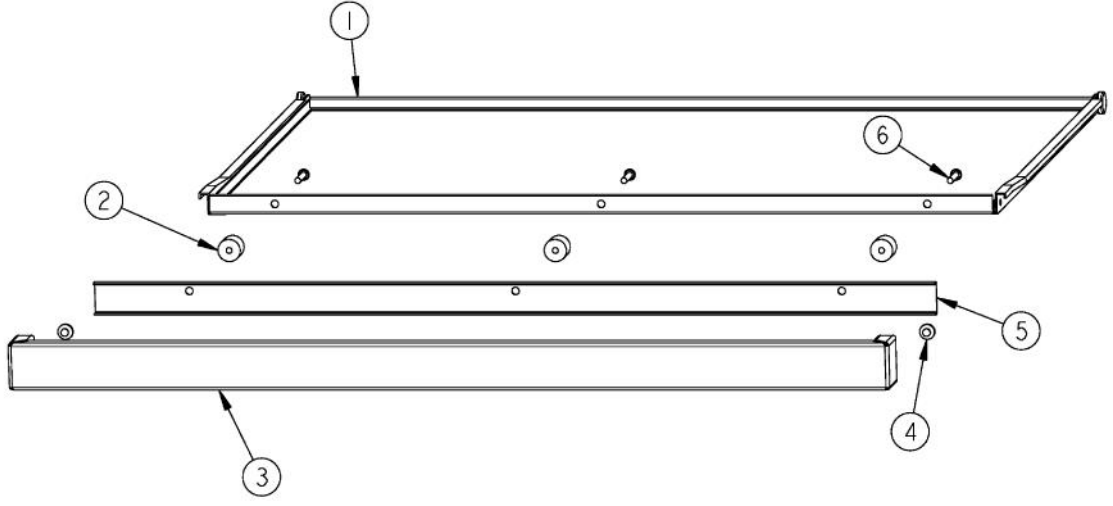
Ref #	Part Number	Qty.	Description
1	G3001406		LANDING LEDGE ASSY
2	PA010012		ROPER PLUG
3	PA070001		PRESSURE REGULATOR (NAT.)
4	PA010157		SUB TO 003515-000 - RANGE TOP BURNER VALVE
5	000336-000		ELECTRONIC THERMOSTAT - 2 POS.
6	PA020058		IRIS SINGLE SPARK MODULE
7	PB030007		SHUT OFF VALVE
8	PD010003		10-24 X 1/2 PH.TR.HD.SERD.M.S.
9	PD020002		10 X 1/2 PH.TR.HD.SMS.
10	PD040005		SNAP BUSHING - 7/8
11	A1001138		MANIFOLD BRKT
12	PA050113		MANIFOLD
13	PD030006		CAPPED WASHER PAL NUT
14	PD030005		SELF RETAINING NUT
15	PE010081		CONVECTION-LABEL/PLATE (CHROME)
15	PE010082		CONVECTION-LABEL/PLATE (XBRX)
16	PB010208		BEZEL, CHROME PLATE
16	PB010209		BEZEL BRASS
17	PB010206		VGSC,VGRC,VGRT TOP BURNER KNOB(BK)
17	PB010207		VGSC,VGRC,VGRT TOP BURNER KNOB(WH)
18	PD020044		NO.8-32 X 1/4 PH. TR. HD. M.S.
19	000447-000		THERMOSTAT KNOB SELF-CLEAN (BK)
19	000447-006		OVEN KNOB WITH BROIL(WH)
20	PE050023		OVEN IND. LIGHT (LENS & BEZEL)
21	PD020046		NO.8 X 1/2 SCREWS
22	PE050016		OVEN LIGHT SWITCH - XBKX (WES-GAR)
22	PE050017		OVEN LIGHT SWITCH - XWHX (WES-GAR)
23	PD020033		SRW-NO.10-24X1/2T(23)PH.WFR HD (NKL)
24	B9202840		CTRL PAN VGSC305-4B REPL B9201791
25	PD010012		VALVE BOLT 1/4-20 UNC-2B 5/16 M.S.
26	PE050024		OVEN IND. LIGHT (LIGHT HOUSING)



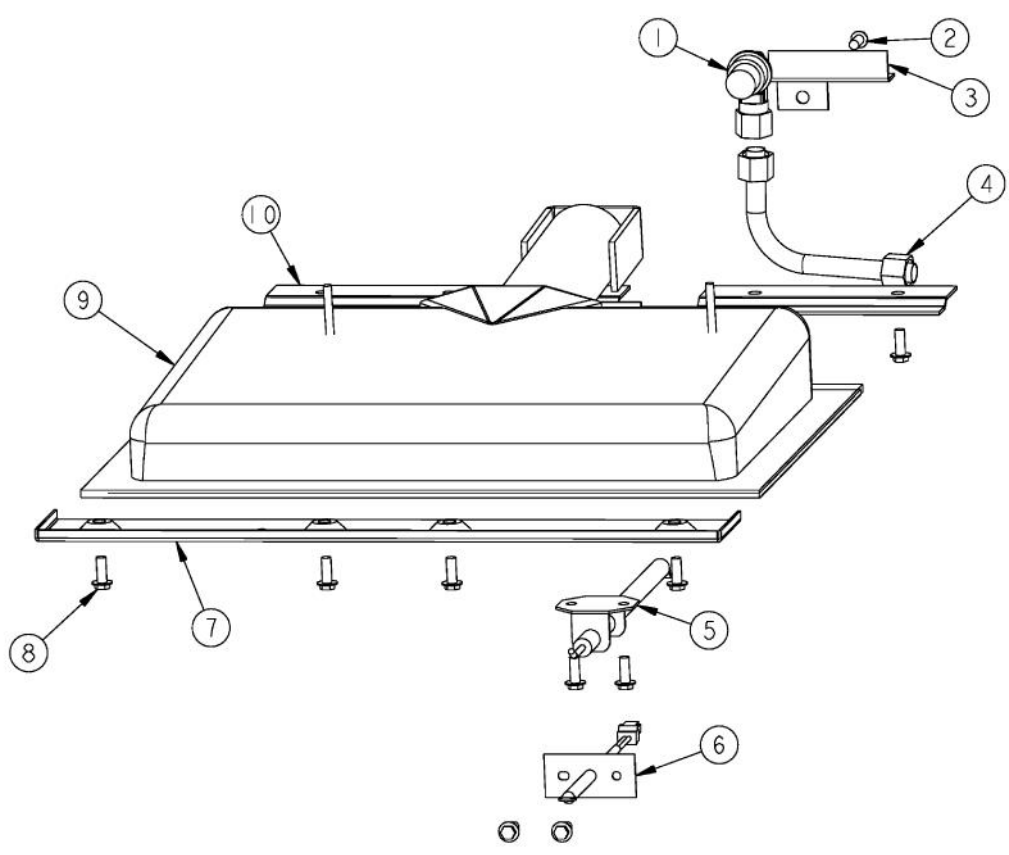
Ref #	Part Number	Qty.	Description
1	PA060037		GRATE BK REPL PA060024 (GEN.NO.2)
2	PA030002BK		BURNER BOWL (VGRT) XXBKXX
2	PA030002WH		BURNER BOWL (VGRT) XXWHXX
3	PA060049		CENTER GRATE - MATT BK
4	E9104416BK		CENTER SPACER (VGSC306) XBKX
4	E9104416WH		CENTER SPACER (VGSC306) XWHX
5	PA080015		BURNER CAP-VGRT XBKX
6	G50013584BK		GRATE SUPPORT SERVICE KIT (BK)
6	G50013584WH		GRATE SUPPORT SERVICE KIT (WH)
7	PD020004		10X3/8PH.HD.TYPE 25 REPL PD040125
8	PA080036		TOP BURNER REAR REPL PA080008
9	A2004456		REAR BURNER SUPT. (VGSC306)
10	B2002345		SIDE TRIM - RH (VGSS)
10	C9302345BR		SIDE TRIM - RH (VGSS) XBRX
11	PD010016		BALL STUD FASTEN
12	001530-000		FRONT BURNER SUPPORT
13	A2001112		BURNER SUPT (VGRT)
14	PC040010		POP RIVET
15	PD020032		SRW-8(A)X3/8PH.WFR HD 7/16DIAXNICL
16	B2002346		SIDE TRIM - LH (VGSS)
16	C9302346BR		SIDE TRIM - LH (VGSS) XBRX
17	PA020028		SPARK IGNITER
18	PD010017		BALL STUD (VGRT)
19	003107-000	1	CENTER SUPPORT
20	PD010003		10-24 X 1/2 PH.TR.HD.SERD.M.S.
21	PA080037		TOP BURNER FRONT REPL PA080007



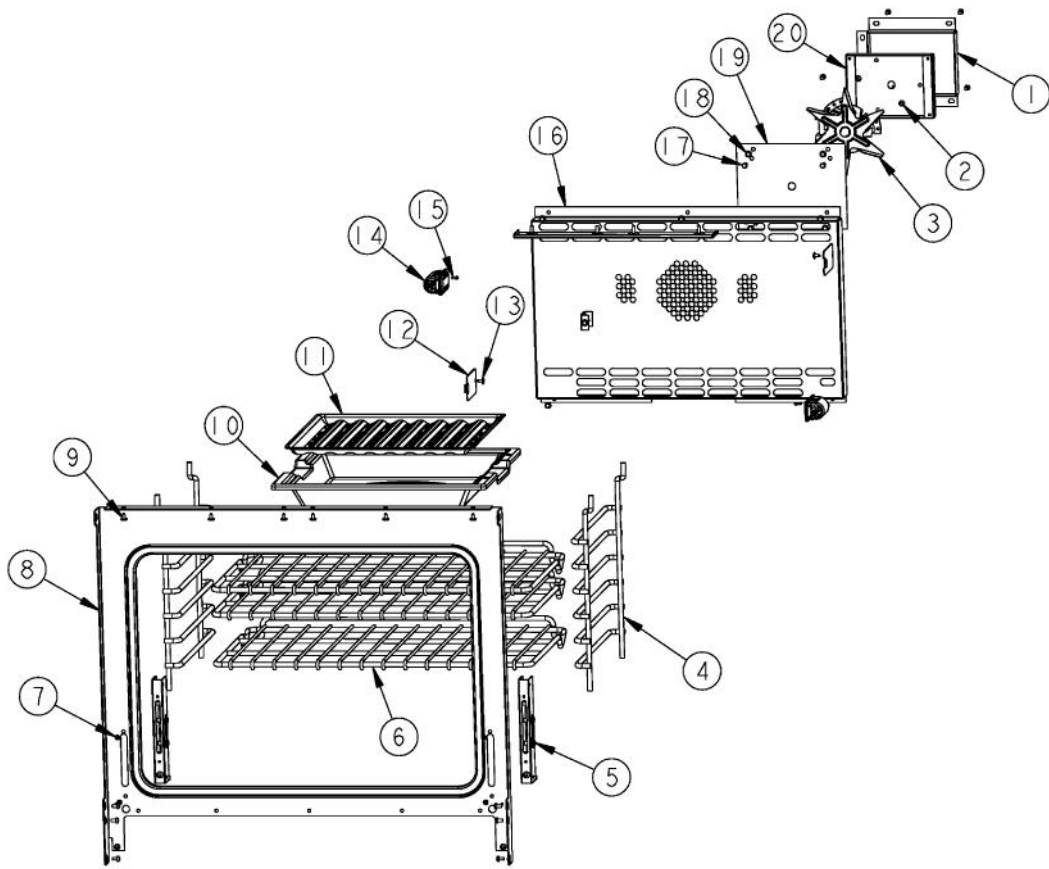
Ref #	Part Number	Qty.	Description
1	PC040010		POP RIVET
2	PK000007		DRIP TRAY GUIDE - LH (VGRT)
3	A2002491		BURNER BOX SIDE LH (VDSC)
4	A1006344		DOOR LOCK ACCESS PANEL 48
5	A2000210		WIRE CHANNEL
6	A2002490		BURNER BOX SIDE RH (VDSC)
7	PK000008		DRIP TRAY GUIDE - RH
8	PD040005		SNAP BUSHING - 7/8
9	PD020004		10X3/8PH.HD.TYPE 25 REPL PD040125



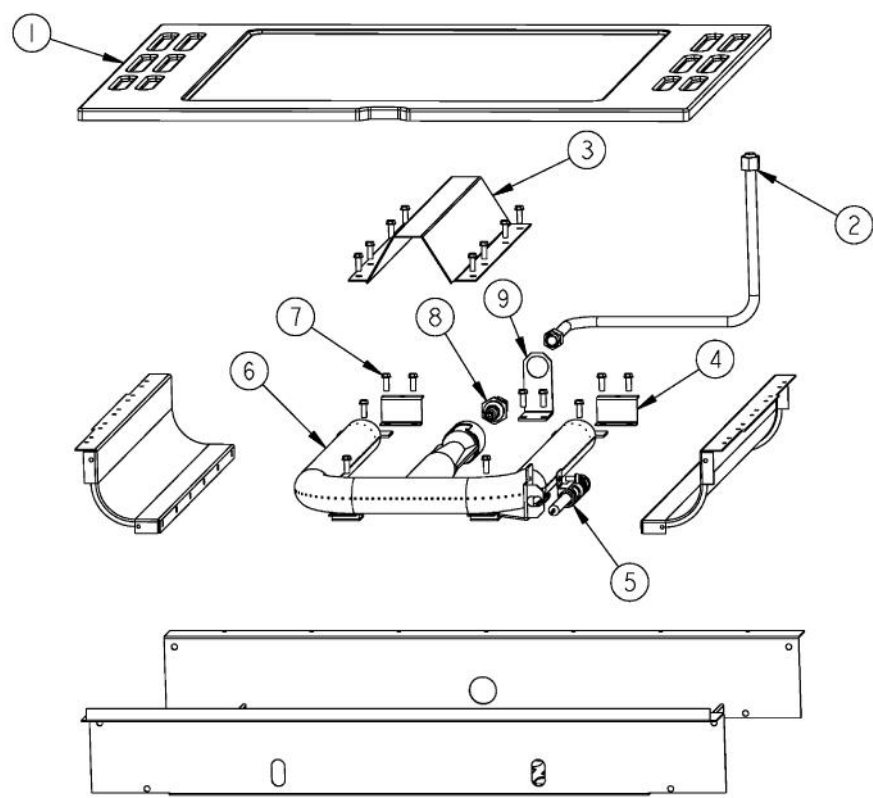
Ref #	Part Number	Qty.	Description
1	G30010454		30 DRIP TRAY ASSY
2	PD040028		BUSHING(.194ID/.750OD/.750LONG)
3	G30010695		DRIP TRAY HANDLE ASSY 30
3	G93011458PVD		DRIP TRAY HANDLE ASSY 30 PVD
4	PD040004		GROMMET BUMPER
5	A20010691		DRIP TRAY HANDLE BACK 30
6	PD020079		NO.10 X 1 1/4 PH. PAN HD. T(A) NYLOK



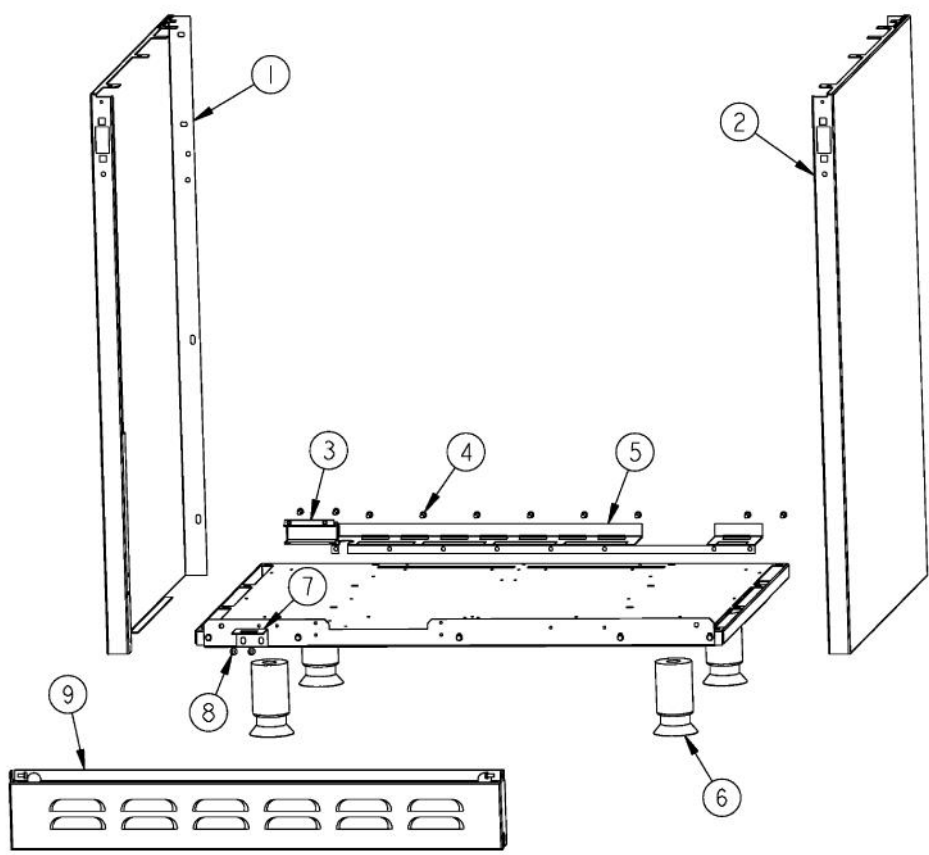
Ref #	Part Number	Qty.	Description
1	PB040178		90 DEGREE ORIFICE FITTING (VGSC306)
2	PD020060		10 X 1/2 (5/16)HEX WSHR HD.(T)A
3	001348-000		BROIL INSULATION RETAINER
4	000921-000		3/8 ALUM TUBING ELBOW
5	PB040171		BROIL IGNITION ELECTRODE
6	PE050206		RTD THERMOSTAT PROBE
7	B2002261		FRONT I/R BROILER SUPPORT BRACKET
8	PD020048		NO.10 X 1/2 TEK 410 SS SCREW
9	G3001876		IR BURNER ASSY (VGSC/RC) N/S
10	B2005589		REAR BROILER BRACKET



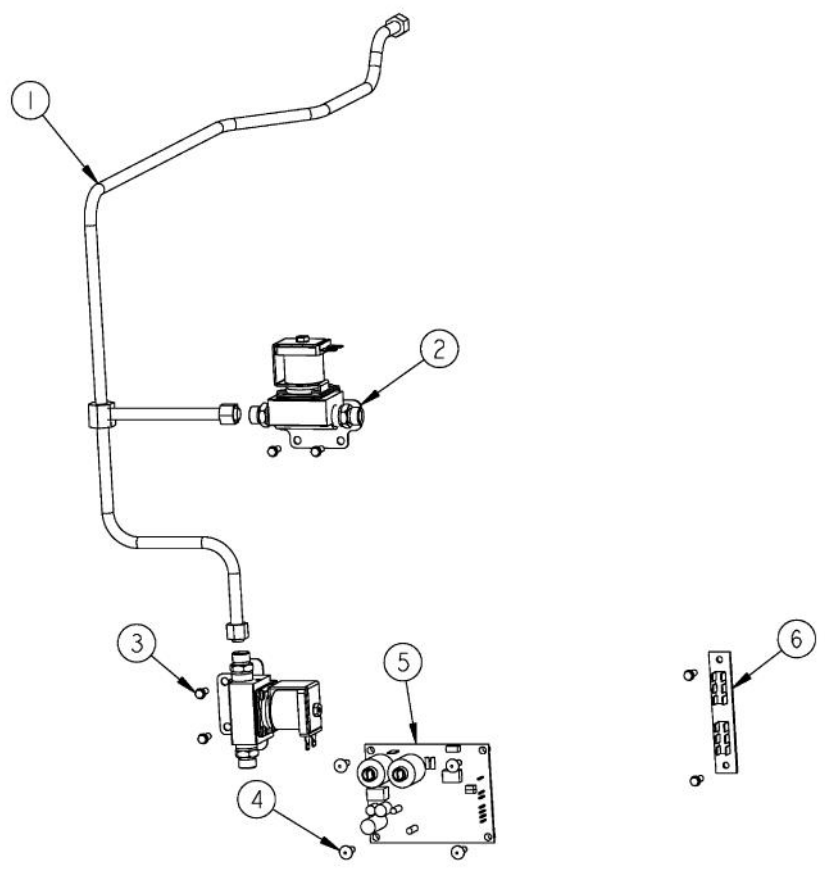
Ref #	Part Number	Qty.	Description
1	A2008467		INSULATION SHIELD
2	PD020004		10X3/8PH.HD.TYPE 25 REPL PD040125
3	PE050057		CONVECTION FAN (VGSC306)
4	PB060030		RACK SUPT REPL PB060010
5	PC020295		HINGE RECEIVER ASSEMBLY
6	PB060044		OVEN RK VDSC30/48RH REPL PB060019
7	PD020062		NO.8-32 X 3/8 PHMS TYPE 1
8	001311-000		FRONT FRAME 30 ASSY
9	PD020032		SRW-8(A)X3/8PH.WFR HD 7/16DIAXNICL
10	E9107933		BROILER PAN
11	E9107934		BROILER PAN INSERT
12	E91012614		LIGHT HOLE COVER
13	PD020063		SCREW-NO.8(A) X 3/8PH WFR HD/BK OXID
14	PE050238		120 VOLT SIDE HALOGEN LIGHT
15	PD020013		TYPE AB NO.6 X 3/8 PH PAN HD. SMS
16	G9104482		CONVECTION FAN COVER ASSY (VGSC306)
17	PD020060		10 X 1/2 (5/16)HEX WSHR HD.(T)A
18	PD020048		NO.10 X 1/2 TEK 410 SS SCREW
19	A1002596		CONVECTION FAN COVER (VDSC)
20	A2002595		CONVECTION FAN BOX (VDSC)



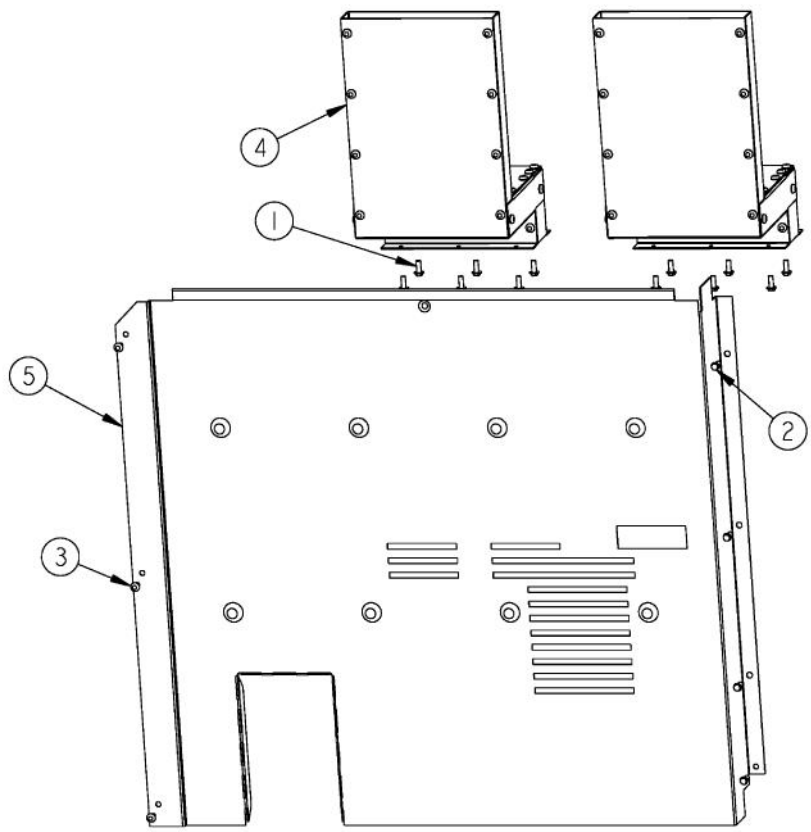
Ref #	Part Number	Qty.	Description
1	G9104438		OVEN BOTTOM PAN ASSY (VGSC306)
NI	A2004439	1	OVEN BOTTOM SHIELD (VGSC306)
2	000919-000		3/8 ALUM TUBING
3	A2004424		BURNER COVER (VGSC306)
4	B2004415		BURNER BRACKET (VGSC306)
5	PB040170		BAKE IGNITION ELECTRODE
6	PB050059		BAKE BURNER - NATURAL GAS
7	PD020060		10 X 1/2 (5/16)HEX WSHR HD.(T)A
8	PB040172		3/8 X 3/8 ORIFICE FITTING
9	A2004434		ORIFICE BRACKET (VGSC306)



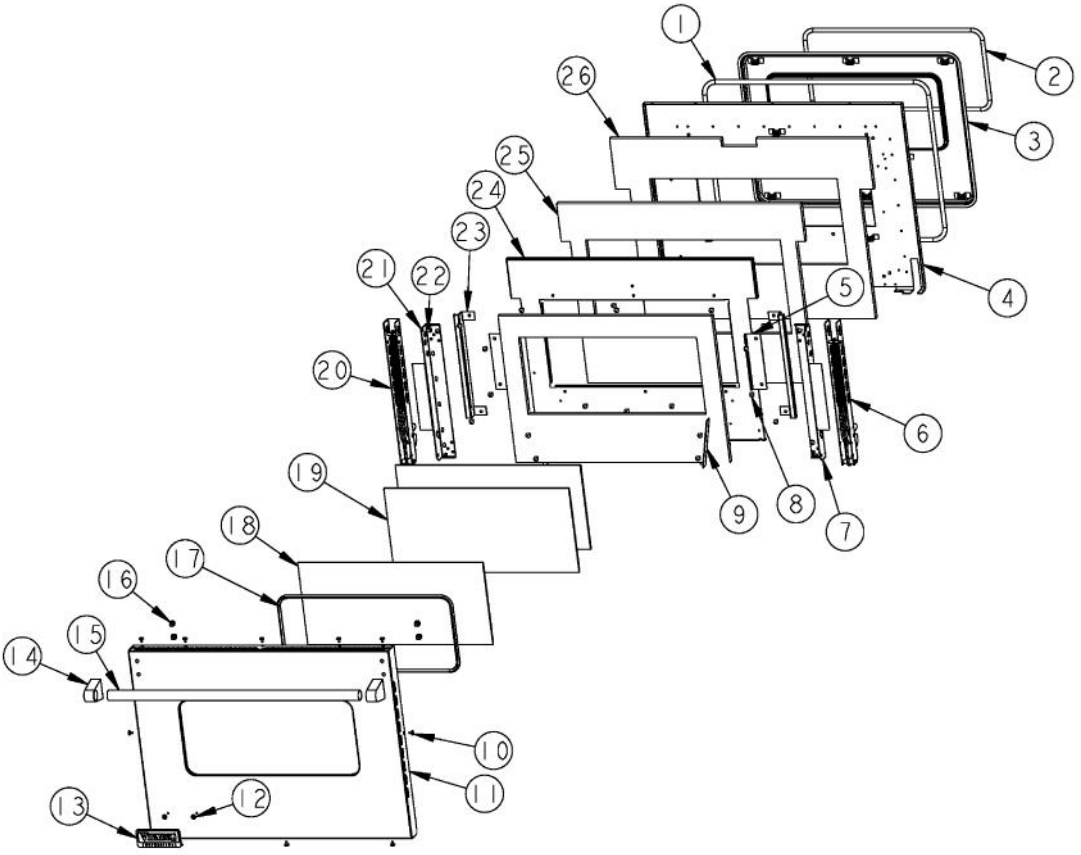
Ref #	Part Number	Qty.	Description
1	B20010180		O/S BODY PANEL - LH
1	C90010180AL		SIDE PANEL LH XALX
1	C90010180BK		SIDE PANEL LH XBKX
1	C90010180BT		SIDE PANEL LH XBTX
1	C90010180BU		SIDE PANEL LH XBUX
1	C90010180CB		SIDE PANEL LH XCBX
1	C90010180EP		SIDE PANEL LH XEPX
1	C90010180FG		SIDE PANEL LH XFGX
1	C90010180GG		SIDE PANEL LH XGGX
1	C90010180LE		SIDE PANEL LH XLEX
1	C90010180MJ		SIDE PANEL LH XMJX
1	C90010180SG		SIDE PANEL LH XSGX
1	C90010180VB		SIDE PANEL LH XVBX
1	C90010180WH		SIDE PANEL LH XWHX
2	B20010179		O/S BODY PANEL - RH
2	C90010179AL		SIDE PANEL RH XALX
2	C90010179BK		SIDE PANEL RH XBKX
2	C90010179BT		SIDE PANEL RH XBTX
2	C90010179BU		SIDE PANEL RH XBUX
2	C90010179CB		SIDE PANEL RH XCBX
2	C90010179EP		SIDE PANEL RH XEPX
2	C90010179FG		SIDE PANEL RH XFGX
2	C90010179GG		SIDE PANEL RH XGGX
2	C90010179LE		SIDE PANEL RH XLEX
2	C90010179MJ		SIDE PANEL RH XMJX
2	C90010179SG		SIDE PANEL RH XSGX
2	C90010179VB		SIDE PANEL RH XVBX
2	C90010179WH		SIDE PANEL RH XWHX
3	A2004481		WIRE CHANNEL RH (VGSC306)
4	PD020060		10 X 1/2 (5/16)HEX WSHR HD.(T)A
5	A2004465		AIR CHANNEL (VGSC306)
6	PC030017		4 LEG ASSY
7	A20012922		DISCONNECT POWER BRACKET
8	PD020004		10X3/8PH.HD.TYPE 25 REPL PD040125
9	B2001815		LOWER ACC PAN - (VGRC605)
9	C9001815AL		LOWER ACC PAN - XALX (VGRC605)
9	C9001815BK		LOWER ACC PAN - XBKX (VGRC605)
9	C9001815BT		LOWER ACC PAN - XBTX (VGRC605)
9	C9001815BU		LOWER ACC PAN - XBUX (VGRC605)
9	C9001815CB		LOWER ACC PAN - XCBX (VGRC605)
9	C9001815EP		LOWER ACC PAN - XEPX (VGRC605)
9	C9001815FG		LOWER ACC PAN - XFGX (VGRC605)
9	C9001815GG		LOWER ACC PAN - XGGX (VGRC605)
9	C9001815LE		LOWER ACC PAN - XLEX (VGRC605)
9	C9001815MJ		LOWER ACC PAN - XMJX (VGRC605)
9	C9001815SG		LOWER ACC PAN - XSGX (VGRC605)
9	C9001815VB		LOWER ACC PAN - XVBX (VGRC605)
9	C9001815WH		LOWER ACC PAN - XWHX (VGRC605)



Ref #	Part Number	Qty.	Description
1	001026-000		3/8 MANIFOLD TUBING
2	PA010139		F J T VALVE REPL PA010079
3	PD020060		10 X 1/2 (5/16)HEX WSHR HD.(T)A
4	PD020014		10X3/4 PH TR HD SMS
5	PA020056		TYTRONICS DSI MODULE
6	PE050001		TERMINAL BOARD

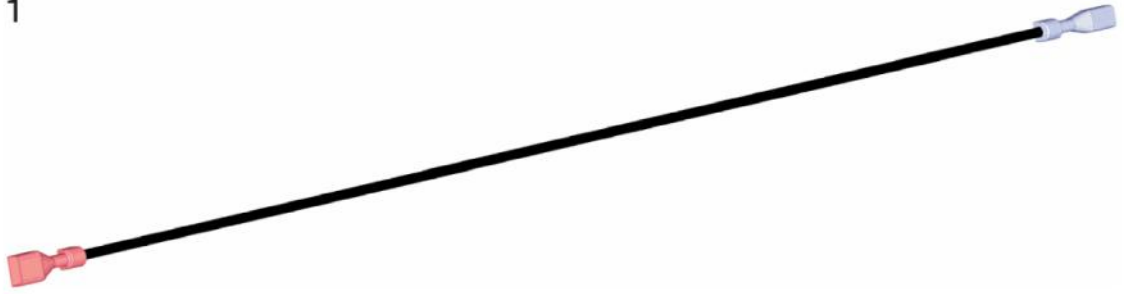


Ref #	Part Number	Qty.	Description
1	PD020048		NO.10 X 1/2 TEK 410 SS SCREW
2	PD020060		10 X 1/2 (5/16)HEX WSHER HD.(T)A
3	PD020004		10X3/8PH.HD.TYPE 25 REPL PD040125
4	000967-000		FLUE ASSY
5	A2004457		OVEN O/S BACK (VGSC306)

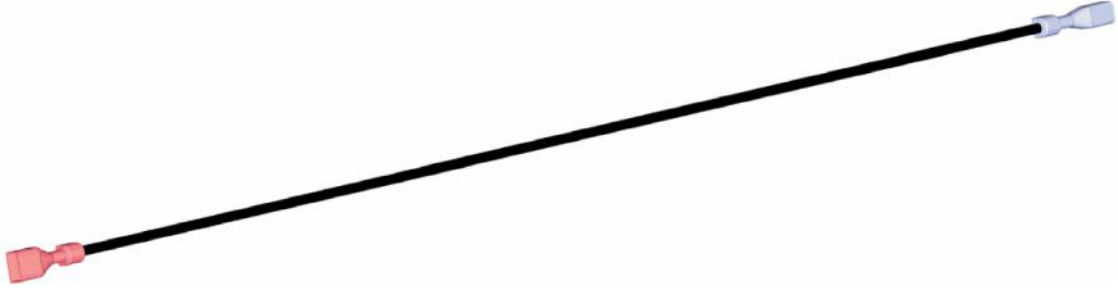


Ref #	Part Number	Qty.	Description
1	000042-000		30 DOOR GASKET
2	PB070150		FIBERGLASS ROPE, 3/8 DIA.
3	001142-000		PLUG, DOOR, ASM, PORCELAIN
4	001141-000		LINER, DOOR, ASM, PORCELAIN
5	A2002189		DOOR GLASS STANDOFF (VDSC)
6	PC020188		DOOR HINGE
7	000075-000		DOOR HINGE BRACKET
8	PD020002		10 X 1/2 PH.TR.HD.SMS.
9	A2002497		DOOR GUIDE ANGLE VDSC
10	PD020032		SRW-8(A)X3/8PH.WFR HD 7/16DIAXNICL
11	B2002188		O/S DOOR PANEL XSSX (VDSC30)
11	C9002188AL		O/S DOOR PANEL-XALX (VDSC30)
11	C9002188BK		O/S DOOR PANEL-XBKX (VDSC30)
11	C9002188BT		O/S DOOR PANEL-XBTX (VDSC30)
11	C9002188BU		O/S DOOR PANEL-XBUX (VDSC30)
11	C9002188CB		O/S DOOR PANEL-XCBX (VDSC30)
11	C9002188EP		O/S DOOR PANEL-XEPX (VDSC30)
11	C9002188FG		O/S DOOR PANEL-XFGX (VDSC30)
11	C9002188GG		O/S DOOR PANEL-XGGX (VDSC30)
11	C9002188LE		O/S DOOR PANEL-XLEX (VDSC30)
11	C9002188MJ		O/S DOOR PANEL-XMJX (VDSC30)
11	C9002188SG		O/S DOOR PANEL-XSGX (VDSC30)
11	C9002188VB		O/S DOOR PANEL-XVBX (VDSC30)
11	C9002188WH		O/S DOOR PANEL-XWHX (VDSC30)
12	PD030006		CAPPED WASHER PAL NUT
13	PE010016		NAMEPLATE, LOGO, PRO
13	PE010079		4.5 LOGO/VIKING PROF, BK/BR
13	PE010017		LOGO (VGSO,VEDO,VGDO,VUD) XWH/CHR
13	PE010080		4.5 LOGO/VIKING PROF XWH/BR
14	PE030001		BRACKET, DOOR, HANDLE
14	PE030001PVD		END CAP DOOR HANDLE XBR
15	PE030005		DOOR HANDLE - VGSC30/RC60/RC48RH
15	PE030012PVD		DOOR HANDLE - RH - (30/48) PVD
16	PD010019		BLT-1/4-20X3/8HEX WASHER SERATED
17	PE060031		J-MOLD (LARGE WINDOW)
17	PE060045		J-MOLD (LARGE WINDOW) XBRX
18	PE060030		GLASS-OUTER DOOR BK SCREENED,TEMP
19	PE060039		GLASS-HEAT TREATED (HB2) VDSC
20	PC020223		DOOR HINGE (LONG SPRING) NSF
21	000932-000		DOOR HINGE BRACKET
22	PD020004		10X3/8PH.HD.TYPE 25 REPL PD040125
23	A2002367		DOOR GLASS BRKT
24	A20015315		DOOR INSULATION RETAINER
25	002559-000		30 DOOR INSULATION
26	PB070145		SUPERWOOL 5 X 24 X 3`

1

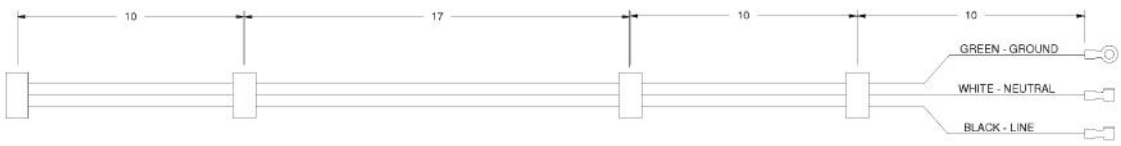


2

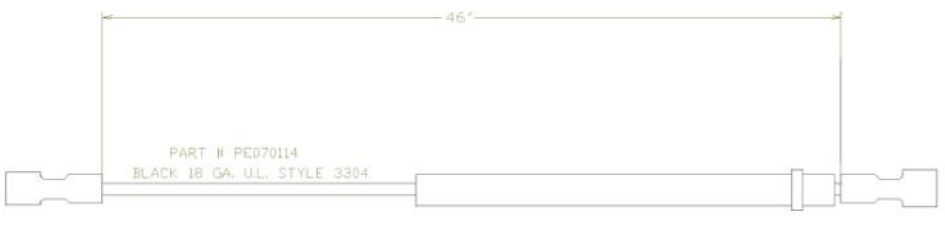
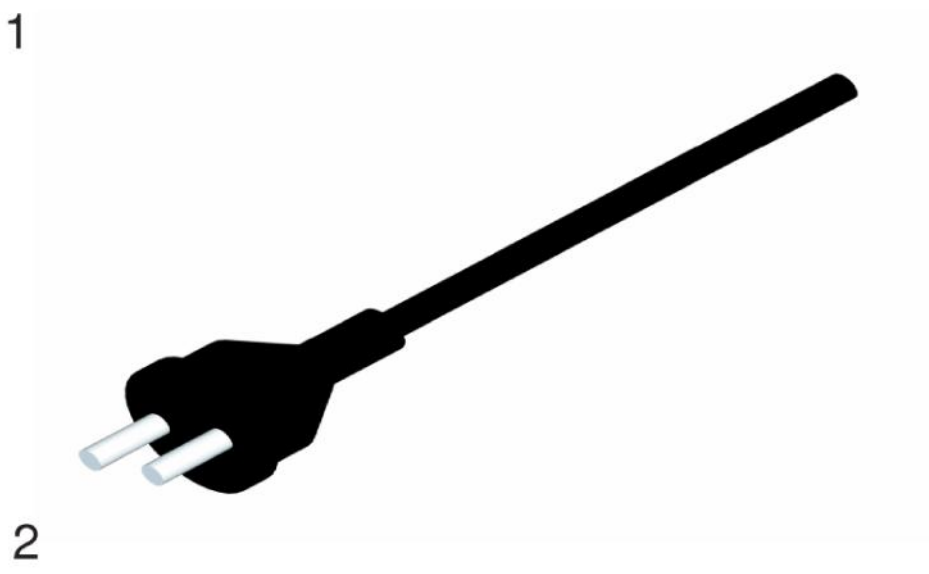


Ref #	Part Number	Qty.	Description
1	000647-000		IRIS IGNITOR WIRE, FRONT BURNER
2	000648-000		IRIS IGNITOR WIRE, BACK BURNER

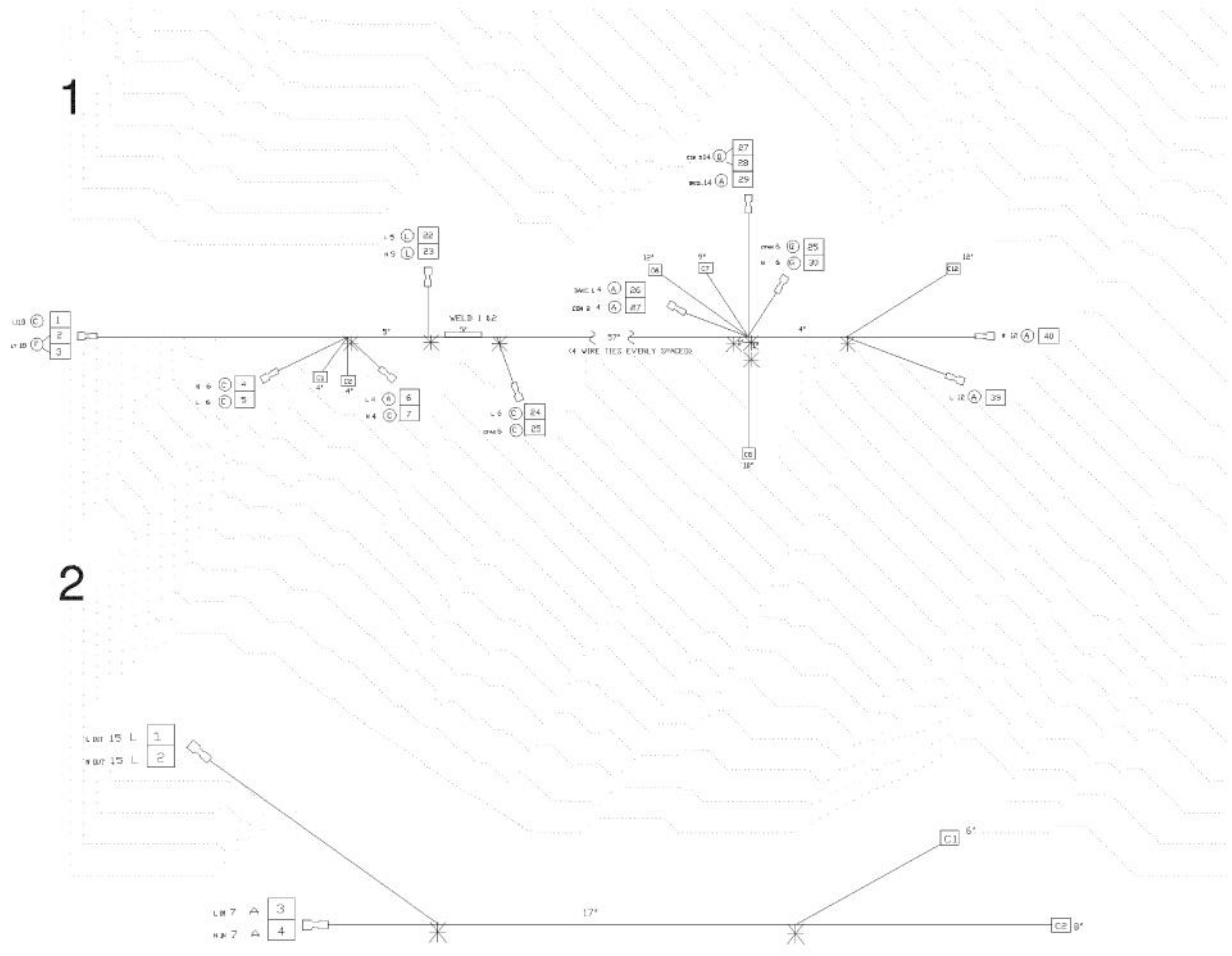
1



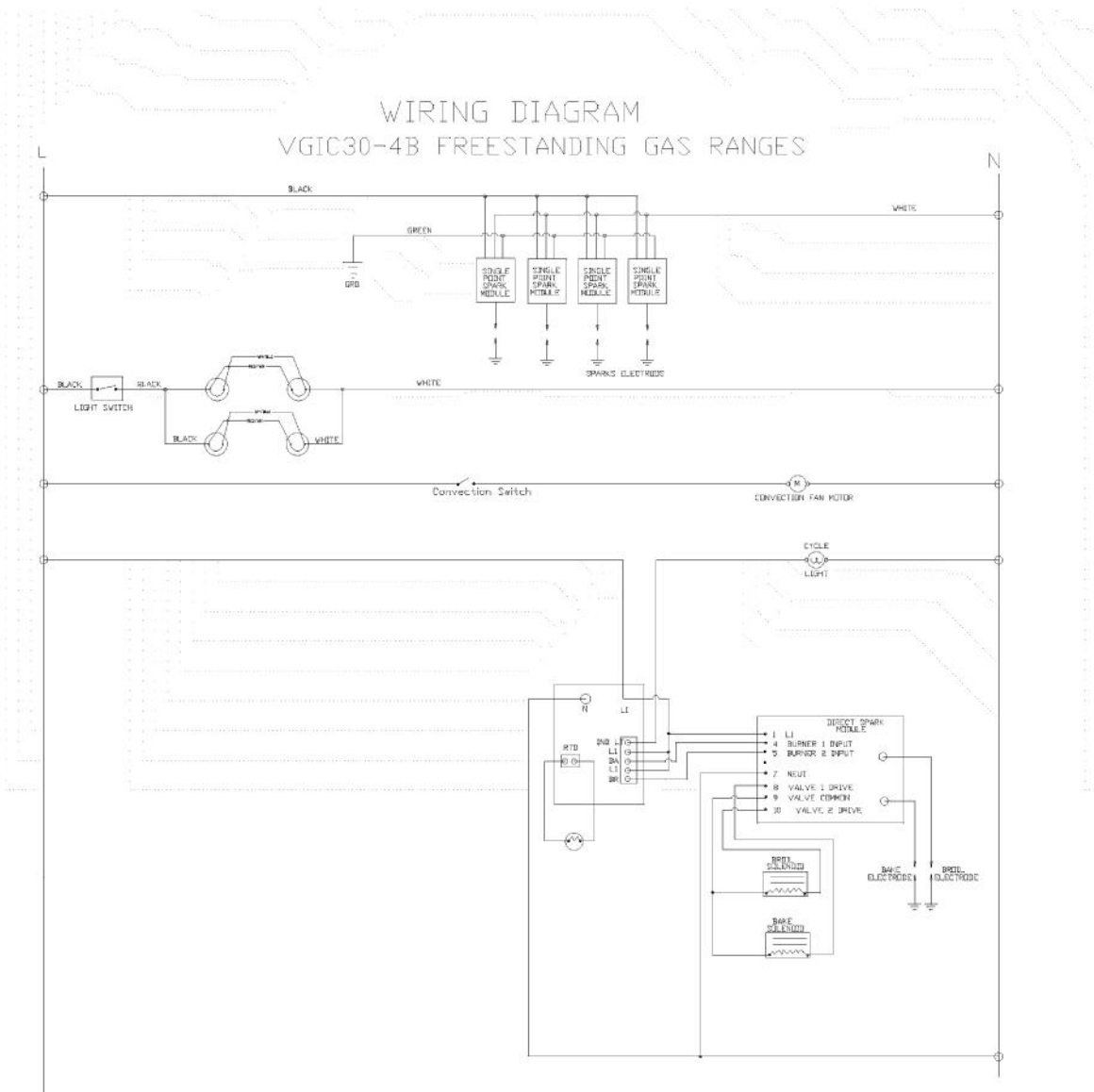
Ref #	Part Number	Qty.	Description
1	PE070889		IRIS HARNESS - 30



Ref #	Part Number	Qty.	Description
1	G4008493		SUPPLY CORD ASSY- VGSU
2	001911-000		WIRE, ASSY, BAKE IGNITOR
3	001914-000		WIRE, ASSY, BROIL IGNITOR



Ref #	Part Number	Qty.	Description
1	001502-000		VGIC308 WIRE HARNESS
2	001754-000		HARNESS POWER DISCONNECT



Ref #	Part Number	Qty.	Description
-------	-------------	------	-------------

---