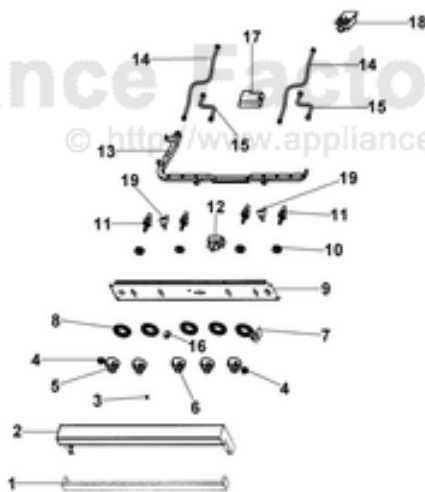


This Owner's Manual is provided and hosted by [Appliance Factory Parts](http://www.appliancefactoryparts.com).



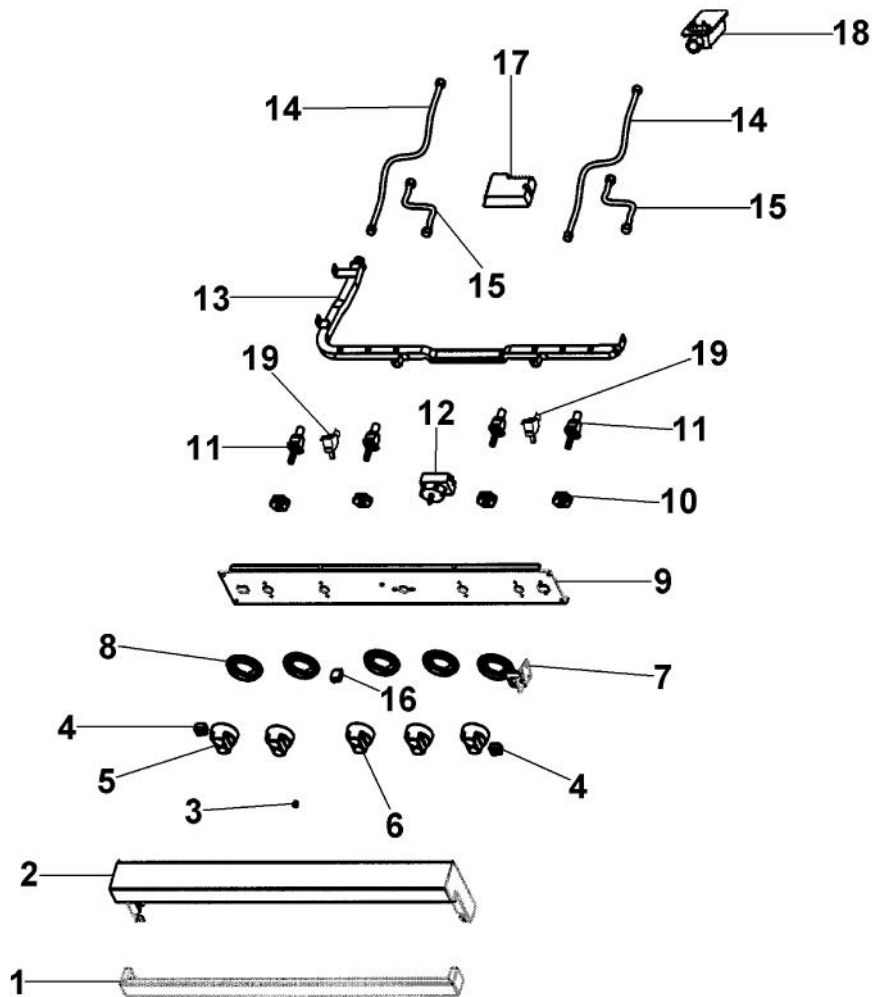
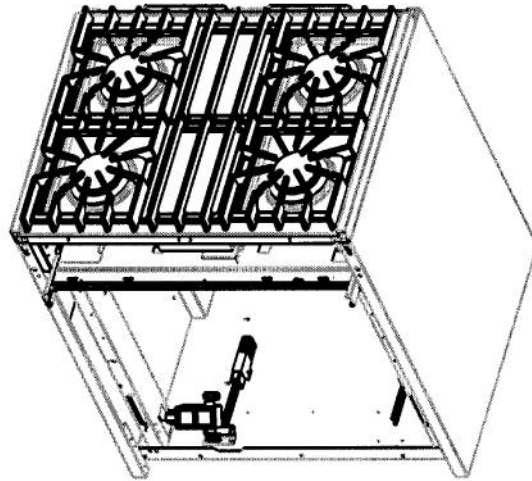
VIKING VGIC307 Owner's Manual

[Shop genuine replacement parts for VIKING VGIC307](#)

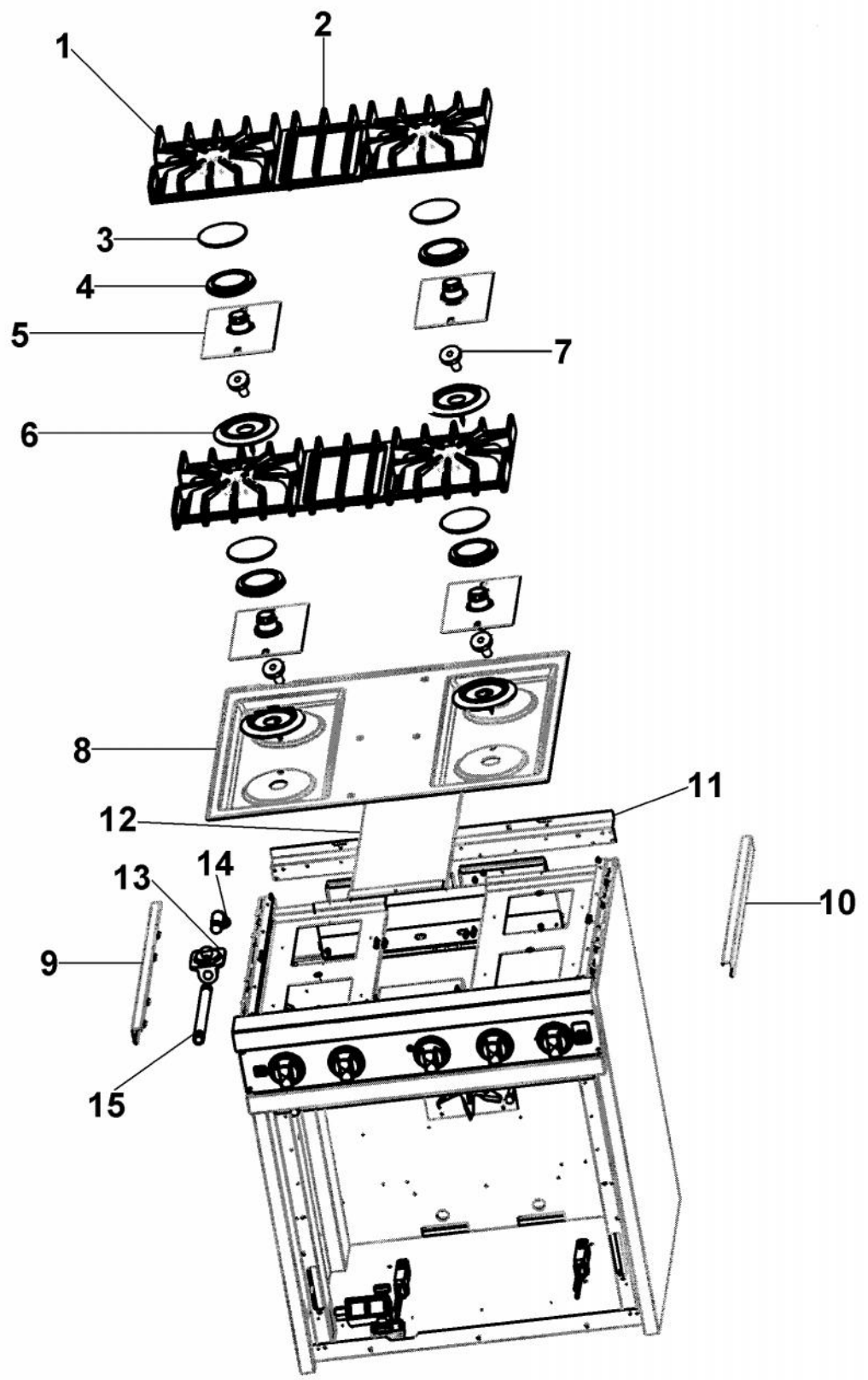


[Find Your VIKING Range Hoods Parts - Select From 411 Models](#)

----- Manual continues below -----

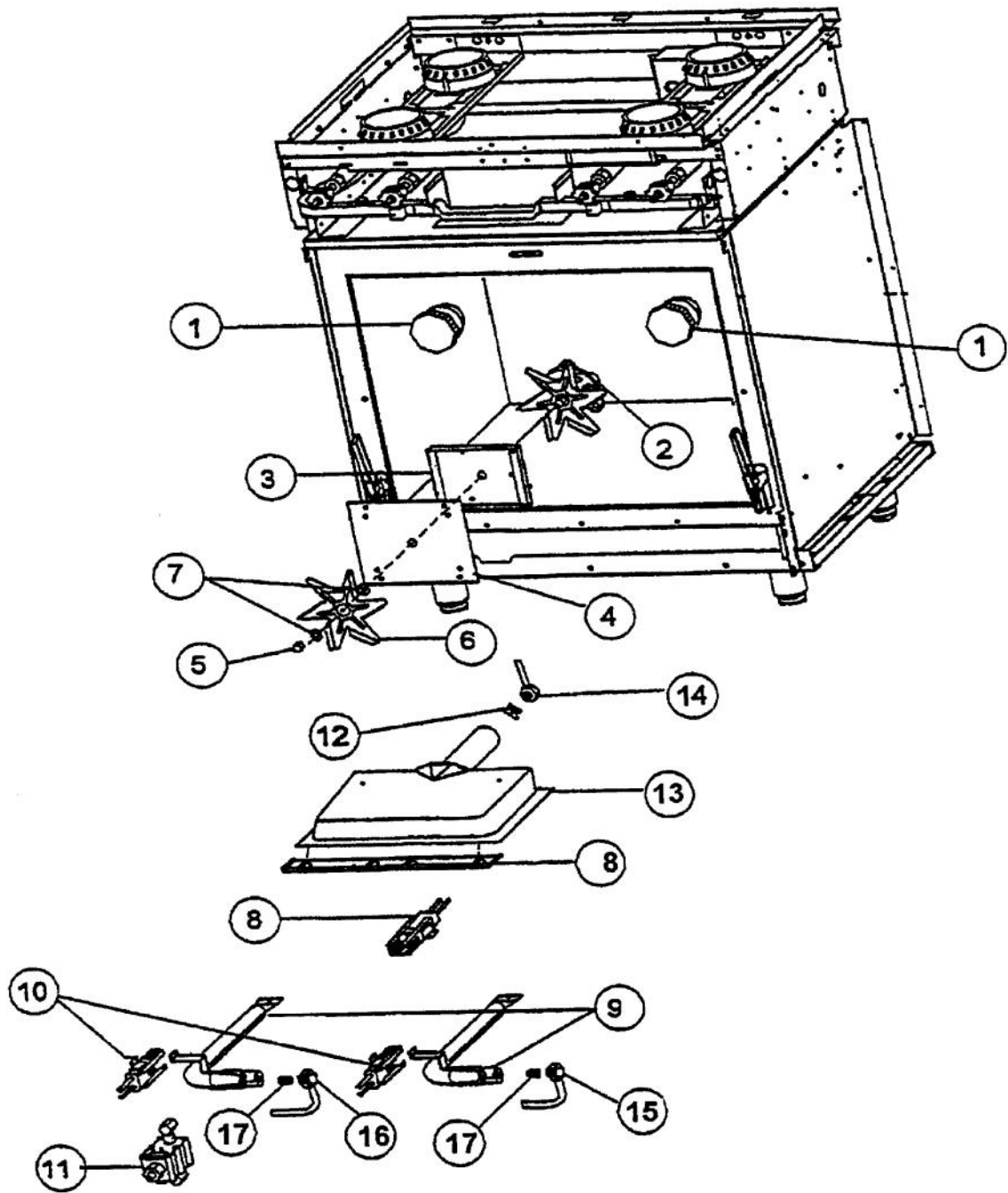


| Ref # | Part Number | Qty. | Description |
|-------|------------------------|------|----------------------------------------------------------------------------|
| 1 | G50014406 G50014407 | | 30 FALSE TRAY HANDLE SVC. KIT (SS) 30 FALSE TRAY HANDLE SVC. KIT (BR) |
| 2 | G3006766 | | SEALED LANDING LEDGE ASSY |
| 3 | PE050023 | | OVEN IND. LIGHT (LENS & BEZEL) |
| 4 | PE050016 PE050017 | | OVEN LIGHT SWITCH - XBKX (WES-GAR) OVEN LIGHT SWITCH - XWHX (WES-GAR) |
| 5 | PB010206 PB010207 | | VGSC,VGRC,VGRT TOP BURNER KNOB(BK) VGSC,VGRC,VGRT TOP BURNER KNOB(WH) |
| 6 | PB010099 PB010100 | | T/STAT B/B KNOB BK REPL PB010039BKX THERMOSTAT BAKE/BROIL KNOB XWHX N/S |
| 7 | PE010081 PE010082 | | CONVECTION-LABEL/PLATE (CHROME) CONVECTION-LABEL/PLATE (XBRX) |
| 8 | PB010171 PB010172 | | BEZEL - SS BEZEL NEW BR REPL PB010107 |
| 9 | B9202840 | | CTRL PAN VGSC305-4B REPL B9201791 |
| 10 | PA020015 | | SPARK IGNITION SWITCH (BEFORE 2/23/05) |
| 10 | PA020045 | | IGNITOR SWITCH (AFTER 2/23/05) |
| 11 | G50012679 PA010158 | | SEALED BURNER VALVE KIT SUB TO 003517-000 - SEALED BURNER FLARE VALVE |
| 12 | PB010036 | | THERMOSTAT BAKE/BROIL |
| 13 | PA050113 | | MANIFOLD |
| 14 | PB020156 | | 16`` FLEX TUBING |
| 15 | PB020168 | | BURNER TUBING |
| 16 | PE050024 | | OVEN IND. LIGHT (LIGHT HOUSING) |
| 17 | PA020047 | | INVENSYS 0+4 RE-IGNITION SPARK MODULE |
| NI | PE070128 | | SUPPLY CORD (VGRT/SC/SS/RC) |
| 18 | PB010083 | | SINGLE THERMAL VALVE LH (OVEN) |
| 19 | PB030002 PB030007 | | SUB TO 003862-000 - SHUTOFF VALVE SHUT OFF VALVE |

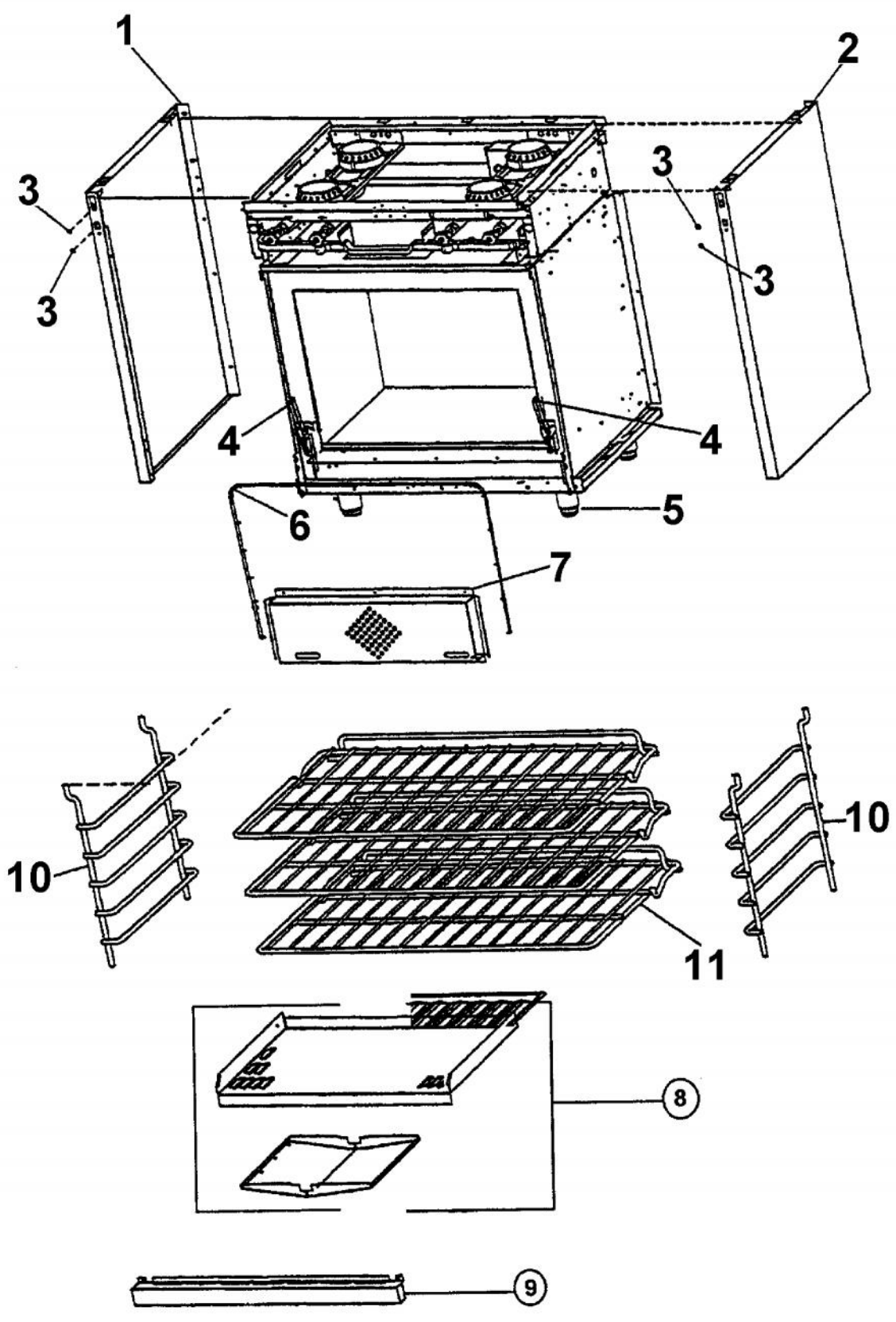


| Ref # | Part Number | Qty. | Description |
|-------|-------------|------|-------------------------------------------|
| 1 | PA060054 | | SEALED GRATE XBKX |
| | PA060062 | | SEALED GRATE GRAY |
| 2 | PA060060 | | SEALED COOKTOP CENTER GRATE XBKX |
| | PA060061 | | SEALED COOKTOP CENTER GRATE GRAY |
| 3 | PA080045 | | BURNER CAP - BK? |
| | PA080086 | | D BURNER CAP XMATTE GRAYX |
| 4 | PB050063 | | BURNER HEAD |
| 5 | G3206743 | | BURNER BODY ASSY (VDSC3074B) |
| 6 | PB050062 | | BURNER BASE |
| | PB040264 | | GLAZED ELECTRODE REPLACED BY PB050081 |
| 7 | PA010100 | | VENTURI D (VDSC3074B) |
| NI | PB070124 | | GASKET (VDSC3074B) REPLACED BY PB050081 |
| 8 | G3206723AL | | MAIN TOP WELD ASSY. - AL (BEFORE 6/11/03) |
| | | | (BEFORE 8/14/03) |
| | G3206723 | | 30 MAIN TOP ASSY (VDSC3074B) |
| | | | (BEFORE 8/14/03) |
| | G3206723BT | | MAIN TOP WELD ASSY. - BT (BEFORE 6/11/03) |
| | | | (BEFORE 8/14/03) |
| | G3206723CB | | MAIN TOP WELD ASSY. - CB (BEFORE 6/11/03) |
| | | | (BEFORE 8/14/03) |
| | G3206723EP | | MAIN TOP WELD ASSY. - EP (BEFORE 6/11/03) |
| | | | (BEFORE 8/14/03) |
| | G3206723FG | | MAIN TOP WELD ASSY. - FG (BEFORE 6/11/03) |
| | | | (BEFORE 8/14/03) |
| | G3206723GG | | MAIN TOP WELD ASSY. - GG (BEFORE 6/11/03) |
| | | | (BEFORE 8/14/03) |
| | G3206723LE | | MAIN TOP WELD ASSY. - LE (BEFORE 6/11/03) |
| | | | (BEFORE 8/14/03) |
| | G3206723MJ | | MAIN TOP WELD ASSY. - MJ (BEFORE 6/11/03) |
| | | | (BEFORE 8/14/03) |
| | G3206723SG | | MAIN TOP WELD ASSY. - SG (BEFORE 6/11/03) |
| | | | (BEFORE 8/14/03) |
| | G3206723VB | | MAIN TOP WELD ASSY. - VB (BEFORE 6/11/03) |
| | | | (BEFORE 8/14/03) |
| | G3206723WH | | 30 MAIN TOP ASSY (VDSC3074B) |
| | | | (BEFORE 8/14/03) |
| | E9107413AL | | MAIN TOP WELD ASSY. - AL (AFTER 6/11/03) |
| | | | (AFTER 8/14/03) |
| | E9107413BK | | MAIN TOP 30 XBKX |
| | | | (AFTER 8/14/03) |
| | E9107413BT | | MAIN TOP WELD ASSY. - BT (AFTER 6/11/03) |
| | | | (AFTER 8/14/03) |
| | E9107413CB | | MAIN TOP WELD ASSY. - CB (AFTER 6/11/03) |
| | | | (AFTER 8/14/03) |
| | E9107413EP | | MAIN TOP WELD ASSY. - EP (AFTER 6/11/03) |
| | | | (AFTER 8/14/03) |
| | E9107413FG | | MAIN TOP WELD ASSY. - FG (AFTER 6/11/03) |
| | | | (AFTER 8/14/03) |
| | E9107413GG | | MAIN TOP WELD ASSY. - GG (AFTER 6/11/03) |
| | | | (AFTER 8/14/03) |
| | E9107413LE | | MAIN TOP WELD ASSY. - LE (AFTER 6/11/03) |
| | | | (AFTER 8/14/03) |
| | E9107413MJ | | MAIN TOP WELD ASSY. - MJ (AFTER 6/11/03) |
| | | | (AFTER 8/14/03) |
| | E9107413SG | | MAIN TOP 30 XSGX |
| | | | (AFTER 8/14/03) |
| | E9107413VB | | MAIN TOP WELD ASSY. - VB (AFTER 6/11/03) |
| | | | (AFTER 8/14/03) |
| | E9107413WH | | MAIN TOP 30 XWHX |
| | | | (AFTER 8/14/03) |

| Ref # | Part Number | Qty. | Description |
|-------|-------------|------|---------------------------------------------|
| 9 | B2006724 | | (AFTER 8/14/03) SEALED TOPSIDE TRIM |
| | C9306724BR | | (BEFORE 8/14/03) SEALED TRIM RH XBRX |
| | B2007868 | | (BEFORE 8/14/03) IC SEALED SIDE TRIM |
| | C9307868BR | | (AFTER 8/14/03) IC SEALED SIDE TRIM XBRX |
| 10 | B2006724 | | (AFTER 8/14/03) SEALED TOPSIDE TRIM |
| | C9306724BR | | (BEFORE 8/14/03) SEALED TRIM RH XBRX |
| | B2007868 | | (BEFORE 8/14/03) IC SEALED SIDE TRIM |
| | C9307868BR | | (AFTER 8/14/03) IC SEALED SIDE TRIM XBRX |
| 11 | A2002364 | | REAR BURNER SUPT VGSC/SS30 |
| 12 | A2006744 | | CENTER SUPPORT (VDSC3074B) |
| 13 | PA070001 | | PRESSURE REGULATOR (NAT.) |
| 14 | PB050085 | | 1/2" STREET ELBOW |
| 15 | PB020162 | | 1/2 NPT STEEL PIPE-10 1/8 |
| NI | G50013867 | | VGIC307 BURNER SUPPORT SERVICE KIT |

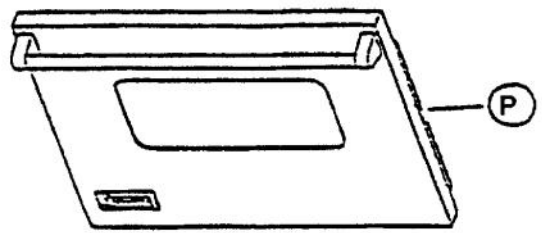
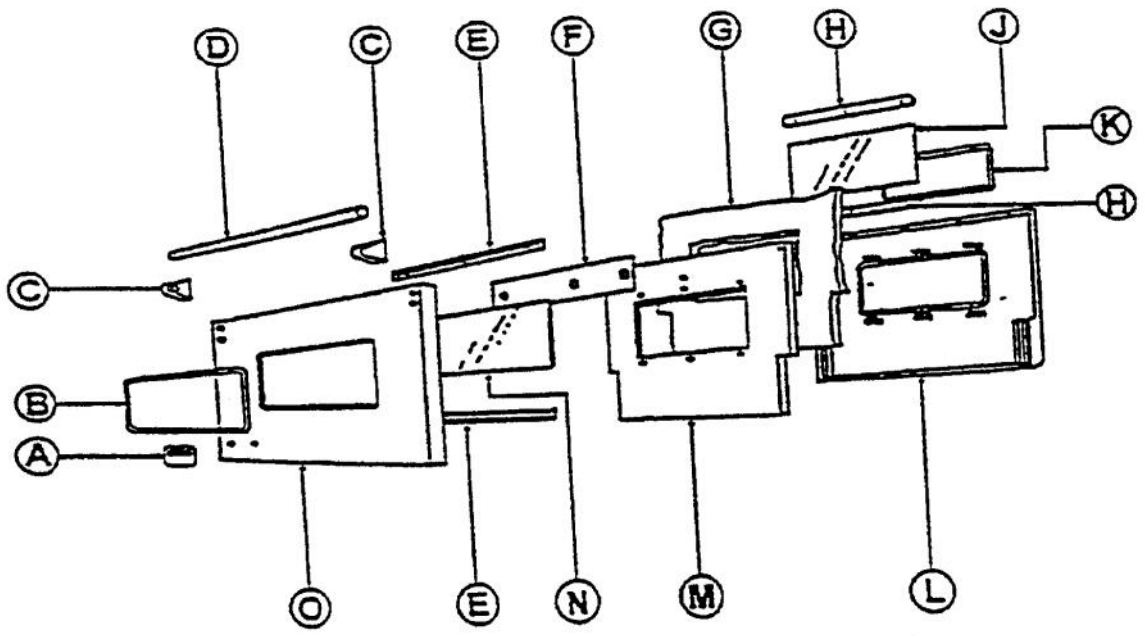


| Ref # | Part Number | Qty. | Description |
|-------|-------------|------|-------------------------------------|
| 1 | PE050009 | | OVEN LIGHT SOCKET - 36 BUILT-IN |
| 2 | PE050057 | | CONVECTION FAN (VGSC306) |
| | G9101371 | | CONVECTION FAN COVER ASSY(VGSC305) |
| 3 | A2002595 | | CONVECTION FAN BOX (VDSC) |
| 4 | A1002596 | | CONVECTION FAN COVER (VDSC) |
| 5 | PD030035 | | CONVECTION FAN NUT |
| 6 | PE050035 | | CONVECTION FAN BLADE |
| 7 | PD040030 | | CONVECTION FAN WASHER |
| 8 | PB040001 | | IGNITOR - (ALL RANGES) |
| 9 | PB050012 | | OVEN BURNER REPL PB050009 |
| 10 | PB040001 | | IGNITOR - (ALL RANGES) |
| 11 | PB010084 | | DUAL THERMAL BI-MTL GAS CTRL VALVE |
| 12 | PB040040 | | ORIFICE-IR BURNER (VGSC) |
| | PB040027 | | IR BUR.SPUD ORF. - NO.56 LP |
| 13 | G3001876 | | IR BURNER ASSY (VGSC/RC) N/S |
| 14 | PB020061 | | TUBING - BROIL-SAFETY VALVE(VGIS48) |
| NI | PD030018 | | PALNUT - 3/4-16 |
| 15 | PB020023 | | BAKE BURNER TUBE RH OVEN |
| 16 | PB020022 | | BAKE BURNER TUBE LH OVEN |
| 17 | PB040057 | | ORIFICE HOOD-NO.46 |
| | PB040059 | | ORIFICE HOOD-NO.54 9701B1654 |
| 18 | B2001448 | | IR BROIL SUPT (FRONT) |
| NI | B2002261 | | FRONT I/R BROILER SUPPORT BRACKET |
| NI | PB020050 | | SHUTOFF-SINGLE/DUAL VALVE (SS48/36) |
| NI | PB020028 | | OVEN TUBING (MANIFOLD TO VALVE) |
| NI | A2008467 | | INSULATION SHIELD |
| NI | PE070460 | | WIRING HARNESS - VGIC307 |
| NI | PB020041 | | SHUTOFF TUBING |
| NI | 003326-000 | 1 | PLATE, BASE, LWR, 36 |



| Ref # | Part Number | Qty. | Description |
|-------|-------------|------|-------------------------------|
| 1 | B2006750 | | O/S BODY PANEL-LH (VDSC3074) |
| | C9006750AL | | O/S BODY PANEL-LH XALX (VDSC) |
| | C9006750BK | | O/S BODY PANEL-LH XBKX (VDSC) |
| | C9006750BT | | O/S BODY PANEL-LH XBTX (VDSC) |
| | C9006750BU | | O/S BODY PANEL-LH XBUX (VDSC) |
| | C9006750CB | | O/S BODY PANEL-LH XCBX (VDSC) |
| | C9006750EP | | O/S BODY PANEL-LH XEPX (VDSC) |
| | C9006750FG | | O/S BODY PANEL-LH XFGX (VDSC) |
| | C9006750GG | | O/S BODY PANEL-LH XGGX (VDSC) |
| | C9006750LE | | O/S BODY PANEL-LH XLEX (VDSC) |
| | C9006750MJ | | O/S BODY PANEL-LH XMJX (VDSC) |
| | C9006750SG | | O/S BODY PANEL-LH XSGX (VDSC) |
| | C9006750VB | | O/S BODY PANEL-LH XVBX (VDSC) |
| | C9006750WH | | O/S BODY PANEL-LH XWHX (VDSC) |
| 2 | B2006749 | | O/S BODY PANEL-RH (VDSC3074B) |
| | C9006749AL | | O/S BODY PANEL-RH XALX (VDSC) |
| | C9006749BK | | O/S BODY PANEL-RH XBKX (VDSC) |
| | C9006749BT | | O/S BODY PANEL-RH XBTX (VDSC) |
| | C9006749BU | | O/S BODY PANEL-RH XBUX (VDSC) |
| | C9006749CB | | O/S BODY PANEL-RH XCBX (VDSC) |
| | C9006749EP | | O/S BODY PANEL-RH XEPX (VDSC) |
| | C9006749FG | | O/S BODY PANEL-RH XFGX (VDSC) |
| | C9006749GG | | O/S BODY PANEL-RH XGGX (VDSC) |
| | C9006749LE | | O/S BODY PANEL-RH XLEX (VDSC) |
| | C9006749MJ | | O/S BODY PANEL-RH XMJX (VDSC) |
| | C9006749SG | | O/S BODY PANEL-RH XSGX (VDSC) |
| | C9006749VB | | O/S BODY PANEL-RH XVBX (VDSC) |
| | C9006749WH | | O/S BODY PANEL-RH XWHX (VDSC) |
| | B2007870 | | IC SEALED LH SIDE PANEL |
| | C9007870AL | | IC SEALED LH SIDE PANEL XALX |
| | C9007870BK | | IC SEALED LH SIDE PANEL XBKX |
| | C9007870BT | | IC SEALED LH SIDE PANEL XBTX |
| | C9007870BU | | IC SEALED LH SIDE PANEL XBUX |
| | C9007870CB | | IC SEALED LH SIDE PANEL XCBX |
| | C9007870EP | | IC SEALED LH SIDE PANEL XEPX |
| | C9007870FG | | IC SEALED LH SIDE PANEL XFGX |
| | C9007870GG | | IC SEALED LH SIDE PANEL XGGX |
| | C9007870LE | | IC SEALED LH SIDE PANEL XLEX |
| | C9007870MJ | | IC SEALED LH SIDE PANEL XMJX |
| | C9007870SG | | IC SEALED LH SIDE PANEL XSGX |
| | C9007870VB | | IC SEALED LH SIDE PANEL XVBX |
| | C9007870WH | | IC SEALED LH SIDE PANEL XWHX |
| | B2007869 | | IC SEALED RH SIDE PANEL |
| | C9007869AL | | IC SEALED RH SIDE PANEL XALX |
| | C9007869BK | | IC SEALED RH SIDE PANEL XBKX |
| | C9007869BT | | IC SEALED RH SIDE PANEL XBTX |
| | C9007869BU | | SEALED RH SIDE PANEL XBUX |
| | C9007869CB | | IC SEALED RH SIDE PANEL XCBX |
| | C9007869EP | | IC SEALED RH SIDE PANEL XEPX |
| | C9007869FG | | IC SEALED RH SIDE PANEL XFGX |
| | C9007869GG | | IC SEALED RH SIDE PANEL XGGX |
| | C9007869LE | | IC SEALED RH SIDE PANEL XLEX |
| | C9007869MJ | | IC SEALED RH SIDE PANEL XMJX |
| | C9007869SG | | IC SEALED RH SIDE PANEL XSGX |
| | C9007869VB | | IC SEALED RH SIDE PANEL XVBX |
| | C9007869WH | | IC SEALED RH SIDE PANEL XWHX |
| 3 | PD030005 | | SELF RETAINING NUT |
| 4 | PC020007 | | HINGE ASSY (NO COLOR) |
| 5 | PC030017 | | 4 LEG ASSY |
| 6 | PB070030 | | OVEN DR GASKET-30 & 36 |

| Ref # | Part Number | Qty. | Description |
|-------|-------------|------|------------------------------------|
| 6 | PB070030 | | OVEN DR GASKET-30 & 36 |
| 7 | G9101371 | | CONVECTION FAN COVER ASSY(VGSC305) |
| 8 | G3204251 | | OVEN BOTTOM ASSY - RH OVEN, 48 |
| 9 | B2001815 | | LOWER ACC PAN - (VGRC605) |
| | C9001815AL | | LOWER ACC PAN - XALX (VGRC605) |
| | C9001815BK | | LOWER ACC PAN - XBKX (VGRC605) |
| | C9001815BT | | LOWER ACC PAN - XBTX (VGRC605) |
| | C9001815BU | | LOWER ACC PAN - XBUX (VGRC605) |
| | C9001815CB | | LOWER ACC PAN - XCBX (VGRC605) |
| | C9001815EP | | LOWER ACC PAN - XEPX (VGRC605) |
| | C9001815FG | | LOWER ACC PAN - XFGX (VGRC605) |
| | C9001815GG | | LOWER ACC PAN - XGGX (VGRC605) |
| | C9001815LE | | LOWER ACC PAN - XLEX (VGRC605) |
| | C9001815LN | | LOWER ACC PAN - XLNX (VGRC605) |
| | C9001815MJ | | LOWER ACC PAN - XMJX (VGRC605) |
| | C9001815PL | | LOWER ACC PAN - XPLX (VGRC605) |
| | C9001815SG | | LOWER ACC PAN - XSGX (VGRC605) |
| | C9001815VB | | LOWER ACC PAN - XVBX (VGRC605) |
| | C9001815WH | | LOWER ACC PAN - XWHX (VGRC605) |
| NI | A2008456 | | HINGE POCKET COVER,VGIC RH |
| NI | A2008457 | | HINGE POCKET COVER,VGIC LH |
| NI | PM010027 | | BACKGUARD ASSEMBLY |
| 10 | PB060030 | | RACK SUPT REPL PB060010 |
| 11 | PB060038 | | RACK REPL PB060011 |



| Ref # | Part Number | Qty. | Description |
|-------|--------------|------|-------------------------------------|
| A | PE010016 | | NAMEPLATE, LOGO, PRO |
| | PE010079 | | 4.5 LOGO/VIKING PROF, BK/BR |
| | PE010017 | | LOGO (VGSO,VEDO,VGDO,VUD) XWH/CHR |
| | PE010080 | | 4.5 LOGO/VIKING PROF XWH/BR |
| B | PE060007 | | J-MOLD (1 RADIUS) |
| | PE060020 | | J-MOLD (VGSO OVN DOOR) XBRX |
| C | PE030001 | | BRACKET, DOOR, HANDLE |
| | PE030001PVD | | END CAP DOOR HANDLE XBR |
| D | PE030005 | | DOOR HANDLE - VGSC30/RC60/RC48RH |
| | PE030012PVD | | DOOR HANDLE - RH - (30/48) PVD |
| E | A2001447 | | OUTER DOOR GLASS RETAINER |
| F | A1001381 | | DOOR HEAT BAFFLE (VGSC/VGSS) |
| G | PB070034 | | INSULATION-TRS-10 1 X 20 X 3' |
| H | A2001480 | | INNER DOOR GLASS RETAINER |
| J | PE060008 | | GLASS REPL PE060009 |
| K | PB070014 | | DOOR GLASS SEAL STRIP - WINDOW DRS. |
| L | G9103408 | | INSIDE DOOR LINER (VGSC30) |
| M | A2001718 | | DOOR INSUL RETAINER (VGSC/SS) W/W |
| N | PE060018 | | OVN GLASS-TEMPERED,SCREENEDXBKX |
| O | B2009171 | | OUTSIDE DOOR PANEL 30 SS |
| | C9009172AL | | OUTSIDE DOOR PANEL 30 XALX |
| | C9009172BK | | OUTSIDE DOOR PANEL 30 XBKX |
| | C9009172BT | | OUTSIDE DOOR PANEL 30 XBTX |
| | C9009172BU | | OUTSIDE DOOR PANEL 30 XBUX |
| | C9009172CB | | OUTSIDE DOOR PANEL 30 XCBX |
| | C9009172EP | | OUTSIDE DOOR PANEL 30 XEPX |
| | C9009172FG | | OUTSIDE DOOR PANEL 30 XFGX |
| | C9009172GG | | OUTSIDE DOOR PANEL 30 XGGX |
| | C9009172LE | | OUTSIDE DOOR PANEL 30 XLEX |
| | C9009172LN | | OUTER DOOR PANEL - LN |
| | C9009172MJ | | OUTSIDE DOOR PANEL 30 XMJX |
| | C9009172PL | | OUTER DOOR PANEL - PL |
| | C9009172SG | | OUTSIDE DOOR PANEL 30 XSGX |
| | C9009172VB | | OUTSIDE DOOR PANEL 30 XVBX |
| | C9009172WH | | OUTSIDE DOOR PANEL 30 XWHX |
| P | G3209182AL | | DOOR ASSY 30 XALX |
| | G3209182ALBR | | DOOR ASSY 30 XALBRX |
| | G3209182BK | | DOOR ASSY 30 XBKX |
| | G3209182BKBR | | DOOR ASSY 30 XBKBRX |
| | G3209182BT | | DOOR ASSY 30 XBTX |
| | G3209182BTBR | | DOOR ASSY 30 XBTBRX |
| | G3209182BU | | DOOR ASSY 30 XBUX |
| | G3209182BUBR | | DOOR ASSY 30 XBUBRX |
| | G3209182CB | | DOOR ASSY 30 XCBX |
| | G3209182CBBR | | DOOR ASSY 30 XCBBRX |
| | G3209182EP | | DOOR ASSY 30 XEPX |
| | G3209182EPBR | | DOOR ASSY 30 XEPBRX |
| | G3209182FG | | DOOR ASSY 30 XFGX |
| | G3209182FGBR | | DOOR ASSY 30 XFGBRX |
| | G3209182GG | | DOOR ASSY 30 XGGX |
| | G3209182GGBR | | DOOR ASSY 30 XGGBRX |
| | G3209182LE | | DOOR ASSY 30 XLEX |
| | G3209182LEBR | | DOOR ASSY 30 XLEBRX |
| | G3209182LN | | COMPLETE DOOR ASSY. - LN |
| | G3209182LNBR | | COMPLETE DOOR ASSY. - LNBR |
| | G3209182MJ | | DOOR ASSY 30 XMJX |
| | G3209182MJBR | | DOOR ASSY 30 XMJBRX |
| | G3209182PL | | COMPLETE DOOR ASSY. - PL |
| | G3209182PLBR | | COMPLETE DOOR ASSY. - PLBR |
| | G3209182SG | | DOOR ASSY 30 XSGX |

| Ref # | Part Number | Qty. | Description |
|-------|--------------|------|---------------------|
| | G3209182SG | | DOOR ASSY 30 XSGX |
| | G3209182SGBR | | DOOR ASSY 30 XSGBRX |
| | G3209181SS | | DOOR ASSY 30 XSSX |
| | G3209181SSBR | | DOOR ASSY 30 XSSBRX |
| | G3209182VB | | DOOR ASSY 30 XVBX |
| | G3209182VBBR | | DOOR ASSY 30 XVBBRX |
| | G3209182WH | | DOOR ASSY 30 XWHX |