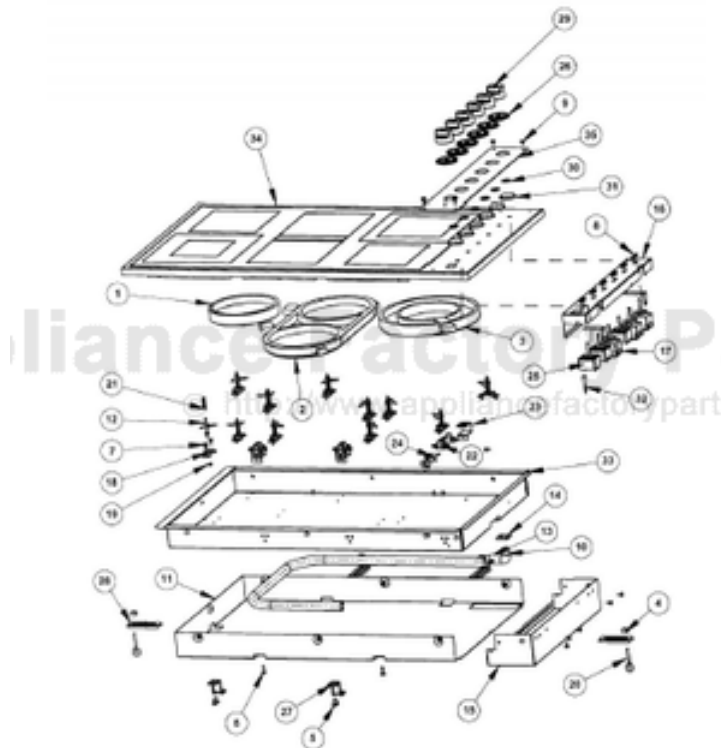


This Owner's Manual is provided and hosted by [Appliance Factory Parts](#).



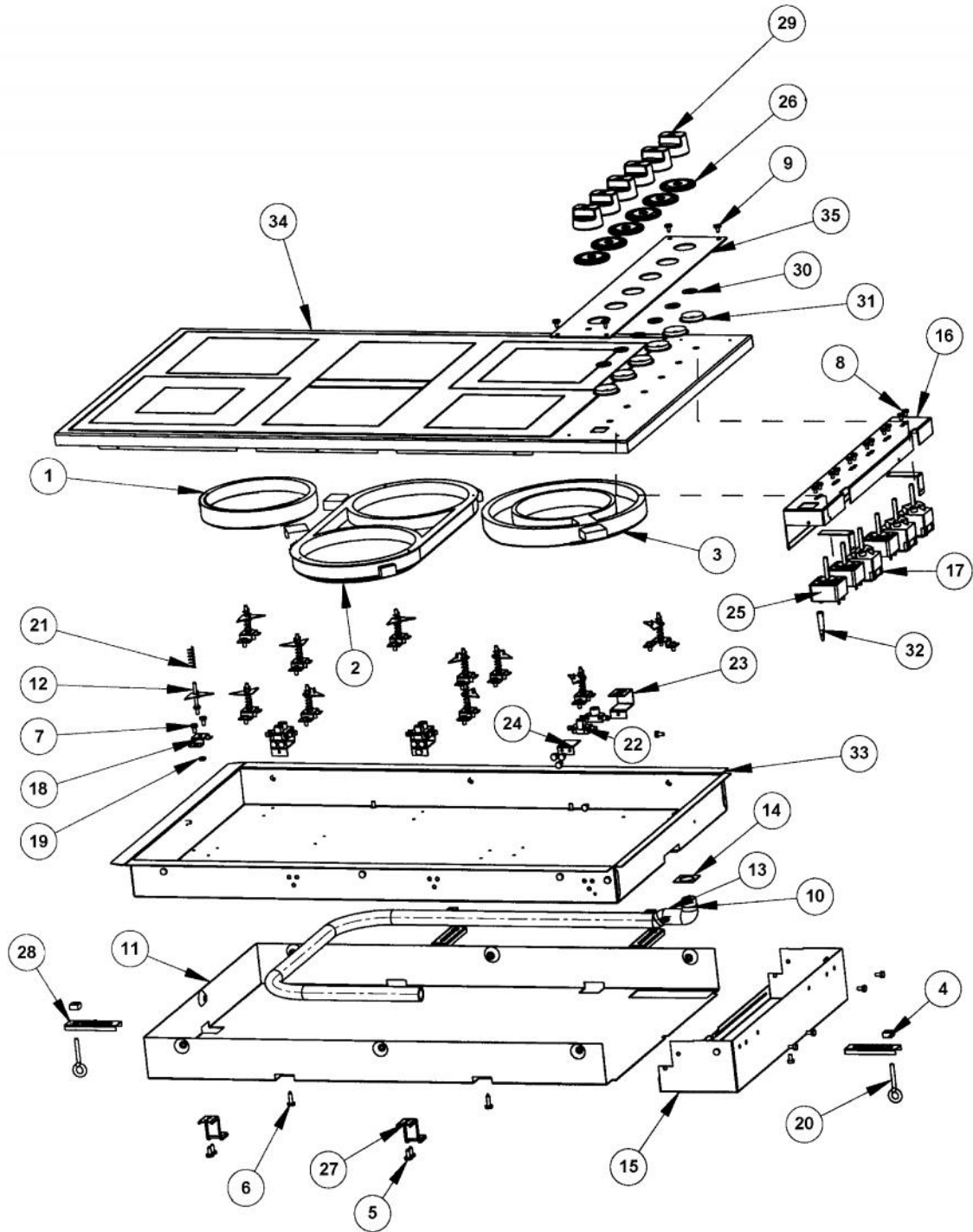
VIKING VECU105 Owner's Manual

[Shop genuine replacement parts for VIKING VECU105](#)



[Find Your VIKING Gas Range Parts - Select From 76 Models](#)

----- Manual continues below -----



Ref #	Part Number	Qty.	Description
1	PJ020003		ELEMENT
2	PJ020004		ELEMENT-(2)1800 X 800
3	PJ020005		2500 ELEMENT
4	PD030029		SELF RETAINING NUT (1/4-20)
5	PD020002		10 X 1/2 PH.TR.HD.SMS.
6	PD020014		10X3/4 PH TR HD SMS
7	PD020004		10X3/8PH.HD.TYPE 25 REPL PD040125
8	PD020044		NO.8-32 X 1/4 PH. TR. HD. M.S.
9	PD020032		SRW-8(A)X3/8PH.WFR HD 7/16DIAXNICL
10	PB040070		CONDUIT FITTING (90 DEG)
11	A2005067		REAR COVER 30
12	PD010048		BURNER GUIDE ASSEMBLY DESU
13	PB020071		CONDUIT - FLEXIBLE (48)
14	A1005074		CONDUIT PLATE
15	A2005056		CONTROL PANEL BOX
16	A2005058		CONTROL PANEL BRACKET (VESU)
17	PJ030029		SUB TO G50013540 - DUAL INFINITE SWITCH
18	A2005055		BOTTOM ELEMENT BRACKET (VESU)
19	PD040056		ELEMENT STUD NUT
20	PD010027		EYE BOLT-VGSU101/161
21	PC010006		GUIDE SPRING DESU
22	PE050077		INDICATOR LIGHT
23	A2005061		LIGHT COVER
24	A2005062		LIGHT SUPPORT
25	PJ030016		INFINITE SWITCH (VESU)
26	PB010152		KNOB BEZEL-CHROME (30 B-IN OVEN)
	PB010153		KNOB BEZEL-XBRX (30 B-IN OVEN)
27	A2105068		MOUNTING BRACKET
28	A2003053		RET.BRKT VGSU101 REPL PG210006
29	PB010148		SELECTOR KNOB-XBKX (30DOUBLE OVEN)
	PB010149		SELECTOR KNOB-XWHX (30 B-IN OVEN)
30	PD030042		SELF RETAINING CLIP (KNOB)NO.03-30135
31	PD040055		CONTROL PANEL GASKET
32	PE050078		VECU POWER LIGHT
33	A3005053		BURNER BOX 30 (VESU100)
34	G3005051BK		VECU100 TOP XBKX
	G3005051WH		VECU100 TOP XWHX
35	PE040095		CONTROL PANEL - VESU100 XBKX