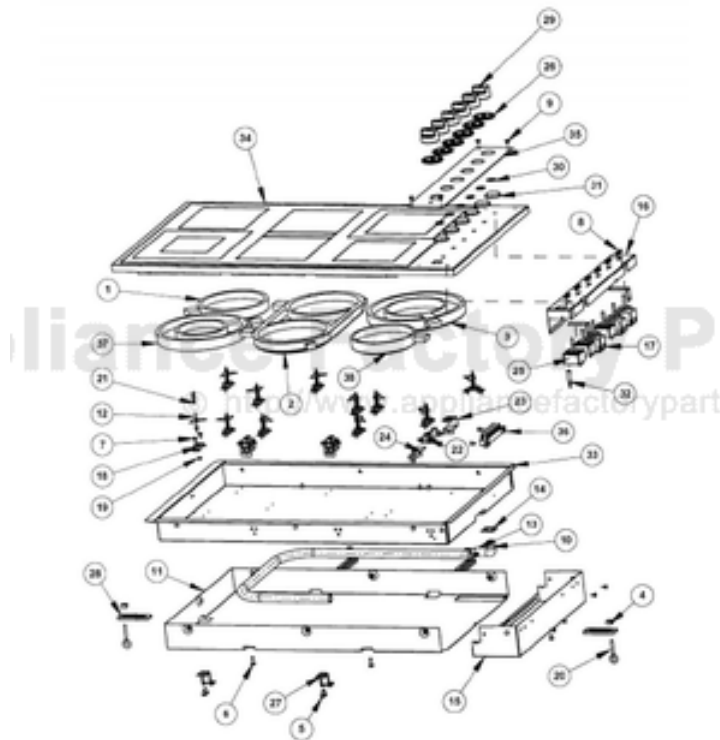


This Owner's Manual is provided and hosted by [Appliance Factory Parts](#).



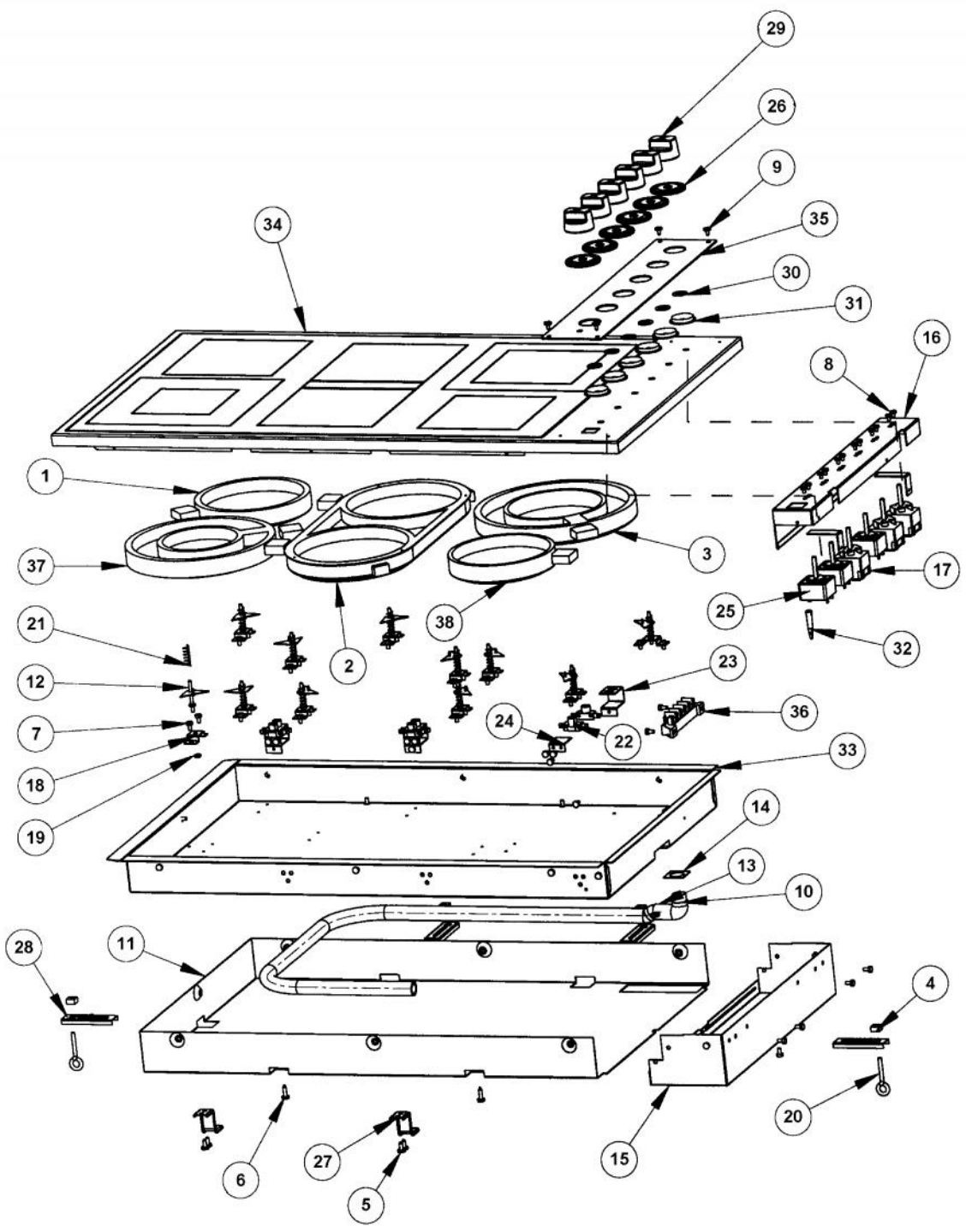
VIKING VECU165 Owner's Manual

[Shop genuine replacement parts for VIKING VECU165](#)



[Find Your VIKING Gas Range Parts - Select From 76 Models](#)

----- Manual continues below -----



Ref #	Part Number	Qty.	Description
1	PJ020003		ELEMENT
2	PJ020004		ELEMENT-(2)1800 X 800
3	PJ020005		2500 ELEMENT
4	PD030029		SELF RETAINING NUT (1/4-20)
5	PD020002		10 X 1/2 PH.TR.HD.SMS.
6	PD020014		10X3/4 PH TR HD SMS
7	PD020004		10X3/8PH.HD.TYPE 25 REPL PD040125
8	PD020044		NO.8-32 X 1/4 PH. TR. HD. M.S.
9	PD020032		SRW-8(A)X3/8PH.WFR HD 7/16DIAXNICL
10	PB040070		CONDUIT FITTING (90 DEG)
11	A2005060		VECU166 REAR COVER
12	PD010048		BURNER GUIDE ASSEMBLY DESU
13	PB020071		CONDUIT - FLEXIBLE (48)
14	A1005074		CONDUIT PLATE
15	A2005056		CONTROL PANEL BOX
16	A2005057		CONTROL PANEL BRACKET 36
17	PJ030029		SUB TO G50013540 - DUAL INFINITE SWITCH
18	A2005055		BOTTOM ELEMENT BRACKET (VESU)
19	PD040056		ELEMENT STUD NUT
20	PD010027		EYE BOLT-VGSU101/161
21	PC010006		GUIDE SPRING DESU
22	PE050077		INDICATOR LIGHT
23	A2005061		LIGHT COVER
24	A2005062		LIGHT SUPPORT
25	011443-000		SINGLE INFINITE SWITCH
26	PB010152		KNOB BEZEL-CHROME (30 B-IN OVEN)
26	PB010153		KNOB BEZEL-XBRX (30 B-IN OVEN)
27	A2105068		MOUNTING BRACKET
28	A2003053		RET.BRKT VGSU101 REPL PG210006
29	PB010148		SELECTOR KNOB-XBKX (30DOUBLE OVEN)
29	PB010149		SELECTOR KNOB-XWHX (30 B-IN OVEN)
30	PD030042		SELF RETAINING CLIP (KNOB)NO.03-30135
31	PD040055		CONTROL PANEL GASKET
32	PE050078		VECU POWER LIGHT
33	A3005054		BURNER BOX 36 (VECU160)
34	G3005052BK		VECU165 TOP BK
34	G3005052WH		VECU160 TOP XWHX
35	PE040096		CONTROL PANEL - VESU160 XBKX
36	PE070231		TERMINAL BLOCK - 6 POLE (HEYCO)
37	PJ020002		ELEMENT 2200 (750)
38	PJ020006		1200 ELEMENT