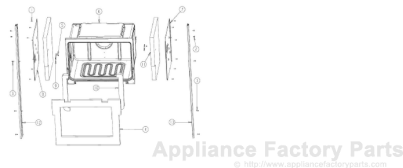


This Owner's Manual is provided and hosted by [Appliance Factory Parts](#).



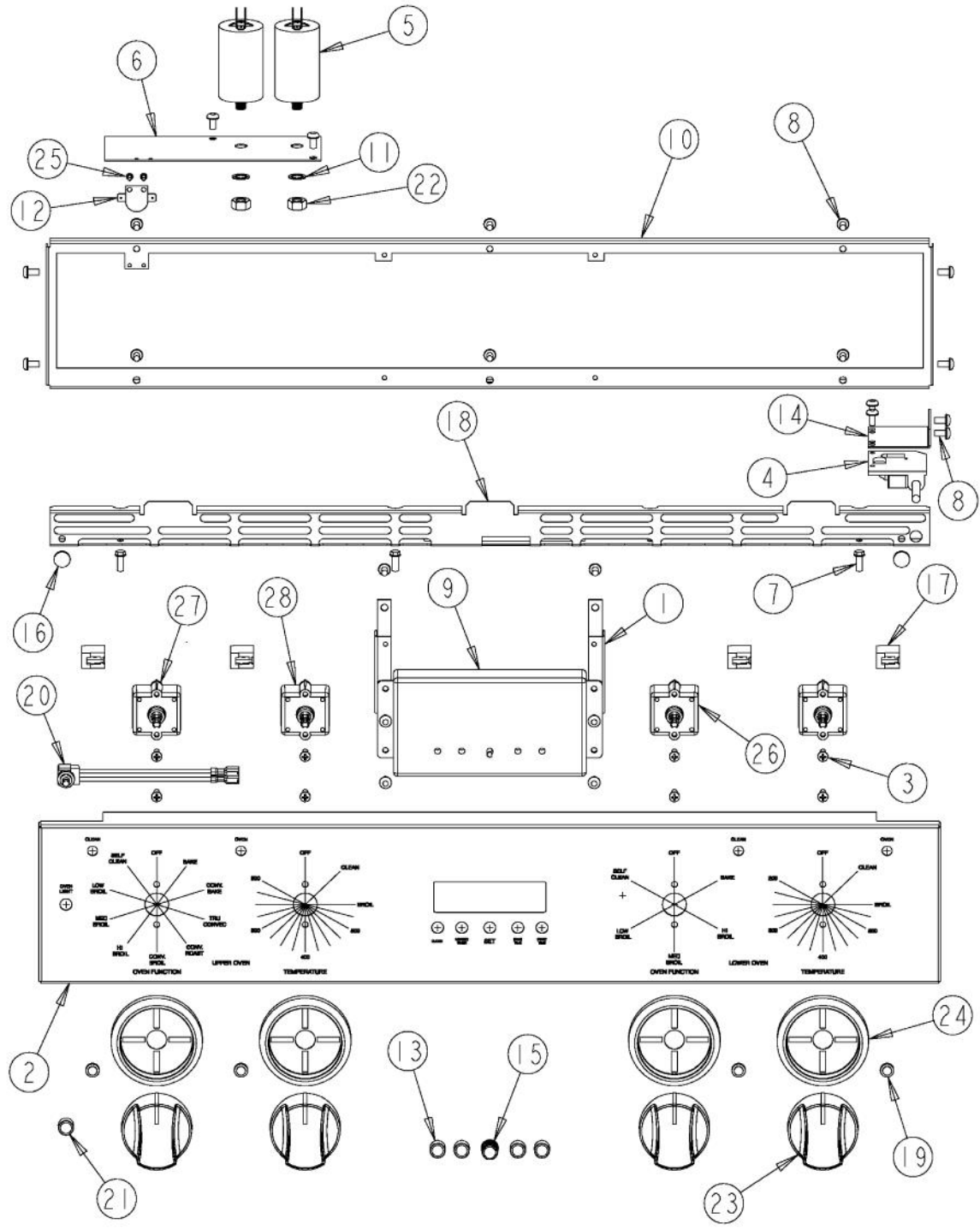
# VIKING VEDO130\_1 Owner's Manual

**[Shop genuine replacement parts for VIKING  
VEDO130\\_1](#)**

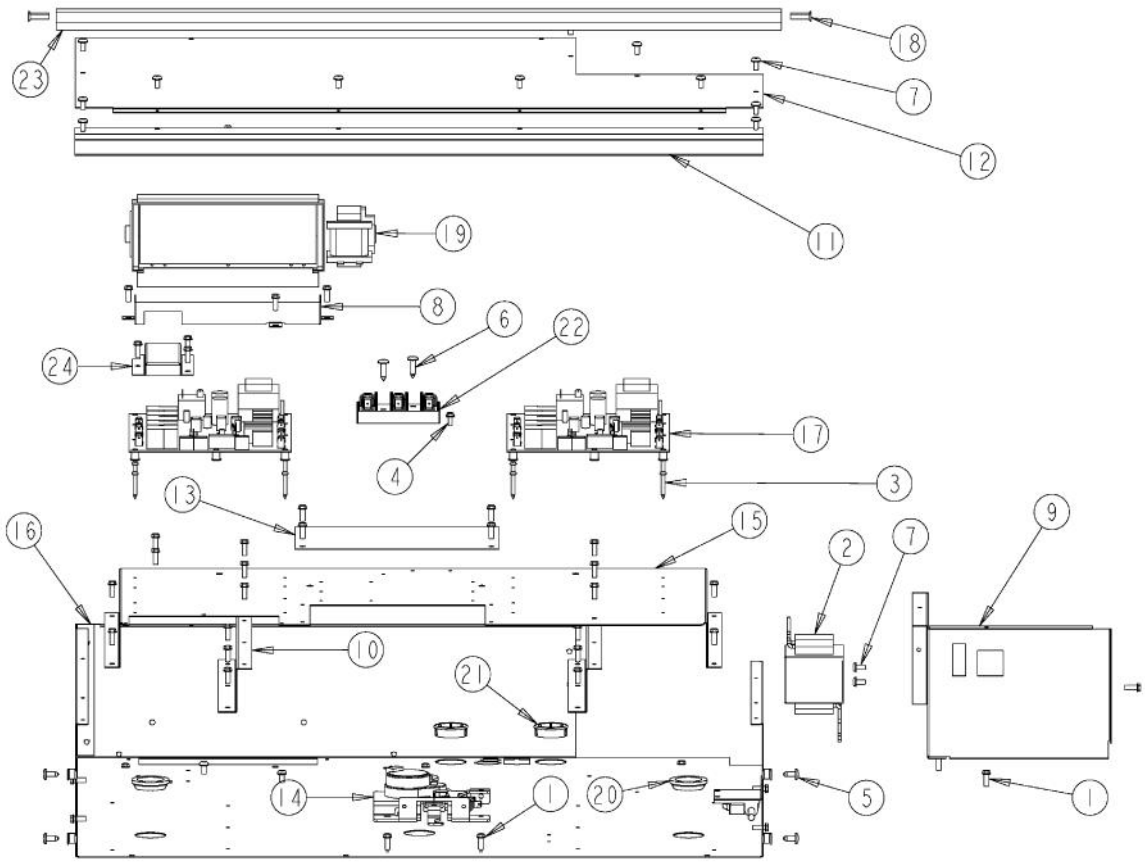


**[Find Your VIKING Oven Parts - Select From 98 Models](#)**

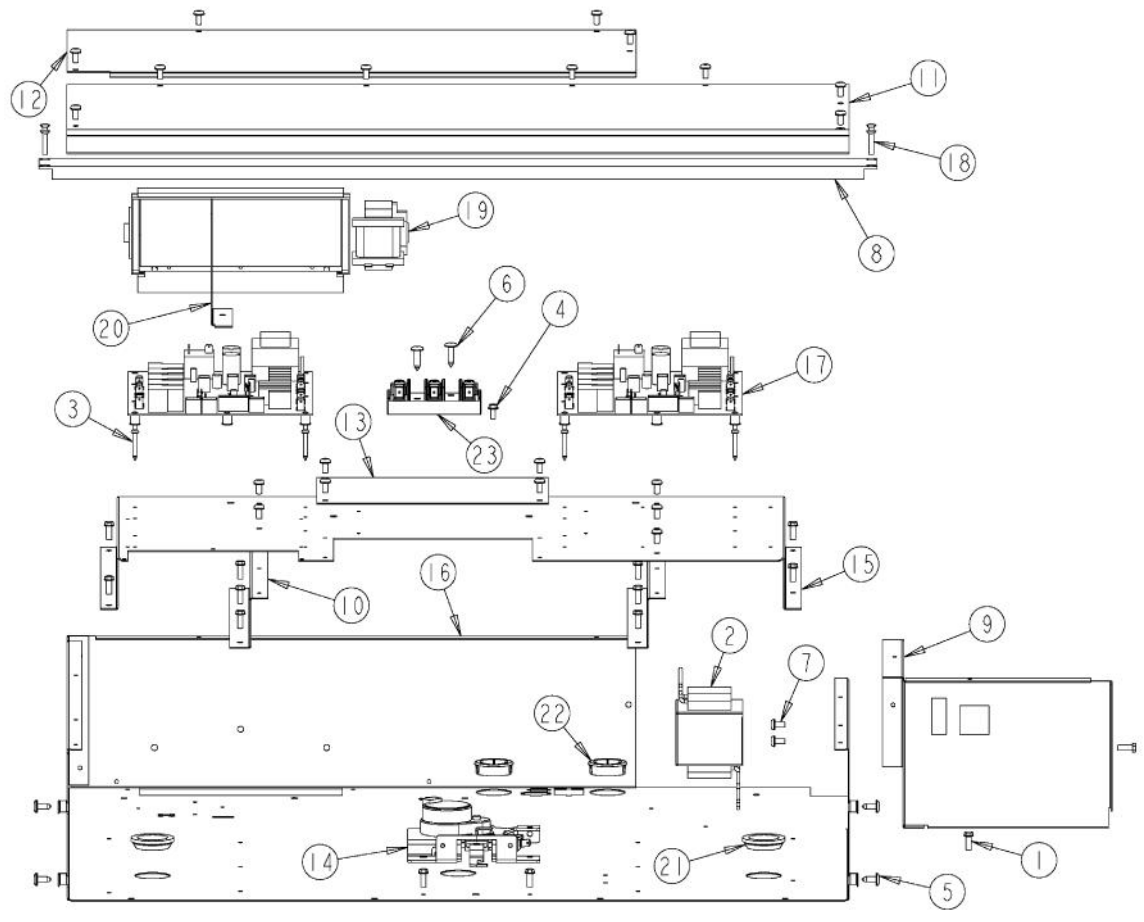
----- Manual continues below -----



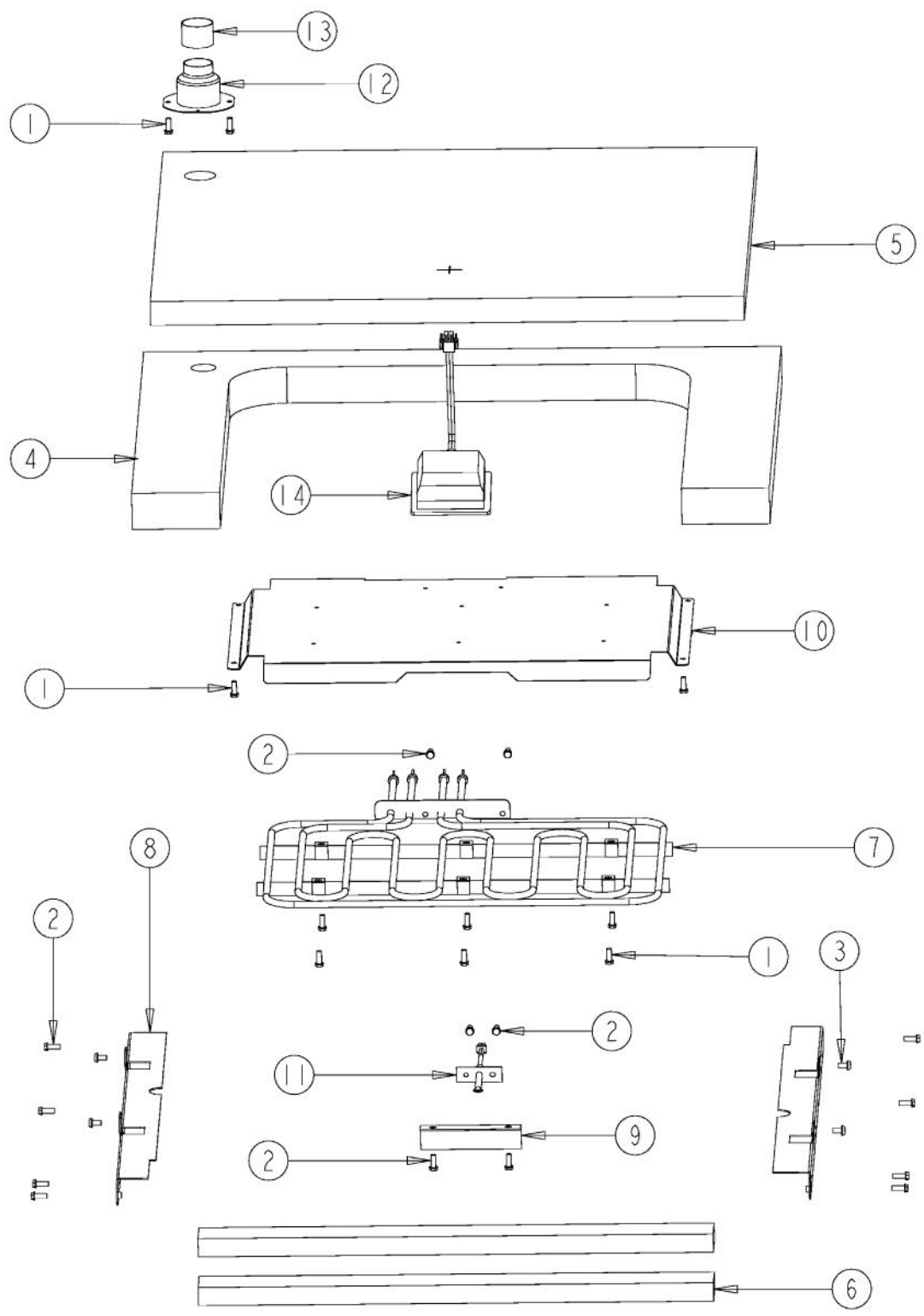
Ref #	Part Number	Qty.	Description
1	A20014063		CLOCK BRACKET (AFTER 06/09/06 C-0622)
2	B92014070		30 DOUBLE PROF. CONTROL PNL. (AFTER 06/09/06 C-0622)
2	C92014070BK		30 DOUBLE PROF. CONTROL PNL. XBKX (AFTER 06/09/06 C-0622)
2	C92014070WH		30 DOUBLE PROF. CONTROL PNL. XWHX (AFTER 06/09/06 C-0622)
3	PD020261		NO.8-32X1/2 PH PANHEAD MACH. SCREW
4	PE050208		DOOR SWITCH
5	PE050247		EBM FAN MOTOR CAPACITOR
6	A10014028		2 CAPACITOR BRACKET
7	PD020060		10 X 1/2 (5/16)HEX WSHR HD.(T)A
8	PD020004		10X3/8PH.HD.TYPE 25 REPL PD040125
9	PE050214	1	CLOCK (DIGITAL 230V 50/60HZ) BEFORE 7/27/10 (072710C00028944)
NI	020619-000	1	DISPLAY,CLCK,TOD3 ON OR AFTER 7/27/10 (072710C00028944)
10	A20014062		30 CONTROL MTG PANEL (AFTER 06/09/06 C-0622)
11	PD040164		5/16 INTERNAL TOOTH LOCK WASHER TYPE A
12	G50015481		PRO HI-LIMIT SERVICE KIT (BEFORE 07-17-06)
NI	PJ030043	1	BI-METAL THERMOSTAT (N.C.) 180 DEGREES (AFTER 07-17-06 TO (BEFORE 7/27/10 (072710C00028944)
13	PB010306		PROF. CLOCK BUTTON
13	PB010310		PROF. CLOCK BUTTON XWHX
14	A20012649		DOOR SWITCH BRACKET
15	PB010307		PROF. CLOCK KNOB
15	PB010311		PROF. CLOCK KNOB XWHX
16	PD040004		GROMMET BUMPER
17	PE050072		LENS OPENING (250 VOLT) BEFORE 7/27/10 (072710C00028944)
NI	021336-000	4	INDICATOR, LT, RED, CHROME BEZEL, LED ON OR AFTER 7/27/10 (072710C00028944)
18	C9009644BK		INLET GRILL 30
19	PE050023		OVEN IND. LIGHT (LENS & BEZEL) BEFORE 7/27/10 (072710C00028944)
NI	021336-000	4	INDICATOR, LT, RED, CHROME BEZEL, LED ON OR AFTER 7/27/10 (072710C00028944)
20	G40015469		LIGHT SWITCH ASSEMBLY
21	PB010308		PROF. OVEN LIGHT BUTTON
21	PB010312		PROF. OVEN LIGHT BUTTON XWHX
22	PD030172		M8 X 1.25MM NUT
23	PB010305		PROF. SELECTOR/THERMOSTAT KNOB
23	PB010309		PROF. SELECTOR/THERMOSTAT KNOB XWHX
24	PB010304		KNOB BEZEL
24	PB010304PVD		RESTYLE KNOB BEZEL, BR
25	PD020013		TYPE AB NO.6 X 3/8 PH PAN HD. SMS
26	PJ030034		SELECTOR (6 POS)
27	PJ030033		SELECTOR (10 POS)
28	PJ030035		THERMOSTAT



Ref #	Part Number	Qty.	Description
1	PD020060		10 X 1/2 (5/16)HEX WSHR HD.(T)A
2	PE070634		HALOGEN LIGHT TRANSFORMER
3	PD020185		NO.6 X 1 PAN HEAD SCREW
4	PD020010		10 X 3/8 GREEN GROUNDING SCREW
5	PD020002		10 X 1/2 PH.TR.HD.SMS.
6	PD020014		10X3/4 PH TR HD SMS
7	PD020004		10X3/8PH.HD.TYPE 25 REPL PD040125
8	A20014034		30 BLOWER BRACKET
9	A20010934		BRACKET, MODULE PAN
10	A20010910		BRACKET, SUPPORT, ELECTRONICS HAT
11	A20014048		30 FRONT COVER
12	A20014049		30 REAR COVER
13	A10010911		COVER, LATCH
14	PE050210		DOOR LATCH
15	A20010935		ELECTRONICS HAT
		1	BEFORE 7/27/10 (072710C00028944)
15	023367-000		30 MTG PANEL, CONTROL
		1	ON OR AFTER 7/27/10 (072710C00028944)
16	A2009643		MODULE PAN, TOP 30
17	000621-000		SUB TO 002406-000 - CONTROL BOARD
		1	BEFORE 7/27/10 (072710C00028944)
17	014000-000		EOC4-CONTROL BOARD
		1	ON OR AFTER 7/27/10 (072710C00028944)
NI	015201-000		LINEAR POWER SUPPLY
		1	ON OR AFTER 7/27/10 (072710C00028944)
18	PD020170		NO.6-32 X 1/2 PHILLIPS C.S. TYPE F SCREW
19	PE050228		PREMIUM BLOWER
20	PB070079		SILICONE EXTRUSION (DGSU)
21	PD040152		SNAP BUSHING
22	PE070147		TERMINAL BLOCK
23	PE040273		30 PROF. TOP TRIM
24	A20014033		UPPER VENT COVER



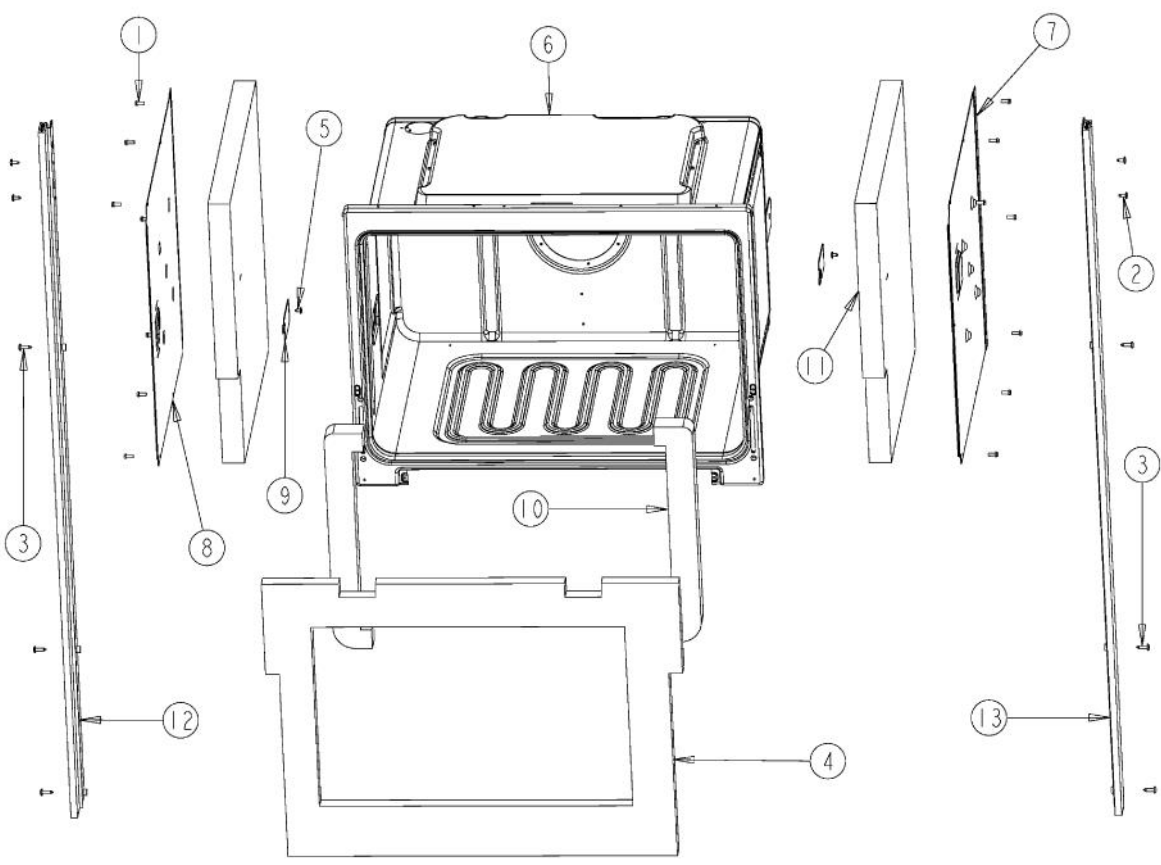
Ref #	Part Number	Qty.	Description
1	PD020060		10 X 1/2 (5/16)HEX WSHR HD.(T)A
2	PE070634		HALOGEN LIGHT TRANSFORMER (USED ONLY ON UNITS BEFORE SERIAL NO. C-0396)
3	PD020185		NO.6 X 1 PAN HEAD SCREW
4	PD020010		10 X 3/8 GREEN GROUNDING SCREW
5	PD020002		10 X 1/2 PH.TR.HD.SMS.
6	PD020014		10X3/4 PH TR HD SMS
7	PD020004		10X3/8PH.HD.TYPE 25 REPL PD040125
8	PE040273		30 PROF. TOP TRIM
9	A20010934		BRACKET, MODULE PAN
10	A20010910		BRACKET, SUPPORT, ELECTRONICS HAT
11	A20014048		30 FRONT COVER
12	A20014049		30 REAR COVER
13	A10010911		COVER, LATCH
14	PE050210		DOOR LATCH
15	A20010935		ELECTRONICS HAT BEFORE 7/27/10 (072710C00028944)
15	023367-000		30 MTG PANEL, CONTROL
16	A2009643	1	ON OR AFTER 7/27/10 (072710C00028944)
17	000621-000		MODULE PAN, TOP 30 SUB TO 002406-000 - CONTROL BOARD BEFORE 7/27/10 (072710C00028944)
17	014000-000	1	EOC4-CONTROL BOARD ON OR AFTER 7/27/10 (072710C00028944)
NI	015201-000	1	LINEAR POWER SUPPLY ON OR AFTER 7/27/10 (072710C00028944)
18	PD020170		NO.6-32 X 1/2 PHILLIPS C.S. TYPE F SCREW
19	PE050228		PREMIUM BLOWER
20	A2009667		REAR AIR DIVIDER
21	PB070079		SILICONE EXTRUSION (DGSU)
22	PD040152		SNAP BUSHING
23	PE070147		TERMINAL BLOCK



Ref #	Part Number	Qty.	Description
1	PD020055		NO.10 X 1/2 PAN PHIL. TEK. SS
2	PD020060		10 X 1/2 (5/16)HEX WSHR HD.(T)A
3	PB070305		30 TOP BROIL INSULATION
4	PB070308		30 TOP INSULATION
5	PB070269		30 WINDOW PACK INSULATION
6	PJ010049		BROIL ELEMENT
7	A2009641		BRKT, TOP WRAPPER
8	A20014044		BROIL ELEMENT SHIELD
9	PB070337		LINER FRONT INSULATION
10	A20014021		REFLECTOR, BROIL
11	PE050206		RTD THERMOSTAT PROBE
12	PM010014		SMOKE ELIMINATOR (VDSC)
13	PB020275		VENT TUBE
14	PE050205		TOP HALOGEN LIGHT (BEFORE SERIAL NO. C-0396)
14	PE050239		HALOGEN LAMP (AFTER SERIAL NO. C-0396)



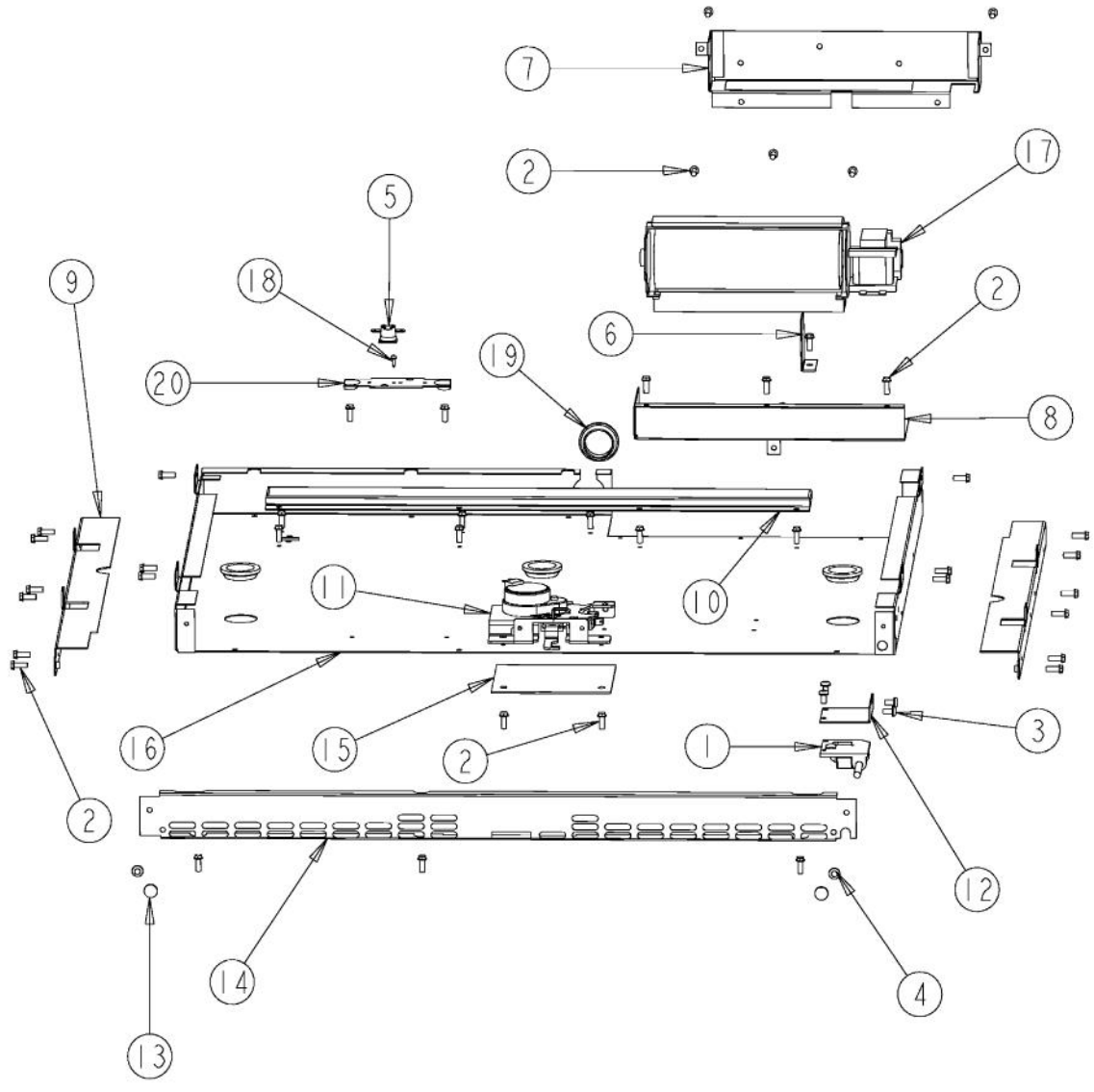
Ref #	Part Number	Qty.	Description
1	PD020055		NO.10 X 1/2 PAN PHIL. TEK. SS
2	PD020060		10 X 1/2 (5/16)HEX WSHR HD.(T)A
3	PD020232		NO.8 X 3/4 PH PAN HEAD TEK SCREW (BLACK OXIDE)
4	PB060107		30 OVEN RACK
5	PD020063		SCREW-NO.8(A) X 3/8PH WFR HD/BK OXID
6	G91013598		30 BAFFLE ASSEMBLY
7	PB060103		RACK SUPPORT RH
8	PB060104		RACK SUPPORT LH
9	E9107933		BROILER PAN
10	E9107934		BROILER PAN INSERT
11	PJ010047		CONVECTION ELEMENT
12	G32014020		CONVECTION FAN ASSY
13	E91012614		LIGHT HOLE COVER
14	PB070312		CONVECTION MOTOR MTG. PLATE INSULATION



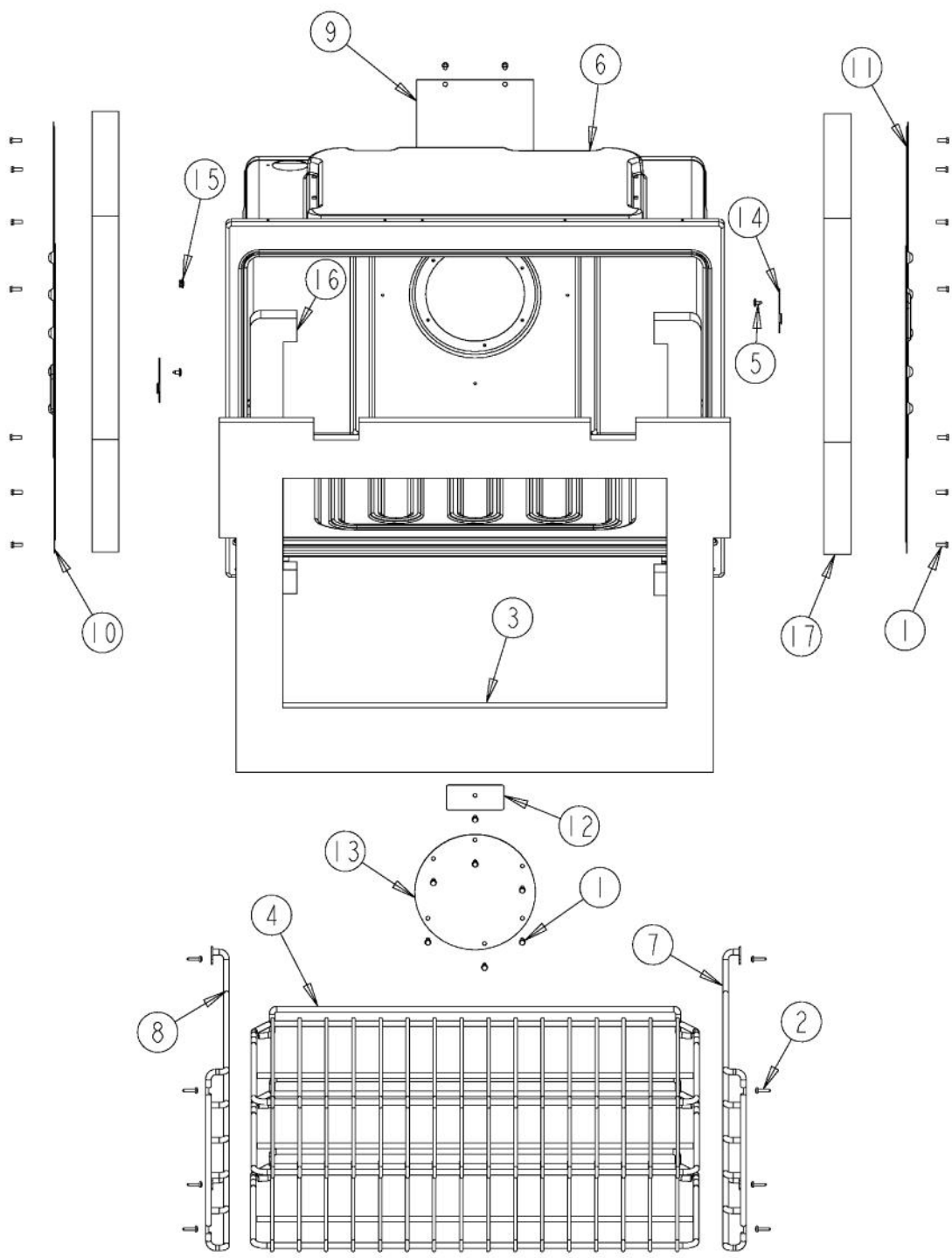
Ref #	Part Number	Qty.	Description
1	PD020060		10 X 1/2 (5/16)HEX WSHR HD.(T)A
2	PD020002		10 X 1/2 PH.TR.HD.SMS.
3	PD020014		10X3/4 PH TR HD SMS
4	PB070272		30 DOOR INSULATION
5	PD020063		SCREW-NO.8(A) X 3/8PH WFR HD/BK OXID
6	G9109606		CAVITY ASSEMBLY 30
7	A2009622		BRKT, TOP WRAPPER, RIGHT
8	A20012650		BRKT, TOP WRAPPER LEFT
9	E91012614		LIGHT HOLE COVER
10	PB070271		DOOR PLUG INSULATION
11	PB070302		SIDE INSULATION
12	PE040278		PROF. DOUBLE SIDE TRIM LH
13	PE040277		PROF. DOUBLE SIDE TRIM RH



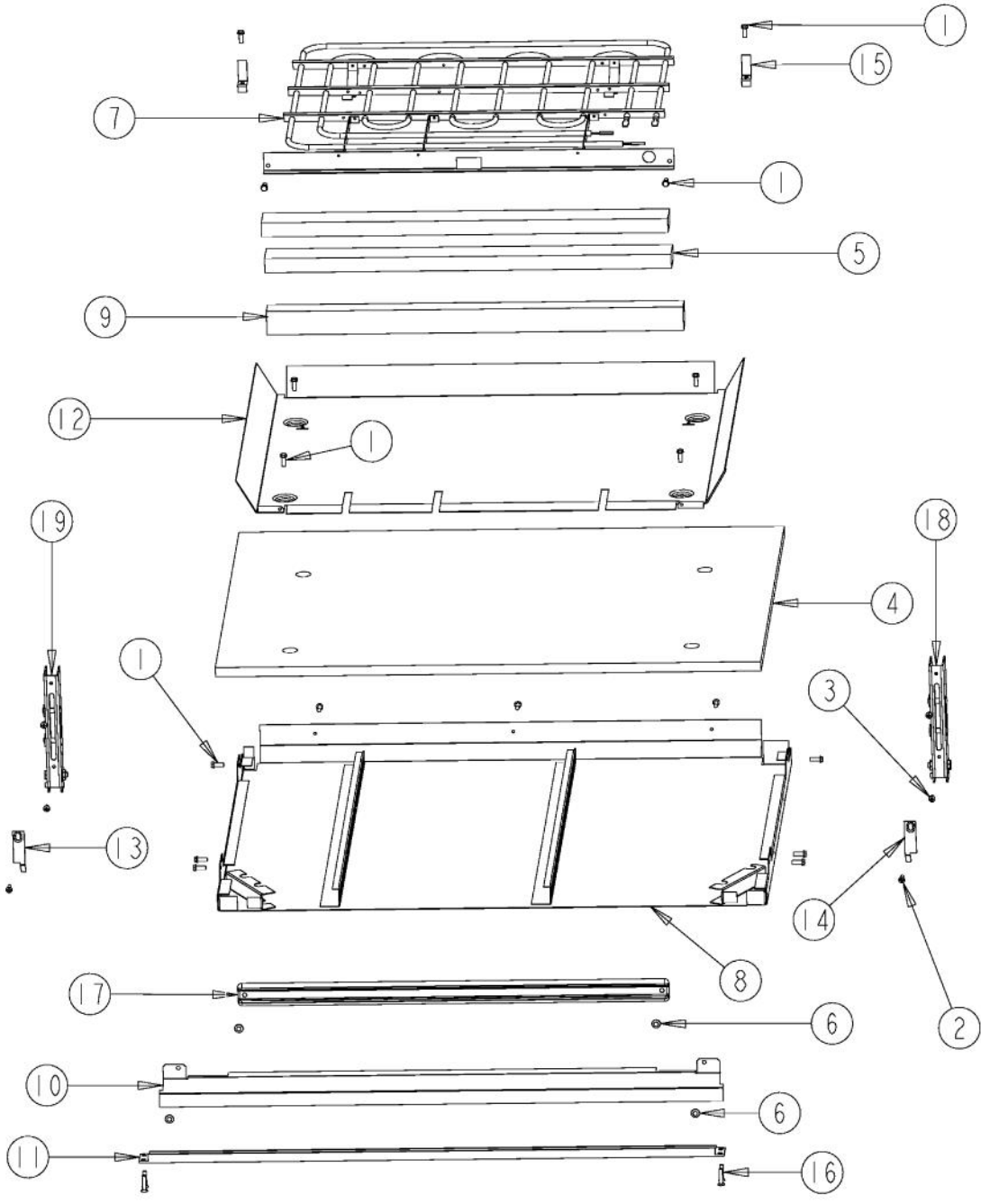
Ref #	Part Number	Qty.	Description
1	PD020060		10 X 1/2 (5/16)HEX WSHER HD.(T)A
2	PD020061		NO.8 X 3/4 FLAT HD TEK. SS.
3	PD020062		NO.8-32 X 3/8 PHMS TYPE 1
4	PB070269		30 WINDOW PACK INSULATION
5	PD020063		SCREW-NO.8(A) X 3/8PH WFR HD/BK OXID
6	PJ010048		BAKE ELEMENT
7	PB070309		BAKE ELEMENT INSULATION
8	A2009612		ELEMENT, MTG TRAY
9	B21010916		HINGE CLIP ? LH
10	B21010915		HINGE CLIP ? RH
11	A2009696		HOLDER, BAKE ELEMENT
12	E2109655		COVER, BAKE TRAY
13	PC020221		HINGE POCKET RECEIVER MANSFIELD RH
14	PC020247		HINGE POCKET RECEIVER MANSFIELD LH



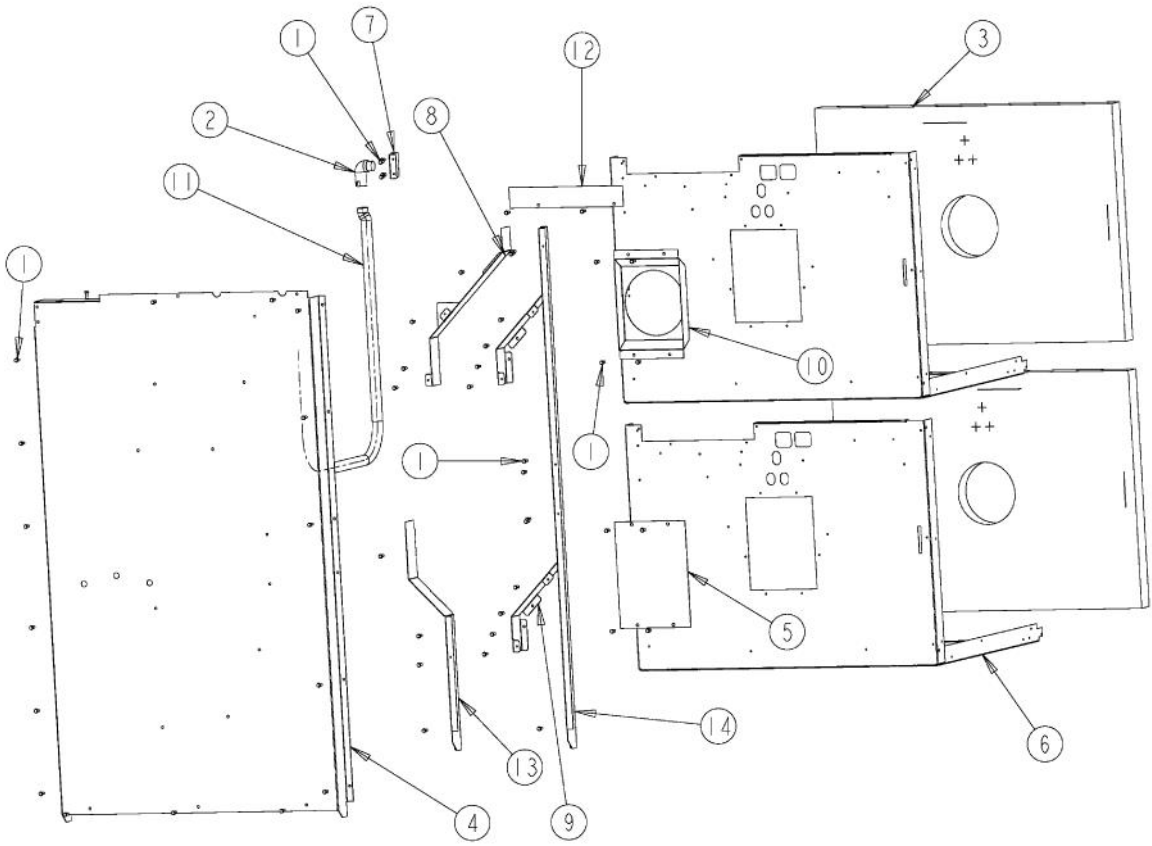
Ref #	Part Number	Qty.	Description
1	PE050208		DOOR SWITCH
2	PD020060		10 X 1/2 (5/16)HEX WSHR HD.(T)A
3	PD020004		10X3/8PH.HD.TYPE 25 REPL PD040125
4	PD020063		SCREW-NO.8(A) X 3/8PH WFR HD/BK OXID
5	PJ030039	1	BI-METAL THERMOSTAT 275 DEGREES BEFORE 7/27/10 (072710C00028944)
6	A20014036		BOTTOM BLOWER DIVIDER
7	A2009660		BRACKET, BLOWER, DBL LOWER OVEN
8	A2009659		BRACKET, FILLER, BLOWER
9	A2009641		BRKT, TOP WRAPPER
10	A2009682		CATALYST EXHAUST, MIDDLE MODULE
11	PE050210		DOOR LATCH
12	A20012649		DOOR SWITCH BRACKET
13	PD040004		GROMMET BUMPER
14	020478-002		GRILL, INL, LOWER, DBL OVEN, 30 XBKX
15	PB070321		LOWER LATCH INSULATION
16	A2009661		MODULE PAN 30
17	PE050228		PREMIUM BLOWER
18	PD020013		TYPE AB NO.6 X 3/8 PH PAN HD. SMS
19	PB070079		SILICONE EXTRUSION (DGSU)
20	A1002456		THERMO-DISC BRKT (VDSC) (BEFORE 08/21/06)
20	A20014089		DISC BRACKET (AFTER 08/21/06)



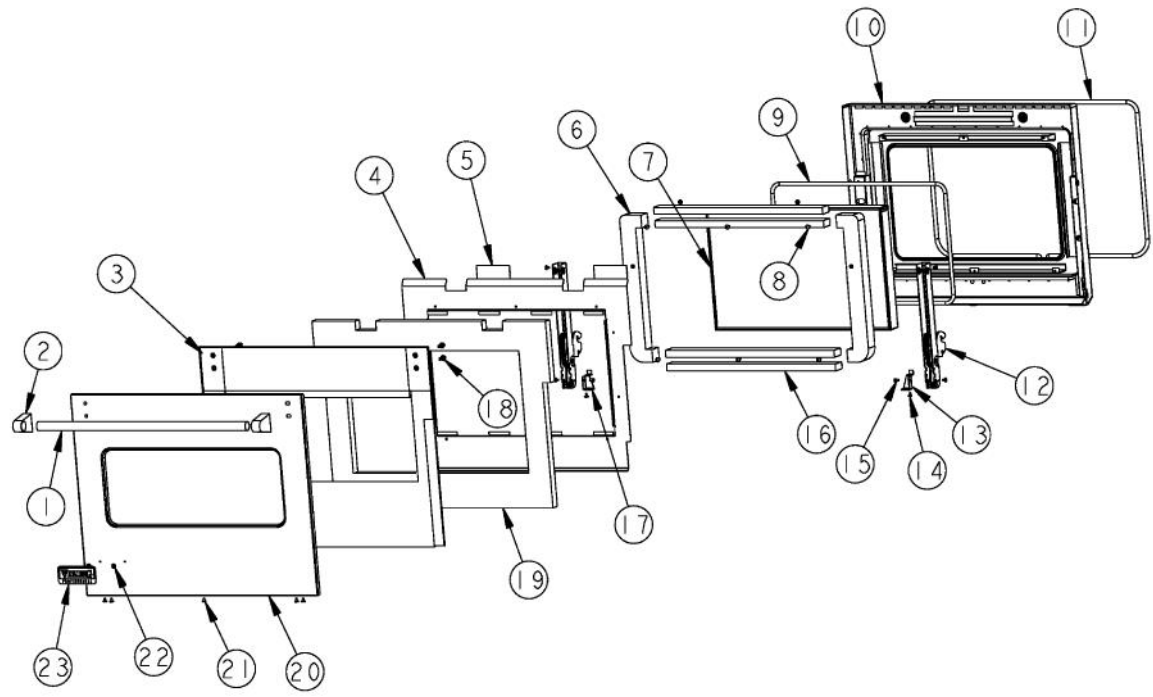
Ref #	Part Number	Qty.	Description
1	PD020060		10 X 1/2 (5/16)HEX WSHR HD.(T)A
2	PD020232		NO.8 X 3/4 PH PAN HEAD TEK SCREW (BLACK OXIDE)
3	PB070272		30 DOOR INSULATION
4	PB060107		30 OVEN RACK
5	PD020063		SCREW-NO.8(A) X 3/8PH WFR HD/BK OXID
6	G91014039		30 PREMIERE CAVITY ASSY
7	PB060103		RACK SUPPORT RH
8	PB060104		RACK SUPPORT LH
9	A20012648		BACK COVER
10	A2009622		BRKT, TOP WRAPPER, RIGHT
11	A20012650		BRKT, TOP WRAPPER LEFT
12	E91012616		CONV. ELEMENT HOLE COVER
13	E91012615		CONVECTION HOLE COVER
14	E91012614		LIGHT HOLE COVER
15	E91014053		PORCELAIN 25/64 HOLE PLUG NO LONGER USED ON THIS MODEL
16	PB070271		DOOR PLUG INSULATION
17	PB070302		SIDE INSULATION
NI	020477-000		DIVERTER, AIR, BOT, FLAT, 30



Ref #	Part Number	Qty.	Description
1	PD020060		10 X 1/2 (5/16)HEX WSHR HD.(T)A
2	PD020061		NO.8 X 3/4 FLAT HD TEK. SS.
3	PD020062		NO.8-32 X 3/8 PHMS TYPE 1
4	PB070303		30 BOTTOM INSULATION
5	PB070269		30 WINDOW PACK INSULATION
6	PD020063		SCREW-NO.8(A) X 3/8PH WFR HD/BK OXID
7	PJ010048		BAKE ELEMENT
8	G3009694		BASE MODULE ASSY 30
9	PB070309		BAKE ELEMENT INSULATION
10	C90012831BK		BOTTOM AIR DEFLECTOR 30
11	PE040274		30 PROF. BOTTOM TRIM
12	A2009612		ELEMENT, MTG TRAY
13	B21010916		HINGE CLIP ? LH
14	B21010915		HINGE CLIP ? RH
15	A2009696		HOLDER, BAKE ELEMENT
16	PD020170		NO.6-32 X 1/2 PHILLIPS C.S. TYPE F SCREW
17	E9109655		BAKE TRAY COVER
18	PC020221		HINGE POCKET RECEIVER MANSFIELD RH
19	PC020247		HINGE POCKET RECEIVER MANSFIELD LH

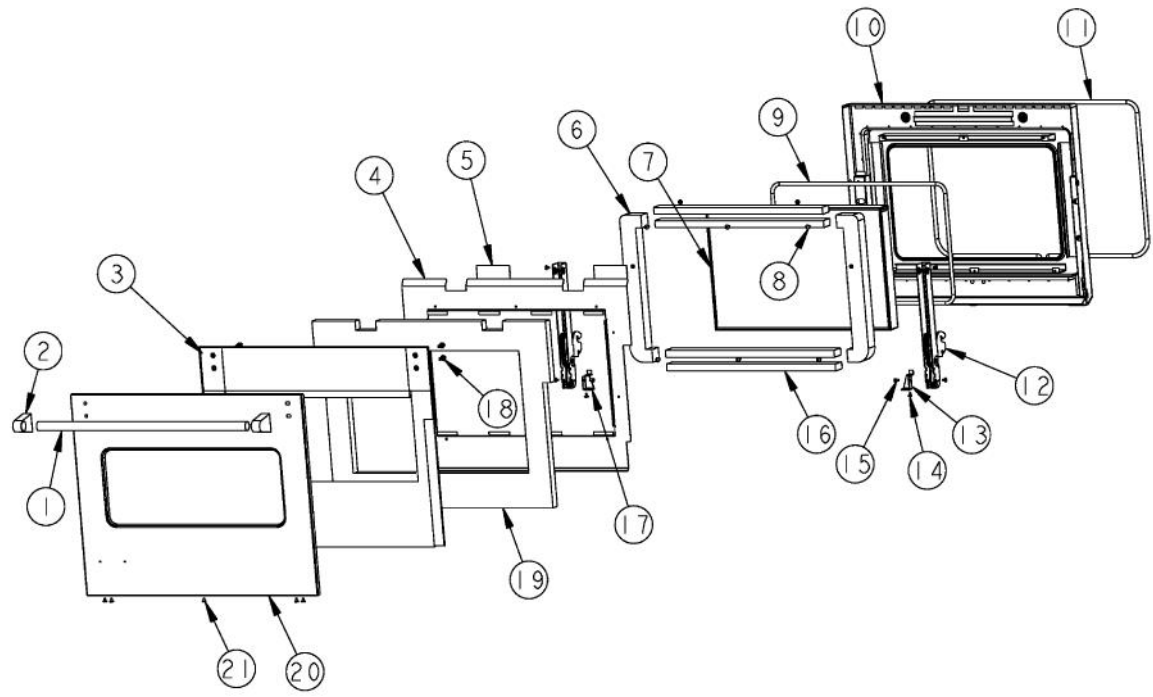


Ref #	Part Number	Qty.	Description
1	PD020060		10 X 1/2 (5/16)HEX WSHER HD.(T)A
2	PB040070		CONDUIT FITTING (90 DEG)
3	PB070304		30 BACK INSULATION
4	A2009683		PANEL, REAR
5	A10012648		BACK COVER
6	A2009620		BASE, BACK WRAPPER
7	A2009671		BRACKET, POWER CABLE
8	A21010918		BRACKET, AIR, CONVECTION MOTOR
9	A21010919		BRACKET, AIR, CONVECTION MOTOR
10	A2009697		BRACKET, CONVECTION INSULATION
11	PB020071		CONDUIT - FLEXIBLE (48)
12	A10010907		COVER, BLOWER
13	A2009699		REAR AIR DIVIDER, DBL, LOWER OVEN
14	A2009684		REAR AIR DIVIDER, DOUBLE OVEN



Ref #	Part Number	Qty.	Description
1	PE030179		30 PROF. DOOR HANDLE
1	PE030179PVD		30 PROF. DOOR HANDLE XPV DX 24.907
2	PE030001		BRACKET, DOOR, HANDLE
2	PE030001PVD		END CAP DOOR HANDLE XBR
3	001499-000		PRO 30" INSULATION RETAINER KIT (AFTER 7-17-06) (AFTER 07-17-06)
3	001500-000		PRO 30" INSULATION RETAINER KIT ( BEFORE 7-17-06) (BEFORE 07-17-06)
4	A2009632		PANEL, INULATION, INNER DOOR
5	PB070336		DOOR BRACKET INSULATION
6	PB070271		DOOR PLUG INSULATION
7	PE060094		30 WINDOW PACK
8	PD020002		10 X 1/2 PH.TR.HD.SMS.
9	000594-000		BLACK FIBERGLASS ROPE 3/8
10	G9109625		DOOR LINER PORC.
11	PB070246		30 DOOR GASKET
12	023799-000	2	HINGE, MANSFIELD, RED
13	A20012640		HINGE SUPPORT RH
14	PD020063		SCREW-NO.8(A) X 3/8PH WFR HD/BK OXID
15	PD020004		10X3/8PH.HD.TYPE 25 REPL PD040125
16	PB070269		30 WINDOW PACK INSULATION
17	A20012641		HINGE SUPPORT LH
18	PD020186		1/4-20 X 3/4 HEX WASHER HEAD MS
19	PB020272		304SS 3/4 X .035 TUBING
20	PS500015AL		30 PRO DOOR SKIN SVC KIT W/LOGO AFTER 07/17/06 - AL
20	PS500015ALBR		30 PRO DOOR SKIN SVC KIT W/LOGO AFTER 07/17/06 - AL/B...
20	PS500015BK		30 PRO DOOR SKIN SVC KIT W/LOGO AFTER 07/17/06 -BK
20	PS500015BKBR		30 PRO DOOR SKIN SVC KIT W/LOGO AFTER 07/17/06 -BK/BR
20	PS500015BT		30 PRO DOOR SKIN SVC KIT W/LOGO AFTER 07/17/06 - BT
20	PS500015BTBR		30 PRO DOOR SKIN SVC KIT W/LOGO AFTER 07/17/06 -BTBR
20	PS500015BU		30 PRO DOOR SKIN SVC KIT W/LOGO AFTER 07/17/06 -BU
20	PS500015BUBR		30 PRO DOOR SKIN SVC KIT W/LOGO AFTER 07/17/06 - BU/...
20	PS500015CB		30 PRO DOOR SKIN SVC KIT W/LOGO AFTER 07/17/06 - CB
20	PS500015CBBR		30 PRO DOOR SKIN SVC KIT W/LOGO AFTER 07/17/06 - CB/...
20	PS500015EP		30 PRO DOOR SKIN SVC KIT W/LOGO AFTER 07/17/06 - EP
20	PS500015EPBR		30 PRO DOOR SKIN SVC KIT W/LOGO AFTER 07/17/06 - EP/B...
20	PS500015FG		30 PRO DOOR SKIN SVC KIT W/LOGO AFTER 07/17/06 - FG
20	PS500015FGBR		30 PRO DOOR SKIN SVC KIT W/LOGO AFTER 07/17/06 - FG/...
20	PS500015GG		30 PRO DOOR SKIN SVC KIT W/LOGO AFTER 07/17/06 -GG
20	PS500015GGBR		30 PRO DOOR SKIN SVC KIT W/LOGO AFTER 07/17/06 -GG/B...
20	PS500015LE		30 PRO DOOR SKIN SVC KIT W/LOGO AFTER 07/17/06 - LE
20	PS500015LEBR		30 PRO DOOR SKIN SVC KIT W/LOGO AFTER 07/17/06 - LE/B...
20	PS500015MJ		30 PRO DOOR SKIN SVC KIT W/LOGO AFTER 07/17/06 - MJ
20	PS500015MJBR		30 PRO DOOR SKIN SVC KIT W/LOGO AFTER 07/17/06 - MJ/B...
20	PS500015SG		30 PRO DOOR SKIN SVC KIT W/LOGO AFTER 07/17/06 - SG
20	PS500015SGBR		30 PRO DOOR SKIN SVC KIT W/LOGO AFTER 07/17/06 -SGBR
20	PS500015SS		30 PRO DOOR SKIN SVC KIT W/LOGO AFTER 07/17/06 -SS
20	PS500015SSBR		30 PRO DOOR SKIN SVC KIT W/LOGO AFTER 07/17/06 - SS/B...
20	PS500015VB		30 PRO DOOR SKIN SVC KIT W/LOGO AFTER 07/17/06 - VB
20	PS500015VBBR		30 PRO DOOR SKIN SVC KIT W/LOGO AFTER 07/17/06 -VBBR
20	PS500015WH		30 PRO DOOR SKIN SVC KIT W/LOGO AFTER 07/17/06 - WH
20	PS500015WHBR		30 PRO DOOR SKIN SVC KIT W/LOGO AFTER 07/17/06 - WH/...
20	PS500019AL		30 PRO DOOR SKIN SERVICE KIT W/LOGO BEFORE 07/17/0...
20	PS500019ALBR		30 PRO DOOR SKIN SERVICE KIT W/LOGO BEFORE 07/17/0...
20	PS500019BK		30 PRO DOOR SKIN SERVICE KIT W/LOGO BEFORE 07/17/0...
20	PS500019BKBR		30 PRO DOOR SKIN SERVICE KIT W/LOGO BEFORE 07/17/0...
20	PS500019BT		30 PRO DOOR SKIN SERVICE KIT W/LOGO BEFORE 07/17/0...
20	PS500019BTBR		30 PRO DOOR SKIN SERVICE KIT W/LOGO BEFORE 07/17/0...
20	PS500019BU		30 PRO DOOR SKIN SERVICE KIT W/LOGO BEFORE 07/17/0...
20	PS500019BUBR		30 PRO DOOR SKIN SERVICE KIT W/LOGO BEFORE 07/17/0...

Ref #	Part Number	Qty.	Description
20	PS500019BUBR		30 PRO DOOR SKIN SERVICE KIT W/LOGO BEFORE 07/17/0...
20	PS500019CB		30 PRO DOOR SKIN SERVICE KIT W/LOGO BEFORE 07/17/0...
20	PS500019CBBR		30 PRO DOOR SKIN SERVICE KIT W/LOGO BEFORE 07/17/0...
20	PS500019EP		30 PRO DOOR SKIN SERVICE KIT W/LOGO BEFORE 07/17/0...
20	PS500019EPBR		30 PRO DOOR SKIN SERVICE KIT W/LOGO BEFORE 07/17/0...
20	PS500019FG		30 PRO DOOR SKIN SERVICE KIT W/LOGO BEFORE 07/17/0...
20	PS500019FGBR		30 PRO DOOR SKIN SERVICE KIT W/LOGO BEFORE 07/17/0...
20	PS500019GG		30 PRO DOOR SKIN SERVICE KIT W/LOGO BEFORE 07/17/0...
20	PS500019GGBR		30 PRO DOOR SKIN SERVICE KIT W/LOGO BEFORE 07/17/0...
20	PS500019LE		30 PRO DOOR SKIN SERVICE KIT W/LOGO BEFORE 07/17/0...
20	PS500019LEBR		30 PRO DOOR SKIN SERVICE KIT W/LOGO BEFORE 07/17/0...
20	PS500019MJ		30 PRO DOOR SKIN SERVICE KIT W/LOGO BEFORE 07/17/0...
20	PS500019MJBR		30 PRO DOOR SKIN SERVICE KIT W/LOGO BEFORE 07/17/0...
20	PS500019SG		30 PRO DOOR SKIN SERVICE KIT W/LOGO BEFORE 07/17/0...
20	PS500019SGBR		30 PRO DOOR SKIN SERVICE KIT W/LOGO BEFORE 07/17/0...
20	PS500019SS		30 PRO DOOR SKIN SERVICE KIT W/LOGO BEFORE 07/17/0...
20	PS500019SSBR		30 PRO DOOR SKIN SERVICE KIT W/LOGO BEFORE 07/17/0...
20	PS500019VB		30 PRO DOOR SKIN SERVICE KIT W/LOGO BEFORE 07/17/0...
20	PS500019VBBR		30 PRO DOOR SKIN SERVICE KIT W/LOGO BEFORE 07/17/0...
20	PS500019WH		30 PRO DOOR SKIN SERVICE KIT W/LOGO BEFORE 07/17/0...
20	PS500019WHBR		30 PRO DOOR SKIN SERVICE KIT W/LOGO BEFORE 07/17/0...
21	PD020032		SRW-8(A)X3/8PH.WFR HD 7/16DIA XNCL
22	PD030006		CAPPED WASHER PAL NUT
23	PE010016		NAMEPLATE, LOGO, PRO
23	PE010017		LOGO (VGSO,VEDO,VGDO,VUD) XWH/CHR
23	PE010079		4.5 LOGO/VIKING PROF, BK/BR
23	PE010080		4.5 LOGO/VIKING PROF XWH/BR
NI	G32012723AL		30 DOOR ASSY W/LOGO XALX
NI	G32012723ALBRX		30 DOOR ASSY W/LOGO XALBRX
NI	G32012723BK		30 DOOR ASSY W/LOGO XBKX
NI	G32012723BKBRX		30 DOOR ASSY W/LOGO XBKBRX
NI	G32012723BT		30 DOOR ASSY W/LOGO XBTX
NI	G32012723BTBR		30 DOOR ASSY W/LOGO XBTBRX
NI	G32012723BU		30 DOOR ASSY W/LOGO XBUX
NI	G32012723BUBR		30 DOOR ASSY W/LOGO XBUBRX
NI	G32012723CB		30 DOOR ASSY W/LOGO XCBX
NI	G32012723CBBR		30 DOOR ASSY W/LOGO XCBBRX
NI	G32012723EP		30 DOOR ASSY W/LOGO XEPX
NI	G32012723EPBR		30 DOOR ASSY W/LOGO XEPBRX
NI	G32012723FG		30 DOOR ASSY W/LOGO XFGX
NI	G32012723FGBR		30 DOOR ASSY W/LOGO XFGBRX
NI	G32012723GG		30 DOOR ASSY W/LOGO XGGX
NI	G32012723GGBR		30 DOOR ASSY W/LOGO XGGBRX
NI	G32012723LE		30 DOOR ASSY W/LOGO XLEX
NI	G32012723LEBR		30 DOOR ASSY W/LOGO XLEBRX
NI	G32012723MJ		30 DOOR ASSY W/LOGO XMJX
NI	G32012723MJBR		30 DOOR ASSY W/LOGO XMJBRX
NI	G32012723SG		30 DOOR ASSY W/LOGO XSGX
NI	G32012723SGBR		30 DOOR ASSY W/LOGO XSGBRX
NI	G32012723SS		30 DOOR ASSY W/LOGO
NI	G32012723SSBR		30 DOOR ASSY W/LOGO XSSBRX
NI	G32012723VB		30 DOOR ASSY W/LOGO XVBX
NI	G32012723VBBR		30 DOOR ASSY W/LOGO XVBBRX
NI	G32012723WH		30 DOOR ASSY W/LOGO XWHX
NI	G32012723WHBR		30 DOOR ASSY W/LOGO XWHBRX



Ref #	Part Number	Qty.	Description
1	PE030179		30 PROF. DOOR HANDLE
1	PE030179PVD		30 PROF. DOOR HANDLE XPV DX 24.907
2	PE030001		BRACKET, DOOR, HANDLE
2	PE030001PVD		END CAP DOOR HANDLE XBR
3	001499-000		PRO 30" INSULATION RETAINER KIT (AFTER 7-17-06) (AFTER 07-17-06)
3	001500-000		PRO 30" INSULATION RETAINER KIT ( BEFORE 7-17-06) (BEFORE 07-17-06)
4	A2009632		PANEL, INULATION, INNER DOOR
5	PB070336		DOOR BRACKET INSULATION
6	PB070271		DOOR PLUG INSULATION
7	PE060094		30 WINDOW PACK
8	PD020002		10 X 1/2 PH.TR.HD.SMS.
9	000594-000		BLACK FIBERGLASS ROPE 3/8
10	G9109625		DOOR LINER PORC.
11	PB070246		30 DOOR GASKET
12	023799-000	2	HINGE, MANSFIELD, RED
13	A20012640		HINGE SUPPORT RH
14	PD020063		SCREW-NO.8(A) X 3/8PH WFR HD/BK OXID
15	PD020004		10X3/8PH.HD.TYPE 25 REPL PD040125
16	PB070269		30 WINDOW PACK INSULATION
17	A20012641		HINGE SUPPORT LH
18	PD020186		1/4-20 X 3/4 HEX WASHER HEAD MS
19	PB020272		304SS 3/4 X .035 TUBING
20	PS500017AL		30 PRO DOOR SKIN SERVICE KIT W/O LOGO AFTER 07/17/0...
20	PS500017ALBR		30 PRO DOOR SKIN SERVICE KIT W/O LOGO AFTER 07/17/0...
20	PS500017BK		30 PRO DOOR SKIN SERVICE KIT W/O LOGO AFTER 07/17/0...
20	PS500017BKBR		30 PRO DOOR SKIN SERVICE KIT W/O LOGO AFTER 07/17/0...
20	PS500017BT		30 PRO DOOR SKIN SERVICE KIT W/O LOGO AFTER 07/17/0...
20	PS500017BTBR		30 PRO DOOR SKIN SERVICE KIT W/O LOGO AFTER 07/17/0...
20	PS500017BU		30 PRO DOOR SKIN SERVICE KIT W/O LOGO AFTER 07/17/0...
20	PS500017BUBR		30 PRO DOOR SKIN SERVICE KIT W/O LOGO AFTER 07/17/0...
20	PS500017CB		30 PRO DOOR SKIN SERVICE KIT W/O LOGO AFTER 07/17/0...
20	PS500017CBBR		30 PRO DOOR SKIN SERVICE KIT W/O LOGO AFTER 07/17/0...
20	PS500017EP		30 PRO DOOR SKIN SERVICE KIT W/O LOGO AFTER 07/17/0...
20	PS500017EPBR		30 PRO DOOR SKIN SERVICE KIT W/O LOGO AFTER 07/17/0...
20	PS500017FG		30 PRO DOOR SKIN SERVICE KIT W/O LOGO AFTER 07/17/0...
20	PS500017FGBR		30 PRO DOOR SKIN SERVICE KIT W/O LOGO AFTER 07/17/0...
20	PS500017GG		30 PRO DOOR SKIN SERVICE KIT W/O LOGO AFTER 07/17/0...
20	PS500017GGBR		30 PRO DOOR SKIN SERVICE KIT W/O LOGO AFTER 07/17/0...
20	PS500017LE		30 PRO DOOR SKIN SERVICE KIT W/O LOGO AFTER 07/17/0...
20	PS500017LEBR		30 PRO DOOR SKIN SERVICE KIT W/O LOGO AFTER 07/17/0...
20	PS500017MJ		30 PRO DOOR SKIN SERVICE KIT W/O LOGO AFTER 07/17/0...
20	PS500017MJBR		30 PRO DOOR SKIN SERVICE KIT W/O LOGO AFTER 07/17/0...
20	PS500017SG		30 PRO DOOR SKIN SERVICE KIT W/O LOGO AFTER 07/17/0...
20	PS500017SGBR		30 PRO DOOR SKIN SERVICE KIT W/O LOGO - SG/BR
20	PS500017SS		30 PRO DOOR SKIN SERVICE KIT W/O LOGO AFTER 07/17/0...
20	PS500017SSBR		30 PRO DOOR SKIN SERVICE KIT W/O LOGO AFTER 07/17/0...
20	PS500017VB		30 PRO DOOR SKIN SERVICE KIT W/O LOGO AFTER 07/17/0...
20	PS500017VBBR		30 PRO DOOR SKIN SERVICE KIT W/O LOGO AFTER 07/17/0...
20	PS500017WH		30 PRO DOOR SKIN SERVICE KIT W/O LOGO AFTER 07/17/0...
20	PS500017WHBR		30 PRO DOOR SKIN SERVICE KIT W/O LOGO AFTER 07/17/0...
20	PS500021AL		30 PRO DOOR SKIN SERVICE KIT W/O LOGO BEFORE 07/17/...
20	PS500021ALBR		30 PRO DOOR SKIN SERVICE KIT W/O LOGO BEFORE 07/17/...
20	PS500021BK		30 PRO DOOR SKIN SERVICE KIT W/O LOGO BEFORE 07/17/...
20	PS500021BKBR		30 PRO DOOR SKIN SERVICE KIT W/O LOGO BEFORE 07/17/...
20	PS500021BT		30 PRO DOOR SKIN SERVICE KIT W/O LOGO BEFORE 07/17/...
20	PS500021BTBR		30 PRO DOOR SKIN SERVICE KIT W/O LOGO - BT/BR
20	PS500021BU		30 PRO DOOR SKIN SERVICE KIT W/O LOGO BEFORE 07/17/...
20	PS500021BUBR		30 PRO DOOR SKIN SERVICE KIT W/O LOGO BEFORE 07/17/...

Ref #	Part Number	Qty.	Description
20	PS500021BUBR		30 PRO DOOR SKIN SERVICE KIT W/O LOGO BEFORE 07/17/...
20	PS500021CB		30 PRO DOOR SKIN SERVICE KIT W/O LOGO BEFORE 07/17/...
20	PS500021CBBR		30 PRO DOOR SKIN SERVICE KIT W/O LOGO BEFORE 07/17/...
20	PS500021EP		30 PRO DOOR SKIN SERVICE KIT W/O LOGO BEFORE 07/17/...
20	PS500021EPBR		30 PRO DOOR SKIN SERVICE KIT W/O LOGO BEFORE 07/17/...
20	PS500021FG		30 PRO DOOR SKIN SERVICE KIT W/O LOGO BEFORE 07/17/...
20	PS500021FGBR		30 PRO DOOR SKIN SERVICE KIT W/O LOGO BEFORE 07/17/...
20	PS500021GG		30 PRO DOOR SKIN SERVICE KIT W/O LOGO BEFORE 07/17/...
20	PS500021GGBR		30 PRO DOOR SKIN SERVICE KIT W/O LOGO BEFORE 07/17/...
20	PS500021LE		30 PRO DOOR SKIN SERVICE KIT W/O LOGO BEFORE 07/17/...
20	PS500021LEBR		30 PRO DOOR SKIN SERVICE KIT W/O LOGO BEFORE 07/17/...
20	PS500021MJ		30 PRO DOOR SKIN SERVICE KIT W/O LOGO BEFORE 07/17/...
20	PS500021MJBR		30 PRO DOOR SKIN SERVICE KIT W/O LOGO BEFORE 07/17/...
20	PS500021SG		30 PRO DOOR SKIN SERVICE KIT W/O LOGO BEFORE 07/17/...
20	PS500021SGBR		30 PRO DOOR SKIN SERVICE KIT W/O LOGO BEFORE 07/17/...
20	PS500021SS		30 PRO DOOR SKIN SERVICE KIT W/O LOGO BEFORE 07/17/...
20	PS500021SSBR		30 PRO DOOR SKIN SERVICE KIT W/O LOGO BEFORE 07/17/...
20	PS500021VB		30 PRO DOOR SKIN SERVICE KIT W/O LOGO BEFORE 07/17/...
20	PS500021VBBR		30 PRO DOOR SKIN SERVICE KIT W/O LOGO BEFORE 07/17/...
20	PS500021WH		30 PRO DOOR SKIN SERVICE KIT W/O LOGO BEFORE 07/17/...
20	PS500021WHBR		30 PRO DOOR SKIN SERVICE KIT W/O LOGO BEFORE 07/17/...
21	PD020032		SRW-8(A)X3/8PH.WFR HD 7/16DIAXNICL
NI	G32012724AL		30 DOOR ASSY W/O LOGO XALX
NI	G32012724ALBR		30 DOOR ASSY W/O LOGO XALBRX
NI	G32012724BK		30 DOOR ASSY W/O LOGO XBKX
NI	G32012724BKBR		30 DOOR ASSY W/O LOGO XBKBRX
NI	G32012724BT		30 DOOR ASSY W/O LOGO XBTX
NI	G32012724BTBR		30 DOOR ASSY W/O LOGO XBTBRX
NI	G32012724BU		30 DOOR ASSY W/O LOGO XBUX
NI	G32012724BUBR		30 DOOR ASSY W/O LOGO XBUBRX
NI	G32012724CB		30 DOOR ASSY W/O LOGO XCBX
NI	G32012724CBBR		30 DOOR ASSY W/O LOGO XCBBRX
NI	G32012724EP		30 DOOR ASSY W/O LOGO XEPX
NI	G32012724EPBR		30 DOOR ASSY W/O LOGO XEPBRX
NI	G32012724FG		30 DOOR ASSY W/O LOGO XFGX
NI	G32012724FGBR		30 DOOR ASSY W/O LOGO XFGBRX
NI	G32012724GG		30 DOOR ASSY W/O LOGO XGGX
NI	G32012724GGBR		30 DOOR ASSY W/O LOGO XGGBRX
NI	G32012724LE		30 DOOR ASSY W/O LOGO XLEX
NI	G32012724LEBR		30 DOOR ASSY W/O LOGO XLEBRX
NI	G32012724MJ		30 DOOR ASSY W/O LOGO XMJX
NI	G32012724MJBR		30 DOOR ASSY W/O LOGO XMJBRX
NI	G32012724SG		30 DOOR ASSY W/O LOGO XSGX
NI	G32012724SGBR		30 DOOR ASSY W/O LOGO XSGBRX
NI	G32012724SS		30 DOOR ASSY W/O LOGO
NI	G32012724SSBR		30 DOOR ASSY W/O LOGO XSSBRX
NI	G32012724VB		30 DOOR ASSY W/O LOGO XVBX
NI	G32012724VBBR		30 DOOR ASSY W/O LOGO XVBBRX
NI	G32012724WH		30 DOOR ASSY W/O LOGO XWHX
NI	G32012724WHBR		30 DOOR ASSY W/O LOGO XWHBRX

*No Image  
Available*

Ref #	Part Number	Qty.	Description
NI	PE070738		T/STAT-SEL HARNESS BEFORE 7/27/10 (072710C00028944)
NI	PE070733		UPPER LATCH HARNESS BEFORE 7/27/10 (072710C00028944)
NI	024404-000	2	LATCH HARNESS ON OR AFTER 7/27/10 (072710C00028944)
NI	PE070739		BAKE ELEMENT HARNESS
NI	G4005496		SUPPLY WIRE - 100 BK 10GA SO/DO
NI	G4005497		SUPPLY WIRE - 100 GREEN 10GA SO/DO
NI	G4005499		SUPPLY WIRE - 100 RED 10GA SO/DO
NI	G4005494		SUPPLY WIRE - 75 WH 12 GA SO/DO
NI	PE070741		LOWER LIGHT HARNESS
NI	PE070744		DOUBLE CLOCK HARNESS BEFORE 7/27/10 (072710C00028944)
NI	PE070763		10 POSITION 30 L.O.
NI	PE070742		UPPER CONTROL HARNESS BEFORE 7/27/10 (072710C00028944)
NI	024399-000	1	UPPER OR SINGLE HARNESS ON OR AFTER 7/27/10 (072710C00028944)
NI	PE070736		LOWER CONTROL HARNESS BEFORE 7/27/10 (072710C00028944)
NI	PE070740		LOWER LATCH HARNESS BEFORE 7/27/10 (072710C00028944)
NI	017047-000	1	TOD2 RIBBON CABLE ON OR AFTER 7/27/10 (072710C00028944)
NI	024440-000	1	RIBBON CABLE ON OR AFTER 7/27/10 (072710C00028944)
NI	024461-000	1	LOWER ELEMENT/LATCH HARNESS ON OR AFTER 7/27/10 (072710C00028944)
NI	005294-000	1	MODEL 7 HEADER ON OR AFTER 7/27/10 (072710C00028944)
NI	PE070794	1	6 POSITION 30 L.O. BEFORE 7/27/10 (072710C00028944)
NI	005292-000	1	MODEL 5 HEADER ON OR AFTER 7/27/10 (072710C00028944)
NI	024400-000	1	LOWER HARNESS ON OR AFTER 7/27/10 (072710C00028944)