

This Owner's Manual is provided and hosted by [Appliance Factory Parts](#).



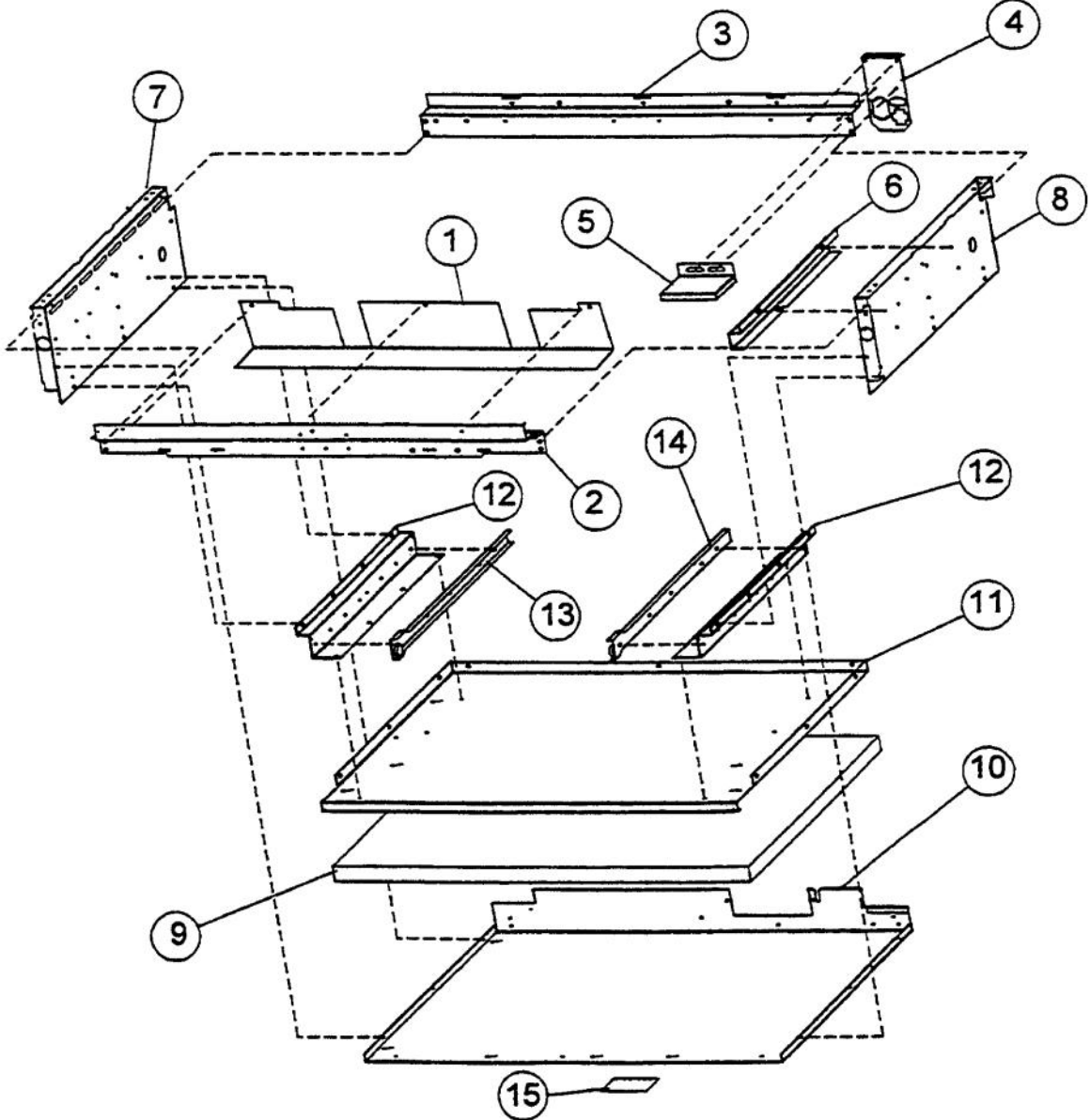
VIKING VESC305_1 Owner's Manual

[Shop genuine replacement parts for VIKING
VESC305_1](#)

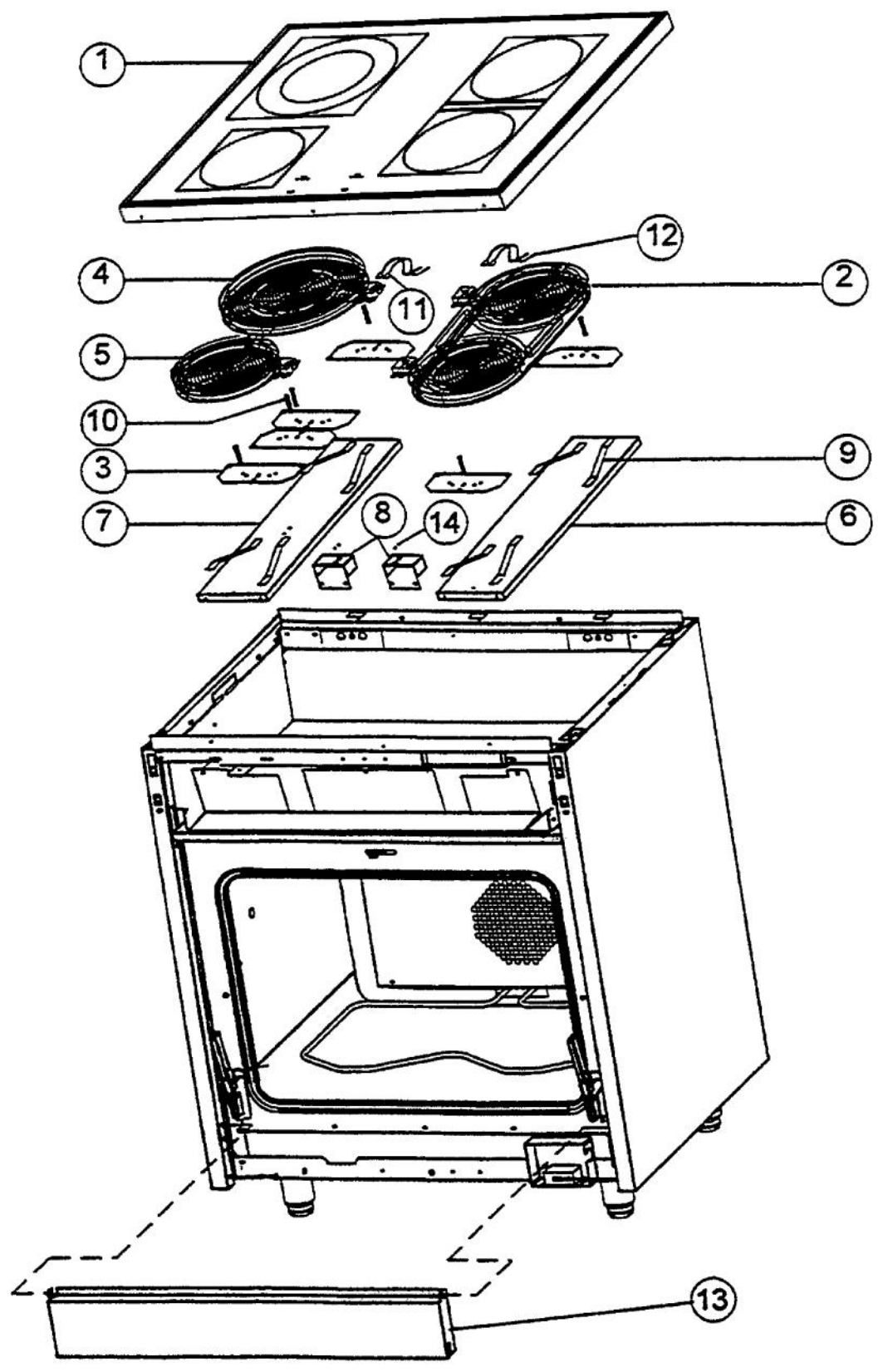


[Find Your VIKING Range Hoods Parts - Select From 411 Models](#)

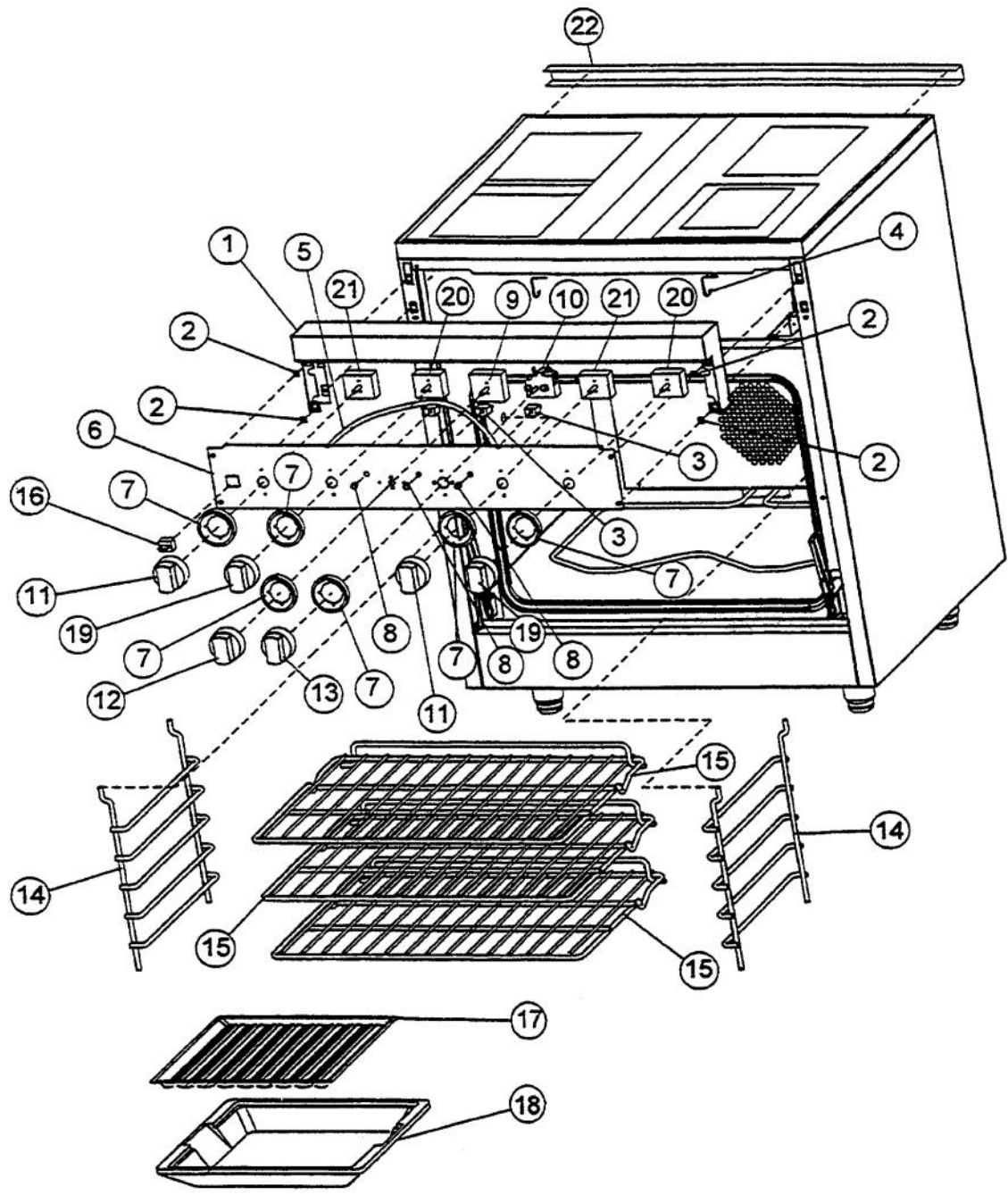
----- Manual continues below -----



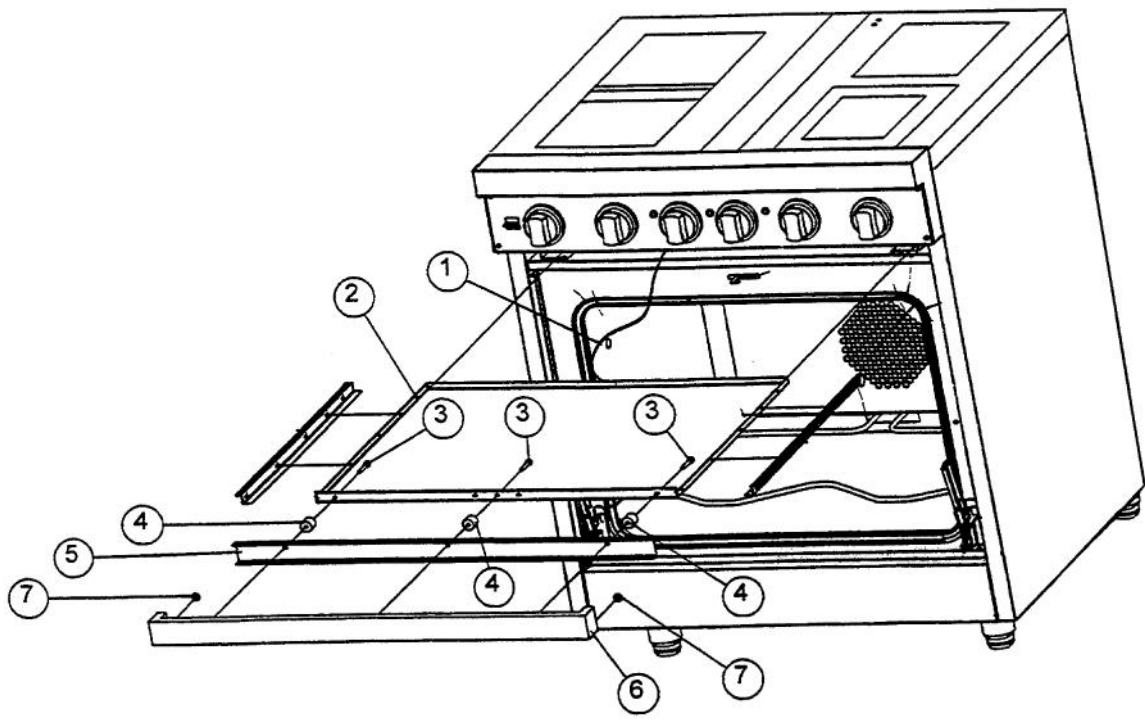
Ref #	Part Number	Qty.	Description
1	A2003004		CTRL PAN SHIELD (VESC305-4B)
2	A2003007		FRONT SUPT (VESC305-4B)
3	A2003008		REAR SUPT (VESC305-4B)
4	A1002492		PLUG BRKT
5	A2000667		SHIELD - OUTLET VRTR
6	A2000210		WIRE CHANNEL
7	A2002491		BURNER BOX SIDE LH (VDSC)
8	A2002490		BURNER BOX SIDE RH (VDSC)
9	PB070034		INSULATION-TRS-10 1 X 20 X 3'
10	A2002496		BURNER BOX BTM (VDSC30)
11	A2001401		INSULATION PANEL
12	A2001160		DRIP TRAY GUIDE BRKT (VGRT)
13	PK000007		DRIP TRAY GUIDE - LH (VGRT)
14	PK000008		DRIP TRAY GUIDE - RH
15	PE020047		RATING LABEL



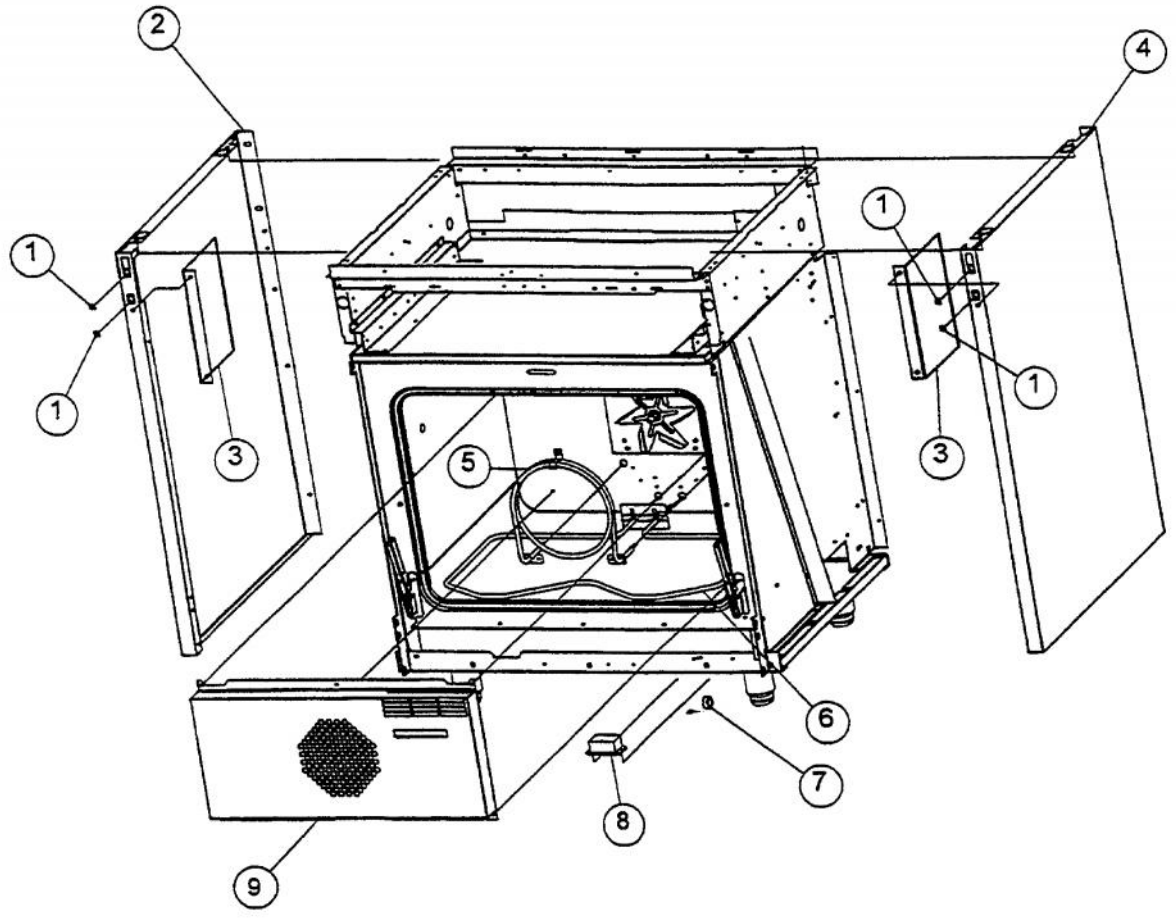
Ref #	Part Number	Qty.	Description
1	G5007437BK G5007437WH		CERAMIC TOP FRAME ASSY XBKX CERAMIC TOP FRAME ASSY XWHX
2	PJ020004		ELEMENT-(2)1800 X 800
3	PD040033		ELEMENT SHOULDER
4	PJ020001		ELEMENT-2400(1000)
5	PJ020003		ELEMENT
6	A2003020		ELEMENT SUPT RH (VESC305-4B)
7	A2003019		ELEMENT SUPT LH (VESC305-4B)
8	A2003003		BOX-SURFACE INDICATOR LIGHT (VESC30
9	C2003001		ELEMENT SPRING (VESC305-4B)
10	PD040032		SPACER (VESC/VERT) (1/4 X 1/4)
11	PE070174		ELEMENT HARNESS-LH (VESC305-4B)
12	PE070175		ELEMENT HARNESS-RH (VESC305-4B)
13	B2007412		LOWER ACCESS PANEL - SS
	C9007412AL		SUB TO C9001815AL - LOWER ACC PAN XALX 30
	C9007412BK		SUB TO C9001815BK - LOWER ACC PAN XBKX 30
	C9007412BT		SUB TO C9001815BT - LOWER ACC PAN XBTX 30
	C9007412BU		SUB TO C9001815BU - LOWER ACC PAN XBUX 30
	C9007412CB		KICK PLATE - CB
	C9007412EP		SUB TO C9001815EP - LOWER ACC PAN XEPX 30
	C9007412FG		SUB TO C9001815FG - LOWER ACC PAN XFGX 30
	C9007412GG		KICK PLATE - GG
	C9007412LE		KICK PLATE - LE
	C9007412LN		LOWER ACC PAN XLNX 30
	C9007412MJ		KICK PLATE - MJ
	C9007412PL		KICK PLATE - PL
	C9007412SG		KICK PLATE - SG
	C9007412VB		KICK PLATE - VB
	C9007412WH		SUB TO C9001815WH - LOWER ACC PAN XWHX 30
14	PE050023		OVEN IND. LIGHT (LENS & BEZEL)



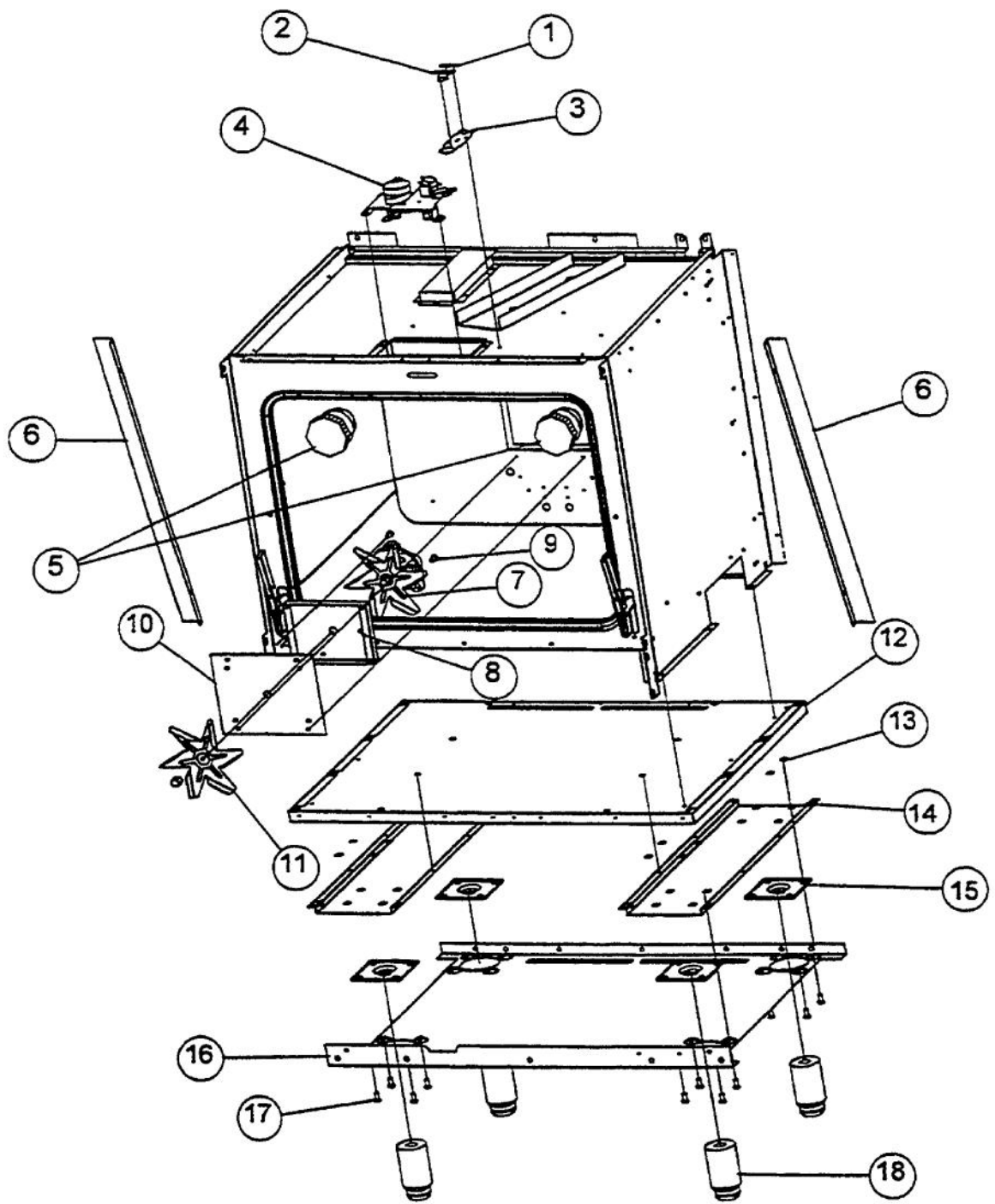
Ref #	Part Number	Qty.	Description
1	G3001406		LANDING LEDGE ASSY
2	PD030005		SELF RETAINING NUT
3	PE050024		OVEN IND. LIGHT (LIGHT HOUSING)
4	PD030032		WIRE CLIP
5	PE070152		CTRL PAN RESTRAINING STRAP
6	B92010452		CONTROL PANEL - VESC30
7	PB010208		BEZEL, CHROME PLATE
	PB010209		BEZEL BRASS
8	PE050023		OVEN IND. LIGHT (LENS & BEZEL)
9	PJ030001		SELECTOR SWITCH (8-POSITION) VDSC
10	PJ030003		THERMOSTAT (SELF-CLEAN) VDSC
11	PB010143		KNOB-DUAL INFINITE SWITCH XBKX
	PB010144		KNOB-DUAL INFINITE SWITCH XWHX
12	PB010131		SELECTOR KNOB - BK
	PB010132		SELECTOR KNOB XWHX (VDSC)
13	PB010129		THERMOSTAT KNOB XBKX (VDSC)
	PB010130		THERMOSTAT KNOB XWHX (VDSC)
14	PB060030		RACK SUPT REPL PB060010
15	PB060044		OVEN RK VDSC30/48RH REPL PB060019
16	PE050016		OVEN LIGHT SWITCH - XBKX (WES-GAR)
	PE050017		OVEN LIGHT SWITCH - XWHX (WES-GAR)
17	PB080002		BROILER PAN
18	PB080003		BROILER PAN TRAY (KRA2)
19	PB010145		KNOB-SINGLE INFINITE SWITCH XBKX
	PB010146		KNOB-SINGLE INFINITE SWITCH XWHX
20	PJ030007		INFINITE SWITCH
21	G50013538		PJ030027 INFINITE SWITCH SERVICE KIT
22	B2002762		REAR FRAME TRIM (VESC)



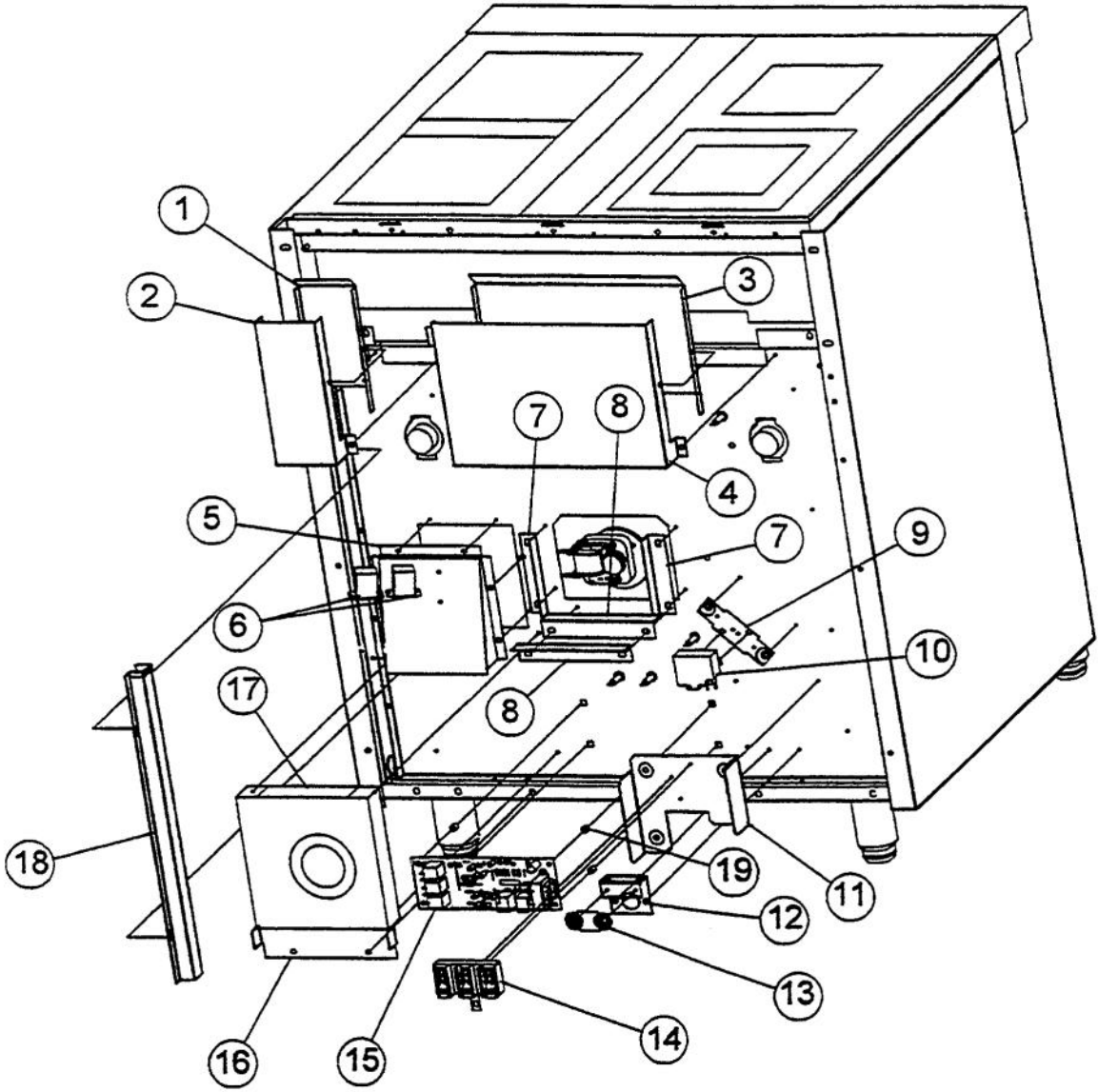
Ref #	Part Number	Qty.	Description
1	G4002752		DRIP TRAY GROUND WIRE (VDSC)
2	G3002599		DRIP TRAY (VDSC305)
3	PD020049		NO.10 X 1 1/4 PH. PAN HD. T(A)
4	PD040028		BUSHING(.194ID/.750OD/.750LONG)
5	B2002589		DRIP TRAY HAN BACK PLATE (VDSC30)
6	G3002584		DRIP TRAY HANDLE - SS (BEFORE 03/2404)
	G3002585PVD		DRIP TRAY HANDLE - BRASS
7	PD040004		GROMMET BUMPER



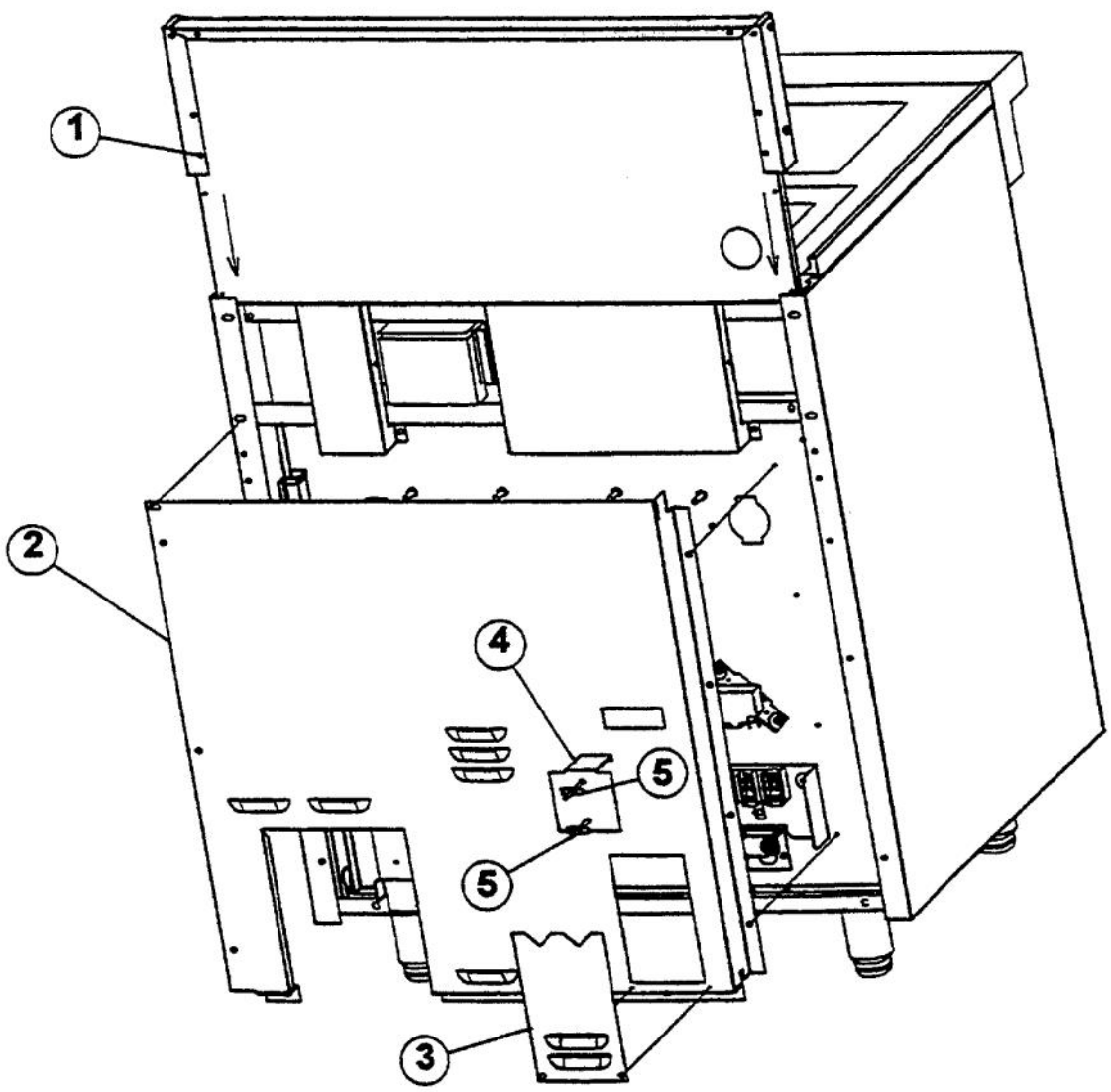
Ref #	Part Number	Qty.	Description
1	PD030050		10-24 CAGE NUT SS
2	B2002598		O/S BODY PANEL LH (SS)
	C9002598AL		BODY PNL LH 30" REPL C9001922AL
	C9002598BK		BODY PNL LH 30" REPL C9001922BK
	C9002598BT		O/S BODY PANEL-LH XBTX (VDSC)
	C9002598BU		BODY PNL LH 30" REPL C9001922BU
	C9002598CB		O/S BODY PANEL-LH XCBX (VDSC)
	C9002598EP		O/S BODY PANEL-LH XEPX (VDSC)
	C9002598FG		BODY PNL LH 30" REPL C9001922FG
	C9002598GG		BODY PNL LH 30" REPL C9001922GG
	C9002598LE		O/S BODY PANEL-LH XLEX (VDSC)
	C9002598LN		BODY PNL LH 30" REPL C9001922LN
	C9002598MJ		O/S BODY PANEL-LH XMJX (VDSC)
	C9002598PL		BODY PNL LH 30" REPL C9001922PL
	C9002598SG		O/S BODY PANEL-LH XSGX (VDSC)
	C9002598VB		BODY PNL LH 30" REPL C9001922VB
	C9002598WH		BODY PNL LH 30" REPL C9001922WH
3	J2002593		OVEN SIDE HEAT SINK
4	B2002597		O/S BODY PANEL - RH (SS)
	C9002597AL		O/S BODY PANEL-RH XALX (VDSC)
	C9002597BK		BODY PNL RH BK REPL C9001921BK
	C9002597BT		O/S BODY PANEL-RH XBTX (VDSC)
	C9002597BU		BODY PNL RH BU REPL C9001921BU
	C9002597CB		O/S BODY PANEL-RH XCBX (VDSC)
	C9002597EP		O/S BODY PANEL-RH XEPX (VDSC)
	C9002597FG		BODY PNL RH FG REPL C9001921FG
	C9002597GG		BODY PNL RH GG REPL C9001921GG
	C9002597LE		O/S BODY PANEL-RH XLEX (VDSC)
	C9002597LN		BODY PNL RH LN REPL C9001921LN
	C9002597MJ		O/S BODY PANEL-RH XMJX (VDSC)
	C9002597PL		BODY PNL RH PL REPL C9001921PL
	C9002597SG		O/S BODY PANEL-RH XSGX (VDSC)
	C9002597VB		BODY PNL RH VB REPL C9001921VB
	C9002597WH		BODY PNL RH WH REPL C9001921WH
5	PJ010003		CONVECTION ELEMENT (VDSC) 240V
6	PJ010004		BAKE ELEMENT (VDSC) 240V
7	PD040005		SNAP BUSHING - 7/8
8	PM010026		No.1 RELAY(DBL POLE/SNGL THROW)
9	E9102170		CONVECTION FAN COVER



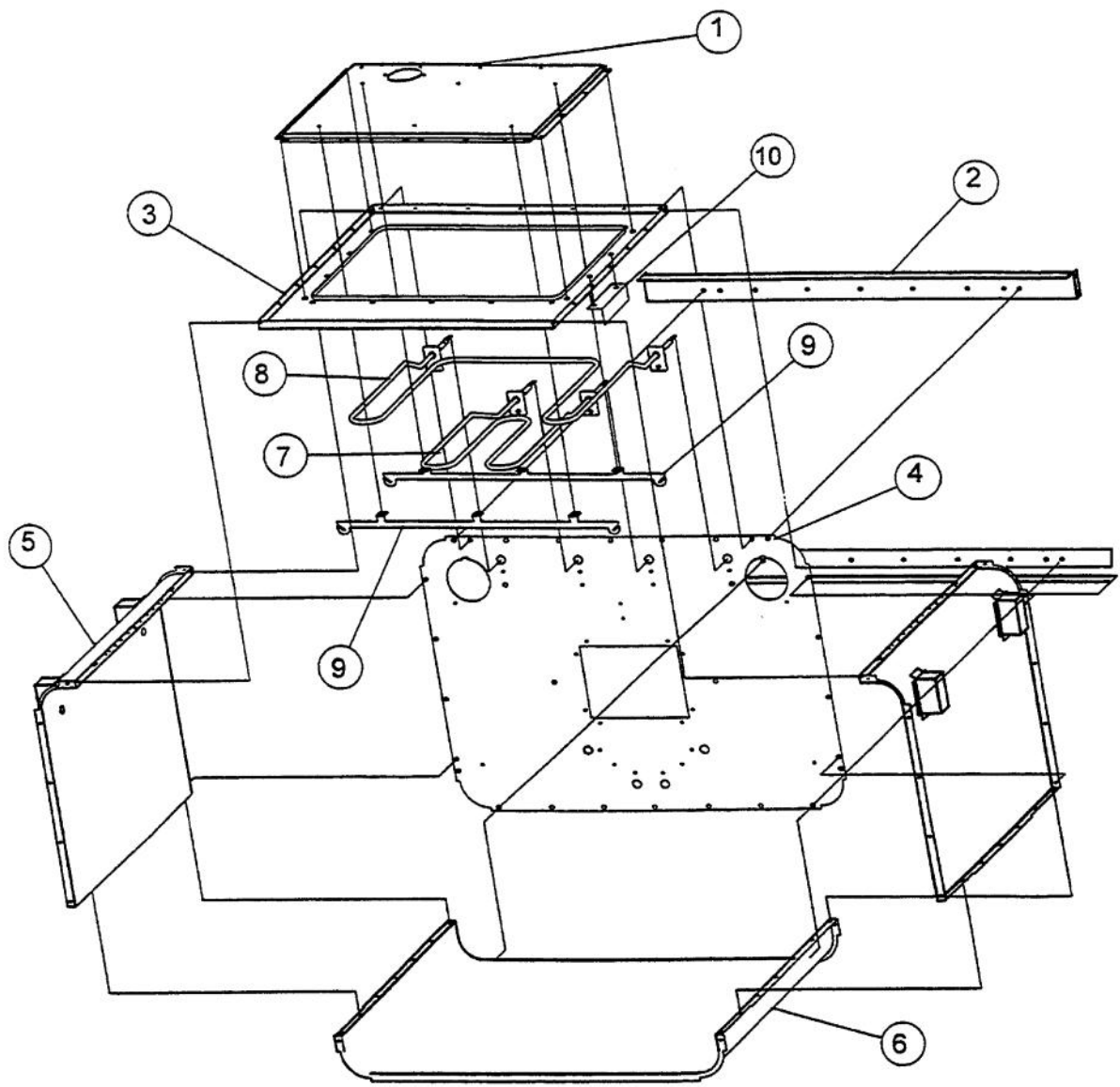
Ref #	Part Number	Qty.	Description
1	PJ030005		SWITCH (HIGH-LIMIT) VDSC
2	PJ030006		SWITCH (COOLING FAN)
3	A1002456		THERMO-DISC BRKT (VDSC)
4	PE050053		DR LATCH REPL PE050020
5	PE050009		OVEN LIGHT SOCKET - 36 BUILT-IN
6	A2002475		SIDE PANEL DIVERTER (VDSC)
7	PE050005		CONVECTION FAN ASSY
8	A2002595		CONVECTION FAN BOX (VDSC)
9	PD020003		NO.10 X 1/2 T(A) HEX WASHER HEAD
10	A1002596		CONVECTION FAN COVER (VDSC)
11	PE050005		CONVECTION FAN ASSY
12	A2002481		BTM INSULATION SHIELD (VDSC)
13	PD030029		SELF RETAINING NUT (1/4-20)
14	A2002482		LEG BRACE (VDSC)
15	PC030007		LEG PLATE - 3/4 THREADED HOLE
16	A2002480		MAIN BTM (VDSC)
17	PD010006		HEX HD. BOLT - 1/4-20 X 1/2
18	PC030017		4 LEG ASSY



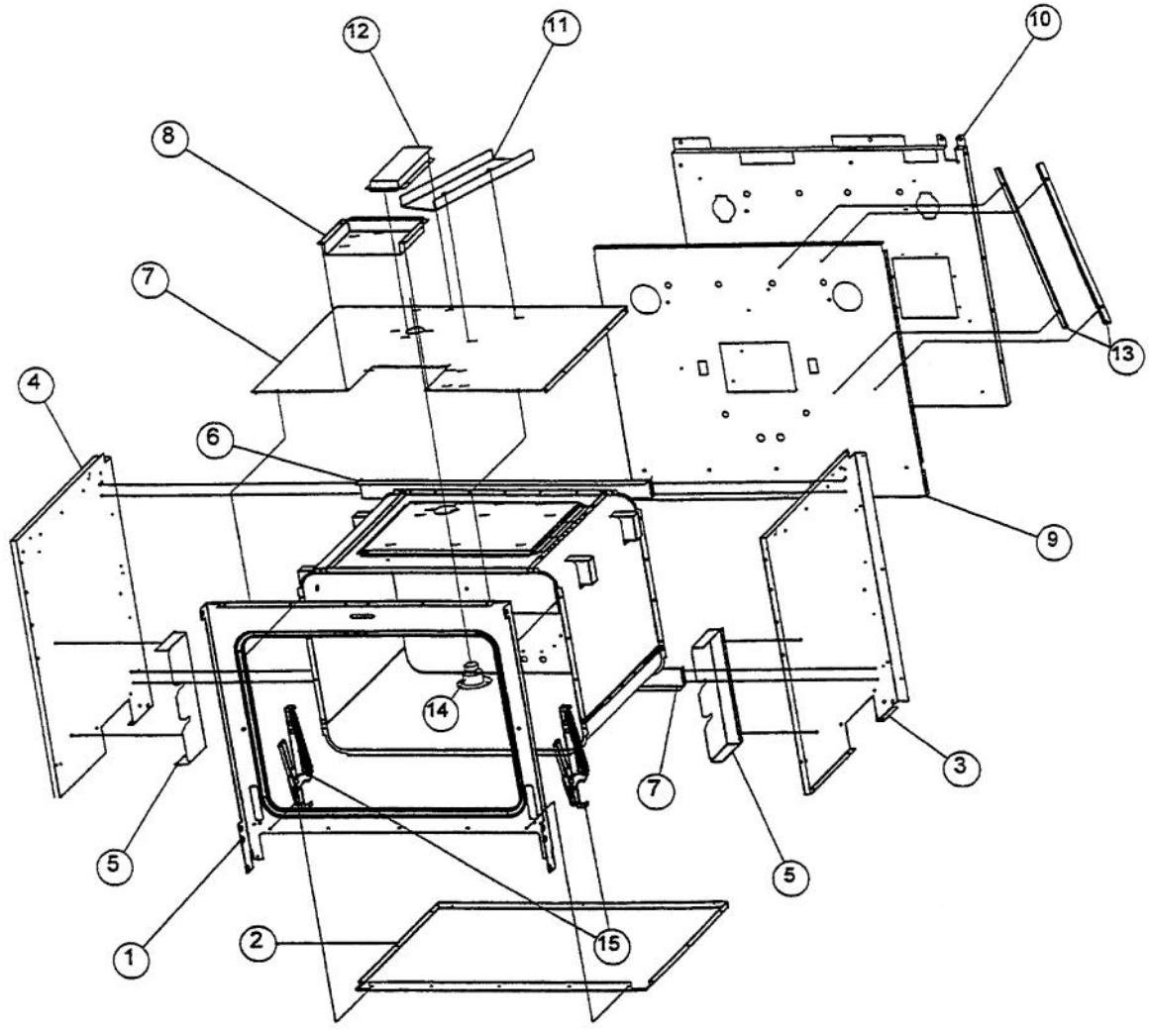
Ref #	Part Number	Qty.	Description
1	A2002484		AIR FLUE (VDSC)
2	A2002483		AIR FLUE (VDSC)
3	A2002486		AIR FLUE (LARGE-BACK) VDSC
4	A2002485		AIR FLUE (LARGE-FRONT) VDSC
5	A2002180		COOLING FAN HOUSING (VDSC)
6	PM010025		RELAY (DOUBLE POLE-DOUBLE THROW)
7	A2001746		FAN INSUL. SHIELD - SIDE
8	A2001745		FAN INSUL. SHIELD - UPPER / LOWER
9	A1002456		THERMO-DISC BRKT (VDSC)
10	PJ030002		AUTO RESET (SELF-CLEAN) VDSC
11	A2002193		ELECTRICAL MOUNTING BRKT (VDSC)
12	A2002195		POWER CORD MOUNTING BRKT (VDSC)
13	A1002457		POWER CORD MOUNTING STRAP (VDSC)
14	PE070147		TERMINAL BLOCK
15	PE070148		SELF-CLEAN BOARD/TIMER (VDSC)
16	A2002579		WIRE SHIELD (VDSC)
17	PE050026		COOLING FAN (VDSC)
18	A2000210		WIRE CHANNEL
19	PD030033		GROMMET NUT-ROUND HD. NO.8 X .500DIA.



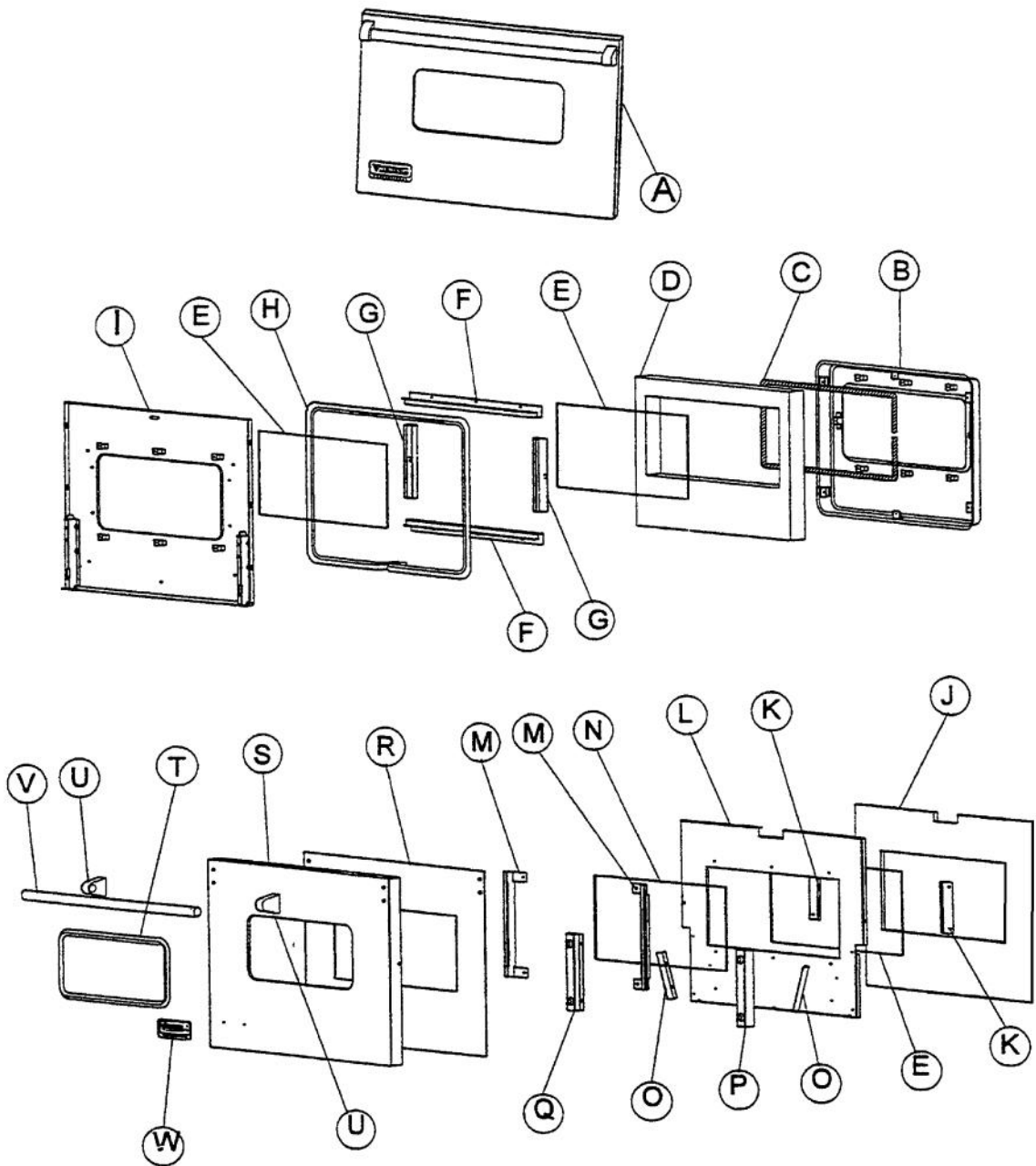
Ref #	Part Number	Qty.	Description
1	G3202341		BACKGUARD FRONT ASSY (VGSC/SS)
2	A2002453		BACK COVER (VDSC)
3	A2002454		BACK COVER ACCESS DOOR
4	A2002654		ANTI-TIP DEVICE (VDSC)
5	PD010018		TOGGLE BOLT (3/16 X 2)



Ref #	Part Number	Qty.	Description
1	B2002167		BROILER TOP (VDSC)
2	A2002158		REAR OVEN SUPT (VDSC)
3	E9102153		OVEN TOP (VDSC)
4	E9102741		OVEN BACK (VDSC30)
5	G9102736		OVEN SIDE ASSY (VDSC)
6	E9102152		OVEN BTM (VDSC)
7	PJ010001		BROIL ELEMENT 240V
8	PJ010002		BROIL ELEMENT(MAXI)-SIDE (VDSC)240V
9	B2002185		BROIL ELEMENT BRKT (VDSC)
NI	PD020003		NO.10 X 1/2 T(A) HEX WASHER HEAD
NI	PD020048		NO.10 X 1/2 TEK 410 SS SCREW
10	B2002489		THERMAL BULB SHIELD (VDSC)



Ref #	Part Number	Qty.	Description
1	G9102743		OVEN FRONT FRAME ASSY (VDSC30)
2	A2002157		OVEN BTM INSUL.RETAINER (VDSC)
3	A2002155		OVEN SIDE INSUL.RETAINER-RH(VDSC)
4	A2002156		OVEN SIDE INSUL.RETAINER-LH(VDSC)
5	A2002183		HINGE INSULATION COVER (VDSC)
6	A2002158		REAR OVEN SUPT (VDSC)
7	A2002160		OVEN TOP INSUL.RETAINER (VDSC)
8	A2002168		DOOR LATCH BRKT (VDSC)
9	A2002476		OVEN BACK INSULATION RETAINER (VDSC)
10	A2002159		O/S BACK (VDSC)
11	A2002450		LATCH COOLING DUCT (VDSC)
12	A2002479		SMOKE ELIMINATOR VENT (VDSC)
13	A2002477		AIR WASH ANGLE (VDSC)
14	PM010014		SMOKE ELIMINATOR (VDSC)
15	PC020009		HINGE ASSY (BROWN)



Ref #	Part Number	Qty.	Description
A	G3202172AL		DOOR SUB-ASSY-XALX (VDSC30)
	G3202172ALBR		DOOR SUB-ASSY-XALXXBRX VDSC30
	G3202172BK		DOOR SUB-ASSY-XBKX (VDSC30)
	G3202172BKBR		DOOR SUB-ASSY-XBKXXBRX (VDSC30)
	G3202172BT		DOOR SUB-ASSY-XBTX (VDSC30)
	G3202172BTBR		DOOR SUB-ASSY-XBTXBRX (VDSC30)
	G3202172BU		DOOR SUB-ASSY-XBUX (VDSC30)
	G3202172BUBR		DOOR SUB-ASSY-XBUXBRX (VDSC30)
	G3202172CB		DOOR SUB-ASSY-XCBX (VDSC30)
	G3202172CBBR		DOOR SUB-ASSY-XCBXXBR VDSC30
	G3202172EP		DOOR SUB-ASSY-XEPX(VDSC30)
	G3202172EPBR		DOOR SUB-ASSY-XEPXBRX (VDSC30)
	G3202172FG		DOOR SUB-ASSY-XFGX (VDSC30)
	G3202172FGBR		DOOR SUB-ASSY-XFGXXBRX (VDSC30)
	G3202172GG		DOOR SUB-ASSY-XGGX (VDSC30)
	G3202172GGBR		DOOR SUB-ASSY-XGGX (VDSC30)
	G3202172LE		DOOR SUB-ASSY-LEX (VDSC30)
	G3202172LEBR		DOOR SUB-ASSY-XLEXXBRX (VDSC30)
	G3202172LN		DOOR SUB-ASSY-XLNX (VDSC30)
	G3202172LNBR		DOOR SUB-ASSY-XLNXBRX (VDSC30)
	G3202172MJ		DOOR SUB-ASSY-XMJX (VDSC30)
	G3202172MJBR		DOOR SUB-ASSY-XMJXXBRX VDSC30
	G3202172PL		DOOR SUB-ASSY-XPLX (VDSC30)
	G3202172PLBR		DOOR SUB-ASSY-XPLXXBRX (VDSC30)
	G3202172SG		DOOR SUB-ASSY-XSGX (VDSC30)
	G3202172SGBR		DOOR SUB-ASSY-XSGXXBRX VDSC30
	G3202172SS		DOOR SUB-ASSY-XSSX (VDSC30)
	G3202172SSBR		DOOR SUB-ASSY-XSSXXBRX (VDSC30)
	G3202172VB		DOOR SUB-ASSY-XVBX (VDSC30)
	G3202172VBBR		DOOR SUB-ASSY-XVBXXBRX (VDSC30)
	G3202172WH		DOOR SUB-ASSY-XWHX (VDSC30)
	G3202172WHBR		DOOR SUB-ASSY-XWHXXBRX (VDSC30)
B	G50010120		VDSC305/VDSC485RH/VESC305/VESC306 DR LINER SVC-KIT (AFTER SERIAL NO. R01249700920)
	H9102175		SUB TO G9102745 - DOOR PLUG ASSY (BEFORE SERIAL NO. R01249700920)
C	PB070040		FIBERGLASS ROPE
D	D2002675		DOOR PLUG INSULATION
E	PE060039		GLASS-HEAT TREATED (HB2) VDSC
F	E9102178		WINDOW LINER-TOP/BTM (VDSC)
G	E9102179		WINDOW LINER-SIDE (VDSC)
H	PB070041		SUB TO 000623-000 - DOOR GASKET(3/8DIA.) (VDSC)
I	G50010120		VDSC305/VDSC485RH/VESC305/VESC306 DR LINER SVC-KIT
J	PB070034		INSULATION-TRS-10 1 X 20 X 3"
K	A2002189		DOOR GLASS STANDOFF (VDSC)
L	A2002169		DOOR INSULATION RETAINER (VDSC30)
M	A2002367		DOOR GLASS BRKT
N	PE060030		GLASS-OUTER DOOR BK SCREENED,TEMP
O	A2002497		DOOR GUIDE ANGLE VDSC
P	A2002498		HINGE POCKET COVER RH
Q	A2002499		HINGE POCKET COVER LH
R	J1002594		OVEN DR HEAT SINK (VDSC30)
S	B2002188		O/S DOOR PANEL XSSX (VDSC30)
	C9002188AL		O/S DOOR PANEL-XALX (VDSC30)
	C9002188BK		O/S DOOR PANEL-XBKX (VDSC30)
	C9002188BT		O/S DOOR PANEL-XBTX (VDSC30)
	C9002188BU		O/S DOOR PANEL-XBUX (VDSC30)
	C9002188CB		O/S DOOR PANEL-XCBX (VDSC30)
	C9002188EP		O/S DOOR PANEL-XEPX (VDSC30)
	C9002188FG		O/S DOOR PANEL-XFGX (VDSC30)

Ref #	Part Number	Qty.	Description
	C9002188FG		O/S DOOR PANEL-XFGX (VDSC30)
	C9002188GG		O/S DOOR PANEL-XGGX (VDSC30)
	C9002188LE		O/S DOOR PANEL-XLEX (VDSC30)
	C9002188LN		O/S DOOR PANEL-XLNX (VDSC30)
	C9002188MJ		O/S DOOR PANEL-XMJX (VDSC30)
	C9002188PL		O/S DOOR PANEL-XPLX (VDSC30)
	C9002188SG		O/S DOOR PANEL-XSGX (VDSC30)
	C9002188VB		O/S DOOR PANEL-XVBX (VDSC30)
	C9002188WH		O/S DOOR PANEL-XWHX (VDSC30)
T	PE060031		J-MOLD (LARGE WINDOW)
	PE060045		J-MOLD (LARGE WINDOW) XBRX
U	PE030001		BRACKET, DOOR, HANDLE
	PE030001PVD		END CAP DOOR HANDLE XBR
V	PE030005		DOOR HANDLE - VGSC30/RC60/RC48RH
	PE030012		HANDLE - BR
W	PE010016		NAMEPLATE, LOGO, PRO
	PE010017		LOGO (VGSO,VEDO,VGDO,VUD) XWH/CHR
	PE010079		4.5 LOGO/VIKING PROF, BK/BR
	PE010080		4.5 LOGO/VIKING PROF XWH/BR
NI	PD020032		SRW-8(A)X3/8PH.WFR HD 7/16DIAXNICL

*No Image
Available*

Ref #	Part Number	Qty.	Description
NI	A2000210	1	WIRE CHANNEL
NI	A2002579	1	WIRE SHIELD (VDSC)
NI	G4002752	1	DRIP TRAY GROUND WIRE (VDSC)