

This Owner's Manual is provided and hosted by [Appliance Factory Parts](#).



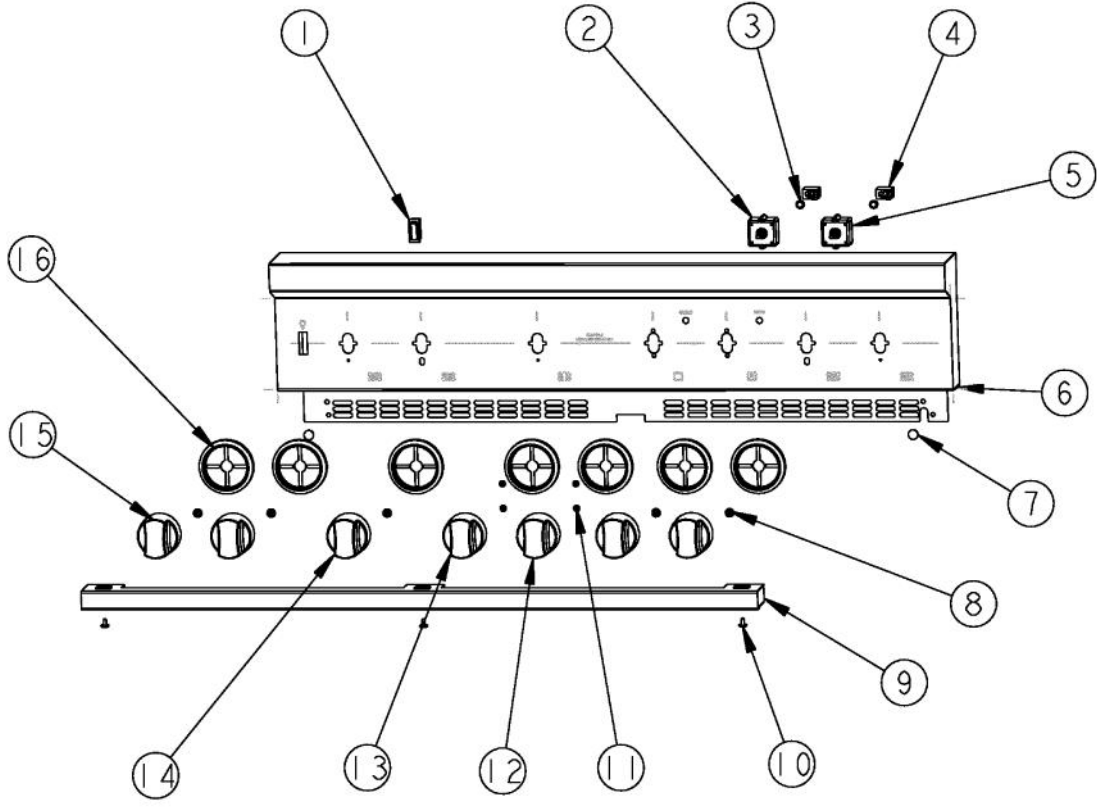
VIKING VDSC536-4Q Owner's Manual

[Shop genuine replacement parts for VIKING
VDSC536-4Q](#)

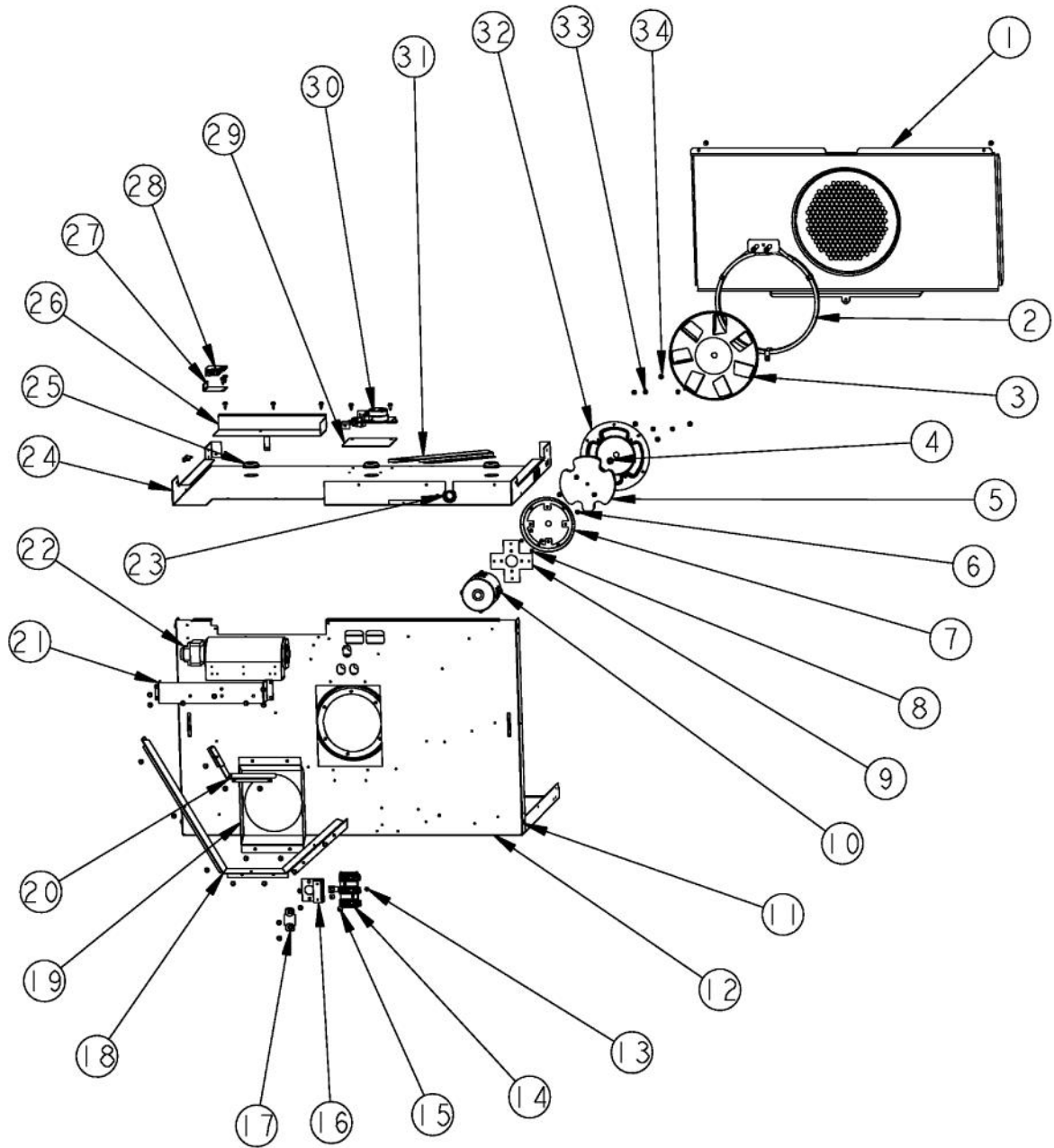


[Find Your VIKING Range Hoods Parts - Select From 411 Models](#)

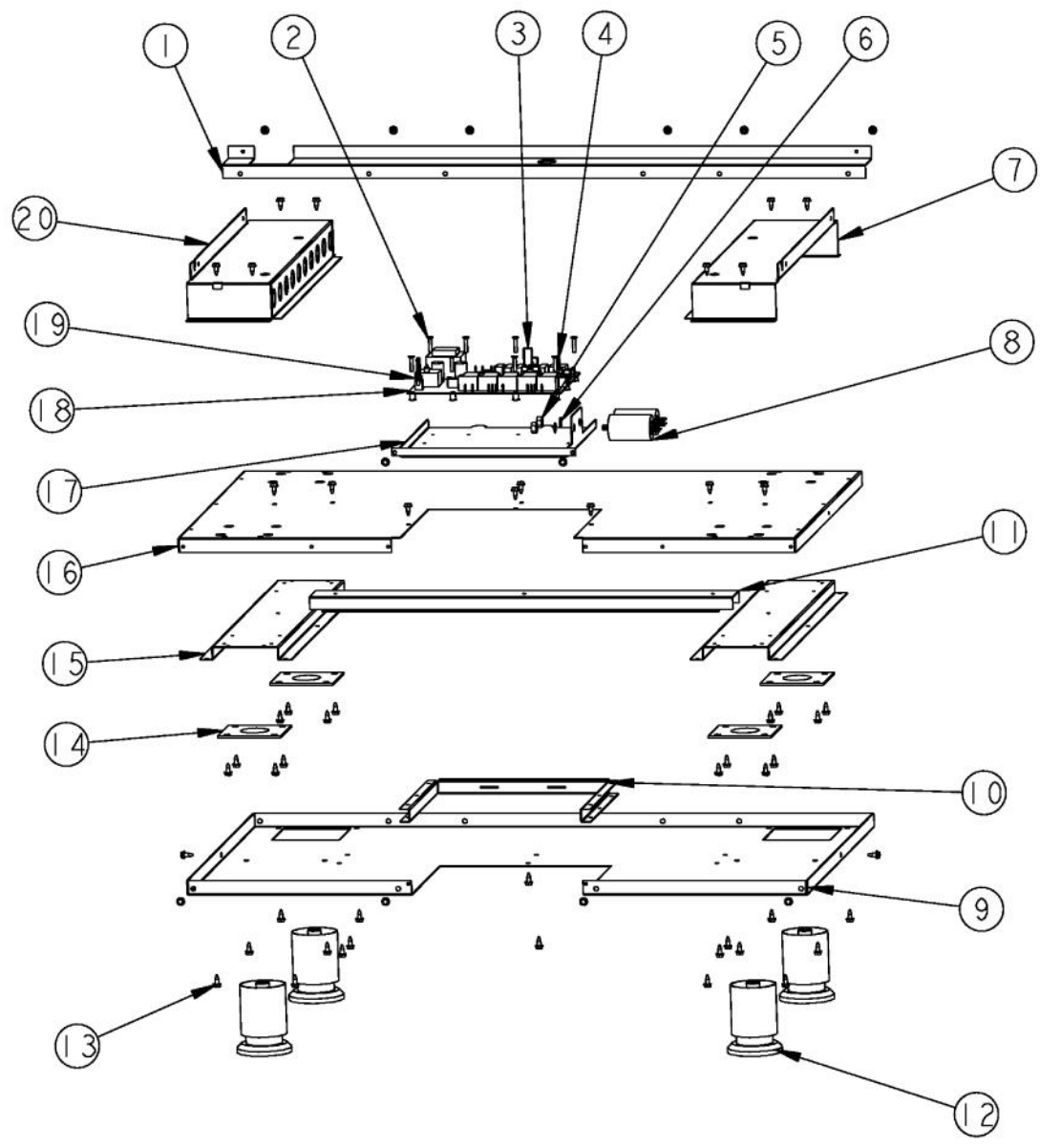
----- Manual continues below -----



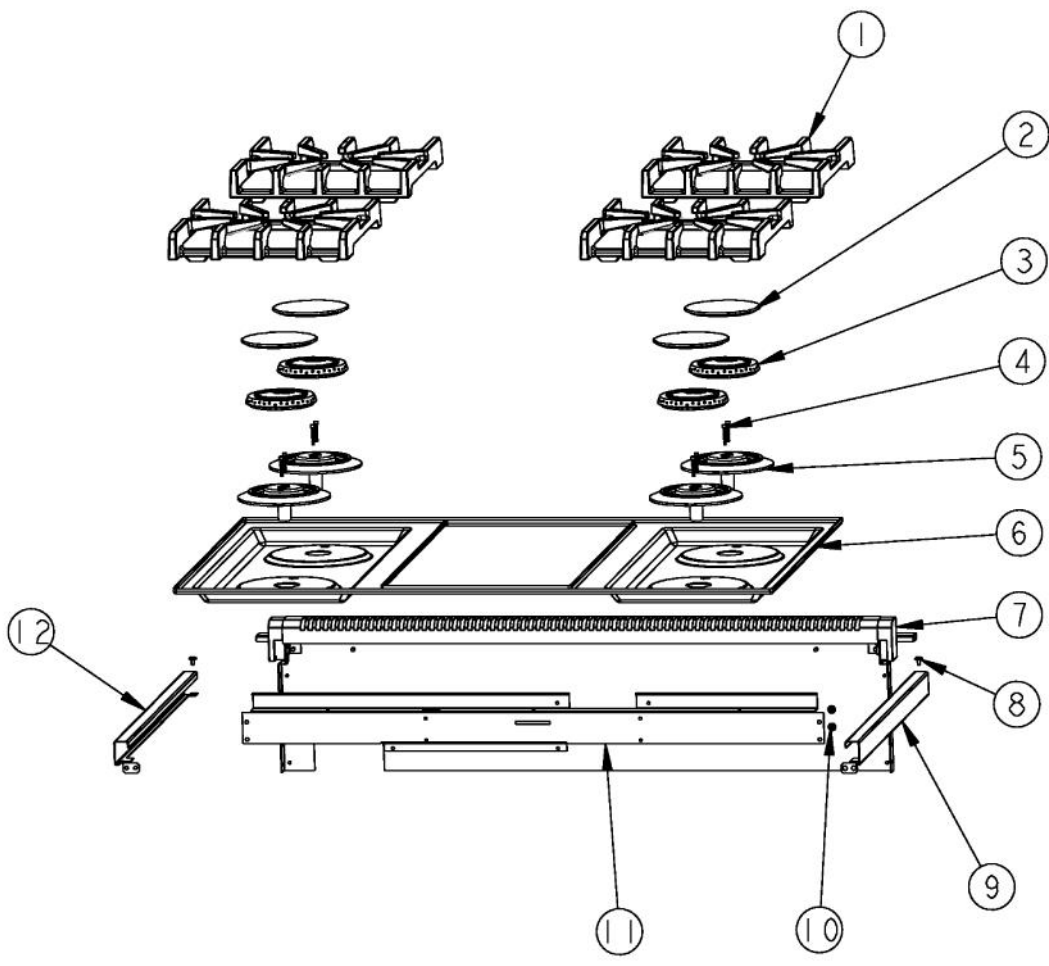
| Ref # | Part Number | Qty. | Description |
|-------|-------------|------|---|
| 1 | 003719-000 | 1 | OVEN LIGHT SWITCH, BLACK |
| 2 | PJ030033 | 1 | SELECTOR (10 POS) |
| 3 | PE050023 | 2 | OVEN IND. LIGHT (LENS & BEZEL) (BEFORE 7/20/10) |
| 4 | PE050072 | 2 | LENS OPENING (250 VOLT) (BEFORE 7/20/10) |
| NI | 021336-000 | 3 | INDICATOR, LT, RED, CHROME BEZEL, LED (7/20/10 TO 7/12/11) |
| NI | 015043-000 | 3 | INDICATOR, LIGHT, BLUE LED (ON OR AFTER 7/13/11) |
| 5 | PJ030035 | 1 | THERMOSTAT |
| 6 | 006464-000 | 1 | CONTROL PANEL WELDED ASSY, 36 -4Q |
| 7 | PD040004 | 2 | GROMMET BUMPER |
| 8 | PD020046 | 5 | NO.8 X 1/2 SCREWS |
| 9 | 011637-000 | 1 | TRIM, ASM |
| 10 | PD020032 | 3 | SRW-8(A)X3/8PH.WFR HD 7/16DIAXNICK |
| 11 | PD020062 | 4 | NO.8-32 X 3/8 PHMS TYPE 1 |
| 12 | 005270-000 | 1 | RANGE THERMOSTAT KNOB-BRUSHED, SSS BEFORE 12/20/12 |
| 12 | 035893-000 | 1 | KNOB,OVN,TSTAT, PRO VDSC/VESC CR3 AFTER (12/20/12) |
| 13 | 005271-000 | 1 | RANGE SELECTOR KNOB-BRUSHED, SSS BEFORE 12/20/12 |
| 13 | 035895-000 | 1 | KNOB,OVN,SEL, PRO VDSC/VESC CR3 AFTER (12/20/12) |
| 14 | 006574-000 | 1 | KNOB, GRL, ASM, PVD, NO.3, SSS BEFORE 12/20/12 |
| 14 | 035885-000 | 1 | KNOB,GRL,PRO CR3 AFTER (12/20/12) |
| 15 | 005269-000 | 4 | RANGE TOP BURNER KNOB-BRUSHED, SSS BEFORE 12/20/12 |
| 15 | 035881-000 | 4 | KNOB, BNR, TOP PRO CR3 AFTER (12/20/12) |
| 16 | PB010304 | 7 | KNOB BEZEL |



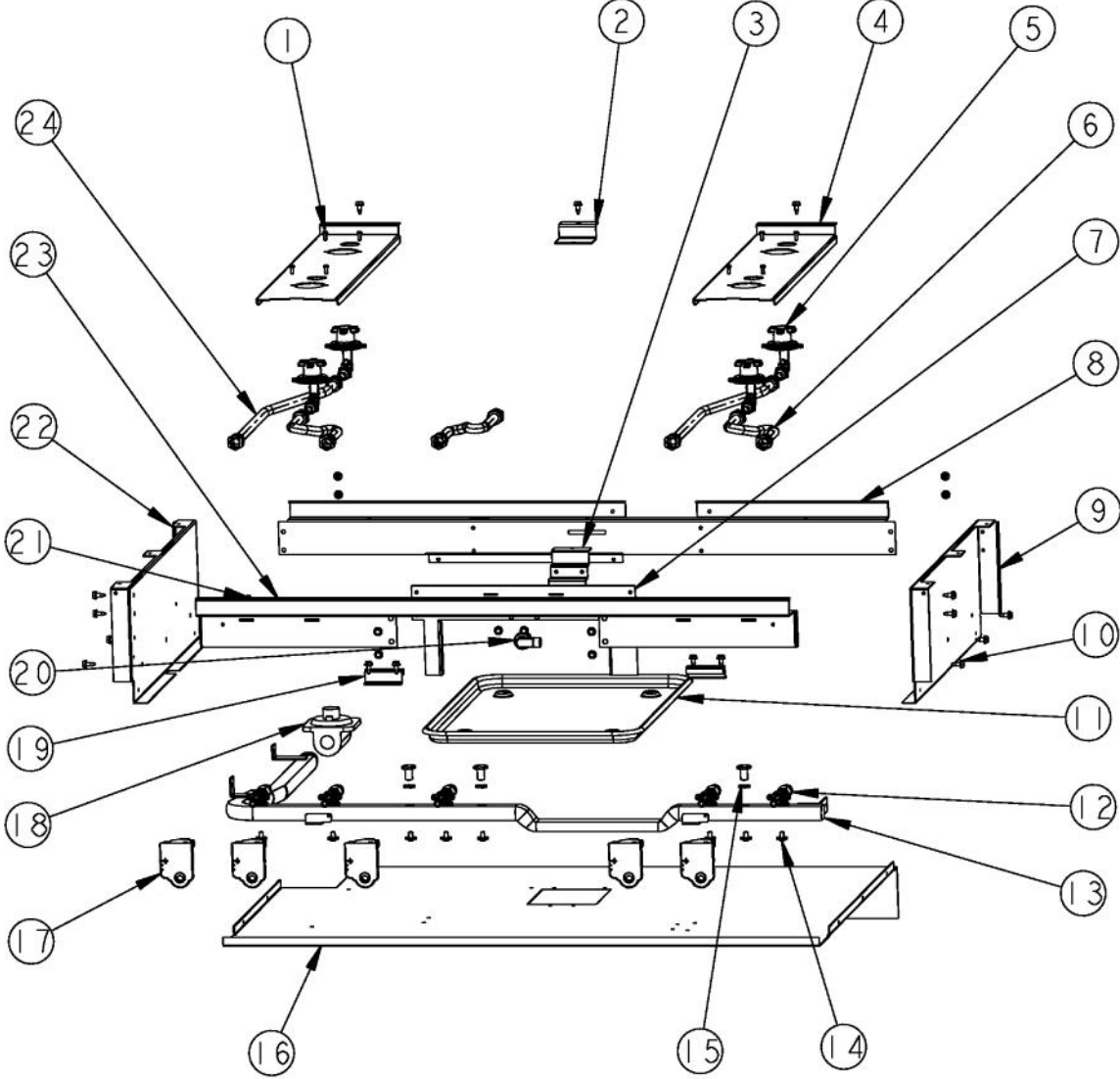
| Ref # | Part Number | Qty. | Description |
|-------|-------------|------|---|
| 1 | 006177-000 | 1 | BAFFLE, CNVN, ASM, VDSC 36 |
| 2 | PJ010047 | 1 | CONVECTION ELEMENT |
| 3 | PE050227 | 1 | CONVECTION FAN BLADE ASSY |
| 4 | PD030149 | 1 | 5/16 NUT |
| 5 | PB070312 | 1 | CONVECTION MOTOR MTG. PLATE INSULATION |
| 6 | PD020004 | 4 | 10X3/8PH.HD.TYPE 25 REPL PD040125 |
| 7 | A21012728 | 1 | BRKT, MTG, CONV MOTOR |
| 8 | PD010028 | 4 | BOLT M 4X5 |
| 9 | A10012735 | 1 | EBM FAN MOTOR ADAPTER |
| 10 | PE050203 | 1 | CONVECTION MOTOR |
| 11 | 003860-000 | 36 | NO.10-18 X .500 FASTNR,SCR,HXWH,STL,ZPLT |
| 12 | 004543-000 | 1 | OVEN BOTTOM, BACK WRAP ASSY 36 |
| 13 | PD020010 | 1 | 10 X 3/8 GREEN GROUNDING SCREW |
| 14 | PE070147 | 1 | TERMINAL BLOCK |
| 15 | PD020014 | 2 | 10X3/4 PH TR HD SMS |
| 16 | A2002195 | 1 | POWER CORD MOUNTING BRKT (VDSC) |
| 17 | A1002457 | 1 | POWER CORD MOUNTING STRAP (VDSC) |
| 18 | 002941-000 | 1 | BAFFLE, FAN, REAR |
| 19 | A2009697 | 1 | BRACKET, CONVECTION INSULATION |
| 20 | 003356-000 | 1 | DIVERTER, AIR |
| 21 | 004110-000 | 1 | MOUNT,BLOWER |
| 22 | PE050250 | 1 | PREMIUM BLOWER WITH HES (BEFORE 8/10/2013) |
| 22 | 018607-000 | 1 | FAN,BLO, 220-240V 50/60HZ ASSY (ON OR AFTER 8/10/2013) |
| 23 | PD040005 | 1 | SNAP BUSHING - 7/8 |
| 24 | 004547-000 | 1 | RANGE TOP BRACE, AIR CHANNEL, 36 |
| 25 | PB070079 | 3 | SILICONE EXTRUSION (DGSU) |
| 26 | A2009659 | 1 | BRACKET, FILLER, BLOWER |
| 27 | A20012649 | 1 | DOOR SWITCH BRACKET |
| 28 | PE050208 | 1 | DOOR SWITCH |
| 29 | PB070321 | 1 | LOWER LATCH INSULATION |
| 30 | PE050210 | 1 | DOOR LATCH |
| 31 | 004698-000 | 1 | FLUE DUCT, VDSC36 |
| 32 | E91012727 | 1 | PLATE, MOUNTING, CONV MOTOR |
| 33 | PD020055 | 4 | NO.10 X 1/2 PAN PHIL. TEK. SS |
| 34 | PD020048 | 11 | NO.10 X 1/2 TEK 410 SS SCREW |



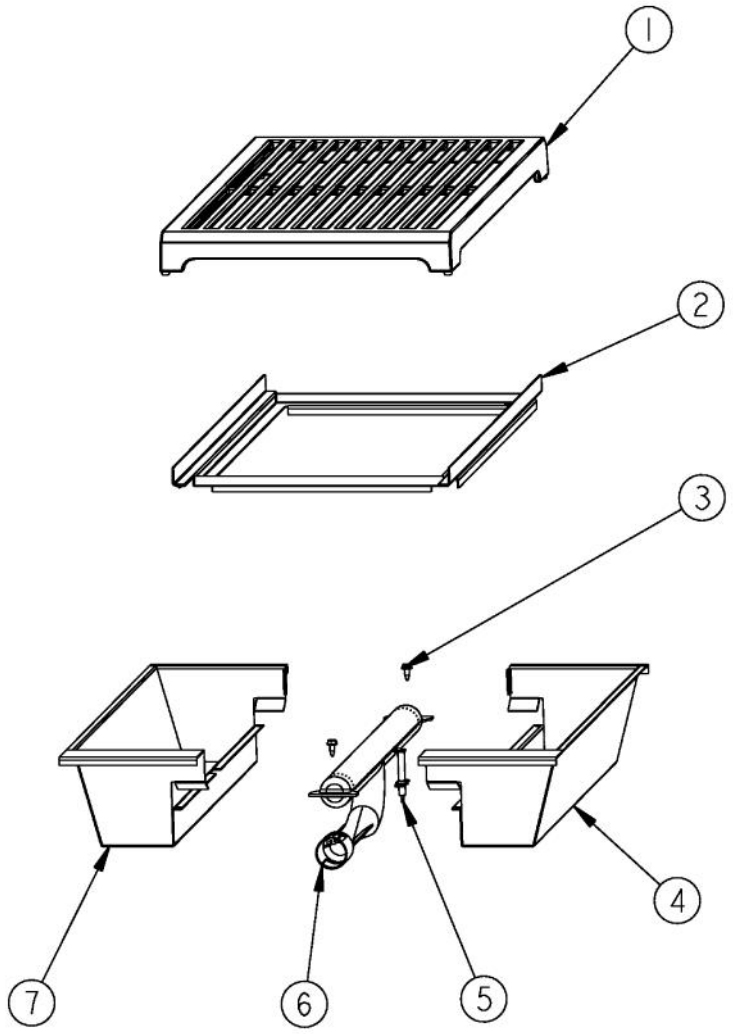
| Ref # | Part Number | Qty. | Description |
|-------|-------------|------|---|
| 1 | 004503-000 | 1 | BASE, LEDG, BACK, 36 |
| 2 | PD020043 | 8 | NO.6-32 X .750 PH. CTRSK T(F)-VGSO166 |
| 3 | PE070734 | 1 | SINGLE OVEN HEADER |
| 4 | 009632-000 | 1 | MODEL 10 HEADER |
| 5 | PD030172 | 2 | M8 X 1.25MM NUT |
| 6 | PD040164 | 2 | 5/16 INTERNAL TOOTH LOCK WASHER TYPE A |
| 7 | 003761-000 | 1 | OVEN MODULE SUPPORT CHANNEL, RH |
| 8 | PE050247 | 2 | EBM FAN MOTOR CAPACITOR |
| 9 | 003326-000 | 1 | PLATE, BASE, LWR, 36 |
| 10 | 003054-000 | 1 | BASE CENTER CUTOUT STIFFENER |
| 11 | 003327-000 | 1 | BRACE, BASE, 36 |
| 12 | PC030031 | 4 | ADJUSTABLE LEG |
| 13 | 003860-000 | 66 | NO.10-18 X .500 FASTNR,SCR,HXWH,STL,ZPLT |
| 14 | PC030007 | 4 | LEG PLATE - 3/4 THREADED HOLE |
| 15 | 003053-000 | 2 | BASE LEG SUPPORT CHANNEL |
| 16 | 003328-000 | 1 | PLATE, BASE, UPR, 36 |
| 17 | 003050-000 | 1 | CONTROL BOARD MOUNTING PLATE (BEFORE 7/28/10) |
| 17 | 015096-000 | 1 | PLATE, MTG, EOC4 CONTROL BOARD (ON OR AFTER 7/28/10) |
| 18 | 000621-000 | 1 | SUB TO 002406-000 - CONTROL BOARD (BEFORE 7/28/10) |
| 18 | 014000-000 | 1 | EOC4-CONTROL BOARD (ON OR AFTER 7/28/10) |
| 18 | 038419-000 | 1 | CONTROL,BD,EOC4, CB AFTER 2/4/13 |
| NI | 021340-000 | 1 | LINEAR POWER SUPPLY, SINGLE (ON OR AFTER 7/28/10) |
| NI | 024909-000 | 1 | SHIELD, WRG |
| 19 | 000915-000 | 1 | LIMIT JUMPER |
| 20 | 003763-000 | 1 | OVEN MODULE SUPPORT CHANNEL, LH |
| NI | 010989-002 | 1 | KICKPLATE, BK |
| NI | 010989-003 | 1 | KICKPLATE, BT 36 |
| NI | 010989-004 | 1 | KICKPLATE, SG 36 |
| NI | 010989-005 | 1 | KICKPLATE, 36 GG |
| NI | 010989-006 | 1 | KICKPLATE, 36 WH |
| NI | 010989-008 | 1 | KICKPLATE, BU 36 |
| NI | 010989-009 | 1 | KICKPLATE, LE 36 |
| NI | 010989-010 | 1 | KICKPLATE, MJ 36 |
| NI | 010989-012 | 1 | KICKPLATE, VB 36 |
| NI | 010989-013 | 1 | KICKPLATE - CB |
| NI | 010989-015 | 1 | KICKPLATE, PL 36 |
| NI | 010989-016 | 1 | KICKPLATE, CH 36 |
| NI | 010989-017 | 1 | KICKPLATE, TP 36 |
| NI | 010989-018 | 1 | KICKPLATE, CW 36 |
| NI | 010989-019 | 1 | KICKPLATE, OG 36 |
| NI | 010989-020 | 1 | KICKPLATE, GM 36 |
| NI | 010989-021 | 1 | KICKPLATE, SA 36 |
| NI | 010989-022 | 1 | KICKPLATE, SE 36 |
| NI | 010989-023 | 1 | KICKPLATE, IB 36 |
| NI | 010989-024 | 1 | KICKPLATE, AR 36 |
| NI | 010989-025 | 1 | KICKPLATE, RR 36 |
| NI | 010989-026 | 1 | KICKPLATE, PM 36 |
| NI | 010989-027 | 1 | KICKPLATE, MS 36 |



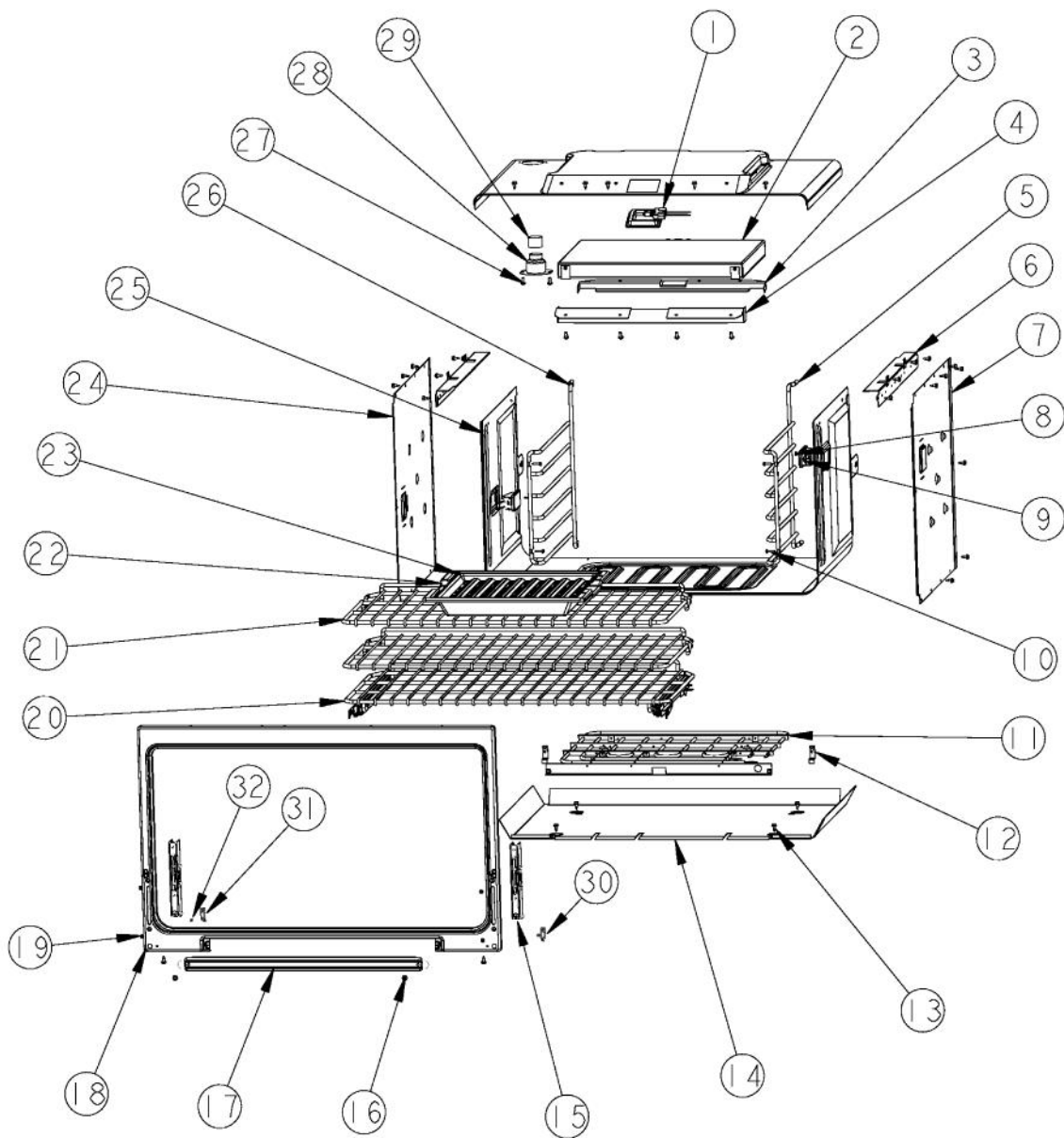
| Ref # | Part Number | Qty. | Description |
|-------|-------------|------|--|
| 1 | 007323-000 | 4 | BURNER GRATE |
| 2 | PA080083 | 4 | D BURNER CAP XMATTE BLACKX |
| 3 | 006706-000 | 4 | B6 REV SEALED BURNER |
| 4 | 003606-000 | 8 | NO.6-32 SOCKET HEAD SCREW |
| 5 | 003322-041 | 4 | SEALED BURNER BASE, PAINTED FINISH |
| 6 | E9108438BK | 1 | MAIN TOP (VGRT4G/Q) XBKX |
| 7 | 006900-000 | 1 | ISLAND TRIM, ASM, 36 CUSTOM |
| 8 | PD020032 | 2 | SRW-8(A)X3/8PH.WFR HD 7/16DIAXNICL |
| 9 | 002920-000 | 1 | SIDE TRIM, RH - STAINLESS |
| 10 | 003860-000 | 7 | NO.10-18 X .500 FASTNR,SCR,HXWH,STL,ZPLT |
| 11 | 008752-000 | 1 | BURNER BOX ASSY, VDSC536-4Q |
| 12 | 003649-000 | 1 | SIDE TRIM, LH - STAINLESS |



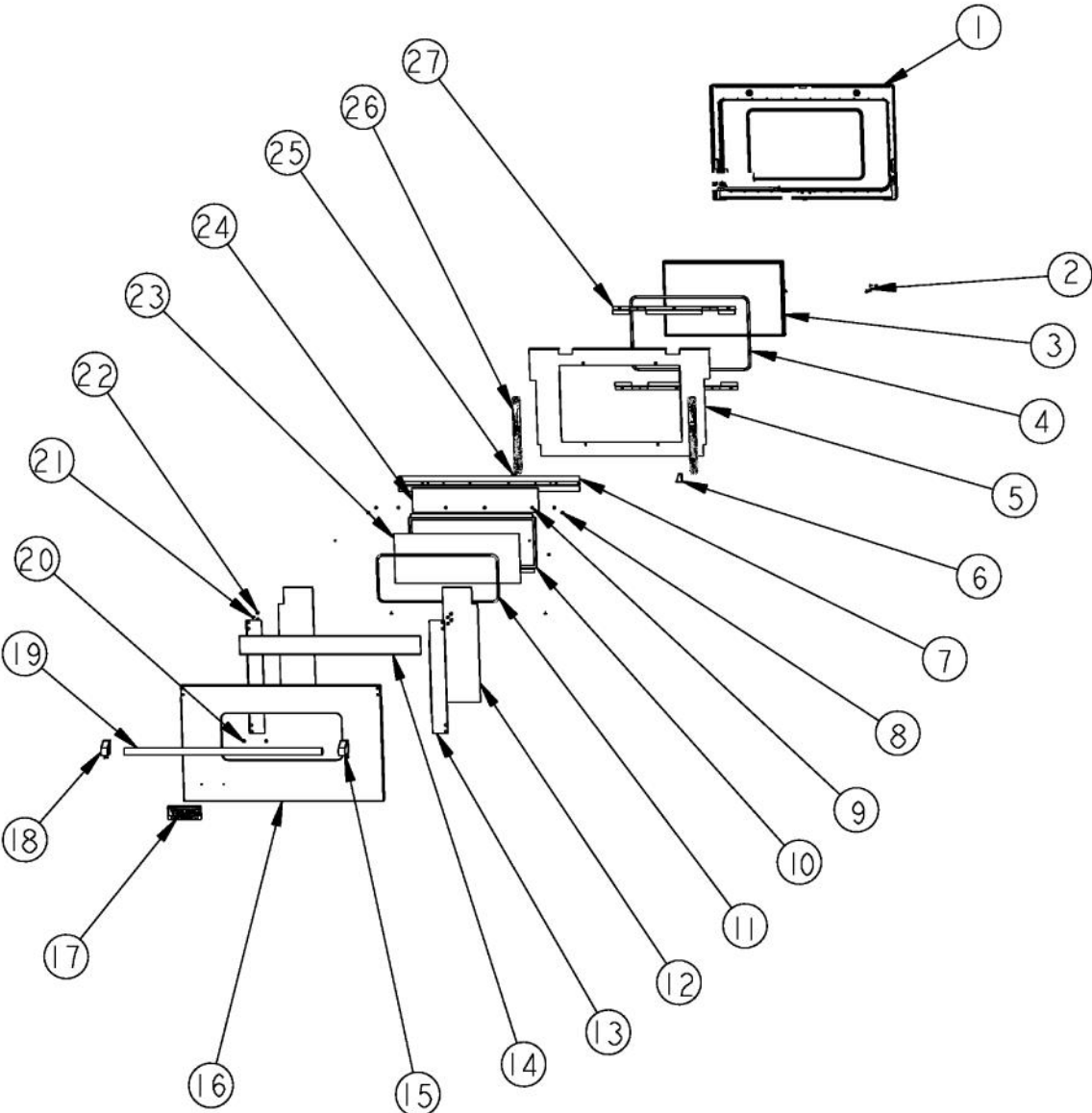
| Ref # | Part Number | Qty. | Description |
|-------|-------------|------|---|
| 1 | PD020076 | 8 | 6-32 X 3/8 PHILL PAN MS |
| 2 | 008636-000 | 1 | BRACKET, BURNER, GRILL, REAR |
| 3 | 007776-000 | 2 | MOUNT, GRILL, BURNER, FRONT |
| 4 | 002923-000 | 2 | BURNER MODULE SUPPORT |
| 5 | 001394-042 | 4 | 15000 BTU NAT JETHOLDER |
| 5 | 001394-046 | 4 | 12.5 K BTU LP JETHOLDER |
| 6 | PB020192 | 3 | 10 FLEX TUBING W/CONNECTORS |
| 7 | 008637-000 | 1 | ADAPTER BRACKET, FRONT SUPT |
| 8 | 004602-000 | 1 | REAR SUPPORT, BURNER BOX 36 |
| 9 | 002755-000 | 1 | BURNER BOX SIDE, RH |
| 10 | 003860-000 | 27 | NO.10-18 X .500 FASTNR,SCR,HXWH,STL,ZPLT |
| 11 | PB080061 | 1 | GREASE PAN |
| 12 | 006015-000 | 1 | VALVE, BRS, SEALED TOP - ISPHORDING |
| 13 | 005480-000 | 1 | MANIFOLD, GAS, VDSC36 - 6B |
| 14 | PD010012 | 7 | VALVE BOLT 1/4-20 UNC-2B 5/16 M.S. |
| 15 | 002884-000 | 3 | MANIFOLD PLUG |
| 16 | 008449-000 | 1 | BURNER BOX BOTTOM, 36 (BEFORE 01/11/11) |
| 16 | 024659-000 | 1 | BURNER,BOX,BOT,VDSC536T (ON OR AFTER 01/11/11) |
| 17 | PA020058 | 5 | IRIS SINGLE SPARK MODULE |
| 18 | PA070001 | 1 | PRESSURE REGULATOR (NAT.) |
| 18 | 000714-000 | 1 | LP REGULATOR |
| 19 | 008286-000 | 2 | BRACKET,DRIP,PAN,CUSTOM,Q-MODELS |
| 20 | PB040238 | 1 | 90 DEGREE ORIFICE FITTING, NAT NO.47 |
| 21 | PD020010 | 1 | 10 X 3/8 GREEN GROUNDING SCREW |
| 22 | 003481-000 | 1 | BURNER BOX SIDE, LH |
| 23 | 004603-000 | 1 | FRONT SUPPORT, BURNER BOX 36 |
| 24 | PB020193 | 2 | 16 FLEX TUBING W/CONNECTORS |



| Ref # | Part Number | Qty. | Description |
|-------|-------------|------|--|
| 1 | 010168-000 | 1 | CUSTOM RANGE GRILL GRATE |
| 2 | 012897-000 | 1 | PLATE, SMK, GENERATOR, ASM |
| 3 | 003860-000 | 2 | NO.10-18 X .500 FASTNR,SCR,HXWH,STL,ZPLT |
| 4 | 007782-000 | 1 | DRIP TRAY, WELDED ASM, RH |
| 5 | PA020028 | 1 | SPARK IGNITER |
| 6 | 007878-000 | 1 | BURNER, GRIL, ASM |
| 7 | 008152-000 | 1 | DRIP TRAY, WELDED ASM, LH |



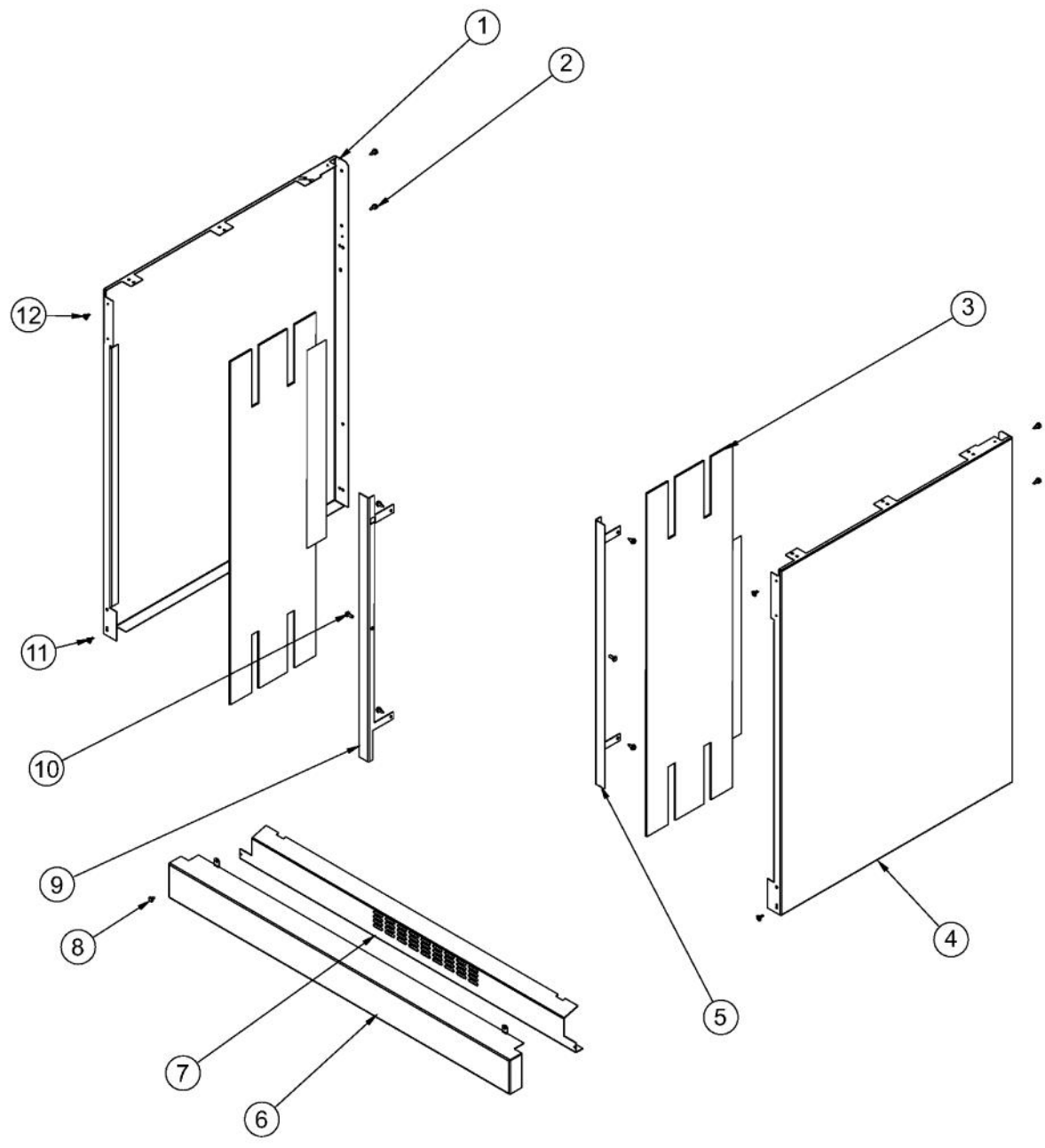
| Ref # | Part Number | Qty. | Description |
|-------|----------------|------|--|
| 1 | 005312-000 | 1 | BJB SLIMLINE 40 W BULB |
| 2 | PJ010050 | 4 | SEALED BROIL ELEMENT W/GLASS |
| 3 | B20014051 | 1 | PREMIERE BROIL ELEMENT BRACKET REAR |
| 4 | B20014050 | 1 | PREMIERE BROIL ELEMENT BRACKET FRONT |
| 5 | 003039-000 | 1 | RACK GUIDE ASSY, RH |
| 6 | A2009641 | 2 | BRKT, TOP WRAPPER |
| 7 | A2009622 | 1 | BRKT, TOP WRAPPER, RIGHT |
| 8 | PD020067 | 1 | NO.6 X 3/8 PAN PHIL. TEK SS |
| 9 | 005311-000 | 1 | 120V/25W HALOGEN LIGHT |
| 10 | PD020232 | 1 | NO.8 X 3/4 PH PAN HEAD TEK SCREW (BLACK OXIDE) |
| 11 | PJ010048 | 1 | BAKE ELEMENT |
| 12 | A2009696 | 1 | HOLDER, BAKE ELEMENT |
| 13 | 003860-000 | 37 | NO.10-18 X .500 FASTNR,SCR,HXWH,STL,ZPLT |
| 14 | 004541-000 | 1 | ELEMENT, MTG TRAY 36 |
| 15 | 031679-000 | 1 | RECEPTACLE, HINGE |
| 16 | PD020063 | 1 | SCREW-NO.8(A) X 3/8PH WFR HD/BK OXID |
| 17 | E9109655 | 1 | BAKE TRAY COVER |
| 18 | NON REPLACEBLE | 1 | CONTROL BOARD MOUNTING PLATE (003050-000) |
| 19 | PD020062 | 1 | NO.8-32 X 3/8 PHMS TYPE 1 |
| 20 | 007000-000 | 1 | 36 TRU-GLIDE RACK |
| 21 | 005953-000 | 2 | OVEN, RACK, ASM, STANDARD, VDSC36 |
| 22 | E9107933 | 1 | BROILER PAN |
| 23 | E9107934 | 1 | BROILER PAN INSERT |
| 24 | A20012650 | 1 | BRKT, TOP WRAPPER LEFT |
| 25 | E91014053 | 1 | PORCELAIN 25/64 HOLE PLUG |
| 26 | 003040-000 | 1 | RACK GUIDE ASSY, LH |
| 27 | PD020048 | 1 | NO.10 X 1/2 TEK 410 SS SCREW |
| 28 | PM010014 | 1 | SMOKE ELIMINATOR (VDSC) |
| 29 | PB020275 | 1 | VENT TUBE |
| 30 | B21010915 | 1 | HINGE CLIP ? RH |
| 31 | B21010916 | 1 | HINGE CLIP ? LH |
| 32 | PD020061 | 2 | NO.8 X 3/4 FLAT HD TEK. SS. |



| Ref # | Part Number | Qty. | Description |
|-------|--------------------|------|--|
| 1 | 002713-402 | 1 | LINER,DOOR ,WLD,ASSY 36 BK |
| 2 | PD020032 | 7 | SRW-8(A)X3/8PH.WFR HD 7/16DIAXNICL |
| 3 | PE060094 | 1 | 30 WINDOW PACK |
| 4 | 000594-000 | 7 | BLACK FIBERGLASS ROPE 3/8 |
| 5 | 006076-000 | 1 | DOOR LINER INSULATION RETAINER, 36 |
| 6 | 006807-000 | 1 | HINGE, BRKT, RH |
| 7 | 006089-000 | 1 | DOOR SKIN MTG BRACKET ASSY, 36 |
| 8 | PD020073 | 2 | SRW NO. 10 X 24 X 3/8 WAFER HD TYPE23 |
| 9 | PD030010 | 6 | NO.10-24 KEPS NUT |
| 10 | NOTFIELDREPLACE... | 1 | BURNER, IND, MODULE, 4B MUST ORDER ITEM NO.17 |
| 11 | NOTFIELDREPLACE... | 1 | BURNER, IND, MODULE, 4B MUST ORDER ITEM NO.17 |
| 12 | 006086-000 | 2 | DOOR, SKIN, INSULATION, SIDE, 36 |
| 13 | 002726-000 | 2 | DOOR SKIN SIDE BRACKET |
| 14 | 006082-000 | 1 | DOOR SKIN HEAT SINK, 36 |
| 15 | 003012-000 | 1 | DOOR HANDLE ENDCAP ASSY, RH (CHROME) |
| 16 | 003012-100 | 1 | DOOR HANDLE ENDCAP ASSY, RH (BRASS) |
| 16 | 021311-000 | 1 | DOOR SKIN SERVICE ASSEMBLY, SS |
| 16 | 021312-002 | 1 | DOOR SKIN SERVICE ASSEMBLY, BK |
| 16 | 021312-003 | 1 | DOOR SKIN SERVICE ASSEMBLY, BT |
| 16 | 021312-004 | 1 | DOOR SKIN SERVICE ASSEMBLY, SG |
| 16 | 021312-005 | 1 | DOOR SKIN SERVICE ASSEMBLY, GG |
| 16 | 021312-006 | 1 | DOOR SKIN SERVICE ASSEMBLY, WH |
| 16 | 021312-008 | 1 | DOOR SKIN SERVICE ASSEMBLY, BU |
| 16 | 021312-009 | 1 | DOOR SKIN SERVICE ASSEMBLY, LE |
| 16 | 021312-010 | 1 | DOOR SKIN SERVICE ASSEMBLY, MJ |
| 16 | 021312-012 | 1 | DOOR SKIN SERVICE ASSEMBLY, VB |
| 16 | 021312-013 | 1 | DOOR SKIN SERVICE ASSEMBLY, CB |
| 16 | 021312-015 | 1 | DOOR SKIN SERVICE ASSEMBLY, PL |
| 16 | 021312-016 | 1 | DOOR SKIN SERVICE ASSEMBLY, CH |
| 16 | 021312-017 | 1 | DOOR SKIN SERVICE ASSEMBLY, TP |
| 16 | 021312-018 | 1 | DOOR SKIN SERVICE ASSEMBLY, CW |
| 16 | 021312-019 | 1 | DOOR SKIN SERVICE ASSEMBLY, OG |
| 16 | 021312-020 | 1 | DOOR SKIN SERVICE ASSEMBLY, GM |
| 16 | 021312-021 | 1 | DOOR SKIN SERVICE ASSEMBLY, SA |
| 16 | 021312-022 | 1 | DOOR SKIN SERVICE ASSEMBLY, SE |
| 16 | 021312-023 | 1 | DOOR SKIN SERVICE ASSEMBLY, IB |
| 16 | 021312-024 | 1 | DOOR SKIN SERVICE ASSEMBLY, AR |
| 16 | 021312-025 | 1 | DOOR SKIN SERVICE ASSEMBLY, RR |
| 16 | 021312-026 | 1 | DOOR SKIN SERVICE ASSEMBLY, PM |
| 16 | 021312-027 | 1 | DOOR SKIN SERVICE ASSEMBLY, MS |
| 17 | PE010030 | 1 | LOGO, 6, PRO, BK |
| 18 | 003011-000 | 1 | DOOR HANDLE ENDCAP ASSY, LH (CHROME) |
| 19 | 003011-100 | 1 | DOOR HANDLE ENDCAP ASSY, LH (BRASS) |
| 19 | 006080-000 | 1 | 36 DOOR HANDLE, SST |
| 20 | PD030006 | 2 | CAPPED WASHER PAL NUT |
| 21 | 002736-000 | 4 | NO.10-32 PAN HEAD PHILLIPS MACHINE SCREW |
| 22 | 004907-000 | 4 | STEEL FINISHING PLUG, NICKEL PLTD 25/64 HOLE |
| 23 | NOTFIELDREPLACE... | 1 | BURNER, IND, MODULE, 4B MUST ORDER ITEM NO.17 |
| 24 | 006788-000 | 1 | INSULATION,DOOR,TOP,SUPERWOOL,,25,VDSC530 |
| 25 | 006808-000 | 1 | HINGE, BRKT, LH |
| 26 | 006999-000 | 2 | HINGE, DOOR, VDSC36 - ORANGE SPRING |
| 27 | 004153-000 | 2 | DOOR GLASS HOLDER BRACKET |
| NI | 009852-002 | 1 | DOOR SKIN ASM - BK, 36 NOT FIELD REPLACEABLE |
| NI | 009852-102 | 1 | DOOR SKIN ASM - BK/BR, 36 |
| NI | 009852-003 | 1 | DOOR SKIN ASM - BT, 36 |
| NI | 009852-103 | 1 | DOOR SKIN ASM - BT/BR, 36 |
| NI | 009852-004 | 1 | DOOR SKIN ASM - SG, 36 |

| Ref # | Part Number | Qty. | Description |
|-------|-------------|------|---------------------------|
| NI | 009852-004 | 1 | DOOR SKIN ASM - SG, 36 |
| NI | 009852-104 | 1 | DOOR SKIN ASM - SG/BR, 36 |
| NI | 009852-005 | 1 | DOOR SKIN ASM - CG, 36 |
| NI | 009852-105 | 1 | DOOR SKIN ASM - CG/BR, 36 |
| NI | 009852-006 | 1 | DOOR SKIN ASM - WH, 36 |
| NI | 009852-106 | 1 | DOOR SKIN ASM - WH/BR, 36 |
| NI | 009852-007 | 1 | DOOR SKIN ASM - AL, 36 |
| NI | 009852-107 | 1 | DOOR SKIN ASM - AL/BR, 36 |
| NI | 009852-008 | 1 | DOOR SKIN ASM - BU, 36 |
| NI | 009852-108 | 1 | DOOR SKIN ASM - BU/BR, 36 |
| NI | 009852-009 | 1 | DOOR SKIN ASM - LE, 36 |
| NI | 009852-109 | 1 | DOOR SKIN ASM - LE/BR, 36 |
| NI | 009852-010 | 1 | DOOR SKIN ASM - MJ, 36 |
| NI | 009852-110 | 1 | DOOR SKIN ASM - MJ/BR, 36 |
| NI | 009852-011 | 1 | DOOR SKIN ASM - FG, 36 |
| NI | 009852-111 | 1 | DOOR SKIN ASM - FG/BR, 36 |
| NI | 009852-012 | 1 | DOOR SKIN ASM - VB, 36 |
| NI | 009852-112 | 1 | DOOR SKIN ASM - VB/BR, 36 |
| NI | 009852-013 | 1 | DOOR SKIN ASM - CB, 36 |
| NI | 009852-113 | 1 | DOOR SKIN ASM - CB/BR, 36 |
| NI | 009852-014 | 1 | DOOR SKIN ASM - EP, 36 |
| NI | 009852-114 | 1 | DOOR SKIN ASM - EP/BR, 36 |
| NI | 009852-015 | 1 | DOOR SKIN ASM - PL, 36 |
| NI | 009852-115 | 1 | DOOR SKIN ASM - PL/BR, 36 |
| NI | 009852-016 | 1 | DOOR SKIN ASM - CH, 36 |
| NI | 009852-116 | 1 | DOOR SKIN ASM - CH/BR, 36 |
| NI | 009852-017 | 1 | DOOR SKIN ASM - TP, 36 |
| NI | 009852-117 | 1 | DOOR SKIN ASM - TP/BR, 36 |
| NI | 009852-018 | 1 | DOOR SKIN ASM - CW, 36 |
| NI | 009852-118 | 1 | DOOR SKIN ASM - CW/BR, 36 |
| NI | 009852-019 | 1 | DOOR SKIN ASM - OG, 36 |
| NI | 009852-119 | 1 | DOOR SKIN ASM - OG/BR, 36 |
| NI | 009852-020 | 1 | DOOR SKIN ASM - GM, 36 |
| NI | 009852-120 | 1 | DOOR SKIN ASM - GM/BR, 36 |
| NI | 009852-021 | 1 | DOOR SKIN ASM - SA, 36 |
| NI | 009852-121 | 1 | DOOR SKIN ASM - SA/BR, 36 |
| NI | 009852-022 | 1 | DOOR SKIN ASM - SE, 36 |
| NI | 009852-122 | 1 | DOOR SKIN ASM - SE/BR, 36 |
| NI | 009852-023 | 1 | DOOR SKIN ASM - IB, 36 |
| NI | 009852-123 | 1 | DOOR SKIN ASM - IB/BR, 36 |
| NI | 009852-024 | 1 | DOOR SKIN ASM - AR, 36 |
| NI | 009852-124 | 1 | DOOR SKIN ASM - AR/BR, 36 |
| NI | 009852-025 | 1 | DOOR SKIN ASM - RR, 36 |
| NI | 009852-125 | 1 | DOOR SKIN ASM - RR/BR, 36 |
| NI | 009852-026 | 1 | DOOR SKIN ASM - PM, 36 |
| NI | 009852-126 | 1 | DOOR SKIN ASM - PM/BR, 36 |
| NI | 009852-027 | 1 | DOOR SKIN ASM - MS, 36 |
| NI | 009852-127 | 1 | DOOR SKIN ASM - MS/BR, 36 |
| NI | 009915-002 | 1 | DOOR ASSEMBLY, 36 - BK |
| NI | 009915-102 | 1 | DOOR ASSEMBLY, 36 - BK/BR |
| NI | 009915-003 | 1 | DOOR ASSEMBLY, 36 - BT |
| NI | 009915-103 | 1 | DOOR ASSEMBLY, 36 - BT/BR |
| NI | 009915-004 | 1 | DOOR ASSEMBLY, 36 - SG |
| NI | 009915-104 | 1 | DOOR ASSEMBLY, 36 - SG/BR |
| NI | 009915-005 | 1 | DOOR ASSEMBLY, 36 - GG |
| NI | 009915-105 | 1 | DOOR ASSEMBLY, 36 - GG/BR |
| NI | 009915-006 | 1 | DOOR ASSEMBLY, 36 - WH |
| NI | 009915-106 | 1 | DOOR ASSEMBLY, 36 - WH/BR |
| NI | 009915-007 | 1 | DOOR ASM - AL, 36 |
| NI | 009915-107 | 1 | DOOR ASM - AL/BR, 36 |

| Ref # | Part Number | Qty. | Description |
|-------|-------------|------|---------------------------|
| NI | 009915-107 | 1 | DOOR ASM - AL/BR, 36 |
| NI | 009915-008 | 1 | DOOR ASSEMBLY, 36 - BU |
| NI | 009915-108 | 1 | DOOR ASSEMBLY, 36 - BU/BR |
| NI | 009915-009 | 1 | DOOR ASSEMBLY, 36 - LE |
| NI | 009915-109 | 1 | DOOR ASSEMBLY, 36 - LE/BR |
| NI | 009915-010 | 1 | DOOR ASSEMBLY, 36 - MJ |
| NI | 009915-110 | 1 | DOOR ASSEMBLY, 36 - MJ/BR |
| NI | 009915-011 | 1 | DOOR ASM - FG/BR, 36 |
| NI | 009915-111 | 1 | DOOR ASM - FG/BR, 36 |
| NI | 009915-012 | 1 | DOOR ASSEMBLY, 36 - VB |
| NI | 009915-112 | 1 | DOOR ASSEMBLY, 36 - VB/BR |
| NI | 009915-013 | 1 | DOOR ASSEMBLY, 36 - CB |
| NI | 009915-113 | 1 | DOOR ASSEMBLY, 36 - CB/BR |
| NI | 009915-014 | 1 | DOOR ASM - EP, 36 |
| NI | 009915-114 | 1 | DOOR ASM - EP/BR, 36 |
| NI | 009915-015 | 1 | DOOR ASSEMBLY, 36 - PL |
| NI | 009915-115 | 1 | DOOR ASSEMBLY, 36 - PL/BR |
| NI | 009915-016 | 1 | DOOR ASSEMBLY, 36 - CH |
| NI | 009915-116 | 1 | DOOR ASSEMBLY, 36 - CH/BR |
| NI | 009915-017 | 1 | DOOR ASSEMBLY, 36 - TP |
| NI | 009915-117 | 1 | DOOR ASSEMBLY, 36 - TP/BR |
| NI | 009915-018 | 1 | DOOR ASSEMBLY, 36 - CW |
| NI | 009915-118 | 1 | DOOR ASSEMBLY, 36 - CW/BR |
| NI | 009915-019 | 1 | DOOR ASSEMBLY, 36 - OG |
| NI | 009915-119 | 1 | DOOR ASSEMBLY, 36 - OG/BR |
| NI | 009915-020 | 1 | DOOR ASSEMBLY, 36 - GM |
| NI | 009915-120 | 1 | DOOR ASSEMBLY, 36 - GM/BR |
| NI | 009915-021 | 1 | DOOR ASSEMBLY, 36 - SA |
| NI | 009915-121 | 1 | DOOR ASSEMBLY, 36 - SA/BR |
| NI | 009915-022 | 1 | DOOR ASSEMBLY, 36 - SE |
| NI | 009915-122 | 1 | DOOR ASSEMBLY, 36 - SE/BR |
| NI | 009915-023 | 1 | DOOR ASSEMBLY, 36 - IB |
| NI | 009915-123 | 1 | DOOR ASSEMBLY, 36 - IB/BR |
| NI | 009915-024 | 1 | DOOR ASSEMBLY, 36 - AR |
| NI | 009915-124 | 1 | DOOR ASSEMBLY, 36 - AR/BR |
| NI | 009915-025 | 1 | DOOR ASSEMBLY, 36 - RR |
| NI | 009915-125 | 1 | DOOR ASSEMBLY, 36 - RR/BR |
| NI | 009915-026 | 1 | DOOR ASSEMBLY, 36 - PM |
| NI | 009915-126 | 1 | DOOR ASSEMBLY, 36 - PM/BR |
| NI | 009915-027 | 1 | DOOR ASSEMBLY, 36 - MS |
| NI | 009915-127 | 1 | DOOR ASSEMBLY, 36 - MS/BR |
| NI | 006996-000 | 1 | DOOR GASKET, 36 |



| Ref # | Part Number | Qty. | Description |
|-------|-------------|------|--|
| 1 | 003803-000 | 1 | SIDE PANEL ASSY, LH |
| 1 | 005506-002 | 1 | SIDE PANEL, LH ASSY, PAINTED XBKX |
| 1 | 005506-003 | 1 | SIDE PANEL, LH ASSY, PAINTED XBTX |
| 1 | 005506-004 | 1 | SIDE PANEL, LH ASSY, PAINTED XSGX |
| 1 | 005506-005 | 1 | SIDE PANEL, LH ASSY, PAINTED XGGX |
| 1 | 005506-006 | 1 | SIDE PANEL, LH ASSY, PAINTED XWHX |
| 1 | 005506-008 | 1 | SIDE PANEL, LH ASSY, PAINTED XBUX |
| 1 | 005506-009 | 1 | SIDE PANEL, LH ASSY, PAINTED XLEX |
| 1 | 005506-010 | 1 | SIDE PANEL, LH ASSY, PAINTED XMJX |
| 1 | 005506-012 | 1 | SIDE PANEL, LH ASSY, PAINTED XVBX |
| 1 | 005506-013 | 1 | SIDE PANEL, LH ASSY, PAINTED XCBX |
| 1 | 005506-015 | 1 | SIDE PANEL, LH ASSY, PAINTED XPLX |
| 1 | 005506-016 | 1 | SIDE PANEL, LH ASSY, PAINTED XCHX |
| 1 | 005506-017 | 1 | SIDE PANEL, LH ASSY, PAINTED XTPX |
| 1 | 005506-018 | 1 | SIDE PANEL, LH ASSY, PAINTED XCWX |
| 1 | 005506-019 | 1 | SIDE PANEL, LH ASSY, PAINTED XOGX |
| 1 | 005506-020 | 1 | SIDE PANEL, LH ASSY, PAINTED XGMX |
| 1 | 005506-021 | 1 | SIDE PANEL, LH ASSY, PAINTED XSAX |
| 1 | 005506-022 | 1 | SIDE PANEL, LH ASSY, PAINTED XSEX |
| 1 | 005506-023 | 1 | SIDE PANEL, LH ASSY, PAINTED XIBX |
| 1 | 005506-024 | 1 | SIDE PANEL, LH ASSY, PAINTED XARX |
| 1 | 005506-025 | 1 | SIDE PANEL, LH ASSY, PAINTED XRRX |
| 1 | 005506-026 | 1 | SIDE PANEL, LH ASSY, PAINTED XPMX |
| 1 | 005506-027 | 1 | SIDE PANEL, LH ASSY, PAINTED XMSX |
| 2 | 003860-000 | 8 | NO.10-18 X .500 FASTNR,SCR,HXWH,STL,ZPLT |
| 3 | 007488-000 | 2 | SINK, REAR, SIDE |
| 4 | 003802-000 | 1 | SIDE PANEL ASSY, RH, SST |
| 4 | 005503-002 | 1 | SIDE PANEL, RH ASSY, PAINTED XBKX |
| 4 | 005503-003 | 1 | SIDE PANEL, RH ASSY, PAINTED XBTX |
| 4 | 005503-004 | 1 | SIDE PANEL, RH ASSY, PAINTED XSGX |
| 4 | 005503-005 | 1 | SIDE PANEL, RH ASSY, PAINTED XGGX |
| 4 | 005503-006 | 1 | SIDE PANEL, RH ASSY, PAINTED XWHX |
| 4 | 005503-008 | 1 | SIDE PANEL, RH ASSY, PAINTED XBUX |
| 4 | 005503-009 | 1 | SIDE PANEL, RH ASSY, PAINTED XLEX |
| 4 | 005503-010 | 1 | SIDE PANEL, RH ASSY, PAINTED XMJX |
| 4 | 005503-012 | 1 | SIDE PANEL, RH ASSY, PAINTED XVBX |
| 4 | 005503-013 | 1 | SIDE PANEL, RH ASSY, PAINTED XCBX |
| 4 | 005503-015 | 1 | SIDE PANEL, RH ASSY, PAINTED XPLX |
| 4 | 005503-016 | 1 | SIDE PANEL, RH ASSY, PAINTED XCHX |
| 4 | 005503-017 | 1 | SIDE PANEL, RH ASSY, PAINTED XTPX |
| 4 | 005503-018 | 1 | SIDE PANEL, RH ASSY, PAINTED XCWX |
| 4 | 005503-019 | 1 | SIDE PANEL, RH ASSY, PAINTED XOGX |
| 4 | 005503-020 | 1 | SIDE PANEL, RH ASSY, PAINTED XGMX |
| 4 | 005503-021 | 1 | SIDE PANEL, RH ASSY, PAINTED XSAX |
| 4 | 005503-022 | 1 | SIDE PANEL, RH ASSY, PAINTED XSEX |
| 4 | 005503-023 | 1 | SIDE PANEL, RH ASSY, PAINTED XIBX |
| 4 | 005503-024 | 1 | SIDE PANEL, RH ASSY, PAINTED XARX |
| 4 | 005503-025 | 1 | SIDE PANEL, RH ASSY, PAINTED XRRX |
| 4 | 005503-026 | 1 | SIDE PANEL, RH ASSY, PAINTED XPMX |
| 4 | 005503-027 | 1 | SIDE PANEL, RH ASSY, PAINTED XMSX |
| 5 | 004606-000 | 1 | OVEN, TRIM, FR, SIDE, RH, 36 |
| 6 | 005382-000 | 1 | KICKPLATE, SS, VDSC36 |
| 6 | 010989-002 | 1 | KICKPLATE, BK |
| 6 | 010989-003 | 1 | KICKPLATE, BT 36 |
| 6 | 010989-004 | 1 | KICKPLATE, SG 36 |
| 6 | 010989-005 | 1 | KICKPLATE, 36 GG |
| 6 | 010989-006 | 1 | KICKPLATE, 36 WH |
| 6 | 010989-008 | 1 | KICKPLATE, BU 36 |
| 6 | 010989-009 | 1 | KICKPLATE, LE 36 |
| 6 | 010989-010 | 1 | KICKPLATE, MJ 36 |

| Ref # | Part Number | Qty. | Description |
|-------|-------------|------|------------------------------------|
| 6 | 010989-010 | 1 | KICKPLATE, MJ 36 |
| 6 | 010989-012 | 1 | KICKPLATE, VB 36 |
| 6 | 010989-013 | 1 | KICKPLATE - CB |
| 6 | 010989-015 | 1 | KICKPLATE, PL 36 |
| 6 | 010989-016 | 1 | KICKPLATE, CH 36 |
| 6 | 010989-017 | 1 | KICKPLATE, TP 36 |
| 6 | 010989-018 | 1 | KICKPLATE, CW 36 |
| 6 | 010989-019 | 1 | KICKPLATE, OG 36 |
| 6 | 010989-020 | 1 | KICKPLATE, GM 36 |
| 6 | 010989-021 | 1 | KICKPLATE, SA 36 |
| 6 | 010989-022 | 1 | KICKPLATE, SE 36 |
| 6 | 010989-023 | 1 | KICKPLATE, IB 36 |
| 6 | 010989-024 | 1 | KICKPLATE, AR 36 |
| 6 | 010989-025 | 1 | KICKPLATE, RR 36 |
| 6 | 010989-026 | 1 | KICKPLATE, PM 36 |
| 6 | 010989-027 | 1 | KICKPLATE, MS 36 |
| 7 | 005381-000 | 1 | ACCESS GRILL PANEL, LOWER 36 |
| 8 | PD020032 | 2 | SRW-8(A)X3/8PH.WFR HD 7/16DIAXNICL |
| 9 | 004607-000 | 1 | OVEN, TRIM, FR, SIDE, LH, 36 |
| 10 | PD020048 | 2 | NO.10 X 1/2 TEK 410 SS SCREW |
| 11 | 003801-000 | 2 | SHOULDER SCREW, NO.10 |

*No Image
Available*

| Ref # | Part Number | Qty. | Description |
|-------|-------------|------|---------------------------------|
| NI | 024909-000 | 1 | SHIELD, WRG |
| NI | 015103-000 | 1 | HARNESS, TEST, VDSC-T MODELS |
| NI | 024871-000 | 1 | MAIN HARNESS |
| NI | PE070739 | 1 | BAKE ELEMENT HARNESS |
| NI | PE070890 | 1 | IRIS HARNESS - 36 |
| NI | 001134-000 | 1 | IRIS HARNESS INSULATED CAP |
| NI | 020019-000 | 1 | HARNESS, WRG, CONTROL |
| NI | 000647-000 | 2 | IRIS IGNITOR WIRE, FRONT BURNER |
| NI | 006766-000 | 2 | IRIS IGNITOR WIRE, BACK BURNER |