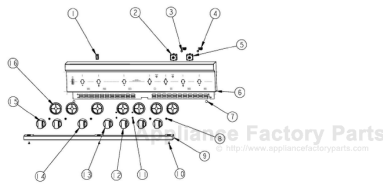


This Owner's Manual is provided and hosted by [Appliance Factory Parts](http://ApplianceFactoryParts.com).



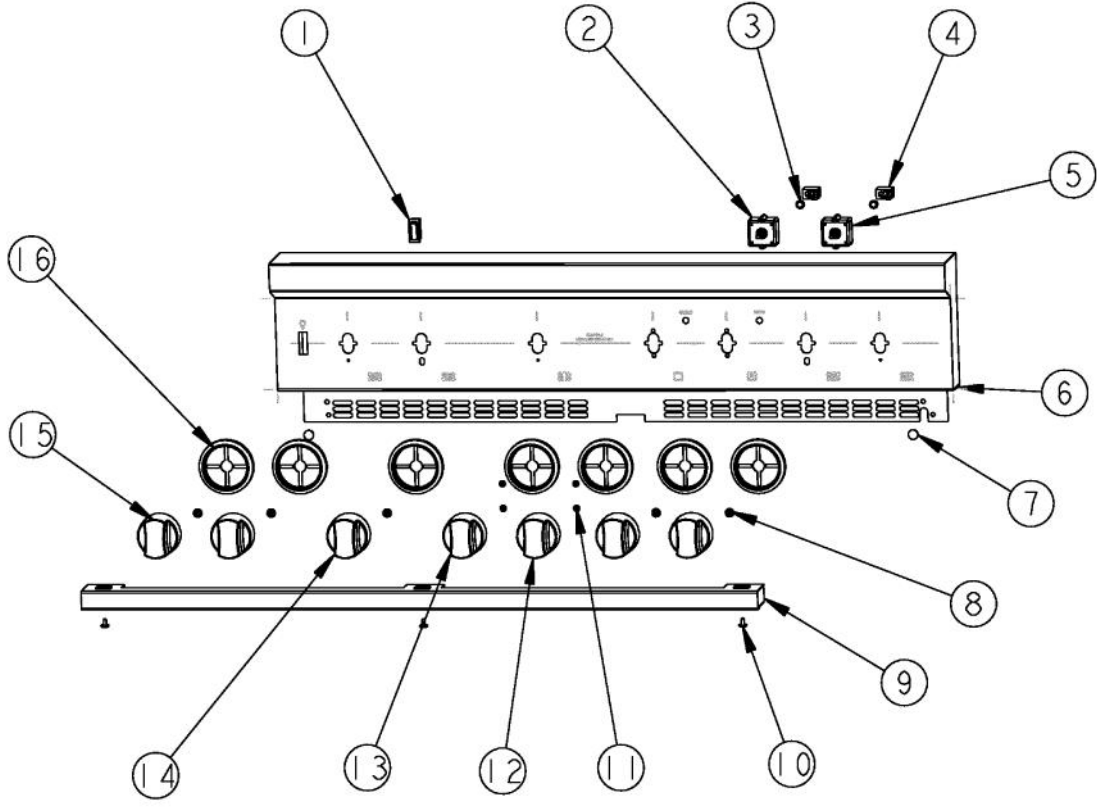
# VIKING VDSC536-6B Owner's Manual

**Shop genuine replacement parts for VIKING  
VDSC536-6B**

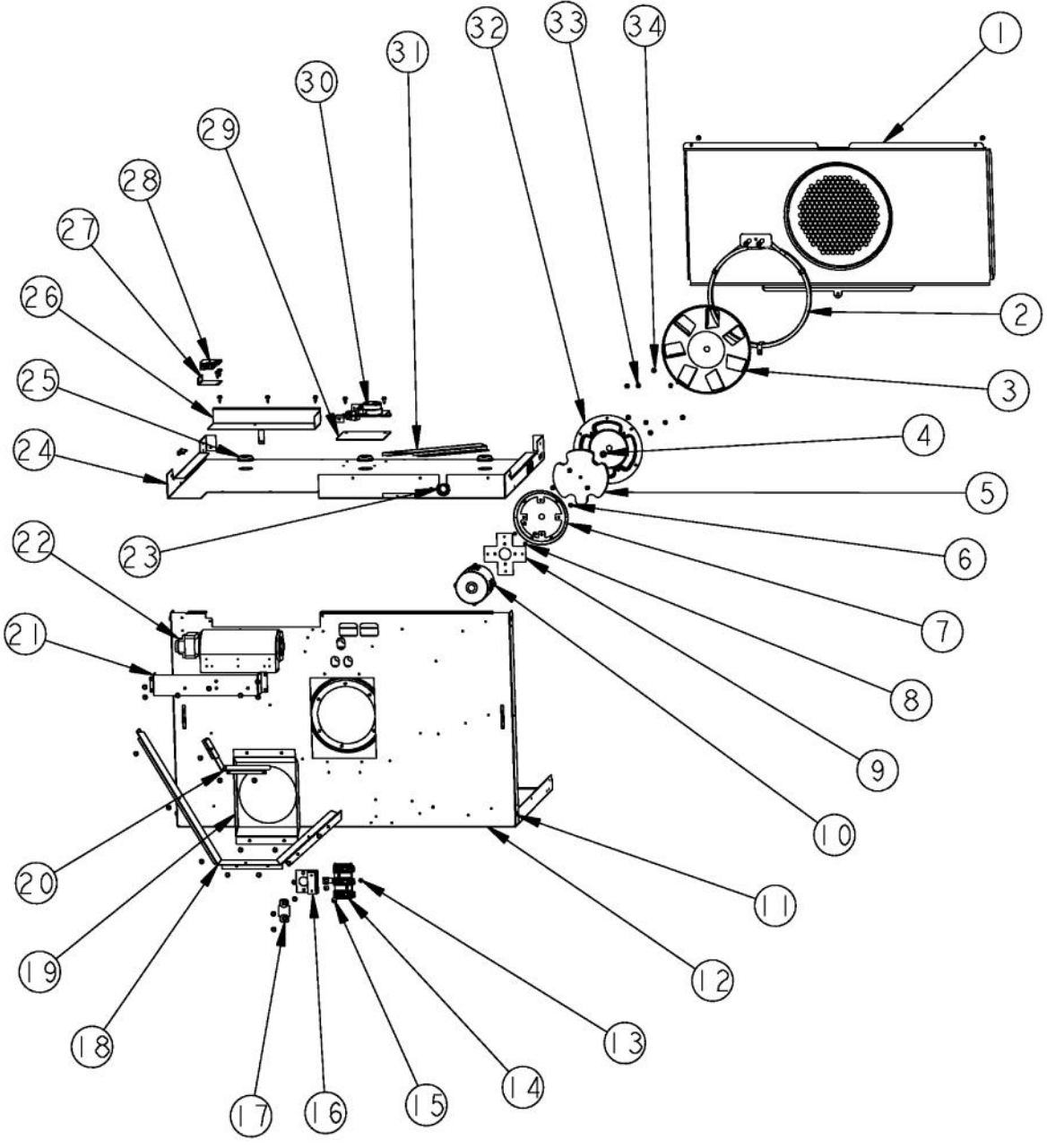


**[Find Your VIKING Range Hoods Parts - Select From 411 Models](#)**

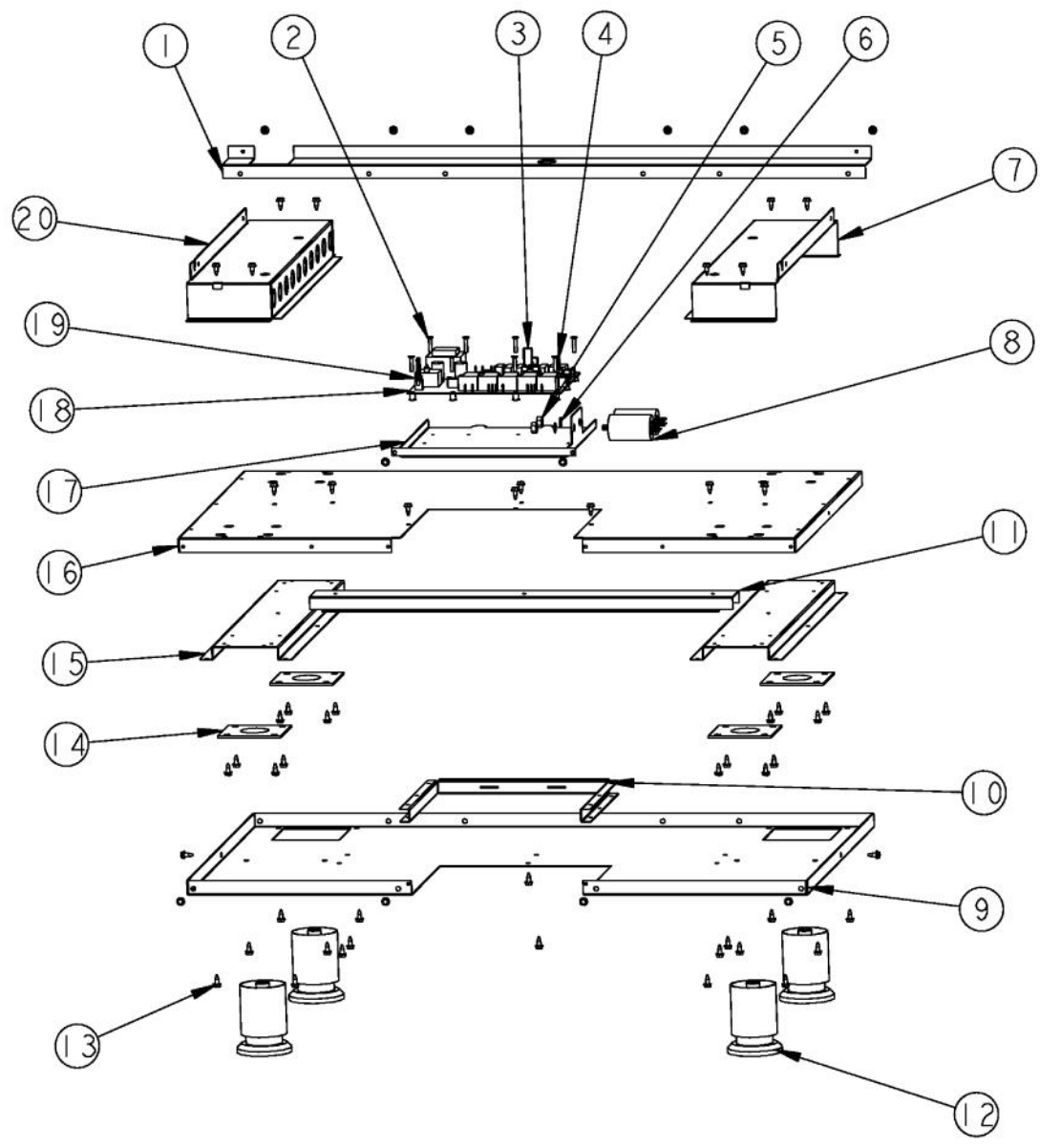
----- Manual continues below -----



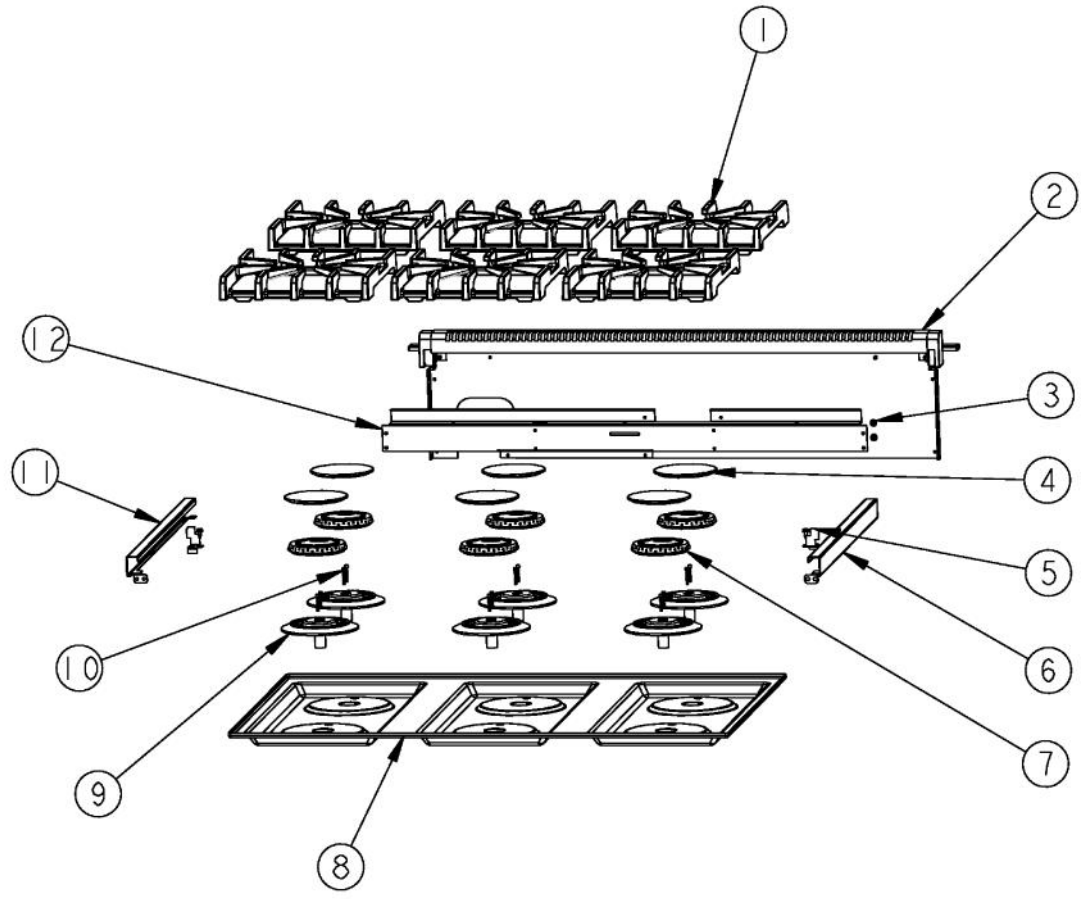
Ref #	Part Number	Qty.	Description
1	003719-000	1	OVEN LIGHT SWITCH, BLACK
2	PJ030033	1	SELECTOR (10 POS)
3	PE050023	2	OVEN IND. LIGHT (LENS & BEZEL) (BEFORE 7/13/11)
4	PE050072	2	LENS OPENING (250 VOLT) (BEFORE 7/13/11)
4	015043-000	2	INDICATOR, LIGHT, BLUE LED (ON OR AFTER 7/13/11)
5	PJ030035	1	THERMOSTAT
6	031108-2072	1	CONTROL PANEL ASSY, VDSC536-6B
7	PD040004	2	GROMMET BUMPER
8	PD020046	5	NO.8 X 1/2 SCREWS
9	011637-000	1	TRIM, ASM
10	PD020032	3	SRW-8(A)X3/8PH.WFR HD 7/16DIAXNICL
11	PD020062	4	NO.8-32 X 3/8 PHMS TYPE 1
12	005270-000	1	RANGE THERMOSTAT KNOB-BRUSHED, SSS BEFORE 12/20/12
12	035893-000	1	KNOB,OVN,TSTAT, PRO VDSC/VESC CR3 AFTER (12/20/12)
13	005271-000	1	RANGE SELECTOR KNOB-BRUSHED, SSS BEFORE 12/20/12
13	035895-000	1	KNOB,OVN,SEL, PRO VDSC/VESC CR3 AFTER (12/20/12)
14	006574-000	1	KNOB, GRL, ASM, PVD, NO.3, SSS
15	005269-000	4	RANGE TOP BURNER KNOB-BRUSHED, SSS BEFORE 12/20/12
15	035881-000	4	KNOB, BNR, TOP PRO CR3 AFTER (12/20/12)
16	PB010304	7	KNOB BEZEL



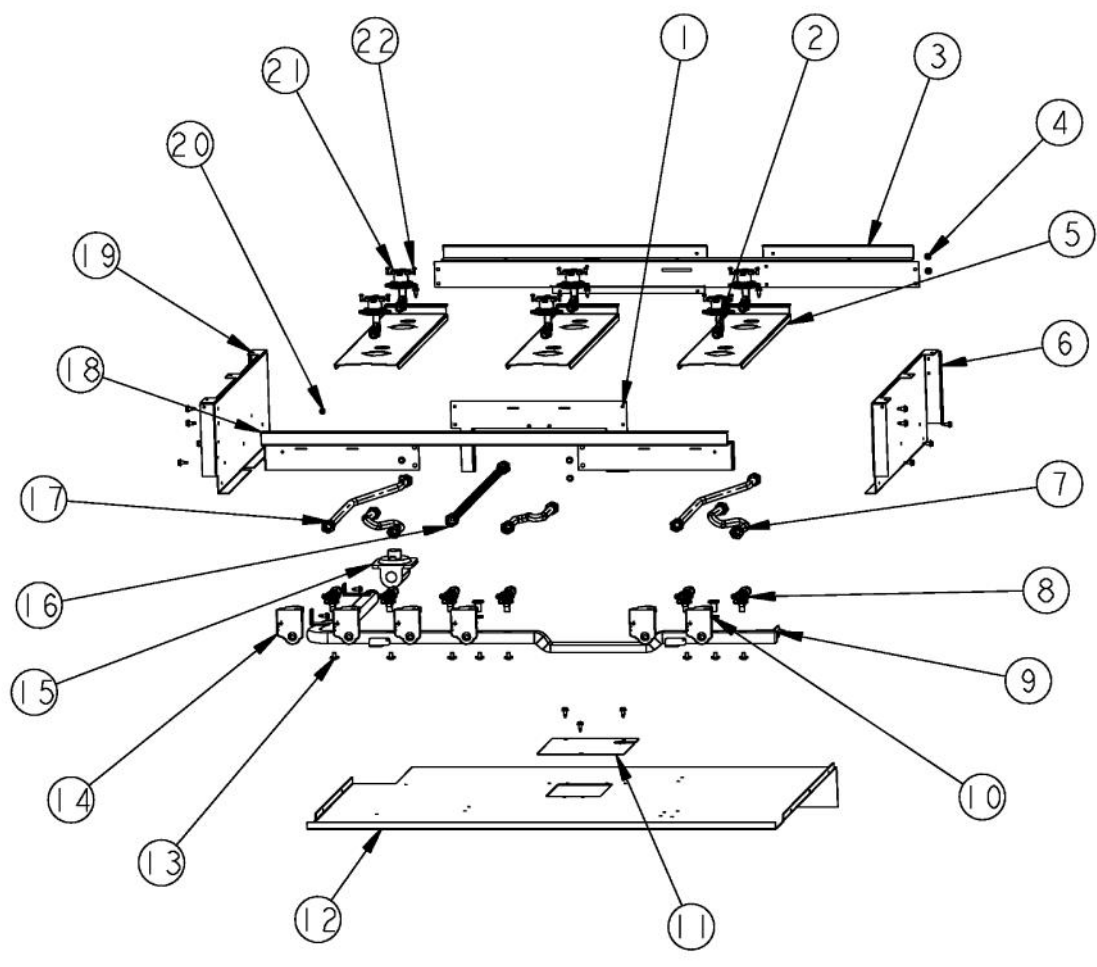
Ref #	Part Number	Qty.	Description
1	006177-000	1	BAFFLE, CNVN, ASM, VDSC 36
2	PJ010047	1	CONVECTION ELEMENT
3	PE050227	1	CONVECTION FAN BLADE ASSY
4	PD030149	1	5/16 NUT
5	PB070312	1	CONVECTION MOTOR MTG. PLATE INSULATION
6	PD020004	4	10X3/8PH.HD.TYPE 25 REPL PD040125
7	A21012728	1	BRKT, MTG, CONV MOTOR
8	PD010028	4	BOLT M 4X5
9	A10012735	1	EBM FAN MOTOR ADAPTER
10	PE050203	1	CONVECTION MOTOR
11	003860-000	36	NO.10-18 X .500 FASTNR,SCR,HXWH,STL,ZPLT
12	004543-000	1	OVEN BOTTOM, BACK WRAP ASSY 36
13	PD020010	1	10 X 3/8 GREEN GROUNDING SCREW
14	PE070147	1	TERMINAL BLOCK
15	PD020014	2	10X3/4 PH TR HD SMS
16	A2002195	1	POWER CORD MOUNTING BRKT (VDSC)
17	A1002457	1	POWER CORD MOUNTING STRAP (VDSC)
18	002941-000	1	BAFFLE, FAN, REAR
19	A2009697	1	BRACKET, CONVECTION INSULATION
20	003356-000	1	DIVERTER, AIR
21	004110-000	1	MOUNT,BLOWER
22	PE050250	1	PREMIUM BLOWER WITH HES (BEFORE 8/10/2013)
22	018607-000	1	FAN,BLO, 220-240V 50/60HZ ASSY (ON OR AFTER 8/10/2013)
23	PD040005	1	SNAP BUSHING - 7/8
24	004547-000	1	RANGE TOP BRACE, AIR CHANNEL, 36
25	PB070079	3	SILICONE EXTRUSION (DGSU)
26	A2009659	1	BRACKET, FILLER, BLOWER
27	A20012649	1	DOOR SWITCH BRACKET
28	PE050208	1	DOOR SWITCH
29	PB070321	1	LOWER LATCH INSULATION
30	PE050210	1	DOOR LATCH
31	004698-000	1	FLUE DUCT, VDSC36
32	E91012727	1	PLATE, MOUNTING, CONV MOTOR
33	PD020055	4	NO.10 X 1/2 PAN PHIL. TEK. SS
34	PD020048	11	NO.10 X 1/2 TEK 410 SS SCREW



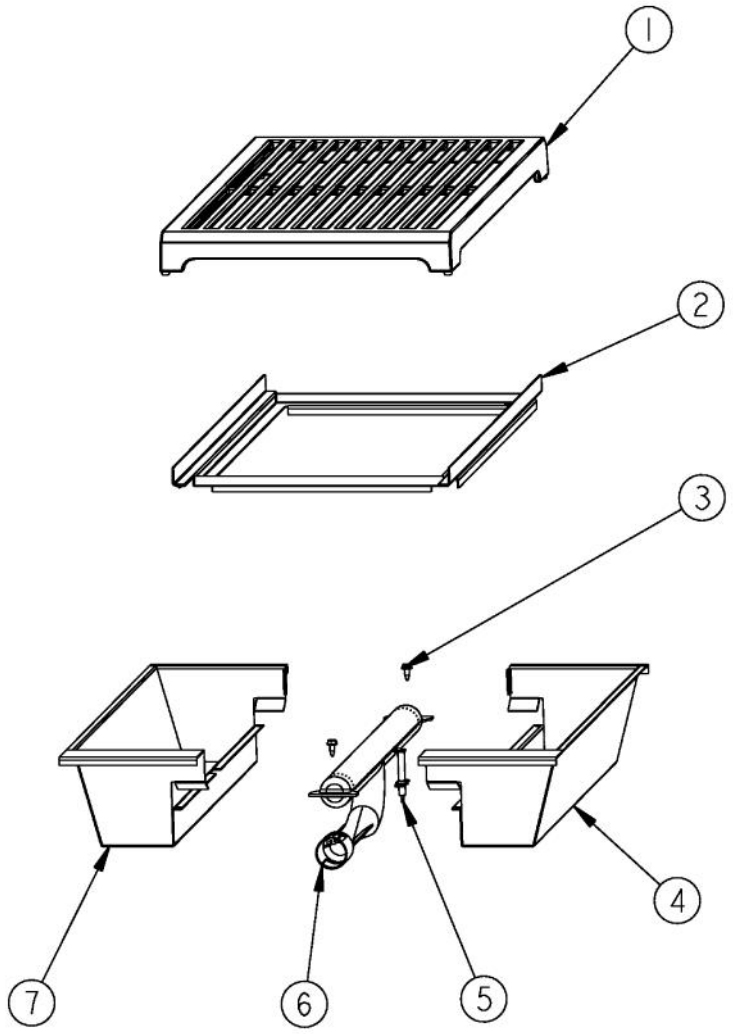
Ref #	Part Number	Qty.	Description
1	004503-000	1	BASE, LEDG, BACK, 36
2	PD020043	8	NO.6-32 X .750 PH. CTRSK T(F)-VGSO166
3	PE070734	1	SINGLE OVEN HEADER
4	009632-000	1	MODEL 10 HEADER
5	PD030172	2	M8 X 1.25MM NUT
6	PD040164	2	5/16 INTERNAL TOOTH LOCK WASHER TYPE A
7	003761-000	1	OVEN MODULE SUPPORT CHANNEL, RH
8	PE050247	2	EBM FAN MOTOR CAPACITOR
9	003326-000	1	PLATE, BASE, LWR, 36
10	003054-000	1	BASE CENTER CUTOUT STIFFENER
11	003327-000	1	BRACE, BASE, 36
12	PC030031	4	ADJUSTABLE LEG
13	003860-000	66	NO.10-18 X .500 FASTNR,SCR,HXWH,STL,ZPLT
14	PC030007	4	LEG PLATE - 3/4 THREADED HOLE
15	003053-000	2	BASE LEG SUPPORT CHANNEL
16	003328-000	1	PLATE, BASE, UPR, 36
17	003050-000	1	CONTROL BOARD MOUNTING PLATE (BEFORE 7/28/10)
17	015096-000	1	PLATE, MTG, EOC4 CONTROL BOARD (ON OR AFTER 7/28/10)
18	000621-000	1	SUB TO 002406-000 - CONTROL BOARD (BEFORE 7/28/10)
18	014000-000		EOC4-CONTROL BOARD (ON OR AFTER 7/28/10)
18	038419-000	1	CONTROL,BD,EOC4, CB AFTER 2/4/13
NI	021340-000	1	LINEAR POWER SUPPLY, SINGLE (ON OR AFTER 7/28/10)
NI	024909-000	1	SHIELD, WRG
19	000915-000	1	LIMIT JUMPER
20	003763-000	1	OVEN MODULE SUPPORT CHANNEL, LH
NI	005382-000	1	KICKPLATE, SS, VDSC36
NI	010989-002	1	KICKPLATE, BK
NI	010989-003	1	KICKPLATE, BT 36
NI	010989-004	1	KICKPLATE, SG 36
NI	010989-005	1	KICKPLATE, 36 GG
NI	010989-006	1	KICKPLATE, 36 WH
NI	010989-008	1	KICKPLATE, BU 36
NI	010989-009	1	KICKPLATE, LE 36
NI	010989-010	1	KICKPLATE, MJ 36
NI	010989-012	1	KICKPLATE, VB 36
NI	010989-013	1	KICKPLATE - CB
NI	010989-015	1	KICKPLATE, PL 36
NI	010989-016	1	KICKPLATE, CH 36
NI	010989-017	1	KICKPLATE, TP 36
NI	010989-018	1	KICKPLATE, CW 36
NI	010989-019	1	KICKPLATE, OG 36
NI	010989-020	1	KICKPLATE, GM 36
NI	010989-021	1	KICKPLATE, SA 36
NI	010989-022	1	KICKPLATE, SE 36
NI	010989-023	1	KICKPLATE, IB 36
NI	010989-024	1	KICKPLATE, AR 36
NI	010989-025	1	KICKPLATE, RR 36
NI	010989-026	1	KICKPLATE, PM 36
NI	010989-027	1	KICKPLATE, MS 36



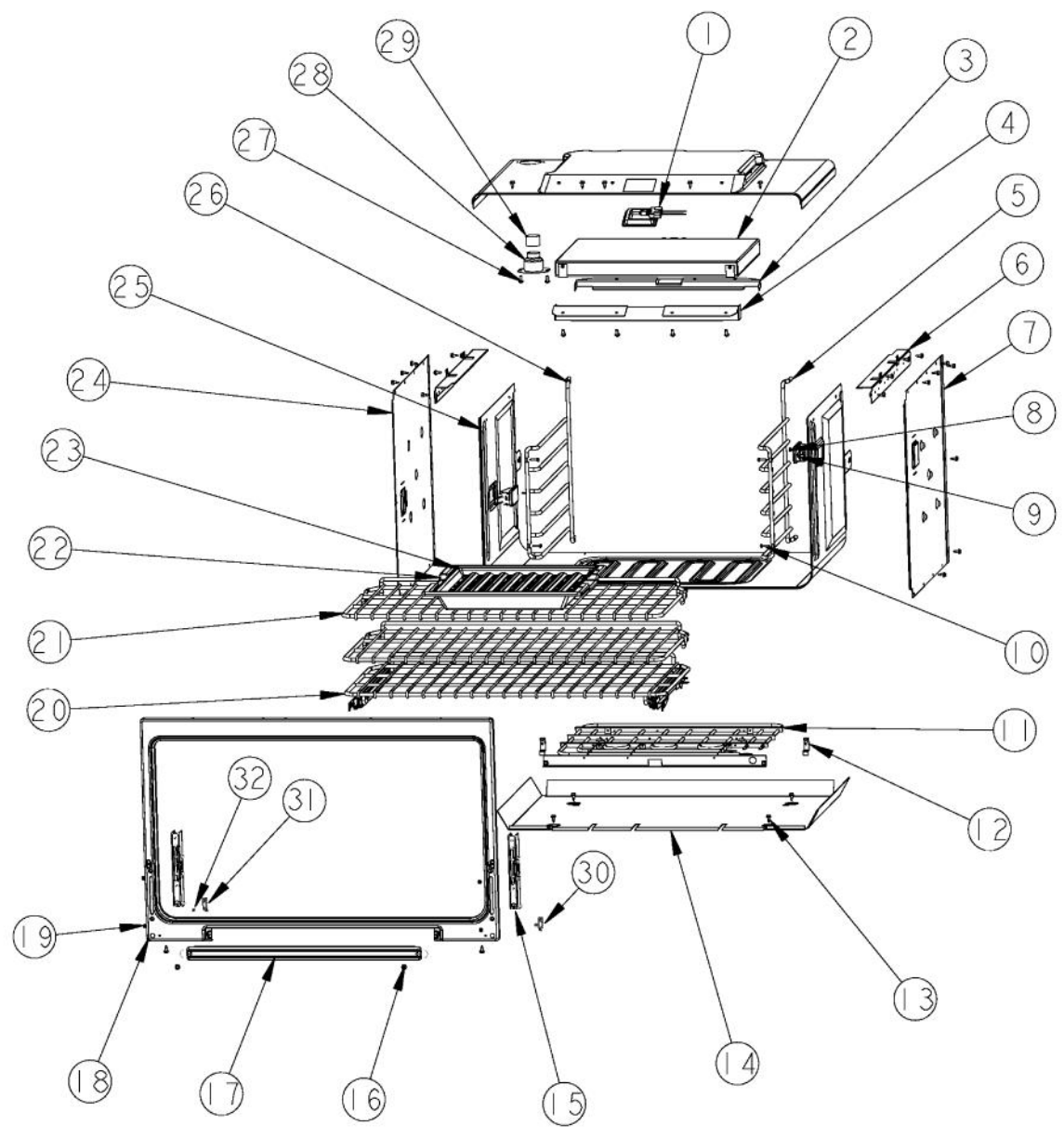
Ref #	Part Number	Qty.	Description
1	007323-000	6	BURNER GRATE
2	006900-000	1	ISLAND TRIM, ASM, 36 CUSTOM
3	003860-000	2	NO.10-18 X .500 FASTNR,SCR,HXWH,STL,ZPLT
4	PA080083	6	D BURNER CAP XMATTE BLACKX
5	004021-000	2	SUPPORT,TRIM,SIDE
6	002920-000	1	SIDE TRIM, RH - STAINLESS
7	006706-000	6	B6 REV SEALED BURNER
8	E9108439BK	1	MAIN TOP (VGRT3626B) XBKX
9	003322-041	6	SEALED BURNER BASE, PAINTED FINISH
10	003606-000	12	NO.6-32 SOCKET HEAD SCREW
11	003649-000	1	SIDE TRIM, LH - STAINLESS
12	008840-000	1	BURNER BOX ASSY, VDSC536-6B



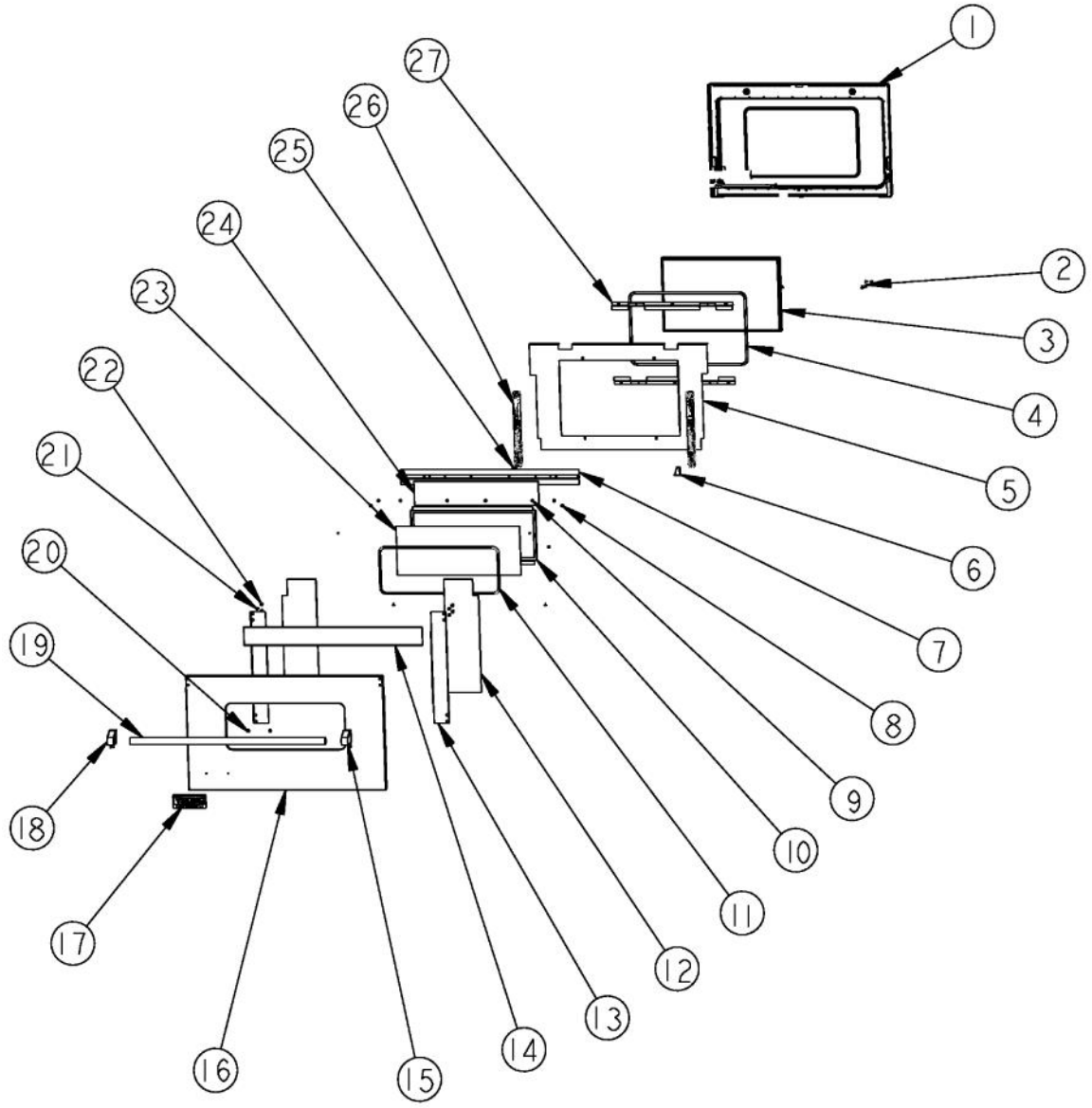
Ref #	Part Number	Qty.	Description
1	008637-000	1	ADAPTER BRACKET, FRONT SUPT
2	001394-041	1	18500 BTU NAT JETHOLDER
2	001394-044	1	16.6 K BTU LP JETHOLDER
3	004602-000	1	REAR SUPPORT, BURNER BOX 36
4	003860-000	27	NO.10-18 X .500 FASTNR,SCR,HXWH,STL,ZPLT
5	002923-000	2	BURNER MODULE SUPPORT
6	002755-000	1	BURNER BOX SIDE, RH
7	PB020192	3	10 FLEX TUBING W/CONNECTORS
8	006015-000	1	VALVE, BRS, SEALED TOP - ISPHORDING
9	005480-000	1	MANIFOLD, GAS, VDSC36 - 6B
10	002884-000	3	MANIFOLD PLUG
11	024398-000	1	COVER,ACS,DSI
12	024302-000	1	PANEL,BNR,BOT,BOX, 36 VGRT
13	PD010012	7	VALVE BOLT 1/4-20 UNC-2B 5/16 M.S.
14	PA020058	5	IRIS SINGLE SPARK MODULE
15	PA070001	1	PRESSURE REGULATOR (NAT.)
15	000714-000	1	LP REGULATOR
16	007726-000	1	21 FLEX TUBING W/CONNECTORS
17	PB020193	2	16 FLEX TUBING W/CONNECTORS
18	004603-000	1	FRONT SUPPORT, BURNER BOX 36
19	003481-000	1	BURNER BOX SIDE, LH
20	PD020010	1	10 X 3/8 GREEN GROUNDING SCREW
21	001394-042	5	15000 BTU NAT JETHOLDER
21	001394-046	5	12.5 K BTU LP JETHOLDER
22	PD020076	8	6-32 X 3/8 PHILL PAN MS



Ref #	Part Number	Qty.	Description
1	010168-000	1	CUSTOM RANGE GRILL GRATE
2	E9101130BK	1	GRILL SMOKE GENERATOR
3	003860-000	2	NO.10-18 X .500 FASTNR,SCR,HXWH,STL,ZPLT
4	007782-000	1	DRIP TRAY, WELDED ASM, RH
5	PA020028	1	SPARK IGNITER
6	007878-000	1	BURNER, GRIL, ASM
7	008152-000	1	DRIP TRAY, WELDED ASM, LH



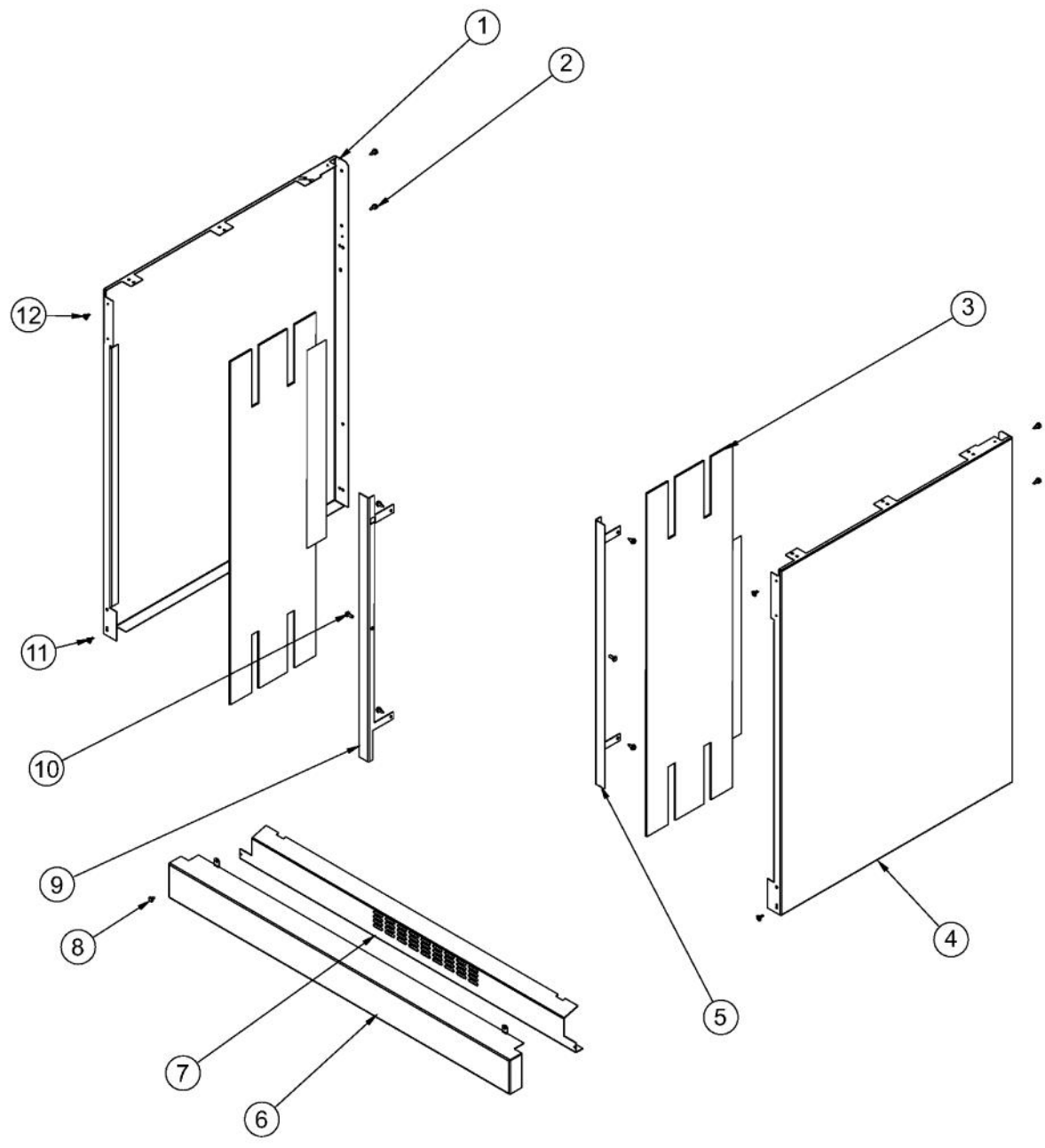
Ref #	Part Number	Qty.	Description
1	005312-000	1	BJB SLIMLINE 40 W BULB
2	PJ010050	4	SEALED BROIL ELEMENT W/GLASS
3	B20014051	1	PREMIERE BROIL ELEMENT BRACKET REAR
4	B20014050	1	PREMIERE BROIL ELEMENT BRACKET FRONT
5	003039-000	1	RACK GUIDE ASSY, RH
6	A2009641	2	BRKT, TOP WRAPPER
7	A2009622	1	BRKT, TOP WRAPPER, RIGHT
8	PD020067	1	NO.6 X 3/8 PAN PHIL. TEK SS
9	005311-000	1	120V/25W HALOGEN LIGHT
10	PD020232	1	NO.8 X 3/4 PH PAN HEAD TEK SCREW (BLACK OXIDE)
11	PJ010048	1	BAKE ELEMENT
12	A2009696	1	HOLDER, BAKE ELEMENT
13	003860-000	37	NO.10-18 X .500 FASTNR,SCR,HXWH,STL,ZPLT
14	004541-000	1	ELEMENT, MTG TRAY 36
15	031679-000	1	RECEPTACLE, HINGE
16	PD020063	1	SCREW-NO.8(A) X 3/8PH WFR HD/BK OXID
17	E9109655	1	BAKE TRAY COVER
18	NON REPLACEBLE	1	CONTROL BOARD MOUNTING PLATE (003050-000)
19	PD020062	1	NO.8-32 X 3/8 PHMS TYPE 1
20	007000-000	1	36 TRU-GLIDE RACK
21	005953-000	2	OVEN, RACK, ASM, STANDARD, VDSC36
22	E9107933	1	BROILER PAN
23	E9107934	1	BROILER PAN INSERT
24	A20012650	1	BRKT, TOP WRAPPER LEFT
25	E91014053	1	PORCELAIN 25/64 HOLE PLUG
26	003040-000	1	RACK GUIDE ASSY, LH
27	PD020048	1	NO.10 X 1/2 TEK 410 SS SCREW
28	PM010014	1	SMOKE ELIMINATOR (VDSC)
29	PB020275	1	VENT TUBE
30	B21010915	1	HINGE CLIP ? RH
31	B21010916	1	HINGE CLIP ? LH
32	PD020061	2	NO.8 X 3/4 FLAT HD TEK. SS.
NI	PE050206	1	RTD THERMOSTAT PROBE
NI	003803-000	1	SIDE PANEL ASSY, LH
NI	003802-000	1	SIDE PANEL ASSY, RH, SST
NI	005382-000	1	KICKPLATE, SS, VDSC36



Ref #	Part Number	Qty.	Description
1	002713-402	1	LINER,DOOR ,WLD,ASSY 36 BK
2	PD020032	7	SRW-8(A)X3/8PH.WFR HD 7/16DIAXNICL
3	PE060094	1	30 WINDOW PACK
4	000594-000	7	BLACK FIBERGLASS ROPE 3/8
5	006076-000	1	DOOR LINER INSULATION RETAINER, 36
6	006807-000	1	HINGE, BRKT, RH
7	006089-000	1	DOOR SKIN MTG BRACKET ASSY, 36
8	PD020073	2	SRW NO. 10 X 24 X 3/8 WAFER HD TYPE23
9	PD030010	6	NO.10-24 KEPS NUT
10	NOTFIELDREPLACE...	1	BURNER, IND, MODULE, 4B MUST ORDER ITEM NO.17
11	NOTFIELDREPLACE...	1	BURNER, IND, MODULE, 4B MUST ORDER ITEM NO.17
12	006086-000	2	DOOR, SKIN, INSULATION, SIDE, 36
13	002726-000	2	DOOR SKIN SIDE BRACKET
14	006082-000	1	DOOR SKIN HEAT SINK, 36
15	003012-000	1	DOOR HANDLE ENDCAP ASSY, RH (CHROME)
16	003012-100	1	DOOR HANDLE ENDCAP ASSY, RH (BRASS)
16	021311-000	1	DOOR SKIN SERVICE ASSEMBLY, SS
16	021312-002	1	DOOR SKIN SERVICE ASSEMBLY, BK
16	021312-003	1	DOOR SKIN SERVICE ASSEMBLY, BT
16	021312-004	1	DOOR SKIN SERVICE ASSEMBLY, SG
16	021312-005	1	DOOR SKIN SERVICE ASSEMBLY, GG
16	021312-006	1	DOOR SKIN SERVICE ASSEMBLY, WH
16	021312-008	1	DOOR SKIN SERVICE ASSEMBLY, BU
16	021312-009	1	DOOR SKIN SERVICE ASSEMBLY, LE
16	021312-010	1	DOOR SKIN SERVICE ASSEMBLY, MJ
16	021312-012	1	DOOR SKIN SERVICE ASSEMBLY, VB
16	021312-013	1	DOOR SKIN SERVICE ASSEMBLY, CB
16	021312-015	1	DOOR SKIN SERVICE ASSEMBLY, PL
16	021312-016	1	DOOR SKIN SERVICE ASSEMBLY, CH
16	021312-017	1	DOOR SKIN SERVICE ASSEMBLY, TP
16	021312-018	1	DOOR SKIN SERVICE ASSEMBLY, CW
16	021312-019	1	DOOR SKIN SERVICE ASSEMBLY, OG
16	021312-020	1	DOOR SKIN SERVICE ASSEMBLY, GM
16	021312-021	1	DOOR SKIN SERVICE ASSEMBLY, SA
16	021312-022	1	DOOR SKIN SERVICE ASSEMBLY, SE
16	021312-023	1	DOOR SKIN SERVICE ASSEMBLY, IB
16	021312-024	1	DOOR SKIN SERVICE ASSEMBLY, AR
16	021312-025	1	DOOR SKIN SERVICE ASSEMBLY, RR
16	021312-026	1	DOOR SKIN SERVICE ASSEMBLY, PM
16	021312-027	1	DOOR SKIN SERVICE ASSEMBLY, MS
17	PE010030	1	LOGO, 6, PRO, BK
18	003011-000	1	DOOR HANDLE ENDCAP ASSY, LH (CHROME)
19	003011-100	1	DOOR HANDLE ENDCAP ASSY, LH (BRASS)
19	006080-000	1	36 DOOR HANDLE, SST
20	PD030006	2	CAPPED WASHER PAL NUT
21	002736-000	4	NO.10-32 PAN HEAD PHILLIPS MACHINE SCREW
22	004907-000	4	STEEL FINISHING PLUG, NICKEL PLTD 25/64 HOLE
23	NOTFIELDREPLACE...	1	BURNER, IND, MODULE, 4B MUST ORDER ITEM NO.17
24	006788-000	1	INSULATION,DOOR,TOP,SUPERWOOL,,25,VDSC530
25	006808-000	1	HINGE, BRKT, LH
26	006999-000	2	HINGE, DOOR, VDSC36 - ORANGE SPRING
27	004153-000	2	DOOR GLASS HOLDER BRACKET
NI	009852-002	1	DOOR SKIN ASM - BK, 36 NOT FIELD REPLACEABLE
NI	009852-102	1	DOOR SKIN ASM - BK/BR, 36
NI	009852-003	1	DOOR SKIN ASM - BT, 36
NI	009852-103	1	DOOR SKIN ASM - BT/BR, 36
NI	009852-004	1	DOOR SKIN ASM - SG, 36

Ref #	Part Number	Qty.	Description
NI	009852-004	1	DOOR SKIN ASM - SG, 36
NI	009852-104	1	DOOR SKIN ASM - SG/BR, 36
NI	009852-005	1	DOOR SKIN ASM - CG, 36
NI	009852-105	1	DOOR SKIN ASM - CG/BR, 36
NI	009852-006	1	DOOR SKIN ASM - WH, 36
NI	009852-106	1	DOOR SKIN ASM - WH/BR, 36
NI	009852-007	1	DOOR SKIN ASM - AL, 36
NI	009852-107	1	DOOR SKIN ASM - AL/BR, 36
NI	009852-008	1	DOOR SKIN ASM - BU, 36
NI	009852-108	1	DOOR SKIN ASM - BU/BR, 36
NI	009852-009	1	DOOR SKIN ASM - LE, 36
NI	009852-109	1	DOOR SKIN ASM - LE/BR, 36
NI	009852-010	1	DOOR SKIN ASM - MJ, 36
NI	009852-110	1	DOOR SKIN ASM - MJ/BR, 36
NI	009852-011	1	DOOR SKIN ASM - FG, 36
NI	009852-111	1	DOOR SKIN ASM - FG/BR, 36
NI	009852-012	1	DOOR SKIN ASM - VB, 36
NI	009852-112	1	DOOR SKIN ASM - VB/BR, 36
NI	009852-013	1	DOOR SKIN ASM - CB, 36
NI	009852-113	1	DOOR SKIN ASM - CB/BR, 36
NI	009852-014	1	DOOR SKIN ASM - EP, 36
NI	009852-114	1	DOOR SKIN ASM - EP/BR, 36
NI	009852-015	1	DOOR SKIN ASM - PL, 36
NI	009852-115	1	DOOR SKIN ASM - PL/BR, 36
NI	009852-016	1	DOOR SKIN ASM - CH, 36
NI	009852-116	1	DOOR SKIN ASM - CH/BR, 36
NI	009852-017	1	DOOR SKIN ASM - TP, 36
NI	009852-117	1	DOOR SKIN ASM - TP/BR, 36
NI	009852-018	1	DOOR SKIN ASM - CW, 36
NI	009852-118	1	DOOR SKIN ASM - CW/BR, 36
NI	009852-019	1	DOOR SKIN ASM - OG, 36
NI	009852-119	1	DOOR SKIN ASM - OG/BR, 36
NI	009852-020	1	DOOR SKIN ASM - GM, 36
NI	009852-120	1	DOOR SKIN ASM - GM/BR, 36
NI	009852-021	1	DOOR SKIN ASM - SA, 36
NI	009852-121	1	DOOR SKIN ASM - SA/BR, 36
NI	009852-022	1	DOOR SKIN ASM - SE, 36
NI	009852-122	1	DOOR SKIN ASM - SE/BR, 36
NI	009852-023	1	DOOR SKIN ASM - IB, 36
NI	009852-123	1	DOOR SKIN ASM - IB/BR, 36
NI	009852-024	1	DOOR SKIN ASM - AR, 36
NI	009852-124	1	DOOR SKIN ASM - AR/BR, 36
NI	009852-025	1	DOOR SKIN ASM - RR, 36
NI	009852-125	1	DOOR SKIN ASM - RR/BR, 36
NI	009852-026	1	DOOR SKIN ASM - PM, 36
NI	009852-126	1	DOOR SKIN ASM - PM/BR, 36
NI	009852-027	1	DOOR SKIN ASM - MS, 36
NI	009852-127	1	DOOR SKIN ASM - MS/BR, 36
NI	009915-002	1	DOOR ASSEMBLY, 36 - BK
NI	009915-102	1	DOOR ASSEMBLY, 36 - BK/BR
NI	009915-003	1	DOOR ASSEMBLY, 36 - BT
NI	009915-103	1	DOOR ASSEMBLY, 36 - BT/BR
NI	009915-004	1	DOOR ASSEMBLY, 36 - SG
NI	009915-104	1	DOOR ASSEMBLY, 36 - SG/BR
NI	009915-005	1	DOOR ASSEMBLY, 36 - GG
NI	009915-105	1	DOOR ASSEMBLY, 36 - GG/BR
NI	009915-006	1	DOOR ASSEMBLY, 36 - WH
NI	009915-106	1	DOOR ASSEMBLY, 36 - WH/BR
NI	009915-007	1	DOOR ASM - AL, 36
NI	009915-107	1	DOOR ASM - AL/BR, 36

Ref #	Part Number	Qty.	Description
NI	009915-107	1	DOOR ASM - AL/BR, 36
NI	009915-008	1	DOOR ASSEMBLY, 36 - BU
NI	009915-108	1	DOOR ASSEMBLY, 36 - BU/BR
NI	009915-009	1	DOOR ASSEMBLY, 36 - LE
NI	009915-109	1	DOOR ASSEMBLY, 36 - LE/BR
NI	009915-010	1	DOOR ASSEMBLY, 36 - MJ
NI	009915-110	1	DOOR ASSEMBLY, 36 - MJ/BR
NI	009915-011	1	DOOR ASM - FG/BR, 36
NI	009915-111	1	DOOR ASM - FG/BR, 36
NI	009915-012	1	DOOR ASSEMBLY, 36 - VB
NI	009915-112	1	DOOR ASSEMBLY, 36 - VB/BR
NI	009915-013	1	DOOR ASSEMBLY, 36 - CB
NI	009915-113	1	DOOR ASSEMBLY, 36 - CB/BR
NI	009915-014	1	DOOR ASM - EP, 36
NI	009915-114	1	DOOR ASM - EP/BR, 36
NI	009915-015	1	DOOR ASSEMBLY, 36 - PL
NI	009915-115	1	DOOR ASSEMBLY, 36 - PL/BR
NI	009915-016	1	DOOR ASSEMBLY, 36 - CH
NI	009915-116	1	DOOR ASSEMBLY, 36 - CH/BR
NI	009915-017	1	DOOR ASSEMBLY, 36 - TP
NI	009915-117	1	DOOR ASSEMBLY, 36 - TP/BR
NI	009915-018	1	DOOR ASSEMBLY, 36 - CW
NI	009915-118	1	DOOR ASSEMBLY, 36 - CW/BR
NI	009915-019	1	DOOR ASSEMBLY, 36 - OG
NI	009915-119	1	DOOR ASSEMBLY, 36 - OG/BR
NI	009915-020	1	DOOR ASSEMBLY, 36 - GM
NI	009915-120	1	DOOR ASSEMBLY, 36 - GM/BR
NI	009915-021	1	DOOR ASSEMBLY, 36 - SA
NI	009915-121	1	DOOR ASSEMBLY, 36 - SA/BR
NI	009915-022	1	DOOR ASSEMBLY, 36 - SE
NI	009915-122	1	DOOR ASSEMBLY, 36 - SE/BR
NI	009915-023	1	DOOR ASSEMBLY, 36 - IB
NI	009915-123	1	DOOR ASSEMBLY, 36 - IB/BR
NI	009915-024	1	DOOR ASSEMBLY, 36 - AR
NI	009915-124	1	DOOR ASSEMBLY, 36 - AR/BR
NI	009915-025	1	DOOR ASSEMBLY, 36 - RR
NI	009915-125	1	DOOR ASSEMBLY, 36 - RR/BR
NI	009915-026	1	DOOR ASSEMBLY, 36 - PM
NI	009915-126	1	DOOR ASSEMBLY, 36 - PM/BR
NI	009915-027	1	DOOR ASSEMBLY, 36 - MS
NI	009915-127	1	DOOR ASSEMBLY, 36 - MS/BR
NI	006996-000	1	DOOR GASKET, 36



Ref #	Part Number	Qty.	Description
1	003803-000	1	SIDE PANEL ASSY, LH
1	005506-002	1	SIDE PANEL, LH ASSY, PAINTED XBKX
1	005506-003	1	SIDE PANEL, LH ASSY, PAINTED XBTX
1	005506-004	1	SIDE PANEL, LH ASSY, PAINTED XSGX
1	005506-005	1	SIDE PANEL, LH ASSY, PAINTED XGGX
1	005506-006	1	SIDE PANEL, LH ASSY, PAINTED XWHX
1	005506-008	1	SIDE PANEL, LH ASSY, PAINTED XBUX
1	005506-009	1	SIDE PANEL, LH ASSY, PAINTED XLEX
1	005506-010	1	SIDE PANEL, LH ASSY, PAINTED XMJX
1	005506-012	1	SIDE PANEL, LH ASSY, PAINTED XVBX
1	005506-013	1	SIDE PANEL, LH ASSY, PAINTED XCBX
1	005506-015	1	SIDE PANEL, LH ASSY, PAINTED XPLX
1	005506-016	1	SIDE PANEL, LH ASSY, PAINTED XCHX
1	005506-017	1	SIDE PANEL, LH ASSY, PAINTED XTPX
1	005506-018	1	SIDE PANEL, LH ASSY, PAINTED XCWX
1	005506-019	1	SIDE PANEL, LH ASSY, PAINTED XOGX
1	005506-020	1	SIDE PANEL, LH ASSY, PAINTED XGMX
1	005506-021	1	SIDE PANEL, LH ASSY, PAINTED XSAX
1	005506-022	1	SIDE PANEL, LH ASSY, PAINTED XSEX
1	005506-023	1	SIDE PANEL, LH ASSY, PAINTED XIBX
1	005506-024	1	SIDE PANEL, LH ASSY, PAINTED XARX
1	005506-025	1	SIDE PANEL, LH ASSY, PAINTED XRRX
1	005506-026	1	SIDE PANEL, LH ASSY, PAINTED XPMX
1	005506-027	1	SIDE PANEL, LH ASSY, PAINTED XMSX
2	003860-000	8	NO.10-18 X .500 FASTNR,SCR,HXWH,STL,ZPLT
3	007488-000	2	SINK, REAR, SIDE
4	003802-000	1	SIDE PANEL ASSY, RH, SST
4	005503-002	1	SIDE PANEL, RH ASSY, PAINTED XBKX
4	005503-003	1	SIDE PANEL, RH ASSY, PAINTED XBTX
4	005503-004	1	SIDE PANEL, RH ASSY, PAINTED XSGX
4	005503-005	1	SIDE PANEL, RH ASSY, PAINTED XGGX
4	005503-006	1	SIDE PANEL, RH ASSY, PAINTED XWHX
4	005503-008	1	SIDE PANEL, RH ASSY, PAINTED XBUX
4	005503-009	1	SIDE PANEL, RH ASSY, PAINTED XLEX
4	005503-010	1	SIDE PANEL, RH ASSY, PAINTED XMJX
4	005503-012	1	SIDE PANEL, RH ASSY, PAINTED XVBX
4	005503-013	1	SIDE PANEL, RH ASSY, PAINTED XCBX
4	005503-015	1	SIDE PANEL, RH ASSY, PAINTED XPLX
4	005503-016	1	SIDE PANEL, RH ASSY, PAINTED XCHX
4	005503-017	1	SIDE PANEL, RH ASSY, PAINTED XTPX
4	005503-018	1	SIDE PANEL, RH ASSY, PAINTED XCWX
4	005503-019	1	SIDE PANEL, RH ASSY, PAINTED XOGX
4	005503-020	1	SIDE PANEL, RH ASSY, PAINTED XGMX
4	005503-021	1	SIDE PANEL, RH ASSY, PAINTED XSAX
4	005503-022	1	SIDE PANEL, RH ASSY, PAINTED XSEX
4	005503-023	1	SIDE PANEL, RH ASSY, PAINTED XIBX
4	005503-024	1	SIDE PANEL, RH ASSY, PAINTED XARX
4	005503-025	1	SIDE PANEL, RH ASSY, PAINTED XRRX
4	005503-026	1	SIDE PANEL, RH ASSY, PAINTED XPMX
4	005503-027	1	SIDE PANEL, RH ASSY, PAINTED XMSX
5	004606-000	1	OVEN, TRIM, FR, SIDE, RH, 36
6	005382-000	1	KICKPLATE, SS, VDSC36
6	010989-002	1	KICKPLATE, BK
6	010989-003	1	KICKPLATE, BT 36
6	010989-004	1	KICKPLATE, SG 36
6	010989-005	1	KICKPLATE, 36 GG
6	010989-006	1	KICKPLATE, 36 WH
6	010989-008	1	KICKPLATE, BU 36
6	010989-009	1	KICKPLATE, LE 36
6	010989-010	1	KICKPLATE, MJ 36

Ref #	Part Number	Qty.	Description
6	010989-010	1	KICKPLATE, MJ 36
6	010989-012	1	KICKPLATE, VB 36
6	010989-013	1	KICKPLATE - CB
6	010989-015	1	KICKPLATE, PL 36
6	010989-016	1	KICKPLATE, CH 36
6	010989-017	1	KICKPLATE, TP 36
6	010989-018	1	KICKPLATE, CW 36
6	010989-019	1	KICKPLATE, OG 36
6	010989-020	1	KICKPLATE, GM 36
6	010989-021	1	KICKPLATE, SA 36
6	010989-022	1	KICKPLATE, SE 36
6	010989-023	1	KICKPLATE, IB 36
6	010989-024	1	KICKPLATE, AR 36
6	010989-025	1	KICKPLATE, RR 36
6	010989-026	1	KICKPLATE, PM 36
6	010989-027	1	KICKPLATE, MS 36
7	005381-000	1	ACCESS GRILL PANEL, LOWER 36
8	PD020032	2	SRW-8(A)X3/8PH.WFR HD 7/16DIAXNICL
9	004607-000	1	OVEN, TRIM, FR, SIDE, LH, 36
10	PD020048	2	NO.10 X 1/2 TEK 410 SS SCREW
11	003801-000	2	SHOULDER SCREW, NO.10

*No Image  
Available*

Ref #	Part Number	Qty.	Description
NI	015103-000	1	HARNESS, TEST, VDSC-T MODELS
NI	024871-000	1	MAIN HARNESS
NI	PE070739	1	BAKE ELEMENT HARNESS
NI	023340-000	1	IRIS HARNESS, 36
NI	001134-000	1	IRIS HARNESS INSULATED CAP
NI	020019-000	1	HARNESS, WRG, CONTROL
NI	024909-000	1	SHIELD, WRG
NI	000647-000	3	IRIS IGNITOR WIRE, FRONT BURNER
NI	006766-000	3	IRIS IGNITOR WIRE, BACK BURNER