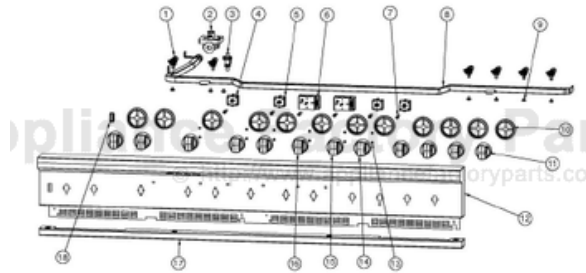


This Owner's Manual is provided and hosted by [Appliance Factory Parts](http://ApplianceFactoryParts.com).



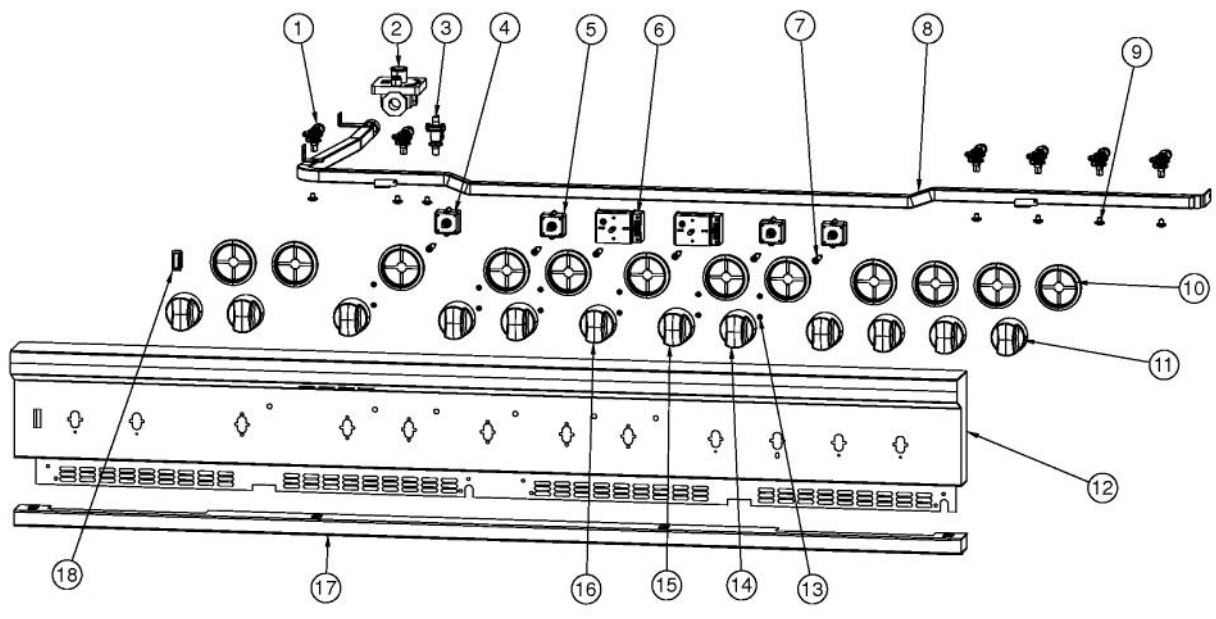
VIKING VDSC560-6G Owner's Manual

[Shop genuine replacement parts for VIKING
VDSC560-6G](#)

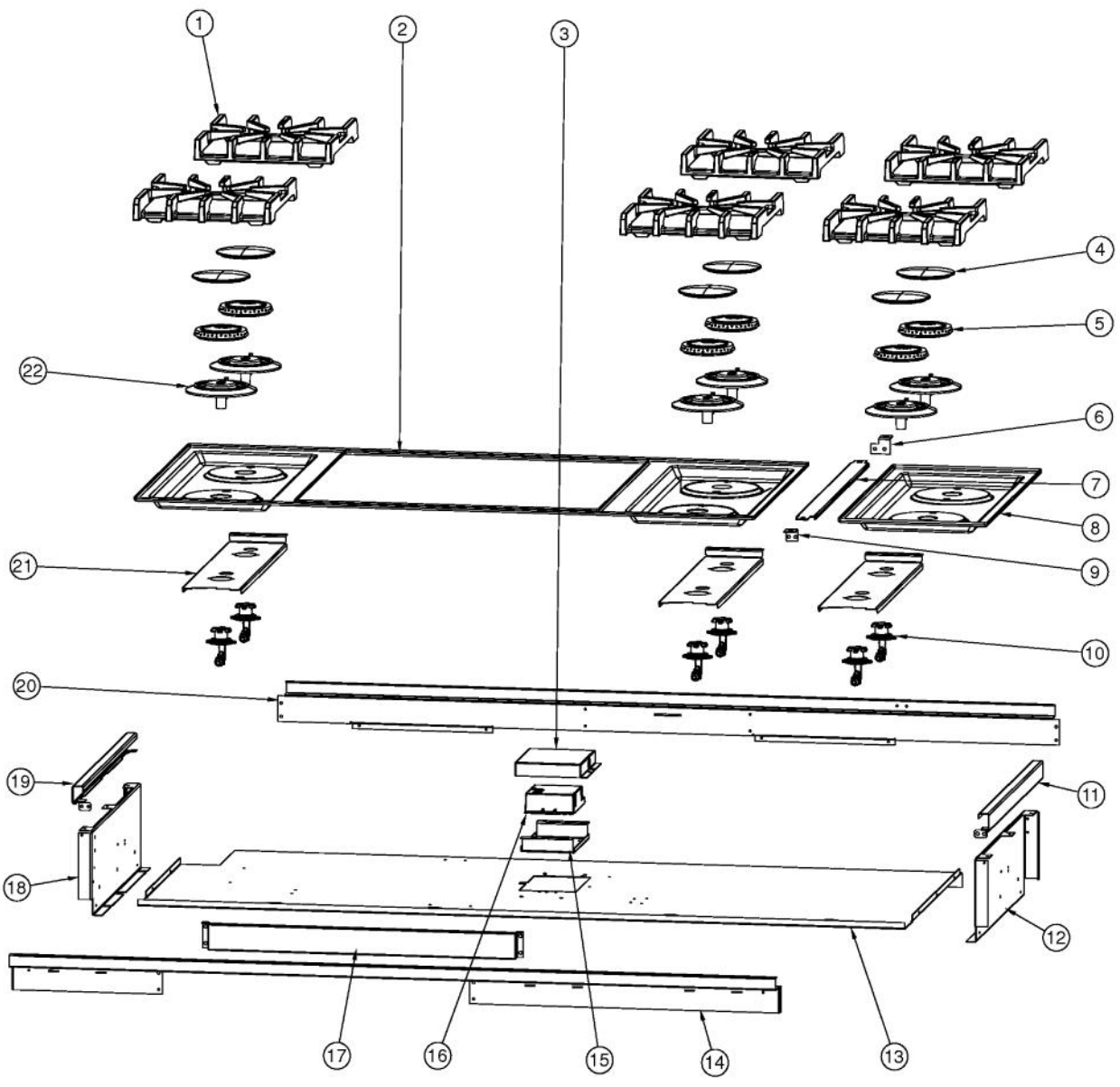


[Find Your VIKING Range Hoods Parts - Select From 411 Models](#)

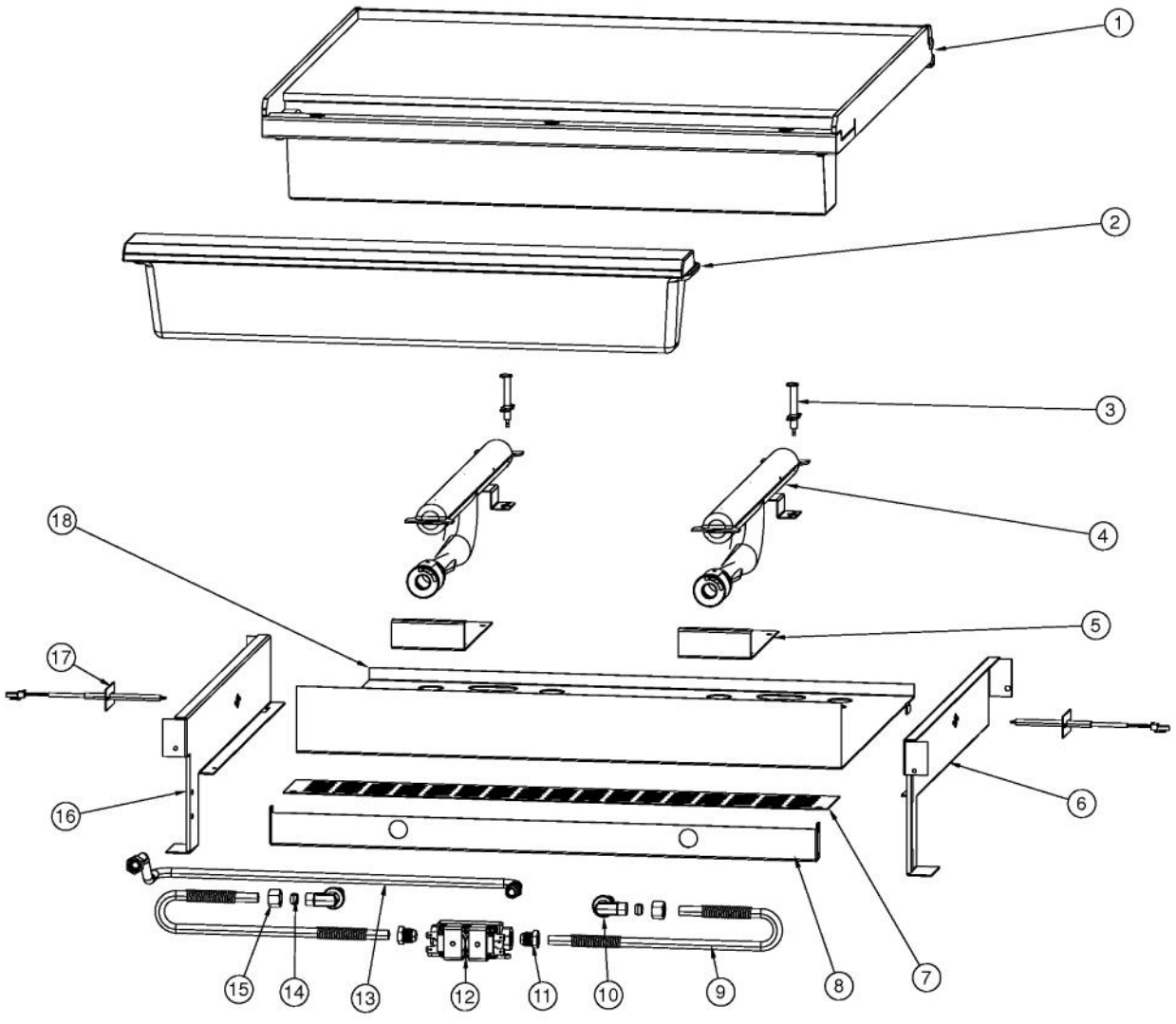
----- Manual continues below -----



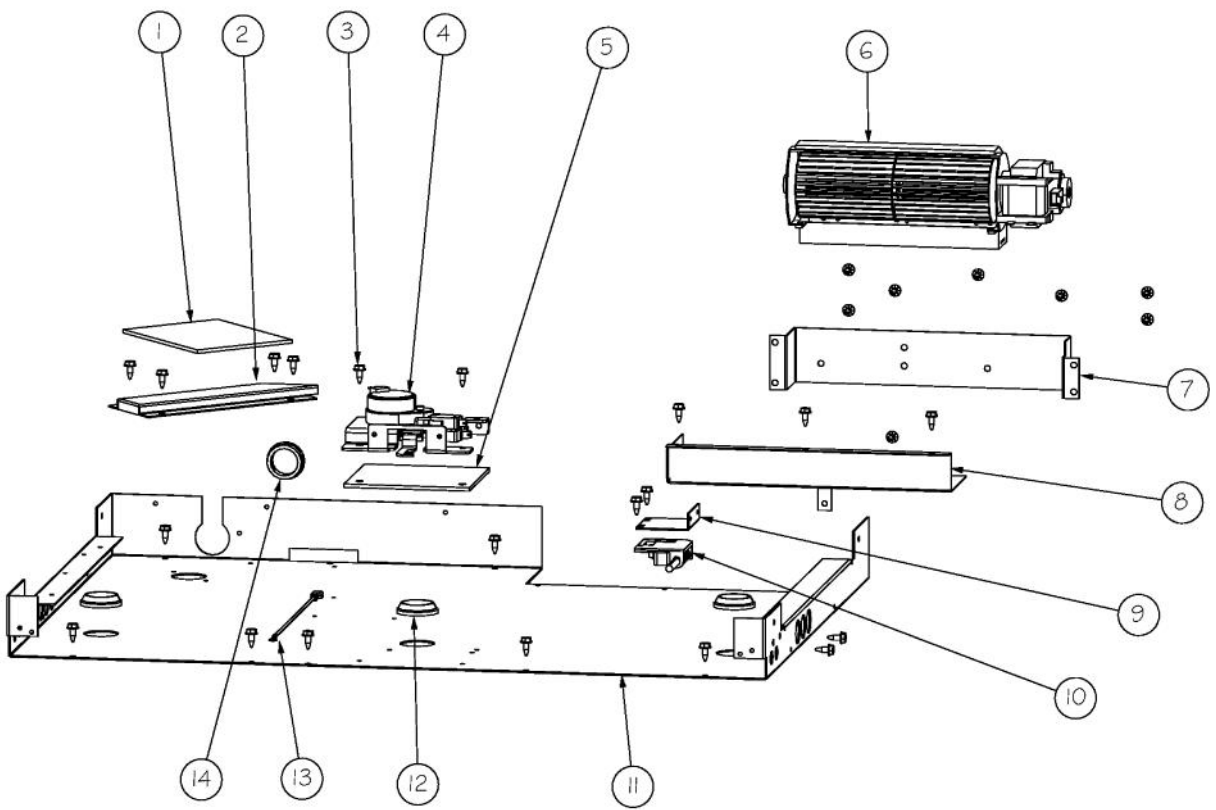
Ref #	Part Number	Qty.	Description
1	006015-000	6	VALVE, BRS, SEALED TOP - ISPHORDING
2	PA070003	1	PRESSURE REGULATOR (NAT.)
2	013386-000	1	LP PRESSURE REGULATOR
3	PB030007	1	SHUT OFF VALVE
4	PJ030033	2	SELECTOR (10 POS)
5	PJ030035	2	THERMOSTAT
6	026469-000	2	THERMOSTAT, 2-POS, 91 SHAFT
7	015043-000	6	INDICATOR, LIGHT, BLUE LED
8	026109-000	1	MANIFOLD, VDSC/VGRT560-6G (NAT)
8	026110-0LP	1	MANIFOLD ASM, DF 560-6G (LP)
9	PD010012	7	VALVE BOLT 1/4-20 UNC-2B 5/16 M.S.
10	PB010304	12	KNOB BEZEL
10	PB010304PVD	12	RESTYLE KNOB BEZEL, BR
11	005269-000	6	RANGE TOP BURNER KNOB-BRUSHED, SSS
12	025954-2305	1	PNL, CTRL, ASM, VDSC560-6G W/GRAPHICS
13	PD010028	12	BOLT M 4X5
14	005270-000	2	RANGE THERMOSTAT KNOB-BRUSHED, SSS
15	005271-000	2	RANGE SELECTOR KNOB-BRUSHED, SSS
16	006570-000	2	KNOB, GRDL/(LH OVEN), ASM, PVD, NO.3, SSS
17	014321-000	1	TRIM, ASM, CUSTOM 60
18	003719-000	1	OVEN LIGHT SWITCH, BLACK
NI	PD020032	4	SRW-8(A)X3/8PH.WFR HD 7/16DIAXNICL
NI	PD020067	6	NO.6 X 3/8 PAN PHIL. TEK SS
NI	PA020058	6	IRIS SINGLE SPARK MODULE



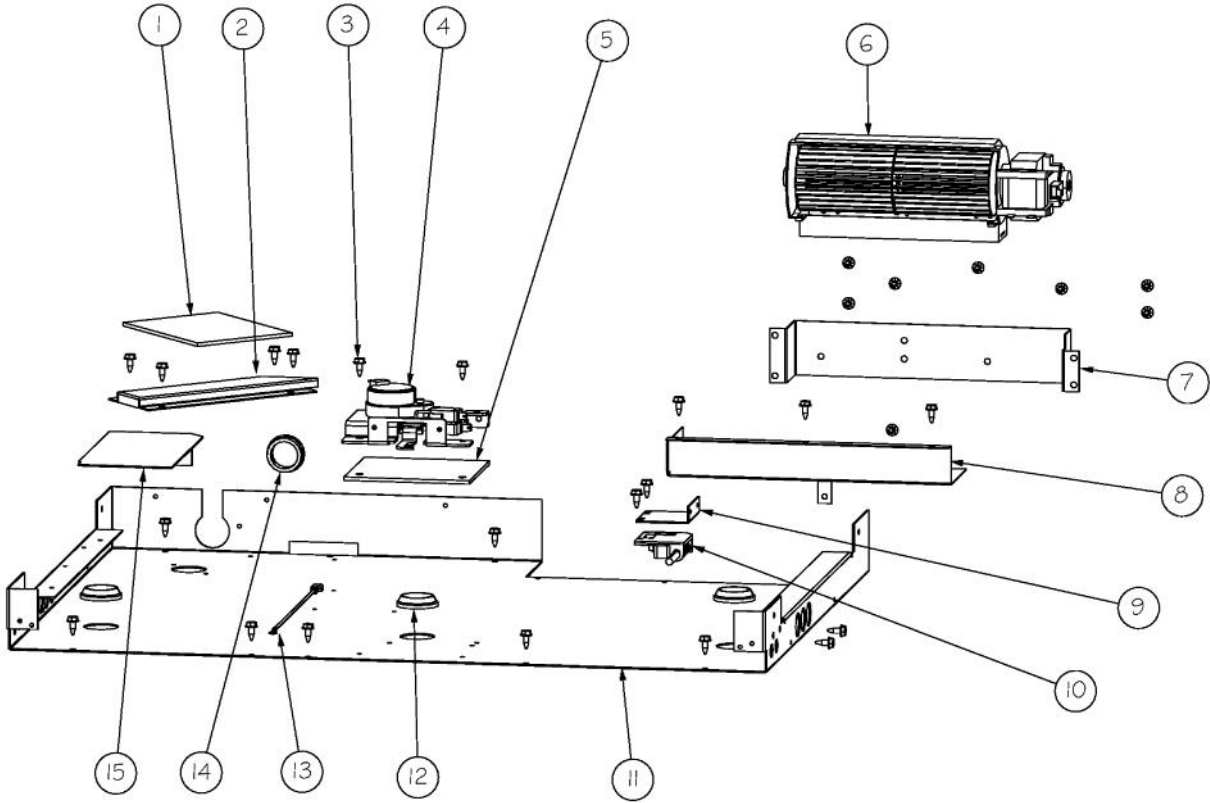
Ref #	Part Number	Qty.	Description
1	007323-000	6	BURNER GRATE
2	E2109804	1	48 SEALED TOP
3	024305-000	1	COVER, DSI, 6G
4	PA080083	6	D BURNER CAP XMATTE BLACKX
5	006706-000	6	B6 REV SEALED BURNER
6	017120-000	1	BRACKET, BRDG, REAR
7	017108-000	1	BRIDGE, CKTP
8	E91015333	1	SEALED BURNER TOP - 12
9	017111-000	1	BRACKET, BRDG, FR
10	001394-041	1	18500 BTU NAT JETHOLDER
10	001394-042	5	15000 BTU NAT JETHOLDER
10	001394-044	1	16.6 K BTU LP JETHOLDER
10	001394-046	5	12.5 K BTU LP JETHOLDER
11	002920-000	1	SIDE TRIM, RH - STAINLESS
12	002755-000	1	BURNER BOX SIDE, RH
13	024702-000	1	BURNER, BOX, BOT, VDSC560
14	026112-000	1	SUPPORT, FRONT, 560-6G
15	024301-000	1	BOARD, DSI, CRADLE
16	023651-000	1	DSI120 LONG PURGE
17	026036-000	1	BRACE, SUPPORT, FRONT
18	003481-000	1	BURNER BOX SIDE, LH
19	003649-000	1	SIDE TRIM, LH - STAINLESS
20	006762-000	1	SUPPORT, BURNER BOX, REAR
21	002923-000	3	BURNER MODULE SUPPORT
22	003322-041	6	SEALED BURNER BASE, PAINTED FINISH
NI	009197-000	12	NO.6-32 X 5/8 18-8 SS NC SOC CAP
NI	003860-000	4	NO.10-18 X .500 FASTNR,SCR,HXWH,STL,ZPLT
NI	PB020192	4	10 FLEX TUBING W/CONNECTORS
NI	PB020193	2	16 FLEX TUBING W/CONNECTORS
NI	PD020005	8	NO.8 X 1/2 PH.PN.HD.SMS.



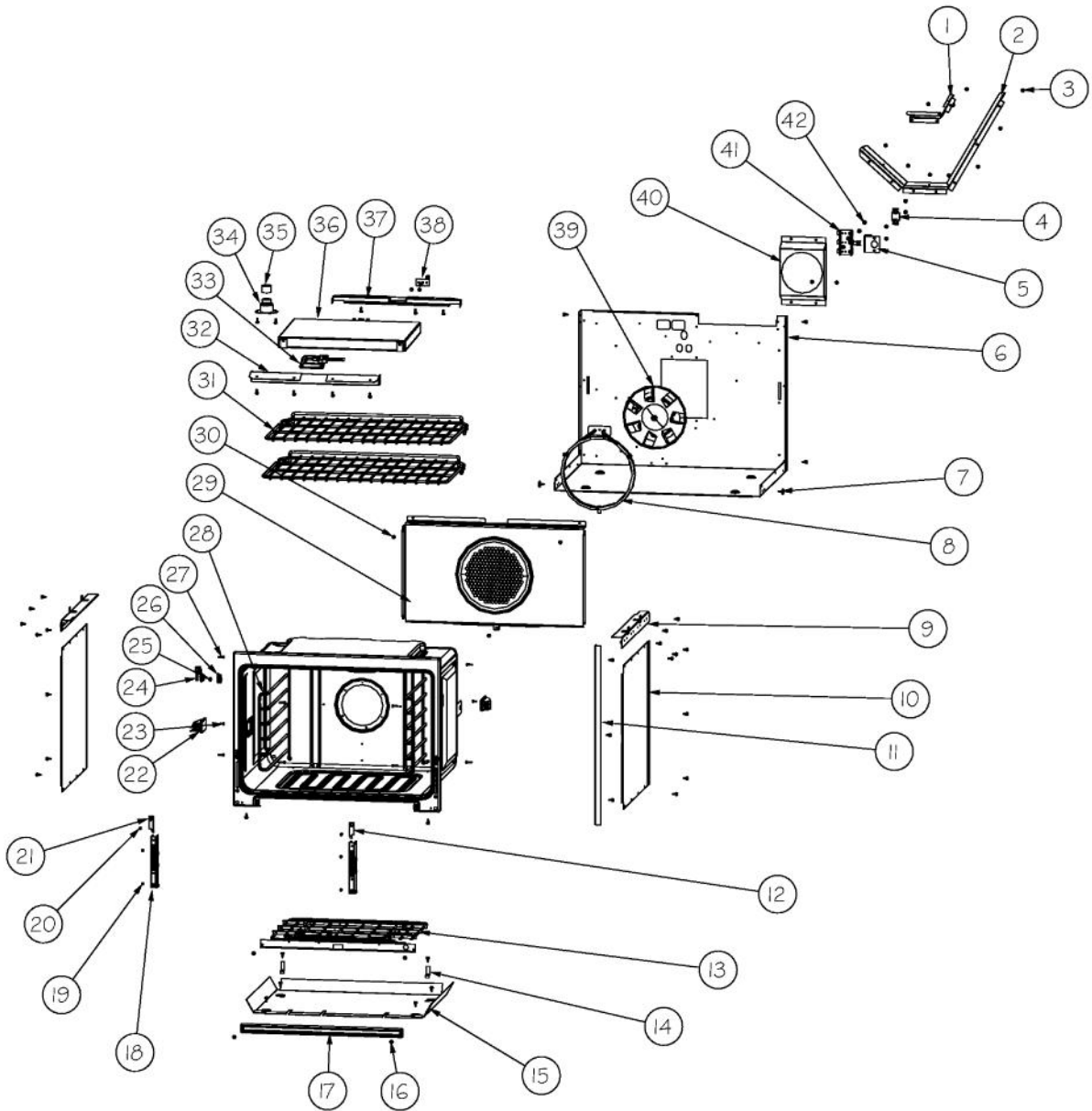
Ref #	Part Number	Qty.	Description
1	040248-000	1	24 GRIDDLE, ASM
2	025750-000	1	TROUGH, GRIDDLE, ASM, 24
3	PA020028	2	SPARK IGNITER
4	013888-000	2	GRIDDLE, BURNER, ASM, NAT, W/IGNITOR BRACKET
4	013889-000	2	GRIDDLE, BURNER, ASM, LP, W/IGNITOR BRACKET
5	006785-000	2	GRIDDLE, BOX, VENTURI, COVER
6	016295-000	1	SIDE, GRILL BOX, RH
7	027489-000	1	SHIELD, WIRE
8	026113-000	1	GRIDDLE ORIFICE BRKT
9	PB020126	2	3/8` S.S. FLEX TUBING 15` (DGPU)
10	PB040190	2	90 DEGREE ORIFICE FITTING NO.50 NAT
10	002513-000	2	90 DEGREE ORIFICE FITTING NO.57 LP
11	PB040050	2	3/8CC MALE COMP. FITTING W/FERRULE
12	009112-000	1	VALVE, SOL, DOUBLE
13	026037-000	1	TUBING, GRIDDLE VALVE
14	PB040049	2	3/8 XBRX FERRULE (FOR 3/8CC FEMALE
15	PB040051	2	3/8CC FEMALE COMP. FITTING
16	016293-000	1	GRIDDLE SUPPORT, LEFT
17	PE050206	2	RTD THERMOSTAT PROBE
18	026114-000	1	GRIDDLE, BOX, BTM, 24



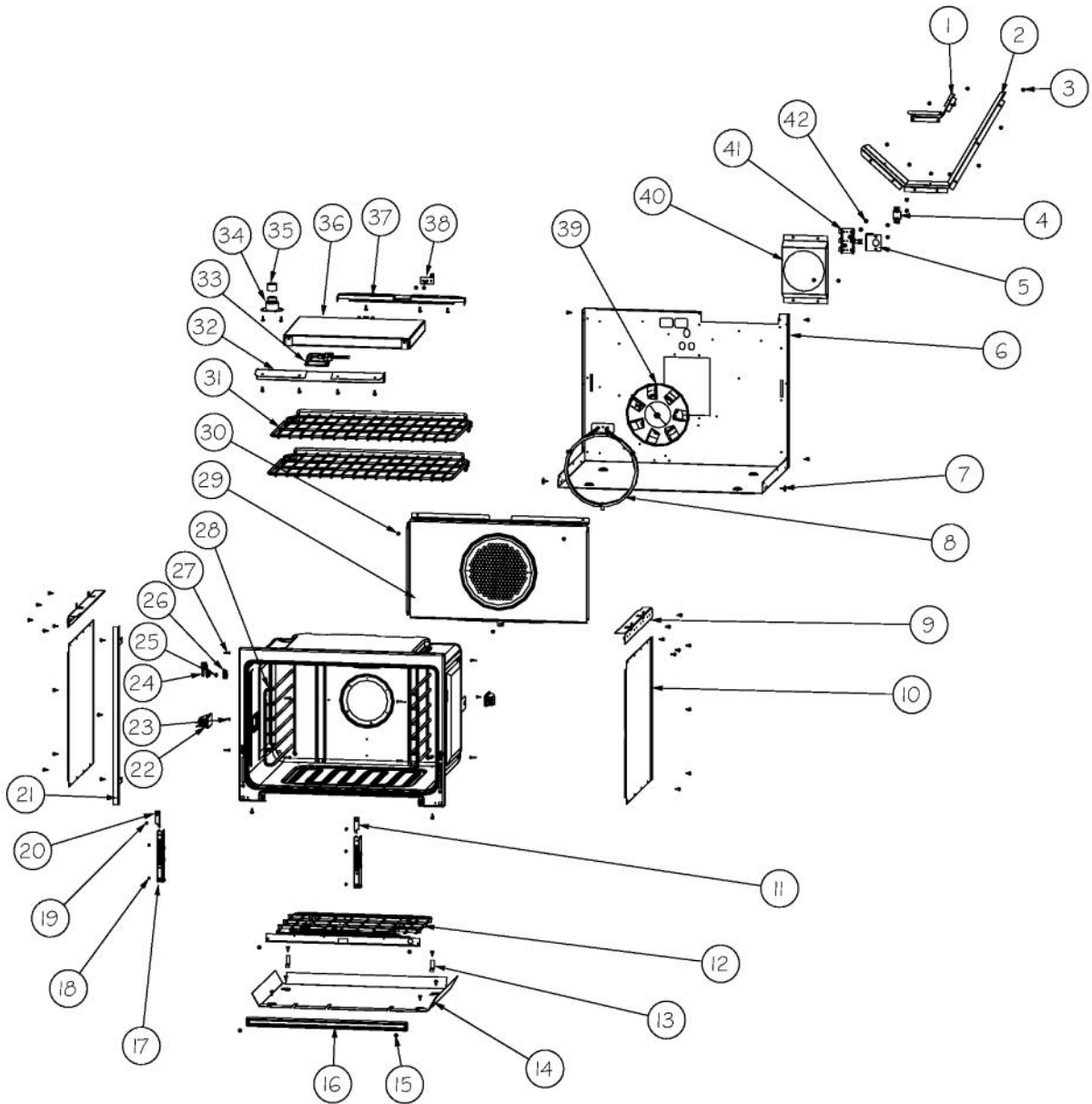
Ref #	Part Number	Qty.	Description
1	004285-000	1	INSULATION, FOIL-BACKED,4X5
2	003333-000	1	DUCT, FLUE
3	003860-000	28	NO.10-18 X .500 FASTNR,SCR,HXWH,STL,ZPLT
4	013250-000	1	LATCH,DOOR,ASM,240V,GRIDDLE LOCKOUT
5	013564-000	1	LOWER LATCH INSULATION
6	PE050250	1	PREMIUM BLOWER WITH HES (BEFORE 8/10/2013)
6	018607-000	1	FAN,BLO, 220-240V 50/60HZ ASSY (ON OR AFTER 8/10/2013)
7	004110-000	1	MOUNT,BLOWER
8	A2009659	1	BRACKET, FILLER, BLOWER
9	A20012649	1	DOOR SWITCH BRACKET
10	PE050208	1	DOOR SWITCH
11	002754-000	1	RANGE TOP BRACE, AIR CHANNEL
12	PB070079	3	SILICONE EXTRUSION (DGSU)
13	G4000936	1	GROUND WIRE
14	PD040152	1	SNAP BUSHING



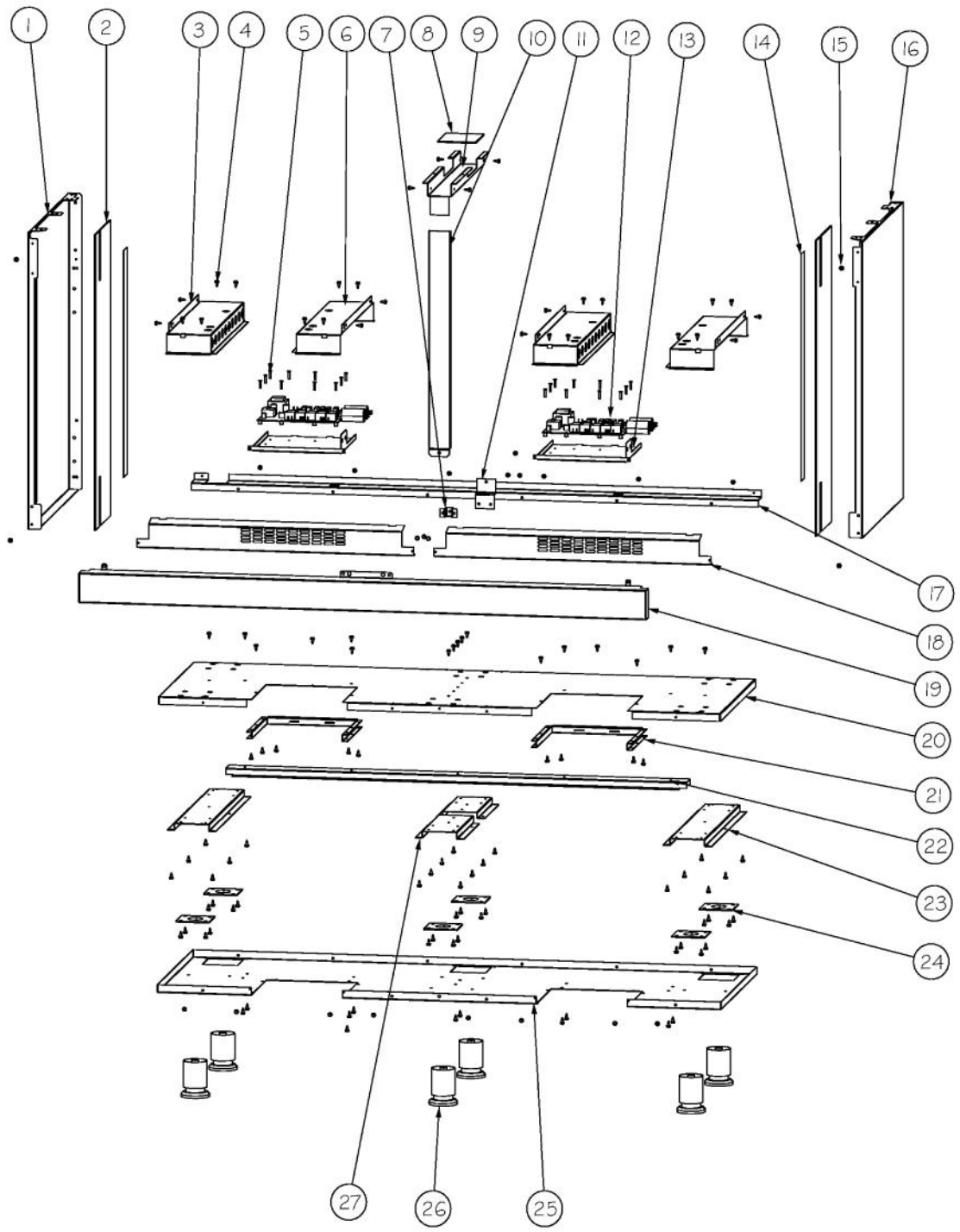
Ref #	Part Number	Qty.	Description
1	004285-000	1	INSULATION, FOIL-BACKED,4X5
2	003333-000	1	DUCT, FLUE
3	003860-000	28	NO.10-18 X .500 FASTNR,SCR,HXWH,STL,ZPLT
4	013250-000	1	LATCH,DOOR,ASM,240V,GRIDDLE LOCKOUT
5	013564-000	1	LOWER LATCH INSULATION
6	PE050250	1	PREMIUM BLOWER WITH HES (BEFORE 8/10/2013)
6	018607-000	1	FAN,BLO, 220-240V 50/60HZ ASSY (ON OR AFTER 8/10/2013)
7	004110-000	1	MOUNT,BLOWER
8	A2009659	1	BRACKET, FILLER, BLOWER
9	A20012649	1	DOOR SWITCH BRACKET
10	PE050208	1	DOOR SWITCH
11	002754-000	1	RANGE TOP BRACE, AIR CHANNEL
12	PB070079	3	SILICONE EXTRUSION (DGSU)
13	G4000936	1	GROUND WIRE
14	PD040152	1	SNAP BUSHING
15	004016-000	1	PLATE,SVCE,RGLT



Ref #	Part Number	Qty.	Description
1	003356-000	1	DIVERTER, AIR
2	002941-000	1	BAFFLE, FAN, REAR
3	003860-000	36	NO.10-18 X .500 FASTNR,SCR,HXWH,STL,ZPLT
4	A1002457	1	POWER CORD MOUNTING STRAP (VDSC)
5	A2002195	1	POWER CORD MOUNTING BRKT (VDSC)
6	UNSERVICEABLE	1	OVEN CAVITY, ASM 36
7	PD020151	2	SHOULDER SCREW
8	PJ010047	1	CONVECTION ELEMENT
9	A2009641	2	BRKT, TOP WRAPPER
10	014137-000	2	WRAPPER, OVEN SIDE
11	003644-000	1	TRIM,FRONT,SIDE,STAINLESS
12	B21010915	1	HINGE CLIP ? RH
13	PJ010048	1	BAKE ELEMENT
14	A2009696	2	HOLDER, BAKE ELEMENT
15	A2009612	1	ELEMENT, MTG TRAY
16	PD020063	2	SCREW-NO.8(A) X 3/8PH WFR HD/BK OXID
17	E2109655	1	COVER, BAKE TRAY
18	031679-000	2	RECEPTACLE, HINGE
19	PD020062	4	NO.8-32 X 3/8 PHMS TYPE 1
20	PD020061	2	NO.8 X 3/4 FLAT HD TEK. SS.
21	B21010916	1	HINGE CLIP ? LH
22	005311-000	2	120V/25W HALOGEN LIGHT
22	020403-000	1	BJB SLIMLINE 40W BULB
23	PD020067	2	NO.6 X 3/8 PAN PHIL. TEK SS
24	PE050115	1	MEAT PROBE JACK
25	E91014053	1	PORCELAIN 25/64 HOLE PLUG
26	PM010160	1	MEAT PROBE JACK COVER
27	PD020232	8	NO.8 X 3/4 PH PAN HEAD TEK SCREW (BLACK OXIDE)
28	003040-000	2	RACK GUIDE ASSY, LH
28	003039-000	1	RACK GUIDE ASSY, RH
29	G91013598	1	30 BAFFLE ASSEMBLY
30	PD020048	14	NO.10 X 1/2 TEK 410 SS SCREW
31	PB060107	2	30 OVEN RACK
32	B20014050	1	PREMIERE BROIL ELEMENT BRACKET FRONT
33	005312-000	1	BJB SLIMLINE 40 W BULB
33	020403-000	1	BJB SLIMLINE 40W BULB
34	PM010014	1	SMOKE ELIMINATOR (VDSC)
35	PB020275	1	VENT TUBE
36	PJ010050	1	SEALED BROIL ELEMENT W/GLASS
37	B20014051	1	PREMIERE BROIL ELEMENT BRACKET REAR
38	PE050206	1	RTD THERMOSTAT PROBE
39	G32014020	1	CONVECTION FAN ASSY
40	A2009697	1	BRACKET, CONVECTION INSULATION
41	PE070147	1	TERMINAL BLOCK
42	PD020014	2	10X3/4 PH TR HD SMS
NI	024102-000	1	PULL OUT RACK, 30 TRUE GLIDE

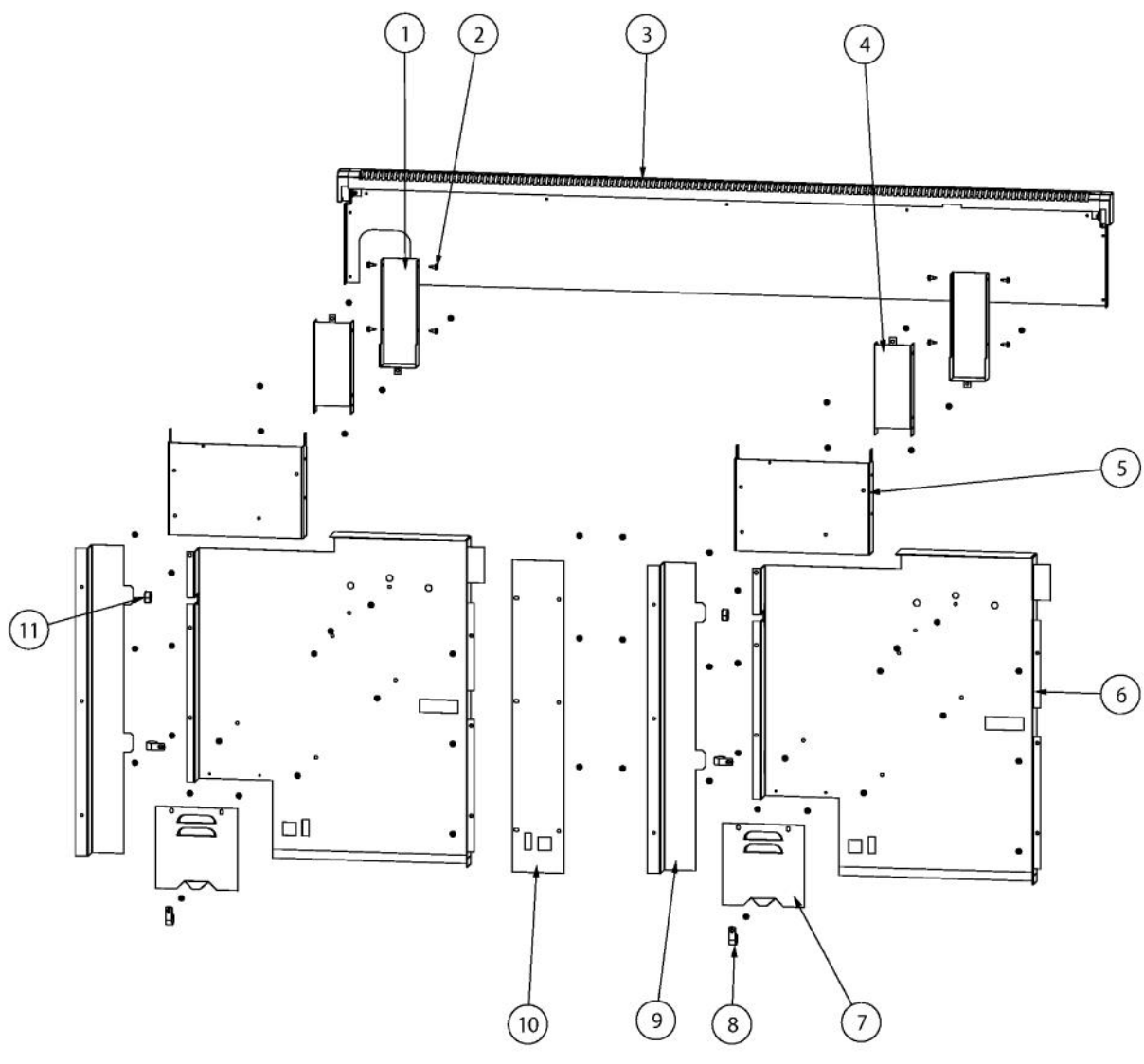


Ref #	Part Number	Qty.	Description
1	003356-000	1	DIVERTER, AIR
2	002941-000	1	BAFFLE, FAN, REAR
3	003860-000	36	NO.10-18 X .500 FASTNR,SCR,HXWH,STL,ZPLT
4	A1002457	1	POWER CORD MOUNTING STRAP (VDSC)
5	A2002195	1	POWER CORD MOUNTING BRKT (VDSC)
6	UNSERVICEABLE	1	OVEN CAVITY, ASM 36
7	PD020151	2	SHOULDER SCREW
8	PJ010047	1	CONVECTION ELEMENT
9	A2009641	2	BRKT, TOP WRAPPER
10	014137-000	2	WRAPPER, OVEN SIDE
11	B21010915	1	HINGE CLIP ? RH
12	PJ010048	1	BAKE ELEMENT
13	A2009696	2	HOLDER, BAKE ELEMENT
14	A2009612	1	ELEMENT, MTG TRAY
15	PD020063	2	SCREW-NO.8(A) X 3/8PH WFR HD/BK OXID
16	E2109655	1	COVER, BAKE TRAY
17	031679-000	2	RECEPTACLE, HINGE
18	PD020062	4	NO.8-32 X 3/8 PHMS TYPE 1
19	PD020061	2	NO.8 X 3/4 FLAT HD TEK. SS.
20	B21010916	1	HINGE CLIP ? LH
21	005038-000	1	TRIM,FR,SIDE,L
22	005311-000	2	120V/25W HALOGEN LIGHT
22	020403-000	1	BJB SLIMLINE 40W BULB
23	PD020067	2	NO.6 X 3/8 PAN PHIL. TEK SS
24	PE050115	1	MEAT PROBE JACK
25	E91014053	1	PORCELAIN 25/64 HOLE PLUG
26	PM010160	1	MEAT PROBE JACK COVER
27	PD020232	8	NO.8 X 3/4 PH PAN HEAD TEK SCREW (BLACK OXIDE)
28	003040-000	2	RACK GUIDE ASSY, LH
29	G91013598	1	30 BAFFLE ASSEMBLY
30	PD020048	14	NO.10 X 1/2 TEK 410 SS SCREW
31	PB060107	2	30 OVEN RACK
32	B20014050	1	PREMIERE BROIL ELEMENT BRACKET FRONT
33	005312-000	1	BJB SLIMLINE 40 W BULB
33	020403-000	1	BJB SLIMLINE 40W BULB
34	PM010014	1	SMOKE ELIMINATOR (VDSC)
35	PJ010050	1	SEALED BROIL ELEMENT W/GLASS
36	PB020275	1	VENT TUBE
37	B20014051	1	PREMIERE BROIL ELEMENT BRACKET REAR
38	PE050206	1	RTD THERMOSTAT PROBE
39	G32014020	1	CONVECTION FAN ASSY
40	A2009697	1	BRACKET, CONVECTION INSULATION
41	PE070147	1	TERMINAL BLOCK
42	PD020014	4	10X3/4 PH TR HD SMS
NI	024102-000	1	PULL OUT RACK, 30 TRUE GLIDE

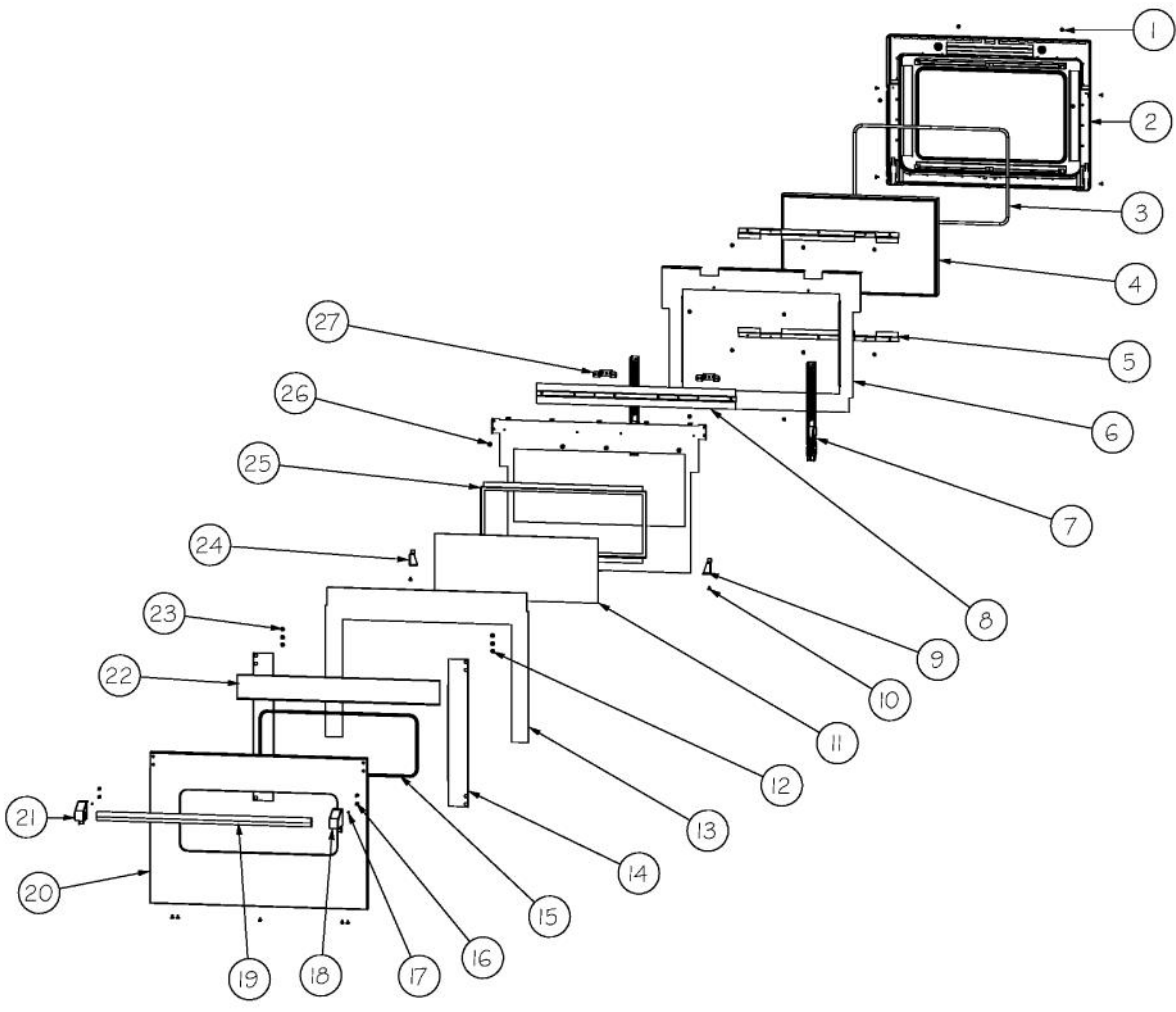


Ref #	Part Number	Qty.	Description
1	003588-000	1	SIDE PANEL, LH
2	007488-000	2	SINK, REAR, SIDE
3	003763-000	2	OVEN MODULE SUPPORT CHANNEL, LH
4	003860-000	129	NO.10-18 X .500 FASTNR,SCR,HXWH,STL,ZPLT
5	PD020043	20	NO.6-32 X .750 PH. CTRSK T(F)-VGSO166
6	003761-000	2	OVEN MODULE SUPPORT CHANNEL, RH
7	006741-000	1	PANEL, BRACKET, LWR, VDSC560
8	004285-000	1	INSULATION, FOIL-BACKED,4X5
9	006416-000	1	CONNECTION, UPPER, VDSC560
10	006417-000	1	TRIM, CTR, VDSC60
11	013787-000	1	BRACKET, MTG, REAR, OVEN CAVITY
12	000621-000	2	SUB TO 002406-000 - CONTROL BOARD (BEFORE 7/20/10)
12	014000-000	1	EOC4-CONTROL BOARD (ON OR AFTER 7/20/10)
NI	013999-000	1	SWITCHING POWER SUPPLY BOARD / EOC4 (ON OR AFTER 7/20/10)
13	003050-000	2	CONTROL BOARD MOUNTING PLATE (BEFORE 7/20/10)
13	015096-000	1	PLATE, MTG, EOC4 CONTROL BOARD (ON OR AFTER 7/20/10)
14	M0275166	2	TAPE-ALUM SL
15	003801-000	4	SHOULDER SCREW, NO.10
16	002905-000	1	SIDE PANEL, RH, SST
17	006781-000	1	OVEN LEDGE, BACK
18	003330-000	2	ACCESS GRILL PANEL, LOWER
19	006601-000	1	KICKPLATE - SS
19	038526-002	1	KICKPLATE, VDSC 60 BK
19	038526-003	1	KICKPLATE, VDSC 60 BT
19	038526-004	1	KICKPLATE, VDSC 60 SG
19	038526-005	1	KICKPLATE, VDSC 60 GG
19	038526-006	1	KICKPLATE, VDSC 60 WH
19	038526-008	1	KICKPLATE, VDSC 60 BU
19	038526-009	1	KICKPLATE, VDSC 60 LE
19	038526-010	1	KICKPLATE, VDSC 60 MJ
19	038526-012	1	KICKPLATE, VDSC 60 VB
19	038526-013	1	KICKPLATE, VDSC 60 CB
19	038526-015	1	KICKPLATE, VDSC 60 PL
19	038526-016	1	KICKPLATE, VDSC 60 CH
19	038526-017	1	KICKPLATE, VDSC 60 TP
19	038526-018	1	KICKPLATE, VDSC 60 CW
19	038526-021	1	KICKPLATE, VDSC 60 SA
19	038526-022	1	KICKPLATE, VDSC 60 SE
19	038526-023	1	KICKPLATE, VDSC 60 IB
19	038526-024	1	KICKPLATE, VDSC 60 AR
19	038526-025	1	KICKPLATE, VDSC 60 RR
19	038526-051	1	KICKPLATE, VDSC 60 CN
19	038526-020	1	KICKPLATE, VDSC 60 GM
19	038526-053	1	KICKPLATE, VDSC 60 KB
19	038526-026	1	KICKPLATE, VDSC 60 PM
19	038526-019	1	KICKPLATE, VDSC 60 OG
20	006410-000	1	BASE TOP PLATE
21	003054-000	2	BASE CENTER CUTOUT STIFFENER
22	006411-000	1	SUPPORT BASE, VDSC560
23	003053-000	2	BASE LEG SUPPORT CHANNEL
24	PC030007	6	LEG PLATE - 3/4 THREADED HOLE
25	006409-000	1	BASE LOWER PLATE
26	PC030031	6	ADJUSTABLE LEG
27	006412-000	2	SUPPORT BASE, FR VDSC560
NI	PD020032	8	SRW-8(A)X3/8PH.WFR HD 7/16DIAXNICL

Ref #	Part Number	Qty.	Description
NI	PD020032	8	SRW-8(A)X3/8PH.WFR HD 7/16DIAXNICL
NI	024909-000	1	SHIELD, WRG



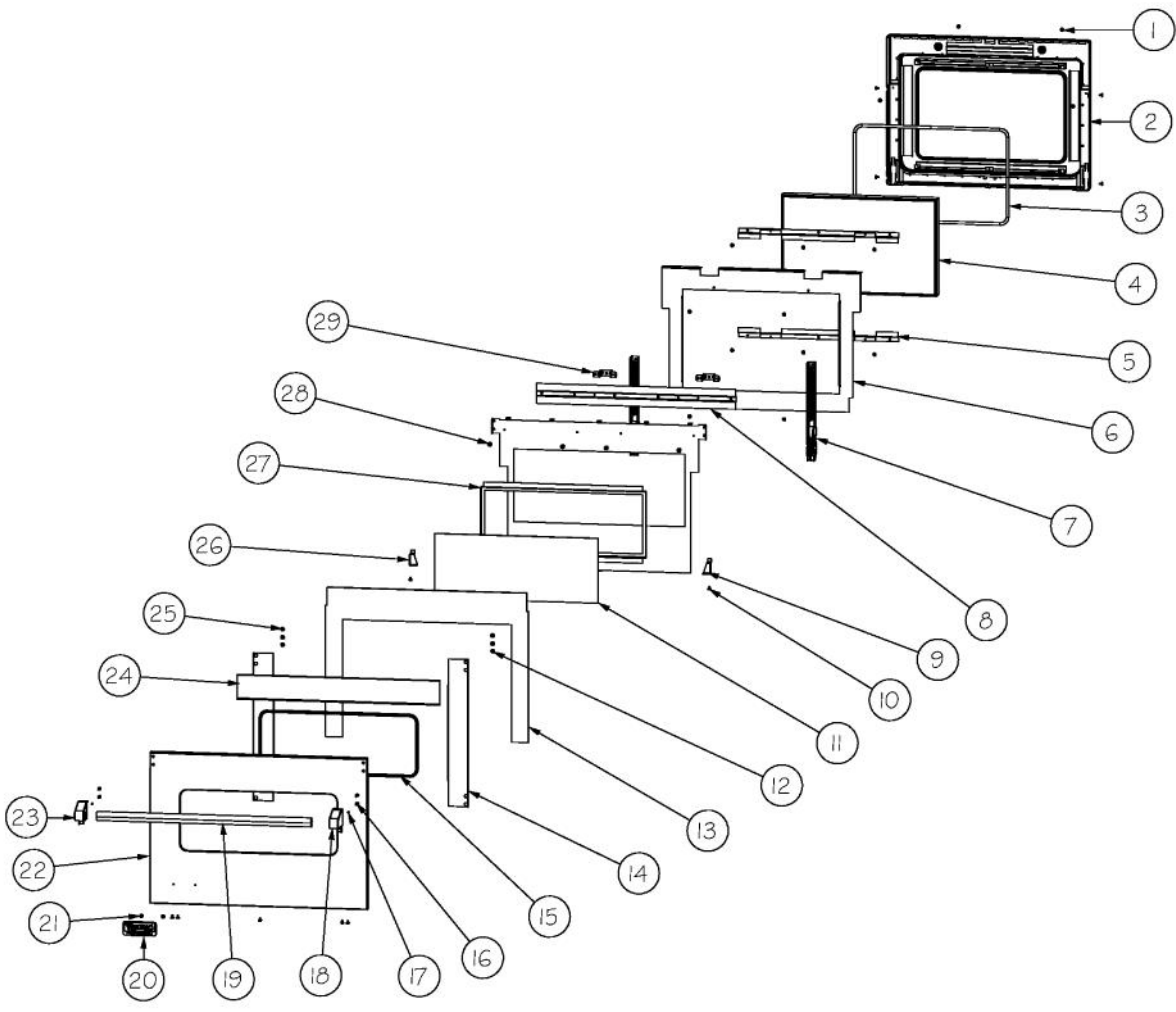
Ref #	Part Number	Qty.	Description
1	A20010101	2	FLUE, OUTSIDE SHELL
2	003860-000	61	NO.10-18 X .500 FASTNR,SCR,HXWH,STL,ZPLT
3	014589-000	1	ISLAND TRIM, ASM CUSTOM RANGE 60
4	A20010102	2	FLUE, CENTER EXTENDED
5	003681-000	2	DUCT, AIR
6	003272-000	2	COVER, REAR
7	A2002454	2	BACK COVER ACCESS DOOR
8	PD030109	4	INSULATED CLAMP
9	003245-000	2	CHANNEL, WIRE, REAR
10	016043-000	1	PLATE, BACK, CTR,VDSC60
11	PD040005	2	SNAP BUSHING - 7/8



Ref #	Part Number	Qty.	Description
1	PD020063	17	SCREW-NO.8(A) X 3/8PH WFR HD/BK OXID
2	002546-000	1	DOOR LINER WELDED ASSY
3	000594-000	1	BLACK FIBERGLASS ROPE 3/8
4	PE060094	1	30 WINDOW PACK
5	004153-000	2	DOOR GLASS HOLDER BRACKET
6	004152-000	1	DOOR LINER INSULATION RETAINER, 30
7	002740-000	2	MANSFIELD HINGE, BLUE SPRING
8	002732-000	1	DOOR SKIN MOUNTING BRACKET ASSY
9	A20012640	1	HINGE SUPPORT RH
10	PD020032	7	SRW-8(A)X3/8PH.WFR HD 7/16DIAXNICL
11	PE060090	1	30 PROF. OUTER DOOR GLASS
12	PD020073	2	SRW NO. 10 X 24 X 3/8 WAFER HD TYPE23
13	006787-000	2	INSULATION,DOOR,SIDE,SUPERWOOL,.25,VDSC530
13	006788-000	1	INSULATION,DOOR,TOP,SUPERWOOL,.25,VDSC530
14	002726-000	2	DOOR SKIN SIDE BRACKET
15	PE060105	1	30 J-MOLD (CHROME) NOT FIELD REPLACEABLE
16	002736-000	3	NO.10-32 PAN HEAD PHILLIPS MACHINE SCREW
17	003650-000	2	SET SCREW
18	002580-000	1	ENDCAP, HDL, RH
18	003012-100	1	DOOR HANDLE ENDCAP ASSY, RH (BRASS)
19	002728-000	1	DOOR HANDLE - SS, 1.25 OD
20	006803-000	1	DOOR SKIN, 30 W/O LOGO SS
21	002579-000	1	ENDCAP, HDL, LH
21	003011-100	1	DOOR HANDLE ENDCAP ASSY, LH (BRASS)
22	002724-000	1	DOOR SKIN HEAT SINK, 30
23	004907-000	4	STEEL FINISHING PLUG, NICKEL PLTD 25/64 HOLE
24	A20012641	1	HINGE SUPPORT LH
25	L20014077	1	30 WINDOW HOLDER NOT FIELD REPLACEABLE
26	PD020033	4	SRW-NO.10-24X1/2T(23)PH.WFR HD (NKL)
27	A21014003	2	DOOR LINER MTG. BRKT.
NI	006805-000	1	DOOR ASM, 30, SS, NO LOGO
NI	013355-002	1	DOOR ASM, 30, NO LOGO, BK
NI	013355-003	1	DOOR ASM, 30, NO LOGO, BT
NI	013355-004	1	DOOR ASM, 30, SG, NO LOGO
NI	013355-005	1	DOOR ASM, 30, NO LOGO, GG
NI	013355-006	1	DOOR ASM, 30, WH, NO LOGO
NI	013355-008	1	DOOR ASM, 30, NO LOGO, BU
NI	013355-009	1	DOOR ASM, 30, NO LOGO, LE
NI	013355-010	1	DOOR ASM, 30, NO LOGO, MJ
NI	013355-012	1	DOOR ASM, 30, VB, NO LOGO
NI	013355-013	1	DOOR ASM, 30, NO LOGO, CB
NI	013355-015	1	DOOR ASM, 30, PL, NO LOGO
NI	013355-016	1	DOOR ASM, 30, NO LOGO, CH
NI	013355-017	1	DOOR ASM, 30, TP, NO LOGO
NI	013355-018	1	DOOR ASM, 30, NO LOGO, CW
NI	013355-019	1	DOOR ASM, 30, OG, NO LOGO
NI	013355-020	1	DOOR ASM, 30, NO LOGO, GM
NI	013355-021	1	DOOR ASM, 30, SA, NO LOGO
NI	013355-022	1	DOOR ASM, 30, SE, NO LOGO
NI	013355-023	1	DOOR ASM, 30, NO LOGO, IB
NI	013355-024	1	DOOR ASM, 30, NO LOGO, AR
NI	013355-025	1	DOOR ASM, 30, RR, NO LOGO
NI	013355-026	1	DOOR ASM, 30, PM, NO LOGO
NI	013355-027	1	DOOR ASM, 30, NO LOGO, MS
NI	006805-100	1	DOOR ASM, 30, SS/BR, NO LOGO
NI	013355-102	1	DOOR ASM, 30, NO LOGO, BK/BR
NI	013355-103	1	DOOR ASM, 30, NO LOGO, BT/BR
NI	013355-104	1	DOOR ASM, 30, NO LOGO, SG/BR
NI	013355-105	1	DOOR ASM, 30, NO LOGO, GG/BR
NI	013355-106	1	DOOR ASM, 30, NO LOGO, WH/BR

Ref #	Part Number	Qty.	Description
NI	013355-106	1	DOOR ASM, 30, NO LOGO, WH/BR
NI	013355-108	1	DOOR ASM, 30, NO LOGO, BU/BR
NI	013355-109	1	DOOR ASM, 30, NO LOGO, LE/BR
NI	013355-110	1	DOOR ASM, 30, NO LOGO, MJ/BR
NI	013355-112	1	DOOR ASM, 30, NO LOGO, VB/BR
NI	013355-113	1	DOOR ASM, 30, NO LOGO, CB/BR
NI	013355-115	1	DOOR ASM, 30, NO LOGO, PL/BR
NI	013355-116	1	DOOR ASM, 30, NO LOGO, CH/BR
NI	013355-117	1	DOOR ASM, 30, NO LOGO, TP/BR
NI	013355-118	1	DOOR ASM, 30, NO LOGO, CW/BR
NI	013355-119	1	DOOR ASM, 30, NO LOGO, OG/BR
NI	013355-120	1	DOOR ASM, 30, NO LOGO, GM/BR
NI	013355-121	1	DOOR ASM, 30, NO LOGO, SA/BR
NI	013355-122	1	DOOR ASM, 30, NO LOGO, SE/BR
NI	013355-123	1	DOOR ASM, 30, NO LOGO, IB/BR
NI	013355-124	1	DOOR ASM, 30, NO LOGO, AR/BR
NI	013355-125	1	DOOR ASM, 30, NO LOGO, RR/BR
NI	013355-126	1	DOOR ASM, 30, NO LOGO, PM/BR
NI	013355-127	1	DOOR ASM, 30, NO LOGO, MS/BR
NI	006804-000	1	DOOR SKIN ASM, 30, NO LOGO, SS
NI	013356-002	1	DOOR SKIN ASM, 30, NO LOGO, BK
NI	013356-003	1	DOOR SKIN ASM, 30, NO LOGO, BT
NI	013356-004	1	DOOR SKIN ASM, 30, NO LOGO, SG
NI	013356-005	1	DOOR SKIN ASM, 30, NO LOGO, GG
NI	013356-006	1	DOOR SKIN ASM, 30, NO LOGO, WH
NI	013356-008	1	DOOR SKIN ASM, 30, NO LOGO, BU
NI	013356-009	1	DOOR SKIN ASM, 30, NO LOGO, LE
NI	013356-010	1	DOOR SKIN ASM, 30, NO LOGO, MJ
NI	013356-012	1	DOOR SKIN ASM, 30, NO LOGO, VB
NI	013356-013	1	DOOR SKIN ASM, 30, NO LOGO, CB
NI	013356-015	1	DOOR SKIN ASM, 30, NO LOGO, PL
NI	013356-016	1	DOOR SKIN ASM, 30, NO LOGO, CH
NI	013356-017	1	DOOR SKIN ASM, 30, NO LOGO, TP
NI	013356-018	1	DOOR SKIN ASM, 30, NO LOGO, CW
NI	013356-019	1	DOOR SKIN ASM, 30, NO LOGO, OG
NI	013356-020	1	DOOR SKIN ASM, 30, NO LOGO, GM
NI	013356-021	1	DOOR SKIN ASM, 30, NO LOGO, SA
NI	013356-022	1	DOOR SKIN ASM, 30, NO LOGO, SE
NI	013356-023	1	DOOR SKIN ASM, 30, NO LOGO, IB
NI	013356-024	1	DOOR SKIN ASM, 30, NO LOGO, AR
NI	013356-025	1	DOOR SKIN ASM, 30, NO LOGO, RR
NI	013356-026	1	DOOR SKIN ASM, 30, NO LOGO, PM
NI	013356-027	1	DOOR SKIN ASM, 30, NO LOGO, MS
NI	006804-100	1	DOOR SKIN ASM, 30, SS/BR, NO LOGO
NI	013356-102	1	DOOR SKIN ASM, 30, NO LOGO, BK/BR
NI	013356-103	1	DOOR SKIN ASM, 30, NO LOGO, BT/BR
NI	013356-104	1	DOOR SKIN ASM, 30, NO LOGO, SG/BR
NI	013356-105	1	DOOR SKIN ASM, 30, NO LOGO, GG/BR
NI	013356-106	1	DOOR SKIN ASM, 30, NO LOGO, WH/BR
NI	013356-108	1	DOOR SKIN ASM, 30, NO LOGO, BU/BR
NI	013356-109	1	DOOR SKIN ASM, 30, NO LOGO, LE/BR
NI	013356-110	1	DOOR SKIN ASM, 30, NO LOGO, MJ/BR
NI	013356-112	1	DOOR SKIN ASM, 30, NO LOGO, VB/BR
NI	013356-113	1	DOOR SKIN ASM, 30, NO LOGO, CB/BR
NI	013356-115	1	DOOR SKIN ASM, 30, NO LOGO, PL/BR
NI	013356-116	1	DOOR SKIN ASM, 30, NO LOGO, CH/BR
NI	013356-117	1	DOOR SKIN ASM, 30, NO LOGO, TP/BR
NI	013356-118	1	DOOR SKIN ASM, 30, NO LOGO, CW/BR
NI	013356-119	1	DOOR SKIN ASM, 30, NO LOGO, OG/BR
NI	013356-120	1	DOOR SKIN ASM, 30, NO LOGO, GM/BR

Ref #	Part Number	Qty.	Description
NI	013356-120	1	DOOR SKIN ASM, 30, NO LOGO, GM/BR
NI	013356-121	1	DOOR SKIN ASM, 30, NO LOGO, SA/BR
NI	013356-122	1	DOOR SKIN ASM, 30, NO LOGO, SE/BR
NI	013356-123	1	DOOR SKIN ASM, 30, NO LOGO, IB/BR
NI	013356-124	1	DOOR SKIN ASM, 30, NO LOGO, AR/BR
NI	013356-125	1	DOOR SKIN ASM, 30, NO LOGO, RR/BR
NI	013356-126	1	DOOR SKIN ASM, 30, NO LOGO, PM/BR
NI	013356-127	1	DOOR SKIN ASM, 30, NO LOGO, MS/BR



Ref #	Part Number	Qty.	Description
1	PD020063	17	SCREW-NO.8(A) X 3/8PH WFR HD/BK OXID
2	002546-000	1	DOOR LINER WELDED ASSY
3	000594-000	1	BLACK FIBERGLASS ROPE 3/8
4	PE060094	1	30 WINDOW PACK
5	004153-000	2	DOOR GLASS HOLDER BRACKET
6	004152-000	1	DOOR LINER INSULATION RETAINER, 30
7	002740-000	2	MANSFIELD HINGE, BLUE SPRING
8	002732-000	1	DOOR SKIN MOUNTING BRACKET ASSY
9	A20012640	1	HINGE SUPPORT RH
10	PD020032	7	SRW-8(A)X3/8PH.WFR HD 7/16DIAXNICL
11	PE060090	1	30 PROF. OUTER DOOR GLASS
12	PD020073	2	SRW NO. 10 X 24 X 3/8 WAFER HD TYPE23
13	006787-000	2	INSULATION,DOOR,SIDE,SUPERWOOL,,25,VDSC530
13	006788-000	1	INSULATION,DOOR,TOP,SUPERWOOL,,25,VDSC530
14	002726-000	2	DOOR SKIN SIDE BRACKET
15	PE060105	1	30 J-MOLD (CHROME) NOT FIELD REPLACEABLE
16	002736-000	3	NO.10-32 PAN HEAD PHILLIPS MACHINE SCREW
17	003650-000	2	SET SCREW
18	002580-000	1	ENDCAP, HDL, RH
18	003012-100	1	DOOR HANDLE ENDCAP ASSY, RH (BRASS)
19	002728-000	1	DOOR HANDLE - SS, 1.25 OD
20	PE010030	1	LOGO, 6, PRO, BK
20	PE010068	1	LOGO, 6, PRO, BK/BR
21	PD030006	2	CAPPED WASHER PAL NUT
22	002722-000	1	DOOR SKIN, 30 STAINLESS - NOT FIELD REPLACEABLE
23	002579-000	1	ENDCAP, HDL, LH
53	003011-100	1	DOOR HANDLE ENDCAP ASSY, LH (BRASS)
24	002724-000	1	DOOR SKIN HEAT SINK, 30
25	004907-000	4	STEEL FINISHING PLUG, NICKEL PLTD 25/64 HOLE
26	A20012641	1	HINGE SUPPORT LH
27	L20014077	1	30 WINDOW HOLDER NOT FIELD REPLACEABLE
28	PD020033	4	SRW-NO.10-24X1/2T(23)PH.WFR HD (NKL)
29	A21014003	2	DOOR LINER MTG. BRKT.
NI	023100-000	1	DOOR ASM, 30, SS, W/ LOGO
NI	023103-002	1	DOOR ASM, 30, BK, W/ LOGO
NI	023103-003	1	DOOR ASM, 30, BT, W/ LOGO
NI	023103-004	1	DOOR ASM, 30, SG, W/ LOGO
NI	023103-005	1	DOOR ASM, 30, GG, W/ LOGO
NI	023103-006	1	DOOR ASM, 30, WH, W/ LOGO
NI	023103-008	1	DOOR ASM, 30, BU, W/ LOGO
NI	023103-009	1	DOOR ASM, 30, LE, W/ LOGO
NI	023103-010	1	DOOR ASM, 30, MU, W/ LOGO
NI	023103-012	1	DOOR ASM, 30, VB, W/ LOGO
NI	023103-013	1	DOOR ASM, 30, CB, W/ LOGO
NI	023103-015	1	DOOR ASM, 30, PL, W/ LOGO
NI	023103-016	1	DOOR ASM, 30, CH, W/ LOGO
NI	023103-017	1	DOOR ASM, 30, TP, W/ LOGO
NI	023103-018	1	DOOR ASM, 30, CW, W/ LOGO
NI	023103-019	1	DOOR ASM, 30, OG, W/ LOGO
NI	023103-020	1	DOOR ASM, 30, GM, W/ LOGO
NI	023103-021	1	DOOR ASM, 30, SA, W/ LOGO
NI	023103-022	1	DOOR ASM, 30, SE, W/ LOGO
NI	023103-023	1	DOOR ASM, 30, IB, W/ LOGO
NI	023103-024	1	DOOR ASM, 30, AR, W/ LOGO
NI	023103-025	1	DOOR ASM, 30, RR, W/ LOGO
NI	023103-026	1	DOOR ASM, 30, PM, W/ LOGO
NI	023103-027	1	DOOR ASM, 30, MS, W/ LOGO
NI	023100-100	1	DOOR ASM, 30, SS/BR, W/ LOGO
NI	023103-102	1	DOOR ASM, 30, BK/BR, W/ LOGO
NI	023103-103	1	DOOR ASM, 30, BT/BR, W/ LOGO

Ref #	Part Number	Qty.	Description
NI	023103-103	1	DOOR ASM, 30, BT/BR, W/ LOGO
NI	023103-104	1	DOOR ASM, 30, SG/BR, W/ LOGO
NI	023103-105	1	DOOR ASM, 30, GG/BR, W/ LOGO
NI	023103-106	1	DOOR ASM, 30, WH/BR, W/ LOGO
NI	023103-108	1	DOOR ASM, 30, BU/BR, W/ LOGO
NI	023103-109	1	DOOR ASM, 30, LE/BR, W/ LOGO
NI	023103-110	1	DOOR ASM, 30, MU/BR, W/ LOGO
NI	023103-112	1	DOOR ASM, 30, VB/BR, W/ LOGO
NI	023103-113	1	DOOR ASM, 30, CB/BR, W/ LOGO
NI	023103-115	1	DOOR ASM, 30, PL/BR, W/ LOGO
NI	023103-116	1	DOOR ASM, 30, CH/BR, W/ LOGO
NI	023103-117	1	DOOR ASM, 30, TP/BR, W/ LOGO
NI	023103-118	1	DOOR ASM, 30, CW/BR, W/ LOGO
NI	023103-119	1	DOOR ASM, 30, OG/BR, W/ LOGO
NI	023103-120	1	DOOR ASM, 30, GM/BR, W/ LOGO
NI	023103-121	1	DOOR ASM, 30, SA/BR, W/ LOGO
NI	023103-122	1	DOOR ASM, 30, SE/BR, W/ LOGO
NI	023103-123	1	DOOR ASM, 30, IB/BR, W/ LOGO
NI	023103-124	1	DOOR ASM, 30, AR/BR, W/ LOGO
NI	023103-125	1	DOOR ASM, 30, RR/BR, W/ LOGO
NI	023103-126	1	DOOR ASM, 30, PM/BR, W/ LOGO
NI	023103-127	1	DOOR ASM, 30, MS/BR, W/ LOGO
NI	023099-000	1	DOOR SKIN ASM, 30, SS, W/ LOGO
NI	023102-002	1	DOOR SKIN ASM, 30, BK, W/ LOGO
NI	023102-003	1	DOOR SKIN ASM, 30, BT, W/ LOGO
NI	023102-004	1	DOOR SKIN ASM, 30, SG, W/ LOGO
NI	023102-005	1	DOOR SKIN ASM, 30, GG, W/ LOGO
NI	023102-006	1	DOOR SKIN ASM, 30, WH, W/ LOGO
NI	023102-008	1	DOOR SKIN ASM, 30, BU, W/ LOGO
NI	023102-009	1	DOOR SKIN ASM, 30, LE, W/ LOGO
NI	023102-010	1	DOOR SKIN ASM, 30, MU, W/ LOGO
NI	023102-012	1	DOOR SKIN ASM, 30, VB, W/ LOGO
NI	023102-013	1	DOOR SKIN ASM, 30, CB, W/ LOGO
NI	023102-015	1	DOOR SKIN ASM, 30, PL, W/ LOGO
NI	023102-016	1	DOOR SKIN ASM, 30, CH, W/ LOGO
NI	023102-017	1	DOOR SKIN ASM, 30, TP, W/ LOGO
NI	023102-018	1	DOOR SKIN ASM, 30, CW, W/ LOGO
NI	023102-019	1	DOOR SKIN ASM, 30, OG, W/ LOGO
NI	023102-020	1	DOOR SKIN ASM, 30, GM, W/ LOGO
NI	023102-021	1	DOOR SKIN ASM, 30, SA, W/ LOGO
NI	023102-022	1	DOOR SKIN ASM, 30, SE, W/ LOGO
NI	023102-023	1	DOOR SKIN ASM, 30, IB, W/ LOGO
NI	023102-024	1	DOOR SKIN ASM, 30, AR, W/ LOGO
NI	023102-025	1	DOOR SKIN ASM, 30, RR, W/ LOGO
NI	023102-026	1	DOOR SKIN ASM, 30, PM, W/ LOGO
NI	023102-027	1	DOOR SKIN ASM, 30, MS, W/ LOGO
NI	023099-100	1	DOOR SKIN ASM, 30, SS/BR, W/ LOGO
NI	023102-102	1	DOOR SKIN ASM, 30, BK/BR, W/ LOGO
NI	023102-103	1	DOOR SKIN ASSY, 30, BT/BR, W/ LOGO
NI	023102-104	1	DOOR SKIN ASSY, 30, SG/BR, W/ LOGO
NI	023102-105	1	DOOR SKIN ASSY, 30, GG/BR, W/ LOGO
NI	023102-106	1	DOOR SKIN ASSY, 30, WH/BR, W/ LOGO
NI	023102-108	1	DOOR SKIN ASSY, 30, BU/BR, W/ LOGO
NI	023102-109	1	DOOR SKIN ASSY, 30, LE/BR, W/ LOGO
NI	023102-110	1	DOOR SKIN ASSY, 30, MU/BR, W/ LOGO
NI	023102-112	1	DOOR SKIN ASSY, 30, VB/BR, W/ LOGO
NI	023102-113	1	DOOR SKIN ASSY, 30, CB/BR, W/ LOGO
NI	023102-115	1	DOOR SKIN ASSY, 30, PL/BR, W/ LOGO
NI	023102-116	1	DOOR SKIN ASSY, 30, CH/BR, W/ LOGO
NI	023102-117	1	DOOR SKIN ASSY, 30, TP/BR, W/ LOGO

Ref #	Part Number	Qty.	Description
NI	023102-117	1	DOOR SKIN ASSY, 30, TP/BR, W/ LOGO
NI	023102-118	1	DOOR SKIN ASSY, 30, CW/BR, W/ LOGO
NI	023102-119	1	DOOR SKIN ASSY, 30, OG/BR, W/ LOGO
NI	023102-120	1	DOOR SKIN ASSY, 30, GM/BR, W/ LOGO
NI	023102-121	1	DOOR SKIN ASSY, 30, SA/BR, W/ LOGO
NI	023102-122	1	DOOR SKIN ASSY, 30, SE/BR, W/ LOGO
NI	023102-123	1	DOOR SKIN ASSY, 30, IB/BR, W/ LOGO
NI	023102-124	1	DOOR SKIN ASSY, 30, AR/BR, W/ LOGO
NI	023102-125	1	DOOR SKIN ASSY, 30, RR/BR, W/ LOGO
NI	023102-126	1	DOOR SKIN ASSY, 30, PM/BR, W/ LOGO
NI	023102-127	1	DOOR SKIN ASSY, 30, MS/BR, W/ LOGO

*No Image
Available*

Ref #	Part Number	Qty.	Description
NI	012828-000	1	HARNESS, GROUND, DSI, VDSC536-4G
NI	PE070739	1	BAKE ELEMENT HARNESS
NI	027583-000	1	WIRE HARNESS, GRIDDLE, 24 DF
NI	011729-000	1	EOC COMM. HARNESS
NI	020019-000	2	HARNESS, WRG, CONTROL
NI	024869-000	1	RIBBON CABLE, RH
NI	PE070892	1	IRIS HARNESS - 60
NI	000647-000	2	IRIS IGNITOR WIRE, FRONT BURNER
NI	006766-000	5	IRIS IGNITOR WIRE, BACK BURNER
NI	009475-000	2	GRIDDLE RTD HARNESS
NI	013295-000	1	HARNESS, LIGHT SWITCH, VDSC548
NI	024871-000	1	MAIN HARNESS
NI	004295-000	1	HARNESS,POWER,IRIS,45 LONG
NI	013408-000	2	GRIDDLE HEADER
NI	030292-000	1	RTD JUMPER
NI	015466-000	1	HARNESS, PWR, ASM, JUMPER
NI	024909-000	1	SHIELD, WRG