

This Owner's Manual is provided and hosted by [Appliance Factory Parts](#).



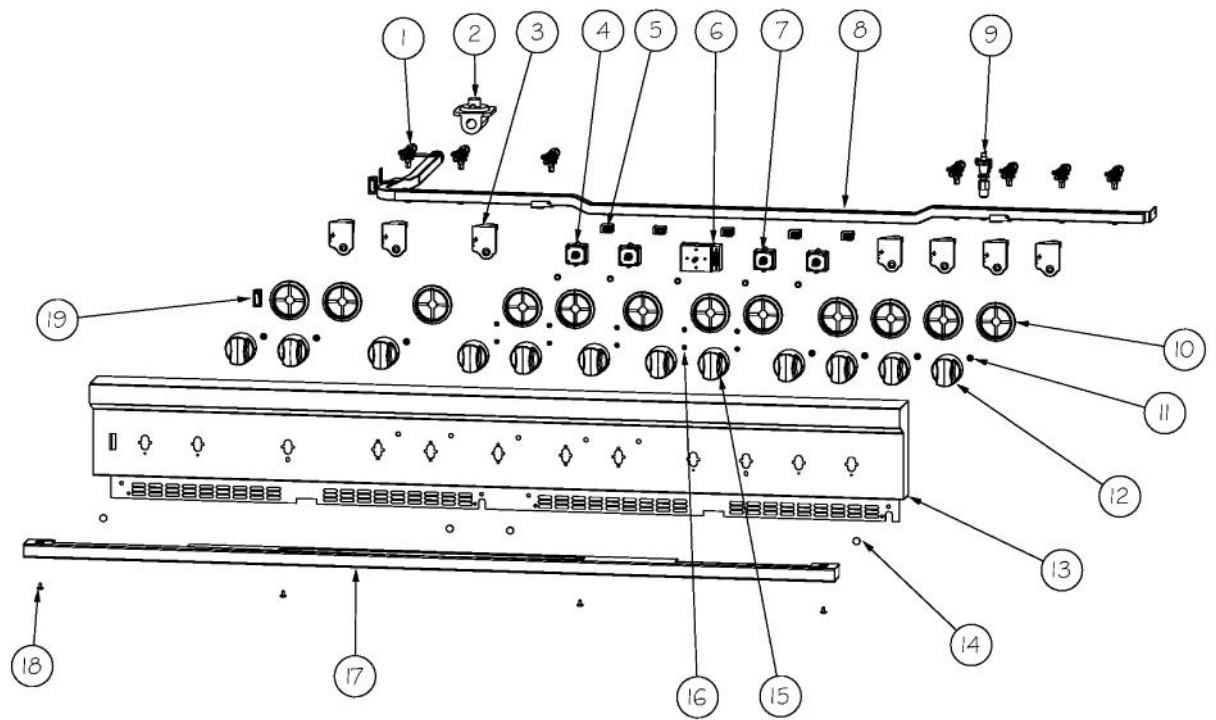
# VIKING VDSC560-6GQ Owner's Manual

[Shop genuine replacement parts for VIKING  
VDSC560-6GQ](#)

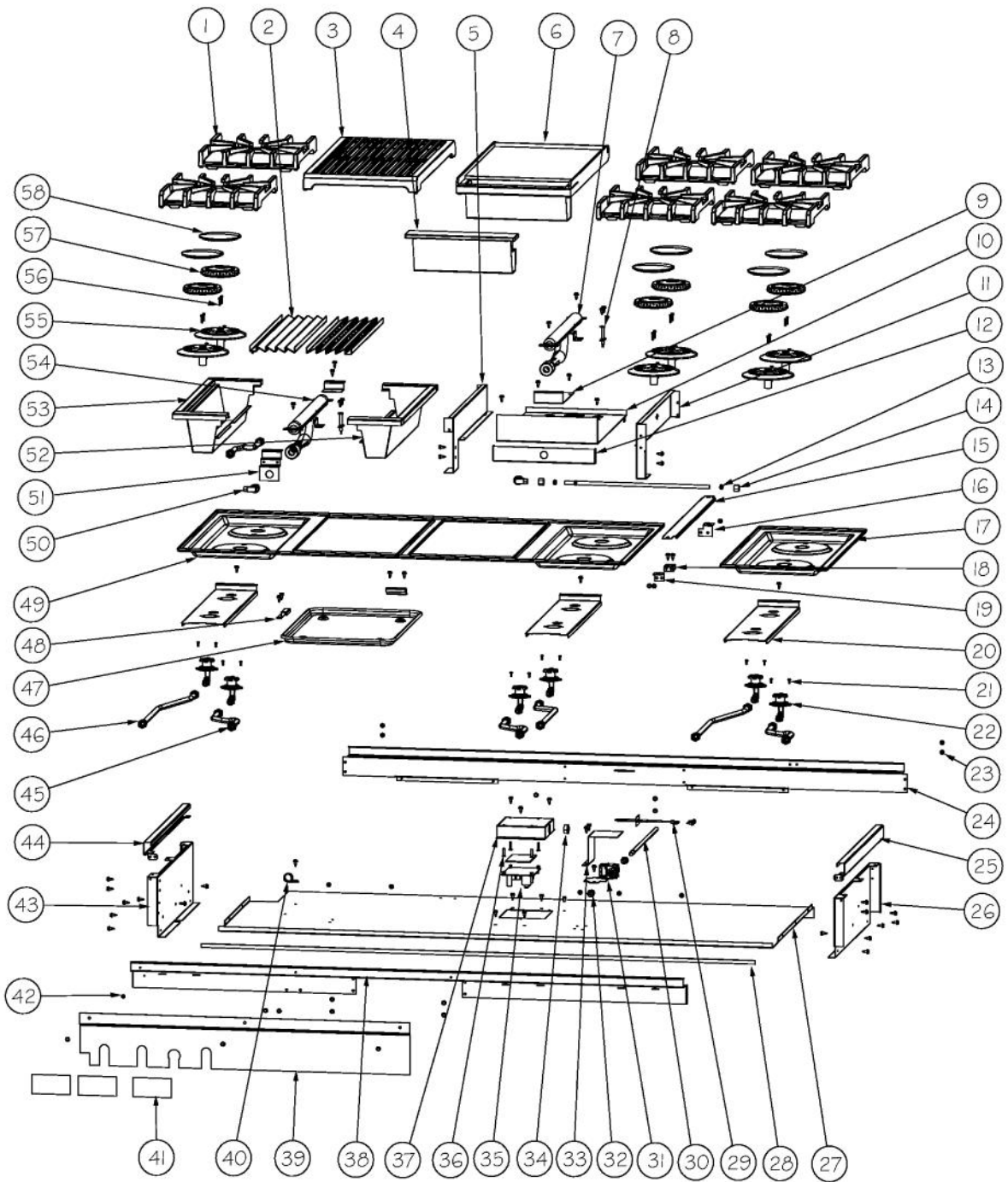


[Find Your VIKING Range Hoods Parts - Select From 411 Models](#)

----- Manual continues below -----

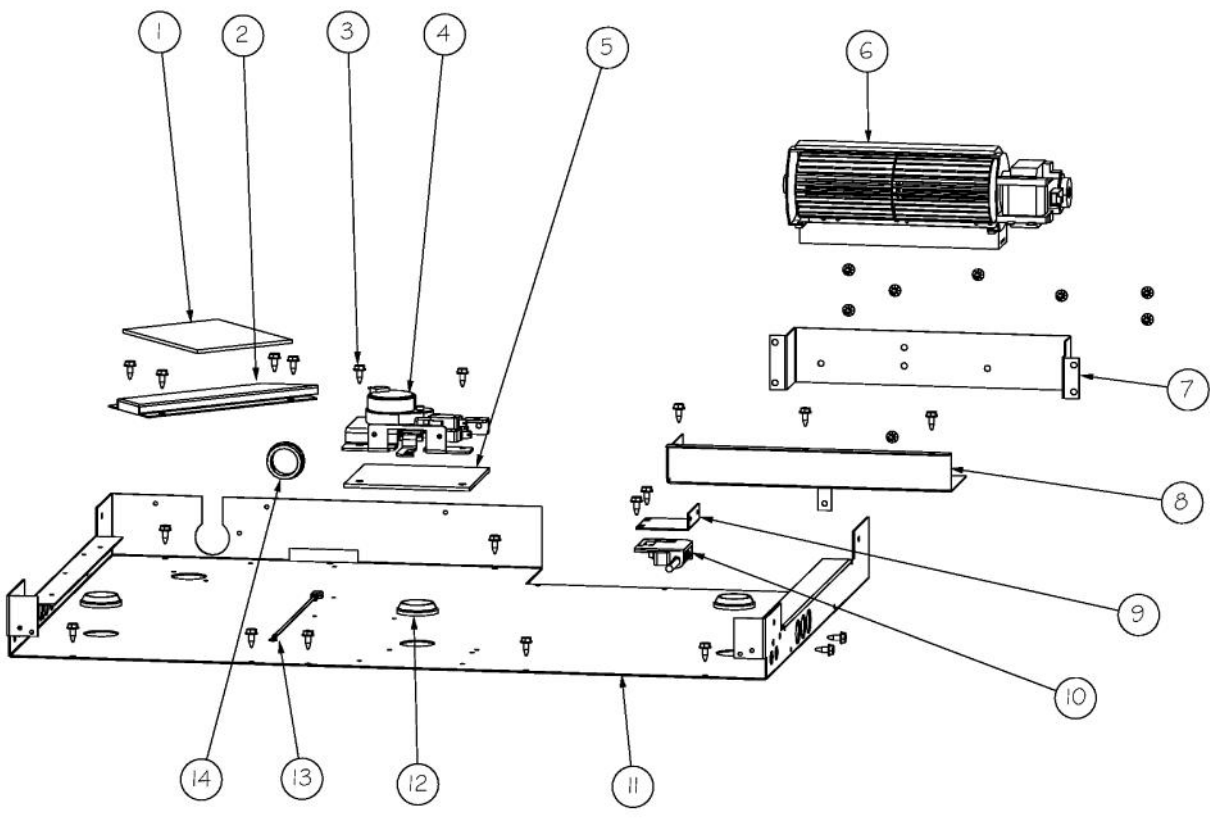


Ref #	Part Number	Qty.	Description
1	006015-000	7	VALVE, BRS, SEALED TOP - ISPHORDING
2	PA070003	1	PRESSURE REGULATOR (NAT.)
3	PA020058	7	IRIS SINGLE SPARK MODULE
4	PJ030033	4	SELECTOR (10 POS)
5	PE050072	5	LENS OPENING (250 VOLT)
6	012235-000	1	ELECTRONIC THERMOSTAT - 2 POS. W/O LEADS
7	PE050023	5	OVEN IND. LIGHT (LENS & BEZEL)
7	015043-000	5	INDICATOR, LIGHT, BLUE LED AFTER 7/13/11
8	006602-000	1	MANIFOLD, GAS, VDSC5606GQ
9	PB030007	1	SHUT OFF VALVE
10	PB010304	12	KNOB BEZEL
11	PD020046	7	NO.8 X 1/2 SCREWS
12	006574-000	7	KNOB, GRL, ASM, PVD, NO.3, SSS
13	006595-000	1	PANEL, CTRL, ASM, VDSC5606GQ
14	PD040004	4	GROMMET BUMPER
15	005270-000	5	RANGE THERMOSTAT KNOB-BRUSHED, SSS
16	PD020062	10	NO.8-32 X 3/8 PHMS TYPE 1
17	014321-000	1	TRIM, ASM, CUSTOM 60
18	PD020032	4	SRW-8(A)X3/8PH.WFR HD 7/16DIAXNICL
19	003724-000	1	SWITCH, LIGHT, WHITE, VDSC

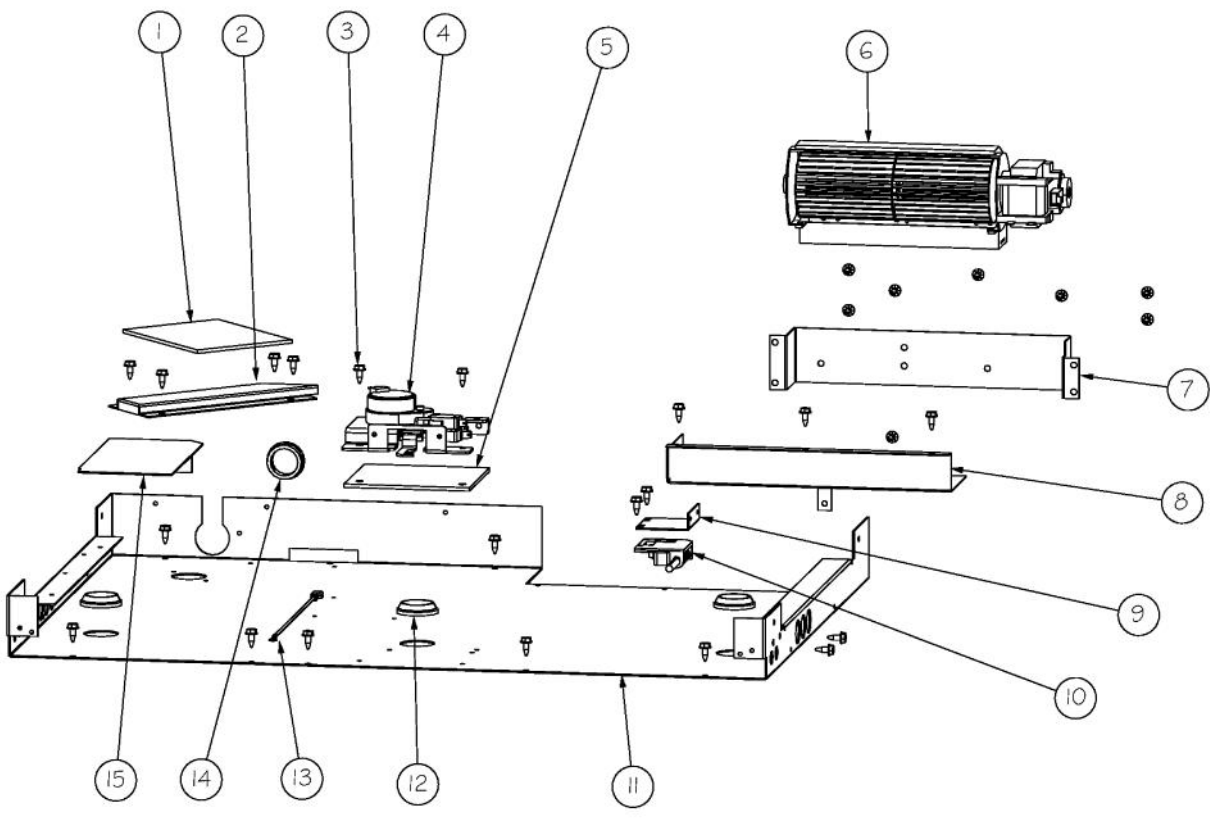


Ref #	Part Number	Qty.	Description
1	007323-000	6	BURNER GRATE
2	E9101130BK	2	GRILL SMOKE GENERATOR
3	010168-000	1	CUSTOM RANGE GRILL GRATE
4	012167-000	1	TROUGH, ASM
5	016293-000	1	GRIDDLE SUPPORT, LEFT
6	012291-000	1	GRIDDLE ASM, CUSTOM RANGES
7	013888-000	1	GRIDDLE, BURNER, ASM, NAT, W/IGNITOR BRACKET
8	PA020028	2	SPARK IGNITER
9	006785-000	1	GRIDDLE, BOX, VENTURI, COVER
10	016292-000	1	BURNER BOX BOTTOM, GRILL
11	016295-000	1	SIDE, GRILL BOX, RH
12	006783-000	1	GRIDDLE BRKT, ORIFICE, CUSTOM RANGES
13	PB040192	2	3/8" CC FERREL (DGCU)
14	PB040213	2	3/8 COMPRESSION NUT (DGCU)
15	017108-000	1	BRIDGE, CKTP
16	017120-000	1	BRACKET, BRDG, REAR
17	E91015333BK	1	SEALED BURNER TOP - 12 XBKX
18	014537-000	1	BRACKET, BRIDGE
19	017111-000	1	BRACKET, BRDG, FR
20	002923-000	3	BURNER MODULE SUPPORT
21	PD020076	12	6-32 X 3/8 PHILL PAN MS
22	001394-041	6	18500 BTU NAT JETHOLDER
NI	001394-042	6	15000 BTU NAT JETHOLDER
23	003860-000	79	NO.10-18 X .500 FASTNR,SCR,HXWH,STL,ZPLT
24	006762-000	1	SUPPORT, BURNER BOX, REAR
25	002920-000	1	SIDE TRIM, RH - STAINLESS
26	002755-000	1	BURNER BOX SIDE, RH
27	006415-000	1	BURNER BOX, BOT, VDSC560
28	PB070058	1	COOKTOP GASKET-(VGSU101)
29	PE050206	1	RTD THERMOSTAT PROBE
30	PB020126	2	3/8" S.S. FLEX TUBING 15" (DGCU)
31	009111-000	1	VALVE, SOL, SINGLE
32	PB040050	1	3/8CC MALE COMP. FITTING W/FERRULE
33	009402-000	1	SOLENOID HEAT SHIELD COVER
34	PD040005	1	SNAP BUSHING - 7/8
35	PA020056	1	TYTRONICS DSI MODULE (BEFORE 01/11/11)
35	023651-000		DSI120 LONG PURGE (ON OR AFTER 01/11/11)
36	PD020043	1	NO.6-32 X .750 PH. CTRSK T(F)-VGSO166
37	014564-000	1	DSI BOARD COVER
38	006759-000	1	SUPPORT, BURNER BOX, FRONT
39	015391-000	1	HEAT SHIELD
40	PD030109	1	INSULATED CLAMP
41	PB070191	4	INSULATION PAD
42	PD020010	1	10 X 3/8 GREEN GROUNDING SCREW
43	003481-000	1	BURNER BOX SIDE, LH
44	003649-000	1	SIDE TRIM, LH - STAINLESS
45	PB020192	4	10 FLEX TUBING W/CONNECTORS
46	PB020193	3	16 FLEX TUBING W/CONNECTORS
47	PB080061	1	GREASE PAN
48	008286-000	2	BRACKET,DRIP,PAN,CUSTOM,Q-MODELS
49	E9109803BK	1	48 SEALED COOKTOP 4BGQ XBKX
50	PB040238	2	90 DEGREE ORIFICE FITTING, NAT NO.47
51	007776-000	1	MOUNT, GRILL, BURNER, FRONT
52	013593-000	1	PAN, DRIP, ASM, RIGHT
53	013595-000	1	PAN, DRIP, ASM, LEFT
54	007878-000	1	BURNER, GRIL, ASM
55	003322-041	1	SEALED BURNER BASE, PAINTED FINISH
56	009197-000	12	NO.6-32 X 5/8 18-8 SS NC SOC CAP

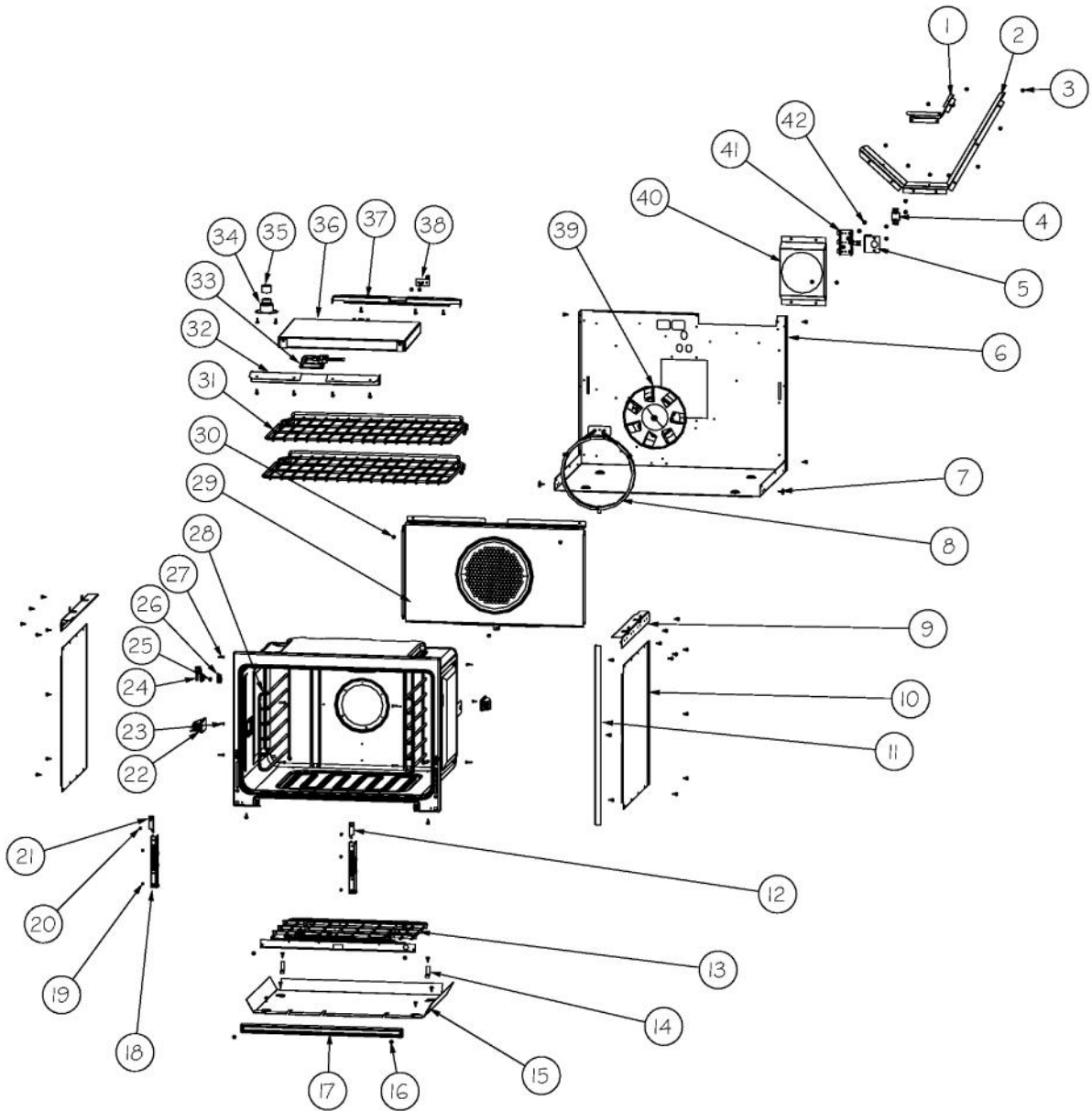
Ref #	Part Number	Qty.	Description
56	009197-000	12	NO.6-32 X 5/8 18-8 SS NC SOC CAP
57	006706-000	6	B6 REV SEALED BURNER
58	PA080083	6	D BURNER CAP XMATTE BLACKX



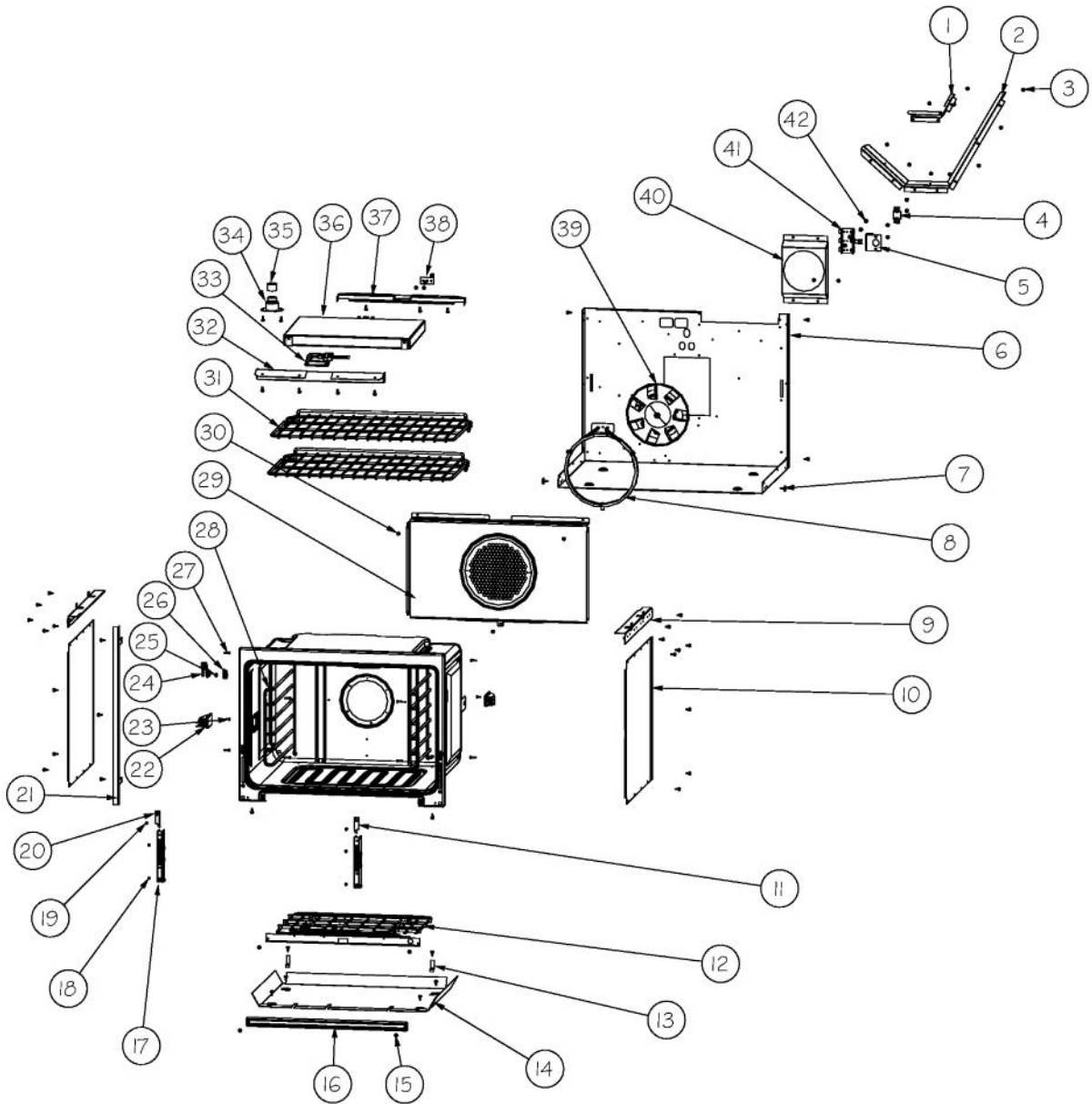
Ref #	Part Number	Qty.	Description
1	004285-000	1	INSULATION, FOIL-BACKED,4X5
2	003333-000	1	DUCT, FLUE
3	003860-000	28	NO.10-18 X .500 FASTNR,SCR,HXWH,STL,ZPLT
4	013250-000	1	LATCH,DOOR,ASM,240V,GRIDDLE LOCKOUT
5	013564-000	1	LOWER LATCH INSULATION
6	PE050250	1	PREMIUM BLOWER WITH HES (BEFORE 8/10/2013)
6	018607-000	1	FAN,BLO, 220-240V 50/60HZ ASSY (ON OR AFTER 8/10/2013)
7	004110-000	1	MOUNT,BLOWER
8	A2009659	1	BRACKET, FILLER, BLOWER
9	A20012649	1	DOOR SWITCH BRACKET
10	PE050208	1	DOOR SWITCH
11	002754-000	1	RANGE TOP BRACE, AIR CHANNEL
12	PB070079	3	SILICONE EXTRUSION (DGSU)
13	G4000936	1	GROUND WIRE
14	PD040152	1	SNAP BUSHING



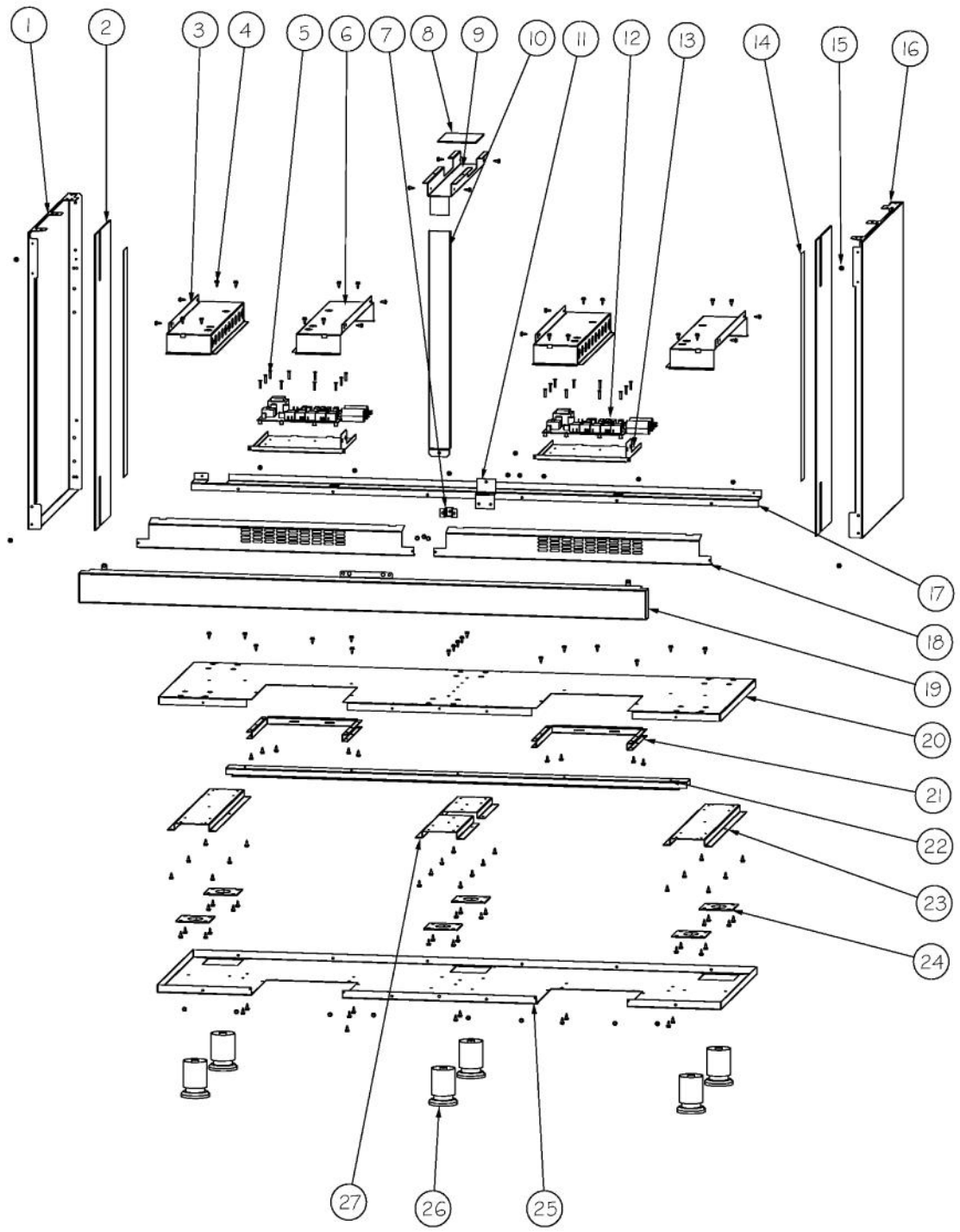
Ref #	Part Number	Qty.	Description
1	004285-000	1	INSULATION, FOIL-BACKED,4X5
2	003333-000	1	DUCT, FLUE
3	003860-000	28	NO.10-18 X .500 FASTNR,SCR,HXWH,STL,ZPLT
4	013250-000	1	LATCH,DOOR,ASM,240V,GRIDDLE LOCKOUT
5	013564-000	1	LOWER LATCH INSULATION
6	PE050250	1	PREMIUM BLOWER WITH HES (BEFORE 8/10/2013)
6	018607-000	1	FAN,BLO, 220-240V 50/60HZ ASSY (ON OR AFTER 8/10/2013)
7	004110-000	1	MOUNT,BLOWER
8	A2009659	1	BRACKET, FILLER, BLOWER
9	A20012649	1	DOOR SWITCH BRACKET
10	PE050208	1	DOOR SWITCH
11	002754-000	1	RANGE TOP BRACE, AIR CHANNEL
12	PB070079	3	SILICONE EXTRUSION (DGSU)
13	G4000936	1	GROUND WIRE
14	PD040152	1	SNAP BUSHING
15	004016-000	1	PLATE,SVCE,RGLT



Ref #	Part Number	Qty.	Description
1	003356-000	1	DIVERTER, AIR
2	002941-000	1	BAFFLE, FAN, REAR
3	003860-000	36	NO.10-18 X .500 FASTNR,SCR,HXWH,STL,ZPLT
4	A1002457	1	POWER CORD MOUNTING STRAP (VDSC)
5	A2002195	1	POWER CORD MOUNTING BRKT (VDSC)
6	003244-000	1	OVEN BOTTOM, BACK WRAP
7	PD020151	2	SHOULDER SCREW
8	PJ010047	1	CONVECTION ELEMENT
9	A2009641	2	BRKT, TOP WRAPPER
10	014137-000	2	WRAPPER, OVEN SIDE
11	003644-000	1	TRIM,FRONT,SIDE,STAINLESS
12	B21010915	1	HINGE CLIP ? RH
13	PJ010048	1	BAKE ELEMENT
14	A2009696	2	HOLDER, BAKE ELEMENT
15	A2009612	1	ELEMENT, MTG TRAY
16	PD020063	2	SCREW-NO.8(A) X 3/8PH WFR HD/BK OXID
17	E2109655	1	COVER, BAKE TRAY
18	031679-000	2	RECEPTACLE, HINGE
19	PD020062	4	NO.8-32 X 3/8 PHMS TYPE 1
20	PD020061	2	NO.8 X 3/4 FLAT HD TEK. SS.
21	B21010916	1	HINGE CLIP ? LH
22	005311-000	2	120V/25W HALOGEN LIGHT
23	PD020067	2	NO.6 X 3/8 PAN PHIL. TEK SS
24	PE050115	1	MEAT PROBE JACK
25	E91014053	1	PORCELAIN 25/64 HOLE PLUG
26	PM010160	1	MEAT PROBE JACK COVER
27	PD020232	8	NO.8 X 3/4 PH PAN HEAD TEK SCREW (BLACK OXIDE)
28	003040-000	2	RACK GUIDE ASSY, LH
29	G91013598	1	30 BAFFLE ASSEMBLY
30	PD020048	14	NO.10 X 1/2 TEK 410 SS SCREW
31	PB060107	2	30 OVEN RACK
32	B20014050	1	PREMIERE BROIL ELEMENT BRACKET FRONT
33	005312-000	1	BJB SLIMLINE 40 W BULB
34	PM010014	1	SMOKE ELIMINATOR (VDSC)
35	PJ010050	1	SEALED BROIL ELEMENT W/GLASS
36	PB020275	1	VENT TUBE
37	B20014051	1	PREMIERE BROIL ELEMENT BRACKET REAR
38	PE050206	1	RTD THERMOSTAT PROBE
39	G32014020	1	CONVECTION FAN ASSY
40	A2009697	1	BRACKET, CONVECTION INSULATION
41	PE070147	1	TERMINAL BLOCK
42	PD020014	4	10X3/4 PH TR HD SMS

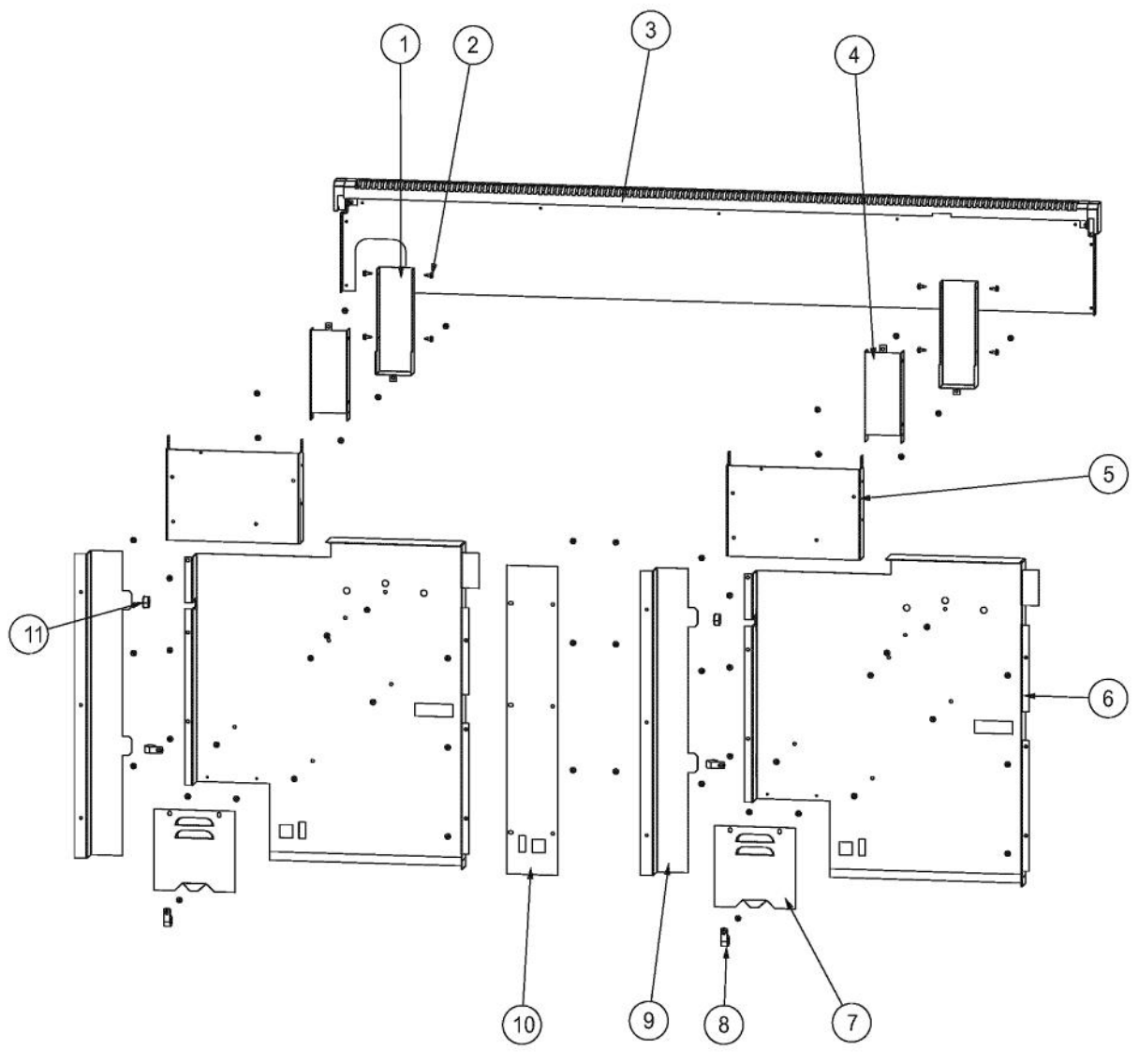


Ref #	Part Number	Qty.	Description
1	003356-000	1	DIVERTER, AIR
2	002941-000	1	BAFFLE, FAN, REAR
3	003860-000	36	NO.10-18 X .500 FASTNR,SCR,HXWH,STL,ZPLT
4	A1002457	1	POWER CORD MOUNTING STRAP (VDSC)
5	A2002195	1	POWER CORD MOUNTING BRKT (VDSC)
6	003244-000	1	OVEN BOTTOM, BACK WRAP
7	PD020151	2	SHOULDER SCREW
8	PJ010047	1	CONVECTION ELEMENT
9	A2009641	2	BRKT, TOP WRAPPER
10	014137-000	2	WRAPPER, OVEN SIDE
11	B21010915	1	HINGE CLIP ? RH
12	PJ010048	1	BAKE ELEMENT
13	A2009696	2	HOLDER, BAKE ELEMENT
14	A2009612	1	ELEMENT, MTG TRAY
15	PD020063	2	SCREW-NO.8(A) X 3/8PH WFR HD/BK OXID
16	E9109655	1	BAKE TRAY COVER
17	031679-000	2	RECEPTACLE, HINGE
18	PD020062	4	NO.8-32 X 3/8 PHMS TYPE 1
19	PD020061	2	NO.8 X 3/4 FLAT HD TEK. SS.
20	B21010916	1	HINGE CLIP ? LH
21	005038-000	1	TRIM,FR,SIDE,L
22	005311-000	2	120V/25W HALOGEN LIGHT
23	PD020067	2	NO.6 X 3/8 PAN PHIL. TEK SS
24	PE050115	1	MEAT PROBE JACK
25	E91014053	1	PORCELAIN 25/64 HOLE PLUG
26	PM010160	1	MEAT PROBE JACK COVER
27	PD020232	8	NO.8 X 3/4 PH PAN HEAD TEK SCREW (BLACK OXIDE)
28	003040-000	2	RACK GUIDE ASSY, LH
29	G91013598	1	30 BAFFLE ASSEMBLY
30	PD020048	14	NO.10 X 1/2 TEK 410 SS SCREW
31	PB060107	2	30 OVEN RACK
32	B20014050	1	PREMIERE BROIL ELEMENT BRACKET FRONT
33	005312-000	1	BJB SLIMLINE 40 W BULB
34	PM010014	1	SMOKE ELIMINATOR (VDSC)
35	PJ010050	1	SEALED BROIL ELEMENT W/GLASS
36	PB020275	1	VENT TUBE
37	B20014051	1	PREMIERE BROIL ELEMENT BRACKET REAR
38	PE050206	1	RTD THERMOSTAT PROBE
39	G32014020	1	CONVECTION FAN ASSY
40	A2009697	1	BRACKET, CONVECTION INSULATION
41	PE070147	1	TERMINAL BLOCK
42	PD020014	4	10X3/4 PH TR HD SMS

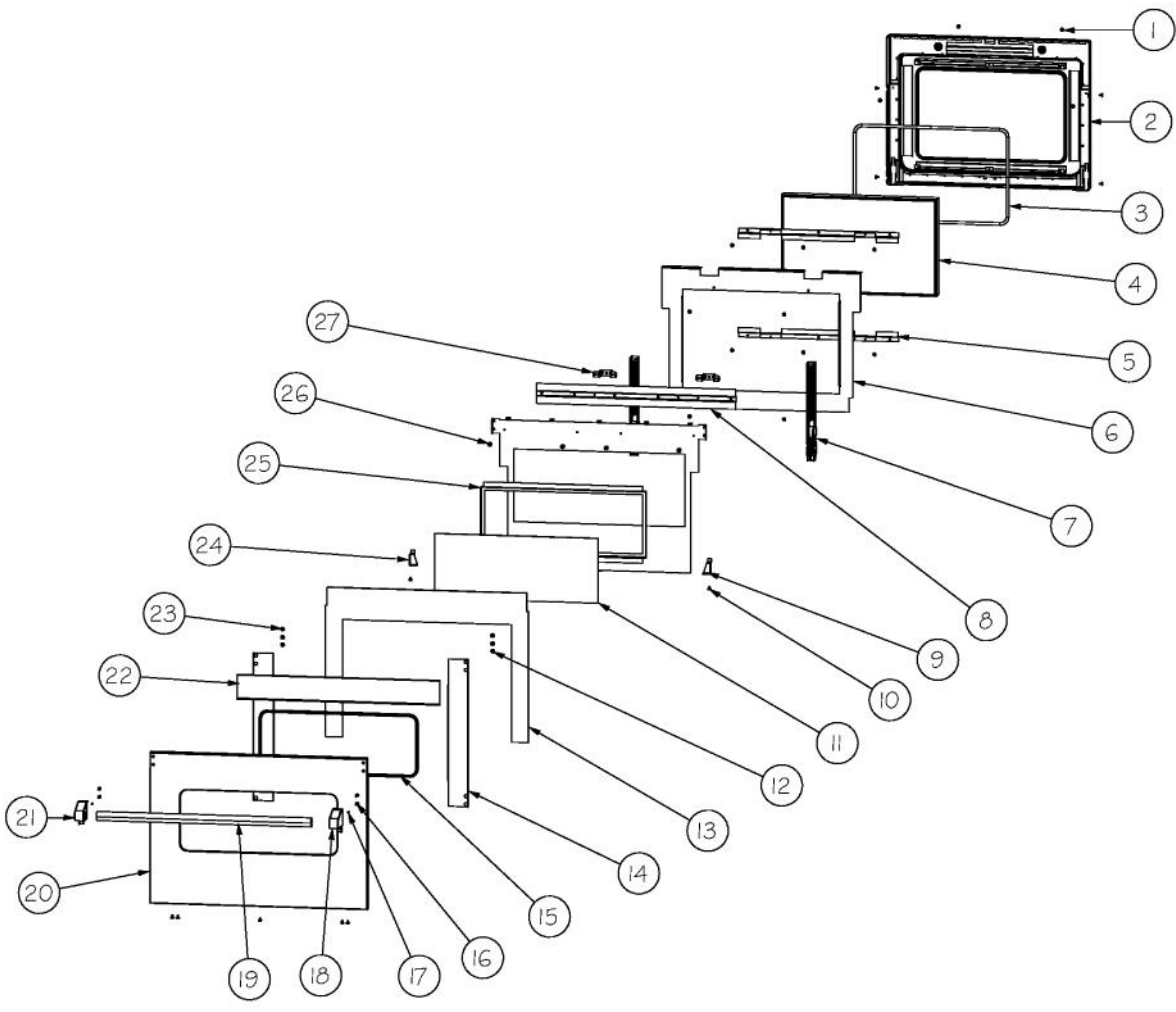


Ref #	Part Number	Qty.	Description
1	003588-000	1	SIDE PANEL, LH
1	005506-002	1	SIDE PANEL, LH ASSY, PAINTED XBKX
1	005506-003	1	SIDE PANEL, LH ASSY, PAINTED XBTX
1	005506-004	1	SIDE PANEL, LH ASSY, PAINTED XSGX
1	005506-005	1	SIDE PANEL, LH ASSY, PAINTED XGGX
1	005506-006	1	SIDE PANEL, LH ASSY, PAINTED XWHX
1	005506-008	1	SIDE PANEL, LH ASSY, PAINTED XBUX
1	005506-009	1	SIDE PANEL, LH ASSY, PAINTED XLEX
1	005506-010	1	SIDE PANEL, LH ASSY, PAINTED XMJX
1	005506-012	1	SIDE PANEL, LH ASSY, PAINTED XVBX
1	005506-013	1	SIDE PANEL, LH ASSY, PAINTED XCBX
1	005506-015	1	SIDE PANEL, LH ASSY, PAINTED XPLX
1	005506-016	1	SIDE PANEL, LH ASSY, PAINTED XCHX
1	005506-017	1	SIDE PANEL, LH ASSY, PAINTED XTPX
1	005506-018	1	SIDE PANEL, LH ASSY, PAINTED XCWX
1	005506-019	1	SIDE PANEL, LH ASSY, PAINTED XOGX
1	005506-020	1	SIDE PANEL, LH ASSY, PAINTED XGMX
1	005506-021	1	SIDE PANEL, LH ASSY, PAINTED XSAX
1	005506-022	1	SIDE PANEL, LH ASSY, PAINTED XSEX
1	005506-023	1	SIDE PANEL, LH ASSY, PAINTED XIBX
1	005506-024	1	SIDE PANEL, LH ASSY, PAINTED XARX
1	005506-025	1	SIDE PANEL, LH ASSY, PAINTED XRRX
1	005506-026	1	SIDE PANEL, LH ASSY, PAINTED XPMX
1	005506-027	1	SIDE PANEL, LH ASSY, PAINTED XMSX
2	007488-000	2	SINK, REAR, SIDE
3	003763-000	2	OVEN MODULE SUPPORT CHANNEL, LH
4	003860-000	129	NO.10-18 X .500 FASTNR,SCR,HXWH,STL,ZPLT
5	PD020043	20	NO.6-32 X .750 PH. CTRSK T(F)-VGSO166
6	003761-000	2	OVEN MODULE SUPPORT CHANNEL, RH
7	006741-000	1	PANEL, BRACKET, LWR, VDSC560
8	004285-000	1	INSULATION, FOIL-BACKED,4X5
9	006416-000	1	CONNECTION, UPPER, VDSC560
10	006417-000	1	TRIM, CTR, VDSC60
11	013787-000	1	BRACKET, MTG, REAR, OVEN CAVITY
12	000621-000	2	SUB TO 002406-000 - CONTROL BOARD (BEFORE 7/20/10)
12	014000-000	1	EOC4-CONTROL BOARD (ON OR AFTER 7/20/10)
NI	013999-000	1	SWITCHING POWER SUPPLY BOARD / EOC4 (ON OR AFTER 7/20/10)
13	003050-000	2	CONTROL BOARD MOUNTING PLATE (BEFORE 7/20/10)
13	015096-000	1	PLATE, MTG, EOC4 CONTROL BOARD (ON OR AFTER 7/20/10)
14	M0275166	2	TAPE-ALUM SL
15	003801-000	4	SHOULDER SCREW, NO.10
16	002905-000	1	SIDE PANEL, RH, SST
16	005503-002	1	SIDE PANEL, RH ASSY, PAINTED XBKX
16	005503-003	1	SIDE PANEL, RH ASSY, PAINTED XBTX
16	005503-004	1	SIDE PANEL, RH ASSY, PAINTED XSGX
16	005503-005	1	SIDE PANEL, RH ASSY, PAINTED XGGX
16	005503-006	1	SIDE PANEL, RH ASSY, PAINTED XWHX
16	005503-008	1	SIDE PANEL, RH ASSY, PAINTED XBUX
16	005503-009	1	SIDE PANEL, RH ASSY, PAINTED XLEX
16	005503-010	1	SIDE PANEL, RH ASSY, PAINTED XMJX
16	005503-012	1	SIDE PANEL, RH ASSY, PAINTED XVBX
16	005503-013	1	SIDE PANEL, RH ASSY, PAINTED XCBX
16	005503-015	1	SIDE PANEL, RH ASSY, PAINTED XPLX
16	005503-016	1	SIDE PANEL, RH ASSY, PAINTED XCHX
16	005503-017	1	SIDE PANEL, RH ASSY, PAINTED XTPX

Ref #	Part Number	Qty.	Description
16	005503-017	1	SIDE PANEL, RH ASSY, PAINTED XTPX
16	005503-018	1	SIDE PANEL, RH ASSY, PAINTED XCWX
16	005503-019	1	SIDE PANEL, RH ASSY, PAINTED XOGX
16	005503-020	1	SIDE PANEL, RH ASSY, PAINTED XGMX
16	005503-021	1	SIDE PANEL, RH ASSY, PAINTED XSAX
16	005503-022	1	SIDE PANEL, RH ASSY, PAINTED XSEX
16	005503-023	1	SIDE PANEL, RH ASSY, PAINTED XIBX
16	005503-024	1	SIDE PANEL, RH ASSY, PAINTED XARX
16	005503-025	1	SIDE PANEL, RH ASSY, PAINTED XRRX
16	005503-026	1	SIDE PANEL, RH ASSY, PAINTED XPMX
16	005503-027	1	SIDE PANEL, RH ASSY, PAINTED XMSX
17	006781-000	1	OVEN LEDGE, BACK
18	003330-000	2	ACCESS GRILL PANEL, LOWER
19	006601-000	1	KICKPLATE - SS
19	038526-002	1	KICKPLATE, VDSC 60 BK
19	038526-003	1	KICKPLATE, VDSC 60 BT
19	038526-004	1	KICKPLATE, VDSC 60 SG
19	038526-005	1	KICKPLATE, VDSC 60 GG
19	038526-006	1	KICKPLATE, VDSC 60 WH
19	038526-008	1	KICKPLATE, VDSC 60 BU
19	038526-009	1	KICKPLATE, VDSC 60 LE
19	038526-010	1	KICKPLATE, VDSC 60 MJ
19	038526-012	1	KICKPLATE, VDSC 60 VB
19	038526-013	1	KICKPLATE, VDSC 60 CB
19	038526-015	1	KICKPLATE, VDSC 60 PL
19	038526-016	1	KICKPLATE, VDSC 60 CH
19	038526-017	1	KICKPLATE, VDSC 60 TP
19	038526-018	1	KICKPLATE, VDSC 60 CW
19	038526-021	1	KICKPLATE, VDSC 60 SA
19	038526-022	1	KICKPLATE, VDSC 60 SE
19	038526-023	1	KICKPLATE, VDSC 60 IB
19	038526-024	1	KICKPLATE, VDSC 60 AR
19	038526-025	1	KICKPLATE, VDSC 60 RR
19	038526-051	1	KICKPLATE, VDSC 60 CN
19	038526-020	1	KICKPLATE, VDSC 60 GM
19	038526-053	1	KICKPLATE, VDSC 60 KB
19	038526-026	1	KICKPLATE, VDSC 60 PM
19	038526-019	1	KICKPLATE, VDSC 60 OG
20	006410-000	1	BASE TOP PLATE
21	003054-000	2	BASE CENTER CUTOUT STIFFENER
22	006411-000	1	SUPPORT BASE, VDSC560
23	003053-000	2	BASE LEG SUPPORT CHANNEL
24	PC030007	6	LEG PLATE - 3/4 THREADED HOLE
25	006409-000	1	BASE LOWER PLATE
26	PC030031	6	ADJUSTABLE LEG
27	006412-000	2	SUPPORT BASE, FR VDSC560

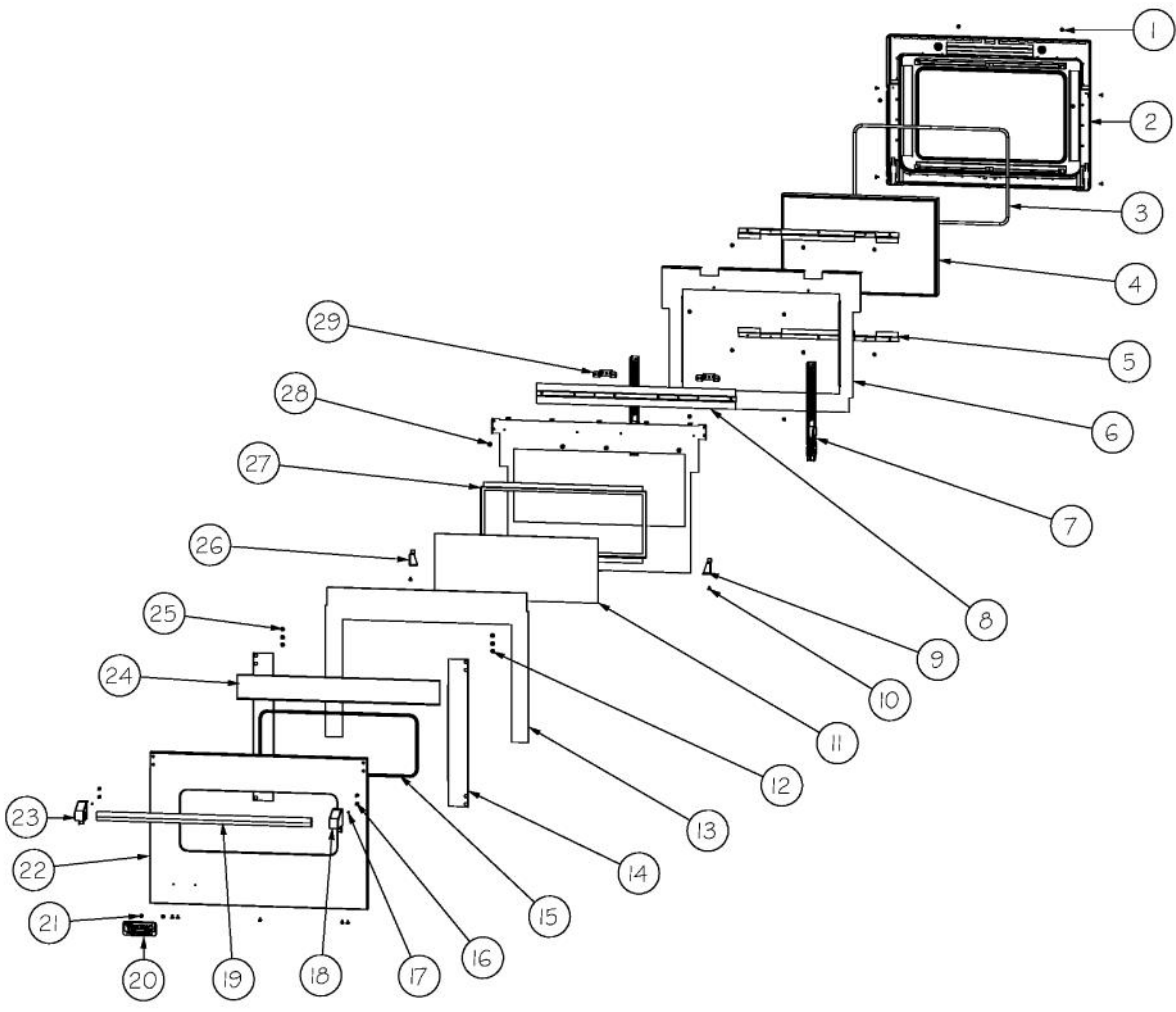


Ref #	Part Number	Qty.	Description
1	A20010101	2	FLUE, OUTSIDE SHELL
2	003860-000	61	NO.10-18 X .500 FASTNR,SCR,HXWH,STL,ZPLT
3	014589-000	1	ISLAND TRIM, ASM CUSTOM RANGE 60
4	A20010102	2	FLUE, CENTER EXTENDED
5	003681-000	2	DUCT, AIR
6	003272-000	2	COVER, REAR
7	A2002454	2	BACK COVER ACCESS DOOR
8	PD030109	4	INSULATED CLAMP
9	003245-000	2	CHANNEL, WIRE, REAR
10	016043-000	1	PLATE, BACK, CTR,VDSC60
11	PD040005	2	SNAP BUSHING - 7/8



Ref #	Part Number	Qty.	Description
1	PD020063	17	SCREW-NO.8(A) X 3/8PH WFR HD/BK OXID
2	015412-000	1	DOOR LINER SPOTWELD ASM
3	000594-000	1	BLACK FIBERGLASS ROPE 3/8
4	PE060094	1	30 WINDOW PACK
5	004153-000	2	DOOR GLASS HOLDER BRACKET
6	004152-000	1	DOOR LINER INSULATION RETAINER, 30
7	002740-000	2	MANSFIELD HINGE, BLUE SPRING
8	002732-000	1	DOOR SKIN MOUNTING BRACKET ASSY
9	A20012640	1	HINGE SUPPORT RH
10	PD020032	7	SRW-8(A)X3/8PH.WFR HD 7/16DIAXNICL
11	PE060090	1	30 PROF. OUTER DOOR GLASS (NOT FIELD REPLACEABLE - MUST ORDER ITEM NO. 20)
12	PD020073	2	SRW NO.10 X 24 X 3/8 WAFER HD TYPE23
13	006787-000	2	INSULATION,DOOR,SIDE,SUPERWOOL,,25,VDSC530
13	006788-000	1	INSULATION,DOOR,TOP,SUPERWOOL,,25,VDSC530
14	002726-000	2	DOOR SKIN SIDE BRACKET
15	PE060105	1	30 J-MOLD (CHROME) NOT FIELD REPLACEABLE (NOT FIELD REPLACEABLE - MUST ORDER ITEM NO. 20)
16	002736-000	3	NO.10-32 PAN HEAD PHILLIPS MACHINE SCREW
17	003650-000	2	SET SCREW
18	003012-000	1	DOOR HANDLE ENDCAP ASSY, RH (CHROME)
18	003012-100	1	DOOR HANDLE ENDCAP ASSY, RH (BRASS)
19	002728-000	1	DOOR HANDLE - SS, 1.25 OD
20	023251-000	1	SVC DOOR SKIN KIT, VDSC530, 530T, SS
20	023252-002	1	SRV DOOR SKIN KIT, VDSC530, 530T, BK
20	023252-003	1	SRV DOOR SKIN KIT, VDSC530, 530T, BT
20	023252-004	1	SRV DOOR SKIN KIT, VDSC530, 530T, SG
20	023252-005	1	SRV DOOR SKIN KIT, VDSC530, 530T, GG
20	023252-006	1	SRV DOOR SKIN KIT, VDSC530, 530T, WH
20	023252-008	1	SRV DOOR SKIN KIT, VDSC530, 530T, BU
20	023252-009	1	SRV DOOR SKIN KIT, VDSC530, 530T, LE
20	023252-010	1	SRV DOOR SKIN KIT, VDSC530, 530T, MJ
20	023252-012	1	SRV DOOR SKIN KIT, VDSC530, 530T, VB
20	023252-013	1	SRV DOOR SKIN KIT, VDSC530, 530T, CB
20	023252-015	1	SRV DOOR SKIN KIT, VDSC530, 530T, PL
20	023252-016	1	SRV DOOR SKIN KIT, VDSC530, 530T, CH
20	023252-017	1	SRV DOOR SKIN KIT, VDSC530, 530T, TP
20	023252-018	1	SRV DOOR SKIN KIT, VDSC530, 530T, CW
20	023252-019	1	SRV DOOR SKIN KIT, VDSC530, 530T, OG
20	023252-020	1	SRV DOOR SKIN KIT, VDSC530, 530T, GM
20	023252-021	1	SRV DOOR SKIN KIT, VDSC530, 530T, SA
20	023252-022	1	SRV DOOR SKIN KIT, VDSC530, 530T, SE
20	023252-023	1	SRV DOOR SKIN KIT, VDSC530, 530T, IB
20	023252-024	1	SRV DOOR SKIN KIT, VDSC530, 530T, AR
20	023252-025	1	SRV DOOR SKIN KIT, VDSC530, 530T, RR
20	023252-026	1	SRV DOOR SKIN KIT, VDSC530, 530T, PM
20	023252-027	1	SRV DOOR SKIN KIT, VDSC530, 530T, MS
21	003011-000	1	DOOR HANDLE ENDCAP ASSY, LH (CHROME)
21	003011-100	1	DOOR HANDLE ENDCAP ASSY, LH (BRASS)
22	002724-000	1	DOOR SKIN HEAT SINK, 30
23	004907-000	4	STEEL FINISHING PLUG, NICKEL PLTD 25/64 HOLE
24	A20012641	1	HINGE SUPPORT LH
25	L20014077	1	30 WINDOW HOLDER NOT FIELD REPLACEABLE (NOT FIELD REPLACEABLE - MUST ORDER ITEM NO. 20)
26	PD020033	4	SRW-NO.10-24X1/2T(23)PH.WFR HD (NKL)
27	A21014003	2	DOOR LINER MTG. BRKT.
NI	006805-000	1	DOOR ASM, 30, SS, NO LOGO
NI	013355-002	1	DOOR ASM, 30, NO LOGO, BK
NI	013355-003	1	DOOR ASM, 30, NO LOGO, BT
NI	013355-004	1	DOOR ASM, 30, SG, NO LOGO

Ref #	Part Number	Qty.	Description
NI	013355-004	1	DOOR ASM, 30, SG, NO LOGO
NI	013355-005	1	DOOR ASM, 30, NO LOGO, GG
NI	013355-006	1	DOOR ASM, 30, WH, NO LOGO
NI	013355-007	1	DOOR, ASM - AL
NI	013355-008	1	DOOR ASM, 30, NO LOGO, BU
NI	013355-009	1	DOOR ASM, 30, NO LOGO, LE
NI	013355-010	1	DOOR ASM, 30, NO LOGO, MJ
NI	013355-011	1	DOOR, ASM - FG
NI	013355-012	1	DOOR ASM, 30, VB, NO LOGO
NI	013355-013	1	DOOR ASM, 30, NO LOGO, CB
NI	013355-014	1	DOOR, ASM - EP
NI	013355-015	1	DOOR ASM, 30, PL, NO LOGO
NI	013355-016	1	DOOR ASM, 30, NO LOGO, CH
NI	013355-017	1	DOOR ASM, 30, TP, NO LOGO
NI	013355-018	1	DOOR ASM, 30, NO LOGO, CW
NI	013355-019	1	DOOR ASM, 30, OG, NO LOGO
NI	013355-020	1	DOOR ASM, 30, NO LOGO, GM
NI	013355-021	1	DOOR ASM, 30, SA, NO LOGO
NI	013355-022	1	DOOR ASM, 30, SE, NO LOGO
NI	013355-023	1	DOOR ASM, 30, NO LOGO, IB
NI	013355-024	1	DOOR ASM, 30, NO LOGO, AR
NI	013355-025	1	DOOR ASM, 30, RR, NO LOGO
NI	013355-026	1	DOOR ASM, 30, PM, NO LOGO
NI	013355-027	1	DOOR ASM, 30, NO LOGO, MS
NI	006805-100	1	DOOR ASM, 30, SS/BR, NO LOGO
NI	013355-102	1	DOOR ASM, 30, NO LOGO, BK/BR
NI	013355-103	1	DOOR ASM, 30, NO LOGO, BT/BR
NI	013355-104	1	DOOR ASM, 30, NO LOGO, SG/BR
NI	013355-105	1	DOOR ASM, 30, NO LOGO, GG/BR
NI	013355-106	1	DOOR ASM, 30, NO LOGO, WH/BR
NI	013355-107	1	DOOR, ASM - BR, AL
NI	013355-108	1	DOOR ASM, 30, NO LOGO, BU/BR
NI	013355-109	1	DOOR ASM, 30, NO LOGO, LE/BR
NI	013355-110	1	DOOR ASM, 30, NO LOGO, MJ/BR
NI	013355-111	1	DOOR, ASM - BR, FG
NI	013355-112	1	DOOR ASM, 30, NO LOGO, VB/BR
NI	013355-113	1	DOOR ASM, 30, NO LOGO, CB/BR
NI	013355-114	1	DOOR, ASM - BR, EP
NI	013355-115	1	DOOR ASM, 30, NO LOGO, PL/BR
NI	013355-116	1	DOOR ASM, 30, NO LOGO, CH/BR
NI	013355-117	1	DOOR ASM, 30, NO LOGO, TP/BR
NI	013355-118	1	DOOR ASM, 30, NO LOGO, CW/BR
NI	013355-119	1	DOOR ASM, 30, NO LOGO, OG/BR
NI	013355-120	1	DOOR ASM, 30, NO LOGO, GM/BR
NI	013355-121	1	DOOR ASM, 30, NO LOGO, SA/BR
NI	013355-122	1	DOOR ASM, 30, NO LOGO, SE/BR
NI	013355-123	1	DOOR ASM, 30, NO LOGO, IB/BR
NI	013355-124	1	DOOR ASM, 30, NO LOGO, AR/BR
NI	013355-125	1	DOOR ASM, 30, NO LOGO, RR/BR
NI	013355-126	1	DOOR ASM, 30, NO LOGO, PM/BR
NI	013355-127	1	DOOR ASM, 30, NO LOGO, MS/BR



Ref #	Part Number	Qty.	Description
1	PD020063	17	SCREW-NO.8(A) X 3/8PH WFR HD/BK OXID
2	015412-000	1	DOOR LINER SPOTWELD ASM
3	000594-000	1	BLACK FIBERGLASS ROPE 3/8
4	PE060094	1	30 WINDOW PACK
5	004153-000	2	DOOR GLASS HOLDER BRACKET
6	004152-000	1	DOOR LINER INSULATION RETAINER, 30
7	002740-000	2	MANSFIELD HINGE, BLUE SPRING
8	002732-000	1	DOOR SKIN MOUNTING BRACKET ASSY
9	A20012640	1	HINGE SUPPORT RH
10	PD020032	7	SRW-8(A)X3/8PH.WFR HD 7/16DIAXNICL
11	PE060090	1	30 PROF. OUTER DOOR GLASS (NOT FIELD REPLACEABLE - MUST ORDER ITEM NO. 22)
12	PD020073	2	SRW NO.10 X 24 X 3/8 WAFER HD TYPE23
13	006787-000	2	INSULATION,DOOR,SIDE,SUPERWOOL,,25,VDSC530
13	006788-000	1	INSULATION,DOOR,TOP,SUPERWOOL,,25,VDSC530
14	002726-000	2	DOOR SKIN SIDE BRACKET
15	PE060105	1	30 J-MOLD (CHROME) NOT FIELD REPLACEABLE (NOT FIELD REPLACEABLE - MUST ORDER ITEM NO. 22)
16	002736-000	3	NO.10-32 PAN HEAD PHILLIPS MACHINE SCREW
17	003650-000	2	SET SCREW
18	003012-000	1	DOOR HANDLE ENDCAP ASSY, RH (CHROME)
18	003012-100	1	DOOR HANDLE ENDCAP ASSY, RH (BRASS)
19	002728-000	1	DOOR HANDLE - SS, 1.25 OD
20	PE010030	1	LOGO, 6, PRO, BK
20	PE010068	1	LOGO, 6, PRO, BK/BR
21	PD030006	2	CAPPED WASHER PAL NUT
22	023251-000	1	SVC DOOR SKIN KIT, VDSC530, 530T, SS
22	023252-002	1	SRV DOOR SKIN KIT, VDSC530, 530T, BK
22	023252-003	1	SRV DOOR SKIN KIT, VDSC530, 530T, BT
22	023252-004	1	SRV DOOR SKIN KIT, VDSC530, 530T, SG
22	023252-005	1	SRV DOOR SKIN KIT, VDSC530, 530T, GG
22	023252-006	1	SRV DOOR SKIN KIT, VDSC530, 530T, WH
22	023252-008	1	SRV DOOR SKIN KIT, VDSC530, 530T, BU
22	023252-009	1	SRV DOOR SKIN KIT, VDSC530, 530T, LE
22	023252-010	1	SRV DOOR SKIN KIT, VDSC530, 530T, MJ
22	023252-012	1	SRV DOOR SKIN KIT, VDSC530, 530T, VB
22	023252-013	1	SRV DOOR SKIN KIT, VDSC530, 530T, CB
22	023252-015	1	SRV DOOR SKIN KIT, VDSC530, 530T, PL
22	023252-016	1	SRV DOOR SKIN KIT, VDSC530, 530T, CH
22	023252-017	1	SRV DOOR SKIN KIT, VDSC530, 530T, TP
22	023252-018	1	SRV DOOR SKIN KIT, VDSC530, 530T, CW
22	023252-019	1	SRV DOOR SKIN KIT, VDSC530, 530T, OG
22	023252-020	1	SRV DOOR SKIN KIT, VDSC530, 530T, GM
22	023252-021	1	SRV DOOR SKIN KIT, VDSC530, 530T, SA
22	023252-022	1	SRV DOOR SKIN KIT, VDSC530, 530T, SE
22	023252-023	1	SRV DOOR SKIN KIT, VDSC530, 530T, IB
22	023252-024	1	SRV DOOR SKIN KIT, VDSC530, 530T, AR
22	023252-025	1	SRV DOOR SKIN KIT, VDSC530, 530T, RR
22	023252-026	1	SRV DOOR SKIN KIT, VDSC530, 530T, PM
22	023252-027	1	SRV DOOR SKIN KIT, VDSC530, 530T, MS
23	003011-000	1	DOOR HANDLE ENDCAP ASSY, LH (CHROME)
23	003011-100	1	DOOR HANDLE ENDCAP ASSY, LH (BRASS)
24	002724-000	1	DOOR SKIN HEAT SINK, 30
25	004907-000	4	STEEL FINISHING PLUG, NICKEL PLTD 25/64 HOLE
26	A20012641	1	HINGE SUPPORT LH
27	L20014077	1	30 WINDOW HOLDER NOT FIELD REPLACEABLE (NOT FIELD REPLACEABLE - MUST ORDER ITEM NO. 22)
28	PD020033	4	SRW-NO.10-24X1/2T(23)PH.WFR HD (NKL)
29	A21014003	2	DOOR LINER MTG. BRKT.
NI	003779-000	1	DOOR ASSEMBLY - STAINLESS

Ref #	Part Number	Qty.	Description
NI	003779-000	1	DOOR ASSEMBLY - STAINLESS
NI	005514-002	1	DOOR ASSEMBLY - 30, PAINTED XBKX
NI	005514-003	1	DOOR ASSEMBLY - 30, PAINTED XBTX
NI	005514-004	1	DOOR ASSEMBLY - 30, PAINTED XSGX
NI	005514-005	1	DOOR ASSEMBLY - 30, PAINTED XGGX
NI	005514-006	1	DOOR ASSEMBLY - 30, PAINTED XWHX
NI	005514-007	1	DOOR ASSEMBLY - 30 AL
NI	005514-008	1	DOOR ASSEMBLY - 30, PAINTED XBUX
NI	005514-009	1	DOOR ASSEMBLY - 30, PAINTED XLEX
NI	005514-010	1	DOOR ASSEMBLY - 30, PAINTED XMJX
NI	005514-011	1	DOOR SKIN - 30 FG
NI	005514-012	1	DOOR ASSEMBLY - 30, PAINTED XVBX
NI	005514-013	1	DOOR ASSEMBLY - 30, PAINTED XCBX
NI	005514-014	1	DOOR SKIN - 30 EP
NI	005514-015	1	DOOR ASSEMBLY - 30, PAINTED XPLX
NI	005514-016	1	DOOR ASSEMBLY - 30, PAINTED XCHX
NI	005514-017	1	DOOR ASSEMBLY - 30, PAINTED XTPX
NI	005514-018	1	DOOR ASSEMBLY - 30, PAINTED XCWX
NI	005514-019	1	DOOR ASSEMBLY - 30, PAINTED XOGX
NI	005514-020	1	DOOR ASSEMBLY - 30, PAINTED XGMX
NI	005514-021	1	DOOR ASSEMBLY - 30, PAINTED XSAX
NI	005514-022	1	DOOR ASSEMBLY - 30, PAINTED XSEX
NI	005514-023	1	DOOR ASSEMBLY - 30, PAINTED XIBX
NI	005514-024	1	DOOR ASSEMBLY - 30, PAINTED XARX
NI	005514-025	1	DOOR ASSEMBLY - 30, PAINTED XRRX
NI	005514-026	1	DOOR ASSEMBLY - 30, PAINTED XPMX
NI	005514-027	1	DOOR ASSEMBLY - 30, PAINTED XMSX
NI	003779-100	1	DOOR ASSEMBLY - 30 SS/BR
NI	005514-102	1	DOOR ASSEMBLY - 30, PAINTED XBKBRX
NI	005514-103	1	DOOR ASSEMBLY - 30, PAINTED XBTBRX
NI	005514-104	1	DOOR ASSEMBLY - 30, PAINTED XSGBRX
NI	005514-105	1	DOOR ASSEMBLY - 30, PAINTED XGGBRX
NI	005514-106	1	DOOR ASSEMBLY - 30, PAINTED XWHBRX
NI	005514-107	1	DOOR ASSEMBLY - 30, PAINTED XALBRX
NI	005514-108	1	DOOR ASSEMBLY - 30, PAINTED XBUBRX
NI	005514-109	1	DOOR ASSEMBLY - 30, PAINTED XLEBRX
NI	005514-110	1	DOOR ASSEMBLY - 30, PAINTED XMJBRX
NI	005514-111	1	DOOR ASSEMBLY - 30, PAINTED XFGBRX
NI	005514-112	1	DOOR ASSEMBLY - 30, PAINTED XVBBRX
NI	005514-113	1	DOOR ASSEMBLY - 30, PAINTED XCBBRX
NI	005514-114	1	DOOR ASSEMBLY - 30, PAINTED XEPBRX
NI	005514-115	1	DOOR ASSEMBLY - 30, PAINTED XPLBRX
NI	005514-116	1	DOOR ASSEMBLY - 30, PAINTED XCHBRX
NI	005514-117	1	DOOR ASSEMBLY - 30, PAINTED XTPBRX
NI	005514-118	1	DOOR ASSEMBLY - 30, PAINTED XCWBRX
NI	005514-119	1	DOOR ASSEMBLY - 30, PAINTED XOGBRX
NI	005514-120	1	DOOR ASSEMBLY - 30, PAINTED XGMBRX
NI	005514-121	1	DOOR ASSEMBLY - 30, PAINTED XSABRX
NI	005514-122	1	DOOR ASSEMBLY - 30, PAINTED XSEBRX
NI	005514-123	1	DOOR ASSEMBLY - 30, PAINTED XIBBRX
NI	005514-124	1	DOOR ASSEMBLY - 30, PAINTED XARBRX
NI	005514-125	1	DOOR ASSEMBLY - 30, PAINTED XRRBRX
NI	005514-126	1	DOOR ASSEMBLY - 30, PAINTED XPMBRX
NI	005514-127	1	DOOR ASSEMBLY - 30, PAINTED XMSBRX

*No Image  
Available*

Ref #	Part Number	Qty.	Description
NI	015466-000	1	HARNESS, PWR, ASM, JUMPER
NI	020020-000	1	HARNESS, WRG, TEST, EOC4 DOUBLE OVEN
NI	012828-000	1	HARNESS, GROUND, DSI, VDSC536-4G
NI	PE070892	1	IRIS HARNESS - 60
NI	036200-000	1	HARNESS. W/ GRIDDLE
NI	013625-000	1	VDSC548-4GQ GRIDDLE HARNESS
NI	004133-000	1	CONTROL PANEL HARNESS
NI	013295-000	1	HARNESS, LIGHT SWITCH, VDSC548
NI	021319-000	2	HARNESS, ADPT, LED, 125V TO 2V
NI	PE070739	1	BAKE ELEMENT HARNESS
NI	024871-000	1	MAIN HARNESS
NI	036200-000	1	HARNESS. W/ GRIDDLE