

This Owner's Manual is provided and hosted by [Appliance Factory Parts](#).



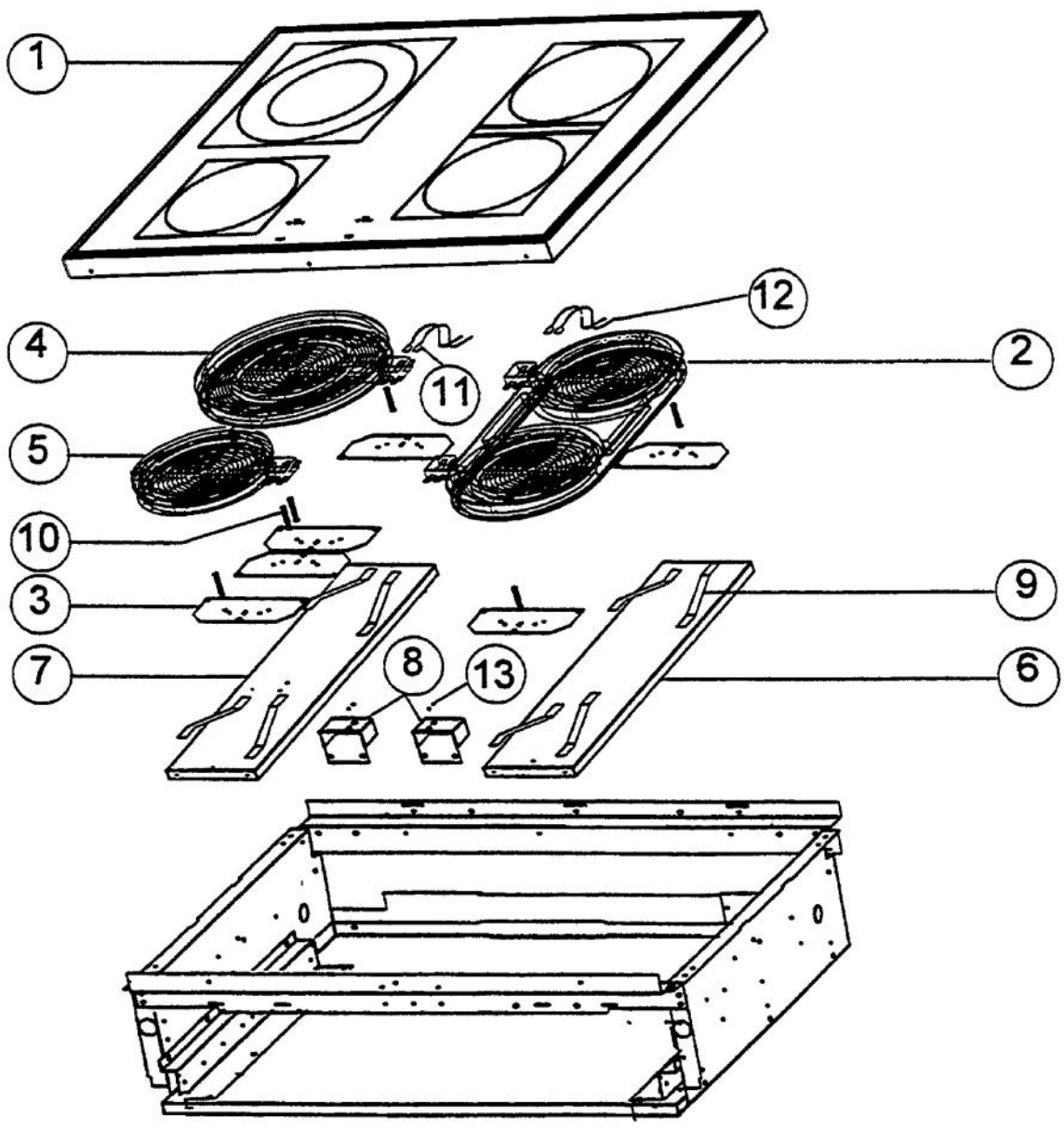
# VIKING VERT300 Owner's Manual

[Shop genuine replacement parts for VIKING VERT300](#)

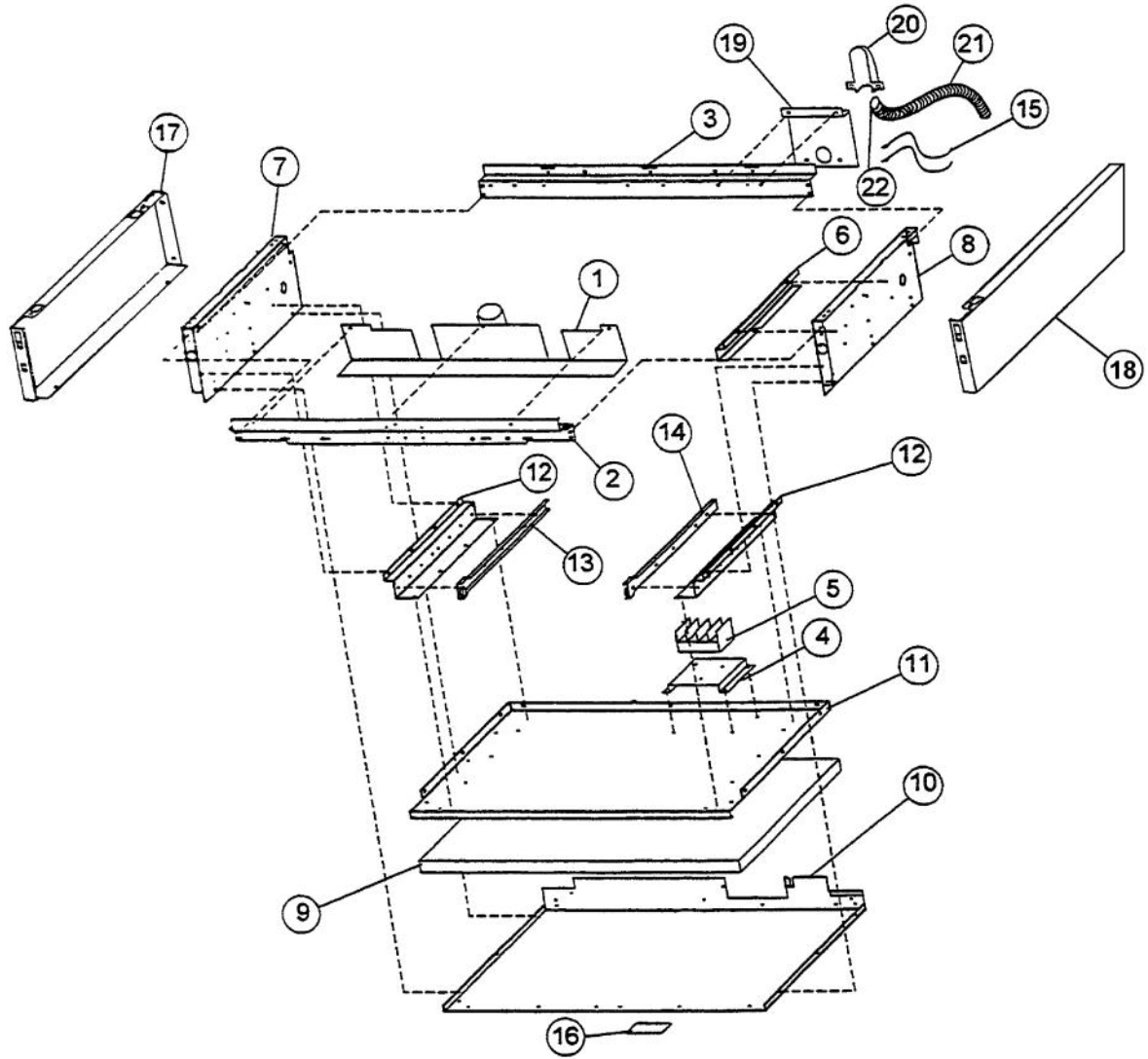


[Find Your VIKING Range Hoods Parts - Select From 411 Models](#)

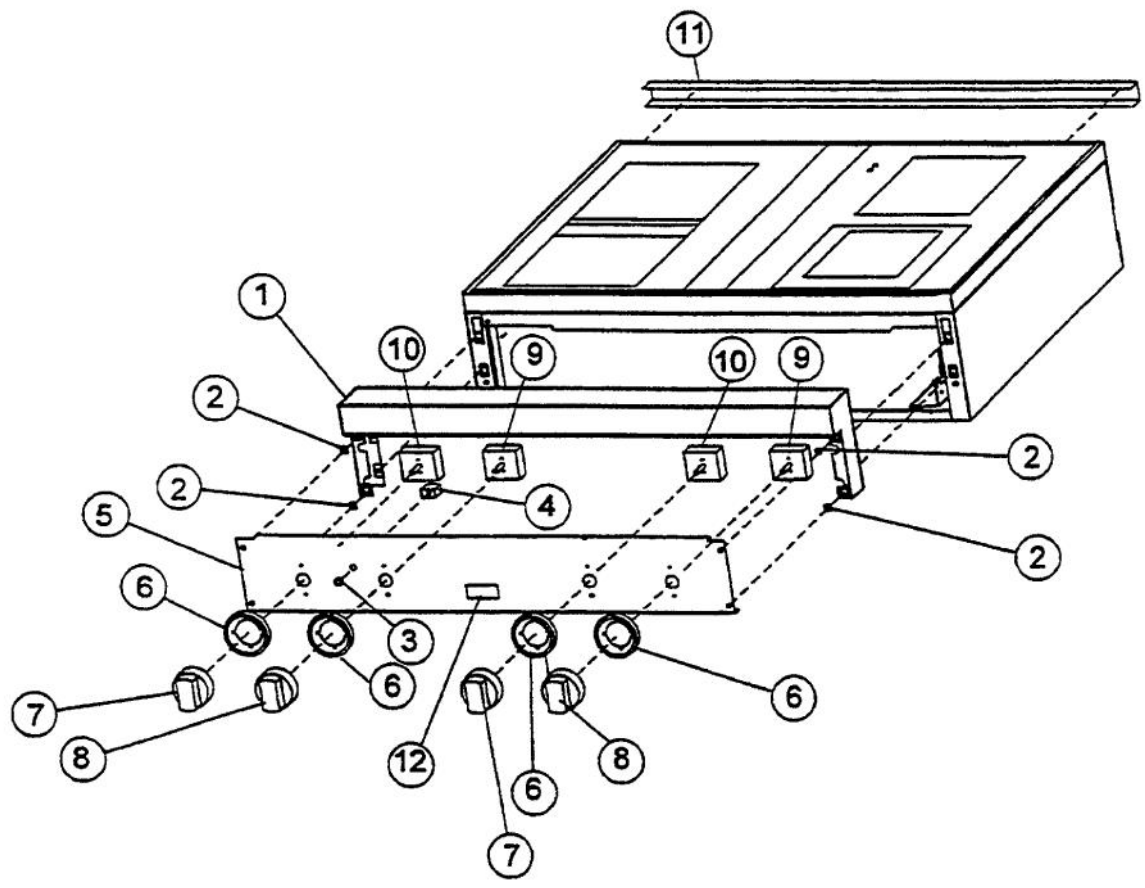
----- Manual continues below -----



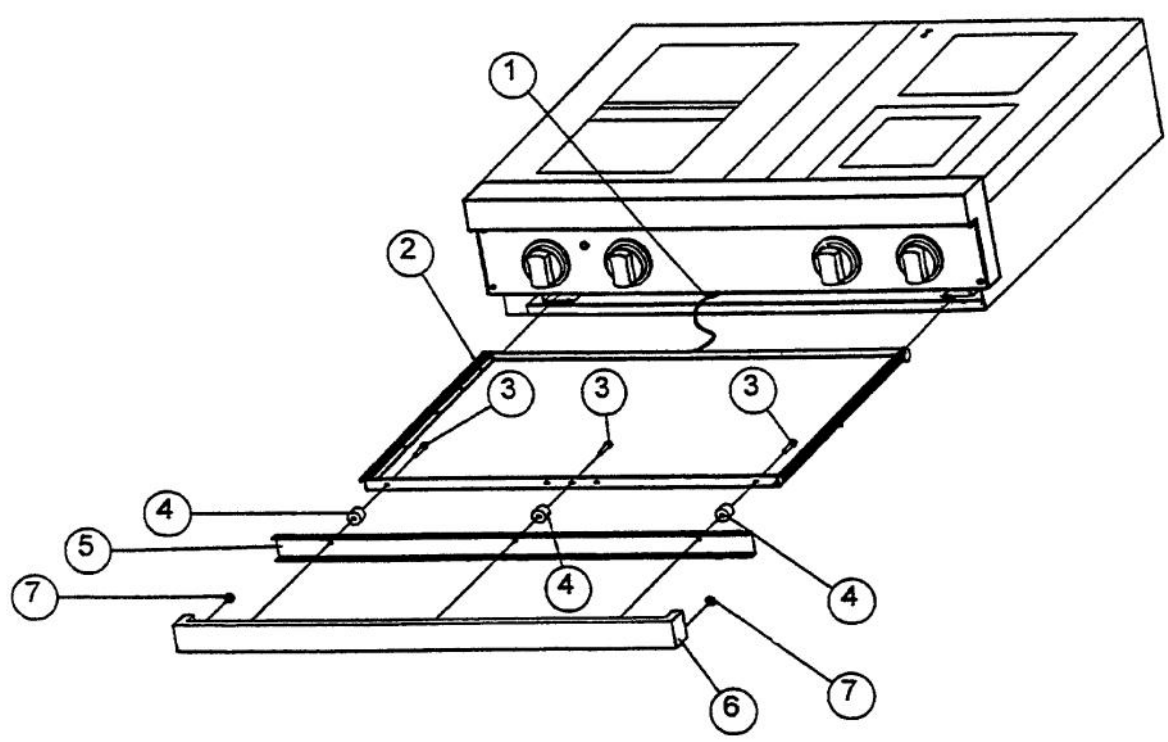
Ref #	Part Number	Qty.	Description
1	G5007437BK G5007437WH		CERAMIC TOP FRAME ASSY XBKX CERAMIC TOP FRAME ASSY XWHX
2	PJ020004		ELEMENT-(2)1800 X 800
3	PD040033		ELEMENT SHOULDER
4	PJ020001		ELEMENT-2400(1000)
5	PJ020003		ELEMENT
6	A2003020		ELEMENT SUPT RH (VESC305-4B)
7	A2003019		ELEMENT SUPT LH (VESC305-4B)
8	A2003003		BOX-SURFACE INDICATOR LIGHT (VESC30
9	C2003001		ELEMENT SPRING (VESC305-4B)
10	PD040032		SPACER (VESC/VERT) (1/4 X 1/4)
11	PE070174		ELEMENT HARNESS-LH (VESC305-4B)
12	PE070175		ELEMENT HARNESS-RH (VESC305-4B)
13	PE050023		OVEN IND. LIGHT (LENS & BEZEL)



Ref #	Part Number	Qty.	Description
1	A2003004		CTRL PAN SHIELD (VESC305-4B)
2	A2003007		FRONT SUPT (VESC305-4B)
3	A2003008		REAR SUPT (VESC305-4B)
4	A2003002		TERMINAL BLOCK MTG BRKT (VERT300)
5	PE070147		TERMINAL BLOCK
6	A2000210		WIRE CHANNEL
7	A2001912		BURNER BOX SIDE LH
8	A2001911		BURNER BOX SIDE RH
9	PB070034		INSULATION-TRS-10 1 X 20 X 3'
10	A2001400		BURNER BOX BTM
11	A2001401		INSULATION PANEL
12	A2001160		DRIP TRAY GUIDE BRKT (VGRT)
13	PK000007		DRIP TRAY GUIDE - LH (VGRT)
14	PK000008		DRIP TRAY GUIDE - RH
15	G4003024		TERMINAL BLOCK WIRE(VERT300)RED 12
	G4003025		TERMINAL BLOCK WIREBKKX (VERT300) 1
16	PE020047		RATING LABEL
17	B2001920		SIDE PANEL-LH (VGRT)
18	B2001919		SIDE PANEL-RH (VGRT)
19	A2003018		CONDUIT BRKT (VERT300)
20	PB040070		CONDUIT FITTING (90 DEG)
21	PB020071		CONDUIT - FLEXIBLE (48)
22	PD040034		CONDUIT GROMMET (1/2)



Ref #	Part Number	Qty.	Description
1	G3001406		LANDING LEDGE ASSY
2	PD030050		10-24 CAGE NUT SS
3	PE050023		OVEN IND. LIGHT (LENS & BEZEL)
4	PE050024		OVEN IND. LIGHT (LIGHT HOUSING)
5	B9202833		CTRL PAN (VERT300-4B) XSLK SCRX
	C9202833BK		CTRL PAN XBKX (VERT300-4B) XSLK
	C9202833WH		CTRL PAN XWHX (VERT300-4B) XSLK S
6	PB010208		BEZEL, CHROME PLATE
	PB010209		BEZEL BRASS
7	PB010143		KNOB-DUAL INFINITE SWITCH XBKX
	PB010144		KNOB-DUAL INFINITE SWITCH XWHX
8	PB010145		KNOB-SINGLE INFINITE SWITCH XBKX
	PB010146		KNOB-SINGLE INFINITE SWITCH XWHX
9	PJ030007		INFINITE SWITCH
10	G50013538		PJ030027 INFINITE SWITCH SERVICE KIT
11	B2002763		REAR FRAME TRIM (VERT)
12	PE010142		3 LOGO XBKXXCHROME
	PE010144		3 LOGO XWHXCHROME
	PE010143		3 LOGO BK/BR
	PE010145		LOGO - WH / BR



Ref #	Part Number	Qty.	Description
1	G4002752		DRIP TRAY GROUND WIRE (VDSC)
2	B3002766		DRIP TRAY (W/OUT EMBOSS) 30
3	PD020049		NO.10 X 1 1/4 PH. PAN HD. T(A)
4	PD040028		BUSHING(.194ID/.750OD/.750LONG)
5	B2002589		DRIP TRAY HAN BACK PLATE (VDSC30)
6	B3001840		DRIP TRAY HANDLE
	C9301840PVD		DRIP TY HDLE REPL C9301840BR
7	PD040004		GROMMET BUMPER
NI	PK000009		RUNNER, DRIP TRAY - LH (VGRT)
NI	PK000010		RUNNER, DRIP TRAY - RH (VGRT)