

This Owner's Manual is provided and hosted by [Appliance Factory Parts](#).



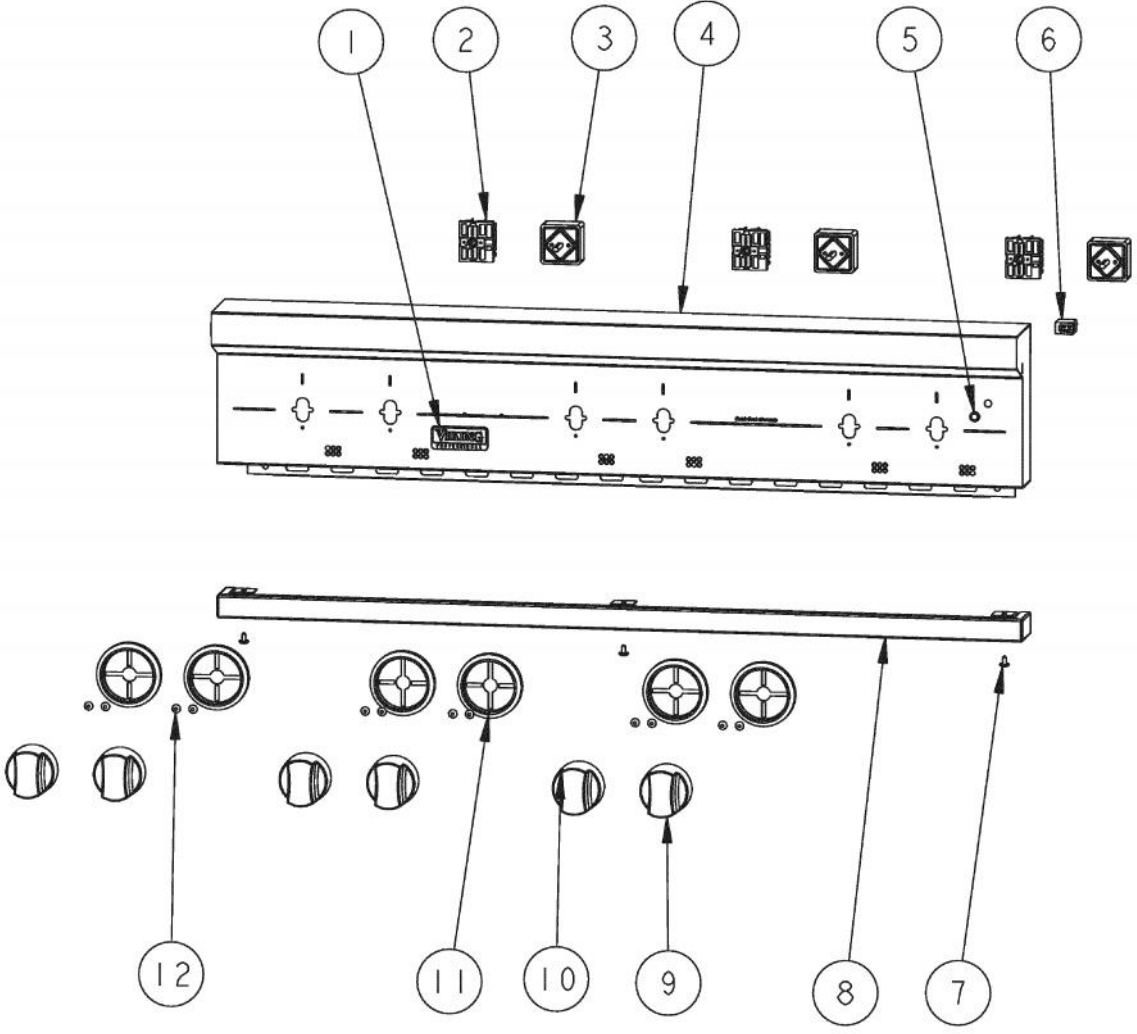
# VIKING VERT536-6B Owner's Manual

**[Shop genuine replacement parts for VIKING  
VERT536-6B](#)**

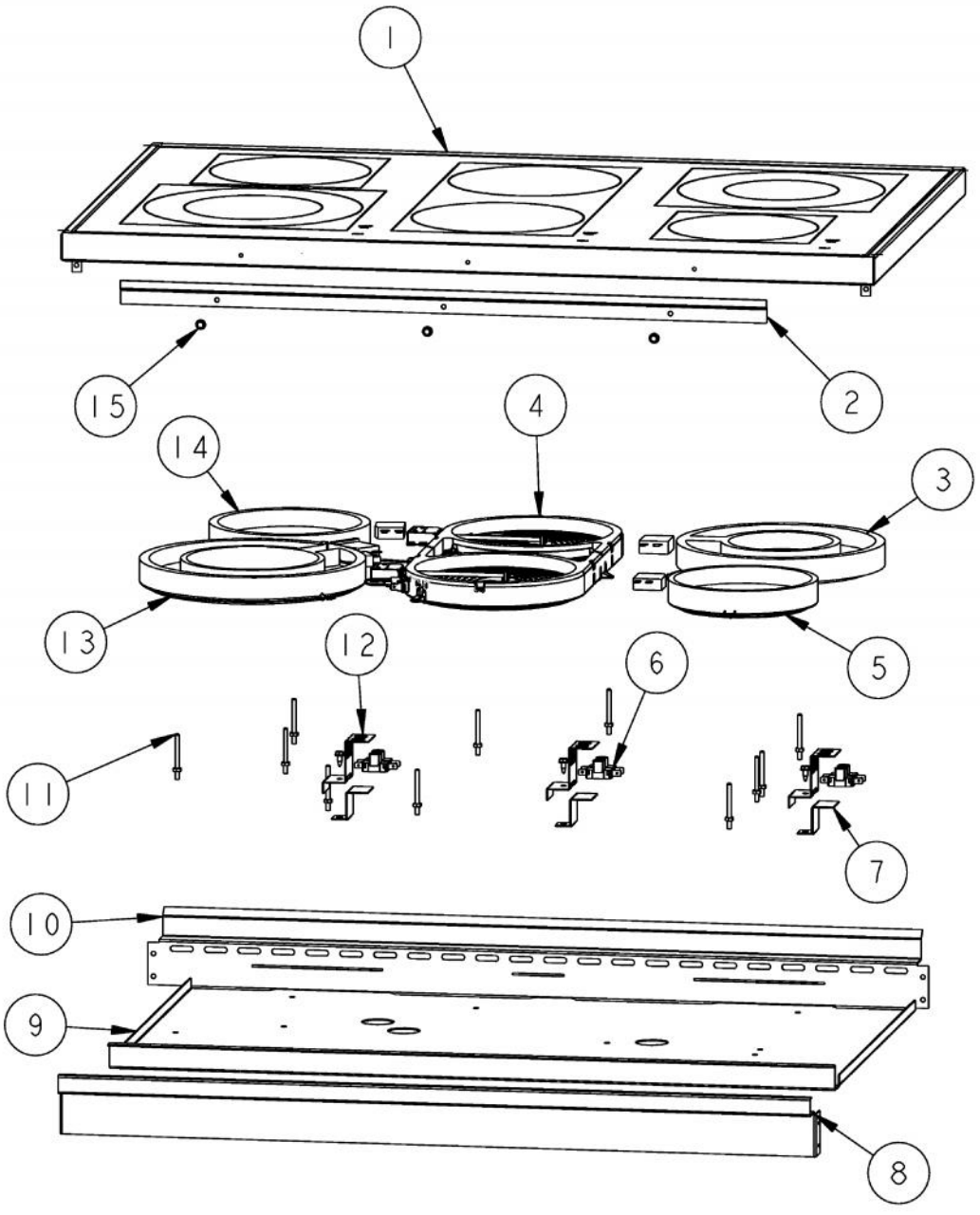


**[Find Your VIKING Range Hoods Parts - Select From 411 Models](#)**

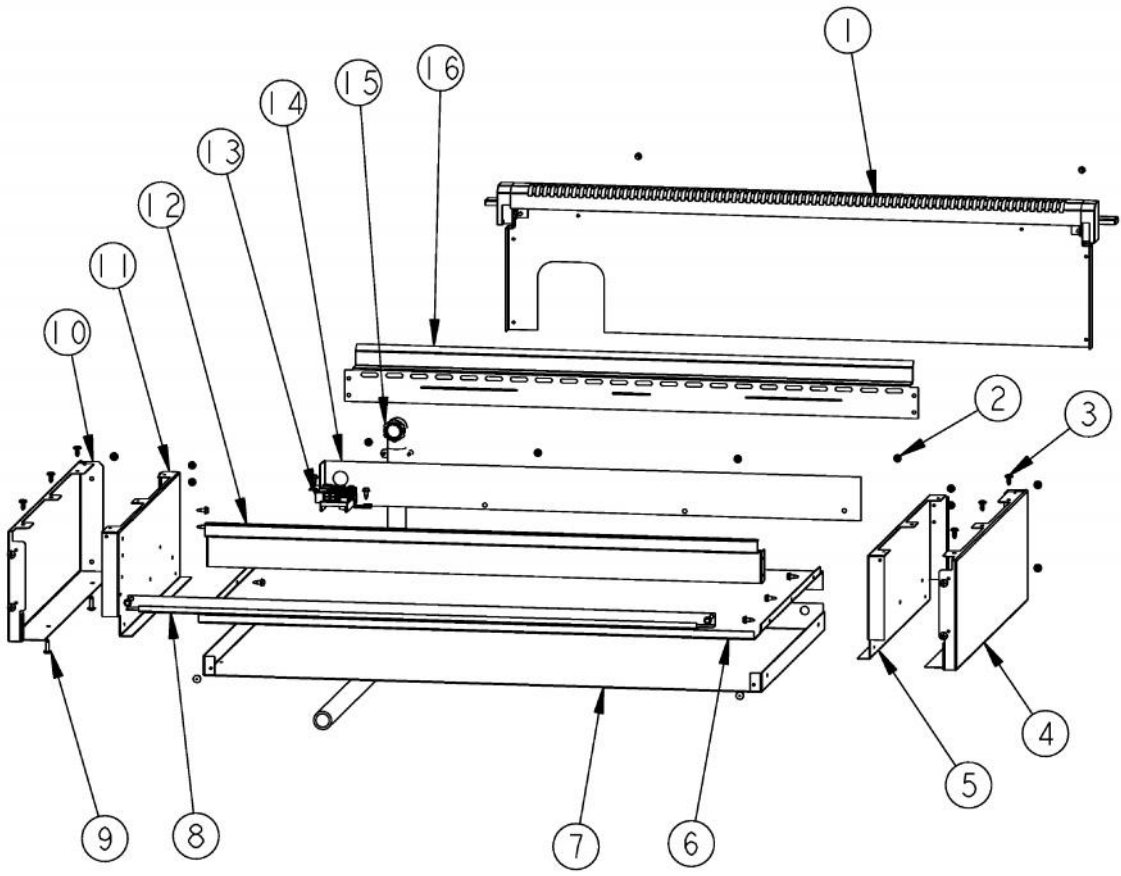
----- Manual continues below -----



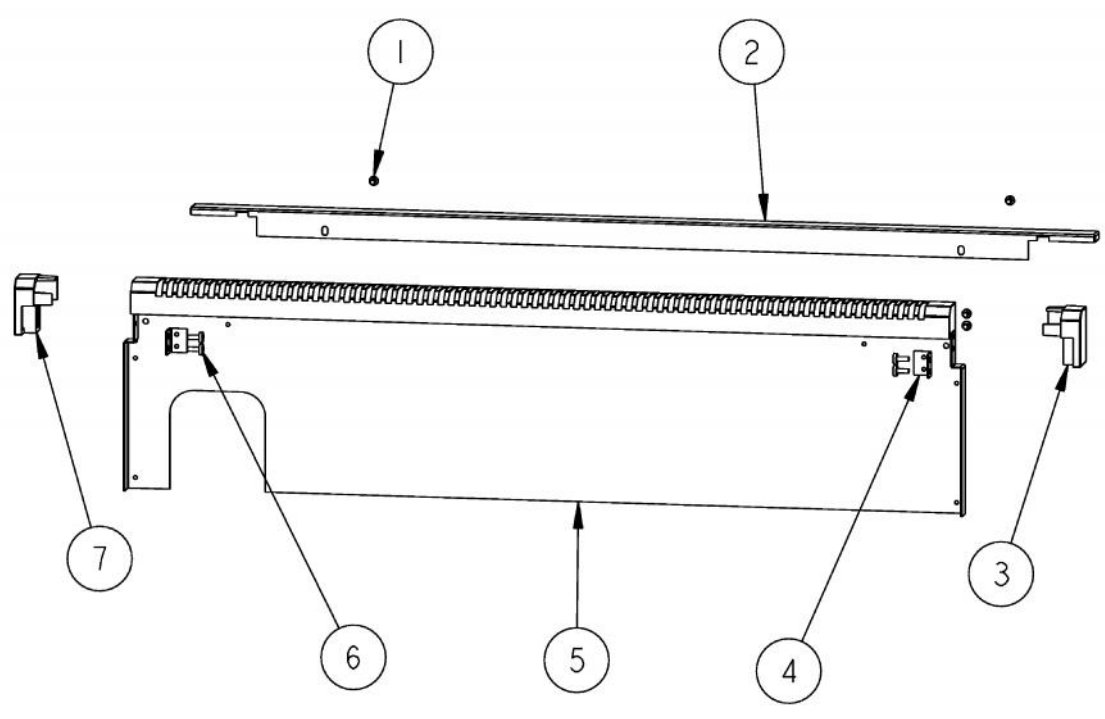
Ref #	Part Number	Qty.	Description
1	PE010142	1	3 LOGO XBKXXCHROME
	PE010144	1	3 LOGO XWHXCHROME
2	005966-000	3	SWITCH, DUAL, INF
3	PJ030007	3	INFINITE SWITCH
4	008106-000	1	CONTROL, IND, ASM, PANEL, VERT536
5	PE050023	1	OVEN IND. LIGHT (LENS & BEZEL)
6	PE050072	1	LENS OPENING (250 VOLT)
7	PD020032	3	SRW-8(A)X3/8PH.WFR HD 7/16DIAXNICL
8	011637-000	1	TRIM, ASM
9	005703-000	3	KNOB-SINGLE INFINITE SWITCH XBKX
	006102-000	3	SINGLE KNOB, WHITE
	007045-000	3	KNOB, SGL, ASM, INFINITE, PVD, NO.3, SSS
10	005569-000	3	KNOB-DUAL INFINITE SWITCH XBKX
	006103-000	3	DUAL KNOB, WHITE
	007046-000	3	KNOB, DUAL, ASM, INFINITE, PVD, NO.3, SSS
11	PB010304	6	KNOB BEZEL
12	PD020044	12	NO.8-32 X 1/4 PH. TR. HD. M.S.



Ref #	Part Number	Qty.	Description
1	008114-000	1	VERT536 GLASS ASM- BK
	0012104-000	1	GLASS ASSEMBLY - WH
2	006866-000	1	BRACKET, SPRT, FR
3	008146-000	1	2200 (750) W ELEMENT ASM
4	008134-000	1	4400W BRIDGE ELEMENT ASM
5	008147-000	1	1200W ELEMENT ASM
6	PE050077	6	INDICATOR LIGHT
7	009624-000	3	BRACKET, LT, SUPPORT
8	008105-000	1	SUPPORT, FR, VERT536
9	008103-000	1	MOUNT, ELEM, VERT536
10	008104-000	1	SUPPORT, BACK, VERT536
11	PD010148	11	ELEMENT STUD
12	008148-000	3	BRACKET, INDR, VERT
13	008132-000	1	2500 (1000) W ELEMENT ASM
14	008133-000	1	1500W ELEMENT ASM
15	003860-000	6	NO.10-18 X .500 FASTNR,SCR,HXWH,STL,ZPLT

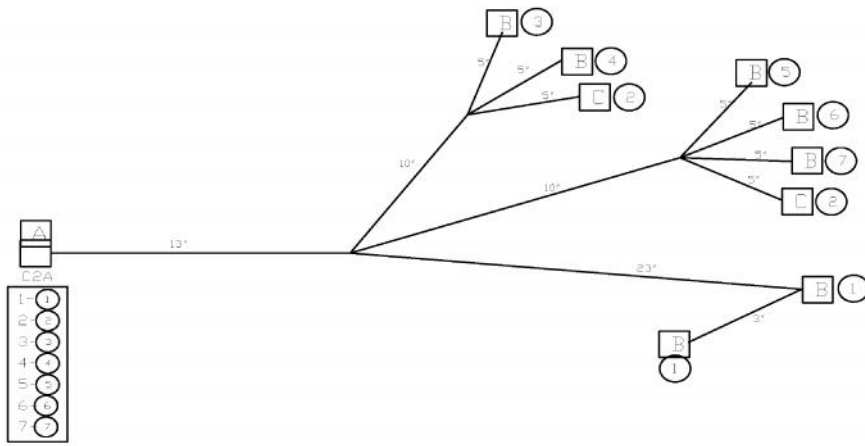


Ref #	Part Number	Qty.	Description
1	006900-000	1	ISLAND TRIM, ASM, 36 CUSTOM
2	003860-000	20	NO.10-18 X .500 FASTNR,SCR,HXWH,STL,ZPLT
3	003801-000	14	SHOULDER SCREW, NO.10
4	008100-000	1	PANEL, RH RANGETOP
5	002755-000	1	BURNER BOX SIDE, RH
6	008102-000	1	PANEL, BOT, VERT536
7	008099-000	1	PANEL, BOT, VERT536
8	008115-000	1	SHIELD, FR
9	PD020014	4	10X3/4 PH TR HD SMS
10	008101-000	1	PANEL, LH, RANGETOP
11	003481-000	1	BURNER BOX SIDE, LH
12	008105-000	1	SUPPORT, FR, VERT536
13	PE070147	1	TERMINAL BLOCK
14	008116-000	1	BRACKET, CNDT, VERT536
15	006613-000	1	CONDUIT CORD
16	008104-000	1	SUPPORT, BACK, VERT536



Ref #	Part Number	Qty.	Description
1	PD020055	6	NO.10 X 1/2 PAN PHIL. TEK. SS
2	006899-000	1	ISLAND TRIM BACK SUPT, 36 CUSTOM
3	PE030181	1	ISLAND TRIM ENDCAP RH
4	008820-000	2	ISLAND TRIM SUPT BRACKET, CUSTOM
5	006898-000	1	ISLAND TRIM, FRONT, 36 CUSTOM
6	PD020056	4	NO.10-24 X 1/2 PH.TR. M.S. SS
7	PE030182	1	ISLAND TRIM ENDCAP LH
No.	006900-000	1	ISLAND TRIM, ASM, 36 CUSTOM

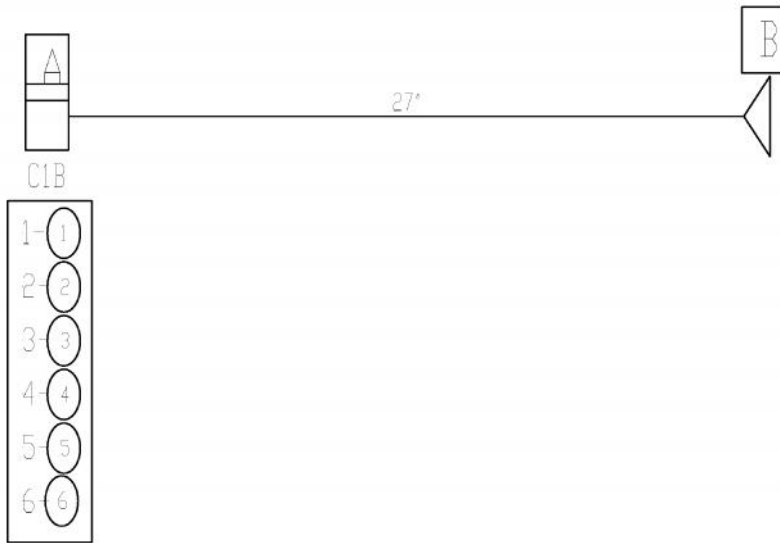
## 011832-000 ELEMENT HARNESS



WIRE #	GA	COLOR	TERMINALS	PRINT INDEX
1	18	BLACK	A 1-480706-0 (AMP 9 Pin Male)	○ WIRE NUMBER
2	18	RED	B 48219-1 (250 Steel Female)	□ TERMINAL
3	18	YELLOW	C 60621-1 (187 Steel Female)	
4	18	WHITE/RED		
5	18	WHITE		
6	18	VIOLET		
7	18	GREY		

Ref #	Part Number	Qty.	Description
1	011832-000	3	ELEMENT HARNESS

## 011833-000 POWER HARNESS



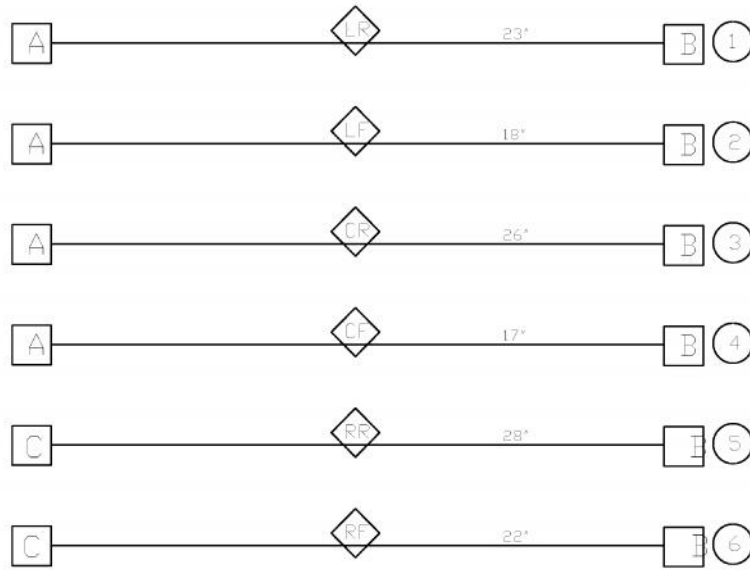
WIRE #	GA	COLOR	TERMINALS		PRINT INDEX	
1	14	BLACK	A	1-480705-0 (AMP 6 pin)	<input type="checkbox"/>	WIRE NUMBER
2	14	BLACK	B	3-520140-2 (250 Ins)	<input type="checkbox"/>	TERMINAL
3	14	BLACK				
4	14	RED				
5	14	RED				
6	14	RED				

<u>Ref #</u>	<u>Part Number</u>	<u>Qty.</u>	<u>Description</u>
1	011833-000	1	POWER HARNESS



<u>Ref #</u>	<u>Part Number</u>	<u>Qty.</u>	<u>Description</u>
1	011834-000	1	CONTROL PANEL HARNESS

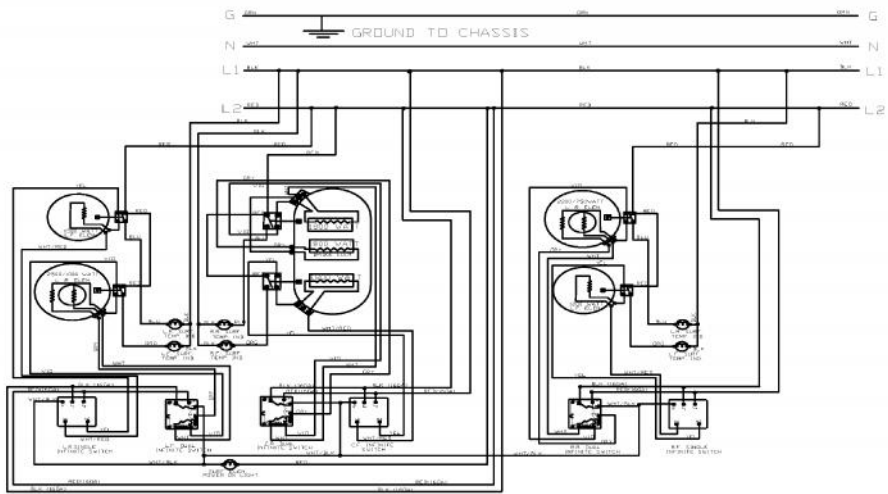
## 011835-000 JUMPER LIGHT HARNESS



WIRE			TERMINALS		PRINT INDEX	
#	GA	COLOR			Symbol	Description
1	18	GREEN	A	-42219-1 (.187 Steel Female)	○	WIRE NUMBER
2	18	BLUE	B	60621-1 (.250 Steel Female)	□	TERMINAL
3	18	ORANGE	C	Insulated .250 Female Plug	◇	WIRE LABEL
4	18	BROWN				
5	18	WHITE/VIOLET				
6	18	YELLOW/ORANGE				

Ref #	Part Number	Qty.	Description
1	011835-000	1	JUMPER LIGHT HARNESS

# VERT536-6B WIRING DIAGRAM



FOR CONNECTION TO THE FACTORY INSTALLED TERMINAL  
BLOCK USE COPPER OR ALUMINUM CONDUCTORS

**WARNING**— THIS UNIT MUST BE GROUNDED.  
SEE INSTALLATION INSTRUCTIONS FOR PROPER  
GROUNDING PROCEDURES.

### CAUTION—

LABEL ALL WIRES PRIOR TO DISCONNECTION WHEN  
SERVICING CONTROLWIRING ERRORS CAN CAUSE  
IMPROPER AND DANGEROUS OPERATION.  
VERIFY PROPER OPERATION AFTER SERVICING.

010579-000  
NOTE: TO BE PRINTED WITH BLACK INK  
ON 11" X 17" NON ADHESIVE PAPER

010579-200  
NOTE: TO BE PRINTED WITH BLACK DUPLO SD24L INK  
MATERIAL: IMPACT PERMANENT ADHESIVE  
60 LB OFFSET WHITE

Ref #	Part Number	Qty.	Description
1	010579-000	1	WIRING SCHEMATIC NON-ADHESIVE