

This Owner's Manual is provided and hosted by [Appliance Factory Parts](#).



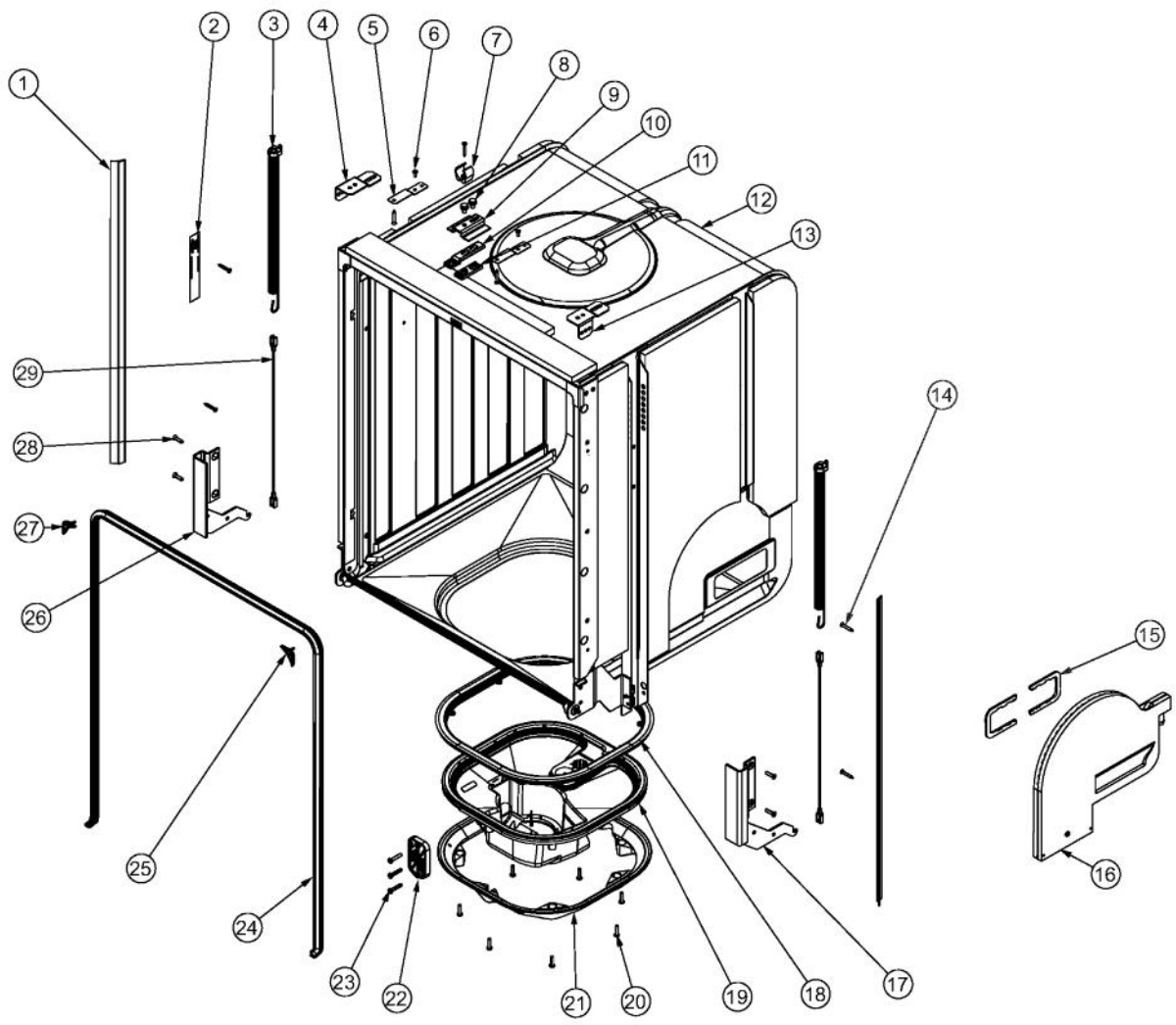
VIKING VDB325E_1 Owner's Manual

[Shop genuine replacement parts for VIKING
VDB325E_1](#)

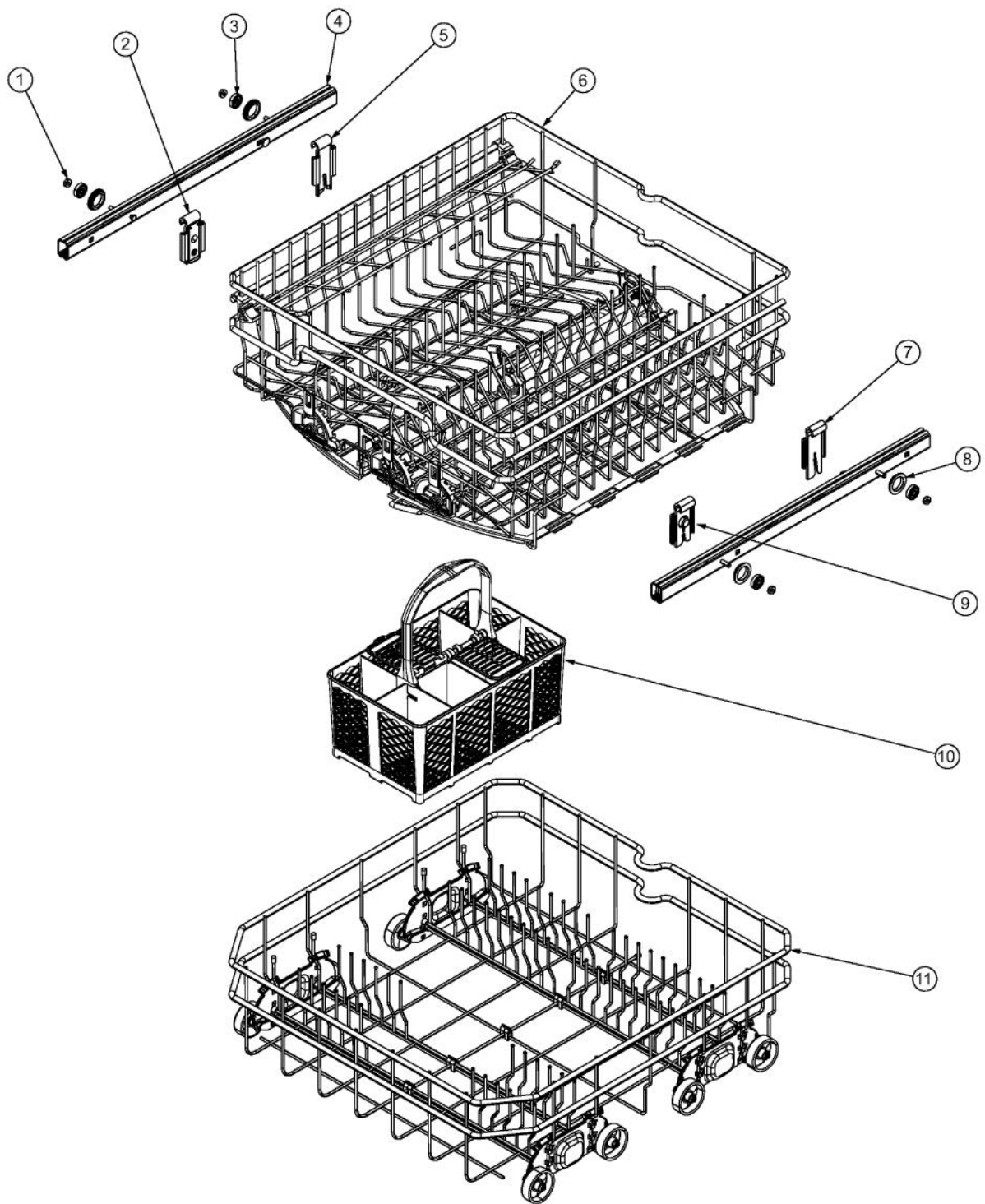


[Find Your VIKING Dishwasher Parts - Select From 36 Models](#)

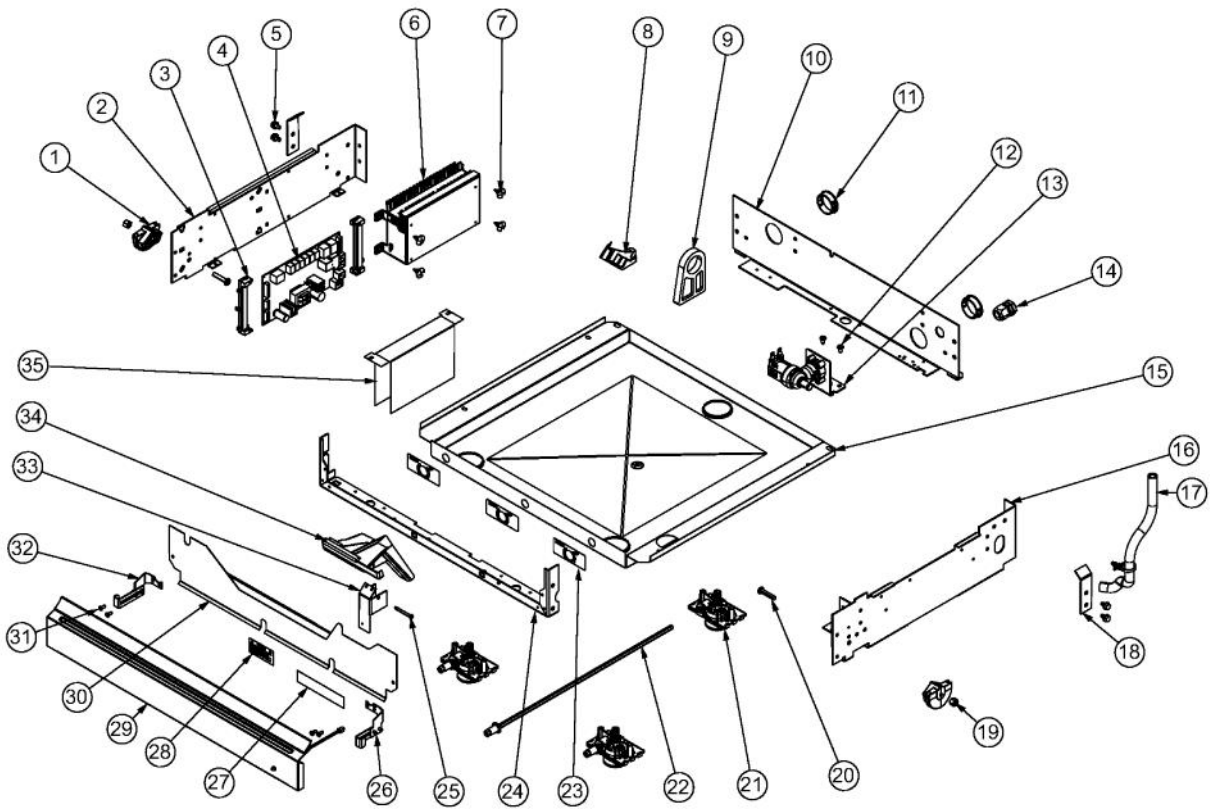
----- Manual continues below -----



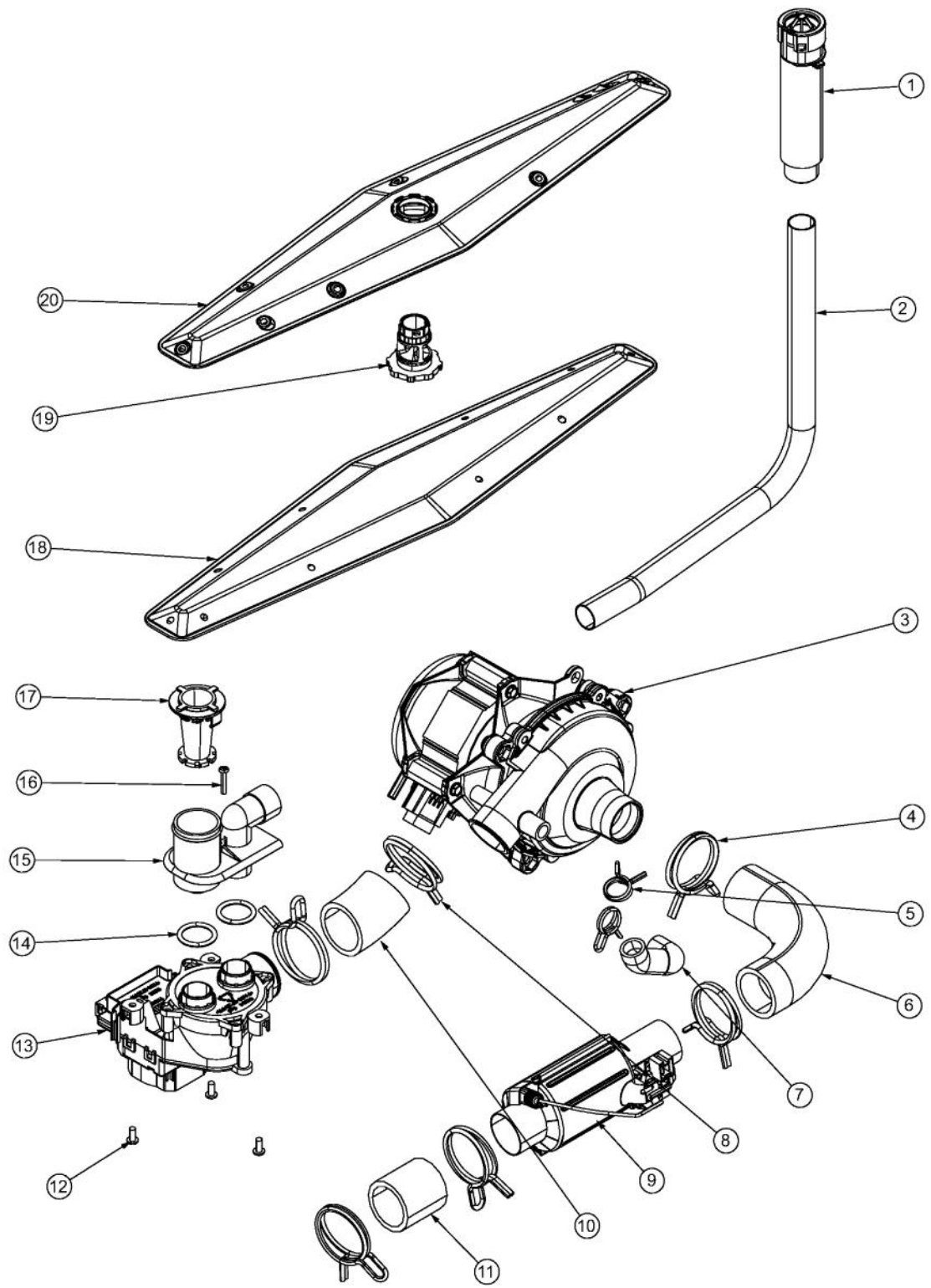
Ref #	Part Number	Qty.	Description
1	013449-000	1	EDGING, MOUNTING TRIM, 325
2	NON-SERVICEABLE	1	TUB WELDMENT
3	002298-000	2	DAMPENER ASSEMBLY, DOOR
4	016599-000	1	BRACKET, MTG, TOP , LEFT
5	000572-000	2	CLIP, MTG
6	PD020249	2	SCREW, NO.8-18 X 3/8, TYPE B, TORX, PAN HEAD, ZINC, BL...
7	002547-000	1	BRACKET, FLEX MTG
8	PD010019	2	BLT-1/4-20X3/8HEX WASHER SERATED
9	NON-SERVICEABLE	1	TUB WELDMENT
10	NON-SERVICEABLE	1	TUB WELDMENT
11	NON-SERVICEABLE	1	TUB WELDMENT
12	NON-SERVICEABLE	1	TUB WELDMENT
13	016606-000	1	BRACKET, MTG, TOP, CTR, R
14	001470-000	7	SCREW; NO.8, 18-8SS, FLAT HEAD, TORX, WOOD
15	PK830276	2	LOCK, AIR & WATER INLET
16	019978-000	1	AIR & WATER INLET ASSY- 325 MODELS
17	C93813632	1	HINGE, DOOR RIGHT PLATED
18	NON-SERVICEABLE	1	TUB WELDMENT
19	NON-SERVICEABLE	1	TUB WELDMENT
20	PD020253	7	SCREW; NO.10 16X.75, 304SS, PLASTITE, PAN, TORX
21	NON-SERVICEABLE	1	TUB WELDMENT
22	NON-SERVICEABLE	1	TUB WELDMENT
23	NON-SERVICEABLE	3	TUB WELDMENT
24	NON-SERVICEABLE	1	TUB WELDMENT
25	NON-SERVICEABLE	1	TUB WELDMENT
26	C93813631	1	HINGE, DOOR LEFT PLATED
27	NON-SERVICEABLE	1	TUB WELDMENT
28	PD020263	4	SCREW; 10-32 X 5/8 TORX, FLAT HD, MACHINE, 18-8SS
29	PM810487	2	DOOR DAMPENER CABLE



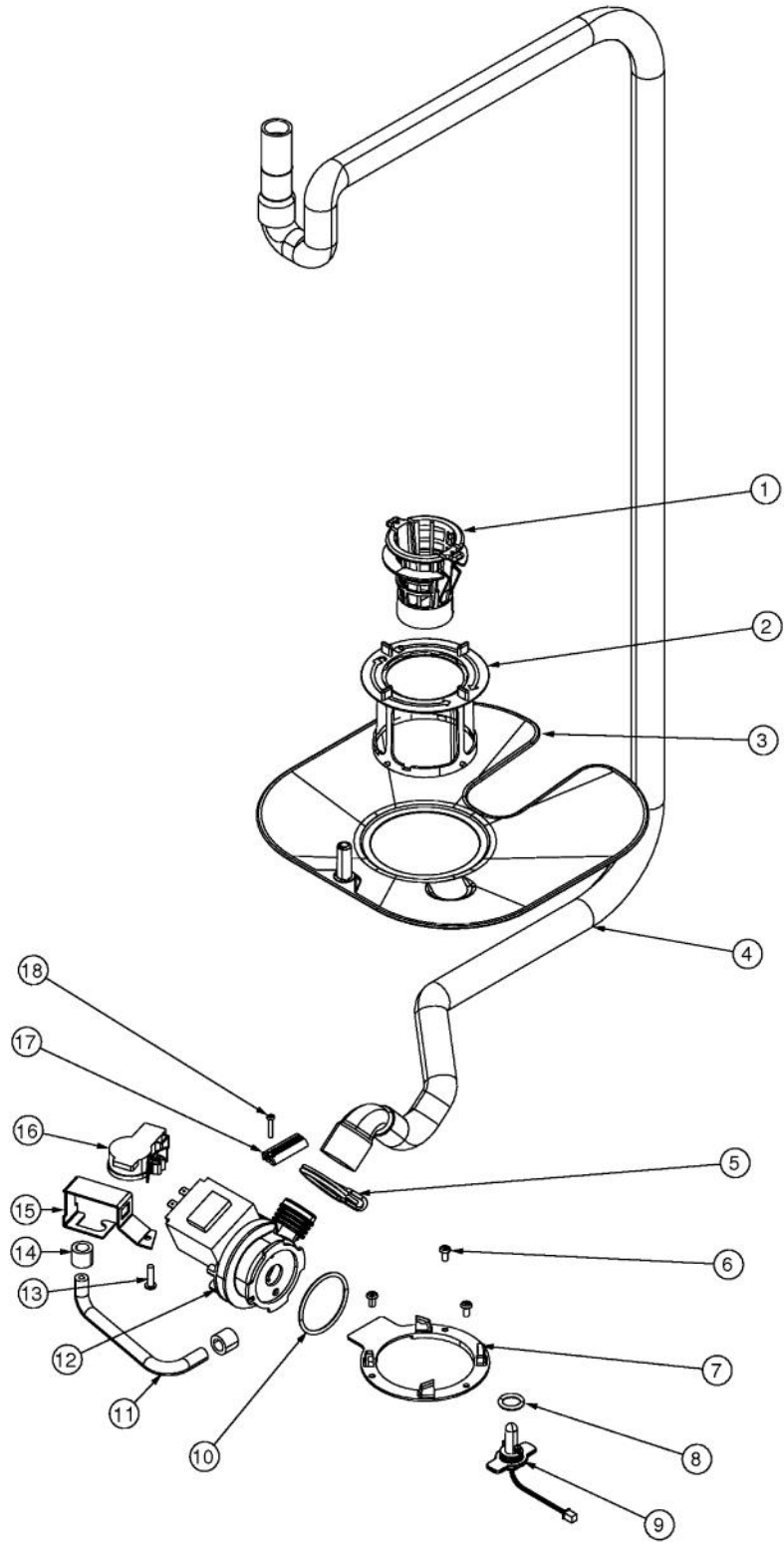
Ref #	Part Number	Qty.	Description
1	PD030156	4	NUT, W/TOOTHWASHER, ZINC, 10-32
2	005044-000	1	CLIP, RACK SLIDE-LEFT FRONT
3	PK030448	4	RACK SLIDE SPACER
4	005334-000	2	SLIDE, RACK
5	005039-000	1	CLIP, RACK SLIDE-LEFT REAR
6	013333-000	1	ULTRA PREMIUM UPPER RACK ASSEMBLY 325
7	006403-000	1	CLIP, RACK SLIDE-RIGHT REAR
8	PK030536	4	SLEEVE, SPACER
9	006404-000	1	CLIP, RACK SLIDE-RIGHT FRONT
10	G5088896	1	SILVERWARE BASKET ASSEMBLY
11	013345-000	1	LOWER RACK ASSEMBLY- 325/200/201



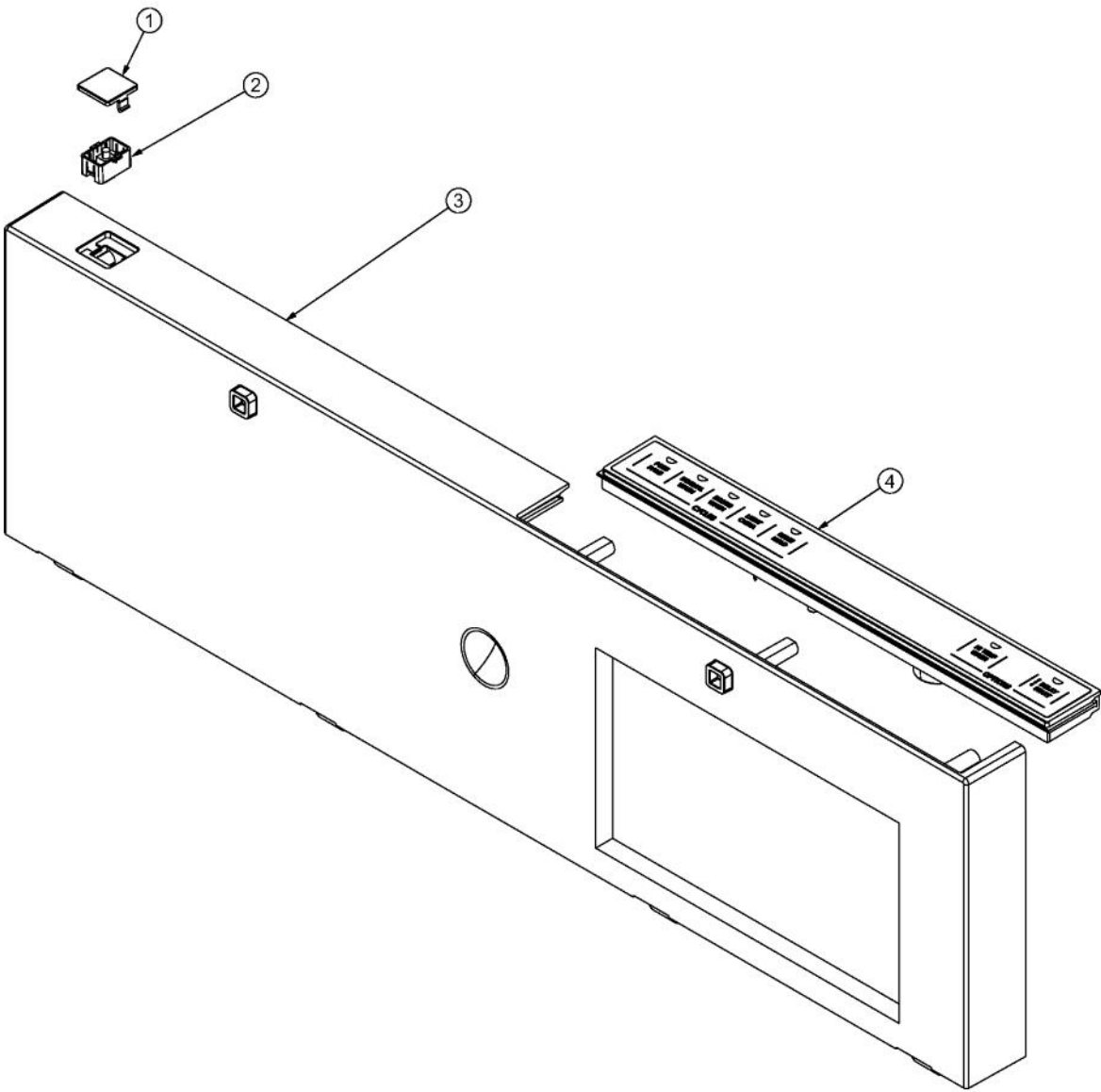
Ref #	Part Number	Qty.	Description
1	PM810488	2	DOOR DAMPENER PULLEY
2	023528-000	1	BASE, LEFT
3	PK030541	1	MOUNT, MACHINE CONTROLLER
4	023931-000	1	CONTROLLER, MACHINE, DISHWASHER
5	PD020255	4	1/4-20 X 3/8 HEX WSHR THD CUT ZINC
6	PE850191	1	ELECTRONIC MOTOR SPEED CONTROL MODULE
7	PC040020	4	NYLON TREE PUSH-IN RIVETS
8	000380-000	1	SUPPORT, MOTOR
9	000370-000	1	MOUNT, MOTOR
10	023516-000	1	BASE, REAR
11	PD040163	2	BUSHING, POWER CORD
12	PD020250	2	SCREW; NO.10-32 X 3/8 TORX, PAN, ZINC, TYPE F
13	012180-000	1	VALVE, WATER, SINGLE SOLENOID
14	PE070209	1	STRAIN RELIEF
15	023489-000	1	PAN, BASE, BOTTOM
16	019005-000	1	RIGHT, SIDE BASE ASSY
17	023731-000	1	HOSE, 13.5 INLET VALVE TO AIR & WATER INLET
18	K2088871	2	CLAMP, TUB REAR
19	PD030179	2	1/4-20 HEX NYLON INSERT LOCK NUT
20	PD020265	2	1/4-20 X 1 1/4 TORX PAN HD MACHINE SCREW
21	G5088830	3	LEG LEVELING SYSTEM ASSEMBLY
22	PM810495	1	HEX BAR
23	PF031283	3	LABEL, LEVELING ARROWS
24	023534-000	1	BASE, FRONT
25	PD020215	1	SCREW, TYPE F, PAN, TORX, ZINC, 8-32 X 1.5, BLUNT
26	010851-000	1	BRACKET, ADJUSTABLE TOE KICK, RIGHT, ASSY
27	008797-000	1	LABEL, CAUTION, LEVELING LEG FEET
28	PF031188	1	WARNING DECAL
29	010984-000	1	PLATE, KICK, ASSY
30	024793-000	1	FRONT PANEL BRKT ASSY 325/450
31	PD020249	4	SCREW, NO.8-18 X 3/8, TYPE B, TORX, PAN HEAD, ZINC, BL...
32	010850-000	1	BRACKET, ADJUSTABLE TOE KICK, LEFT, ASSY
33	024110-000	1	BRACKET, OVERFLOW, MOUNTING
34	008560-000	1	CHANNEL, OVERFLOW
35	PB070338	1	SHIELD, DIELECTRIC
NI	PE050229	1	FLOOD SENSOR



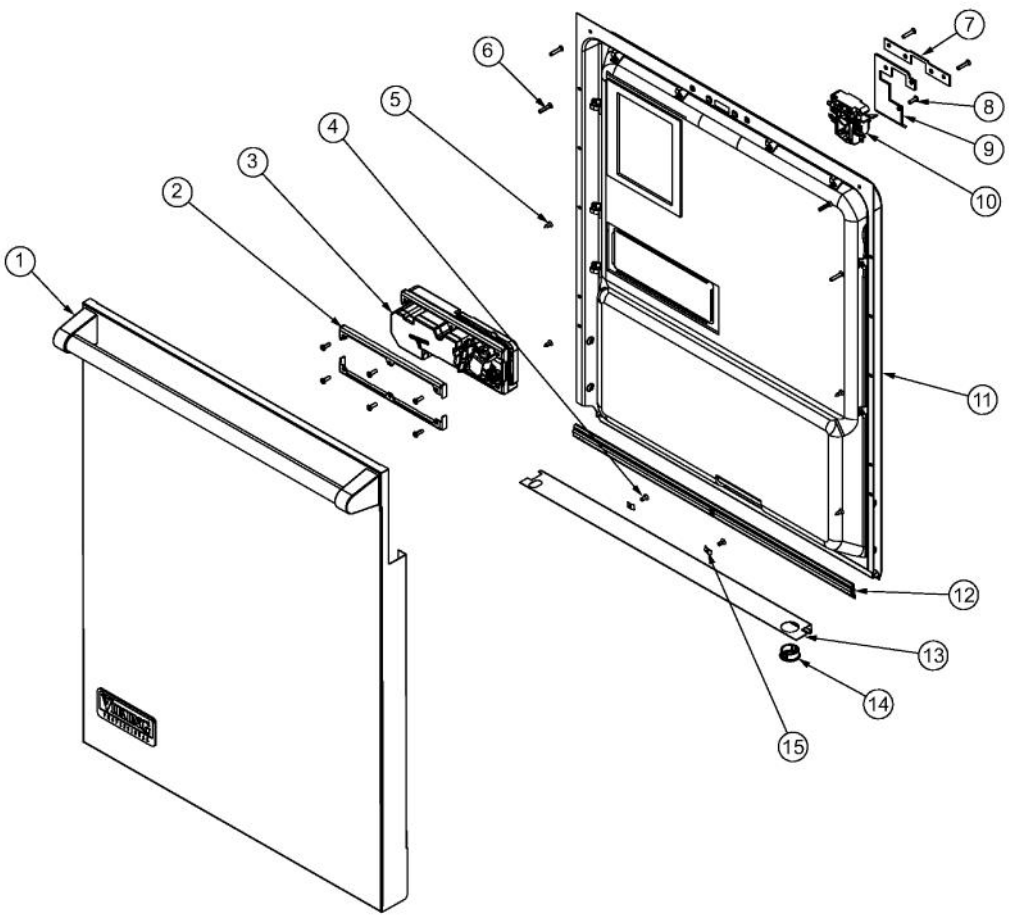
Ref #	Part Number	Qty.	Description
1	004062-000	1	REAR PORT ASSEMBLY
2	F2088867	1	CONDUIT, LOWER
3	019589-000	1	PUMP & MOTOR ASSEMBLY
4	PD030163	4	CLAMP, WIRE HOSE
5	PD030165	2	CLAMP, WIRE, HOSE
6	PB020262	1	HOSE, HEATER TO PUMP
7	PB020264	1	HOSE, PUMP TO PERIMETER SPRAYER
8	002283-000	2	CLAMP, DOUBLE WIRE, HOSE
9	016403-000	1	HEATER, FLOW THRU, 1200 WATT
10	PB020263	1	HOSE, PUMP TO DIVERTER VALVE
11	PB020261	1	HOSE, SUMP TO HEATER
12	PD020262	3	SCREW, 8-14X3/8 TORX, PAN HEAD, PLASTITE, 304 SS
13	PA810147	1	DIVERTER VALVE
NI	040626-000	1	DIVERTER VALVE KIT
14	PB870194	2	O-RING, DIVERTER VALVE
15	PM810359	1	VENTURI PLATE
16	PD020245	1	SCREW, NO.6-19 X 3/4 TORX, PAN HEAD, PLASTITE, 304SS
17	PK830260	1	LOWER SPRAY ARM VENTURI SPINDLE
18	G2188882	1	LOWER SPRAY ARM, ASSEMBLY
19	PK830375	1	MIDDLE SPRAY ARM LOCK NUT, 1/4 TURN
20	G2188879	1	MIDDLE SPRAY ARM, ASSEMBLY



Ref #	Part Number	Qty.	Description
1	PB880032	1	TRAP, GLASS
2	G5088865	1	FINE FILTER ASSEMBLY
3	019381-000	1	FILTER, PRIMARY ASSY
4	PB820205	1	HOSE, DRAIN
5	PD030164	1	CLAMP, DOUBLE WIRE, HOSE, .126
6	009039-000	3	SCREW, NO.10 X 3/8 PHIL PAN HD PLASTITE 18-8 PASSIVAT...
7	PD830110	1	FILTER LOCKING PLATE
9	003457-000	1	SENSOR, TEMPERATURE ASSY
10	PB870195	1	O-RING, DRAIN PUMP
11	015785-000	1	TUBE, PRESSURE SENSOR
12	013309-000	1	PUMP. DR, 20MM, ASSY
13	PD020253	1	SCREW; NO.10 16X.75, 304SS, PLASTITE, PAN, TORX
14	012197-000	2	BARBLOCK, PRESSURE SENSOR
15	006985-000	1	BRACKET, PRESSURE SENSOR
16	PD160016	1	PRESSURE SENSOR (8073839)
17	PK830239	1	DRAIN FILTER
18	PD020245	1	SCREW, NO.6-19 X 3/4 TORX, PAN HEAD, PLASTITE, 304SS



Ref #	Part Number	Qty.	Description
1	002702-000	1	BUTTON, START
2	PE050225	1	MAIN POWER SWITCH
3	013214-000	1	CONSOLE, ELECTRONIC CONTROL, 325
4	024730-000	1	INTERFACE, USER, 325E ASSY
NI	028686-000	1	325 SERIES START SWITCH AND COVER KIT



Ref #	Part Number	Qty.	Description
1	019560-000	1	DOOR, SKIN, INTEGRATED, PRO SS
2	PK050002	1	BRACKET, SOAP/RINSE-AID DISPENSER
3	PM810482	1	DETERGENT/RINSE AID DISPENSER
4	002550-000	2	TINNERMAN NUT
5	PD020264	4	SCREW, 8-18 X 3/8, TORX, FLAT HEAD, 304 SS, TYPE AB
6	PD020211	6	SCREW, PLASTITE, FLAT HEAD, TORX, 304SS, 8-16 X 0.75
7	019464-000	1	SPACER, DOOR LATCH
8	008987-000	7	SCREW, NO.8 X 1/2 PAN TORX ZINC HIGH-LOW
9	000870-000	1	LATCH, BRACKET
10	013380-000	1	DOOR LATCH
11	025031-000	1	DOOR, INNER W BITUMEN 325
12	PB870230	1	SEAL, DOOR LOWER
13	013743-000	1	BRACKET, DOOR, INNER, 325
14	009899-000	1	BUSHING, ENCLOSURE, HEATER, HEYCO SB-1.00-12
15	003655-000	2	NO.8-32 X 1/4 FLAT 18-8 PASSIVATED MACHINE TORX

*No Image
Available*

Ref #	Part Number	Qty.	Description
NI	021095-000	1	HIGH VOLTAGE HARNESS

*No Image
Available*

<u>Ref #</u>	<u>Part Number</u>	<u>Qty.</u>	<u>Description</u>
NI	023569-000	1	HARNESS, LV BASE

*No Image
Available*

Ref #	Part Number	Qty.	Description
NI	PK030170	6	RETAINER, HARNESS
NI	001796-000	6	RETAINER, HARNESS

*No Image
Available*

Ref #	Part Number	Qty.	Description
NI	PK030170	1	RETAINER, HARNESS

*No Image
Available*

Ref #	Part Number	Qty.	Description
NI	023559-000	1	DOOR HARNESS