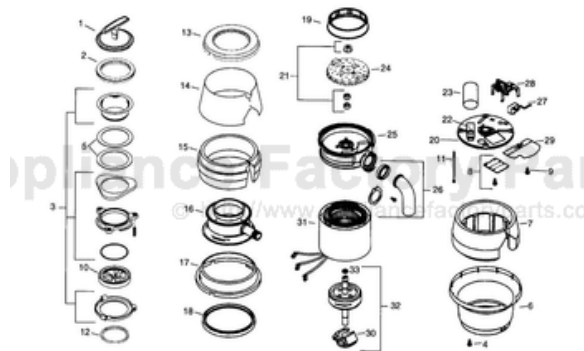


This Owner's Manual is provided and hosted by [Appliance Factory Parts](#).



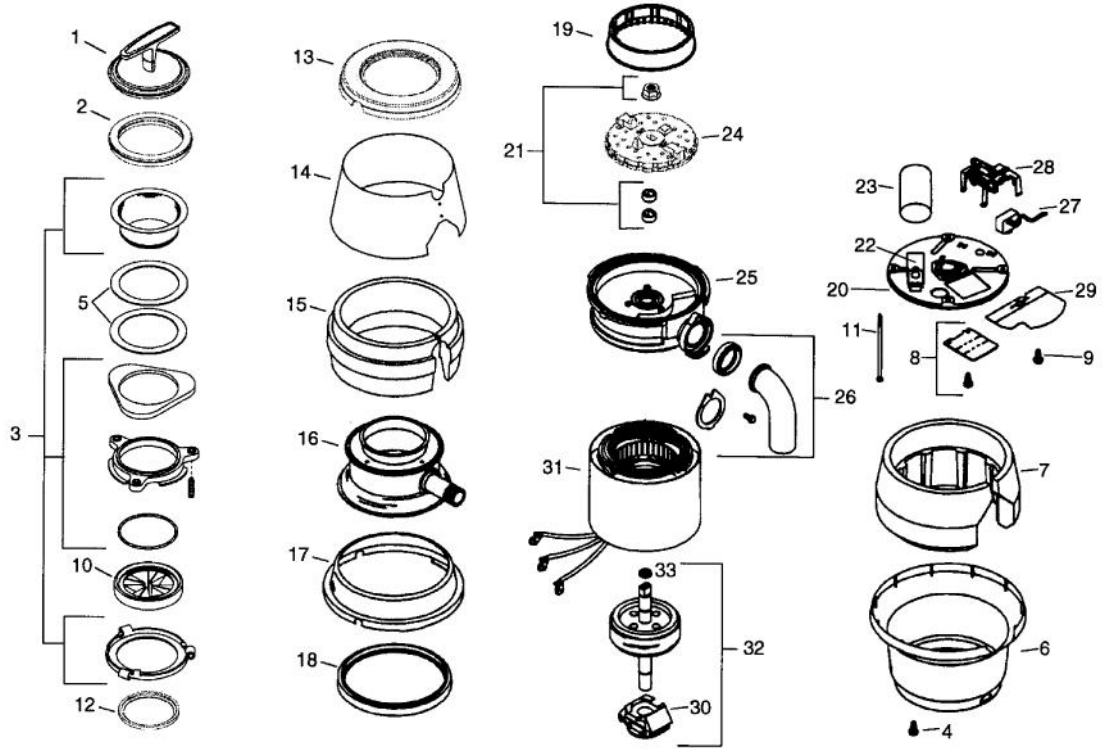
VIKING VCFW750 Owner's Manual

[Shop genuine replacement parts for VIKING VCFW750](#)



[Find Your VIKING Disposal Parts - Select From 12 Models](#)

----- Manual continues below -----



| Ref # | Part Number | Qty. | Description |
|-------|-------------|------|--------------------------------------|
| 1 | PP100023 | | STOPPER ASSEMBLY (INC. GASKET) 74272 |
| 2 | PP100024 | | STOPPER GASKET (05029) |
| 3 | PP100025 | | MOUNTING ASSEMBLY (03173EY) |
| 4 | PP100055 | | SCREW (70734) |
| 5 | PP100026 | | GASKET (08763) |
| 6 | PP100054 | | TRIM SHELL ASSEMBLY (74316ZZ) |
| 7 | PP100053 | | BOTTOM INSULATION (08834) |
| 8 | PP100052 | | TERMINAL COVER KIT (72647A) |
| 9 | PP100051 | | GROUND SCREW (02466A) |
| 10 | PP100027 | | MOUNTING GASKET (01010A) |
| 11 | PP100050 | | THRU BOLT (02486A) |
| 12 | PP100028 | | GASKET (05299) |
| 13 | PP100029 | | TRIM COVER (74143) |
| 14 | PP100030 | | TRIM BAND (08799) |
| 15 | PP100031 | | TOP INSULATION (08835) |
| 16 | PP100032 | | BODY CONTAINER ASSEMBLY (03559U) |
| 17 | PP100033 | | CLAMPING RING (01225D) |
| 18 | PP100034 | | BODY CONTAINER GASKET (04395) |
| 19 | PP100035 | | STATIONARY SHREDDER (74497A) |
| 20 | PP100049 | | LOWER END FRAME ASSEMBLY (73390ZZ) |
| 21 | PP100036 | | SLEEVE AND SEAL KIT (74372) |
| 22 | PP100048 | | CAPACITOR CLIP (71425) |
| 23 | PP100047 | | CAPACITOR (05861) |
| 24 | PP100037 | | ROTATING SHREDDER (74693) |
| 25 | PP100038 | | UPPER END BELT (09209AA) |
| 26 | PP100039 | | INSTALLATION KIT (02610WL) |
| 27 | PP100046 | | OVERLOAD PROTECTOR (02267CHZZ) |
| 28 | PP100045 | | START SWITCH (70360) |
| 29 | PP100044 | | WIRE SHIELD (04134) |
| 30 | PP100043 | | CENTRIFUGAL SWITCH (02467) |
| 31 | PP100040 | | STATOR ASSEMBLY (08630C) |
| 32 | PP100041 | | SHAFT ASSEMBLY (74356) |
| 33 | PP100042 | | WASHER (02642) |
| NI | 019307-000 | | STOPPER, VIKING COVER CONTROL |