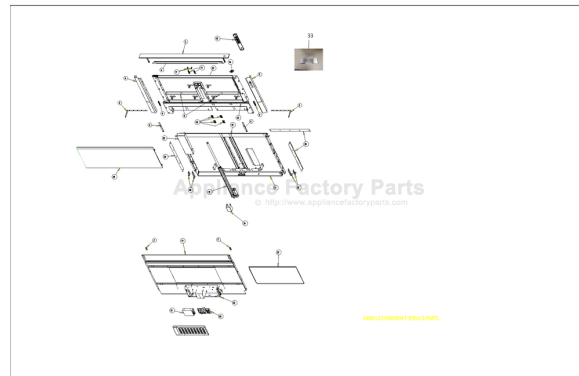


This Owner's Manual is provided and hosted by [Appliance Factory Parts](http://www.appliancefactoryparts.com).



VIKING VDDDB5360 Owner's Manual

[Shop genuine replacement parts for VIKING VDDDB5360](#)



[Find Your VIKING Oven Parts - Select From 98 Models](#)

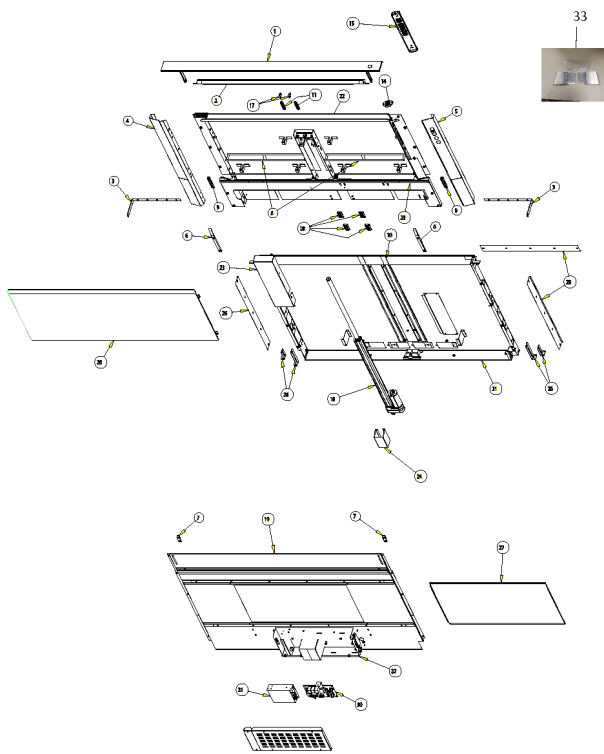
----- Manual continues below -----

VDD5360 DOWNDRAFT

Parts Breakdown

VDD5360 Downdraft	1
Appendix A:Pages Index	A
Appendix B:Parts Index	B

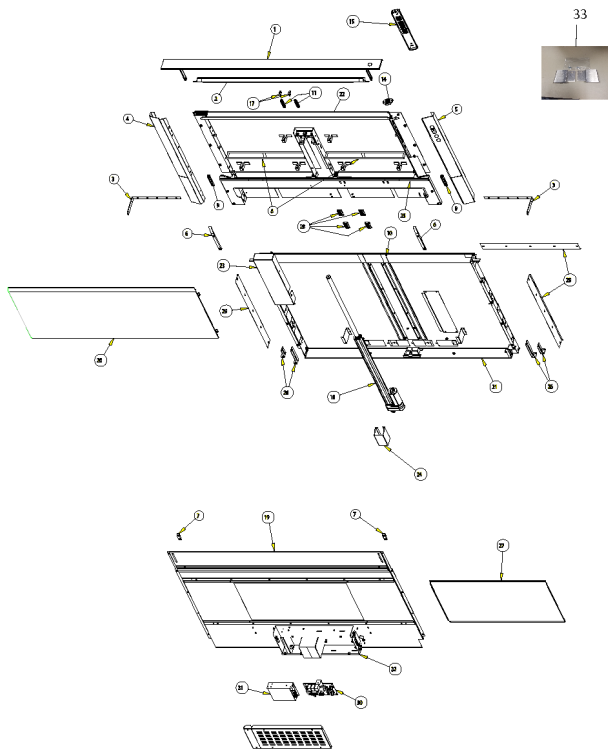
VDD5360 Downdraft



VIKING DOWNDRAFT SERVICE PARTS



Item	Part No.	Name	Qty	Uom	NOTES
1	053460-000	Top Cover	1	EA	
2	053464-000	LED Light Bar	1	EA	
3	053467-000	Angle Brackets	2	EA	
4	053468-000	LH End Cap	1	EA	
5	053469-000	RH End Cap	1	EA	
6	053470-000	Chimney Plastic Slides	2	EA	
7	053471-000	Airbox Plastic Ramps	2	EA	
8	053473-000	Filters	2	EA	
9	053476-000	Spacers	2	EA	
10	053477-000	Slide Strips	2	EA	Not available online / Call for pricing and availability
11	053478-000	Springs	2	EA	Not available online / Call for pricing and availability
NI	053479-000	Wire Harness - Airbox	1	EA	
NI	053480-000	Wire Harness -Up/Down Button	1	EA	
14	053481-000	Up/Down Button	1	EA	
15	053482-000	User Interface	1	EA	
16	053483-000	Linear Actuator	1	EA	
17	053484-000	Limit Switch Assy. (NOT FIELD SERVICEABLE)	2	EA	
NI	053485-000	Heat Sentry Assy.		EA	Not available online / Call for pricing and availability
19	053487-000	Airbox Front	1	EA	Not available online / Call for pricing and availability
20	053491-000	Chimney Grille Assy.	1	EA	
21	053495-000	Airbox Assy.	1	EA	Not available online / Call for pricing and availability
22	053499-000	Chimney Assy.	1	EA	Not available online / Call for pricing and availability
23	053502-000	Lift Guide Cover	1	EA	



VIKING DOWNDRAFT SERVICE PARTS



Item	Part No.	Name	Qty	Uom	NOTES
24	053503-000	Actuator Support Bracket	1	EA	
25	053505-000	Foam Seal	1	EA	
26	053508-000	Airbox Adjustment Legs	4	EA	
27	053509-000	Airbox Hole Cover	1	EA	Not available online / Call for pricing and availability
28	053510-000	Lift Guide Pucks (includes tool)	4	EA	
29	053511-000	Vent Covers	3	EA	
30	053512-000	Main PCB	1	EA	
31	053513-000	Power Supply	1	EA	
32	053514-000	Electrical Box Assy.	1	EA	
NI	053515-000	Hardware Bag	1	EA	
33	057302-000	SRV TRIM ENDCAPS AND HARDWARE	1	EA	
NI	057303-000	SRV FILTER BRACKETS W/O MAGNETS	2	EA	
NI	057304-000	SRV FILTER BRACKETS W/ MAGNETS	2	EA	Not available online / Call for pricing and availability
NI	056071-000	EMI Filter	1	EA	



Appendix A:Pages Index

VDD5360 Downdraft 1



Appendix B:Parts Index

053460-000 1
053464-000 1
053467-000 1
053468-000 1
053469-000 1
053470-000 1
053471-000 1
053473-000 1
053476-000 1
053477-000 1
053478-000 1
053479-000 1
053480-000 1
053481-000 1
053482-000 1
053483-000 1
053484-000 1
053485-000 1
053487-000 1
053491-000 1
053495-000 1
053499-000 1
053502-000 1
053503-000 1
053505-000 1
053508-000 1
053509-000 1
053510-000 1
053511-000 1
053512-000 1
053513-000 1
053514-000 1
053515-000 1
056071-000 1
057302-000 1
057303-000 1
057304-000 1