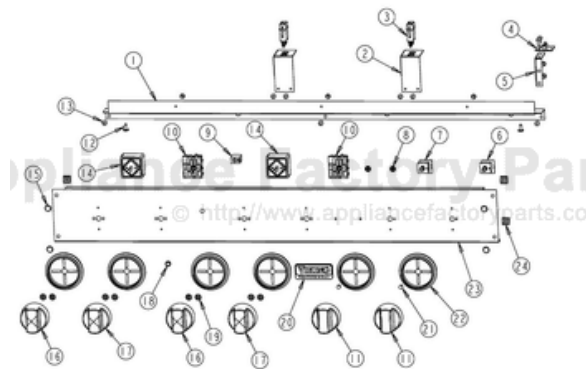


This Owner's Manual is provided and hosted by [Appliance Factory Parts](http://www.appliancefactoryparts.com).



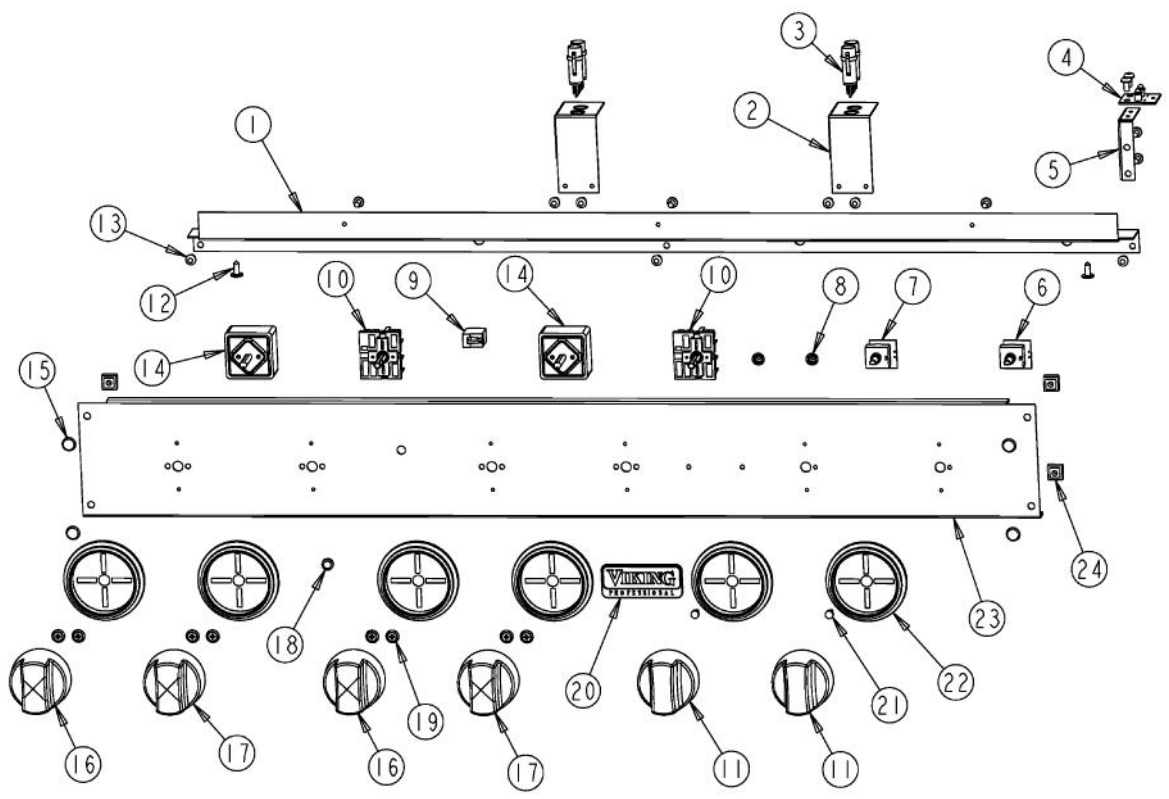
VIKING VCRT361 Owner's Manual

[Shop genuine replacement parts for VIKING VCRT361](#)

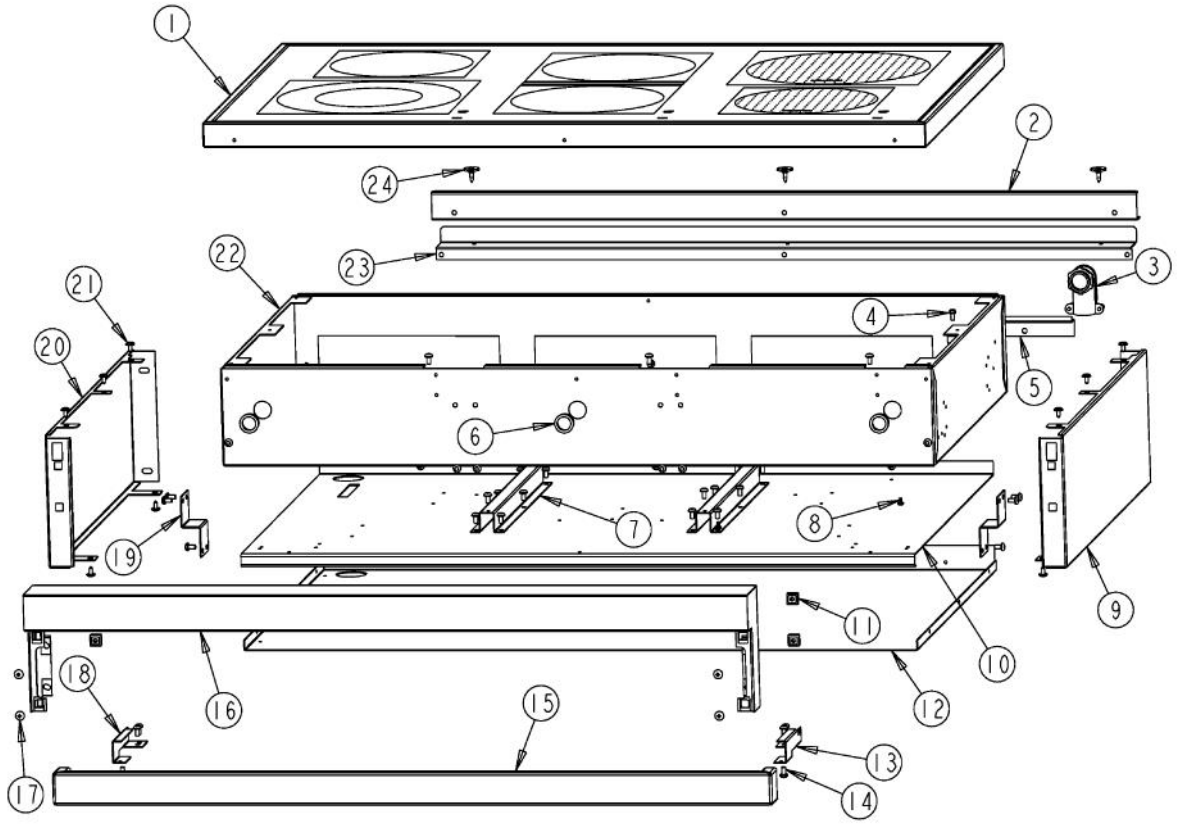


[Find Your VIKING Range Hoods Parts - Select From 411 Models](#)

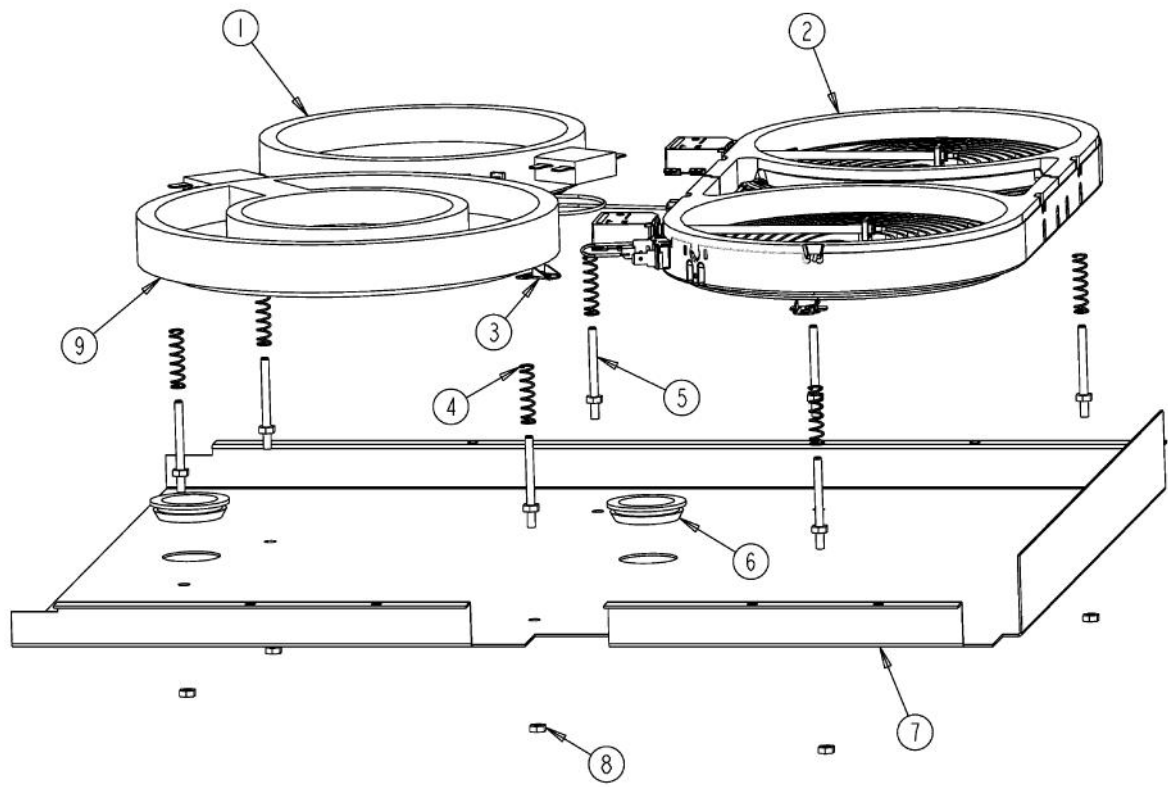
----- Manual continues below -----



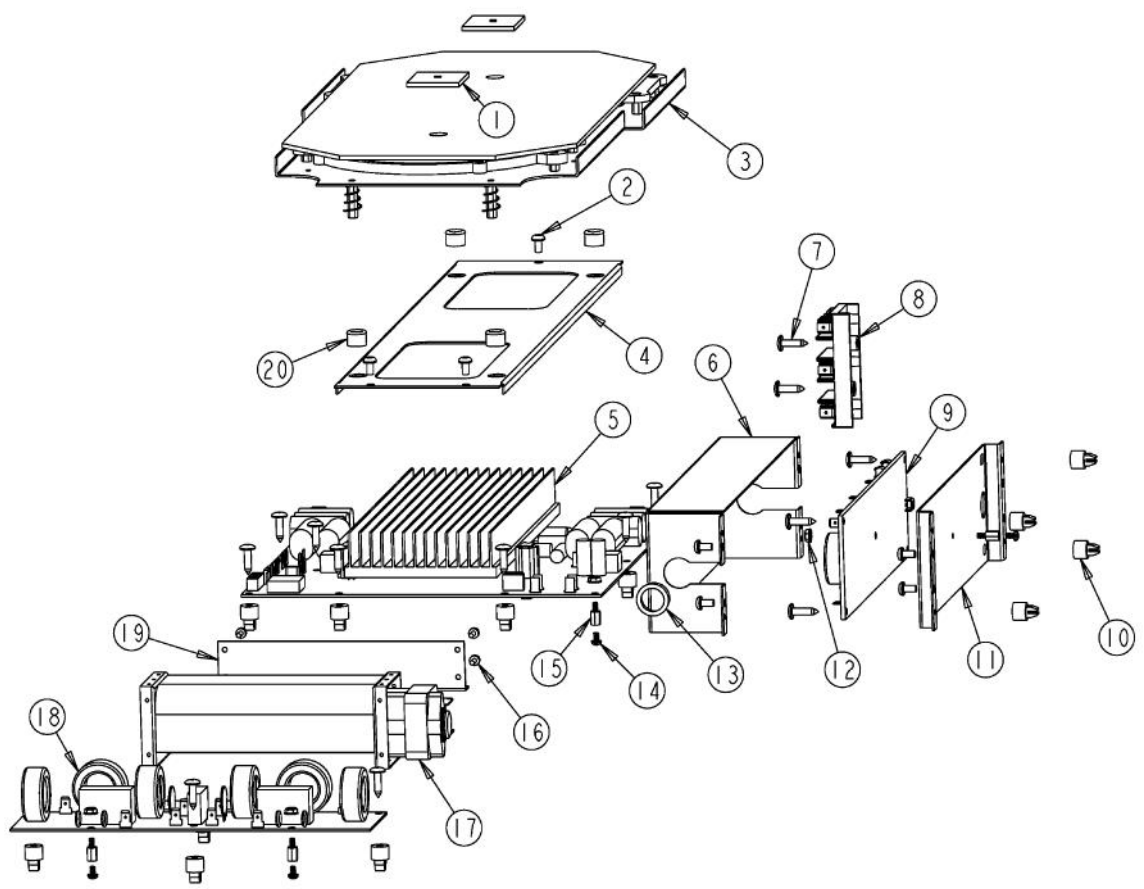
Ref #	Part Number	Qty.	Description
1	A20014554		36 FRONT SUPPORT
2	A20014566		LIGHT HOUSING
3	PE050113		DECU INDICATOR LIGHT (SP-2185-BDPS)
4	PE070519		INDUCTION LED ASSEMBLY
5	A20014514		LED BRACKET
6	PE070364		POT ASSY - GRAY 28.5 (12-4200)
7	PE070683		POT ASSY- WHITE 33 (12-4500)
8	PD030006		CAPPED WASHER PAL NUT
9	PE050024		OVEN IND. LIGHT (LIGHT HOUSING)
10	PJ030027		DUAL INFINITE SWITCH REPLACED BY G50013538
11	PA010218		INDUCTION RANGE/RANGETOP KNOB (BK)
	PA010220		INDUCTION RANGE/RANGETOP KNOB (WH)
12	PD020046		NO.8 X 1/2 SCREWS
13	PD020004		10X3/8PH.HD.TYPE 25 REPL PD040125
14	PJ030007		INFINITE SWITCH
15	PD020033		SRW-NO.10-24X1/2T(23)PH.WFR HD (NKL)
16	PB010145		KNOB-SINGLE INFINITE SWITCH XBKX
	PB010146		KNOB-SINGLE INFINITE SWITCH XWHX
17	PB010143		KNOB-DUAL INFINITE SWITCH XBKX
	PB010144		KNOB-DUAL INFINITE SWITCH XWHX
18	PE050023		OVEN IND. LIGHT (LENS & BEZEL)
19	PD020073		SRW NO.10 X 24 X 3/8 WAFER HD TYPE23
20	PE010142		3 LOGO XBKXXCHROME
	PE010144		3 LOGO XWHXCHROME
	PE010143		3 LOGO BK/BR
	PE010145		LOGO - WH / BR
21	PD020067		NO.6 X 3/8 PAN PHIL. TEK SS
22	PB010208		BEZEL, CHROME PLATE
	PB010209		BEZEL BRASS
23	B92014565		VCRT CONTROL PANEL - 36
24	PD030005		SELF RETAINING NUT



Ref #	Part Number	Qty.	Description
1	G50014568		36 CERAMIC TOP ASSY (INDUCTION/RADIANT) BK
	G50014569		36 CERAMIC TOP ASSY (INDUCTION/RADIANT) WH
2	B20014557		REAR FRAME TRIM - 36
3	PB040259		90 DEG. 3/4 CONDUIT FITTING
4	PD020010		10 X 3/8 GREEN GROUNDING SCREW
5	A20014551		REAR DIVERTER - 36
6	PD040005		SNAP BUSHING - 7/8
7	A20014552		BURNER BOX SUPPORT
8	PD020260		6-32 X 1/4 PAN PHIL INTERNAL SEMS ZN
9	B20014522		SIDE PANEL - RH
10	A20014534		36 BOTTOM INS PANEL
11	PD030005		SELF RETAINING NUT
12	A20014533		36 BURNER BOX BOTTOM
13	A20011467		FALSE DRIP TRAY HANDLE BRKT. RH
14	PD020004		10X3/8PH.HD.TYPE 25 REPL PD040125
15	G30010696		DRIP TRAY HANDLE ASSY 36
	G93011459PVD		DRIP TRAY HANDLE ASSY 36 PVD
16	G3001585		36 LANDING LEDGE
17	PD010003		10-24 X 1/2 PH.TR.HD.SERD.M.S.
18	A20011466		FALSE DRIP TRAY HANDLE BRKT. LH
19	A20014564		36 FRONT BURNER BOX SUPPORT BRKT.
20	B20014523		SIDE PANEL - LH
21	PD020032		SRW-8(A)X3/8PH.WFR HD 7/16DIAXNICL
22	A20014553		COMPONENT SHELF - 36
23	A20014555		36 REAR SUPPORT
24	PD020151		SHOULDER SCREW



Ref #	Part Number	Qty.	Description
1	PJ020003		ELEMENT
2	PJ020004		ELEMENT-(2)1800 X 800
3	PM010494		CERAMASPEED BRACKET
4	PC010006		GUIDE SPRING DESU
5	PD010148		ELEMENT STUD
6	PB070320		SILICONE EXTRUSION
7	A20014567		ELEMENT SHELF - 36
8	PD040056		ELEMENT STUD NUT
9	PJ020002		ELEMENT 2200 (750)



Ref #	Part Number	Qty.	Description
1	PE070761		INDUCTION THERMAL LIMITER
2	PD020004		10X3/8PH.HD.TYPE 25 REPL PD040125
3	PE070688		ALL INDUCTION COIL TRAY ASSEMBLY
4	A20014510		COIL BRACE
5	PE070596		ALL INDUCTION POWER BOARD
6	A20014542		POWER BOARD COVER
7	PD020014		10X3/4 PH TR HD SMS
8	PE070147		TERMINAL BLOCK
9	PE070627		VICU EMI FILTER
10	PD030033		GROMMET NUT-ROUND HD. NO.8 X .500DIA.
11	A20014541		POWER BOARD BRACKET
12	PD030177		6-32 KEPS NUT ZN
13	PD040005		SNAP BUSHING - 7/8
14	PD020260		6-32 X 1/4 PAN PHIL INTERNAL SEMS ZN
15	PD040165		1/4 HEX X 6-32 THREAD MALE TO FEMALE
16	PD020067		NO.6 X 3/8 PAN PHIL. TEK SS
17	PE070635		VICU COOLING FAN
18	PE070597		ALL INDUCTION EMI BOARD
19	A20014512		FAN BRACKET
20	PD040021		1/2 BUSHING (VGRC)