

This Owner's Manual is provided and hosted by [Appliance Factory Parts](#).



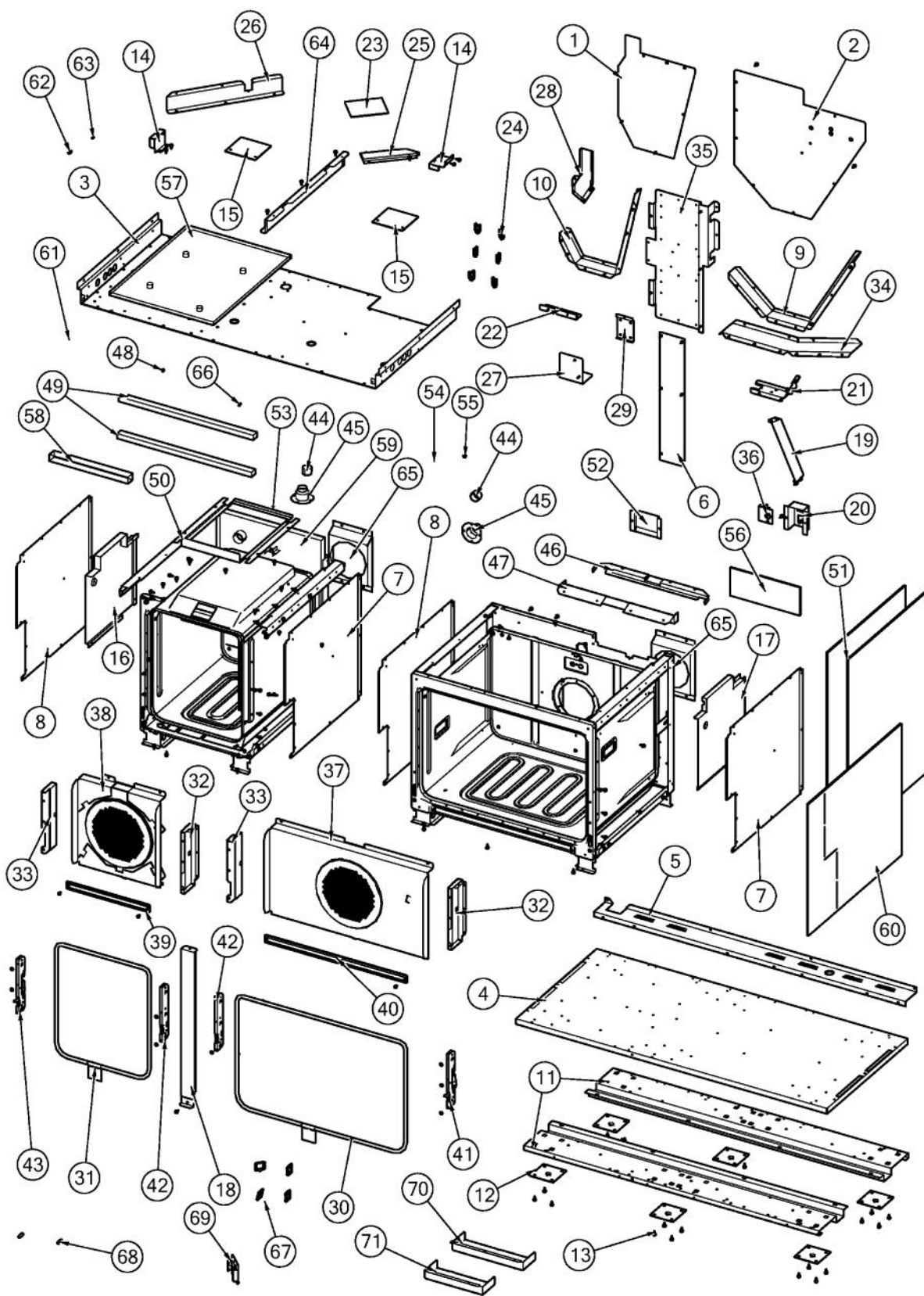
VIKING VDR748-6G Owner's Manual

[Shop genuine replacement parts for VIKING
VDR748-6G](#)



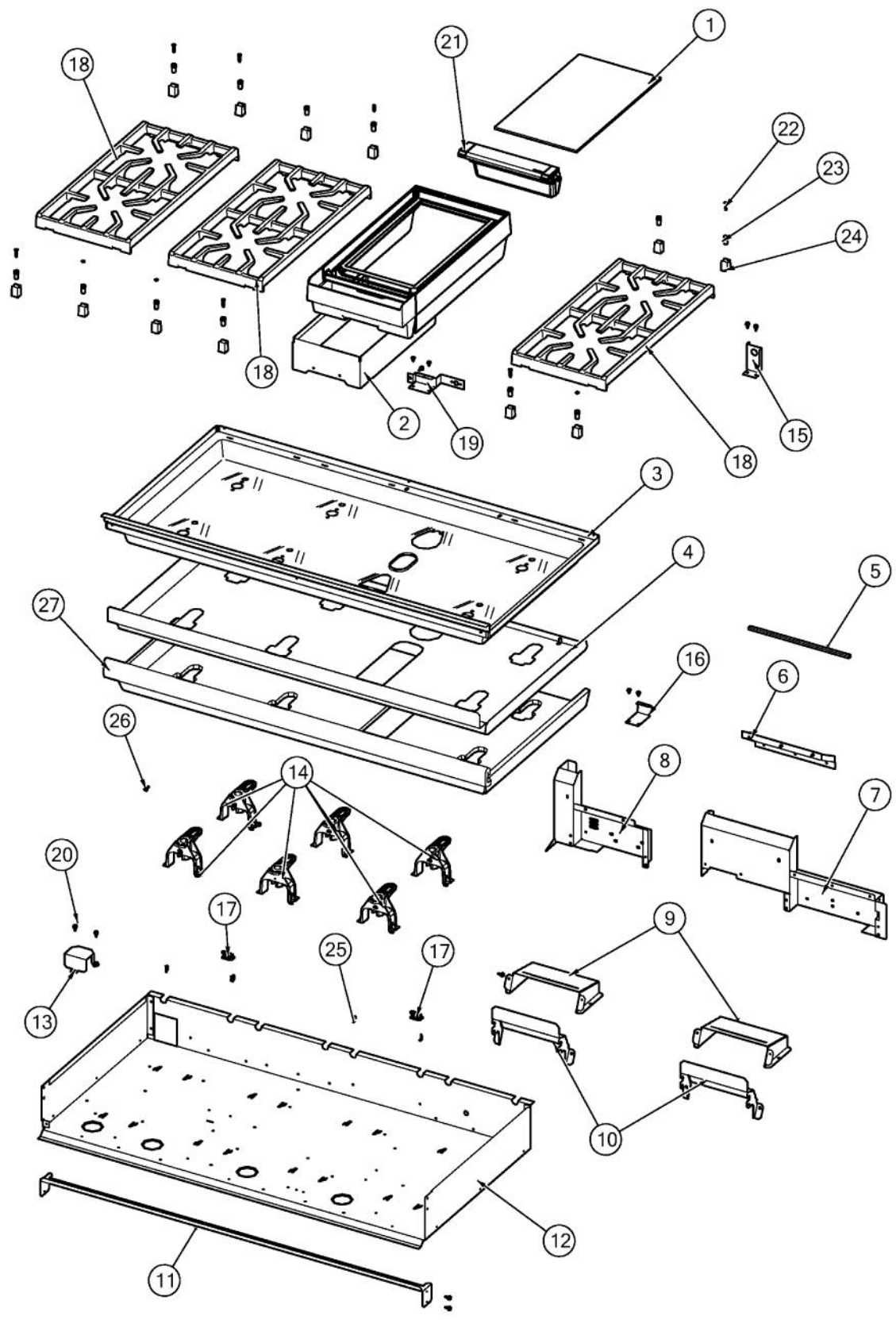
[Find Your VIKING Range Hoods Parts - Select From 411 Models](#)

----- Manual continues below -----

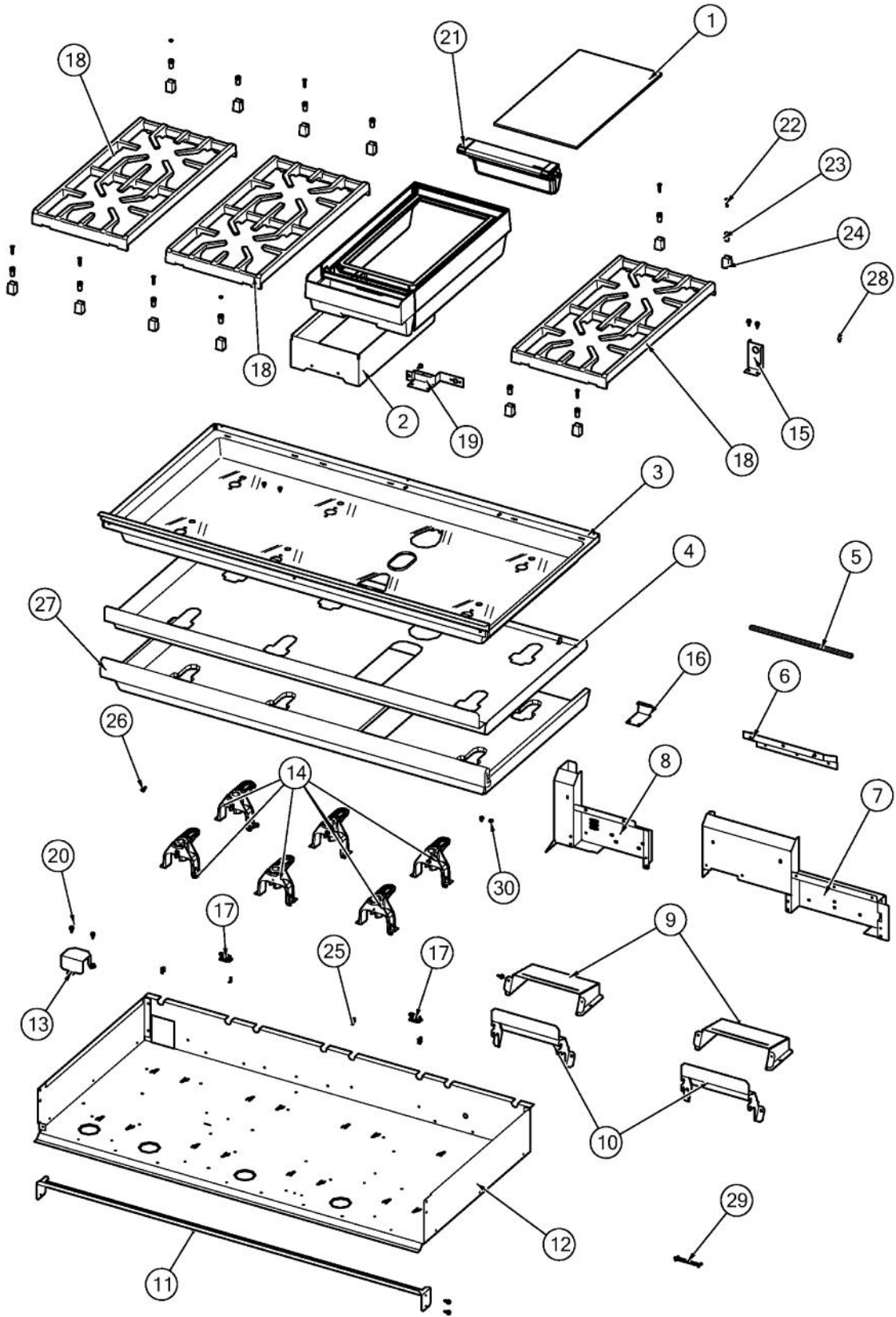


Ref #	Part Number	Qty.	Description
1	047813-000	1	PANEL, CVR, LH
2	047812-000	1	PANEL, CVR, RH
3	043765-000	1	PANEL, INSL, 48 TOP DF
4	043907-000	1	BASE, BOT, 48 GAS
5	043864-000	1	RANGE, BASE, BACK, DF
6	044862-000	1	BRKT, REAR, CAVITY, INTL
7	048194-000	2	RETAINER, INSULATION, WRAPPER, RH
8	048200-000	2	RETAINER, WRAPPER, INSULATION, LH
9	049784-000	1	BAFFLE, FAN, REAR
10	047806-000	1	BAFFLE, AIR, REAR, VDSC 18
11	047055-000	2	BRACKET, LEG, OFFSET
12	PC030007	6	LEG PLATE - 3/4 THREADED HOLE
13	003860-000	1	NO.10-18 X .500 FASTNR,SCR,HXWH,STL,ZPLT
14	046065-000	2	BRACKET, SWITCH, OVEN LIGHT
15	013564-000	2	LOWER LATCH INSULATION
16	048646-000	1	SHIELD, DIVERTER, HEAT, LH
17	048962-000	1	SHIELD, DIVERTER, HEAT, RH
18	048644-000	1	TRIM, CTR, VDR 48
19	049755-000	1	DIVERTER, AIR, BACK WALL, VDSC
20	N/P	1	CABINET (NOT FIELD REPLACEABLE)
21	049785-000	1	BAFFLE, FAN, REAR, TOP
22	047841-000	1	BRKT, MOUNT, CAPACITOR
23	004285-000	1	INSULATION, FOIL-BACKED,4X5
24	045548-000	6	CLIP, ROUTING, WIRE?
25	003333-000	1	DUCT, FLUE
26	048639-000	1	DIVERTER, AIR, LH
27	047826-000	1	BRKT, BASE, RETAINER, VALVE, SHUT OFF
28	044838-000	1	EXHAUST, DUCT, REAR, VDSC 18 INTL
29	N/P	1	CABINET (NOT FIELD REPLACEABLE)
30	044796-000	1	GASKET, LINER, DF, ASM, 30
31	044818-000	1	GASKET, LINER, DF, ASM, 18
32	048195-000	2	SHIM, SHIELD, RETAINER, RH HINGE
33	048199-000	2	SHIM, SHIELD, RETAINER, LH HINGE
34	047831-000	1	SHIELD, DIVERTER, WATER
35	047798-000	1	PNL, TRAY, MOUNT, ELECTRONICS
36	A2002195	1	POWER CORD MOUNTING BRKT (VDSC)
37	032857-000	1	BAFFLE, CONV, ASM, D3, BLACK?
38	006176-000	1	BAFFLE, CNVN, ASM, VDSC 18
39	003490-000	1	COVER, BAKE, 18
40	E2109655	1	COVER, BAKE TRAY
41	045786-000	1	RECEIVER, HINGE, SLOW-CLOSE, DAMPENED
42	045060-000	2	RECEIVER, HINGE, SLOW-CLOSE, UNDAMPENED
43	046853-000	1	RECEIVER, NUOVA STAR, DAMPENED, BLK
44	PB020275	2	VENT TUBE
45	PM010014	2	SMOKE ELIMINATOR (VDSC)
46	024221-000	1	BRACKET, BROLIER, REAR
47	024234-000	1	BRACKET, BROLIER, FRONT
48	037304-000	1	FASTENER, PNH, TORX, AB, PSVD, WAX
49	013547-000	2	BAKE ELEMENT INSULATION
50	043763-000	4	BRKT, TOP, WRAPPER
51	033588-000	2	INSULATION, TOP FOIL BACK
52	048838-000	1	DIVERTER, SHIELD, HEAT, DUCT
53	006748-000	1	BRACKET, SST, 201HP, MILL, VDSC 18, GLASS BROILER
54	037304-000	1	FASTENER, PNH, TORX, AB, PSVD, WAX
55	014143-000	1	SCR 10-12 A SHLD TRP 1/2 S ZN BLUE
56	006220-000	1	INSULATION, DOOR, SKIN, TOP, VDSC 18
57	017699-000	1	INSULATION, BAKE BOTTOM
58	017697-000	2	INSULATION, BAKE, FRONT

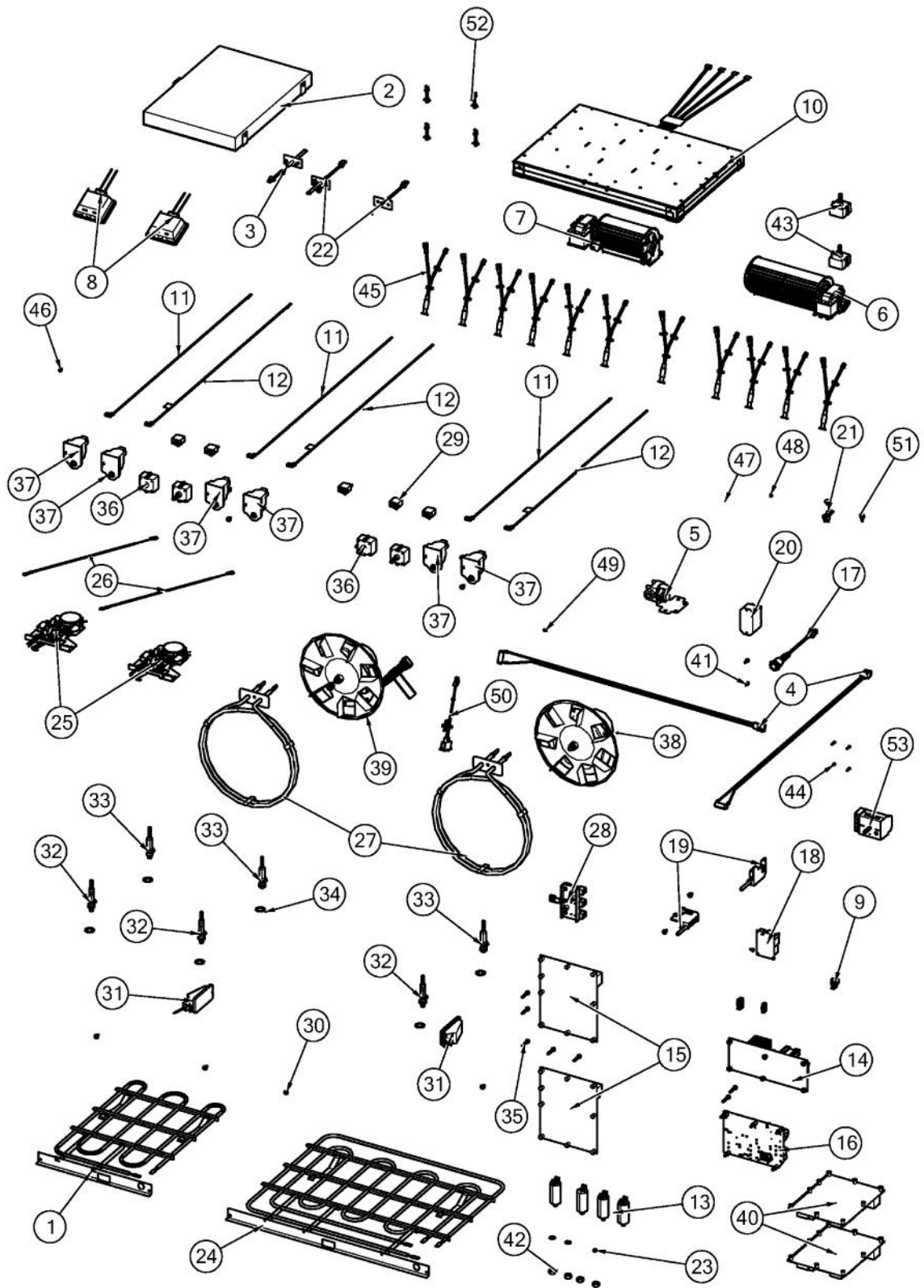
Ref #	Part Number	Qty.	Description
58	017697-000	2	INSULATION, BAKE, FRONT
59	017701-000	1	INSULATION, CAVITY BACK
60	050302-000	1	INSULATION SIDE FOIL BACK
61	046595-000	1	WASHER, FIBER, BLACK
62	043800-000	1	BUMPER, RBR, BLK
63	046651-000	1	SCREW, TRILOBE, 10-32, TRUSS, PH, BLACK
64	043866-000	1	DIVERTER, AIR, DF
65	A2009697	2	BRACKET, CONVECTION INSULATION
66	PD020010	1	10 X 3/8 GREEN GROUNDING SCREW
67	045550-000	4	SADDLE, WIRE, EDGE
68	044044-000	2	GROMMET, SWITCH, DOOR, RBR
69	047827-000	2	BRKT, RETAINER, TOP, REGULATOR
70	049484-000	2	BRACKET, FILLER, BLOWER
71	049485-000	1	BRACKET, FAN, MT, BOT, VDSC 18
NI	048460-000	1	INSULATION KIT NO.8
NI	048457-000	1	INSULATION KIT NO.10
NI	048458-000	1	INSULATION KIT NO.2



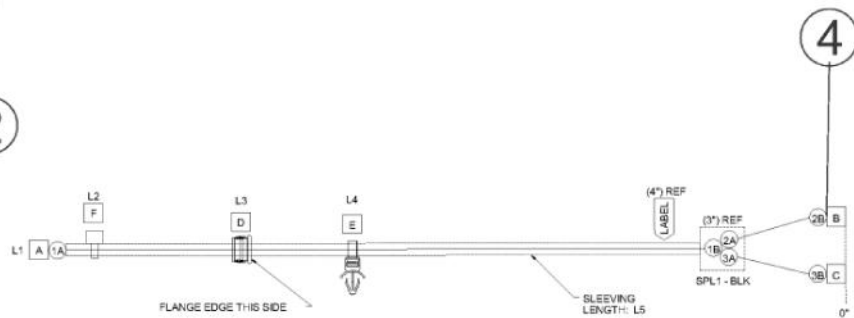
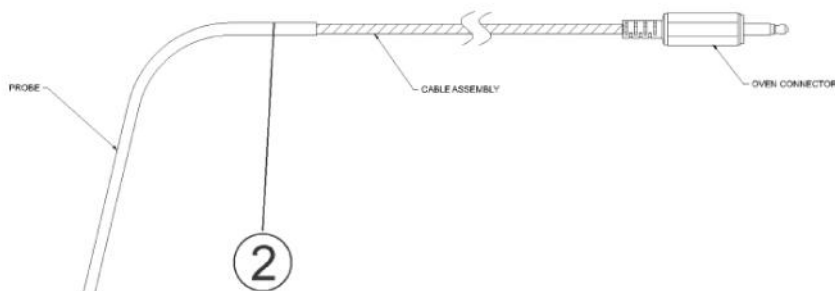
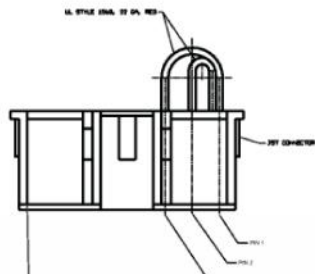
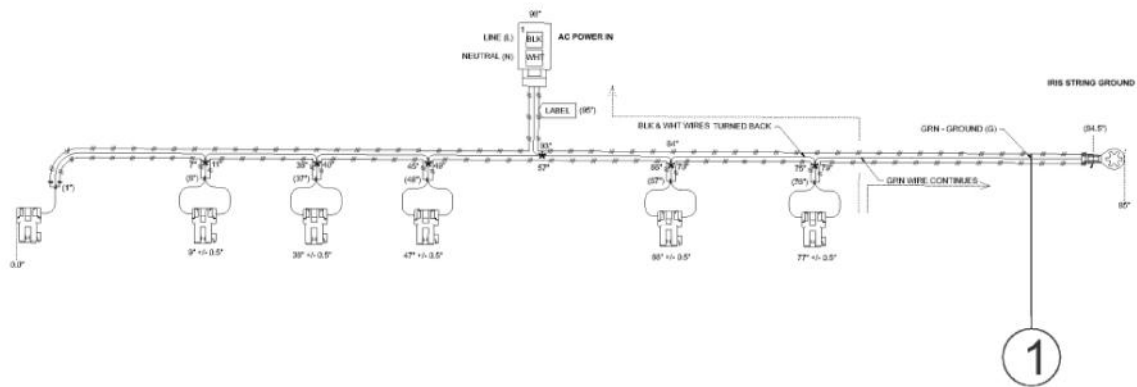
Ref #	Part Number	Qty.	Description
1	044873-000	1	PLATE, W/A, 12 GRIDDLE
2	046854-000	1	SHIELD, HEAT
3	049053-402	1	PAN, BNR, SHIM, ASM, BLK, 48 GRIDDLE
4	049749-000	1	TRAY, INSULATION, BURNER PAN, GRIDDLE, 48
5	028325-200	1	ADHESIVE GASKET, 1/4 X 3/8
6	047816-000	1	DIVERTER, WATER, DUMP
7	043851-000	1	DUCT, RH, ADJUSTABLE, DIVERTER, AIR
8	043861-000	1	DUCT, LH, ADJUSTABLE, DIVERTER, AIR
9	049753-000	2	SHIELD, HEAT, HARNESS, BTM
10	049964-000	2	SHIELD, HEAT, HARNESS, TOP
11	049728-000	1	BRACKET, MTG, 48 CONTROL PANEL
12	043766-000	1	BOX, BNR, 48
13	048188-000	1	BRACKET, TEE, PIPE
14	044486-000	6	SUPPORT, HLDR, JET
15	045888-000	1	BRKT, GRDL
16	045840-000	1	BURNER, HOLDER, REAR
17	045548-000	2	CLIP, ROUTING, WIRE?
18	042545-000	3	GRATE, CAST, 12
19	045843-000	1	BRKT, BURNER, SPT
20	003860-000	1	NO.10-18 X .500 FASTNR,SCR,HXWH,STL,ZPLT
21	047072-000	1	TROUGH, GRS, GRIDDLE, ASM
22	049534-000	12	SCREW, 8-32 X 3/4, PHIL, FLAT
23	046873-000	12	SILENCER, GRATE
24	042410-000	12	SUPPORT, GRATE
25	050610-000	8	SADDLE, WIRE, EDGE, .46 X .29
26	PD020068	1	NO.10 - 32 X 1/2TRUSS. PHIL. M.XSSX
27	049776-000	1	INSULATION, LINER, GRIDDLE, BURNER PAN, 48
28	014143-000	1	SCR 10-12 A SHLD TRP 1/2 S ZN BLUE
29	048961-000	9	STANDOFF, TWIST LOCK, TALL
30	037304-000	1	FASTENER, PNH, TORX, AB, PSVD, WAX



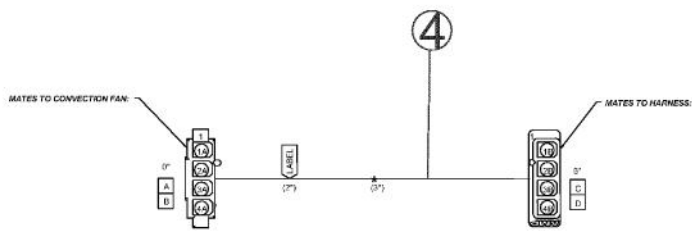
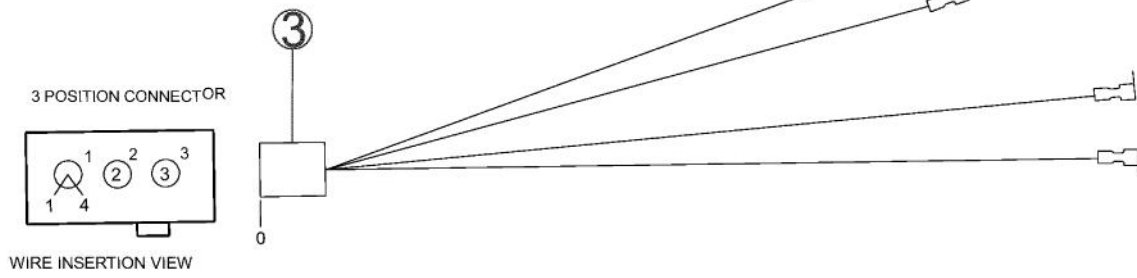
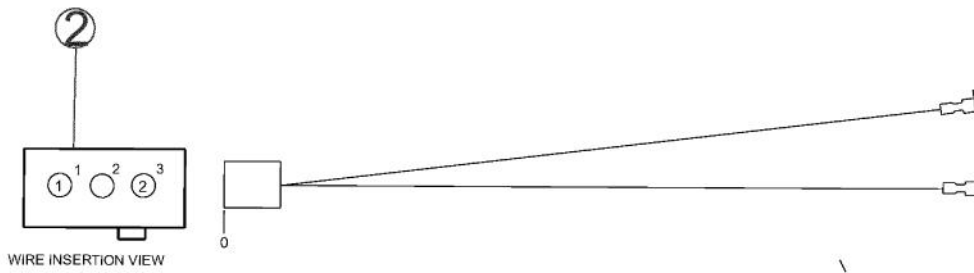
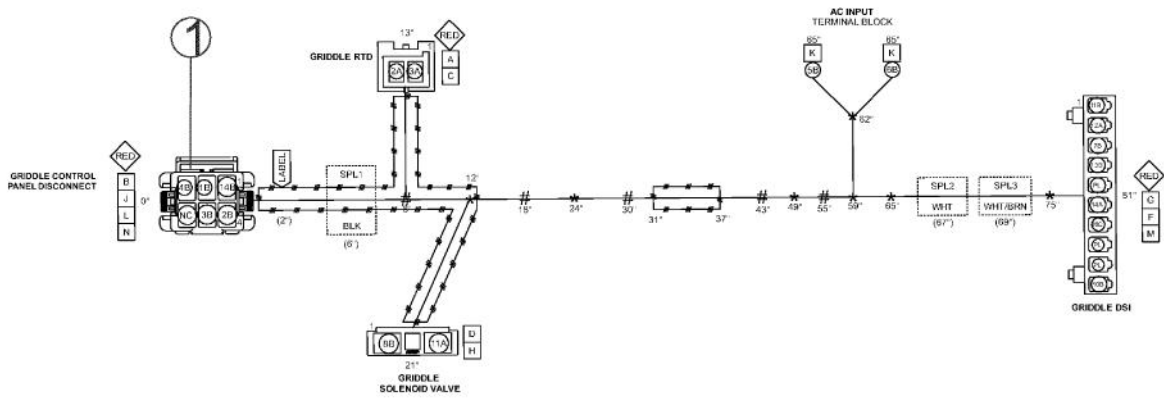
Ref #	Part Number	Qty.	Description
1	043791-000	1	BURNER, HEAD, BRS, C-SIZE
2	043251-000	2	D-BURNER HEAD
3	043159-000	3	E-BURNER HEAD
4	043249-000	2	BASE, BNR, D
5	043158-000	3	E-BURNER BASE
6	044485-000	3	VENTURI, E NAT, FLANGE, BNR - NAT
7	043790-000	1	BURNER, BASE, C-SIZE
8	044487-000	2	VENTURI, D NAT, D LP, FLANGE, BNR
9	046964-000		SCREW, 10-32 X 3/4, CTSK, BLACK
10	043208-000	6	HOLDER, JET, BURNER
11	044824-000	2	FITTING, ADAPTOR, 1/2 FLEX TUBING
12	046133-000	1	BURNER, GRIDDLE
13	044321-000	4	FITTING, ADAPTOR, 3/4 FLEX TUBING
14	044323-000	1	TEE, PIPE, 3/4
15	044322-000	1	NIPPLE, CLOSE, 3/4 NPTM TO 3/4 NPTM
16	046119-000	1	PRESSURE REGULATOR - NAT
17	044325-000	1	ELBOW, 90 DEG STREET, 3/4 NPT
18	046908-000	1	MANIFOLD, GRIDDLE, GAS, 48 ASM
19	PD010012	18	VALVE BOLT 1/4-20 UNC-2B 5/16 M.S.
20	044686-000	1	VENTURI, C NAT, C LP, FLANGE, BNR
NI	051790-000	1	TC-0101-SP 7 SERIES LR SURFACE BURNER KIT (FOR UNITS MANUFACTURED BEFORE 8/5/14)
21	046197-000	3	VALVE, BNR, 9/16-24 UNEF ASSY - NAT
22	043134-000	3	VALVE, BNR, 9/16-24 UNEF ASSY - NAT
23	002884-000	2	MANIFOLD PLUG
24	044688-000	1	ORIFICE, BNR, STD, 1.22MM - NAT
25	043675-000	3	ORIFICE, BNR, STD, 2.18MM - NAT
26	046184-000	2	ORIFICE, BNR, STD, 1.70MM NAT
27	046399-000	1	TUBING, 3/4 FLEX, SST, 20
28	044832-000	1	TUBING, 1/2 FLEX, SST, 38
29	PB020116	1	TUBING - 10 FLEXIBLE 12 & 24
30	PB030007	1	SHUT OFF VALVE
31	PB040192	1	3/8" CC FERREL (DGCU)
32	PB040213	1	3/8 COMPRESSION NUT (DGCU)
33	PB020198	3	20 FLEX TUBING
34	PB020191	3	15 FLEX TUBE
35	048029-000	1	90 DEG ORIFICE FITTING NO.50 DRILL
36	PB020126	1	3/8" S.S. FLEX TUBING 15" (DGCU)
37	PB040050	2	3/8CC MALE COMP. FITTING W/FERRULE



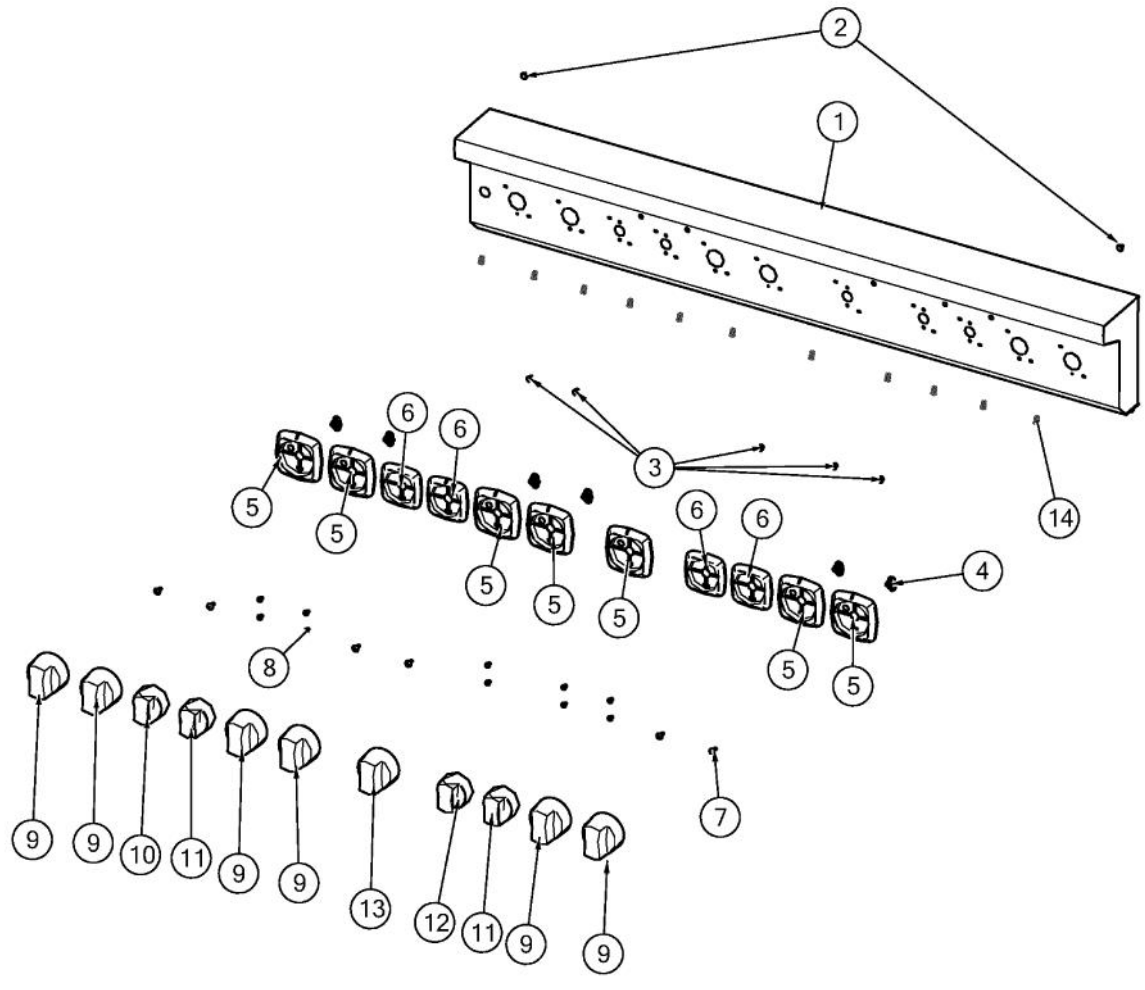
Ref #	Part Number	Qty.	Description
1	006166-000	1	ELEMENT, BAKE, VDSC18
2	006380-00	1	ELEMENT, GLASS, BROILER, 18?
3	007008-000	1	RTD PROBE
4	008880-000	2	MEAT PROBE RECEPTACLE ASM
5	009111-000	1	VALVE, SOL, SINGLE
6	018607-000	1	FAN,BLO, 220-240V 50/60HZ ASSY
7	018608-000	1	FAN,BLO, 220-240V 50/60HZ ASSY
8	020403-000	2	BJB SLIMLINE 40W BULB
9	023024-000	1	MODEL HEADER 16
10	024040-000	1	ELEMENT, RIBBON (USE PART NO. 013930-000 IF OUT OF 0...
11	028312-000	3	WIRE, ELECTRODE,IRIS,REAR?
12	028324-000	3	WIRE, ELECTRODE,IRIS,FRONT?
13	036047-000	4	CAPACITOR, CONV MOTOR, INTL
14	038417-000	1	EOC4 POWER SUPPLY BOARD, CB
15	038419-000	2	CONTROL,BD,EOC4, CB
16	043453-000	1	MODULE, DSI
17	044195-000	1	SWITCH, PB-LT, 5WIRE, ASSY
18	044693-000	1	SUPPLY, POWER, AC/DC 12VDC, 15W
19	048347-000	2	SWITCH, SPDT, DOOR, STRAIGHT TABS
20	049463-000	1	RELAY, DPST, 30A, 120VAC, COIL
21	PA020028	1	SPARK IGNITER
22	PE050206	2	RTD THERMOSTAT PROBE
23	PD040164	4	5/16 INTERNAL TOOTH LOCK WASHER TYPE A
24	PJ010048	1	BAKE ELEMENT
25	039293-000	2	LATCH, ELEC, 240V, ASSY
26	044607-000	2	WIRE, GROUND
27	PJ010047	2	CONVECTION ELEMENT
28	PE070147	1	TERMINAL BLOCK
29	043135-000	5	HOUSING, LIGHT, LED, BLUE 3.3V
30	037304-000	1	FASTENER, PNH, TORX, AB, PSVD, WAX
31	005311-000	2	120V/25W HALOGEN LIGHT
32	043065-000	3	ELECTRODE, ASM E?
33	043067-000	3	ELECTRODE , ASM, D?
34	045932-000	6	WASHER, ELECTRODE?
35	M0211021	1	SCREW-SM
36	PJ030033	2	SELECTOR (10 POS)
37	PA020058	6	IRIS SINGLE SPARK MODULE
38	G32014020	1	CONVECTION FAN ASSY
39	006168-000	1	FAN, CNVN, ASM, VDSC 18
40	046141-000	2	PCBA, EOC4 WITH LED HEADER
41	PD020067	1	NO.6 X 3/8 PAN PHIL. TEK SS
42	PD030172	4	M8 X 1.25MM NUT
43	PJ030035	2	THERMOSTAT
44	045594-000	1	SCREW, SHCS, NO.4-40 X 3/8, SS
45	048809-000	11	LAMP, LED, 12VDC, 2.84K, WHITE, ASM?
46	042402-000	2	WASHER, W/ADHESIVE
47	008882-000	1	FASTENER, WSHR, LCKG, 1/4 I.D.
48	008883-000	1	FASTENER, NUT, SST, 1/4 32
49	PD020006	1	NO.6-32 X 1/4 PH.PAN HD. T(F)
50	046283-000	1	SWITCH, LIGHTS, ACCENT W/CONN?
51	003860-000	1	NO.10-18 X .500 FASTNR,SCR,HXWH,STL,ZPLT
52	045528-000	4	STANDOFF, LOCKING CLIP
53	038413-000	2	TSTAT,SMPS, ELEC, 2-POS, .91 SHAFT, CB
NI	049430-000	1	HARN, GRIDDLE, VDR748, MAIN, LH
NI	049433-000	1	HARN, GRIDDLE, VDR748, CP, RH
NI	049432-000	1	HARN, GRIDDLE, VDR748, CP, LH
NI	048831-000	1	KITCHEN THERMOMETER P/N 1KT002 VIKING OVERLAY
NI	009645-000	1	MODEL HEADER 11



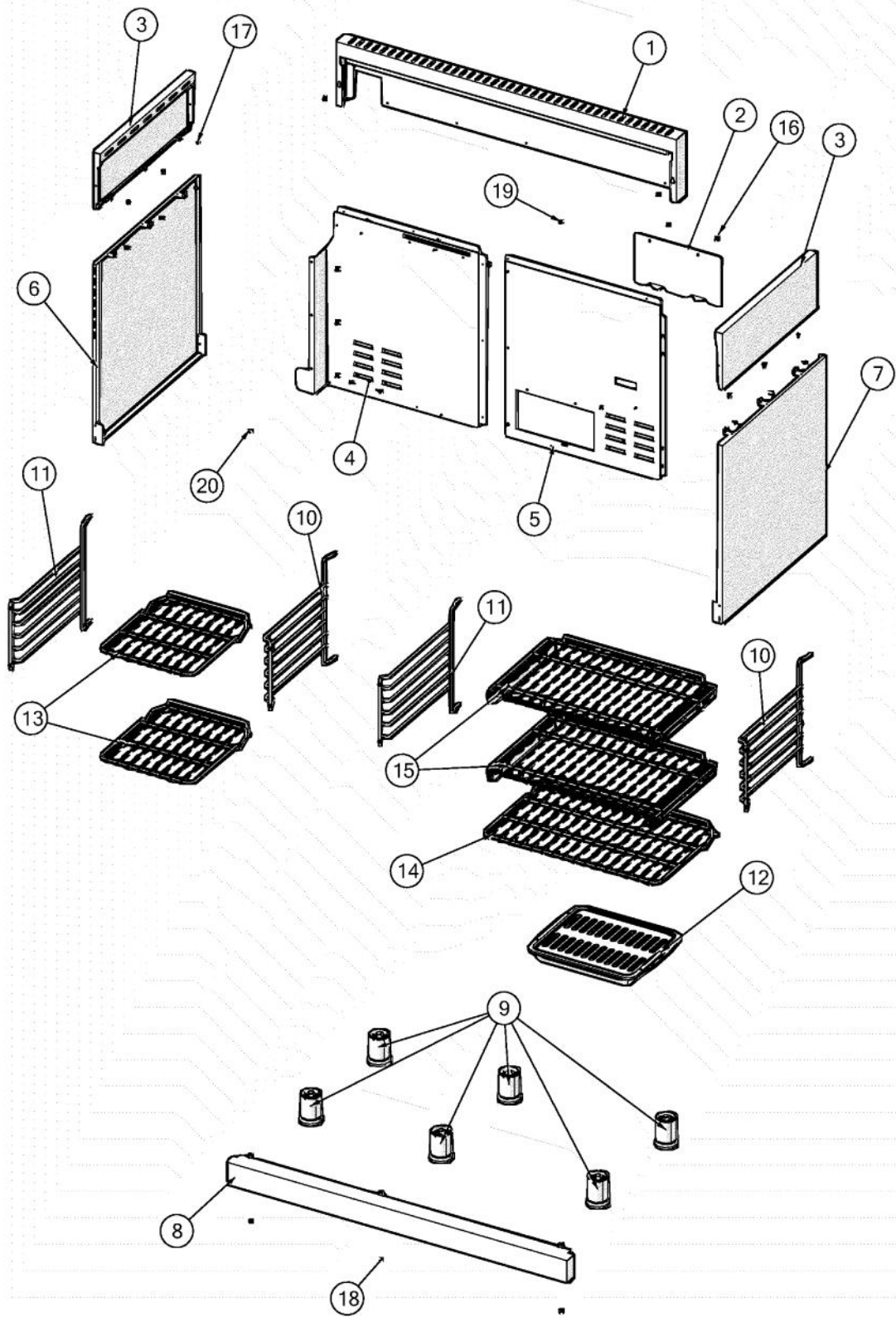
Ref #	Part Number	Qty.	Description
1	049047-000	1	HARN, IRIS, 48, 6G, W/CONN
2	046020-000	1	PROBE, MEAT, OVEN, IGRILL, SST, 3.5MM
3	046021-000	1	CORD, ADPT, M-M, 2.5TS, 2.5TS, SST
4	049310-000	1	HARN, VGR7364G, ELECTRODE, GRIDDLE
5	038655-000	1	GRIDDLE,JUMPER,BRIGADE



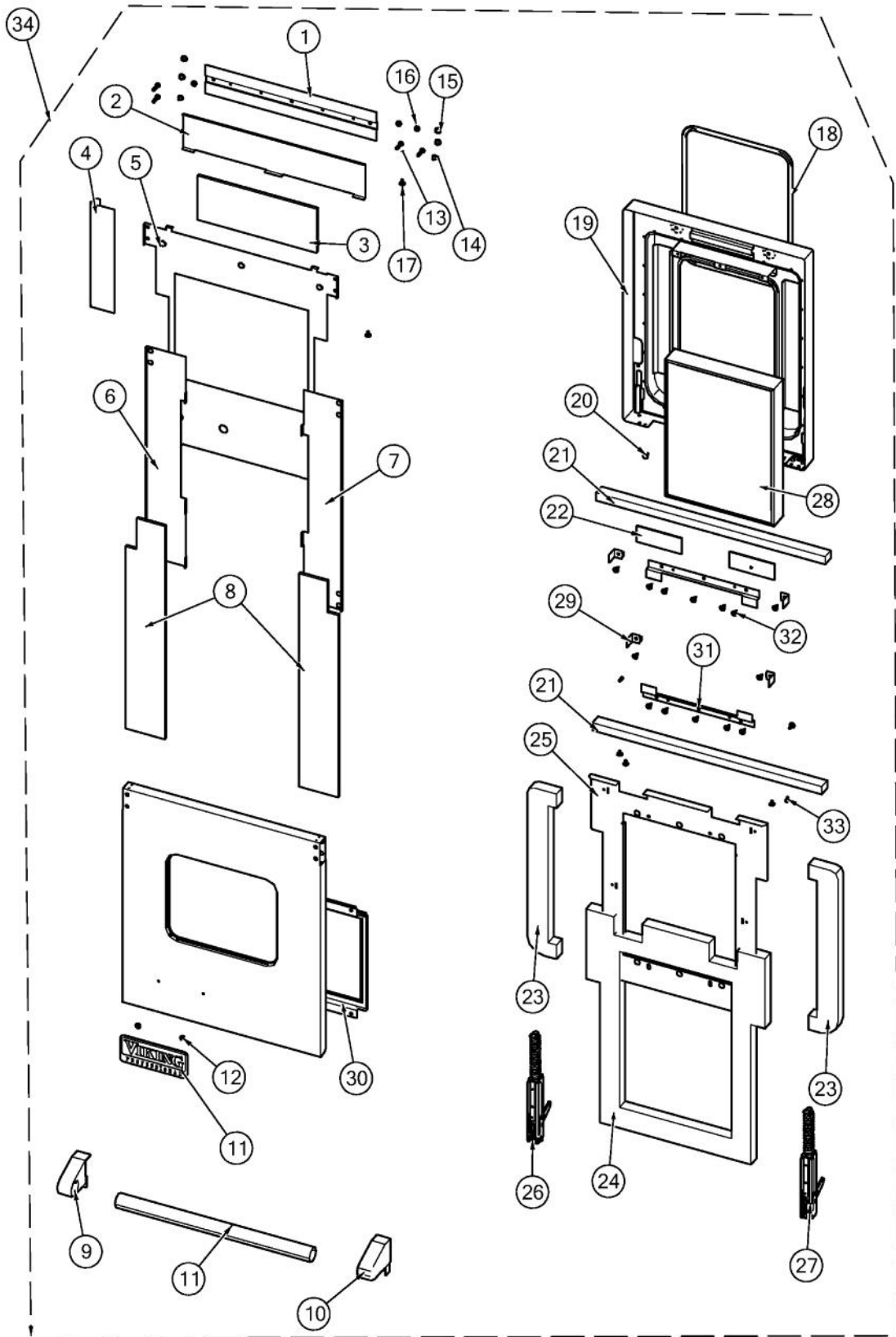
Ref #	Part Number	Qty.	Description
1	049431-000	1	HARN, GRIDDLE, VDR748, MAIN, RH
2	013406-000	1	HARNESS, BAKE, ELEMENT, VDSC18
3	PE070739	1	BAKE ELEMENT HARNESS
4	050081-000	2	HARN, JUMPER, ADAPT CONV FAN



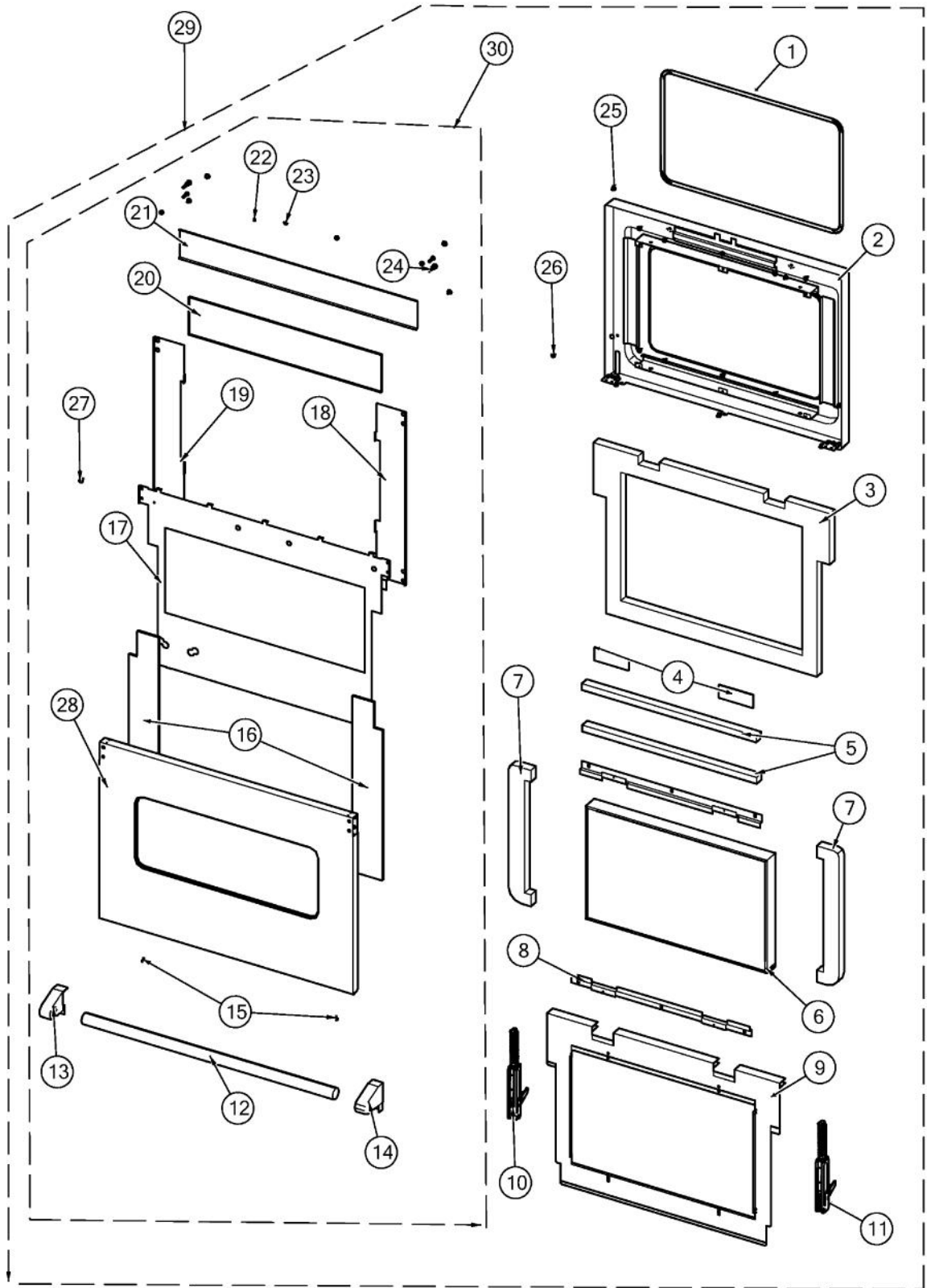
Ref #	Part Number	Qty.	Description
1	048862-2668	1	PNL, CTRL, VDR748, GRIDDLE, W/GRAPHICS ASSY
2	PD020032	2	SRW-8(A)X3/8PH.WFR HD 7/16DIAXNICL
3	027968-000	5	INDICATOR, LIGHT, BLUE
4	044512-000	6	BEARING, BEZEL, ASM
5	048309-000	7	BZL, KNOB
6	048326-000	4	BZL, KNOB
7	PD020046	6	NO.8 X 1/2 SCREWS
8	PD020269	10	NO.8 PAN HEAD SCREW
9	042558-000	6	KNOB, ASSY, BURNER
10	042771-000	1	KNOB, ASSY, SELECTOR, OVEN, LH, D/F
11	044588-000	2	KNOB, SELECTOR, OVEN, DUAL FUEL
12	044587-000	1	KNOB, THERMOSTAT, OVEN, DUAL FUEL
13	045725-000	1	KNOB, THERMOSTAT, GRIDDLE ASSY
14	044937-000	11	LENS, COVER, LED, CLEAR



Ref #	Part Number	Qty.	Description
1	042797-000	1	TRIM, IS, VGR, 48?
2	047823-000	1	BACK, COVER ACCESS DOOR
3	042884-000	2	COVER, OS, RH/LH UPPER?
4	047814-000	1	COVER, BACK, 18
5	048627-000	1	COVER, BACK, 30
6	047730-000	1	COVER, OS, LH SS
6	049552-024	1	COVER, OS, LH AR
6	049552-002	1	COVER, OS, LH BK
6	049552-008	1	COVER, OS, LH BU
6	049552-013	1	COVER, OS, LH CB
6	049552-051	1	COVER, OS, LH CN
6	049552-052	1	COVER, OS, LH DJ
6	049552-005	1	COVER, OS, LH GG
6	049552-022	1	COVER, OS, LH SG
6	049552-012	1	COVER, OS, LH VB
6	049552-006	1	COVER, OS, LH WH
6	049552-054	1	COVER, OS, LH WS
7	042375-000	1	COVER, OS, RH SS
7	049551-024	1	COVER, OS, RH AR
7	049551-002	1	COVER, OS, RH BK
7	049551-008	1	COVER, OS, RH BU
7	049551-013	1	COVER, OS, RH CB
7	049551-051	1	COVER, OS, RH CN
7	049551-052	1	COVER, OS, RH DJ
7	049551-005	1	COVER, OS, RH GG
7	049551-022	1	COVER, OS, RH SG
7	049551-012	1	COVER, OS, RH VB
7	049551-006	1	COVER, OS, RH WH
7	049551-054	1	COVER, OS, RH WS
8	047732-000	1	KICKPLATE, RNG
8	049738-024	1	KICKPLATE, RNG AR
8	049738-002	1	KICKPLATE, RNG BK
8	049738-008	1	KICKPLATE, RNG BU
8	049738-013	1	KICKPLATE, RNG CB
8	049738-051	1	KICKPLATE, RNG CN
8	049738-052	1	KICKPLATE, RNG DJ
8	049738-005	1	KICKPLATE, RNG GG
8	049738-022	1	KICKPLATE, RNG SG
8	049738-012	1	KICKPLATE, RNG VB
8	049738-006	1	KICKPLATE, RNG WH
8	049738-054	1	KICKPLATE, RNG WS
9	044178-000	6	RANGE, LEG, ADJUSTABLE
10	036216-402	2	RACK,PRO,ASM,RH, BLACK
11	036220-402	2	RACK,PRO,ASM,LH, BLACK
12	042253-000	1	PAN, BROILER, PORCELAIN ASM
13	006379-000	2	OVEN, RACK, ASM, STANDARD, VDSC18
14	041046-000	1	RACK, DF, PRO, 30
15	024102-000	2	PULL OUT RACK, 30 TRUE GLIDE
16	003860-000		NO.10-18 X .500 FASTNR,SCR,HXWH,STL,ZPLT
17	003801-000		SHOULDER SCREW, NO.10
18	PD020032		SRW-8(A)X3/8PH.WFR HD 7/16DIAXNICL
19	014143-000		SCR 10-12 A SHLD TRP 1/2 S ZN BLUE
20	PD020232		NO.8 X 3/4 PH PAN HEAD TEK SCREW (BLACK OXIDE)



Ref #	Part Number	Qty.	Description
1	006225-000	1	BRACKET, DOOR, ASM, MT, VDSC 18
2	006219-000	1	DOOR SKIN HEAT SINK, 18
3	006220-000	1	INSULATION, DOOR, SKIN, TOP, VDSC18
4	011178-000	1	DOOR SKIN LH HEAT SINK, 18
5	006223-000	1	DOOR SKIN INSULATION RETAINER ASM, 18
6	009428-000	1	BRACKET, DOOR, RH, VDSC18, SKIN
7	009427-000	1	BRACKET, DOOR, LH, VDSC18, SKIN
8	006787-000	2	INSULATION, DOOR, SIDE, SUPERWOOL, .25, VDSC530
9	003011-000	1	DOOR HANDLE ENDCAP ASSY, LH (CHROME)
10	003012-000	1	DOOR HANDLE ENDCAP ASSY, RH (CHROME)
11	006221-000	1	18 DOOR HANDLE, SST
12	PD030006	2	CAPPED WASHER PAL NUT
13	002736-000	1	NO.10-32 PAN HEAD PHILLIPS MACHINE SCREW
14	PD020032	1	SRW-8(A)X3/8PH.WFR HD 7/16DIAXNICL
15	004907-000	1	STEEL FINISHING PLUG, NICKEL PLTD 25/64 HOLE
16	PD030010	1	NO.10-24 KEPS NUT
17	PD020073	1	SRW NO.10 X 24 X 3/8 WAFER HD TYPE23
18	000594-000	1	BLACK FIBERGLASS ROPE 3/8
19	049018-402	1	LINER, DOOR, WLD, ASSY 158 BK
20	PD020033	1	SRW-NO.10-24X1/2T(23)PH.WFR HD (NKL)
21	013547-000	2	BAKE ELEMENT INSULATION
22	013567-000	2	DOOR BRACKET INSULATION
23	013558-000	2	SIDE DOOR PLUG INSULATION
24	024494-000	1	INSULATION, DOOR LINER, 18
25	006209-000	1	DOOR LINER INSULATION RETAINER, 18
26	046549-000	1	HINGE, NUOVA STAR, LH, RED
27	046548-000	1	HINGE, NUOVA STAR, RH, RED
28	005300-000	1	GLASS, WINDOW PACK, 18
29	009426-000	3	STANDOFF, BRACKET, DOOR, LINER, VDSC18
30	006217-000	1	18 WINDOW HOLDER
31	006207-000	2	DOOR GLASS HOLDER BRACKET, 18 DOOR
32	004526-000	1	FASTENER,SCR,TPGS,TRH,PHLP,NO.10-1/2
33	PD020063	1	SCREW-NO.8(A) X 3/8PH WFR HD/BK OXID
34	049020-000	1	DOOR ASSEMBLY, SS 18
34	051472-002	1	DOOR ASSEMBLY, BK 18
34	051472-024	1	DOOR ASSEMBLY, AR 18
34	051472-008	1	DOOR ASSEMBLY, BU 18
34	051472-013	1	DOOR ASSEMBLY, CB 18
34	051472-005	1	DOOR ASSEMBLY, GG 18
34	051472-006	1	DOOR ASSEMBLY, WH 18



Ref #	Part Number	Qty.	Description
1	000594-000	1	BLACK FIBERGLASS ROPE 3/8
2	049013-402	1	LINER, DOOR, WLD, ASSY 30 BK
3	017752-000	1	INSULATION, DOOR LINER
4	013567-000	2	DOOR BRACKET INSULATION
5	013547-000	2	BAKE ELEMENT INSULATION
6	PE060094	1	30 WINDOW PACK
7	013558-000	2	SIDE DOOR PLUG INSULATION
8	004153-000	1	DOOR GLASS HOLDER BRACKET
9	004152-000	1	DOOR LINER INSULATION RETAINER, 30
10	046547-000	1	HINGE, NUOVA STAR, LH, WHITE
11	046546-000	1	HINGE, NUOVA STAR, RH, WHITE
12	002728-000	1	DOOR HANDLE - SS, 1.25 OD
13	003011-000	1	DOOR HANDLE ENDCAP ASSY, LH (CHROME)
14	003012-000	1	DOOR HANDLE ENDCAP ASSY, RH (CHROME)
15	PD020032		SRW-8(A)X3/8PH.WFR HD 7/16DIAXNICL
16	006787-000	2	INSULATION,DOOR,SIDE,SUPERWOOL,,25,VDSC530
17	004176-000	1	DOOR SKIN INSULATION RETAINER ASSY
18	009427-000	1	BRACKET, DOOR, LH, VDSC18, SKIN
19	009428-000	1	BRACKET, DOOR, RH, VDSC18, SKIN
20	006788-000	1	INSULATION,DOOR,TOP,SUPERWOOL,,25,VDSC530
21	002724-000	1	DOOR SKIN HEAT SINK, 30
22	PD020073		SRW NO.10 X 24 X 3/8 WAFER HD TYPE23
23	PD030010	1	NO.10-24 KEPS NUT
24	002736-000	1	NO.10-32 PAN HEAD PHILLIPS MACHINE SCREW
25	PD020063	1	SCREW-NO.8(A) X 3/8PH WFR HD/BK OXID
26	004526-000	1	FASTENER,SCR,TPGS,TRH,PHLP,NO.10-1/2
27	PD020033	1	SRW-NO.10-24X1/2T(23)PH.WFR HD (NKL)
28	049011-000	1	DOOR, OS, KIT, 30 ASM
29	049015-000	1	DOOR ASSEMBLY, SS 30
29	051471-002	1	DOOR ASSEMBLY, BK 30
29	051471-024	1	DOOR ASSEMBLY, AR 30
29	051471-008	1	DOOR ASSEMBLY, BU 30
29	051471-013	1	DOOR ASSEMBLY, CB 30
29	051471-005	1	DOOR ASSEMBLY, GG 30
29	051471-006	1	DOOR ASSEMBLY, WH 30
30	049012-000	1	DOOR, OS, KIT, 30 ASM