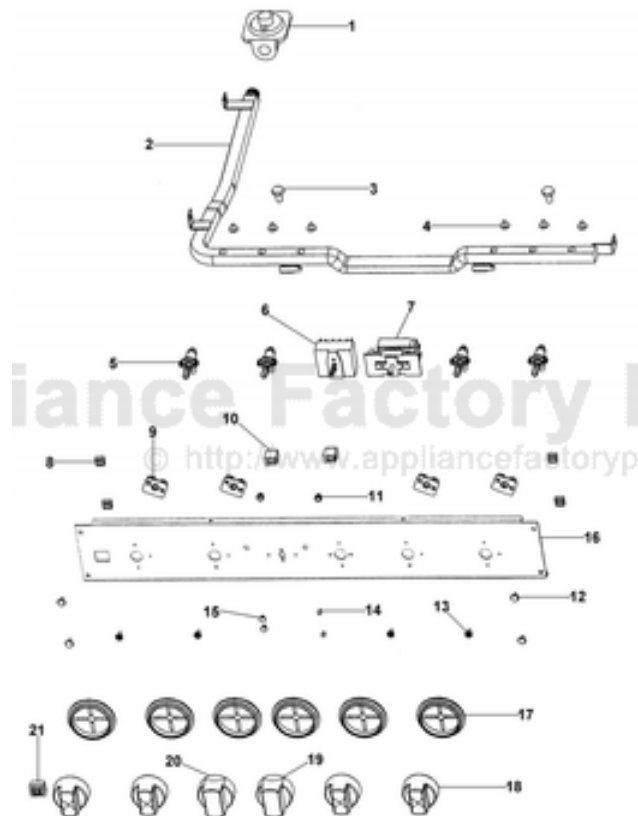


This Owner's Manual is provided and hosted by [Appliance Factory Parts](#).



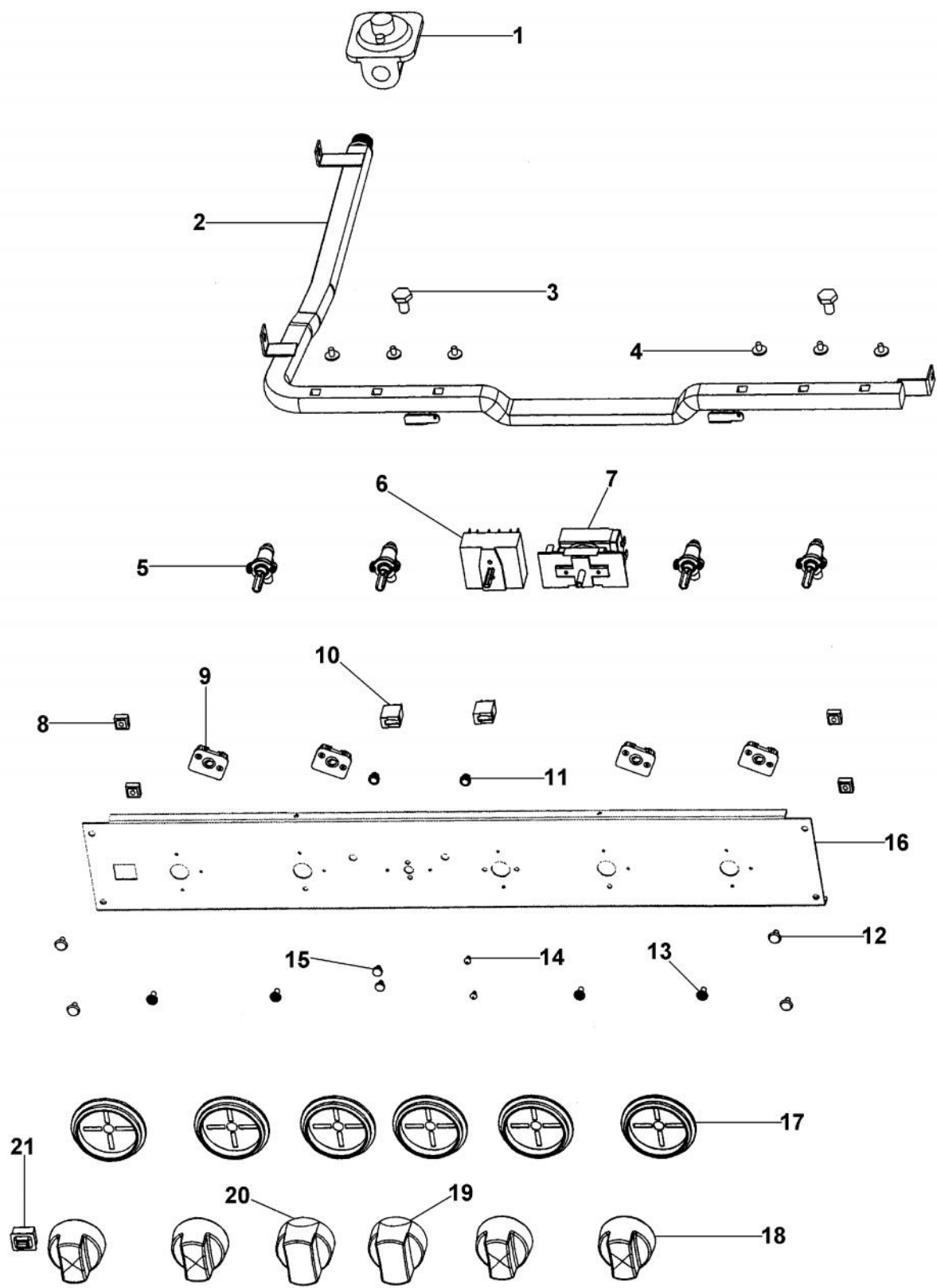
# VIKING VDSC305\_2 Owner's Manual

[Shop genuine replacement parts for VIKING  
VDSC305\\_2](#)

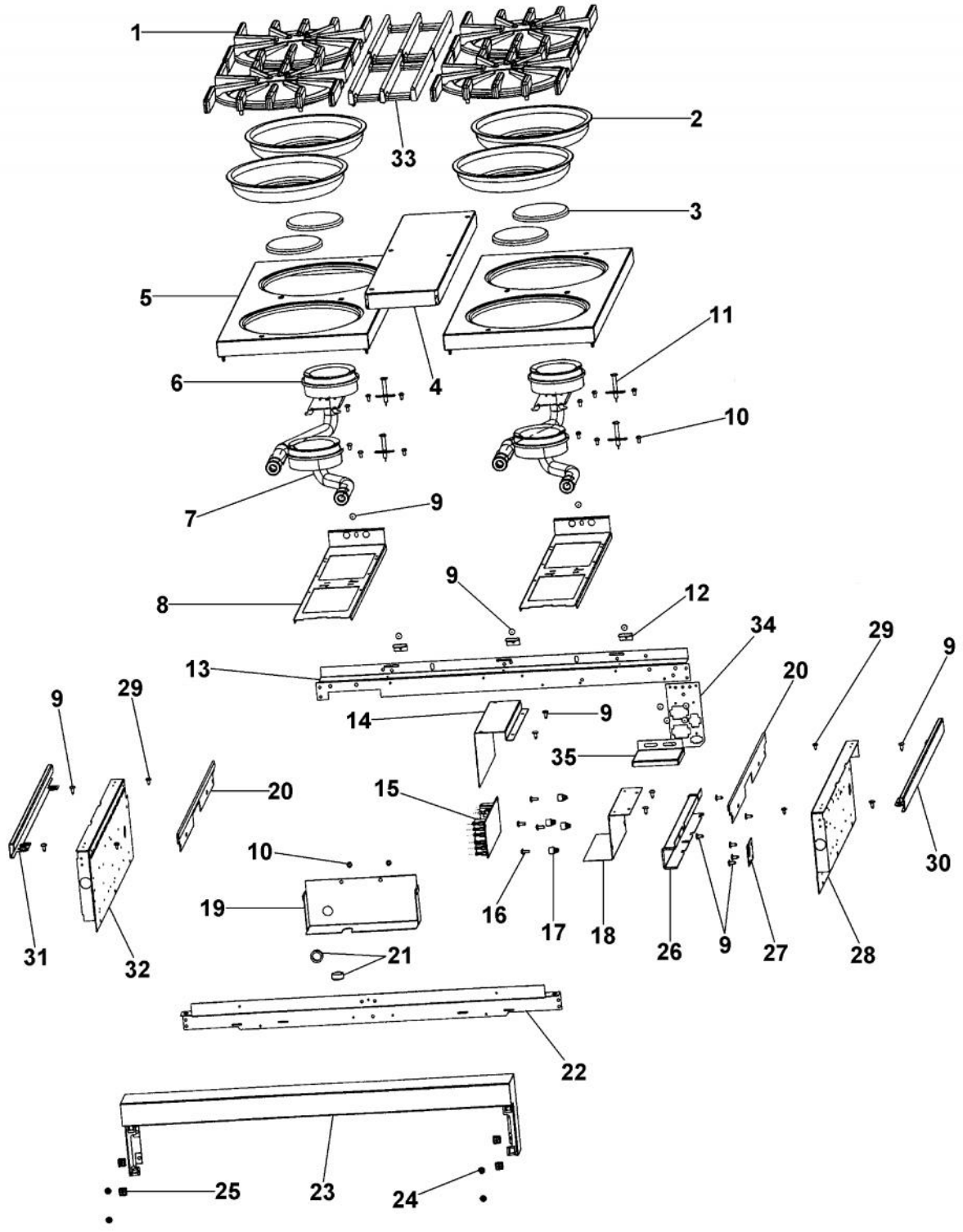


[Find Your VIKING Range Hoods Parts - Select From 411 Models](#)

----- Manual continues below -----

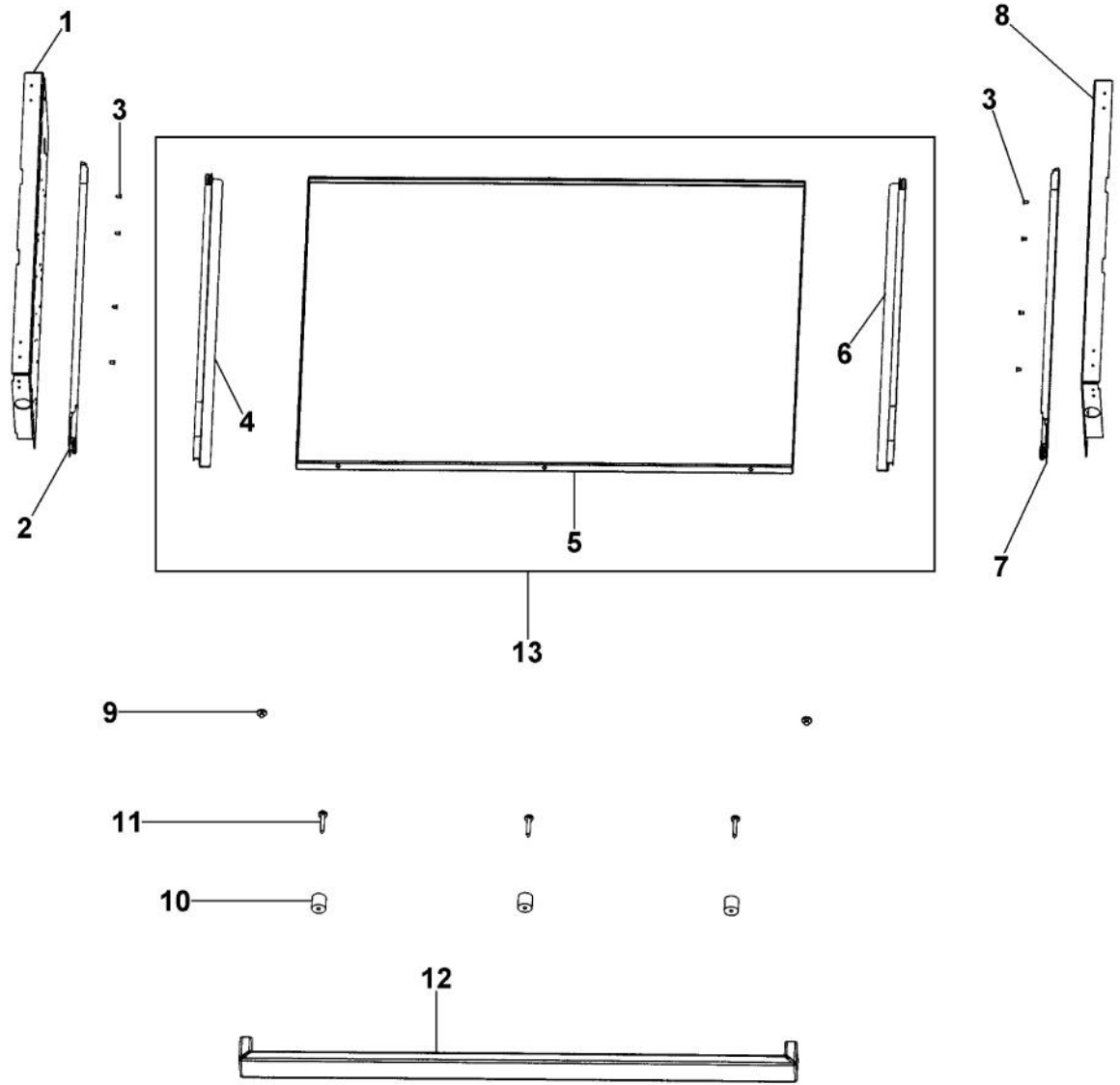


Ref #	Part Number	Qty.	Description
1	PA070001		PRESSURE REGULATOR (NAT.)
2	PA050095		MANIFOLD PIPE - 30
3	PA010012		ROPER PLUG
4	PD010012		VALVE BOLT 1/4-20 UNC-2B 5/16 M.S.
5	003519-000		PA010024 VALVE AND BOLT KIT (BEFORE 08/09/02)
	003519-000		PA010024 VALVE AND BOLT KIT (BETWEEN 08/09/02 AND 02/23/05)
	PA010157		SUB TO 003515-000 - RANGE TOP BURNER VALVE (AFTER 02/23/05)
NI	PB040034		ORIFICE HOOD-NO.50 (NAT)
NI	PB040036		ORIFICE HOOD-NO.57 (LP)
6	PJ030001		SELECTOR SWITCH (8-POSITION) VDSC
7	PJ030003		THERMOSTAT (SELF-CLEAN) VDSC (BEFORE 02/02/05)
	PJ030031		SUB TO PS500032 - UPPER THERMOSTAT (AFTER 02/02/05)
8	PD030005		SELF RETAINING NUT
9	PA020015		SPARK IGNITION SWITCH (BEFORE 02/23/05)
	PA020045		IGNITOR SWITCH (AFTER 02/23/05)
10	PE050024		OVEN IND. LIGHT (LIGHT HOUSING)
11	PE050023		OVEN IND. LIGHT (LENS & BEZEL)
12	PD020033		SRW-NO.10-24X1/2T(23)PH.WFR HD (NKL)
13	PD020046		NO.8 X 1/2 SCREWS
14	PD020006		NO.6-32 X 1/4 PH.PAN HD. T(F)
15	PD020044		NO.8-32 X 1/4 PH. TR. HD. M.S.
16	B9202455		CTRL PAN- (VDSC30) (BEFORE 01/03/97)
	B92010453		CONTROL PANEL -VDSC30 (AFTER 01/03/97)
NI	PE070152		CTRL PAN RESTRAINING STRAP
17	PB010208		BEZEL, CHROME PLATE
	PB010209		BEZEL BRASS
18	PA010034		TOP BURNER KNOB-XBKX (NEW STYLE) (BEFORE 08/09/02)
	PA010035		BURNER KNOB-WH NS REPL PA010028 (BEFORE 08/09/02)
	PB010206		VGSC,VGRC,VGRT TOP BURNER KNOB(BK) (AFTER 08/09/02)
	PB010207		VGSC,VGRC,VGRT TOP BURNER KNOB(WH) (AFTER 08/09/02)
19	PB010129		THERMOSTAT KNOB XBKX (VDSC)
	PB010130		THERMOSTAT KNOB XWHX (VDSC)
20	PB010131		SELECTOR KNOB - BK
	PB010132		SELECTOR KNOB XWHX (VDSC)
21	PE050016		OVEN LIGHT SWITCH - XBKX (WES-GAR)
	PE050017		OVEN LIGHT SWITCH - XWHX (WES-GAR)

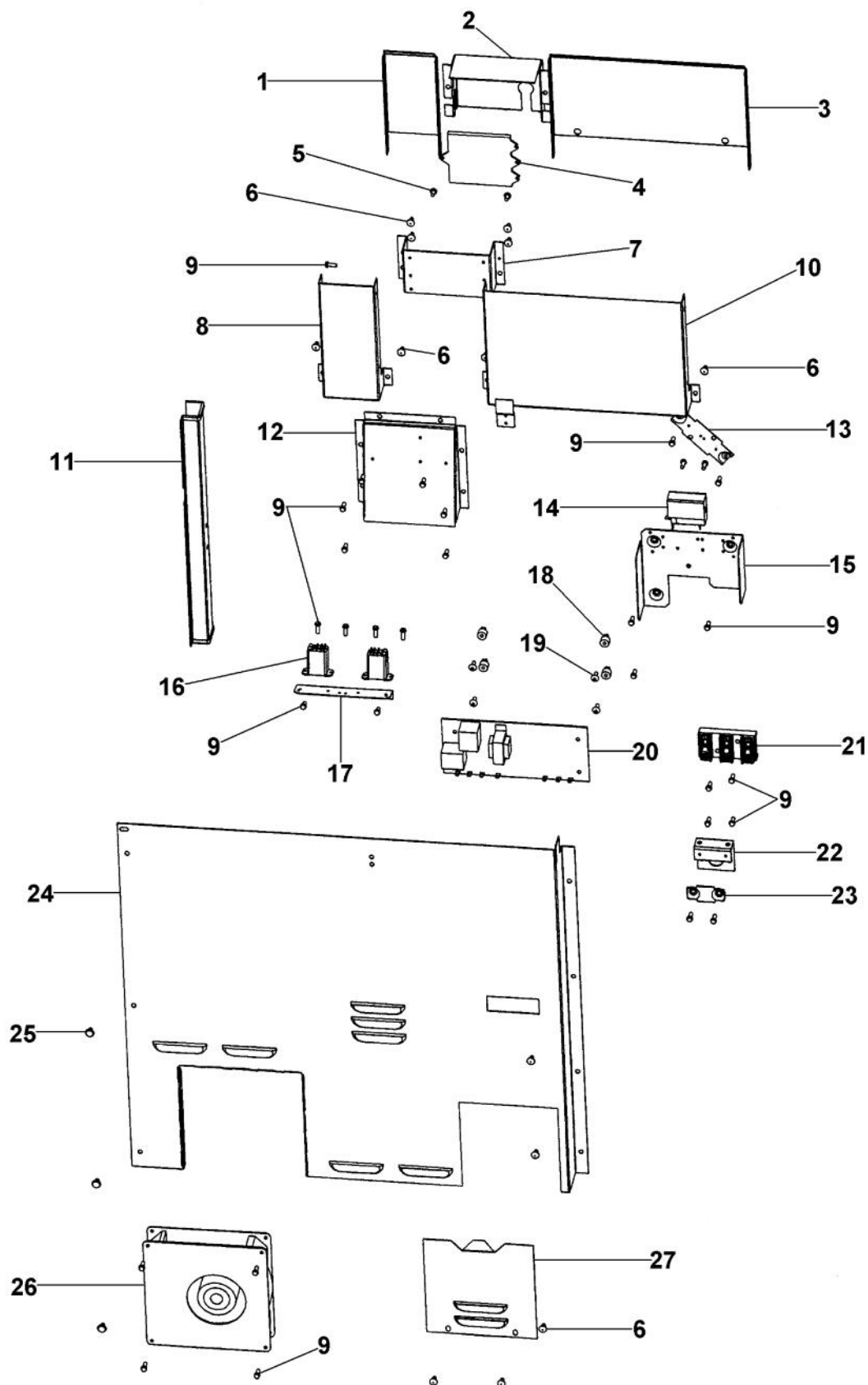


Ref #	Part Number	Qty.	Description
1	PA060037		GRATE BK REPL PA060024 (GEN.NO.2)
	PA060038		GRAY GRATES
2	PA030002AL		BURNER BOWL - AL
	PA030002BK		BURNER BOWL (VGRT) XXBKXX
	PA030002BT		BURNER BOWL - BT
	PA030002CB		BURNER BOWL - CB
	PA030002EP		BURNER BOWL - EP
	PA030002FG		BURNER BOWL - FG
	PA030002GG		BURNER BOWLS - GG
	PA030002LE		BURNER BOWLS - LE
	PA030002MJ		BURNER BOWL (VGRT) XXMJXX
	PA030002SG		BURNER BOWL - SG
	PA030002VB		BURNER BOWL (VGRT) XXVBXX
	PA030002WH		BURNER BOWL (VGRT) XXWHXX
3	PA080015		BURNER CAP-VGRT XBKX
	PA080016		BURNER CAP-VGRT (GRAY-MATT)
4	E9101408AL		CENTER WORK SPACE (BEFORE 06/15/00) - AL (BEFORE 06/15/00)
	E9101408BK		CENTER WORK SPACE (BEFORE 06/15/00) - BK (BEFORE 06/15/00)
	E9101408BT		CENTER WORK SPACE (BEFORE 06/15/00) - BT (BEFORE 06/15/00)
	E9101408CB		CENTER WORK SPACE (BEFORE 06/15/00) - CB (BEFORE 06/15/00)
	E9101408EP		CENTER WORK SPACE (BEFORE 06/15/00) - EP (BEFORE 06/15/00)
	E9101408FG		CENTER WORK SPACE (BEFORE 06/15/00) - FG (BEFORE 06/15/00)
	E9101408GG		CENTER WORK SPACE (BEFORE 06/15/00) - GG (BEFORE 06/15/00)
	E9101408LE		CENTER WORK SPACE (BEFORE 06/15/00) - LE (BEFORE 06/15/00)
	E9101408MJ		CENTER WORK SPACE (BEFORE 06/15/00) - MJ (BEFORE 06/15/00)
	E9101408SG		CENTER WORK SPACE (BEFORE 06/15/00) - SG (BEFORE 06/15/00)
	E9101408VB		CENTER WORK SPACE (BEFORE 06/15/00) - VB (BEFORE 06/15/00)
	E9101408WH		CENTER WORK SPACE (BEFORE 06/15/00) - WH (BEFORE 06/15/00)
	E9104416AL		CENTER GRATE SUPPORT (AFTER 06/15/00) - AL (AFTER 06/15/00)
	E9104416BK		CENTER SPACER (VGSC306) XBKX (AFTER 06/15/00)
	E9104416BT		CENTER GRATE SUPPORT (AFTER 06/15/00) - BT (AFTER 06/15/00)
	E9104416CB		CENTER SPACER (VGSC306) XCBX (AFTER 06/15/00)
	E9104416EP		CENTER GRATE SUPPORT (AFTER 06/15/00) - EP (AFTER 06/15/00)
	E9104416FG		CENTER GRATE SUPPORT (AFTER 06/15/00) - FG (AFTER 06/15/00)
	E9104416GG		CENTER GRATE SUPPORT (AFTER 06/15/00) - GG (AFTER 06/15/00)
	E9104416LE		CENTER GRATE SUPPORT (AFTER 06/15/00) - LE (AFTER 06/15/00)
	E9104416MJ		CENTER GRATE SUPPORT (AFTER 06/15/00) - MJ (AFTER 06/15/00)
	E9104416SG		CENTER GRATE SUPPORT (AFTER 06/15/00) - SG (AFTER 06/15/00)

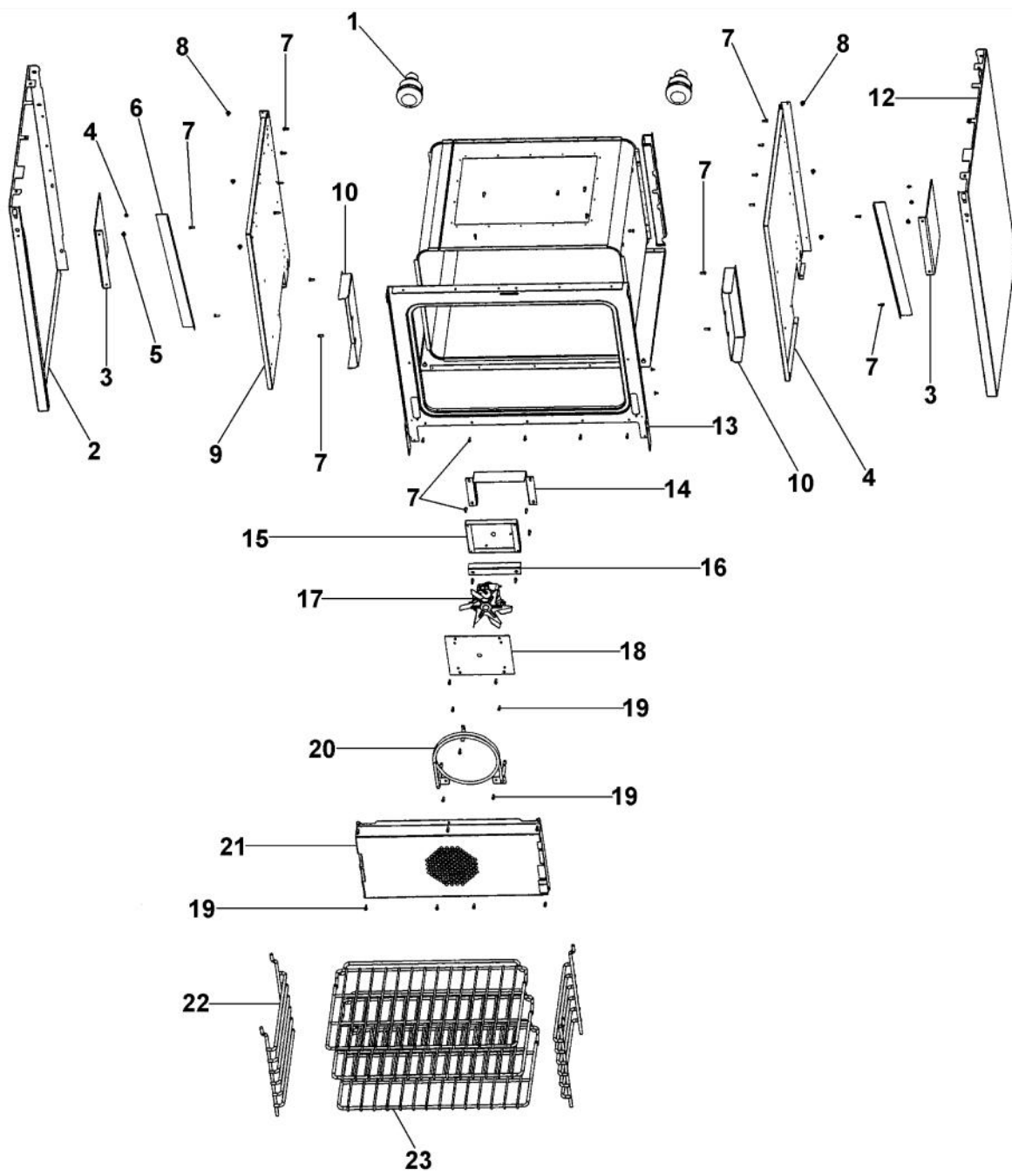
Ref #	Part Number	Qty.	Description
	E9104416VB		(AFTER 06/15/00) CENTER GRATE SUPPORT (AFTER 06/15/00) - VB
	E9104416WH		(AFTER 06/15/00) CENTER SPACER (VGSC306) XWHX (AFTER 06/15/00)
5	G50013584AL		BURNER GRATE SUPPORT ASSEMBLY - AL
	G50013584BK		GRATE SUPPORT SERVICE KIT (BK)
	G50013584BT		GRATE SUPPORT SERVICE KIT (BT) - NLA
	G50013584CB		BURNER GRATE SUPPORT ASSEMBLY - CB
	G50013584EP		BURNER GRATE SUPPORT ASSEMBLY - EP
	G50013584FG		BURNER GRATE SUPPORT ASSEMBLY - FG
	G50013584GG		BURNER GRATE SUPPORT ASSEMBLY - GG
	G50013584LE		BURNER GRATE SUPPORT ASSEMBLY - LE
	G50013584MJ		BURNER GRATE SUPPORT ASSEMBLY - MJ
	G50013584SG		BURNER GRATE SUPPORT ASSEMBLY - SG
	G50013584VB		BURNER GRATE SUPPORT ASSEMBLY - VB
	G50013584WH		GRATE SUPPORT SERVICE KIT (WH)
6	PA080036		TOP BURNER REAR REPL PA080008
7	PA080037		TOP BURNER FRONT REPL PA080007
8	A2001112		BURNER SUPT (VGRT)
9	PD020002		10 X 1/2 PH.TR.HD.SMS.
10	PD020004		10X3/8PH.HD.TYPE 25 REPL PD040125
11	PA020028		SPARK IGNITER
12	A2001147		GRATE SUPT ANGLE (VGRT)
13	A2002364		REAR BURNER SUPT VGSC/SS30
14	A2007419		BOARD COVER (RANGE)
15	PE070148		SELF-CLEAN BOARD/TIMER (VDSC)
16	PD010003		10-24 X 1/2 PH.TR.HD.SERD.M.S.
17	PD030033		GROMMET NUT-ROUND HD. NO.8 X .500DIA.
18	A2007418		MOUNTING BRACKET(RANGE)
19	A2002323		CTRL PAN ELECT. SHIELD (VDSC)
20	A2002343		GRATE SUPT HEAT SHIELD (VGR)
21	PD040005		SNAP BUSHING - 7/8
22	A2001404		FRONT BURNER HOLDER (VGSS)
23	G3001406		LANDING LEDGE ASSY
24	PD020073		SRW NO.10 X 24 X 3/8 WAFER HD TYPE23
25	PD030005		SELF RETAINING NUT
26	A2000210		WIRE CHANNEL
27	A1001138		MANIFOLD BRKT
28	A2002490		BURNER BOX SIDE RH (VDSC)
29	PD020032		SRW-8(A)X3/8PH.WFR HD 7/16DIAXNICL
30	B2002345		SIDE TRIM - RH (VGSS)
	C9302345BR		SIDE TRIM - RH (VGSS) XBRX
31	B2002346		SIDE TRIM - LH (VGSS)
	C9302346BR		SIDE TRIM - LH (VGSS) XBRX
32	A2002491		BURNER BOX SIDE LH (VDSC)
33	PA060049		CENTER GRATE - MATT BK (AFTER 6/15/00)
	PA060050		CENTER GRATE - MATT GRAY (AFTER 6/15/00)
34	A2002492		DISCONNECT PLUG BRKT (VDSC)
35	A2000667		SHIELD - OUTLET VRTR
NI	PB070034		INSULATION-TRS-10 1 X 20 X 3'
NI	PD030109		INSULATED CLAMP



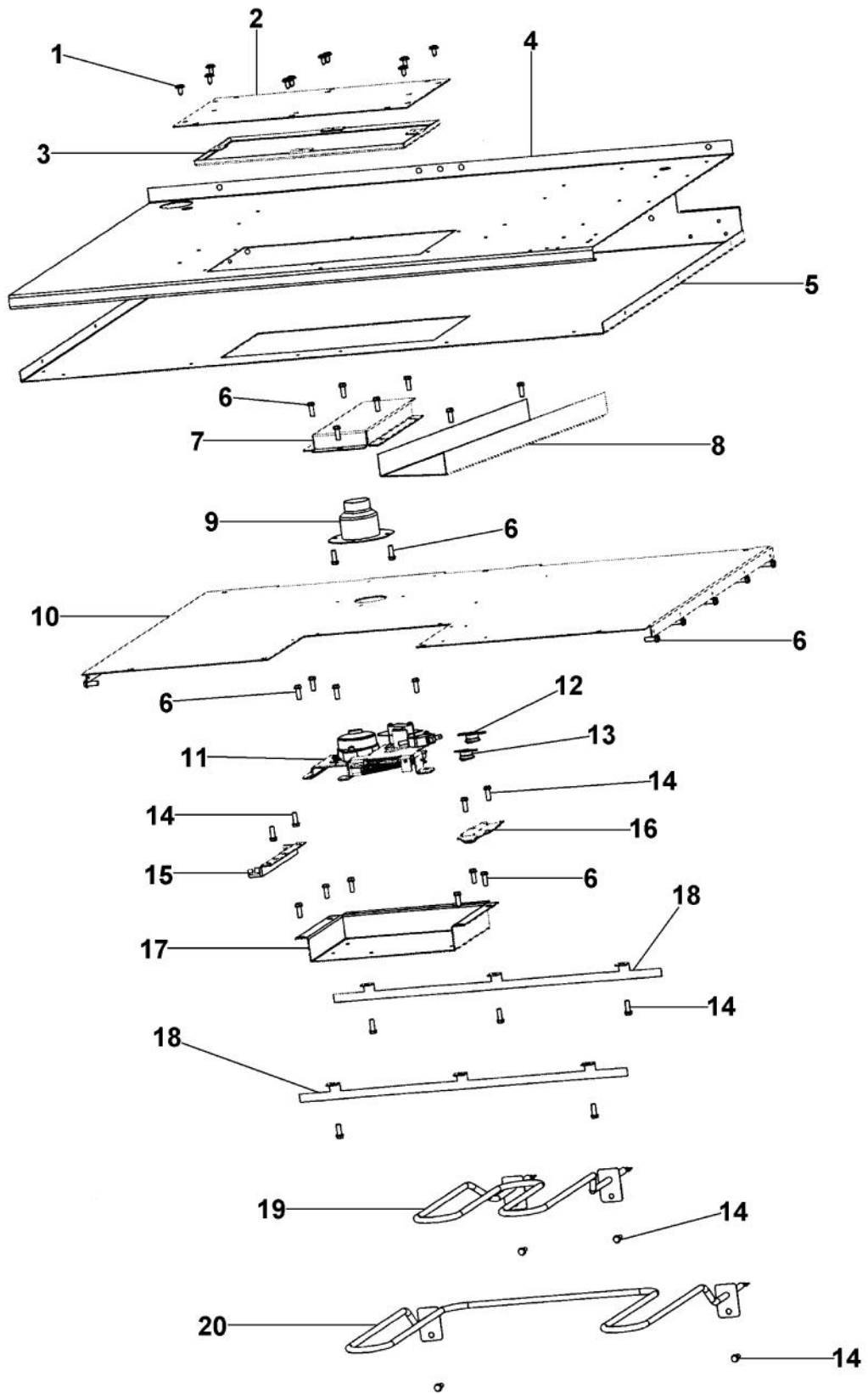
Ref #	Part Number	Qty.	Description
1	A2002491		BURNER BOX SIDE LH (VDSC)
2	PK000007		DRIP TRAY GUIDE - LH (VGRT)
3	PC040010		POP RIVET
4	PK000009		RUNNER, DRIP TRAY - LH (VGRT)
5	A30012198		30 DRIP TRAY
6	PK000010		RUNNER, DRIP TRAY - RH (VGRT)
7	PK000008		DRIP TRAY GUIDE - RH
8	A2002490		BURNER BOX SIDE RH (VDSC)
9	PD040004		GROMMET BUMPER
10	PD040028		BUSHING(.194ID/.750OD/.750LONG)
11	PD020049		NO.10 X 1 1/4 PH. PAN HD. T(A)
12	G3002584		DRIP TRAY HANDLE - SS (BEFORE 03/2404)
	G9302585BR		SUB TO G9302585PVD - DT HND ASSY D/F (BEFORE 03/2404)
	G30010695		DRIP TRAY HANDLE ASSY 30 (AFTER 03/24/04)
	G93011458PVD		DRIP TRAY HANDLE ASSY 30 PVD (AFTER 03/24/04)
13	G3002599		DRIP TRAY (VDSC305) (BEFORE 11/18/04)
	G30010454		30 DRIP TRAY ASSY (AFTER 11/18/04)



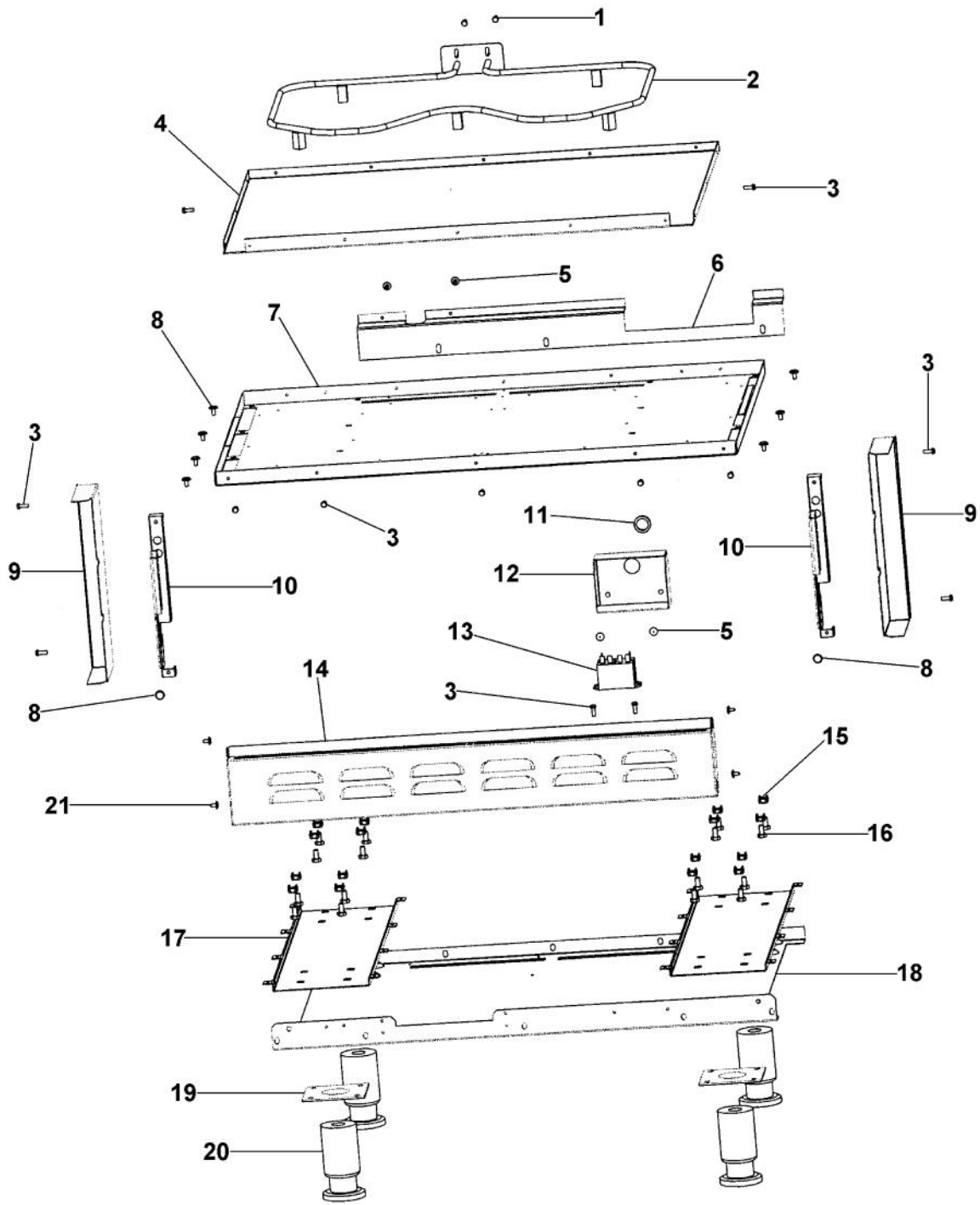
Ref #	Part Number	Qty.	Description
1	A2002483		AIR FLUE (VDSC)
2	A2002494		SPARK MODULE COVER (VDSC)
3	A2002485		AIR FLUE (LARGE-FRONT) VDSC
4	PA020047		INVENSYS 0+4 RE-IGNITION SPARK MODULE
NI	PB070191		INSULATION PAD
5	PD020004		10X3/8PH.HD.TYPE 25 REPL PD040125
6	PD020002		10 X 1/2 PH.TR.HD.SMS.
7	A2002493		SPARK MODULE PLATE (VDSC)
8	A2002484		AIR FLUE (VDSC)
9	PD020060		10 X 1/2 (5/16)HEX WSHR HD.(T)A
10	A2002486		AIR FLUE (LARGE-BACK) VDSC
11	A2000210		WIRE CHANNEL
12	A2002180		COOLING FAN HOUSING (VDSC)
13	A1002456		THERMO-DISC BRKT (VDSC)
14	PJ030002		AUTO RESET (SELF-CLEAN) VDSC
15	A2002193		ELECTRICAL MOUNTING BRKT (VDSC)
16	PM010025		RELAY (DOUBLE POLE-DOUBLE THROW)
17	A2007827		RELAY MOUNTING BRACKET
18	PD030033		GROMMET NUT-ROUND HD. NO.8 X .500DIA.
19	PD010003		10-24 X 1/2 PH.TR.HD.SERD.M.S.
20	PE070308		PRE-HEAT BOARD
21	PE070147		TERMINAL BLOCK
22	A2002195		POWER CORD MOUNTING BRKT (VDSC)
23	A1002457		POWER CORD MOUNTING STRAP (VDSC)
24	A2004297		UPPER BACK COVER (VDSC305)
25	PD020033		SRW-NO.10-24X1/2T(23)PH.WFR HD (NKL)
26	PE050026		COOLING FAN (VDSC)
27	A2002454		BACK COVER ACCESS DOOR
NI	PB070074		TRS-10 3 X 20 X 3' INSULATION (SELF-CLEAN)
NI	A2002654		ANTI-TIP DEVICE (VDSC)



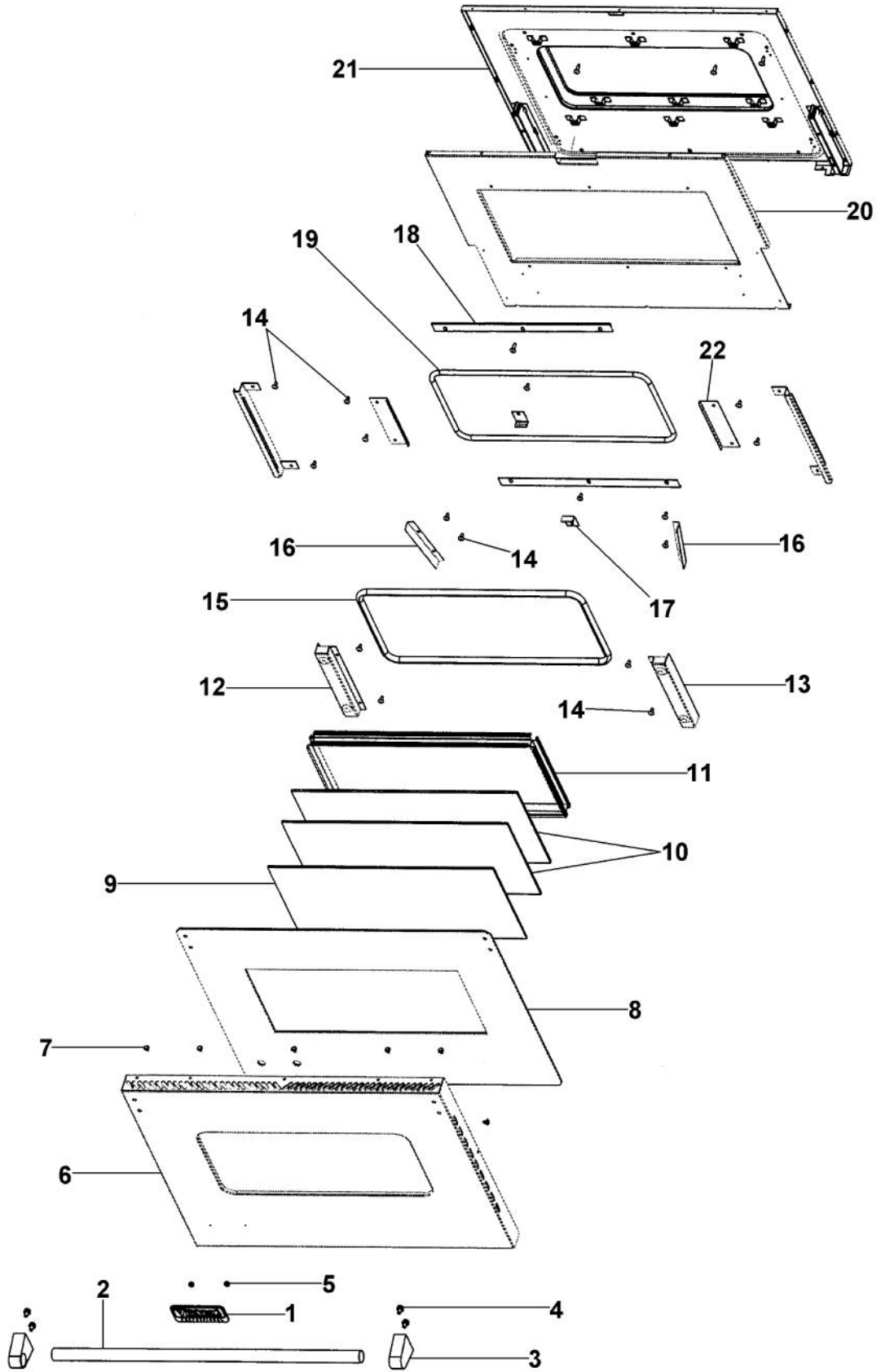
Ref #	Part Number	Qty.	Description
1	PE050009		OVEN LIGHT SOCKET - 36 BUILT-IN
2	B2002598		O/S BODY PANEL LH (SS)
	C9002598AL		BODY PNL LH 30" REPL C9001922AL
	C9002598BK		BODY PNL LH 30" REPL C9001922BK
	C9002598BT		O/S BODY PANEL-LH XBTX (VDSC)
	C9002598BU		BODY PNL LH 30" REPL C9001922BU
	C9002598CB		O/S BODY PANEL-LH XCBX (VDSC)
	C9002598EP		O/S BODY PANEL-LH XEPX (VDSC)
	C9002598FG		BODY PNL LH 30" REPL C9001922FG
	C9002598GG		BODY PNL LH 30" REPL C9001922GG
	C9002598LE		O/S BODY PANEL-LH XLEX (VDSC)
	C9002598MJ		O/S BODY PANEL-LH XMJX (VDSC)
	C9002598SG		O/S BODY PANEL-LH XSGX (VDSC)
	C9002598VB		BODY PNL LH 30" REPL C9001922VB
	C9002598WH		BODY PNL LH 30" REPL C9001922WH
3	J2002593		OVEN SIDE HEAT SINK
4	PD030010		NO.10-24 KEPS NUT
5	PD020073		SRW NO.10 X 24 X 3/8 WAFER HD TYPE23
6	A2002475		SIDE PANEL DIVERTER (VDSC)
7	PD020060		10 X 1/2 (5/16)HEX WSHR HD.(T)A
8	PD020033		SRW-NO.10-24X1/2T(23)PH.WFR HD (NKL)
9	A2002156		OVEN SIDE INSUL.RETAINER-LH(VDSC)
10	A2002183		HINGE INSULATION COVER (VDSC)
11	A2002155		OVEN SIDE INSUL.RETAINER-RH(VDSC)
12	B2002597		O/S BODY PANEL - RH (SS)
	C9002597AL		O/S BODY PANEL-RH XALX (VDSC)
	C9002597BK		BODY PNL RH BK REPL C9001921BK
	C9002597BT		O/S BODY PANEL-RH XBTX (VDSC)
	C9002597BU		BODY PNL RH BU REPL C9001921BU
	C9002597CB		O/S BODY PANEL-RH XCBX (VDSC)
	C9002597EP		O/S BODY PANEL-RH XEPX (VDSC)
	C9002597FG		BODY PNL RH FG REPL C9001921FG
	C9002597GG		BODY PNL RH GG REPL C9001921GG
	C9002597LE		O/S BODY PANEL-RH XLEX (VDSC)
	C9002597MJ		O/S BODY PANEL-RH XMJX (VDSC)
	C9002597SG		O/S BODY PANEL-RH XSGX (VDSC)
	C9002597VB		BODY PNL RH VB REPL C9001921VB
	C9002597WH		BODY PNL RH WH REPL C9001921WH
13	G9102743		OVEN FRONT FRAME ASSY (VDSC30)
14	A2008440		ALL SIDE FAN INSULATION SHIELD
15	A2002595		CONVECTION FAN BOX (VDSC)
16	A2001745		FAN INSUL. SHIELD - UPPER / LOWER
NI	PB070208		CONVECTION FAN INSULATION
17	PE050005		CONVECTION FAN ASSY
18	A1002596		CONVECTION FAN COVER (VDSC)
19	PD020048		NO.10 X 1/2 TEK 410 SS SCREW
20	PJ010003		CONVECTION ELEMENT (VDSC) 240V
21	E9102170		CONVECTION FAN COVER
22	PB060030		RACK SUPT REPL PB060010
23	PB060044		OVEN RK VDSC30/48RH REPL PB060019
NI	E9107933		BROILER PAN
NI	E9107934		BROILER PAN INSERT



Ref #	Part Number	Qty.	Description
1	PD020032		SRW-8(A)X3/8PH.WFR HD 7/16DIAXNICL
2	A1006344		DOOR LOCK ACCESS PANEL 48
3	A20011246		VDSC487 DOOR LOCK INSUL. BOX
NI	PB070268		DOOR LOCK BOX INSULATION
4	A2001401		INSULATION PANEL
5	A2002496		BURNER BOX BTM (VDSC30)
6	PD020060		10 X 1/2 (5/16)HEX WSHER HD.(T)A
7	A2002479		SMOKE ELIMINATOR VENT (VDSC)
8	A2002450		LATCH COOLING DUCT (VDSC)
9	PM010014		SMOKE ELIMINATOR (VDSC)
10	A2002160		OVEN TOP INSUL.RETAINER (VDSC)
11	PE050053		DR LATCH REPL PE050020
12	PJ030005		SWITCH (HIGH-LIMIT) VDSC
13	PJ030006		SWITCH (COOLING FAN)
14	PD020048		NO.10 X 1/2 TEK 410 SS SCREW
15	B20012039		THERMAL BULB BRACKET
16	A1002456		THERMO-DISC BRKT (VDSC)
17	A2002168		DOOR LATCH BRKT (VDSC)
18	B20012072		BROILER ELEMENT BRACKET
19	PJ010001		BROIL ELEMENT 240V
20	PJ010002		BROIL ELEMENT(MAXI)-SIDE (VDSC)240V
NI	PB070074		TRS-10 3 X 20 X 3` INSULATION (SELF-CLEAN)

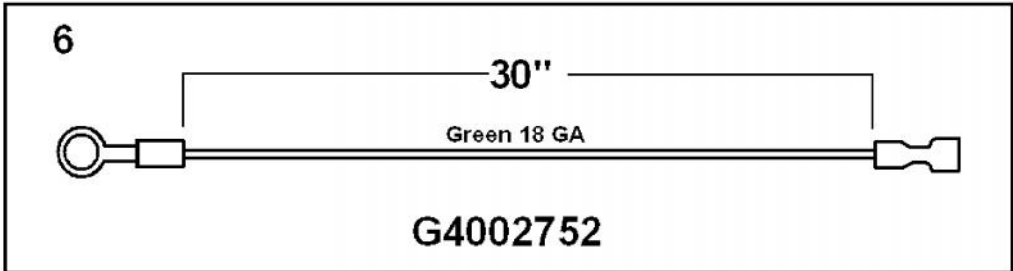
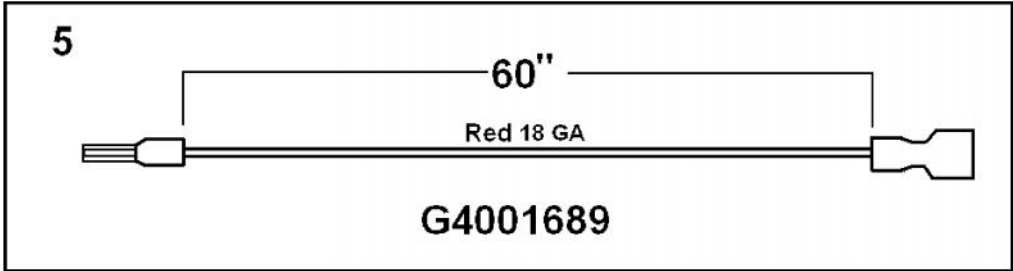
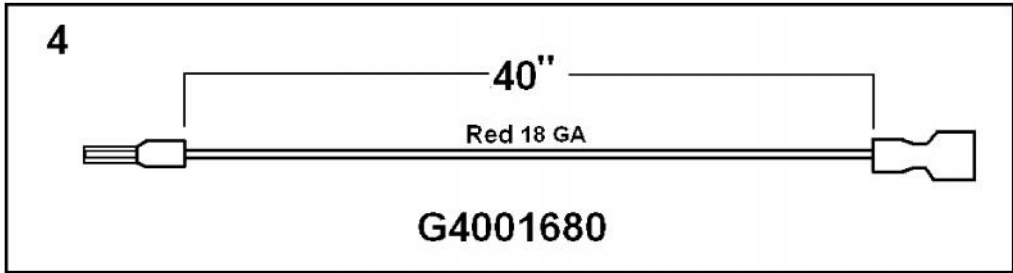
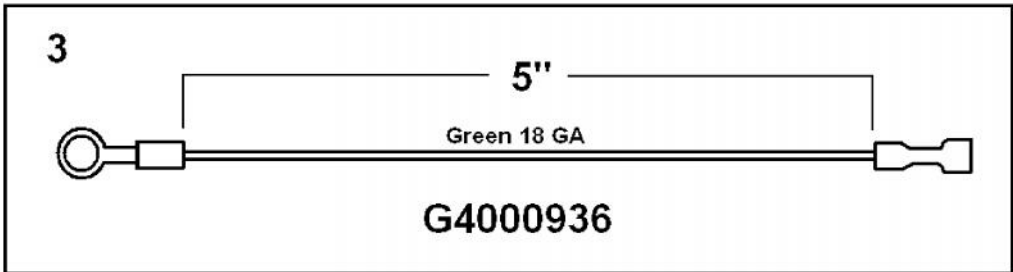
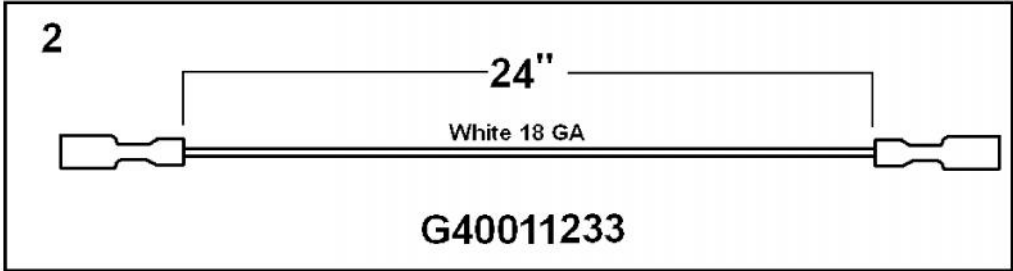
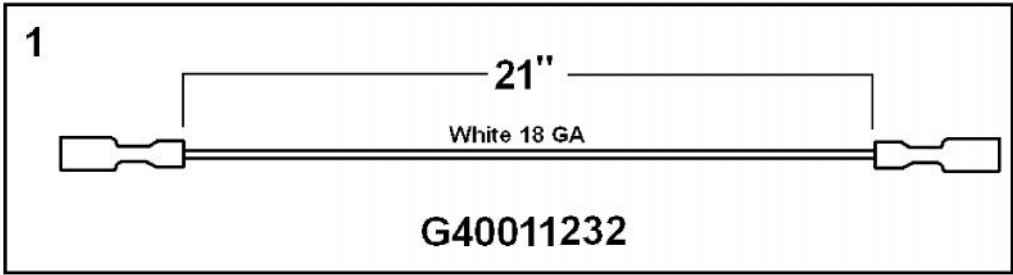


Ref #	Part Number	Qty.	Description
1	PD020048		NO.10 X 1/2 TEK 410 SS SCREW
2	PJ010004		BAKE ELEMENT (VDSC) 240V
3	PD020060		10 X 1/2 (5/16)HEX WSHR HD.(T)A
4	A2002157		OVEN BTM INSUL.RETAINER (VDSC)
5	PD020002		10 X 1/2 PH.TR.HD.SMS.
6	A2004294		LOWER BACK COVER (VDSC305)
7	A2002481		BTM INSULATION SHIELD (VDSC)
8	PD020033		SRW-NO.10-24X1/2T(23)PH.WFR HD (NKL)
9	A2002183		HINGE INSULATION COVER (VDSC)
10	PC020009		HINGE ASSY (BROWN)
11	PD040005		SNAP BUSHING - 7/8
12	A2002451		FRONT RELAY BRKT (VDSC)
13	PM010129		RELAY
14	B2001815		LOWER ACC PAN - (VGRC605)
	C9001815AL		LOWER ACC PAN - XALX (VGRC605)
	C9001815BK		LOWER ACC PAN - XBKX (VGRC605)
	C9001815BT		LOWER ACC PAN - XBTX (VGRC605)
	C9001815BU		LOWER ACC PAN - XBUX (VGRC605)
	C9001815CB		LOWER ACC PAN - XCBX (VGRC605)
	C9001815EP		LOWER ACC PAN - XEPX (VGRC605)
	C9001815FG		LOWER ACC PAN - XFGX (VGRC605)
	C9001815GG		LOWER ACC PAN - XGGX (VGRC605)
	C9001815LE		LOWER ACC PAN - XLEX (VGRC605)
	C9001815MJ		LOWER ACC PAN - XMJX (VGRC605)
	C9001815SG		LOWER ACC PAN - XSGX (VGRC605)
	C9001815VB		LOWER ACC PAN - XVBX (VGRC605)
	C9001815WH		LOWER ACC PAN - XWHX (VGRC605)
15	PD030029		SELF RETAINING NUT (1/4-20)
16	PD010006		HEX HD. BOLT - 1/4-20 X 1/2
17	A2002482		LEG BRACE (VDSC)
18	A2002480		MAIN BTM (VDSC)
19	PC030007		LEG PLATE - 3/4 THREADED HOLE
20	PC030017		4 LEG ASSY
21	PD020032		SRW-8(A)X3/8PH.WFR HD 7/16DIAXNICK
NI	PB070074		TRS-10 3 X 20 X 3' INSULATION (SELF-CLEAN)
NI	019497-000	1	30 CURB BASE KIT

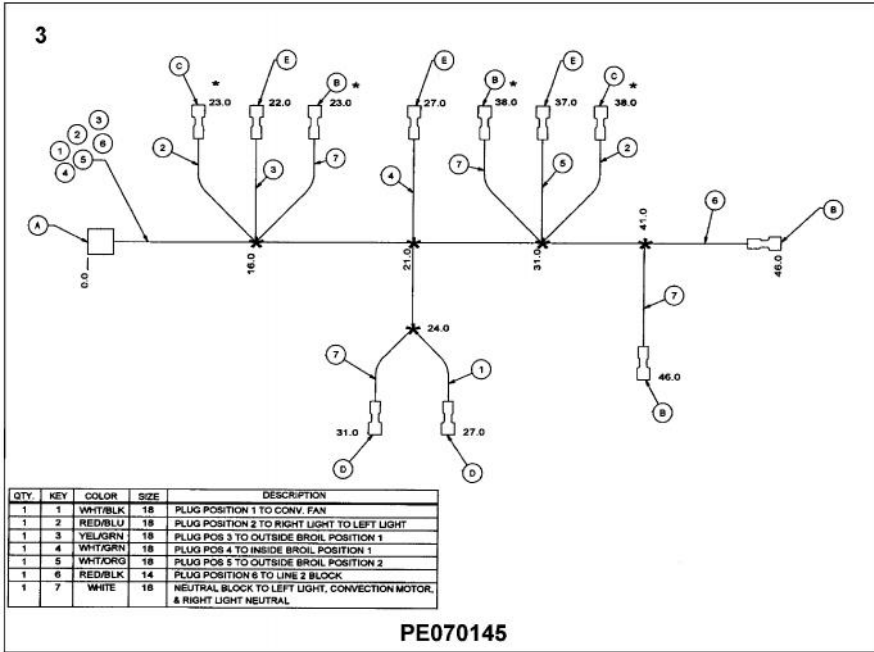
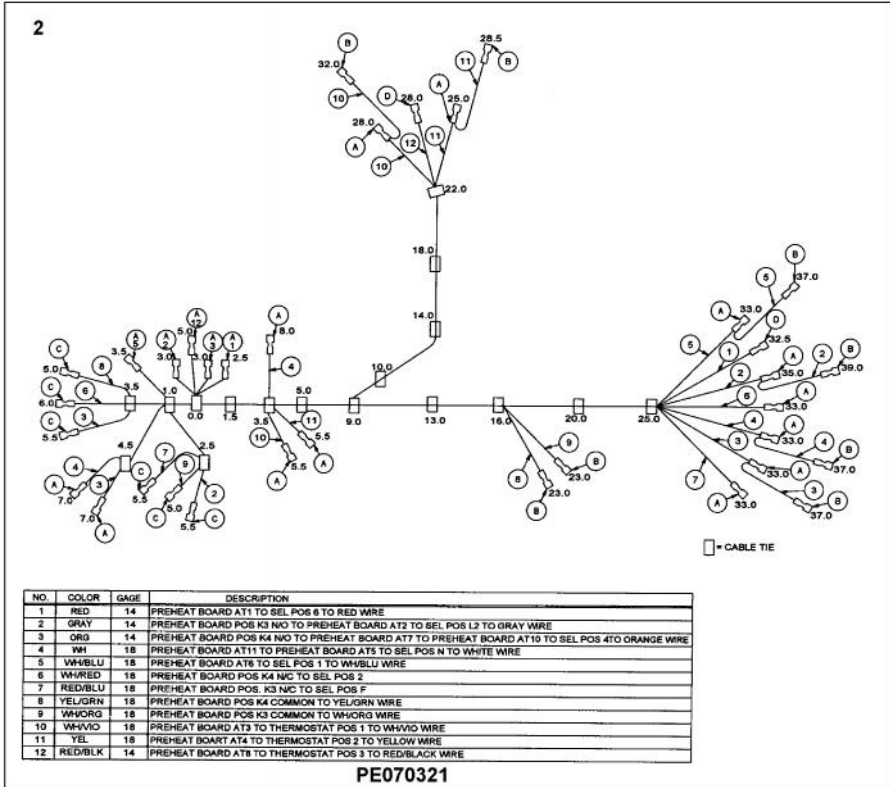
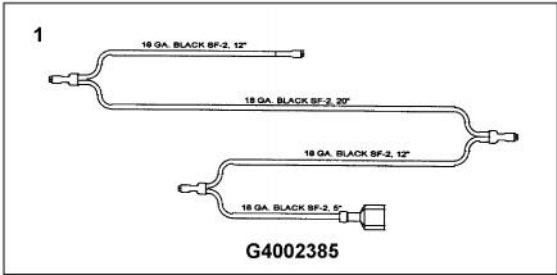


Ref #	Part Number	Qty.	Description
NI	PB070041		SUB TO 000623-000 - DOOR GASKET(3/8DIA.) (VDSC)
1	PE010016		NAMEPLATE, LOGO, PRO
	PE010017		LOGO (VGSO,VEDO,VGDO,VUD) XWH/CHR
	PE010079		4.5 LOGO/VIKING PROF, BK/BR
	PE010080		4.5 LOGO/VIKING PROF XWH/BR
2	PE030005		DOOR HANDLE - VGSC30/RC60/RC48RH
	PE030012		HANDLE - BR
3	PE030001		BRACKET, DOOR, HANDLE
	PE030001PVD		END CAP DOOR HANDLE XBR
4	PD010019		BLT-1/4-20X3/8HEX WASHER SERATED
5	PD030006		CAPPED WASHER PAL NUT
6	B2002188		O/S DOOR PANEL XSSX (VDSC30)
	C9002188AL		O/S DOOR PANEL-XALX (VDSC30)
	C9002188BK		O/S DOOR PANEL-XBKX (VDSC30)
	C9002188BT		O/S DOOR PANEL-XBTX (VDSC30)
	C9002188BU		O/S DOOR PANEL-XBUX (VDSC30)
	C9002188CB		O/S DOOR PANEL-XCBX (VDSC30)
	C9002188EP		O/S DOOR PANEL-XEPX (VDSC30)
	C9002188FG		O/S DOOR PANEL-XFGX (VDSC30)
	C9002188GG		O/S DOOR PANEL-XGGX (VDSC30)
	C9002188LE		O/S DOOR PANEL-XLEX (VDSC30)
	C9002188MJ		O/S DOOR PANEL-XMJX (VDSC30)
	C9002188SG		O/S DOOR PANEL-XSGX (VDSC30)
	C9002188VB		O/S DOOR PANEL-XVBX (VDSC30)
	C9002188WH		O/S DOOR PANEL-XWHX (VDSC30)
7	PD020032		SRW-8(A)X3/8PH.WFR HD 7/16DIAXNICL
8	J1002594		OVEN DR HEAT SINK (VDSC30)
9	PE060030		GLASS-OUTER DOOR BK SCREENED,TEMP
10	PE060039		GLASS-HEAT TREATED (HB2) VDSC
11	PE060064		WINDOW PACK, SELF CLEANING OVEN 30
12	A2002499		HINGE POCKET COVER LH
13	A2002498		HINGE POCKET COVER RH
14	PD020002		10 X 1/2 PH.TR.HD.SMS.
15	PE060031		J-MOLD (LARGE WINDOW)
	PE060045		J-MOLD (LARGE WINDOW) XBRX
16	A2002497		DOOR GUIDE ANGLE VDSC
17	A2005669		DOOR GLASS BRACE
18	A2007943		GLASSPACK BRACKET, LARGE
19	PB070150		FIBERGLASS ROPE, 3/8 DIA.
20	A2002169		DOOR INSULATION RETAINER (VDSC30)
21	G50010120		VDSC305/VDSC485RH/VESC305/VESC306 DR LINER SVC-KIT
22	A2002189		DOOR GLASS STANDOFF (VDSC)
NI	G3202172AL		DOOR SUB-ASSY-XALX (VDSC30)
NI	G3202172ALBR		DOOR SUB-ASSY-XALXXBRX VDSC30
NI	G3202172BK		DOOR SUB-ASSY-XBKX (VDSC30)
NI	G3202172BKBR		DOOR SUB-ASSY-XBKXXBRX (VDSC30)
NI	G3202172BT		DOOR SUB-ASSY-XBTX (VDSC30)
NI	G3202172BTBR		DOOR SUB-ASSY-XBTXBRX (VDSC30)
NI	G3202172BU		DOOR SUB-ASSY-XBUX (VDSC30)
NI	G3202172BUBR		DOOR SUB-ASSY-XBUXBRX (VDSC30)
NI	G3202172CB		DOOR SUB-ASSY-XCBX (VDSC30)
NI	G3202172CBBR		DOOR SUB-ASSY-XCBXXBR VDSC30
NI	G3202172EP		DOOR SUB-ASSY-XEPX(VDSC30)
NI	G3202172EPBR		DOOR SUB-ASSY-XEPXBRX (VDSC30)
NI	G3202172FG		DOOR SUB-ASSY-XFGX (VDSC30)
NI	G3202172FGBR		DOOR SUB-ASSY-XFGXXBRX (VDSC30)
NI	G3202172GG		DOOR SUB-ASSY-XGGX (VDSC30)
NI	G3202172GGBR		DOOR SUB-ASSY-XGGX (VDSC30)
NI	G3202172LE		DOOR SUB-ASSY-LEX (VDSC30)
NI	G3202172LEBR		DOOR SUB-ASSY-XLEXXBRX (VDSC30)

Ref #	Part Number	Qty.	Description
NI	G3202172LEBR		DOOR SUB-ASSY-XLEXXBRX (VDSC30)
NI	G3202172MJ		DOOR SUB-ASSY-XMJX (VDSC30)
NI	G3202172MJBR		DOOR SUB-ASSY-XMJXXBRX VDSC30
NI	G3202172SG		DOOR SUB-ASSY-XSGX (VDSC30)
NI	G3202172SGBR		DOOR SUB-ASSY-XSGXXBRX VDSC30
NI	G3202172SS		DOOR SUB-ASSY-XSSX (VDSC30)
NI	G3202172SSBR		DOOR SUB-ASSY-XSSXXBRX (VDSC30)
NI	G3202172VB		DOOR SUB-ASSY-XVBX (VDSC30)
NI	G3202172VBBR		DOOR SUB-ASSY-XVBXXBRX (VDSC30)
NI	G3202172WH		DOOR SUB-ASSY-XWHX (VDSC30)
NI	G3202172WHBR		DOOR SUB-ASSY-XWHXXBRX (VDSC30)

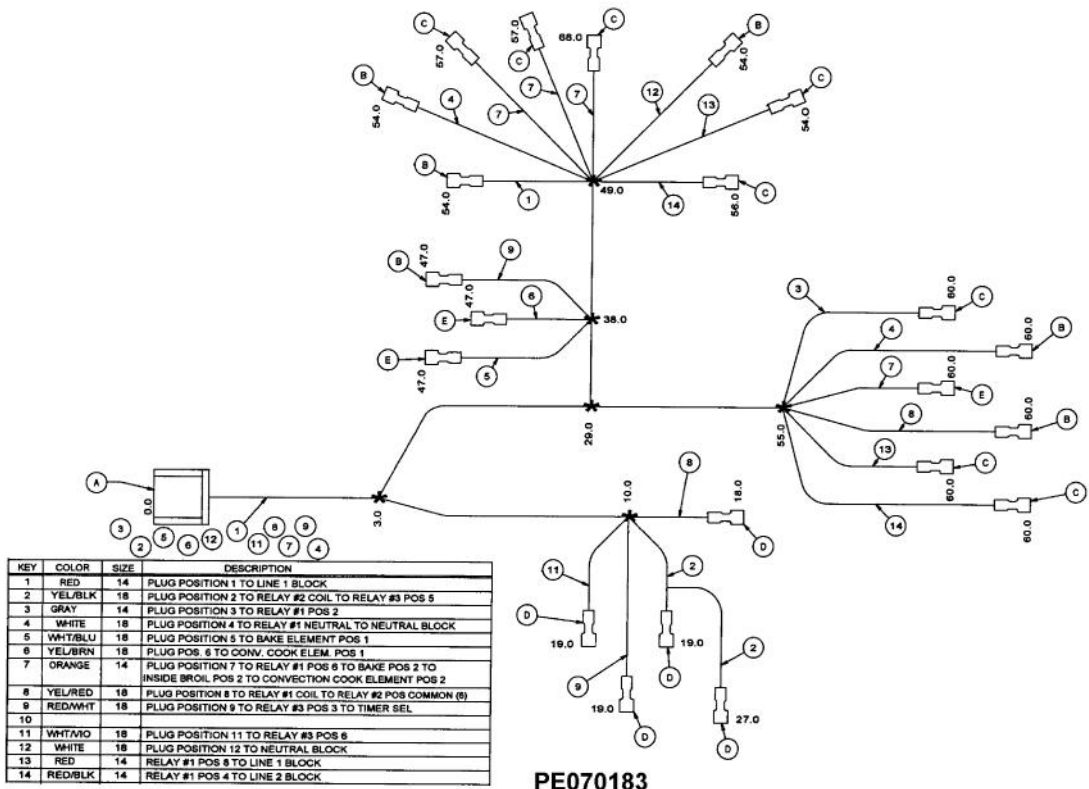


Ref #	Part Number	Qty.	Description
1	G40011232		IGNITER WIRE ASSY 21
2	G40011233		IGNITER WIRE ASSEMBLY - 24''''
3	G4000936		GROUND WIRE
4	G4001680		SPRK MDLE-TOP BRNR VLVE SWITCH (40)
5	G4001689		SPRK MDLE-TOP BRNR VLVE SWITCH (60)

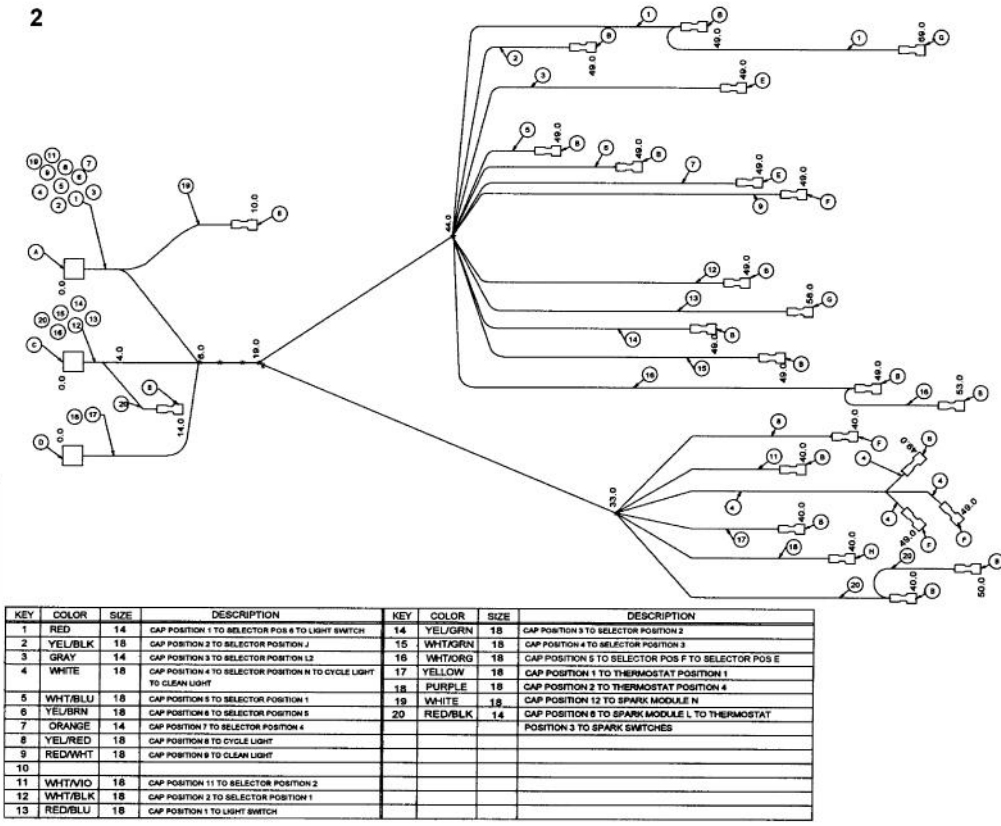


Ref #	Part Number	Qty.	Description
1	G4002385		WIRE HARNESS-SPARK SWITCHES (VDSC30
2	PE070321		RANGE PREHEAT HARNESS
3	PE070145		WIRE HARNESS-6 CIRCUIT (VDSC)

1



2



Ref #	Part Number	Qty.	Description
1	PE070183		HARNESS-12 CIRCUIT
2	PE070182		HARNESS-2/6/12 CIRCUIT



Ref #	Part Number	Qty.	Description
1	PE070143		WIRE HARNESS-9/2 CIRCUIT (VDSC)