

This Owner's Manual is provided and hosted by [Appliance Factory Parts](http://ApplianceFactoryParts.com).

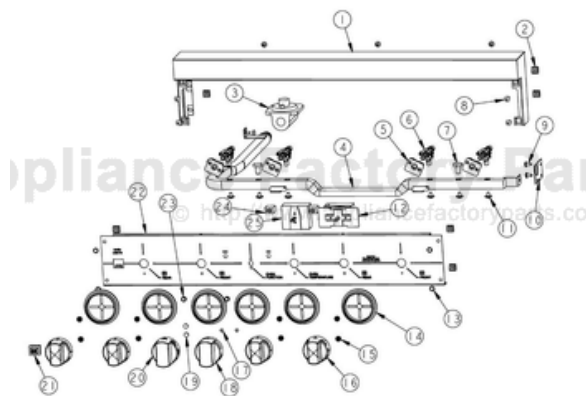


VIKING

VDSC305_AFTER_12-01-06

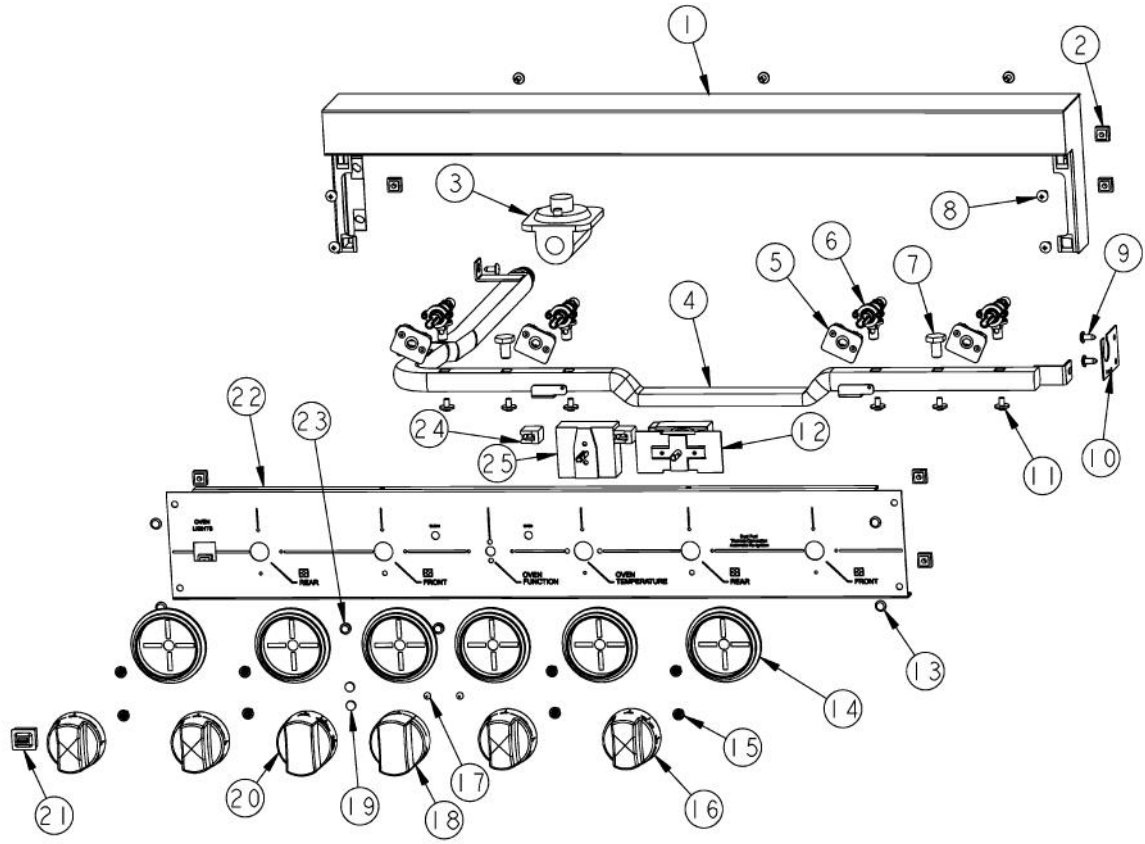
Owner's Manual

[Shop genuine replacement parts for VIKING](#)
[VDSC305_AFTER_12-01-06](#)

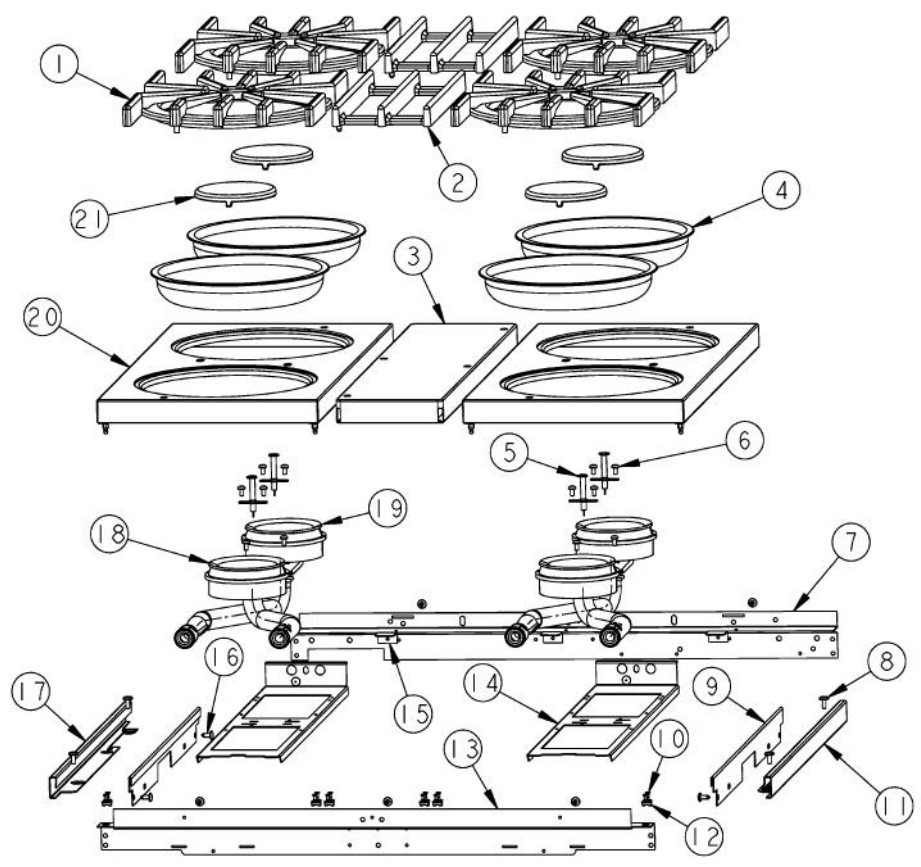


[Find Your VIKING Range Hoods Parts - Select From 411 Models](#)

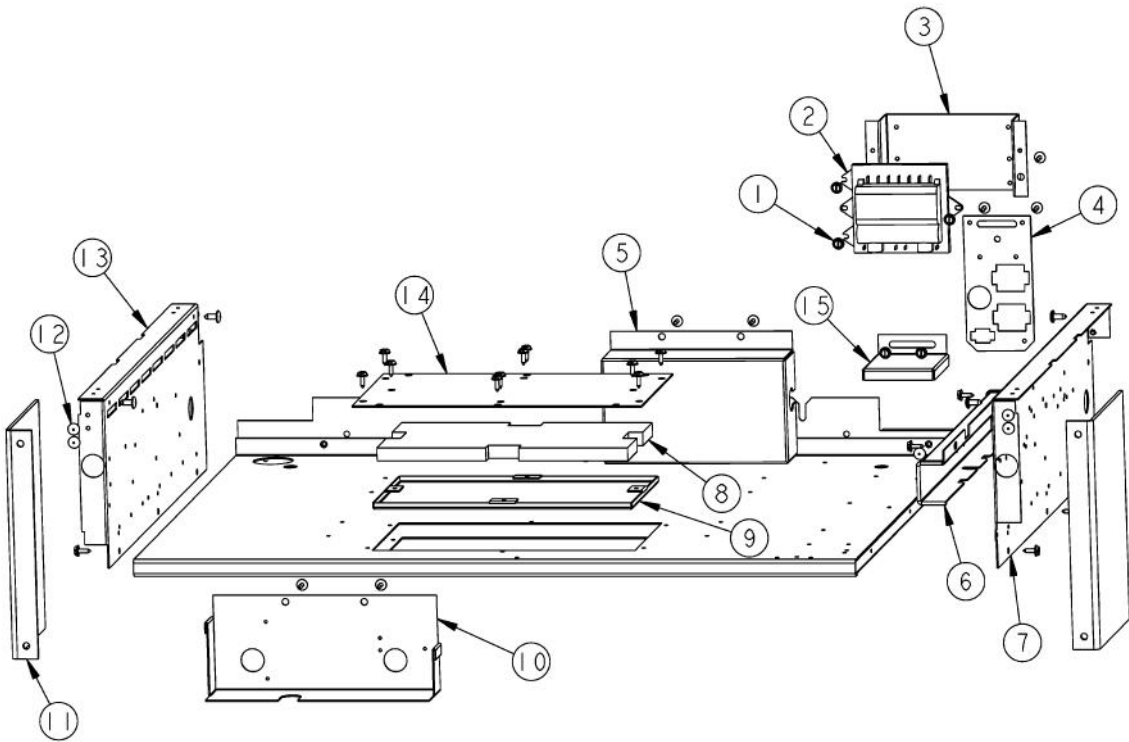
----- Manual continues below -----



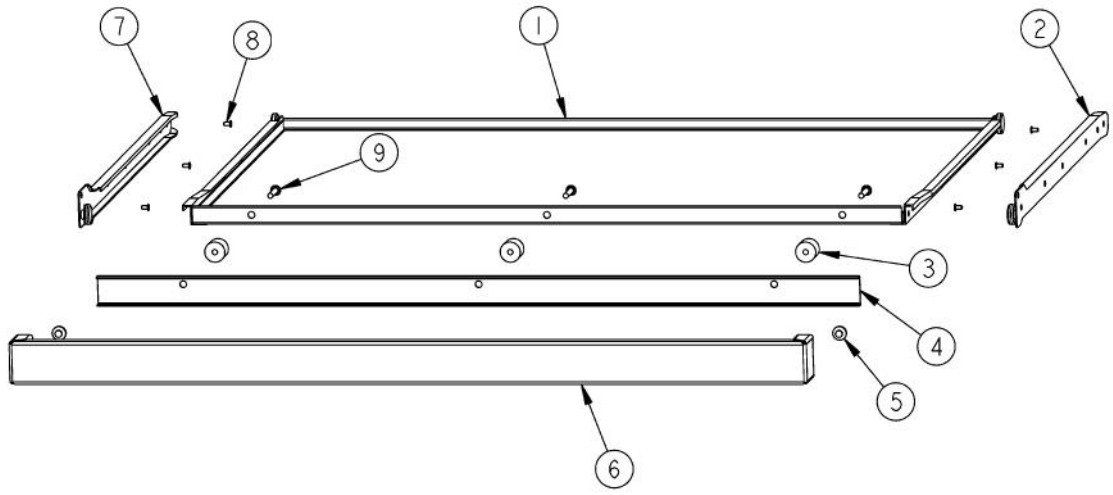
| Ref # | Part Number | Qty. | Description |
|-------|-------------|------|--|
| 1 | G3001406 | | LANDING LEDGE ASSY |
| 2 | PD030005 | | SELF RETAINING NUT |
| 3 | PA070001 | | PRESSURE REGULATOR (NAT.) |
| 4 | PA050113 | | MANIFOLD |
| 5 | PA020045 | | IGNITOR SWITCH |
| 6 | PA010157 | | SUB TO 003515-000 - RANGE TOP BURNER VALVE |
| 7 | PA010012 | | ROPER PLUG |
| 8 | PD010003 | | 10-24 X 1/2 PH.TR.HD.SERD.M.S. |
| 9 | PD020002 | | 10 X 1/2 PH.TR.HD.SMS. |
| 10 | A1001138 | | MANIFOLD BRKT |
| 11 | PD010012 | | VALVE BOLT 1/4-20 UNC-2B 5/16 M.S. |
| 12 | PJ030037 | | SUB TO PS500033 - SELF CLEAN THERMOSTAT |
| 13 | PD020032 | | SRW-8(A)X3/8PH.WFR HD 7/16DIAXNICL |
| 14 | PB010208 | | BEZEL, CHROME PLATE |
| | PB010209 | | BEZEL BRASS |
| 15 | PD020046 | | NO.8 X 1/2 SCREWS |
| 16 | PB010206 | | VGSC,VGRC,VGRT TOP BURNER KNOB(BK) |
| | PB010207 | | VGSC,VGRC,VGRT TOP BURNER KNOB(WH) |
| 17 | PD020006 | | NO.6-32 X 1/4 PH.PAN HD. T(F) |
| 18 | PB010129 | | THERMOSTAT KNOB XBKX (VDSC) |
| | PB010130 | | THERMOSTAT KNOB XWHX (VDSC) |
| 19 | PD020044 | | NO.8-32 X 1/4 PH. TR. HD. M.S. |
| 20 | PB010230 | | OVEN SELECT. KNOBXBKX VDSC307 |
| | PB010231 | | OVEN SELECT. KNOBXWHX VDSC307 |
| 21 | PE050016 | | OVEN LIGHT SWITCH - XBKX (WES-GAR) |
| | PE050017 | | OVEN LIGHT SWITCH - XWHX (WES-GAR) |
| 22 | B92010453 | | CONTROL PANEL -VDSC30 |
| 23 | PE050023 | | OVEN IND. LIGHT (LENS & BEZEL) |
| 24 | PE050024 | | OVEN IND. LIGHT (LIGHT HOUSING) |
| 25 | PJ030001 | | SELECTOR SWITCH (8-POSITION) VDSC |



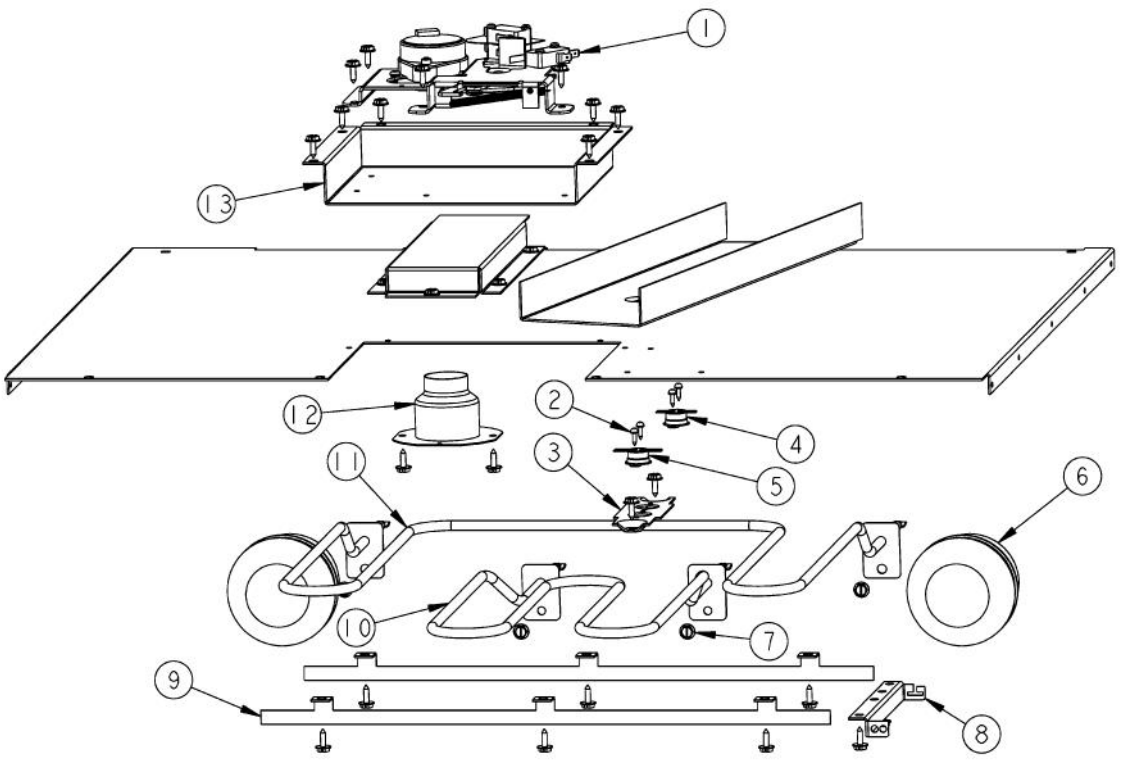
| Ref # | Part Number | Qty. | Description |
|-------|-------------|------|--------------------------------------|
| 1 | PA060037 | | GRATE BK REPL PA060024 (GEN.NO.2) |
| | PA060038 | | GRAY GRATES |
| 2 | PA060049 | | CENTER GRATE - MATT BK |
| | PA060050 | | CENTER GRATE - MATT GRAY |
| 3 | E9104416AL | | CENTER GRATE SUPPORT - AL |
| | E9104416BK | | CENTER SPACER (VGSC306) XBKX |
| | E9104416BT | | CENTER GRATE SUPPORT - BT |
| | E9104416CB | | CENTER SPACER (VGSC306) XCBX |
| | E9104416EP | | CENTER GRATE SUPPORT - EP |
| | E9104416FG | | CENTER GRATE SUPPORT - FG |
| | E9104416GG | | CENTER GRATE SUPPORT - GG |
| | E9104416LE | | CENTER GRATE SUPPORT - LE |
| | E9104416MJ | | CENTER GRATE SUPPORT - MJ |
| | E9104416SG | | CENTER GRATE SUPPORT - SG |
| | E9104416VB | | CENTER GRATE SUPPORT - VB |
| | E9104416WH | | CENTER SPACER (VGSC306) XWHX |
| 4 | PA030002AL | | BURNER BOWL - AL |
| | PA030002BK | | BURNER BOWL (VGRT) XXBKXX |
| | PA030002BT | | BURNER BOWL - BT |
| | PA030002CB | | BURNER BOWL - CB |
| | PA030002EP | | BURNER BOWL - EP |
| | PA030002FG | | BURNER BOWL - FG |
| | PA030002GG | | BURNER BOWL - GG |
| | PA030002LE | | BURNER BOWL - LE |
| | PA030002MJ | | BURNER BOWL (VGRT) XXMJXX |
| | PA030002SG | | BURNER BOWL - SG |
| | PA030002VB | | BURNER BOWL (VGRT) XXVBXX |
| | PA030002WH | | BURNER BOWL (VGRT) XXWHXX |
| 5 | PA020028 | | SPARK IGNITER |
| 6 | PD020004 | | 10X3/8PH.HD.TYPE 25 REPL PD040125 |
| 7 | A2002364 | | REAR BURNER SUPT VGSC/SS30 |
| 8 | PD020033 | | SRW-NO.10-24X1/2T(23)PH.WFR HD (NKL) |
| 9 | A2002343 | | GRATE SUPT HEAT SHIELD (VGR) |
| 10 | PC040010 | | POP RIVET |
| 11 | B2002345 | | SIDE TRIM - RH (VGSS) |
| | C9302345BR | | SIDE TRIM - RH (VGSS) XBRX |
| 12 | PD010016 | | BALL STUD FASTEN |
| 13 | A2001404 | | FRONT BURNER HOLDER (VGSS) |
| 14 | A2001112 | | BURNER SUPT (VGRT) |
| 15 | A2001147 | | GRATE SUPT ANGLE (VGRT) |
| 16 | PD020002 | | 10 X 1/2 PH.TR.HD.SMS. |
| 17 | B2002346 | | SIDE TRIM - LH (VGSS) |
| | C9302346BR | | SIDE TRIM - LH (VGSS) XBRX |
| 18 | PA080037 | | TOP BURNER FRONT REPL PA080007 |
| 19 | PA080036 | | TOP BURNER REAR REPL PA080008 |
| 20 | G50013584AL | | GRATE SUPPORT KIT - AL |
| | G50013584BK | | GRATE SUPPORT SERVICE KIT (BK) |
| | G50013584BT | | GRATE SUPPORT SERVICE KIT (BT) - NLA |
| | G50013584CB | | GRATE SUPPORT KIT - CB |
| | G50013584EP | | GRATE SUPPORT KIT - EP |
| | G50013584FG | | GRATE SUPPORT KIT - FG |
| | G50013584GG | | GRATE SUPPORT KIT - GG |
| | G50013584LE | | GRATE SUPPORT KIT - LE |
| | G50013584MJ | | GRATE SUPPORT KIT - MJ |
| | G50013584SG | | GRATE SUPPORT KIT - SG |
| | G50013584VB | | GRATE SUPPORT KIT - VB |
| | G50013584WH | | GRATE SUPPORT SERVICE KIT (WH) |
| 21 | PA080015 | | BURNER CAP-VGRT XBKX |
| | PA080016 | | BURNER CAP-VGRT (GRAY-MATT) |



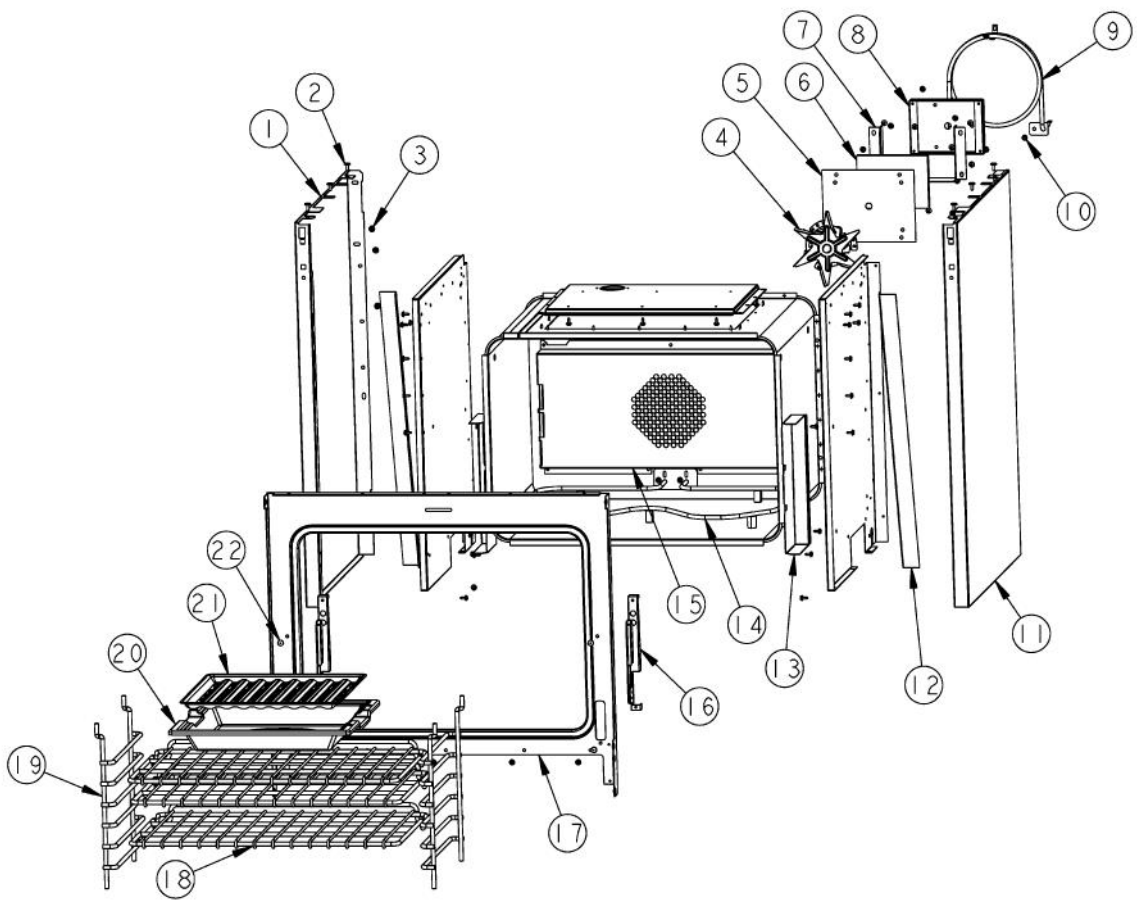
| Ref # | Part Number | Qty. | Description |
|-------|-------------|------|---------------------------------------|
| 1 | PD020003 | | NO.10 X 1/2 T(A) HEX WASHER HEAD |
| 2 | PA020047 | | INVENSYS 0+4 RE-IGNITION SPARK MODULE |
| 3 | A2002493 | | SPARK MODULE PLATE (VDSC) |
| 4 | A10016219 | | TERMINAL BLOCK BRACKET |
| 5 | A20016218 | | CONTROL PANEL ELECTRIC SHIELD COVER |
| 6 | A2000210 | | WIRE CHANNEL |
| 7 | A2002490 | | BURNER BOX SIDE RH (VDSC) |
| 8 | PB070268 | | DOOR LOCK BOX INSULATION |
| 9 | A20011246 | | VDSC487 DOOR LOCK INSUL. BOX |
| 10 | A2002323 | | CTRL PAN ELECT. SHIELD (VDSC) |
| 11 | J2002593 | | OVEN SIDE HEAT SINK |
| 12 | PD020002 | | 10 X 1/2 PH.TR.HD.SMS. |
| 13 | A2002491 | | BURNER BOX SIDE LH (VDSC) |
| 14 | A1006344 | | DOOR LOCK ACCESS PANEL 48 |
| 15 | A20015430 | | OUTLET SHIELD |



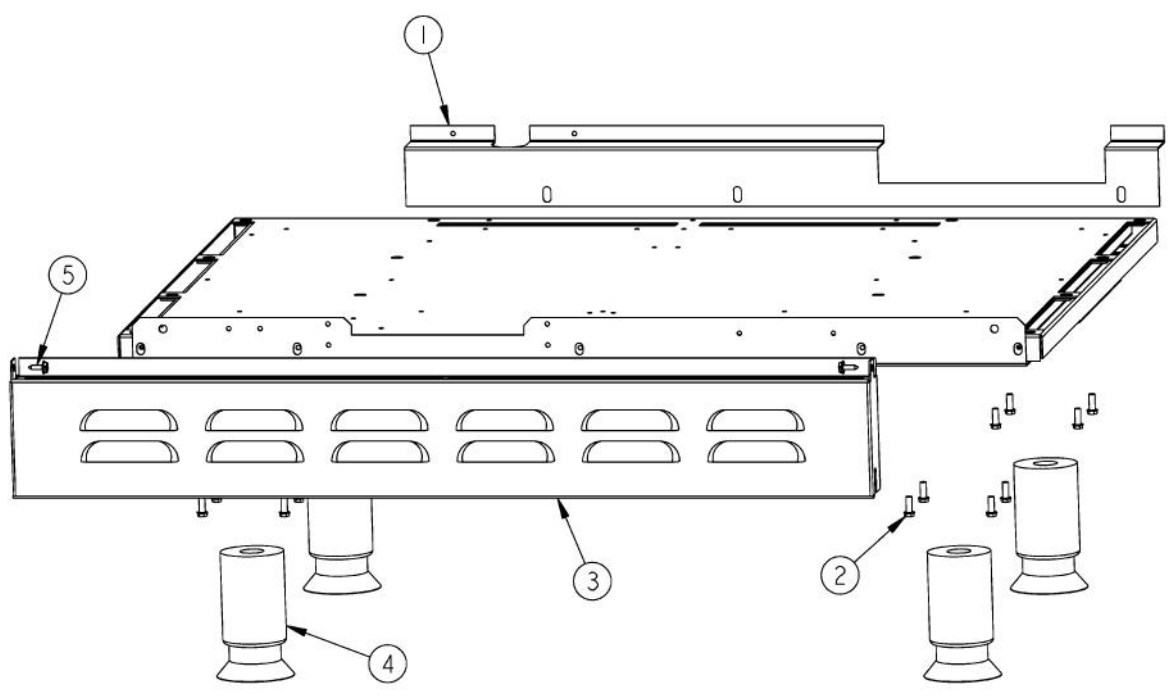
| Ref # | Part Number | Qty. | Description |
|-------|--------------|------|--------------------------------------|
| 1 | G30010454 | | 30 DRIP TRAY ASSY |
| 2 | PK000008 | | DRIP TRAY GUIDE - RH |
| 3 | PD040028 | | BUSHING(.194ID/.750OD/.750LONG) |
| 4 | A20010691 | | DRIP TRAY HANDLE BACK 30 |
| 5 | PD040004 | | GROMMET BUMPER |
| 6 | G30010695 | | DRIP TRAY HANDLE ASSY 30 |
| | G93011458PVD | | DRIP TRAY HANDLE ASSY 30 PVD |
| 7 | PK000007 | | DRIP TRAY GUIDE - LH (VGRT) |
| 8 | PC040010 | | POP RIVET |
| 9 | PD020079 | | NO.10 X 1 1/4 PH. PAN HD. T(A) NYLOK |



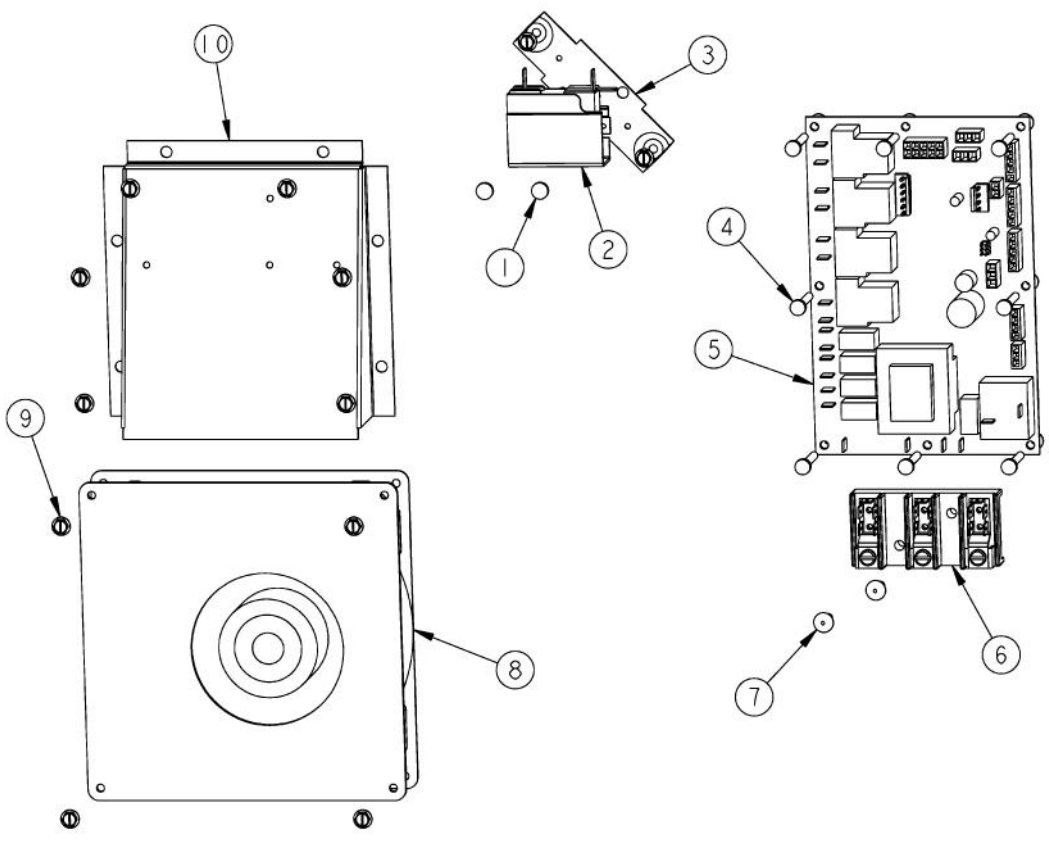
| Ref # | Part Number | Qty. | Description |
|-------|-------------|------|-------------------------------------|
| 1 | PE050053 | | DR LATCH REPL PE050020 |
| 2 | PD020013 | | TYPE AB NO.6 X 3/8 PH PAN HD. SMS |
| 3 | A10014918 | | THERMODISC BRACKET |
| 4 | PJ030006 | | SWITCH (COOLING FAN) |
| 5 | PJ030005 | | SWITCH (HIGH-LIMIT) VDSC |
| 6 | PE050009 | | OVEN LIGHT SOCKET - 36 BUILT-IN |
| 7 | PD020003 | | NO.10 X 1/2 T(A) HEX WASHER HEAD |
| 8 | B20012039 | | THERMAL BULB BRACKET |
| 9 | B20012072 | | BROILER ELEMENT BRACKET |
| 10 | PJ010001 | | BROIL ELEMENT 240V |
| 11 | PJ010002 | | BROIL ELEMENT(MAXI)-SIDE (VDSC)240V |
| 12 | PM010014 | | SMOKE ELIMINATOR (VDSC) |
| 13 | A2002168 | | DOOR LATCH BRKT (VDSC) |
| NI | A20015409 | | DOOR LOCK AIR DIVERTER |



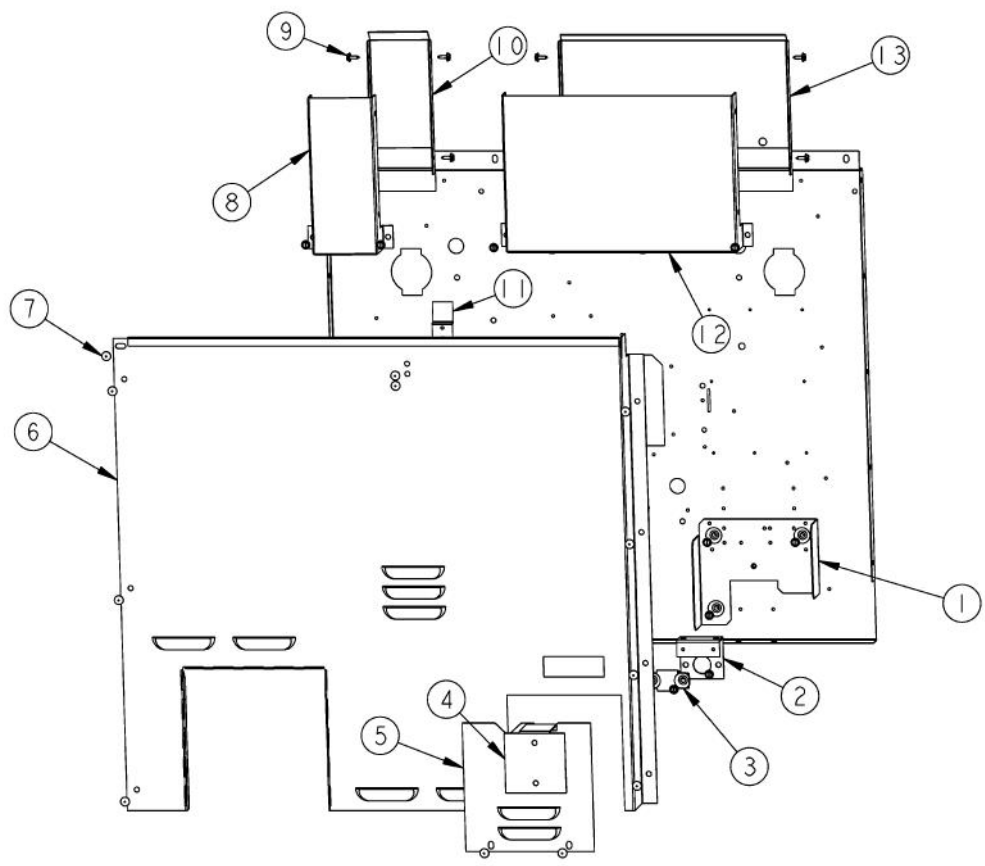
| Ref # | Part Number | Qty. | Description |
|-------|-------------|------|---------------------------------------|
| 1 | B2002598 | | O/S BODY PANEL LH (SS) |
| | C9002598AL | | BODY PNL LH 30" REPL C9001922AL |
| | C9002598BK | | BODY PNL LH 30" REPL C9001922BK |
| | C9002598BT | | O/S BODY PANEL-LH XBTX (VDSC) |
| | C9002598BU | | BODY PNL LH 30" REPL C9001922BU |
| | C9002598CB | | O/S BODY PANEL-LH XCBX (VDSC) |
| | C9002598EP | | O/S BODY PANEL-LH XEPX (VDSC) |
| | C9002598FG | | BODY PNL LH 30" REPL C9001922FG |
| | C9002598GG | | BODY PNL LH 30" REPL C9001922GG |
| | C9002598LE | | O/S BODY PANEL-LH XLEX (VDSC) |
| | C9002598MJ | | O/S BODY PANEL-LH XMJX (VDSC) |
| | C9002598SG | | O/S BODY PANEL-LH XSGX (VDSC) |
| | C9002598VB | | BODY PNL LH 30" REPL C9001922VB |
| | C9002598WH | | BODY PNL LH 30" REPL C9001922WH |
| 2 | PD020033 | | SRW-NO. 10-24X1/2T(23)PH.WFR HD (NKL) |
| 3 | PD020002 | | 10 X 1/2 PH.TR.HD.SMS. |
| 4 | PE050005 | | CONVECTION FAN ASSY |
| 5 | A1002596 | | CONVECTION FAN COVER (VDSC) |
| 6 | PB070208 | | CONVECTION FAN INSULATION |
| 7 | A2008440 | | ALL SIDE FAN INSULATION SHIELD |
| 8 | A2002595 | | CONVECTION FAN BOX (VDSC) |
| 9 | PJ010003 | | CONVECTION ELEMENT (VDSC) 240V |
| 10 | PD020003 | | NO.10 X 1/2 T(A) HEX WASHER HEAD |
| 11 | B2002597 | | O/S BODY PANEL - RH (SS) |
| | C9002597AL | | O/S BODY PANEL-RH XALX (VDSC) |
| | C9002597BK | | BODY PNL RH BK REPL C9001921BK |
| | C9002597BT | | O/S BODY PANEL-RH XBTX (VDSC) |
| | C9002597BU | | BODY PNL RH BU REPL C9001921BU |
| | C9002597CB | | O/S BODY PANEL-RH XCBX (VDSC) |
| | C9002597EP | | O/S BODY PANEL-RH XEPX (VDSC) |
| | C9002597FG | | BODY PNL RH FG REPL C9001921FG |
| | C9002597GG | | BODY PNL RH GG REPL C9001921GG |
| | C9002597LE | | O/S BODY PANEL-RH XLEX (VDSC) |
| | C9002597MJ | | O/S BODY PANEL-RH XMJX (VDSC) |
| | C9002597SG | | O/S BODY PANEL-RH XSGX (VDSC) |
| | C9002597VB | | BODY PNL RH VB REPL C9001921VB |
| | C9002597WH | | BODY PNL RH WH REPL C9001921WH |
| 12 | A2002475 | | SIDE PANEL DIVERTER (VDSC) |
| 13 | A2002183 | | HINGE INSULATION COVER (VDSC) |
| 14 | PJ010004 | | BAKE ELEMENT (VDSC) 240V |
| 15 | E9102170 | | CONVECTION FAN COVER |
| 16 | PC020009 | | HINGE ASSY (BROWN) |
| 17 | G9102743 | | OVEN FRONT FRAME ASSY (VDSC30) |
| 18 | PB060044 | | OVEN RK VDSC30/48RH REPL PB060019 |
| 19 | PB060030 | | RACK SUPT REPL PB060010 |
| 20 | E9107933 | | BROILER PAN |
| 21 | E9107934 | | BROILER PAN INSERT |
| 22 | PD020014 | | 10X3/4 PH TR HD SMS |



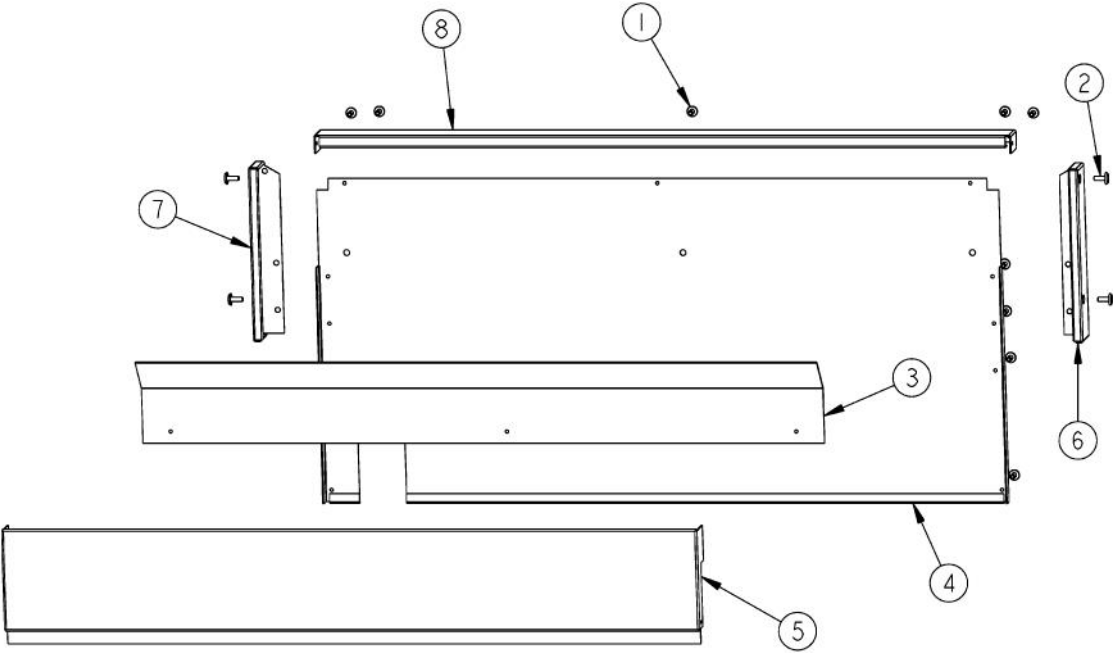
| Ref # | Part Number | Qty. | Description |
|-------|-------------|------|----------------------------------|
| 1 | A2004294 | | LOWER BACK COVER (VDSC305) |
| 2 | PD020060 | | 10 X 1/2 (5/16)HEX WSHER HD.(T)A |
| 3 | B2001815 | | LOWER ACC PAN - (VGRC605) |
| | C9001815AL | | LOWER ACC PAN - XALX (VGRC605) |
| | C9001815BK | | LOWER ACC PAN - XBKX (VGRC605) |
| | C9001815BT | | LOWER ACC PAN - XBTX (VGRC605) |
| | C9001815BU | | LOWER ACC PAN - XBUX (VGRC605) |
| | C9001815CB | | LOWER ACC PAN - XCBX (VGRC605) |
| | C9001815EP | | LOWER ACC PAN - XEPX (VGRC605) |
| | C9001815FG | | LOWER ACC PAN - XFGX (VGRC605) |
| | C9001815GG | | LOWER ACC PAN - XGGX (VGRC605) |
| | C9001815LE | | LOWER ACC PAN - XLEX (VGRC605) |
| | C9001815MJ | | LOWER ACC PAN - XMJX (VGRC605) |
| | C9001815SG | | LOWER ACC PAN - XSGX (VGRC605) |
| | C9001815VB | | LOWER ACC PAN - XVBX (VGRC605) |
| | C9001815WH | | LOWER ACC PAN - XWHX (VGRC605) |
| 4 | PC030017 | | 4 LEG ASSY |
| 5 | PD020003 | | NO.10 X 1/2 T(A) HEX WASHER HEAD |
| NI | 19497-000 | 1 | 30 CURB BASE KIT |



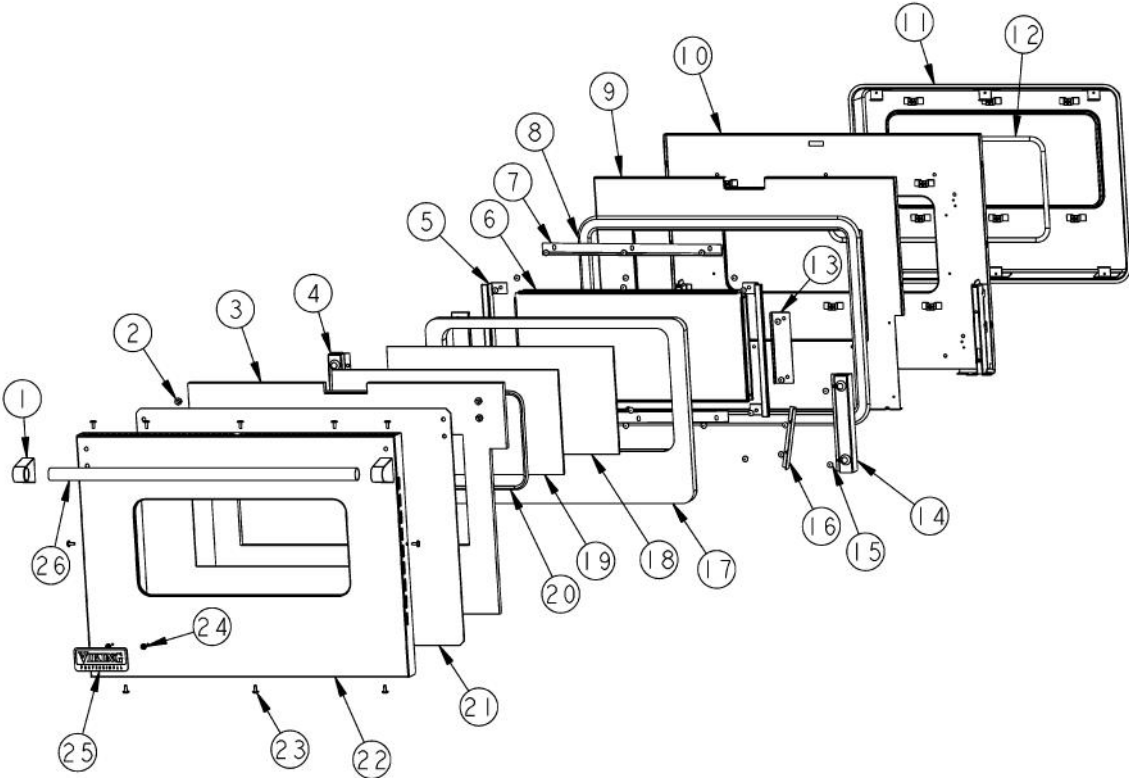
| Ref # | Part Number | Qty. | Description |
|-------|-------------|------|---------------------------------------|
| 1 | PD020044 | | NO.8-32 X 1/4 PH. TR. HD. M.S. |
| 2 | PJ030002 | | AUTO RESET (SELF-CLEAN) VDSC |
| 3 | A1002456 | | THERMO-DISC BRKT (VDSC) |
| 4 | PD020053 | | NO.8 X 1 1/2 HEX WASHER HEAD SMS(VERT |
| 5 | PE070786 | | ELECTRONIC CONTROL BOARD |
| 6 | PE070147 | | TERMINAL BLOCK |
| 7 | PD020014 | | 10X3/4 PH TR HD SMS |
| 8 | PE050026 | | COOLING FAN (VDSC) |
| 9 | PD020003 | | NO.10 X 1/2 T(A) HEX WASHER HEAD |
| 10 | A2002180 | | COOLING FAN HOUSING (VDSC) |



| Ref # | Part Number | Qty. | Description |
|-------|-------------|------|----------------------------------|
| 1 | A2002193 | | ELECTRICAL MOUNTING BRKT (VDSC) |
| 2 | A2002195 | | POWER CORD MOUNTING BRKT (VDSC) |
| 3 | A1002457 | | POWER CORD MOUNTING STRAP (VDSC) |
| 4 | A2002654 | | ANTI-TIP DEVICE (VDSC) |
| 5 | A2002454 | | BACK COVER ACCESS DOOR |
| 6 | A2004297 | | UPPER BACK COVER (VDSC305) |
| 7 | PD020002 | | 10 X 1/2 PH.TR.HD.SMS. |
| 8 | A2002484 | | AIR FLUE (VDSC) |
| 9 | PD020003 | | NO.10 X 1/2 T(A) HEX WASHER HEAD |
| 10 | A2002483 | | AIR FLUE (VDSC) |
| 11 | A2005735 | | BACKGUARD SUPPORT BRACKET |
| 12 | A2002486 | | AIR FLUE (LARGE-BACK) VDSC |
| 13 | A2002485 | | AIR FLUE (LARGE-FRONT) VDSC |



| Ref # | Part Number | Qty. | Description |
|-------|-------------|------|--------------------------------------|
| 1 | PD020002 | | 10 X 1/2 PH.TR.HD.SMS. |
| 2 | PD020033 | | SRW-NO.10-24X1/2T(23)PH.WFR HD (NKL) |
| 3 | B2001905 | | VENT BAFFLE-30 (VGRT) |
| 4 | A2001799 | | BACKGUARD BACK (6) VGRT30 |
| 5 | B2001790 | | BACKGUARD FRONT 6 (VGRT-30) |
| 6 | B3001775 | | BACKGUARD END CAP - RH (VGRT-6) |
| 7 | B3001776 | | BACKGUARD END CAP - LH (VGRT-6) |
| 8 | B2001782 | | BACKGUARD TOP (VGRT30) |



| Ref # | Part Number | Qty. | Description |
|-------|--|------|--|
| 1 | PE030001 PE030001PVD | | BRACKET, DOOR, HANDLE END CAP DOOR HANDLE XBR |
| 2 | PD010019 | | BLT-1/4-20X3/8HEX WASHER SERATED |
| 3 | PB070145 | | SUPERWOOL 5 X 24 X 3' |
| 4 | A2002499 | | HINGE POCKET COVER LH |
| 5 | A2002367 | | DOOR GLASS BRKT |
| 6 | PE060064 | | WINDOW PACK, SELF CLEANING OVEN 30 |
| 7 | A2007943 | | GLASSPACK BRACKET, LARGE |
| 8 | PB070041 | | SUB TO 000623-000 - DOOR GASKET(3/8DIA.) (VDSC) |
| 9 | A2002169 | | DOOR INSULATION RETAINER (VDSC30) |
| 10 | G9102747 | | DR LINER ASY(VDSC30/48)REP H9102173 |
| 11 | G9102745 | | DR PG ASSY VDSC30/48 RE H9102175 |
| 12 | PB070150 | | FIBERGLASS ROPE, 3/8 DIA. |
| 13 | A2002189 | | DOOR GLASS STANDOFF (VDSC) |
| 14 | A2002498 | | HINGE POCKET COVER RH |
| 15 | PD020002 | | 10 X 1/2 PH.TR.HD.SMS. |
| 16 | A2002497 | | DOOR GUIDE ANGLE VDSC |
| 17 | PB070076 | | WOOL INSULATION 1 X 21 X 3' |
| 18 | PE060039 | | GLASS-HEAT TREATED (HB2) VDSC |
| 19 | PE060030 | | GLASS-OUTER DOOR BK SCREENED,TEMP |
| 20 | PE060031 PE060045 | | J-MOLD (LARGE WINDOW) J-MOLD (LARGE WINDOW) XBRX |
| 21 | J1002594 | | OVEN DR HEAT SINK (VDSC30) |
| 22 | B2002188 C9002188AL C9002188BK C9002188BT C9002188BU C9002188CB C9002188EP C9002188FG C9002188GG C9002188LE C9002188MJ C9002188SG C9002188VB C9002188WH | | O/S DOOR PANEL XSSX (VDSC30) O/S DOOR PANEL-XALX (VDSC30) O/S DOOR PANEL-XBKX (VDSC30) O/S DOOR PANEL-XBTX (VDSC30) O/S DOOR PANEL-XBUX (VDSC30) O/S DOOR PANEL-XCBX (VDSC30) O/S DOOR PANEL-XEPX (VDSC30) O/S DOOR PANEL-XFGX (VDSC30) O/S DOOR PANEL-XGGX (VDSC30) O/S DOOR PANEL-XLEX (VDSC30) O/S DOOR PANEL-XMJX (VDSC30) O/S DOOR PANEL-XSGX (VDSC30) O/S DOOR PANEL-XVBX (VDSC30) O/S DOOR PANEL-XWHX (VDSC30) |
| 23 | PD020033 | | SRW-NO.10-24X1/2T(23)PH.WFR HD (NKL) |
| 24 | PD030006 | | CAPPED WASHER PAL NUT |
| 25 | PE010016 PE010017 PE010079 PE010080 | | NAMEPLATE, LOGO, PRO LOGO (VGSO,VEDO,VGDO,VUD) XWH/CHR 4.5 LOGO/VIKING PROF, BK/BR 4.5 LOGO/VIKING PROF XWH/BR |
| 26 | PE030005 PE030012PVD | | DOOR HANDLE - VGSC30/RC60/RC48RH DOOR HANDLE - RH - (30/48) PVD |
| NI | G3202172AL G3202172ALBR G3202172BK G3202172BKBR G3202172BT G3202172BTBR G3202172BU G3202172BUBR G3202172CB G3202172CBBR G3202172EP G3202172EPBR G3202172FG G3202172FGBR G3202172GG | | DOOR SUB-ASSY-XALX (VDSC30) DOOR SUB-ASSY-XALXXBRX VDSC30 DOOR SUB-ASSY-XBKX (VDSC30) DOOR SUB-ASSY-XBKXXBRX (VDSC30) DOOR SUB-ASSY-XBTX (VDSC30) DOOR SUB-ASSY-XBTXBRX (VDSC30) DOOR SUB-ASSY-XBUX (VDSC30) DOOR SUB-ASSY-XBUXBRX (VDSC30) DOOR SUB-ASSY-XCBX (VDSC30) DOOR SUB-ASSY-XCBXXBR VDSC30 DOOR SUB-ASSY-XEPX(VDSC30) DOOR SUB-ASSY-XEPXBRX (VDSC30) DOOR SUB-ASSY-XFGX (VDSC30) DOOR SUB-ASSY-XFGXXBRX (VDSC30) DOOR SUB-ASSY-XGGX (VDSC30) |

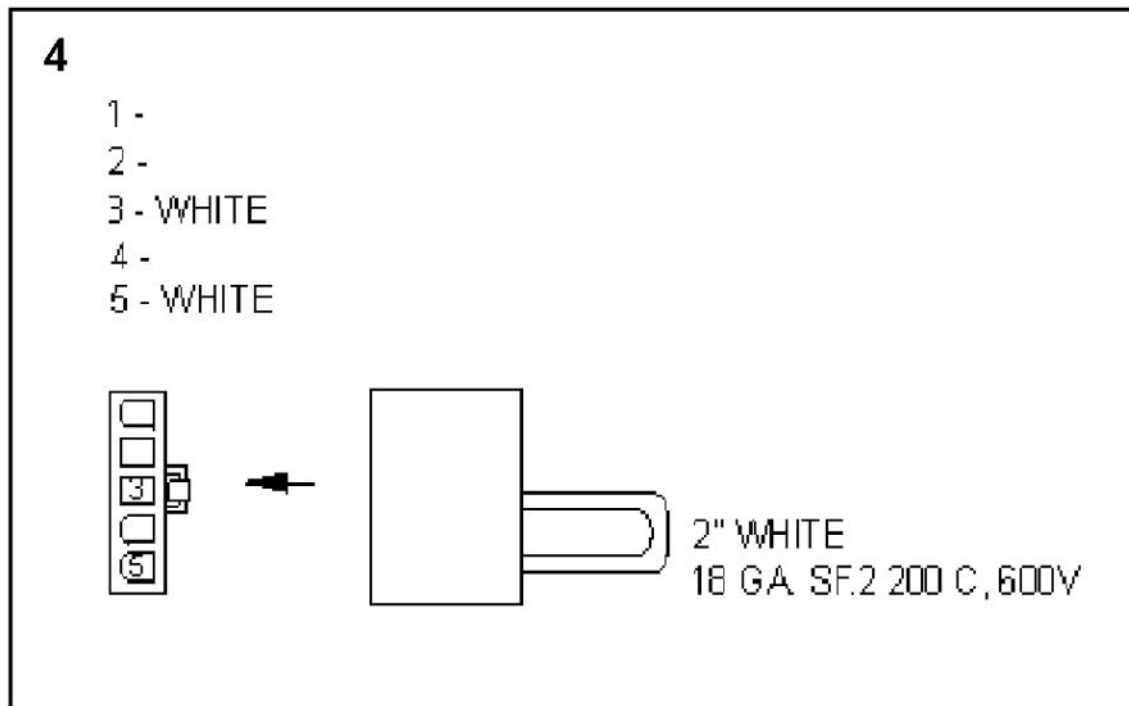
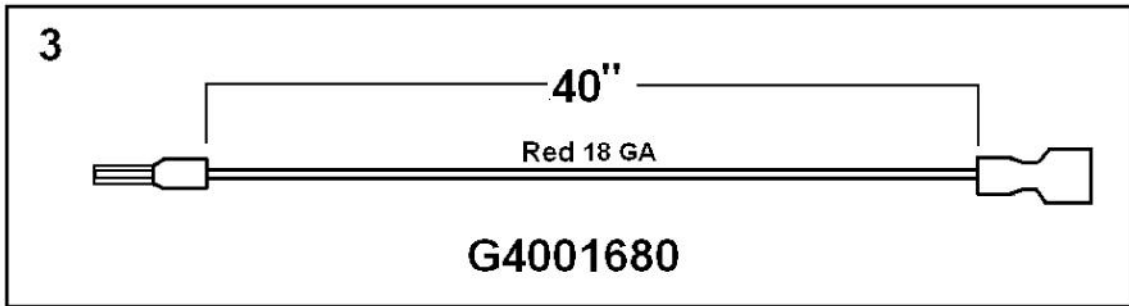
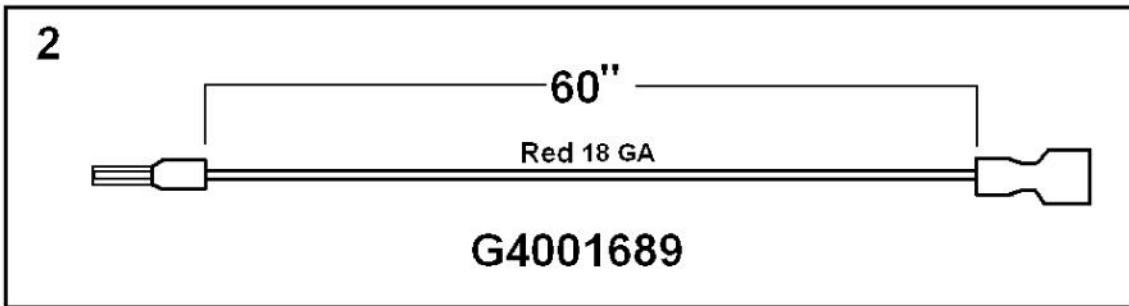
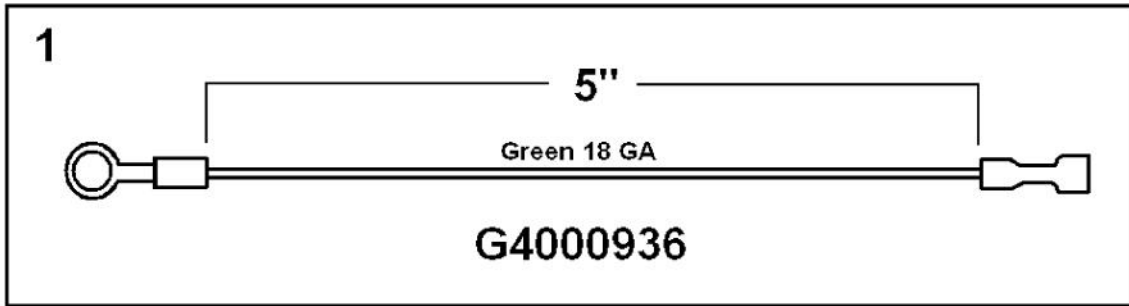
| Ref # | Part Number | Qty. | Description |
|-------|--------------|------|---------------------------------|
| | G3202172GG | | DOOR SUB-ASSY-XGGX (VDSC30) |
| | G3202172GGBR | | DOOR SUB-ASSY-XGGX (VDSC30) |
| | G3202172LE | | DOOR SUB-ASSY-LEX (VDSC30) |
| | G3202172LEBR | | DOOR SUB-ASSY-XLEXXBRX (VDSC30) |
| | G3202172MJ | | DOOR SUB-ASSY-XMJX (VDSC30) |
| | G3202172MJBR | | DOOR SUB-ASSY-XMJXXBRX VDSC30 |
| | G3202172SG | | DOOR SUB-ASSY-XSGX (VDSC30) |
| | G3202172SGBR | | DOOR SUB-ASSY-XSGXXBRX VDSC30 |
| | G3209181SS | | DOOR ASSY 30 XSSX |
| | G3209181SSBR | | DOOR ASSY 30 XSSBRX |
| | G3202172VB | | DOOR SUB-ASSY-XVBX (VDSC30) |
| | G3202172VBBR | | DOOR SUB-ASSY-XVBXXBRX (VDSC30) |
| | G3202172WH | | DOOR SUB-ASSY-XWHX (VDSC30) |

1

NOTE: EACH "KIT" WILL CONTAIN SEVERAL SETS OF IGNITOR WIRES (AS SHOWN BELOW). THESE SHOULD BE BUNDLED TOGETHER WITH TAPE & LABELED WITH THE KIT PURC. # , AND THE MODEL USAGE #.

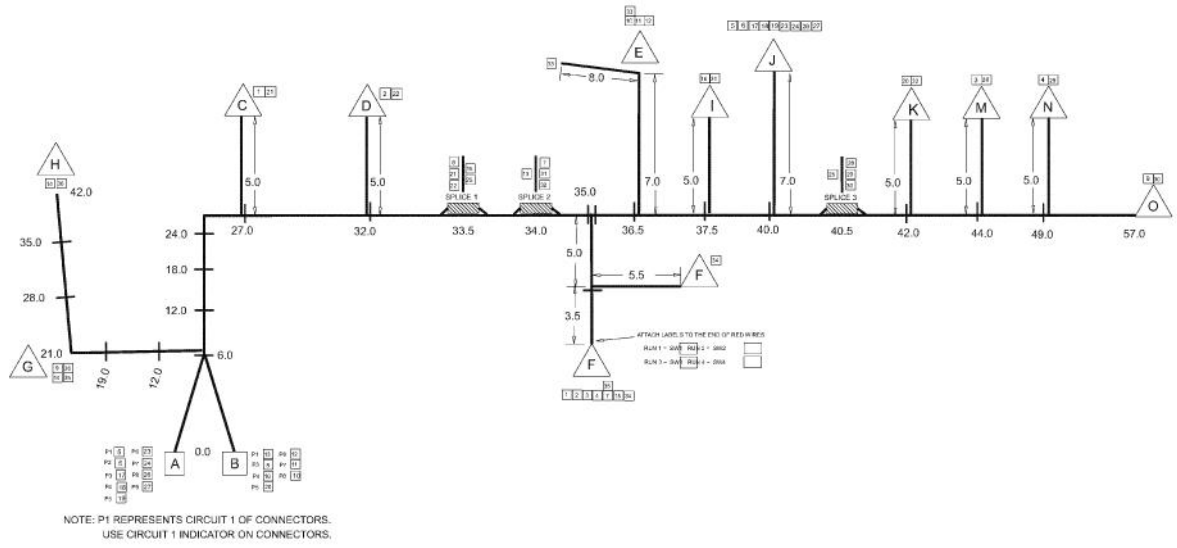


| Ref # | Part Number | Qty. | Description |
|-------|-------------|------|--------------------------------------|
| 1 | PE070713 | | IGNITOR WIRE KIT - VGIC/VDSC/VGSC307 |



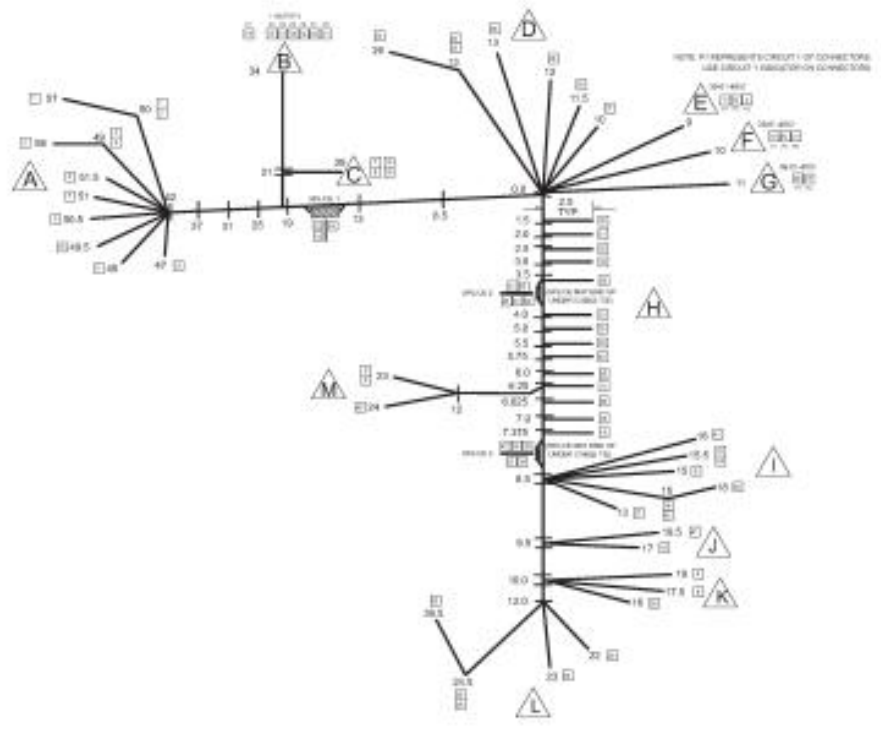
| Ref # | Part Number | Qty. | Description |
|-------|-------------|------|-------------------------------------|
| 1 | G4000936 | | GROUND WIRE |
| 2 | G4001689 | | SPRK MDLE-TOP BRNR VLVE SWITCH (60) |
| 3 | G4001680 | | SPRK MDLE-TOP BRNR VLVE SWITCH (40) |
| 4 | PE070536 | | SINGLE OVEN JUMPER |

1

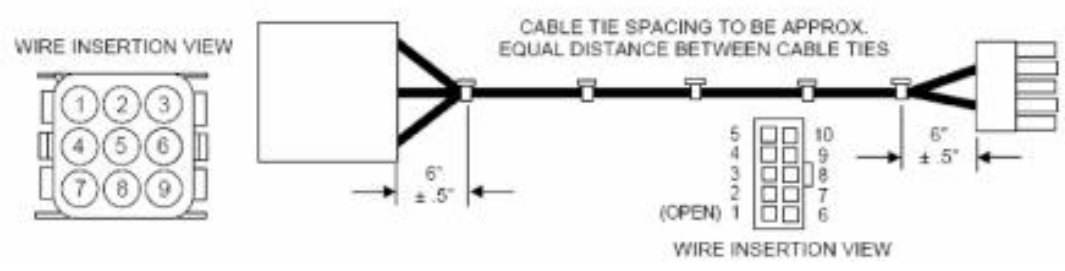


| Ref # | Part Number | Qty. | Description |
|-------|-------------|------|--------------------------|
| 1 | PE070811 | | VDSC307/305 WIRE HARNESS |

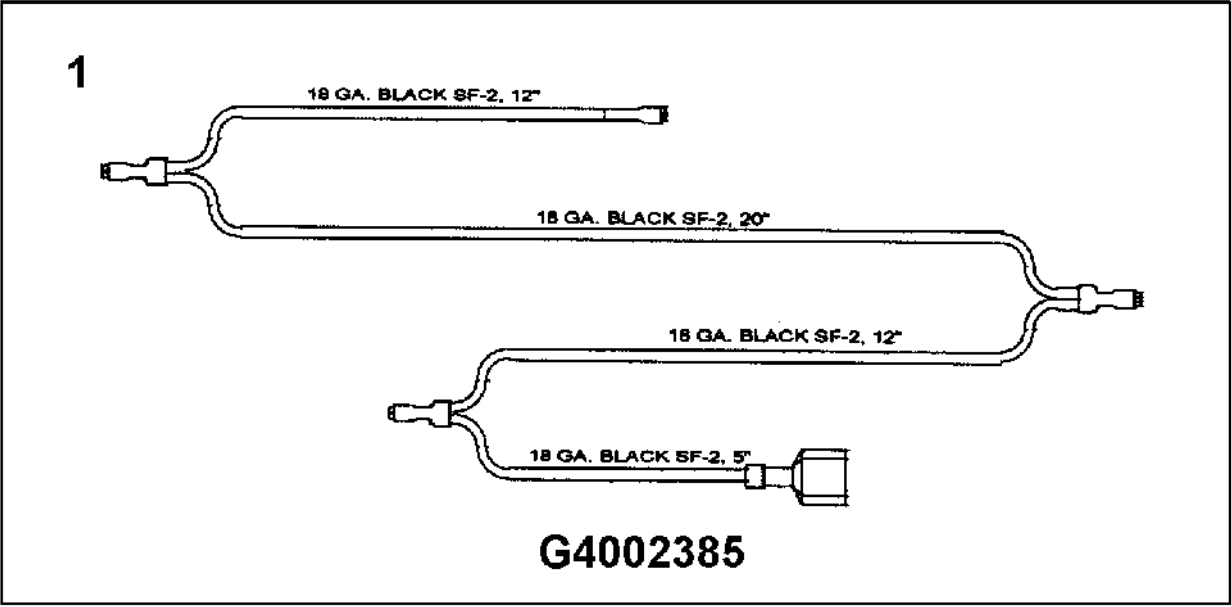
1



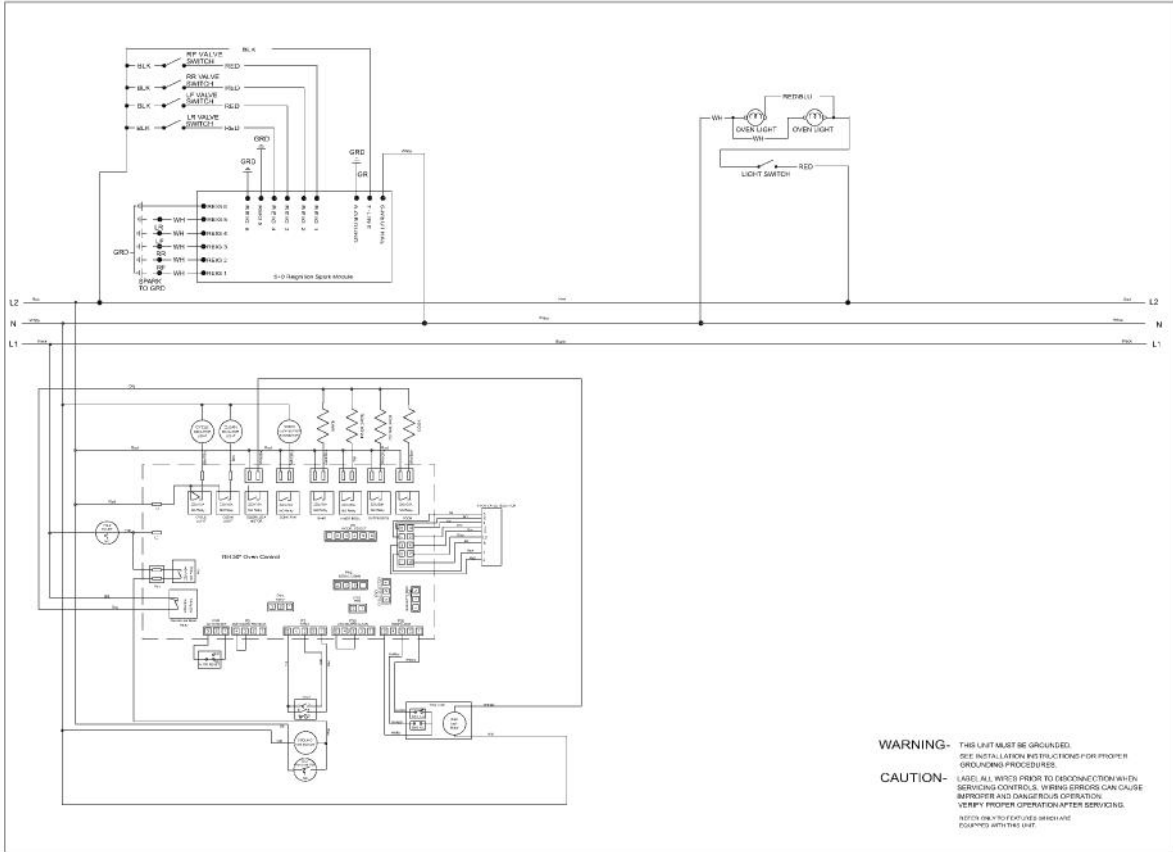
2



| Ref # | Part Number | Qty. | Description |
|-------|-------------|------|--------------------------|
| 1 | PE070781 | | RH MAIN OVEN HARNESS |
| 2 | PE070780 | | RH REAR SELECTOR HARNESS |



| Ref # | Part Number | Qty. | Description |
|-------|-------------|------|-------------------------------------|
| 1 | G4002385 | | WIRE HARNESS-SPARK SWITCHES (VDSC30 |



WARNING- THIS UNIT MUST BE GROUNDED. SEE INSTALLATION INSTRUCTIONS FOR PROPER GROUNDING PROCEDURES.

CAUTION- LABEL ALL WIRES PRIOR TO DISCONNECTION WHEN SERVICING CONTROLS. WIRING ERRORS CAN CAUSE IMPROPER AND DANGEROUS OPERATION. VERIFY PROPER OPERATION AFTER SERVICING.

NOTICE: ONLY TECHNICIANS WHO HAVE TRAINING WITH THIS UNIT.

| Ref # | Part Number | Qty. | Description |
|-------|-------------|------|-------------|
|-------|-------------|------|-------------|
