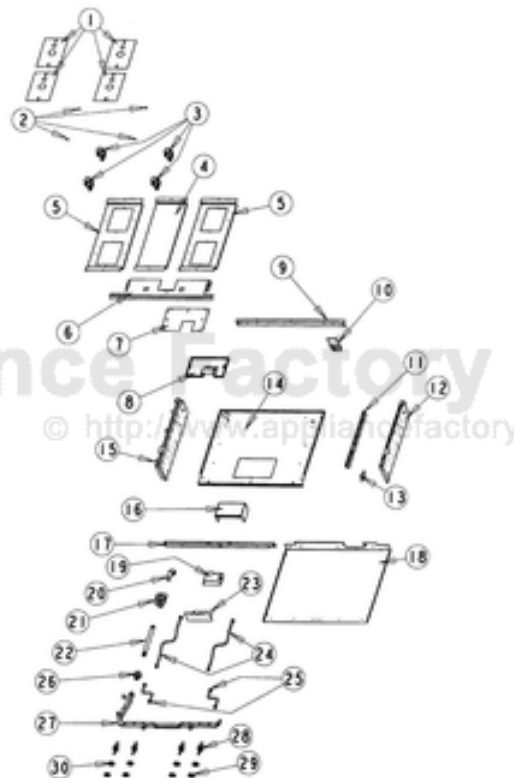


This Owner's Manual is provided and hosted by [Appliance Factory Parts](#).



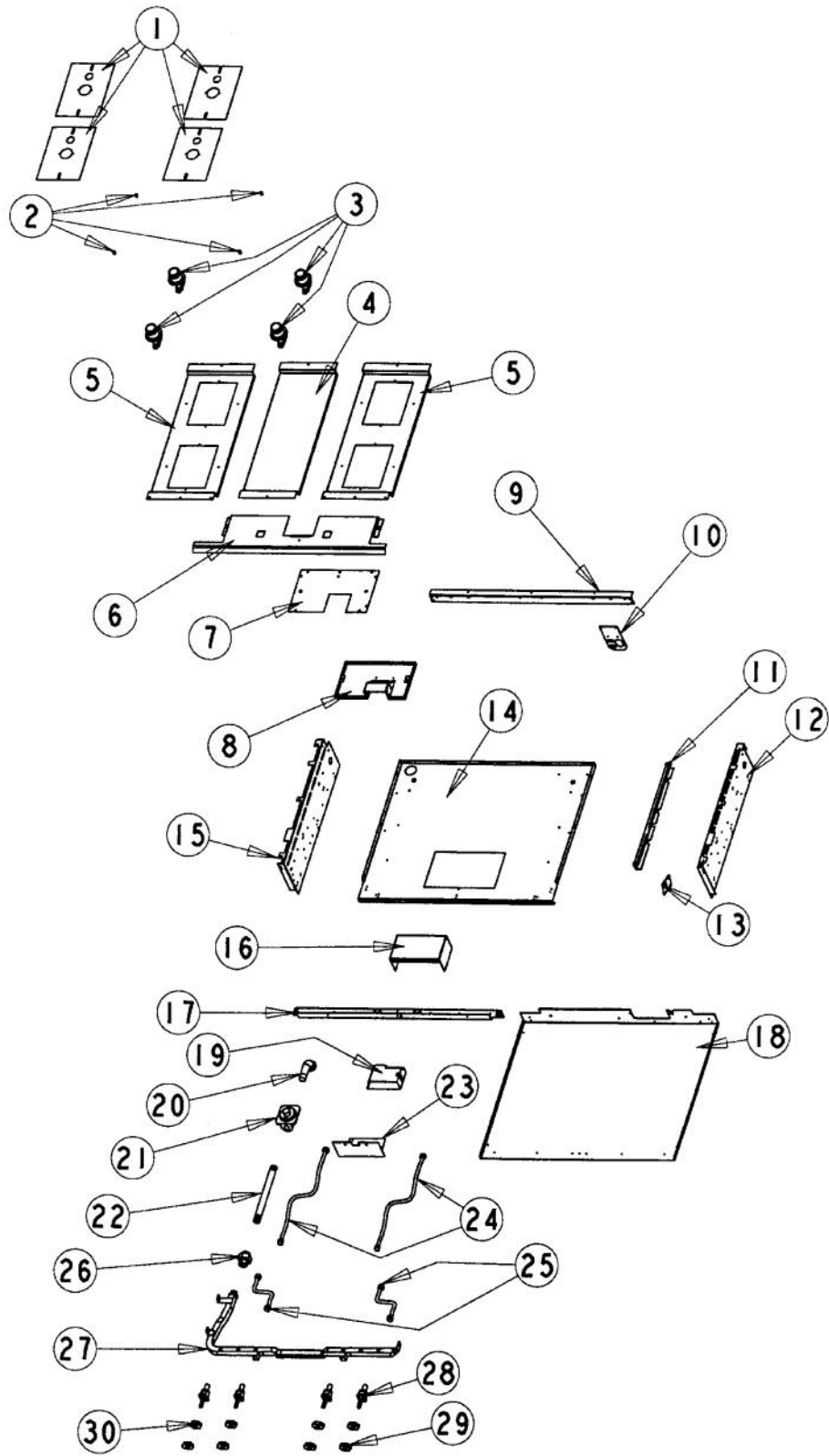
VIKING VDSC307_1 Owner's Manual

[Shop genuine replacement parts for VIKING
VDSC307_1](#)

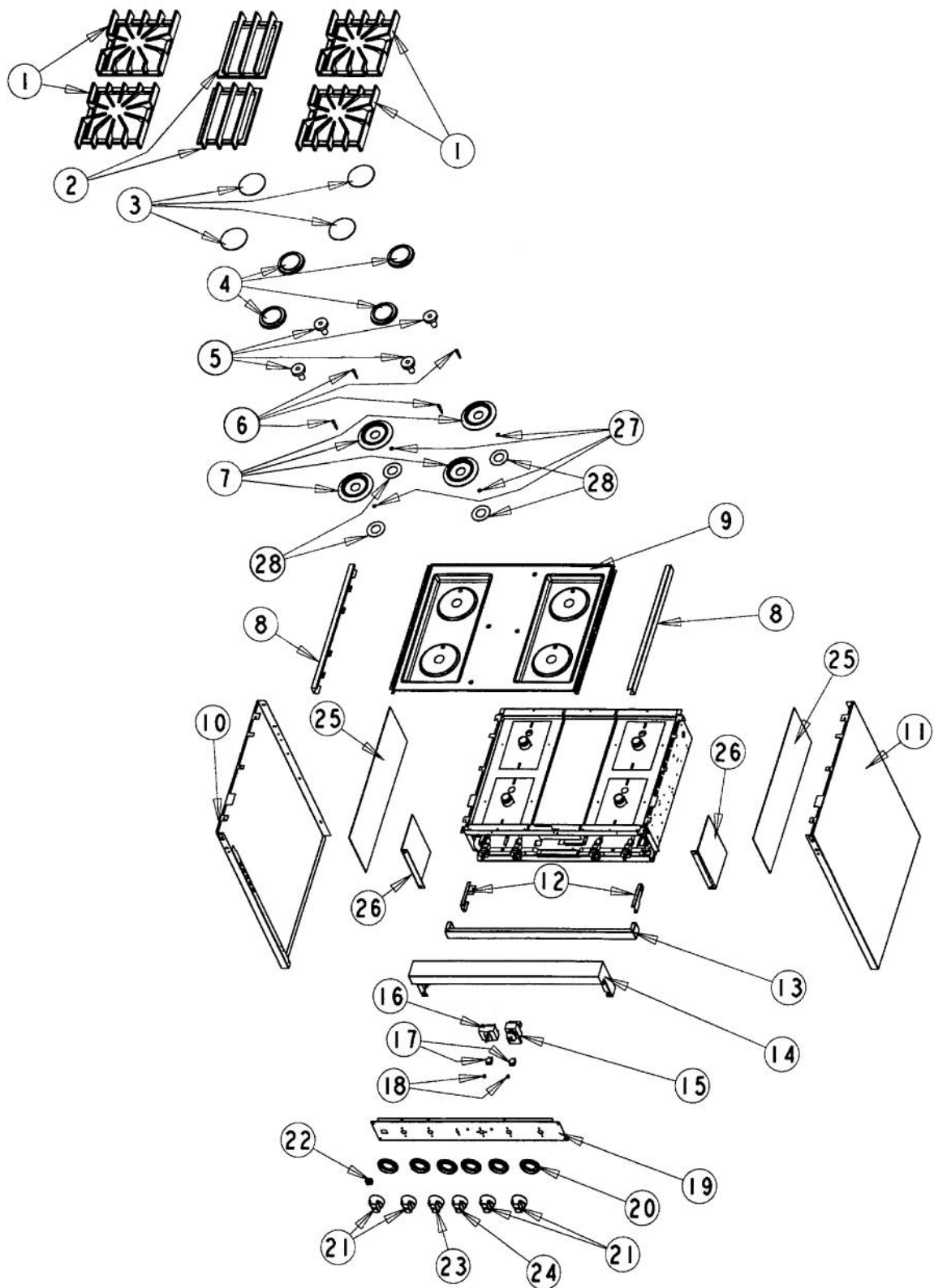


[Find Your VIKING Range Hoods Parts - Select From 411 Models](#)

----- Manual continues below -----



Ref #	Part Number	Qty.	Description
1	A1006734		BODY BURNER PLATE
NI	PD010026		NO.6-32 X 1/2 PH. PAN HD. M.S.
2	PB040194		SEALED RANGE ORIFICE (NAT)
	PB040217		L.P. ORIFICE
3	PA080075		BODY BURNER D (VDSC3074BSS)
4	A2006744		CENTER SUPPORT (VDSC3074B)
5	A2006746		BURNER SUPPORT (VDSC3074B)
6	L2006736		HEAT SINK PLATE
7	A1006737		DOOR LOCK ACCESS PANEL-SEALED
8	G3006739		DOOR LOCK INSULATION BOX WELD ASSY
9	A2004456		REAR BURNER SUPT. (VGSC306)
10	A1002492		PLUG BRKT
11	A2002663		WIRE HARNESS CHANNEL RH VDSC
12	A2006747		BURNER BOX SIDE RH (VDSC3074B)
13	A1001138		MANIFOLD BRKT
14	A2001401		INSULATION PANEL
15	A2006748		BURNER BOX SIDE LH (VDSC3074B)
16	A2008210		COVER BOX
17	A2001404		FRONT BURNER HOLDER (VGSS)
18	A2006753		BURNER BOX BTM (VDSC307)
19	PA020047		INVENSYS 0+4 RE-IGNITION SPARK MODULE
20	PA050085		1/2 STREET ELBOW
21	PA070001		PRESSURE REGULATOR (NAT.)
22	PB020162		1/2 NPT STEEL PIPE-10 1/8
23	A2007652		SPARK MODULE SUPPORT
24	PB020156		16`` FLEX TUBING
25	PB020168		BURNER TUBING
26	PA050080		1/2`` THREADED PIPE UNION
27	PA050113		MANIFOLD
28	G50012679		SEALED BURNER VALVE KIT
	PA010158		SUB TO 003517-000 - SEALED BURNER FLARE VALVE
29	PA020015		SPARK IGNITION SWITCH
	PA020045		IGNITOR SWITCH
30	PA020029		SWITCH SPACER
NI	G3206743		BURNER BODY ASSY (VDSC3074B)

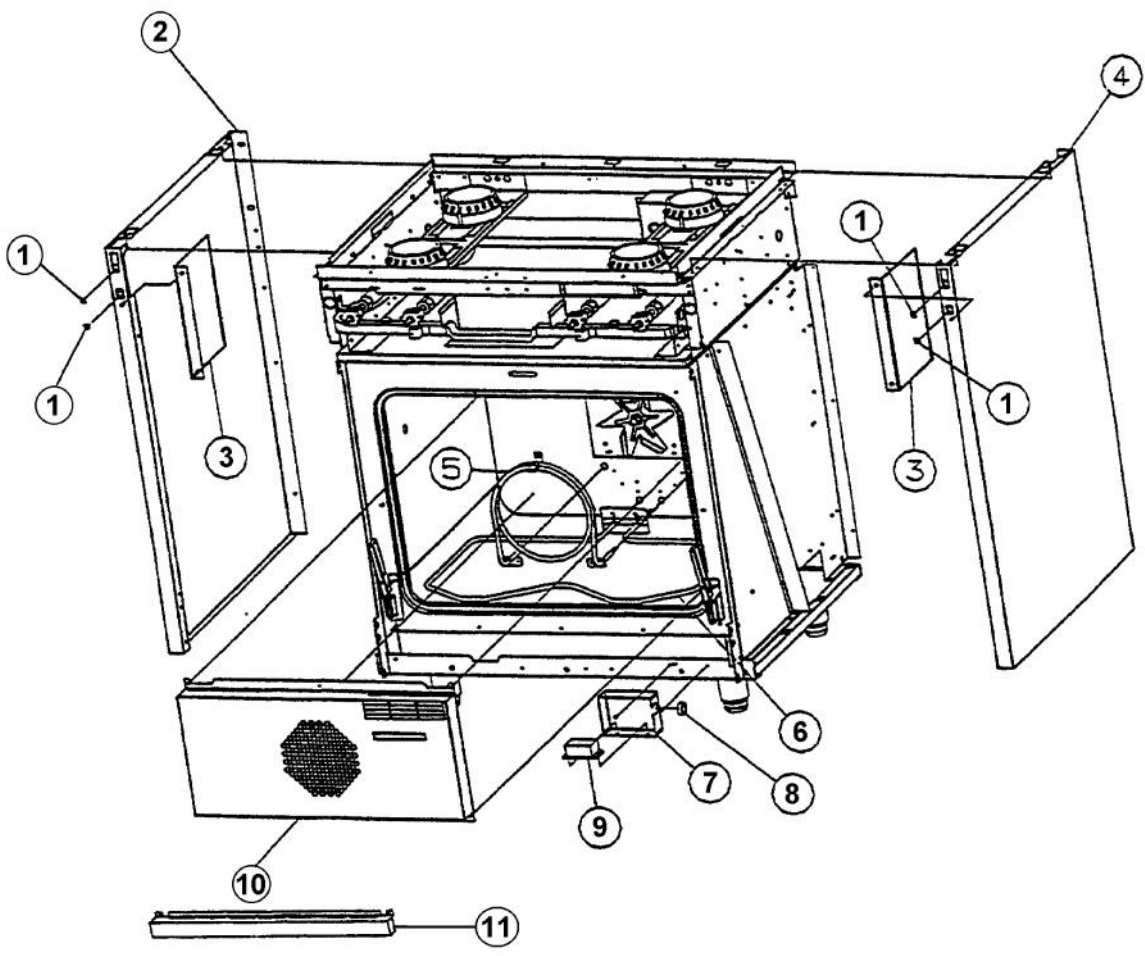


Ref #	Part Number	Qty.	Description
1	PA060054		SEALED GRATE XBKX
	PA060062		SEALED GRATE GRAY
2	PA060060		SEALED COOKTOP CENTER GRATE XBKX
	PA060061		SEALED COOKTOP CENTER GRATE GRAY
3	PA080083		D BURNER CAP XMATTE BLACKX
	PA080086		D BURNER CAP XMATTE GRAYX
4	PB050063		BURNER HEAD
5	PA010100		VENTURI D (VDSC3074B)
6	PB040264		GLAZED ELECTRODE REPLACED BY PB050081
7	PB050062		BURNER BASE
8	B2006724		SEALED TOPSIDE TRIM (BEFORE 9/25/03)
	C9306724BR		SEALED TRIM RH XBRX (BEFORE 9/25/03)
	B2007868		IC SEALED SIDE TRIM (AFTER 9/25/03)
	C9307868BR		IC SEALED SIDE TRIM XBRX (AFTER 9/25/03)
9	G3206723AL		MAIN TOP WELD ASSY. - AL (BEFORE 6/11/03) (BEFORE 9/25/03)
	G3206723		30 MAIN TOP ASSY (VDSC3074B) (BEFORE 9/25/03)
	G3206723BT		MAIN TOP WELD ASSY. - BT (BEFORE 6/11/03) (BEFORE 9/25/03)
	G3206723CB		MAIN TOP WELD ASSY. - CB (BEFORE 6/11/03) (BEFORE 9/25/03)
	G3206723EP		MAIN TOP WELD ASSY. - EP (BEFORE 6/11/03) (BEFORE 9/25/03)
	G3206723FG		MAIN TOP WELD ASSY. - FG (BEFORE 6/11/03) (BEFORE 9/25/03)
	G3206723GG		MAIN TOP WELD ASSY. - GG (BEFORE 6/11/03) (BEFORE 9/25/03)
	G3206723LE		MAIN TOP WELD ASSY. - LE (BEFORE 6/11/03) (BEFORE 9/25/03)
	G3206723MJ		MAIN TOP WELD ASSY. - MJ (BEFORE 6/11/03) (BEFORE 9/25/03)
	G3206723SG		MAIN TOP WELD ASSY. - SG (BEFORE 6/11/03) (BEFORE 9/25/03)
	G3206723VB		MAIN TOP WELD ASSY. - VB (BEFORE 6/11/03) (BEFORE 9/25/03)
	G3206723WH		30 MAIN TOP ASSY (VDSC3074B) (BEFORE 9/25/03)
	E9107413AL		MAIN TOP WELD ASSY. - AL (AFTER 6/11/03) (AFTER 9/25/03)
	E9107413BK		MAIN TOP 30 XBKX (AFTER 9/25/03)
	E9107413BT		MAIN TOP WELD ASSY. - BT (AFTER 6/11/03) (AFTER 9/25/03)
	E9107413CB		MAIN TOP WELD ASSY. - CB (AFTER 6/11/03) (AFTER 9/25/03)
	E9107413EP		MAIN TOP WELD ASSY. - EP (AFTER 6/11/03) (AFTER 9/25/03)
	E9107413FG		MAIN TOP WELD ASSY. - FG (AFTER 6/11/03) (AFTER 9/25/03)
	E9107413GG		MAIN TOP WELD ASSY. - GG (AFTER 6/11/03) (AFTER 9/25/03)
	E9107413LE		MAIN TOP WELD ASSY. - LE (AFTER 6/11/03) (AFTER 9/25/03)
	E9107413MJ		MAIN TOP WELD ASSY. - MJ (AFTER 6/11/03) (AFTER 9/25/03)

Ref #	Part Number	Qty.	Description
	E9107413SG		(AFTER 9/25/03) MAIN TOP 30 XSGX
	E9107413VB		(AFTER 9/25/03) MAIN TOP WELD ASSY. - VB (AFTER 6/11/03)
	E9107413WH		(AFTER 9/25/03) MAIN TOP 30 XWHX
10	B2006750		(AFTER 9/25/03) O/S BODY PANEL-LH (VDSC3074)
	C9006750AL		(BEFORE 9/25/03) O/S BODY PANEL-LH XALX (VDSC)
	C9006750BK		(BEFORE 9/25/03) O/S BODY PANEL-LH XBKX (VDSC)
	C9006750BT		(BEFORE 9/25/03) O/S BODY PANEL-LH XBTX (VDSC)
	C9006750BU		(BEFORE 9/25/03) O/S BODY PANEL-LH XBUX (VDSC)
	C9006750CB		(BEFORE 9/25/03) O/S BODY PANEL-LH XCBX (VDSC)
	C9006750EP		(BEFORE 9/25/03) O/S BODY PANEL-LH XEPX (VDSC)
	C9006750FG		(BEFORE 9/25/03) O/S BODY PANEL-LH XFGX (VDSC)
	C9006750GG		(BEFORE 9/25/03) O/S BODY PANEL-LH XGGX (VDSC)
	C9006750LE		(BEFORE 9/25/03) O/S BODY PANEL-LH XLEX (VDSC)
	C9006750MJ		(BEFORE 9/25/03) O/S BODY PANEL-LH XMJX (VDSC)
	C9006750SG		(BEFORE 9/25/03) O/S BODY PANEL-LH XSGX (VDSC)
	C9006750VB		(BEFORE 9/25/03) O/S BODY PANEL-LH XVBX (VDSC)
	C9006750WH		(BEFORE 9/25/03) O/S BODY PANEL-LH XWHX (VDSC)
	B2007870		IC SEALED LH SIDE PANEL (AFTER 9/25/03)
	C9007870AL		IC SEALED LH SIDE PANEL XALX (AFTER 9/25/03)
	C9007870BK		IC SEALED LH SIDE PANEL XBKX (AFTER 9/25/03)
	C9007870BT		IC SEALED LH SIDE PANEL XBTX (AFTER 9/25/03)
	C9007870BU		IC SEALED LH SIDE PANEL XBUX (AFTER 9/25/03)
	C9007870CB		IC SEALED LH SIDE PANEL XCBX (AFTER 9/25/03)
	C9007870EP		IC SEALED LH SIDE PANEL XEPX (AFTER 9/25/03)
	C9007870FG		IC SEALED LH SIDE PANEL XFGX (AFTER 9/25/03)
	C9007870GG		IC SEALED LH SIDE PANEL XGGX (AFTER 9/25/03)
	C9007870LE		IC SEALED LH SIDE PANEL XLEX (AFTER 9/25/03)
	C9007870MJ		IC SEALED LH SIDE PANEL XMJX (AFTER 9/25/03)
	C9007870SG		IC SEALED LH SIDE PANEL XSGX (AFTER 9/25/03)
	C9007870VB		IC SEALED LH SIDE PANEL XVBX

Ref #	Part Number	Qty.	Description
	C9007870VB		IC SEALED LH SIDE PANEL XVBX (AFTER 9/25/03)
	C9007870WH		IC SEALED LH SIDE PANEL XWHX (AFTER 9/25/03)
11	B2006749		O/S BODY PANEL-RH (VDSC3074B) (BEFORE 9/25/03)
	C9006749AL		O/S BODY PANEL-RH XALX (VDSC) (BEFORE 9/25/03)
	C9006749BK		O/S BODY PANEL-RH XBKX (VDSC) (BEFORE 9/25/03)
	C9006749BT		O/S BODY PANEL-RH XBTX (VDSC) (BEFORE 9/25/03)
	C9006749BU		O/S BODY PANEL-RH XBUX (VDSC) (BEFORE 9/25/03)
	C9006749CB		O/S BODY PANEL-RH XCBX (VDSC) (BEFORE 9/25/03)
	C9006749EP		O/S BODY PANEL-RH XEPX (VDSC) (BEFORE 9/25/03)
	C9006749FG		O/S BODY PANEL-RH XFGX (VDSC) (BEFORE 9/25/03)
	C9006749GG		O/S BODY PANEL-RH XGGX (VDSC) (BEFORE 9/25/03)
	C9006749LE		O/S BODY PANEL-RH XLEX (VDSC) (BEFORE 9/25/03)
	C9006749MJ		O/S BODY PANEL-RH XMJX (VDSC) (BEFORE 9/25/03)
	C9006749SG		O/S BODY PANEL-RH XSGX (VDSC) (BEFORE 9/25/03)
	C9006749VB		O/S BODY PANEL-RH XVBX (VDSC) (BEFORE 9/25/03)
	C9006749WH		O/S BODY PANEL-RH XWHX (VDSC) (BEFORE 9/25/03)
	B2007869		IC SEALED RH SIDE PANEL (AFTER 9/25/03)
	C9007869AL		IC SEALED RH SIDE PANEL XALX (AFTER 9/25/03)
	C9007869BK		IC SEALED RH SIDE PANEL XBKX (AFTER 9/25/03)
	C9007869BT		IC SEALED RH SIDE PANEL XBTX (AFTER 9/25/03)
	C9007869BU		SEALED RH SIDE PANEL XBUX (AFTER 9/25/03)
	C9007869CB		IC SEALED RH SIDE PANEL XCBX (AFTER 9/25/03)
	C9007869EP		IC SEALED RH SIDE PANEL XEPX (AFTER 9/25/03)
	C9007869FG		IC SEALED RH SIDE PANEL XFGX (AFTER 9/25/03)
	C9007869GG		IC SEALED RH SIDE PANEL XGGX (AFTER 9/25/03)
	C9007869LE		IC SEALED RH SIDE PANEL XLEX (AFTER 9/25/03)
	C9007869MJ		IC SEALED RH SIDE PANEL XMJX (AFTER 9/25/03)
	C9007869SG		IC SEALED RH SIDE PANEL XSGX (AFTER 9/25/03)
	C9007869VB		IC SEALED RH SIDE PANEL XVBX (AFTER 9/25/03)
	C9007869WH		IC SEALED RH SIDE PANEL XWHX (AFTER 9/25/03)

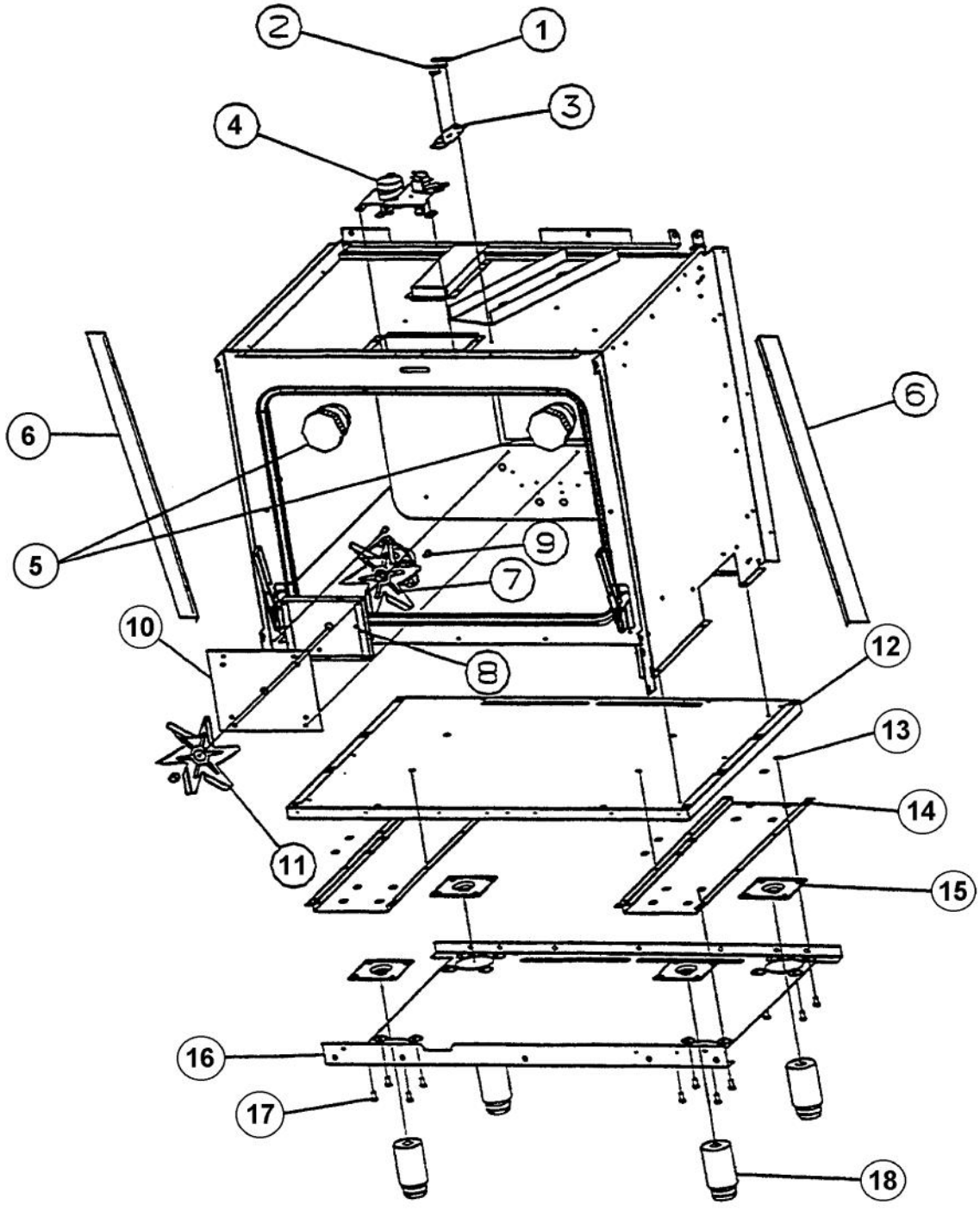
Ref #	Part Number	Qty.	Description
12	A2006777		(AFTER 9/25/03)
	A2006778		VDSC307 TRAY HANDLE BRKT. -LH
13	G50014406		VDSC307 TRAY HANDLE BRKT.-RH
	G50014407		30 FALSE TRAY HANDLE SVC. KIT (SS)
14	G3006766		30 FALSE TRAY HANDLE SVC. KIT (BR)
15	PJ030003		SEALED LANDING LEDGE ASSY
			THERMOSTAT (SELF-CLEAN) VDSC
			(BEFORE 02/02/05)
15	PJ030031		SUB TO PS500032 - UPPER THERMOSTAT
			(AFTER 02/02/05)
16	PJ030001		SELECTOR SWITCH (8-POSITION) VDSC
17	PE050024		OVEN IND. LIGHT (LIGHT HOUSING)
18	PE050023		OVEN IND. LIGHT (LENS & BEZEL)
19	B92010453		CONTROL PANEL -VDSC30
20	PB010208		BEZEL, CHROME PLATE
	PB010209		BEZEL BRASS
21	PB010206		VGSC,VGRC,VGRT TOP BURNER KNOB(BK)
	PB010207		VGSC,VGRC,VGRT TOP BURNER KNOB(WH)
22	PE050016		OVEN LIGHT SWITCH - XBKX (WES-GAR)
	PE050017		OVEN LIGHT SWITCH - XWHX (WES-GAR)
23	PB010230		OVEN SELECT. KNOBxBKX VDSC307
	PB010132		SELECTOR KNOB XWHX (VDSC)
24	PB010129		THERMOSTAT KNOB XBKX (VDSC)
	PB010130		THERMOSTAT KNOB XWHX (VDSC)
25	PB070140		BOARD INSULATION 8``X24``
26	J2002593		OVEN SIDE HEAT SINK
27	ORDER IGNITER		N/A
28	PB070124		GASKET (VDSC3074B) REPLACED BY PB050081
NI	G3206741		BURNER BASE / IGNITER ASSY
			(ITEMS 6,7,27,28)
NI	G50013869		VDSC307 BURNER SUPPORT SERVICE KIT



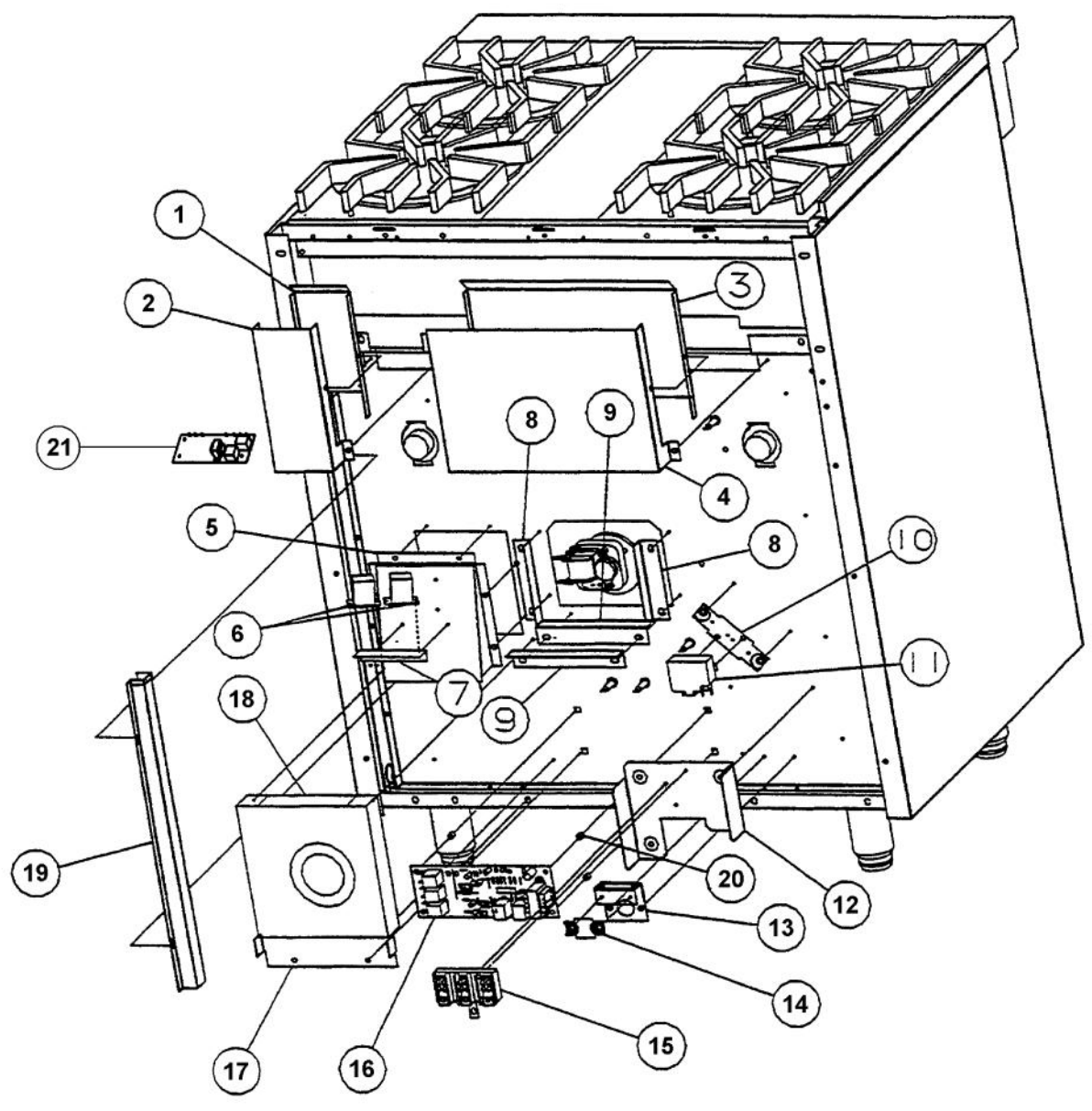
Ref #	Part Number	Qty.	Description
1	PD030005		SELF RETAINING NUT
2	B2006750		O/S BODY PANEL-LH (VDSC3074) (BEFORE 9/25/03)
	C9006750AL		O/S BODY PANEL-LH XALX (VDSC) (BEFORE 9/25/03)
	C9006750BK		O/S BODY PANEL-LH XBKX (VDSC) (BEFORE 9/25/03)
	C9006750BT		O/S BODY PANEL-LH XBTX (VDSC) (BEFORE 9/25/03)
	C9006750BU		O/S BODY PANEL-LH XBUX (VDSC) (BEFORE 9/25/03)
	C9006750CB		O/S BODY PANEL-LH XCBX (VDSC) (BEFORE 9/25/03)
	C9006750EP		O/S BODY PANEL-LH XEPX (VDSC) (BEFORE 9/25/03)
	C9006750FG		O/S BODY PANEL-LH XFGX (VDSC) (BEFORE 9/25/03)
	C9006750GG		O/S BODY PANEL-LH XGGX (VDSC) (BEFORE 9/25/03)
	C9006750LE		O/S BODY PANEL-LH XLEX (VDSC) (BEFORE 9/25/03)
	C9006750MJ		O/S BODY PANEL-LH XMJX (VDSC) (BEFORE 9/25/03)
	C9006750SG		O/S BODY PANEL-LH XSGX (VDSC) (BEFORE 9/25/03)
	C9006750VB		O/S BODY PANEL-LH XVBX (VDSC) (BEFORE 9/25/03)
	C9006750WH		O/S BODY PANEL-LH XWHX (VDSC) (BEFORE 9/25/03)
	B2007870		IC SEALED LH SIDE PANEL (AFTER 9/25/03)
	C9007870AL		IC SEALED LH SIDE PANEL XALX (AFTER 9/25/03)
	C9007870BK		IC SEALED LH SIDE PANEL XBKX (AFTER 9/25/03)
	C9007870BT		IC SEALED LH SIDE PANEL XBTX (AFTER 9/25/03)
	C9007870BU		IC SEALED LH SIDE PANEL XBUX (AFTER 9/25/03)
	C9007870CB		IC SEALED LH SIDE PANEL XCBX (AFTER 9/25/03)
	C9007870EP		IC SEALED LH SIDE PANEL XEPX (AFTER 9/25/03)
	C9007870FG		IC SEALED LH SIDE PANEL XFGX (AFTER 9/25/03)
	C9007870GG		IC SEALED LH SIDE PANEL XGGX (AFTER 9/25/03)
	C9007870LE		IC SEALED LH SIDE PANEL XLEX (AFTER 9/25/03)
	C9007870MJ		IC SEALED LH SIDE PANEL XMJX (AFTER 9/25/03)
	C9007870SG		IC SEALED LH SIDE PANEL XSGX (AFTER 9/25/03)
	C9007870VB		IC SEALED LH SIDE PANEL XVBX (AFTER 9/25/03)
	C9007870WH		IC SEALED LH SIDE PANEL XWHX (AFTER 9/25/03)
3	J2002593		OVEN SIDE HEAT SINK
4	B2006749		O/S BODY PANEL-RH (VDSC3074B) (BEFORE 9/25/03)

Ref #	Part Number	Qty.	Description
	C9006749AL		(BEFORE 9/25/03) O/S BODY PANEL-RH XALX (VDSC)
	C9006749BK		(BEFORE 9/25/03) O/S BODY PANEL-RH XBKX (VDSC)
	C9006749BT		(BEFORE 9/25/03) O/S BODY PANEL-RH XBTX (VDSC)
	C9006749BU		(BEFORE 9/25/03) O/S BODY PANEL-RH XBUX (VDSC)
	C9006749CB		(BEFORE 9/25/03) O/S BODY PANEL-RH XCBX (VDSC)
	C9006749EP		(BEFORE 9/25/03) O/S BODY PANEL-RH XEPX (VDSC)
	C9006749FG		(BEFORE 9/25/03) O/S BODY PANEL-RH XFGX (VDSC)
	C9006749GG		(BEFORE 9/25/03) O/S BODY PANEL-RH XGGX (VDSC)
	C9006749LE		(BEFORE 9/25/03) O/S BODY PANEL-RH XLEX (VDSC)
	C9006749MJ		(BEFORE 9/25/03) O/S BODY PANEL-RH XMJX (VDSC)
	C9006749SG		(BEFORE 9/25/03) O/S BODY PANEL-RH XSGX (VDSC)
	C9006749VB		(BEFORE 9/25/03) O/S BODY PANEL-RH XVBX (VDSC)
	C9006749WH		(BEFORE 9/25/03) O/S BODY PANEL-RH XWHX (VDSC)
	B2007869		IC SEALED RH SIDE PANEL (AFTER 9/25/03)
	C9007869AL		IC SEALED RH SIDE PANEL XALX (AFTER 9/25/03)
	C9007869BK		IC SEALED RH SIDE PANEL XBKX (AFTER 9/25/03)
	C9007869BT		IC SEALED RH SIDE PANEL XBTX (AFTER 9/25/03)
	C9007869BU		SEALED RH SIDE PANEL XBUX (AFTER 9/25/03)
	C9007869CB		IC SEALED RH SIDE PANEL XCBX (AFTER 9/25/03)
	C9007869EP		IC SEALED RH SIDE PANEL XEPX (AFTER 9/25/03)
	C9007869FG		IC SEALED RH SIDE PANEL XFGX (AFTER 9/25/03)
	C9007869GG		IC SEALED RH SIDE PANEL XGGX (AFTER 9/25/03)
	C9007869LE		IC SEALED RH SIDE PANEL XLEX (AFTER 9/25/03)
	C9007869MJ		IC SEALED RH SIDE PANEL XMJX (AFTER 9/25/03)
	C9007869SG		IC SEALED RH SIDE PANEL XSGX (AFTER 9/25/03)
	C9007869VB		IC SEALED RH SIDE PANEL XVBX (AFTER 9/25/03)
	C9007869WH		IC SEALED RH SIDE PANEL XWHX (AFTER 9/25/03)
5	PJ010003		CONVECTION ELEMENT (VDSC) 240V
6	PJ010004		BAKE ELEMENT (VDSC) 240V
7	A2002451		FRONT RELAY BRKT (VDSC)
8	PD040005		SNAP BUSHING - 7/8
9	PM010129		RELAY

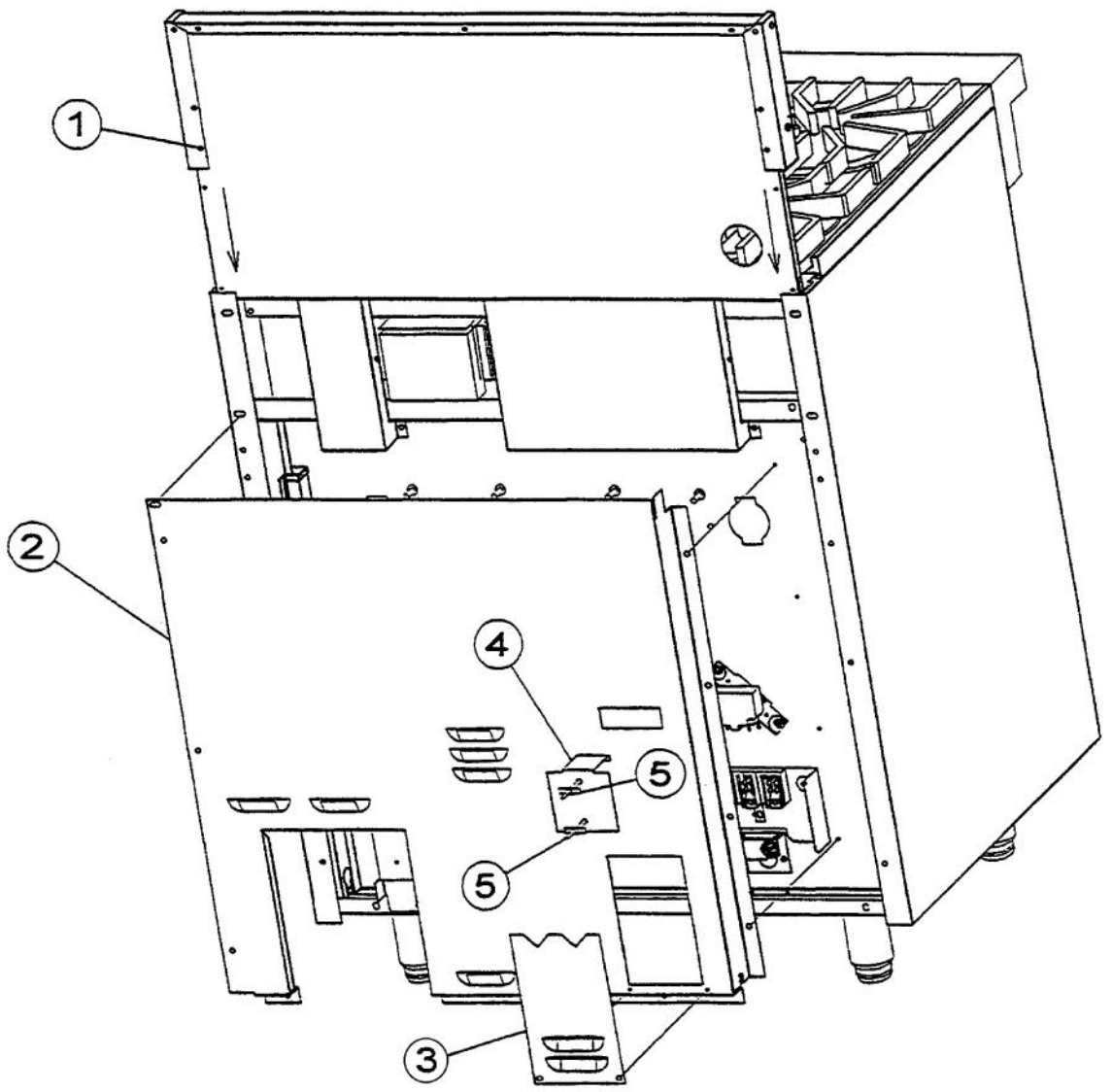
Ref #	Part Number	Qty.	Description
9	PM010129		RELAY
10	E9102170		CONVECTION FAN COVER
NI	PB060030		RACK SUPT REPL PB060010
NI	PB060044		OVEN RK VDSC30/48RH REPL PB060019
11	B2001815		LOWER ACC PAN - (VGRC605)
	C9001815AL		LOWER ACC PAN - XALX (VGRC605) (AFTER 9/25/03)
	C9001815BK		LOWER ACC PAN - XBKX (VGRC605)
	C9001815BT		LOWER ACC PAN - XBTX (VGRC605)
	C9001815BU		LOWER ACC PAN - XBUX (VGRC605)
	C9001815CB		LOWER ACC PAN - XCBX (VGRC605)
	C9001815EP		LOWER ACC PAN - XEPX (VGRC605)
	C9001815FG		LOWER ACC PAN - XFGX (VGRC605)
	C9001815GG		LOWER ACC PAN - XGGX (VGRC605)
	C9001815LE		LOWER ACC PAN - XLEX (VGRC605)
	C9001815MJ		LOWER ACC PAN - XMJX (VGRC605)
	C9001815SG		LOWER ACC PAN - XSGX (VGRC605)
	C9001815VB		LOWER ACC PAN - XVBX (VGRC605)
	C9001815WH		LOWER ACC PAN - XWHX (VGRC605)
NI	019497-000	1	30 CURB BASE KIT



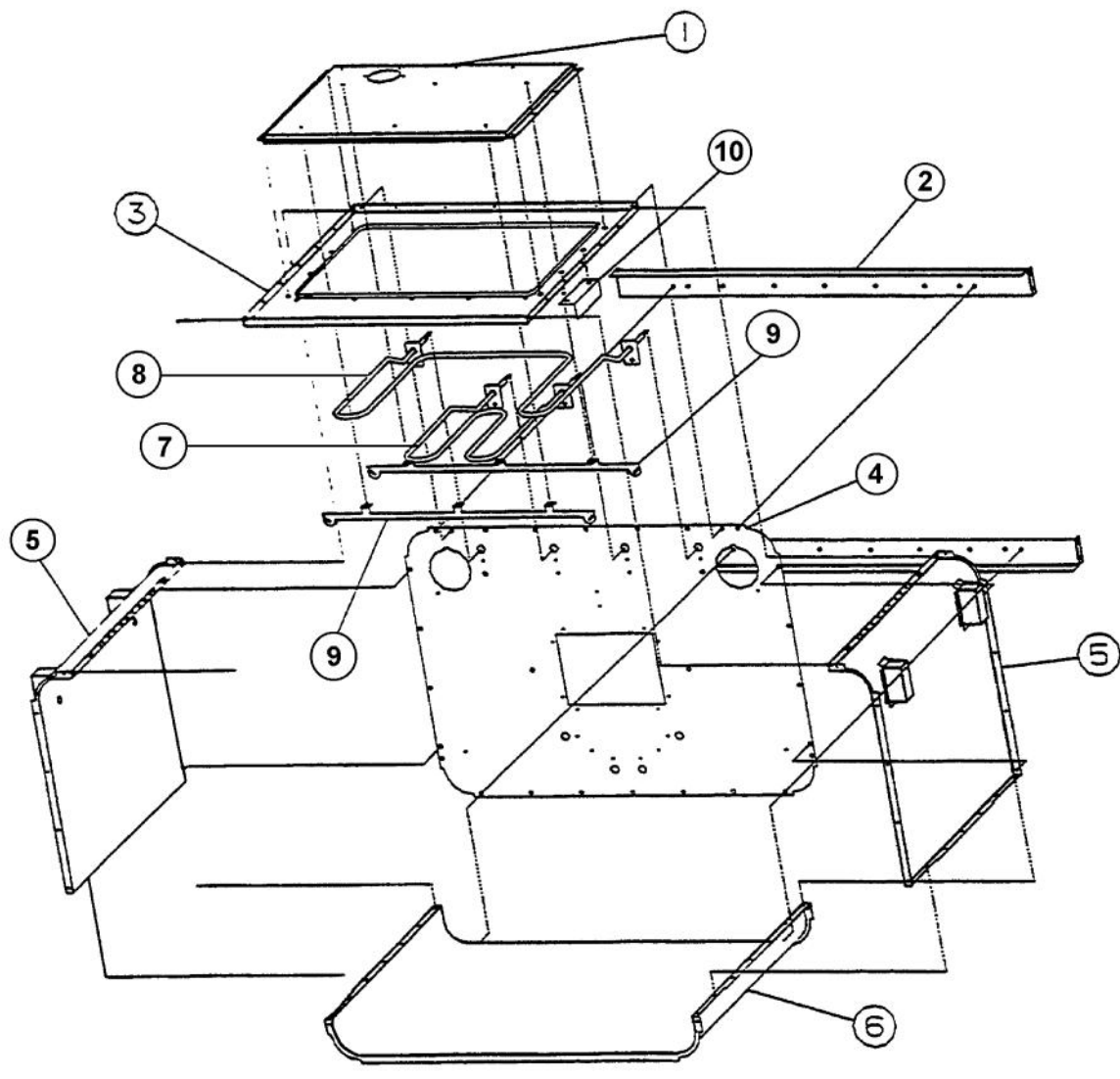
Ref #	Part Number	Qty.	Description
1	PJ030005		SWITCH (HIGH-LIMIT) VDSC
2	PJ030006		SWITCH (COOLING FAN)
3	A1002456		THERMO-DISC BRKT (VDSC)
4	PE050053		DR LATCH REPL PE050020
5	PE050009		OVEN LIGHT SOCKET - 36 BUILT-IN
6	A2002745		SIDE PANEL DIVERTER
7	PE050005		CONVECTION FAN ASSY
8	A2002595		CONVECTION FAN BOX (VDSC)
9	PD020003		NO.10 X 1/2 T(A) HEX WASHER HEAD
10	A1002596		CONVECTION FAN COVER (VDSC)
11	PE050035		CONVECTION FAN BLADE
12	A2002481		BTM INSULATION SHIELD (VDSC)
13	PD030029		SELF RETAINING NUT (1/4-20)
14	A2002482		LEG BRACE (VDSC)
15	PC030007		LEG PLATE - 3/4 THREADED HOLE
16	A2002480		MAIN BTM (VDSC)
17	PD010006		HEX HD. BOLT - 1/4-20 X 1/2
18	PC030017		4 LEG ASSY



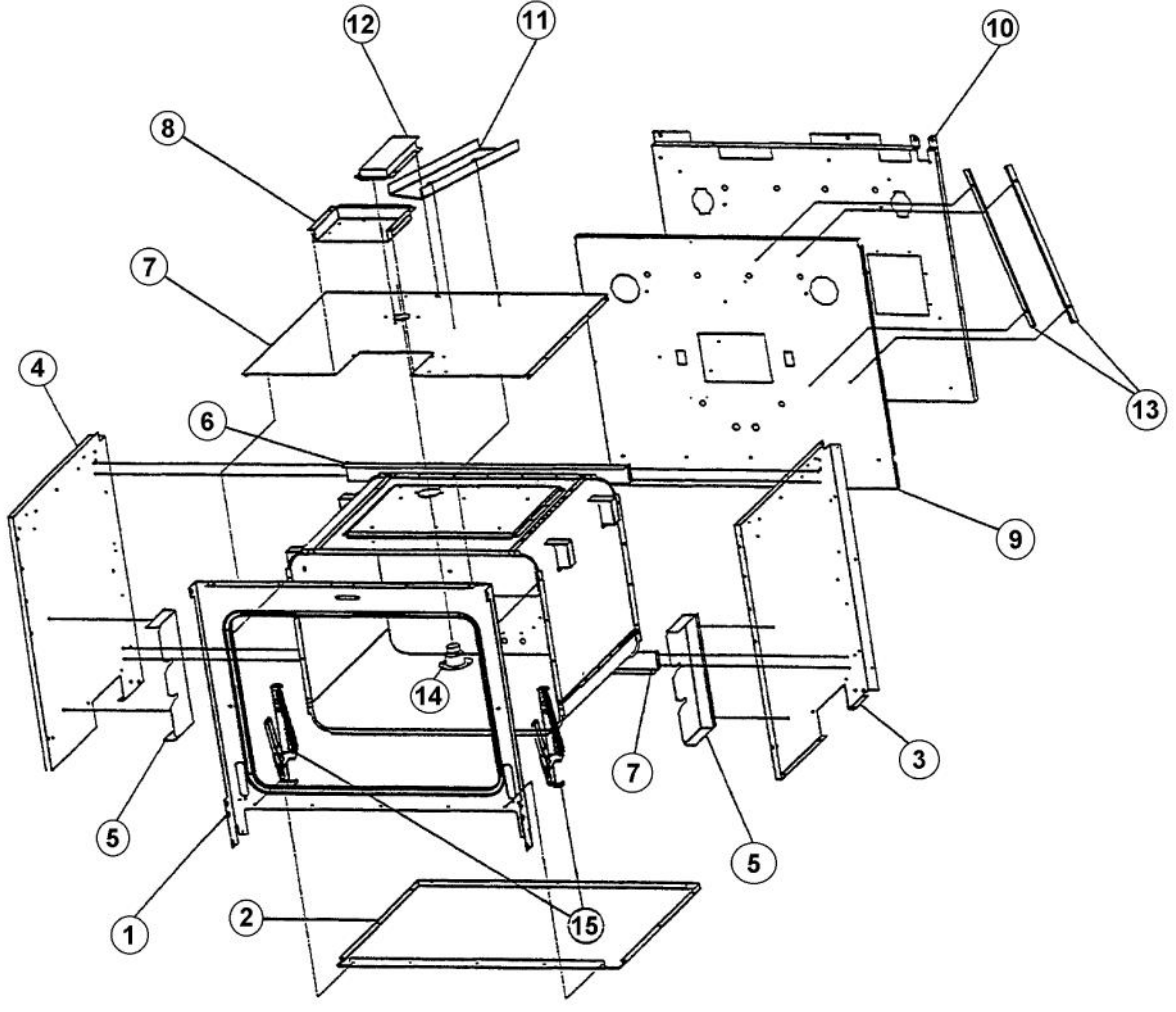
Ref #	Part Number	Qty.	Description
1	A2002484		AIR FLUE (VDSC)
2	A2002483		AIR FLUE (VDSC)
3	A2002486		AIR FLUE (LARGE-BACK) VDSC
4	A2002485		AIR FLUE (LARGE-FRONT) VDSC
5	A2002180		COOLING FAN HOUSING (VDSC)
6	PM010025		RELAY (DOUBLE POLE-DOUBLE THROW)
7	A2007827		RELAY MOUNTING BRACKET
8	A2001746		FAN INSUL. SHIELD - SIDE
9	A2001745		FAN INSUL. SHIELD - UPPER / LOWER
10	A1002456		THERMO-DISC BRKT (VDSC)
11	PJ030002		AUTO RESET (SELF-CLEAN) VDSC
12	A2002193		ELECTRICAL MOUNTING BRKT (VDSC)
13	A2002195		POWER CORD MOUNTING BRKT (VDSC)
14	A1002457		POWER CORD MOUNTING STRAP (VDSC)
15	PE070147		TERMINAL BLOCK
16	PE070148		SELF-CLEAN BOARD/TIMER (VDSC)
17	A2002579		WIRE SHIELD (VDSC)
18	PE050026		COOLING FAN (VDSC)
19	A2000210		WIRE CHANNEL
20	PD030033		GROMMET NUT-ROUND HD. NO.8 X .500DIA.
21	PE070308		PRE-HEAT BOARD
NI	PE070321		RANGE PREHEAT HARNESS



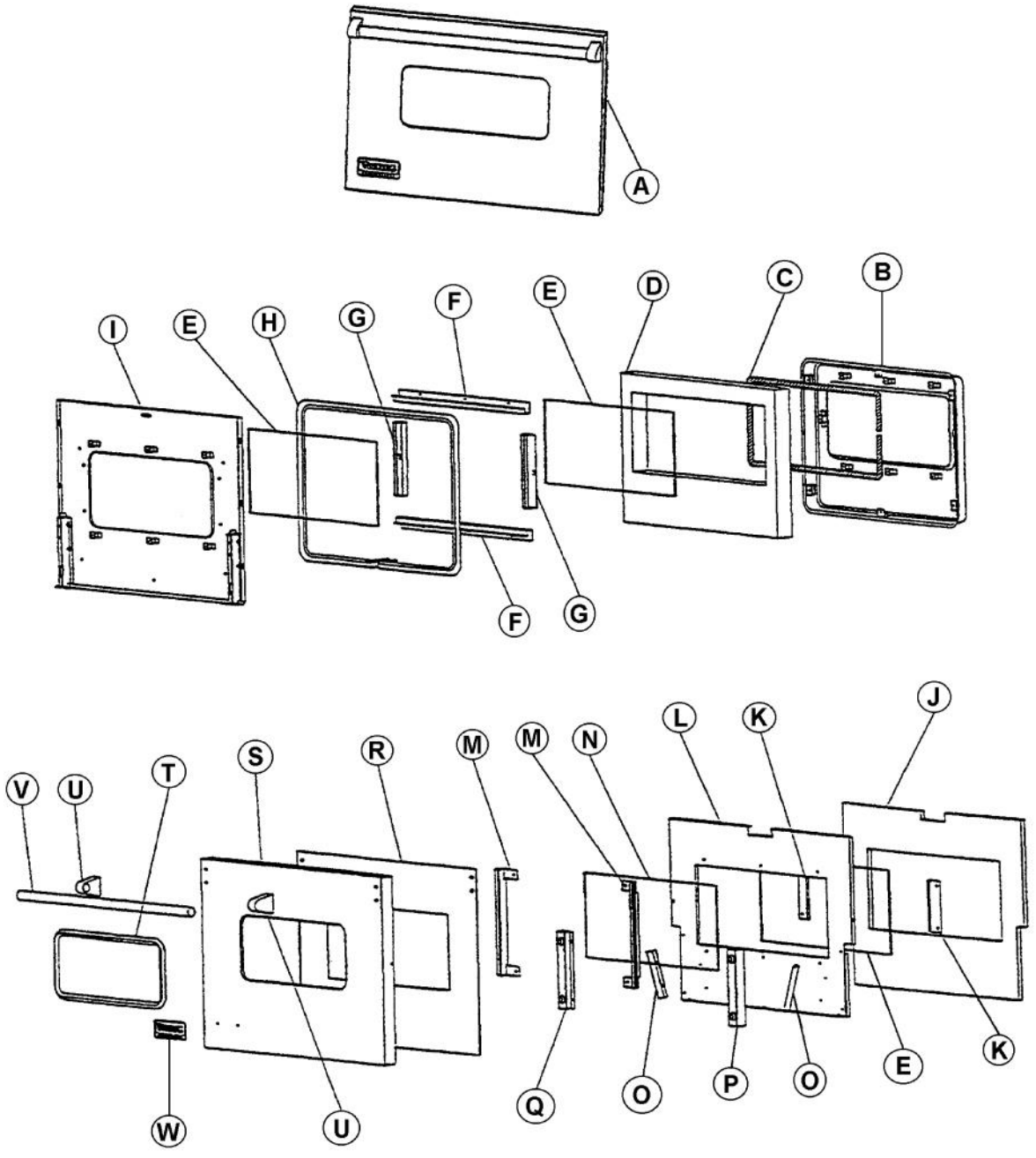
Ref #	Part Number	Qty.	Description
1	G3206730		SEALED VDSC6`` BACKGUARD ASSY
2	A2004294		LOWER BACK COVER (VDSC305)
3	A2002454		BACK COVER ACCESS DOOR
4	A2002654		ANTI-TIP DEVICE (VDSC)
5	PD010018		TOGGLE BOLT (3/16 X 2)
NI	A2002497		DOOR GUIDE ANGLE VDSC
NI	A2005735		BACKGUARD SUPPORT BRACKET



Ref #	Part Number	Qty.	Description
1	B2002167		BROILER TOP (VDSC)
2	A2002158		REAR OVEN SUPT (VDSC)
3	E9102153		OVEN TOP (VDSC)
4	E9102741		OVEN BACK (VDSC30)
5	G9102736		OVEN SIDE ASSY (VDSC)
6	E9102152		OVEN BTM (VDSC)
7	PJ010001		BROIL ELEMENT 240V
8	PJ010002		BROIL ELEMENT(MAXI)-SIDE (VDSC)240V
9	B2002185		BROIL ELEMENT BRKT (VDSC)
NI	PD020003		NO.10 X 1/2 T(A) HEX WASHER HEAD
NI	PD020048		NO.10 X 1/2 TEK 410 SS SCREW
10	B2002489		THERMAL BULB SHIELD (VDSC)



Ref #	Part Number	Qty.	Description
1	G9102743		OVEN FRONT FRAME ASSY (VDSC30)
2	A2002157		OVEN BTM INSUL.RETAINER (VDSC)
3	A2002155		OVEN SIDE INSUL.RETAINER-RH(VDSC)
4	A2002156		OVEN SIDE INSUL.RETAINER-LH(VDSC)
5	A2002183		HINGE INSULATION COVER (VDSC)
6	A2002158		REAR OVEN SUPT (VDSC)
7	A2002160		OVEN TOP INSUL.RETAINER (VDSC)
8	A2002168		DOOR LATCH BRKT (VDSC)
9	A2002746		OVEN BACK INSULATION RETAINER
10	A2002159		O/S BACK (VDSC)
11	A2002450		LATCH COOLING DUCT (VDSC)
12	A2002479		SMOKE ELIMINATOR VENT (VDSC)
13	A2002477		AIR WASH ANGLE (VDSC)
14	PM010014		SMOKE ELIMINATOR (VDSC)
15	PC020009		HINGE ASSY (BROWN)



Ref #	Part Number	Qty.	Description
A	G3202172AL		DOOR SUB-ASSY-XALX (VDSC30)
	G3202172ALBR		DOOR SUB-ASSY-XALXXBRX VDSC30
	G3202172BK		DOOR SUB-ASSY-XBKX (VDSC30)
	G3202172BKBR		DOOR SUB-ASSY-XBKXXBRX (VDSC30)
	G3202172BT		DOOR SUB-ASSY-XBTX (VDSC30)
	G3202172BTBR		DOOR SUB-ASSY-XBTXBRX (VDSC30)
	G3202172BU		DOOR SUB-ASSY-XBUX (VDSC30)
	G3202172BUBR		DOOR SUB-ASSY-XBUXBRX (VDSC30)
	G3202172CB		DOOR SUB-ASSY-XCBX (VDSC30)
	G3202172CBBR		DOOR SUB-ASSY-XCBXXBR VDSC30
	G3202172EP		DOOR SUB-ASSY-XEPX(VDSC30)
	G3202172EPBR		DOOR SUB-ASSY-XEPXBRX (VDSC30)
	G3202172FG		DOOR SUB-ASSY-XFGX (VDSC30)
	G3202172FGBR		DOOR SUB-ASSY-XFGXXBRX (VDSC30)
	G3202172GG		DOOR SUB-ASSY-XGGX (VDSC30)
	G3202172GGBR		DOOR SUB-ASSY-XGGX (VDSC30)
	G3202172LE		DOOR SUB-ASSY-LEX (VDSC30)
	G3202172LEBR		DOOR SUB-ASSY-XLEXBRX (VDSC30)
	G3202172MJ		DOOR SUB-ASSY-XMJX (VDSC30)
	G3202172MJBR		DOOR SUB-ASSY-XMJXXBRX VDSC30
	G3202172SG		DOOR SUB-ASSY-XSGX (VDSC30)
	G3202172SGBR		DOOR SUB-ASSY-XSGXXBRX VDSC30
	G3202172SS		DOOR SUB-ASSY-XSSX (VDSC30)
	G3202172SSBR		DOOR SUB-ASSY-XSSXXBRX (VDSC30)
	G3202172VB		DOOR SUB-ASSY-XVBX (VDSC30)
	G3202172VBBR		DOOR SUB-ASSY-XVBXXBRX (VDSC30)
	G3202172WH		DOOR SUB-ASSY-XWHX (VDSC30)
	G3202172WHBR		DOOR SUB-ASSY-XWHXXBRX (VDSC30)
B	G9102745		DR PG ASSY VDSC30/48 RE H9102175
C	PB070040		FIBERGLASS ROPE
D	PB070145		SUPERWOOL 5 X 24 X 3'
E	PE060039		GLASS-HEAT TREATED (HB2) VDSC
F	E9102178		WINDOW LINER-TOP/BTM (VDSC)
G	E9102179		WINDOW LINER-SIDE (VDSC)
H	PB070041		SUB TO 000623-000 - DOOR GASKET(3/8DIA.) (VDSC)
I	G9102747		DR LINER ASY(VDSC30/48)REP H9102173
J	PB070076		WOOL INSULATION 1 X 21 X 3'
K	A2002189		DOOR GLASS STANDOFF (VDSC)
L	A2002169		DOOR INSULATION RETAINER (VDSC30)
M	A2002367		DOOR GLASS BRKT
N	PE060030		GLASS-OUTER DOOR BK SCREENED,TEMP
O	A2002497		DOOR GUIDE ANGLE VDSC
P	A2002498		HINGE POCKET COVER RH
Q	A2002499		HINGE POCKET COVER LH
R	J1002594		OVEN DR HEAT SINK (VDSC30)
S	B2002188		O/S DOOR PANEL XSSX (VDSC30)
	C9002188AL		O/S DOOR PANEL-XALX (VDSC30)
	C9002188BK		O/S DOOR PANEL-XBKX (VDSC30)
	C9002188BT		O/S DOOR PANEL-XBTX (VDSC30)
	C9002188BU		O/S DOOR PANEL-XBUX (VDSC30)
	C9002188CB		O/S DOOR PANEL-XCBX (VDSC30)
	C9002188EP		O/S DOOR PANEL-XEPX (VDSC30)
	C9002188FG		O/S DOOR PANEL-XFGX (VDSC30)
	C9002188GG		O/S DOOR PANEL-XGGX (VDSC30)
	C9002188LE		O/S DOOR PANEL-XLEX (VDSC30)
	C9002188MJ		O/S DOOR PANEL-XMJX (VDSC30)
	C9002188SG		O/S DOOR PANEL-XSGX (VDSC30)
	C9002188VB		O/S DOOR PANEL-XVBX (VDSC30)
	C9002188WH		O/S DOOR PANEL-XWHX (VDSC30)
T	PE060031		J-MOLD (LARGE WINDOW)

Ref #	Part Number	Qty.	Description
T	PE060031		J-MOLD (LARGE WINDOW)
	PE060045		J-MOLD (LARGE WINDOW) XBRX
U	PE030001		BRACKET, DOOR, HANDLE
	PE030001PVD		END CAP DOOR HANDLE XBR
V	PE030005		DOOR HANDLE - VGSC30/RC60/RC48RH
	PE030012PVD		DOOR HANDLE - RH - (30/48) PVD
W	PE010016		NAMEPLATE, LOGO, PRO
	PE010017		LOGO (VGSO,VEDO,VGDO,VUD) XWH/CHR
	PE010079		4.5 LOGO/VIKING PROF, BK/BR
	PE010080		4.5 LOGO/VIKING PROF XWH/BR
	PE010046		4 1/2 LOGO/ULTRALINE PROF XBKX
	PE010047		4 1/2 LOGO/ULTRALINE PROF XWHX
	PE010077		4 1/2LOGO/ULTRALINE PROF XBKXXBRX
	PE010078		4 1/2LOGO/ULTRALINE PROF XWHXXBRX
NI	PD020032		SRW-8(A)X3/8PH.WFR HD 7/16DIAXNICL

*No Image
Available*

Ref #	Part Number	Qty.	Description
NI	PE070183		HARNESS-12 CIRCUIT
NI	PE070143		WIRE HARNESS-9/2 CIRCUIT (VDSC)
NI	PE070182		HARNESS-2/6/12 CIRCUIT
NI	PE070145		WIRE HARNESS-6 CIRCUIT (VDSC)
NI	G4002385		WIRE HARNESS-SPARK SWITCHES (VDSC30)
NI	G4006745		GROUND WIRE ASSY (VDSC3074B)
NI	G4008224		RED WIRE SWITCH ASSY 18GA-21
NI	G4008227		RED WIRE SWITCH ASSY 18GA-17
NI	G4008222		IGNITER WIRE ASSY. - 27"
NI	G4008228		IGNITOR WIRE ASSY 18GA-23
NI	G4008221		WHITE WIRE ASSY 18GA-31
NI	G4008220		RED WIRE ASSY 18GA-27