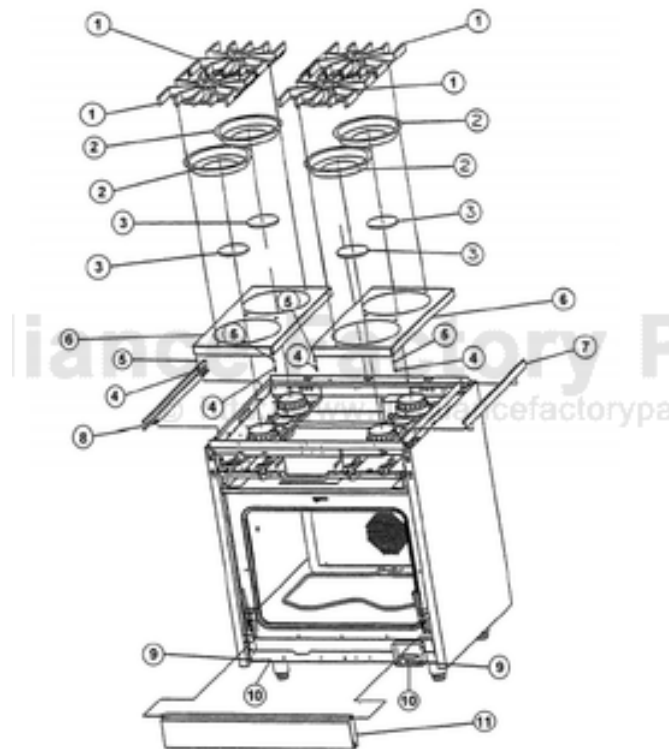


This Owner's Manual is provided and hosted by [Appliance Factory Parts](#).



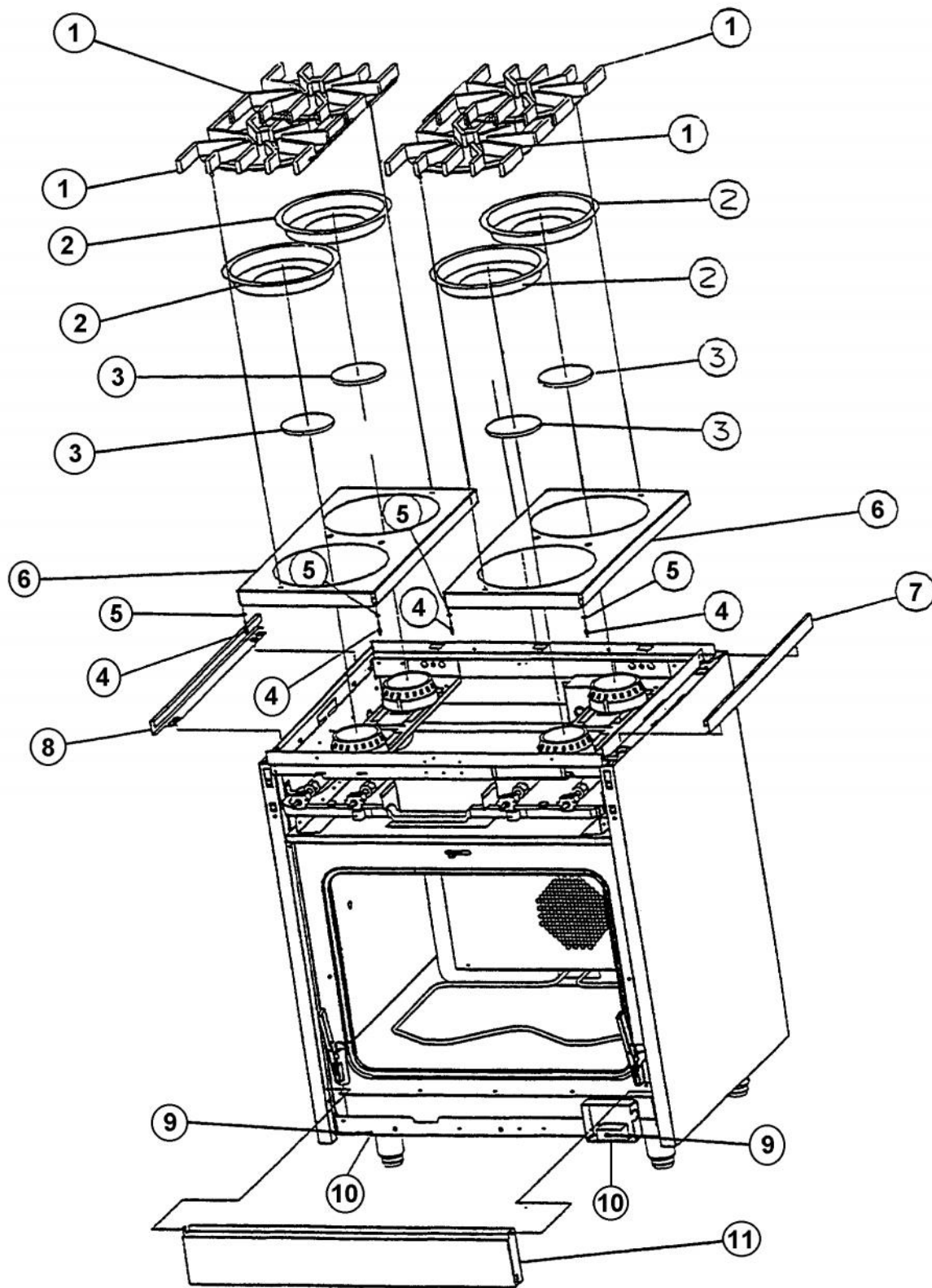
VIKING VDSC365_1 Owner's Manual

[Shop genuine replacement parts for VIKING
VDSC365_1](#)

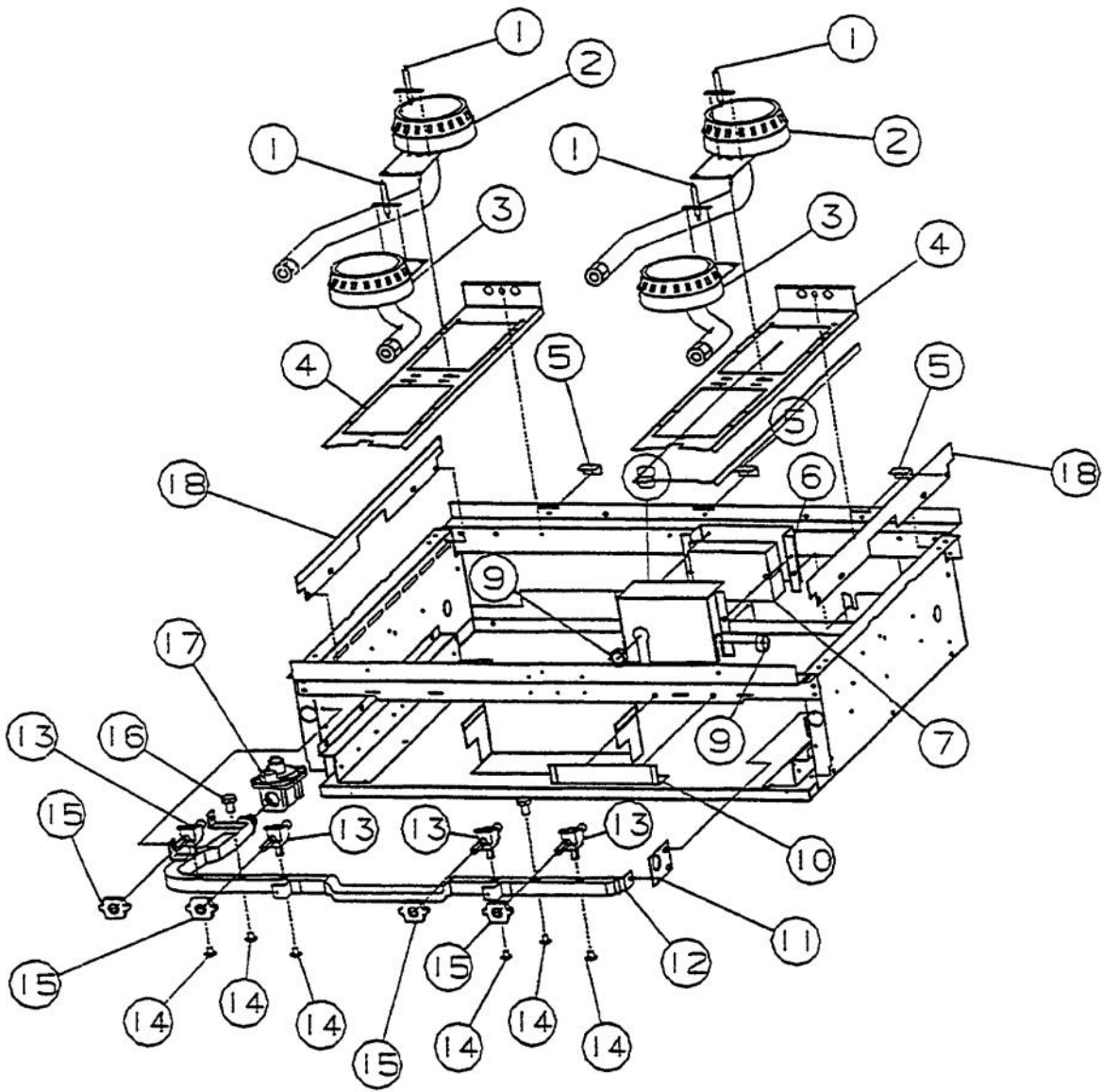


[Find Your VIKING Range Hoods Parts - Select From 411 Models](#)

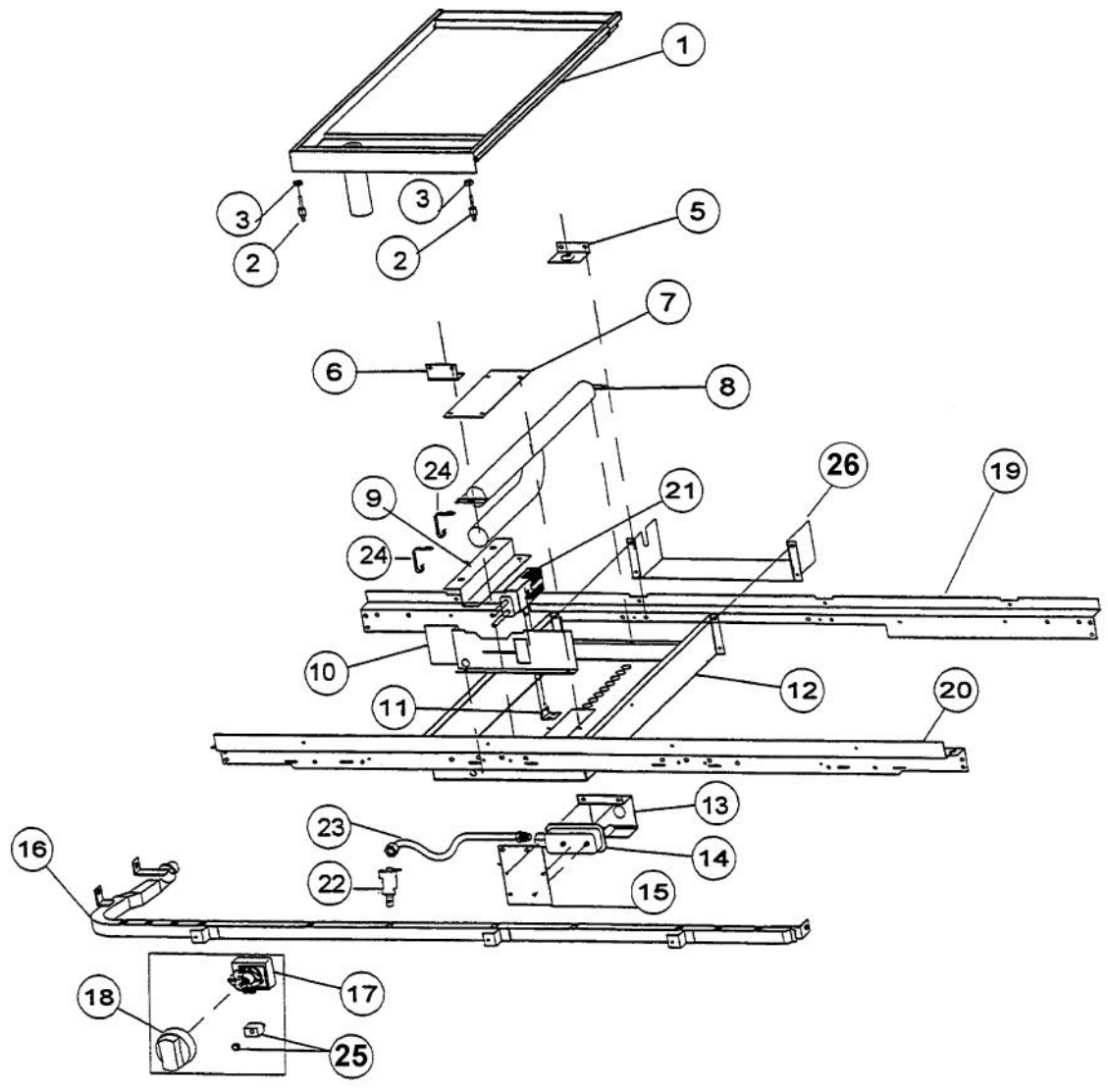
----- Manual continues below -----



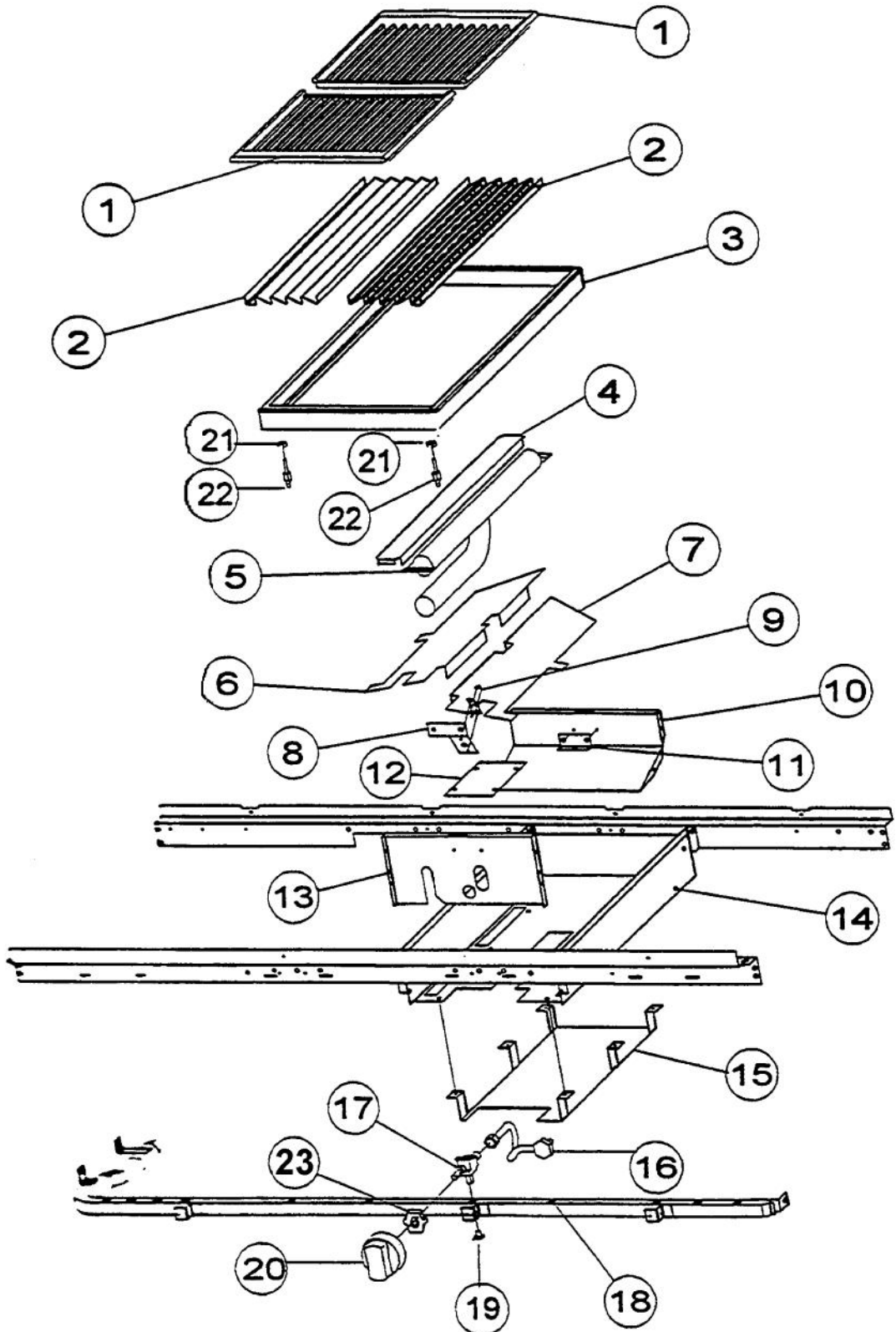
Ref #	Part Number	Qty.	Description
1	PA060037		GRATE BK REPL PA060024 (GEN.NO.2)
1	PA060038		GRAY GRATES
2	PA030002AL		BURNER BOWL - AL
2	PA030002BK		BURNER BOWL (VGRT) XXBKXX
2	PA030002BT		BURNER BOWL - BT
2	PA030002CB		BURNER BOWL - CB
2	PA030002EP		BURNER BOWL - EP
2	PA030002FG		BURNER BOWL - FG
2	PA030002GG		BURNER BOWLS - GG
2	PA030002LE		BURNER BOWLS - LE
2	PA030002LN		BURNER BOWL (VGRT) XXLNX
2	PA030002MJ		BURNER BOWL (VGRT) XXMJXX
2	PA030002PL		BURNER BOWL (VGRT) XXPLXX
2	PA030002SG		BURNER BOWL - SG
2	PA030002VB		BURNER BOWL (VGRT) XXVBXX
2	PA030002WH		BURNER BOWL (VGRT) XXWHXX
3	PA080015		BURNER CAP-VGRT XBKX
3	PA080016		BURNER CAP-VGRT (GRAY-MATT)
4	PD010017		BALL STUD (VGRT)
5	PD030012		6-32 HEX NUT
6	G50013584AL		BURNER GRATE SUPPORT ASSEMBLY - AL
6	G50013584BK		GRATE SUPPORT SERVICE KIT (BK)
6	G50013584BT		GRATE SUPPORT SERVICE KIT (BT) - NLA
6	G50013584CB		BURNER GRATE SUPPORT ASSEMBLY - CB
6	G50013584EP		BURNER GRATE SUPPORT ASSEMBLY - EP
6	G50013584FG		BURNER GRATE SUPPORT ASSEMBLY - FG
6	G50013584GG		BURNER GRATE SUPPORT ASSEMBLY - GG
6	G50013584LE		BURNER GRATE SUPPORT ASSEMBLY - LE
6	G50013584LN		GRATE SUPPORT SERVICE KIT (LN)
6	G50013584MJ		BURNER GRATE SUPPORT ASSEMBLY - MJ
6	G50013584PL		GRATE SUPPORT ASSEMBLY - PL
6	G50013584SG		BURNER GRATE SUPPORT ASSEMBLY - SG
6	G50013584VB		BURNER GRATE SUPPORT ASSEMBLY - VB
6	G50013584WH		GRATE SUPPORT SERVICE KIT (WH)
7	B2002345		SIDE TRIM - RH (VGSS)
7	C9302345BR		SIDE TRIM - RH (VGSS) XBRX
8	B2002346		SIDE TRIM - LH (VGSS)
8	C9302346BR		SIDE TRIM - LH (VGSS) XBRX
9	PD040020		SPACER
10	PD020005		NO.8 X 1/2 PH.PN.HD.SMS.
11	B2001504		LWR ACC PNL - RPLCS B2001977
11	C9001504AL		LWR ACC PNL - RPLCS C9001977AL
11	C9001504BK		LWR ACC PNL - RPLCS C9001977BK
11	C9001504BT		LWR ACC PNL - RPLCS C9001977BT
11	C9001504BU		LWR ACC PNL - RPLCS C9001977BU
11	C9001504CB		LWR ACC PNL - RPLCS C9001977CB
11	C9001504EP		LWR ACC PNL - RPLCS C9001977EP
11	C9001504FG		LWR ACC PNL - RPLCS C9001977FG
11	C9001504GG		LWR ACC PNL - RPLCS C9001977GG
11	C9001504LE		LWR ACC PNL - RPLCS C9001977LE
11	C9001504LN		LWR ACC PNL - RPLCS C9001977LN
11	C9001504MJ		LWR ACC PNL - RPLCS C9001977MJ
11	C9001504PL		LWR ACC PNL - RPLCS C9001977PL
11	C9001504SG		LWR ACC PNL - RPLCS C9001977SG
11	C9001504VB		LWR ACC PNL - RPLCS C9001977VB
11	C9001504WH		LWR ACC PNL - RPLCS C9001977WH
NI	019501-000	1	36 CURB BASE KIT



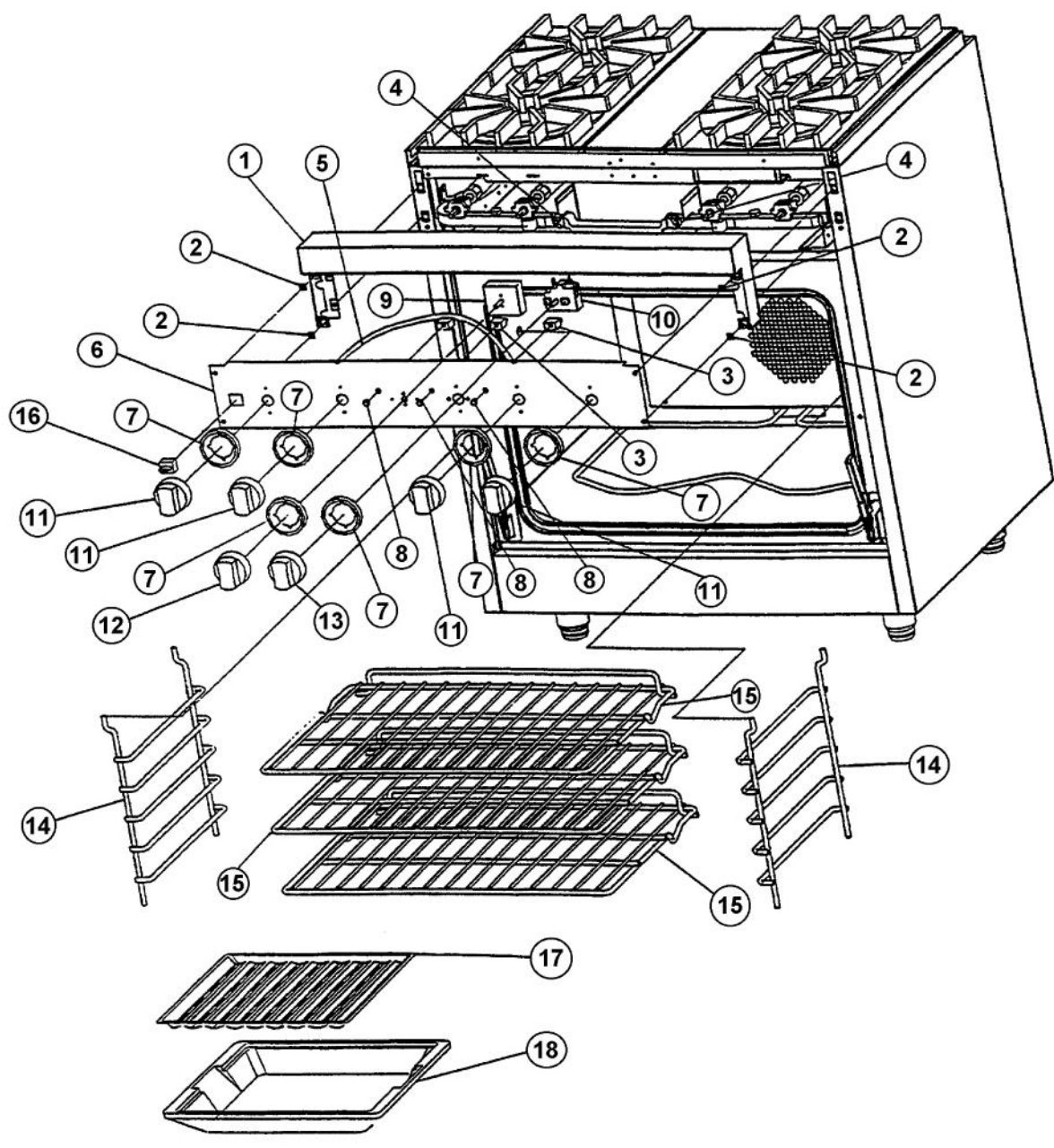
Ref #	Part Number	Qty.	Description
1	PA020014		SPARK IGNITOR
2	PA080036		TOP BURNER REAR REPL PA080008
3	PA080037		TOP BURNER FRONT REPL PA080007
4	A2001112		BURNER SUPT (VGRT)
5	A2001147		GRATE SUPT ANGLE (VGRT)
6	A2002801		SPARK MODULE PLATE (VDSC36/48)
7	PA020041		TYTRONICS 0+4 SPARK MODULE
8	A2002802		SPARK MODULE COVER (VDSC36/48)
9	PD040005		SNAP BUSHING - 7/8
10	A2002663		WIRE HARNESS CHANNEL RH VDSC
11	A1001138		MANIFOLD BRKT
12	PA050114		MANIFOLD
13	003519-000		PA010024 VALVE AND BOLT KIT (BEFORE 08/09/02)
NI	G50012678		TOP BURNER VALVE KIT (BRASS VALVE REPLACEMENT) (BETWEEN 08/09/02 & 02/23/05)
	PA010157		SUB TO 003515-000 - RANGE TOP BURNER VALVE (AFTER 02/23/05)
14	PD010012		VALVE BOLT 1/4-20 UNC-2B 5/16 M.S.
15	PA020015		SPARK IGNITION SWITCH (BEFORE 2/23/05)
	PA020045		IGNITOR SWITCH (AFTER 2/23/05)
16	PA010012		ROPER PLUG
17	PA070001		PRESSURE REGULATOR (NAT.)
18	A2002343		GRATE SUPT HEAT SHIELD (VGR)
NI	PB040034		ORIFICE HOOD-NO.50 (NAT)
NI	PB040036		ORIFICE HOOD-NO.57 (LP)



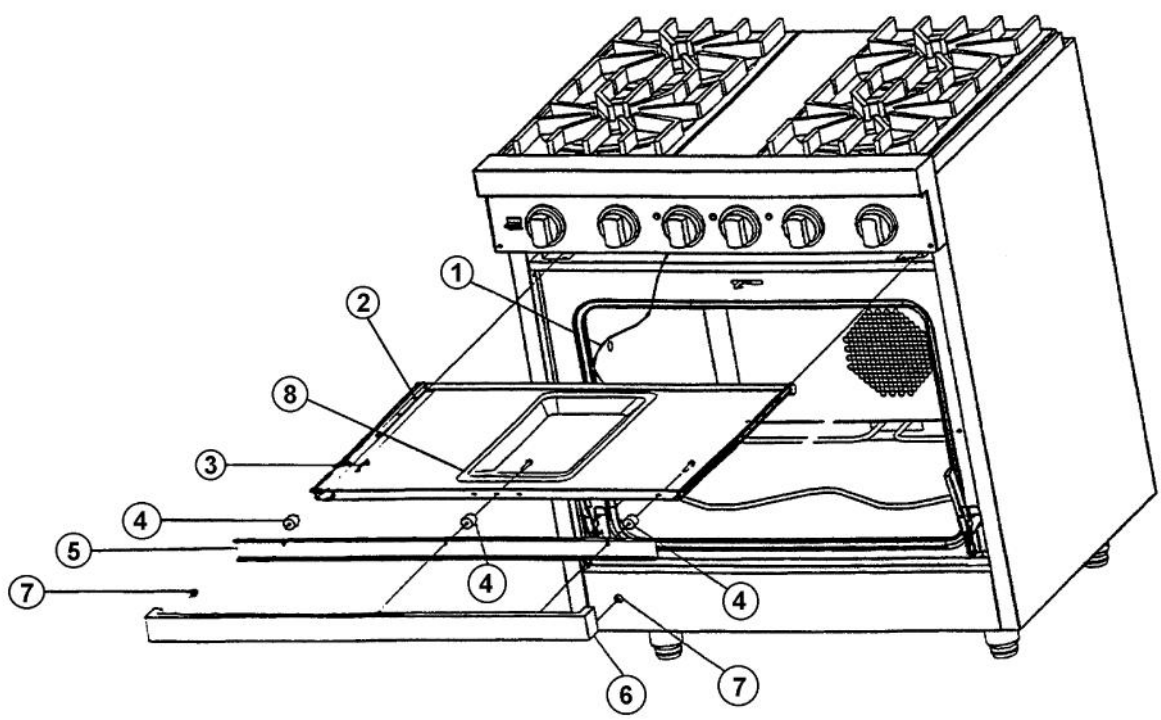
Ref #	Part Number	Qty.	Description
1	G3001278		GRIDDLE ASSY-12
2	PD010017		BALL STUD (VGRT)
3	PD030012		6-32 HEX NUT
5	A2001880		REAR MTG. BRKT. GRIDDLE FLAME SHLD
6	A2001881		FRONT MTG. BRKT. GRIDDLE FLAME SHLD
7	A1001636		GRIDDLE VENTURI COVER
8	PB050077		GRILL BURNER
9	A2001949		T/STAT BULB COVER REPL A2001883
10	A2002001		GRIDDLE HEAT BAFFLE - SLOT SUPT
11	A2001300		GRIDDLE IGNITOR BRKT
12	A2001148		GRIDDLE BOX (VGRT)
13	A2001630		GRIDDLE VALVE COVER (VGRC)
14	PB010004		SINGLE SAFETY VALVE (NAT. GRIDDLE)
15	A1001198		THERMAL VALVE BRKT
16	PA050114		MANIFOLD
17	PB010035		THERMOSTAT BAKE
18	PB010103		GRIDDLE KNOB N/S XBKX
	PB010104		GRIDDLE KNOB N/S XWHX
19	A2002382		REAR BURNER SUPT (VGSS36)
20	A2001105		FRONT SUPT (36)
21	PB040001		IGNITOR - (ALL RANGES)
22	PB030002		SUB TO 003862-000 - SHUTOFF VALVE (BEFORE 2/23/05)
	PB030007		SHUT OFF VALVE (AFTER 2/23/05)
23	PB020116		TUBING - 10 FLEXIBLE 12 & 24
24	PD030031		THERMAL BULB CLIP - .250
25	PE050023		OVEN IND. LIGHT (LENS & BEZEL)
	PE050024		OVEN IND. LIGHT (LIGHT HOUSING)
26	A2002147		GRIDDLE FLUE COVER (VGRT/VGSS/VGIS)
NI	PB040034		ORIFICE HOOD-NO.50 (NAT)
NI	PB040036		ORIFICE HOOD-NO.57 (LP)
NI	A2001179		BACK SUPT (VGRT)



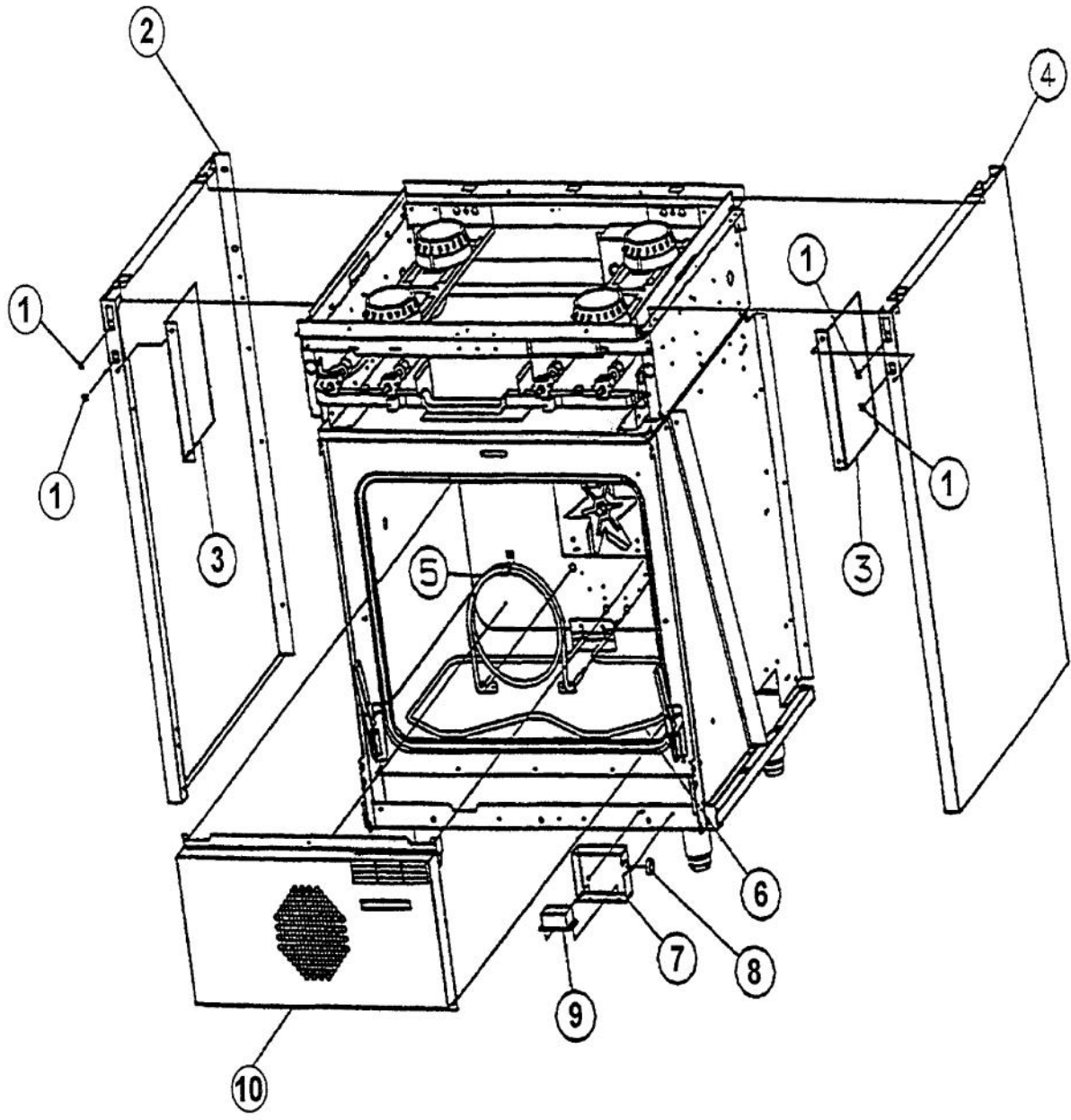
Ref #	Part Number	Qty.	Description
1	PA060028		GRILL GRATE - BK
1	PA060029		GRILL GRATE - GR
2	E9101130BK		GRILL SMOKE GENERATOR
3	G9101182AL		GRILL GRATE SUPT (VGRT) XALX
3	G9101182BK		GRILL GRATE SUPT (VGRT) XBKX
3	G9101182BT		GRILL GRATE SUPT (VGRT) XBTX
3	G9101182CB		GRILL GRATE SUPT (VGRT) XCBX
3	G9101182EP		GRILL GRATE SUPT (VGRT) XEPX
3	G9101182FG		GRILL GRATE SUPT (VGRT) XFGX
3	G9101182GG		GRILL GRATE SUPPORT - GG
3	G9101182LE		GRILL GRATE SUPT (VGRT) XLEX
3	G9101182LN		GRILL GRATE SUPT (VGRT) XLNX
3	G9101182MJ		GRILL GRATE SUPT (VGRT) XMJX
3	G9101182PL		GRILL GRATE SUPT (VGRT) XPLX
3	G9101182SG		GRILL GRATE SUPT (VGRT) XSGX
3	G9101182VB		GRILL GRATE SUPT (VGRT) XVBX
3	G9101182WH		GRILL GRATE SUPT (VGRT) XWHX
4	B2001140		GRILL FLAME SHIELD (VGRT)
5	PB050077		GRILL BURNER
6	B2001856		GRILL HEAT DEFLECTOR-LH (VGRC60)
7	B2001857		GRILL HEAT DEFLECTOR-RH (VGRC60)
8	A2001633		GRILL FRONT SPARKER BRKT (VGRC)
9	PA020014		SPARK IGNITOR
10	A2001855		GRILL BACK - (VGRC605)
11	A2001132		REAR GRILL BURNER BRKT (VGRT)
12	A1001862		GRILL VENTURI COVER (VGRC605)
13	A2001631		GRILL BOX FRONT (VGRC)
14	A2001852		GRILL BOX - (VGRC605)
15	A2001863		GRILL BTM SHIELD (VGRC605)
16	PB020025		TUBING-GRILL (REVISED) REP PB020021
17	PA010030		GRILL VALVE-(VGRT)
18	PA050114		MANIFOLD
19	PD010012		VALVE BOLT 1/4-20 UNC-2B 5/16 M.S.
20	PA010039		TOP GRILL KNOBXBKX (VGRC) (N/STYLE
20	PA010040		TOP GRILL KNOBXWHX (VGRC) (N/STYLE
21	PD030012		6-32 HEX NUT
22	PD010017		BALL STUD (VGRT)
23	PA020011		SPARK IGN SWITCH REPL PA020012
NI	PB040061		ORIFICE HOOD - NO.48



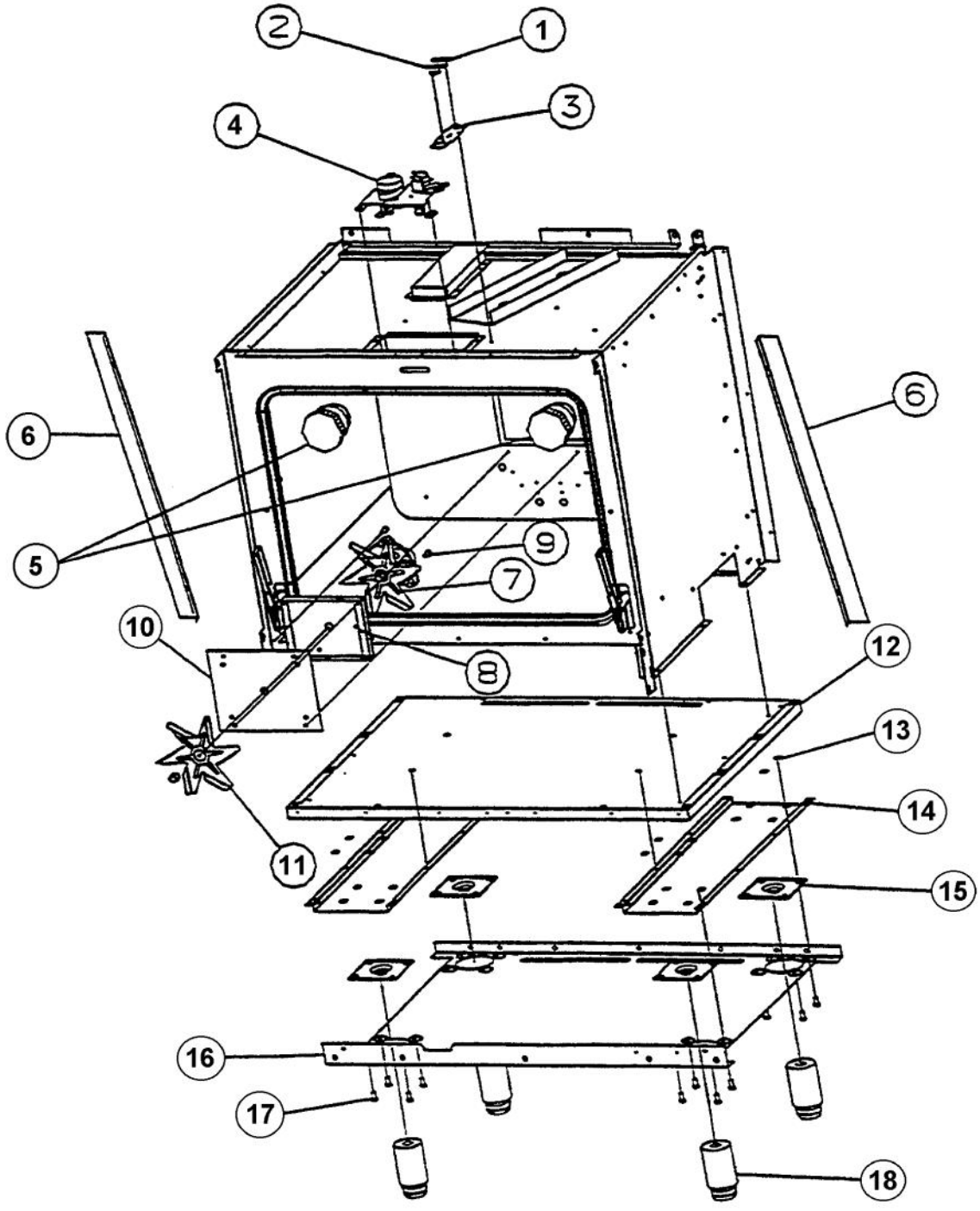
Ref #	Part Number	Qty.	Description
1	G3001585		36 LANDING LEDGE
2	PD030050		10-24 CAGE NUT SS
3	PE050024		OVEN IND. LIGHT (LIGHT HOUSING)
4	PD030032		WIRE CLIP
5	PE070152		CTRL PAN RESTRAINING STRAP
6	B9203171		CTRL PAN (VDSC365-4G) XSLK SCRX (AFTER SERIAL No. R01249700891)
NI	B9202795		CTRL PAN (VDSC365-4G) XSLK SCRX (BEFORE SERIAL No. R01249700891)
NI	B9203172		CTRL PAN (VDSC365-4Q) XSLK SCRX (AFTER SERIAL No. R01249700891)
NI	B9202794		CTRL PAN (VDSC365-4Q) XSLK SCRX (BEFORE SERIAL No. R01249700891)
NI	B9203173		CTRL PAN (VDSC305-6B) XSLK SCRX (AFTER SERIAL No. R01249700891)
NI	B9202796		CTRL PAN (VDSC365-6B) XSLK SCRX (BEFORE SERIAL No. R01249700891)
7	PB010208		BEZEL, CHROME PLATE
	PB010209		BEZEL BRASS
8	PE050023		OVEN IND. LIGHT (LENS & BEZEL)
9	PJ030001		SELECTOR SWITCH (8-POSITION) VDSC
10	PJ030003		THERMOSTAT (SELF-CLEAN) VDSC (BEFORE 02/02/05)
	PJ030031		SUB TO PS500032 - UPPER THERMOSTAT (AFTER 02/02/05)
11	PA010034		TOP BURNER KNOB-XBKX (NEW STYLE) (BEFORE SERIAL No. R0809028249)
	PA010035		BURNER KNOB-WH NS REPL PA010028 (BEFORE SERIAL No. R0809028249)
	PB010206		VGSC,VGRC,VGRT TOP BURNER KNOB(BK) (AFTER SERIAL No. R0809028249)
	PB010207		VGSC,VGRC,VGRT TOP BURNER KNOB(WH) (AFTER SERIAL No. R0809028249)
12	PB010131		SELECTOR KNOB - BK
	PB010132		SELECTOR KNOB XWHX (VDSC)
13	PB010129		THERMOSTAT KNOB XBKX (VDSC)
	PB010130		THERMOSTAT KNOB XWHX (VDSC)
14	PB060030		RACK SUPT REPL PB060010
15	PB060045		OVEN RK VDSC36 REPL PB060020
16	PE050016		OVEN LIGHT SWITCH - XBKX (WES-GAR)
	PE050017		OVEN LIGHT SWITCH - XWHX (WES-GAR)
17	PB080003		BROILER PAN TRAY (KRA2)
18	PB080002		BROILER PAN



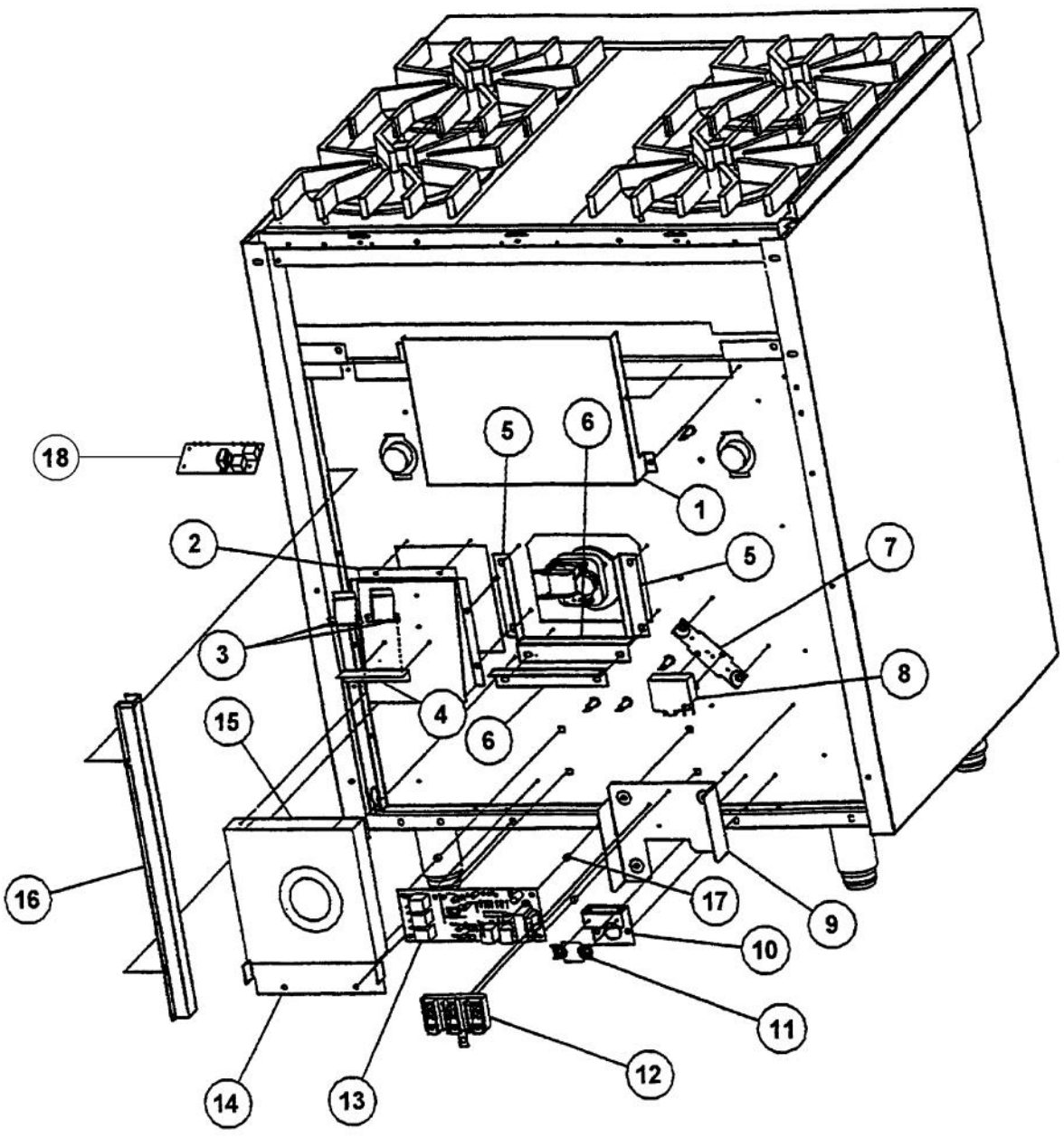
Ref #	Part Number	Qty.	Description
1	G4002752		DRIP TRAY GROUND WIRE (VDSC)
2	G3002824		DRIP TRAY (VDSC36)
			(BEFORE 11/18/04)
	G30010455		36 DRIP TAY ASSY
			(AFTER 11/18/04)
3	PD020049		NO.10 X 1 1/4 PH. PAN HD. T(A)
4	PD040028		BUSHING(.194ID/.750OD/.750LONG)
5	B2002653		DRIP TRAY BACK PLATE-VDSC36
6	G30010696		DRIP TRAY HANDLE ASSY 36
	G93011459PVD		DRIP TRAY HANDLE ASSY 36 PVD
7	PD040004		GROMMET BUMPER
8	PB080061		GREASE PAN
			(AFTER SERIAL NO. R12139612235)
	PB080011		GREASE PAN
			(BEFORE SERIAL NO. R12139612235)
NI	PK000009		RUNNER, DRIP TRAY - LH (VGRT)
	PK000010		RUNNER, DRIP TRAY - RH (VGRT)



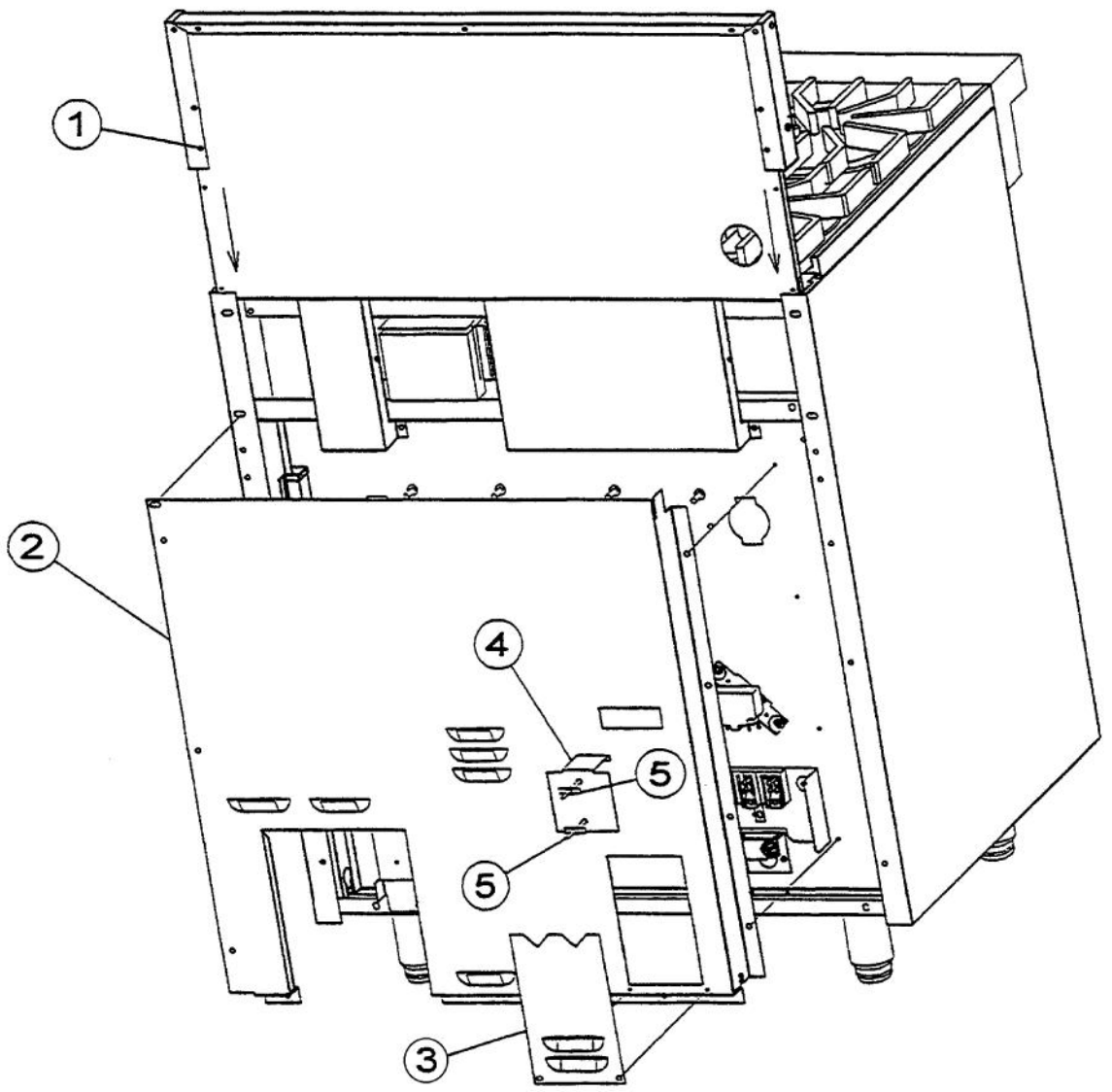
Ref #	Part Number	Qty.	Description
1	PD030005		SELF RETAINING NUT
2	B2006750		O/S BODY PANEL-LH (VDSC3074)
2	C9002598AL		BODY PNL LH 30" REPL C9001922AL
2	C9002598BK		BODY PNL LH 30" REPL C9001922BK
2	C9002598BT		O/S BODY PANEL-LH XBTX (VDSC)
2	C9002598BU		BODY PNL LH 30" REPL C9001922BU
2	C9002598CB		O/S BODY PANEL-LH XCBX (VDSC)
2	C9002598EP		O/S BODY PANEL-LH XEPX (VDSC)
2	C9002598FG		BODY PNL LH 30" REPL C9001922FG
2	C9002598GG		BODY PNL LH 30" REPL C9001922GG
2	C9002598LE		O/S BODY PANEL-LH XLEX (VDSC)
2	C9002598LN		BODY PNL LH 30" REPL C9001922LN
2	C9002598MJ		O/S BODY PANEL-LH XMJX (VDSC)
2	C9002598PL		BODY PNL LH 30" REPL C9001922PL
2	C9002598SG		O/S BODY PANEL-LH XSGX (VDSC)
2	C9002598VB		BODY PNL LH 30" REPL C9001922VB
2	C9002598WH		BODY PNL LH 30" REPL C9001922WH
3	J2002593		OVEN SIDE HEAT SINK
4	B2002597		O/S BODY PANEL - RH (SS)
4	C9002597AL		O/S BODY PANEL-RH XALX (VDSC)
4	C9002597BK		BODY PNL RH BK REPL C9001921BK
4	C9002597BT		O/S BODY PANEL-RH XBTX (VDSC)
4	C9002597BU		BODY PNL RH BU REPL C9001921BU
4	C9002597CB		O/S BODY PANEL-RH XCBX (VDSC)
4	C9002597EP		O/S BODY PANEL-RH XEPX (VDSC)
4	C9002597FG		BODY PNL RH FG REPL C9001921FG
4	C9002597GG		BODY PNL RH GG REPL C9001921GG
4	C9002597LE		O/S BODY PANEL-RH XLEX (VDSC)
4	C9002597LN		BODY PNL RH LN REPL C9001921LN
4	C9002597MJ		O/S BODY PANEL-RH XMJX (VDSC)
4	C9002597PL		BODY PNL RH PL REPL C9001921PL
4	C9002597SG		O/S BODY PANEL-RH XSGX (VDSC)
4	C9002597VB		BODY PNL RH VB REPL C9001921VB
4	C9002597WH		BODY PNL RH WH REPL C9001921WH
5	PJ010003		CONVECTION ELEMENT (VDSC) 240V
6	PJ010006		BAKE ELEMENT (VDSC-36) 240V
7	A2002451		FRONT RELAY BRKT (VDSC)
8	PD040005		SNAP BUSHING - 7/8
9	PM010026		No. 1 RELAY(DBL POLE/SNGL THROW)
10	G9102750		CONVECTION FAN COVER ASSY (VDSC36)



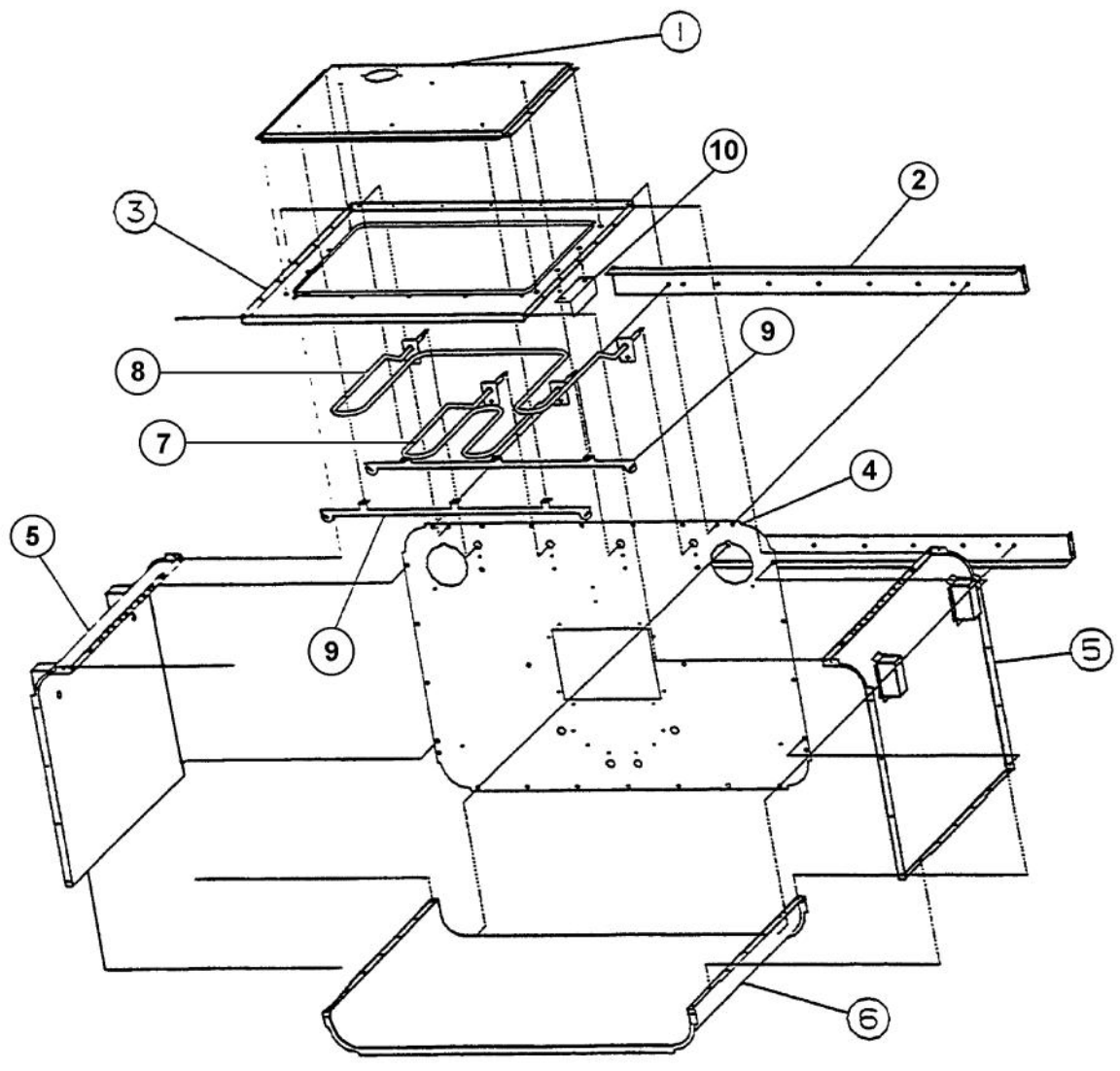
Ref #	Part Number	Qty.	Description
1	PJ030005		SWITCH (HIGH-LIMIT) VDSC
2	PJ030006		SWITCH (COOLING FAN)
3	A1002456		THERMO-DISC BRKT (VDSC)
4	PE050053		DR LATCH REPL PE050020
5	PE050009		OVEN LIGHT SOCKET - 36 BUILT-IN
6	A2002475		SIDE PANEL DIVERTER (VDSC)
7	PE050005		CONVECTION FAN ASSY
8	A2002595		CONVECTION FAN BOX (VDSC)
9	PD020003		NO.10 X 1/2 T(A) HEX WASHER HEAD
10	A1002596		CONVECTION FAN COVER (VDSC)
11	PE050035		CONVECTION FAN BLADE
12	A2002784		BTM INSUL. SHIELD (VDSC365)
13	PD030029		SELF RETAINING NUT (1/4-20)
14	A2002482		LEG BRACE (VDSC)
15	PC030007		LEG PLATE - 3/4 THREADED HOLE
16	A2002783		MAIN BTM (VDSC365)
17	PD010006		HEX HD. BOLT - 1/4-20 X 1/2
18	PC030017		4 LEG ASSY



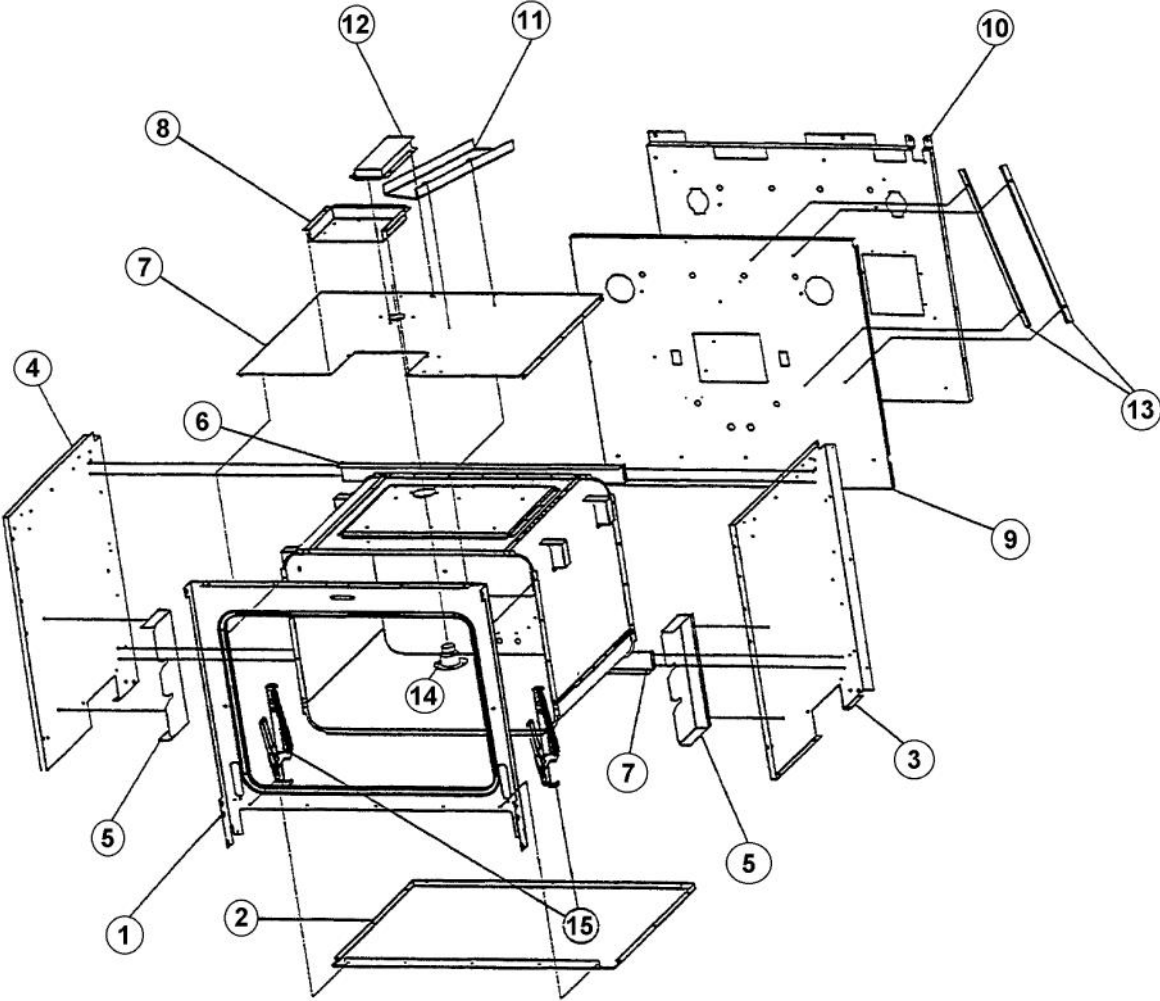
Ref #	Part Number	Qty.	Description
1	A2002790		AIR FLUE (LARGE-BACK) VDSC365)
2	A2002180		COOLING FAN HOUSING (VDSC)
3	PM010025		RELAY (DOUBLE POLE-DOUBLE THROW)
4	A2007827		RELAY MOUNTING BRACKET
5	A2001746		FAN INSUL. SHIELD - SIDE
6	A2001745		FAN INSUL. SHIELD - UPPER / LOWER
7	A1002456		THERMO-DISC BRKT (VDSC)
8	PJ030002		AUTO RESET (SELF-CLEAN) VDSC
9	A2002193		ELECTRICAL MOUNTING BRKT (VDSC)
10	A2002195		POWER CORD MOUNTING BRKT (VDSC)
11	A1002457		POWER CORD MOUNTING STRAP (VDSC)
12	PE070147		TERMINAL BLOCK
13	PE070148		SELF-CLEAN BOARD/TIMER (VDSC)
14	A2002579		WIRE SHIELD (VDSC)
15	PE050026		COOLING FAN (VDSC)
16	A2000210		WIRE CHANNEL
17	PD030033		GROMMET NUT-ROUND HD. NO.8 X .500DIA.
18	G5007606		PRE-HEAT BOARD KIT (RANGE)
			(BEFORE 03/04/03)
	PE070308		PRE-HEAT BOARD
			(AFTER 03/04/03)
NI	PE070321		RANGE PREHEAT HARNESS



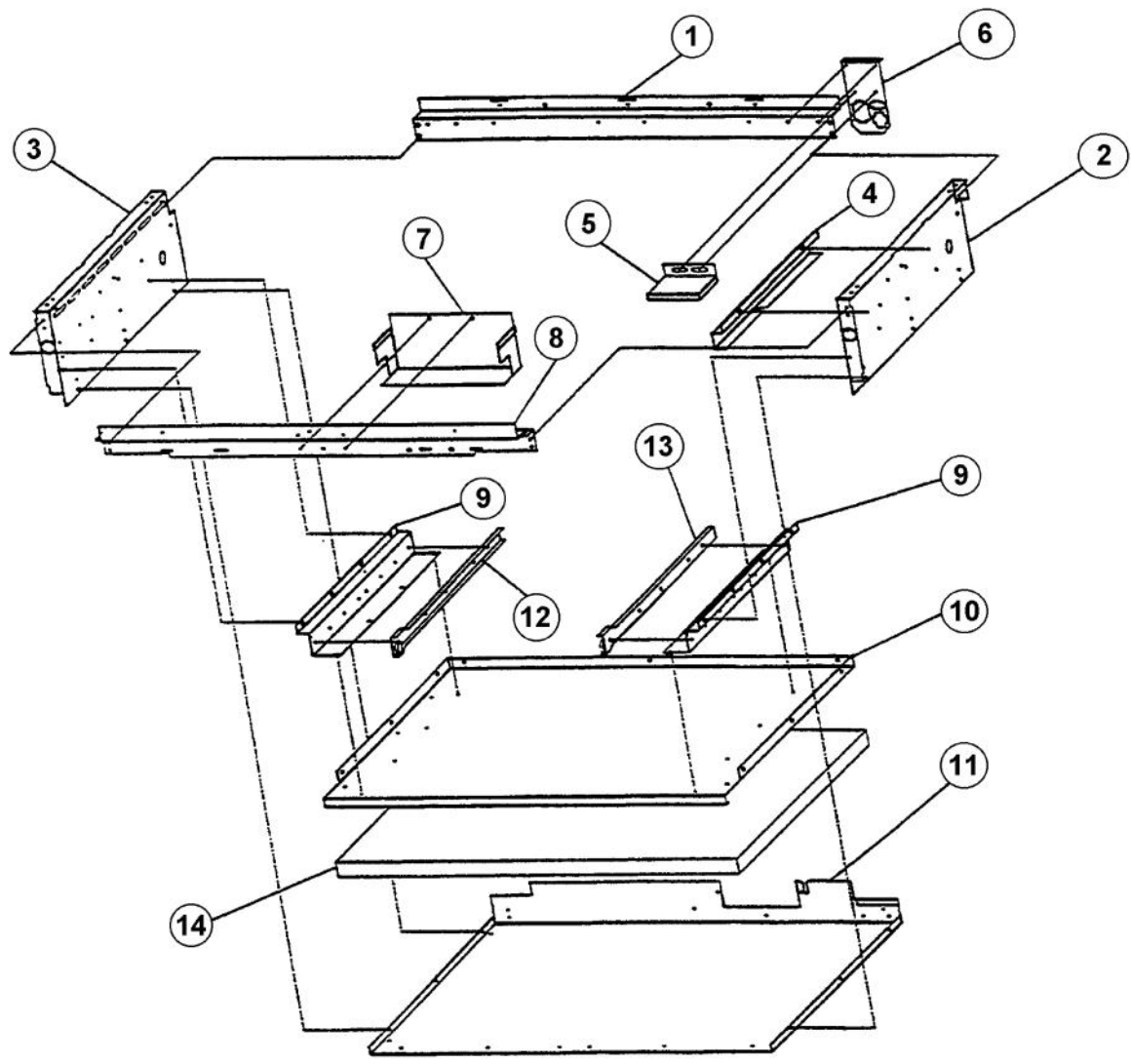
Ref #	Part Number	Qty.	Description
1	SALES ITEM		WATER FILTER
2	A2004295		LOWER BACK COVER (VDSC365)
3	A2002454		BACK COVER ACCESS DOOR
4	A2002654		ANTI-TIP DEVICE (VDSC)
5	PD010018		TOGGLE BOLT (3/16 X 2)
NI	A2004297		UPPER BACK COVER (VDSC305)



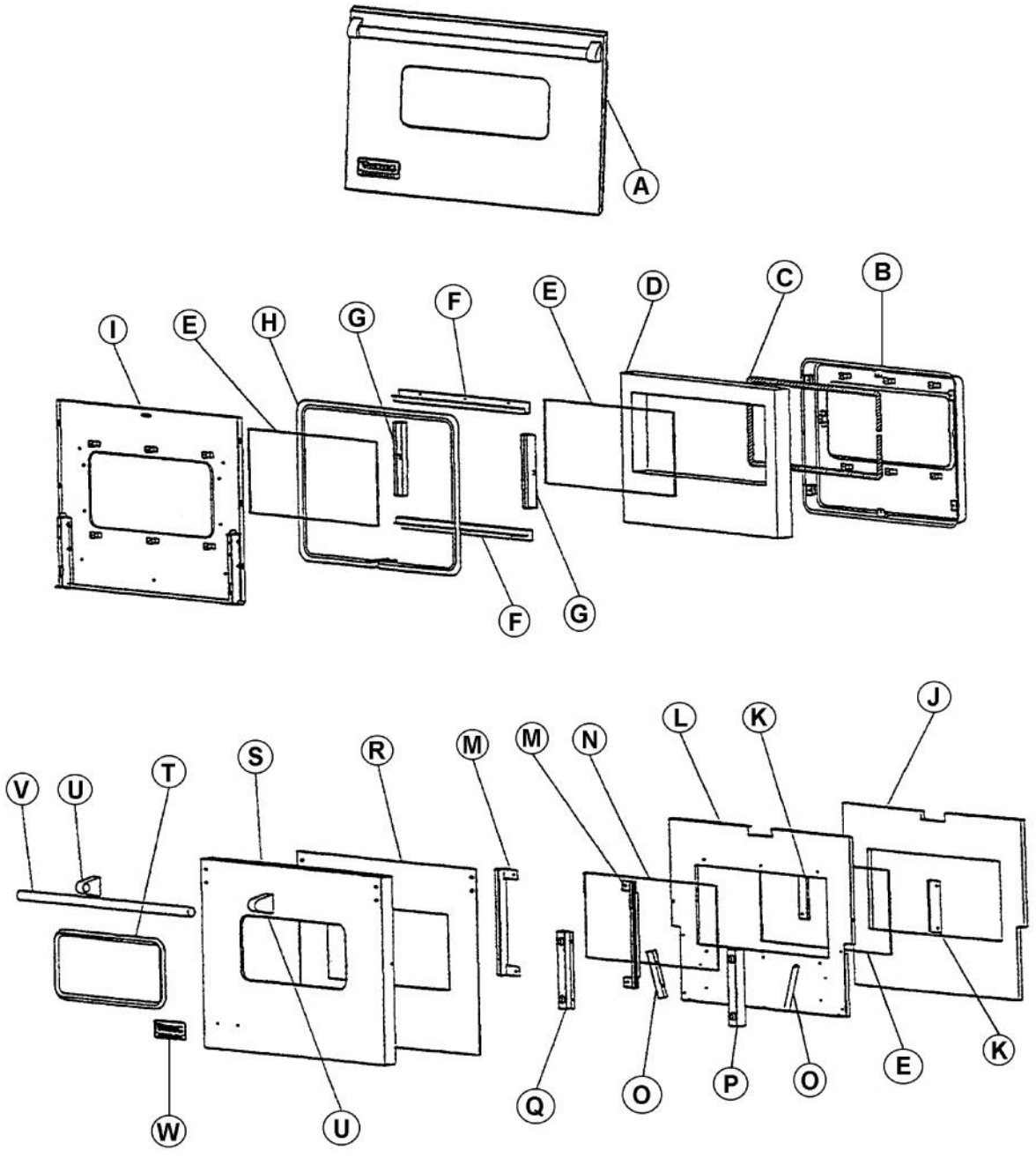
Ref #	Part Number	Qty.	Description
1	B2002167		BROILER TOP (VDSC)
2	A2002789		REAR OVEN SUPT (VDSC365)
3	G9102665		OVEN TOP LINER ASSY (VDSC36)
4	E9102742		OVEN BACK (VDSC36)
5	G9102736		OVEN SIDE ASSY (VDSC)
6	E9102152		OVEN BTM (VDSC)
7	PJ010001		BROIL ELEMENT 240V
8	PJ010002		BROIL ELEMENT(MAXI)-SIDE (VDSC)240V
9	B2002185		BROIL ELEMENT BRKT (VDSC)
NI	PD020003		NO.10 X 1/2 T(A) HEX WASHER HEAD
NI	PD020048		NO.10 X 1/2 TEK 410 SS SCREW
10	B2002489		THERMAL BULB SHIELD (VDSC)



Ref #	Part Number	Qty.	Description
1	G9102744		OVEN FRONT FRAME ASSY (VDSC36)
2	A2002785		OVEN BTM.INSUL. RETAINER (VDSC365)
3	A2002155		OVEN SIDE INSUL.RETAINER-RH(VDSC)
4	A2002156		OVEN SIDE INSUL.RETAINER-LH(VDSC)
5	A2002183		HINGE INSULATION COVER (VDSC)
6	A2002789		REAR OVEN SUPT (VDSC365)
7	A2002791		OVEN TOP INSUL. RETAINER (VDSC365)
8	A2002168		DOOR LATCH BRKT (VDSC)
9	A2002786		OVEN BACK INSUL. RETAINER (VDSC365)
10	A2002787		O/S BACK (VDSC365)
11	A2002450		LATCH COOLING DUCT (VDSC)
12	A2002479		SMOKE ELIMINATOR VENT (VDSC)
13	A2002477		AIR WASH ANGLE (VDSC)
14	PM010014		SMOKE ELIMINATOR (VDSC)
15	PC020013		OVEN DOOR HINGE



Ref #	Part Number	Qty.	Description
1	A2002382		REAR BURNER SUPT (VGSS36)
2	A2002490		BURNER BOX SIDE RH (VDSC)
3	A2002491		BURNER BOX SIDE LH (VDSC)
4	A2000210		WIRE CHANNEL
5	A2000667		SHIELD - OUTLET VRTR
6	A1002492		PLUG BRKT
7	A2002323		CTRL PAN ELECT. SHIELD (VDSC)
7	A2001629		THERMOSTAT COVER (VGRC485/365)
8	A2001105		FRONT SUPT (36)
9	A2001160		DRIP TRAY GUIDE BRKT (VGRT)
10	A2002793		INSULATION PANEL (VDSC-36)
11	A2002792		BURNER BOX BTM (VDSC-36)
12	PK000007		DRIP TRAY GUIDE - LH (VGRT)
13	PK000008		DRIP TRAY GUIDE - RH
14	PB070034		INSULATION-TRS-10 1 X 20 X 3'



Ref #	Part Number	Qty.	Description
A	G3202805AL		DOOR SUB-ASSY-XALX (VDSC36)
A	G3202805ALBR		DOOR SUB-ASSY-XALXXBRX (VDSC36)
A	G3202805BK		DOOR SUB-ASSY-XBKX (VDSC36)
A	G3202805BKBR		DOOR SUB-ASSY-XBKXXBRX (VDSC36)
A	G3202805BT		DOOR SUB-ASSY-XBTX (VDSC36)
A	G3202805BTBR		DOOR SUB-ASSY-XBTXXBRX (VDSC36)
A	G3202805BU		DOOR SUB-ASSY-XBUX (VDSC36)
A	G3202805BUBR		DOOR SUB-ASSY-XBUXXXBRX (VDSC36)
A	G3202805CB		DOOR SUB-ASSY-XCBX (VDSC36)
A	G3202805CBBR		DOOR SUB-ASSY-XCBXXBR (VDSC36)
A	G3202805EP		DOOR SUB-ASSY- XEPX (VDSC36)
A	G3202805EPBR		DOOR SUB-ASSY- XEPXXBRX (VDSC36)
A	G3202805FG		DOOR SUB-ASSY- XFGX (VDSC36)
A	G3202805FGBR		DOOR SUB-ASSY- XFGXXBRX (VDSC36)
A	G3202805GG		DOOR SUB-ASSY-XGGX (VDSC36)
A	G3202805GGBR		DOOR SUB-ASSY-XGGXXBRX (VDSC36)
A	G3202805LE		DOOR SUB-ASSY- XLEX (VDSC36)
A	G3202805LEBR		DOOR SUB-ASSY- XLEXXXBRX (VDSC36)
A	G3202805LN		DOOR SUB-ASSY-XLNX (VDSC36)
A	G3202805LNBR		DOOR SUB-ASSY-XLNXXXBRX (VDSC36)
A	G3202805MJ		DOOR SUB-ASSY- XMJX (VDSC36)
A	G3202805MJBR		DOOR SUB-ASSY- XMJXXBRX (VDSC36)
A	G3202805PL		DOOR SUB-ASSY-XPLX (VDSC36)
A	G3202805PLBR		DOOR SUB-ASSY-XPLXXBRX (VDSC36)
A	G3202805SG		DOOR SUB-ASSY- XSGX (VDSC36)
A	G3202805SGBR		DOOR SUB-ASSY- XSGXXBRX (VDSC36)
A	G3202805SS		DOOR SUB-ASSY-XSSX (VDSC36)
A	G3202805SSBR		DOOR SUB-ASSY-XSSXXBRX (VDSC36)
A	G3202805VB		DOOR SUB-ASSY-XVBX (VDSC36)
A	G3202805VBBR		DOOR SUB-ASSY- XVBXXBRX (VDSC36)
A	G3202805WH		DOOR SUB-ASSY-XWHX (VDSC36)
A	G3202805WHBR		DOOR SUB-ASSY-XWHXXBRX (VDSC36)
B	G50010121		VDSC365 DR LINER SVC-KIT
C	PB070040		FIBERGLASS ROPE
D	PB070024		SEAL, TRIPLE LIP - DISPOSAL 201469
E	PE060039		GLASS-HEAT TREATED (HB2) VDSC
F	C9002178		WINDOW LINER - TOP / BOTTOM
G	C9002179		WINDOW LINER - SIDE
H	PB070041		SUB TO 000623-000 - DOOR GASKET(3/8DIA.) (VDSC)
I	G50010121		VDSC365 DR LINER SVC-KIT
J	PB070034		INSULATION-TRS-10 1 X 20 X 3'
K	A2002189		DOOR GLASS STANDOFF (VDSC)
L	A2002800		DOOR INSULATION RETAINER (VDSC36)
M	A2002367		DOOR GLASS BRKT
N	PE060030		GLASS-OUTER DOOR BK SCREENED,TEMP
O	A2002497		DOOR GUIDE ANGLE VDSC
P	A2002498		HINGE POCKET COVER RH
Q	A2002499		HINGE POCKET COVER LH
R	J1002799		OVEN DR HEAT SINK (VDSC36)
S	B2002798		O/S DOOR PANEL XSSX (VDSC36)
S	C9002798AL		O/S DOOR PANEL-XALX (VDSC36)
S	C9002798BK		O/S DOOR PANEL-XBKX (VDSC36)
S	C9002798BT		O/S DOOR PANEL-XBTX (VDSC36)
S	C9002798BU		O/S DOOR PANEL-XBUX (VDSC36)
S	C9002798CB		O/S DOOR PANEL-CBX (VDSC36)
S	C9002798EP		O/S DOOR PANEL-XEPX (VDSC36)
S	C9002798FG		O/S DOOR PANEL-XFGX (VDSC36)
S	C9002798GG		O/S DOOR PANEL-XGGX (VDSC36)
S	C9002798LE		O/S DOOR PANEL-XLEX (VDSC36)
S	C9002798LN		O/S DOOR PANEL-XLNX (VDSC36)

Ref #	Part Number	Qty.	Description
S	C9002798LN		O/S DOOR PANEL-XLNX (VDSC36)
S	C9002798MJ		O/S DOOR PANEL_XMJX (VDSC36)
S	C9002798PL		O/S DOOR PANEL-XPLX (VDSC36)
S	C9002798SG		O/S DOOR PANEL-XSGX (VDSC36)
S	C9002798VB		O/S DOOR PANEL-XVBX (VDSC36)
S	C9002798WH		O/S DOOR PANEL-XWHX (VDSC36)
T	PE060031		J-MOLD (LARGE WINDOW)
T	PE060045		J-MOLD (LARGE WINDOW) XBRX
U	PE030001		BRACKET, DOOR, HANDLE
U	PE030001PVD		END CAP DOOR HANDLE XBR
V	PE030006		DOOR HANDLE - 36 (VGRC)
V	PE030013		DOOR HANDLE - BR
W	PE010030		LOGO, 6, PRO, BK
W	PE010031		LOGO 6 (VGRC) XBK/WHX
W	PE010068		LOGO, 6, PRO, BK/BR
W	PE010076		LOGO 6 (VGRC) XBR/WHX