

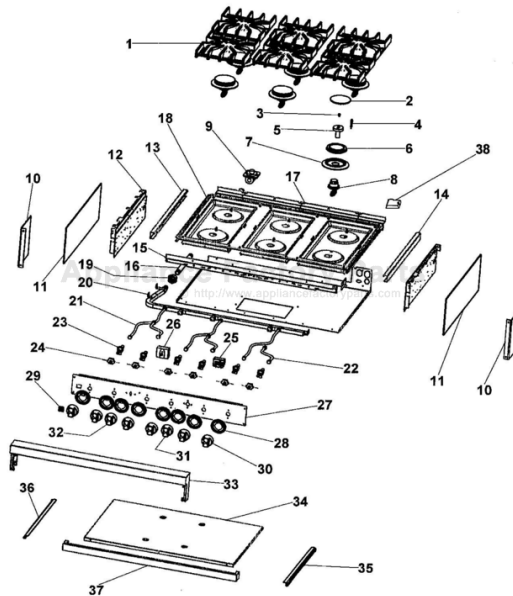
This Owner's Manual is provided and hosted by [Appliance Factory Parts](#).



VIKING VDSC367_1 Owner's Manual

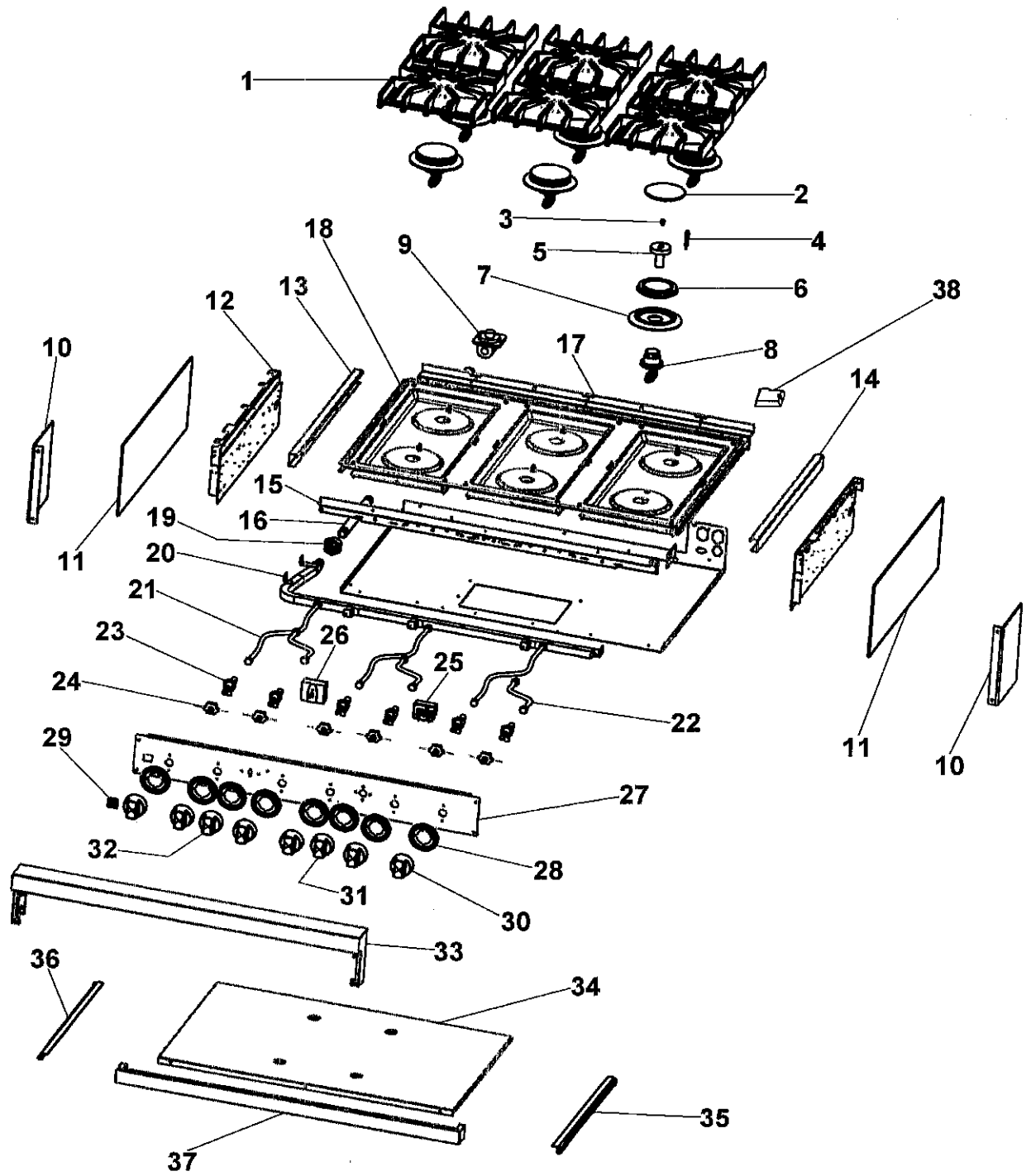
[Shop genuine replacement parts for VIKING
VDSC367_1](#)

VDSC367 BEFORE 09-02-06 : 001 - BURNER BOX ASSY [1/12]



[Find Your VIKING Range Hoods Parts - Select From 411 Models](#)

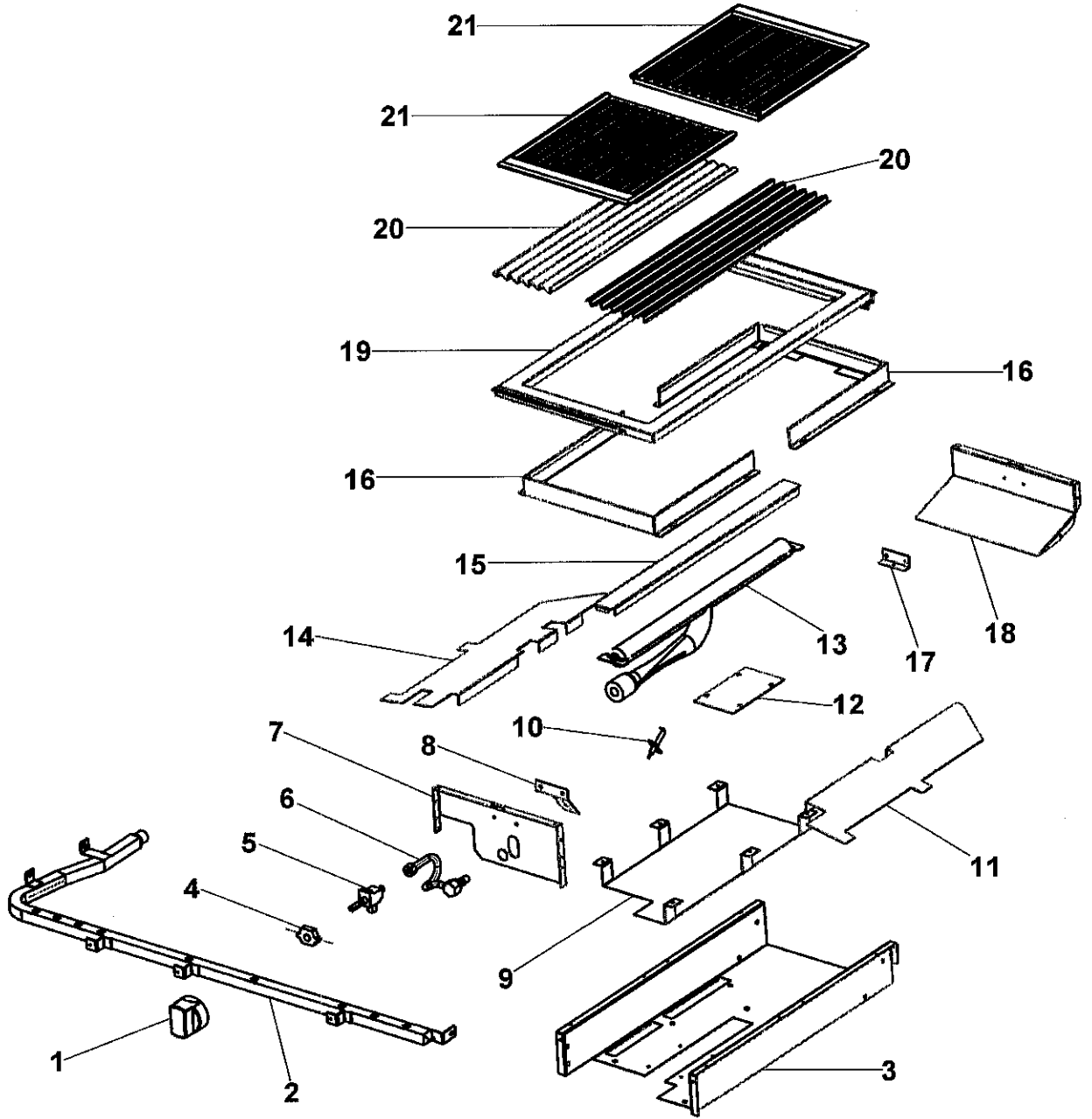
----- Manual continues below -----



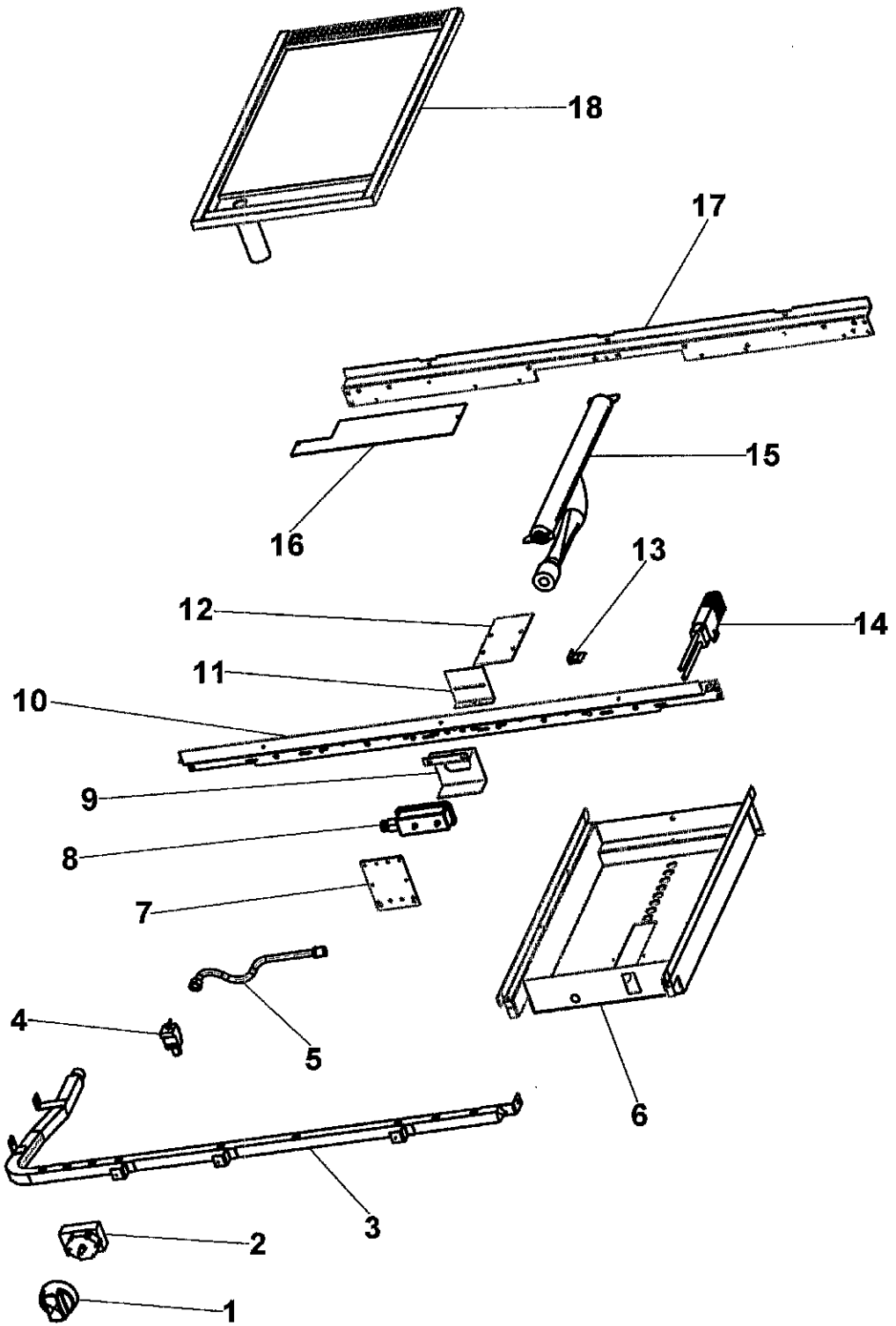
Ref #	Part Number	Qty.	Description
1	PA060054		SEALED GRATE XBKX
	PA060062		SEALED GRATE GRAY
2	PA080045		BURNER CAP - BK
	PA080086		D BURNER CAP XMATTE GRAYX
3	PB040194		SEALED RANGE ORIFICE (NAT)
	PB040217		L.P. ORIFICE
4	PB040264		GLAZED ELECTRODE REPLACED BY PB050081
5	PA010100		VENTURI D (VDSC3074B)
6	PB050063		BURNER HEAD
7	PB050062		BURNER BASE
8	PA080075		BODY BURNER D (VDSC3074BSS)
9	PA070001		PRESSURE REGULATOR (NAT.)
10	J2002593		OVEN SIDE HEAT SINK
11	PB040170		BAKE IGNITION ELECTRODE
12	A2006748		BURNER BOX SIDE LH (VDSC3074B)
13	B2006724		SEALED TOPSIDE TRIM (BEFORE 9/25/03)
13	C9306725BR		SEALED TOPSIDE TRIM LH BRASS (BEFORE 9/25/03)
13	B2007868		IC SEALED SIDE TRIM (AFTER 9/25/03)
13	C9307868BR		IC SEALED SIDE TRIM XBRX (AFTER 9/25/03)
14	B2006724		SEALED TOPSIDE TRIM (BEFORE 9/25/03)
14	C9306725BR		SEALED TOPSIDE TRIM LH BRASS (BEFORE 9/25/03)
14	B2007868		IC SEALED SIDE TRIM (AFTER 9/25/03)
14	C9307868BR		IC SEALED SIDE TRIM XBRX (AFTER 9/25/03)
15	A2001105		FRONT SUPT (36)
16	PB020162		1/2 NPT STEEL PIPE-10 1/8
17	A2002382		REAR BURNER SUPT (VGSS36)
18	G3209546		36 TOP ASSY. VDSC3676B (BEFORE 9/25/03)
18	G3209546AL		MAIN TOP ASSY. (6B) - AL (BEFORE 8/5/03) (BEFORE 9/25/03)
18	G3209546BT		MAIN TOP ASSY. (6B) - BT (BEFORE 8/5/03) (BEFORE 9/25/03)
18	G3209546CB		MAIN TOP ASSY. (6B) - CB (BEFORE 8/5/03) (BEFORE 9/25/03)
18	G3209546EP		MAIN TOP ASSY. (6B) - EP (BEFORE 8/5/03) (BEFORE 9/25/03)
18	G3209546FG		MAIN TOP ASSY. (6B) - FG (BEFORE 8/5/03) (BEFORE 9/25/03)
18	G3209546GG		MAIN TOP ASSY. (6B) - GG (BEFORE 8/5/03) (BEFORE 9/25/03)
18	G3209546LE		MAIN TOP ASSY. (6B) - LE (BEFORE 8/5/03) (BEFORE 9/25/03)
18	G3209546MJ		MAIN TOP ASSY. (6B) - MJ (BEFORE 8/5/03) (BEFORE 9/25/03)
18	G3209546SG		MAIN TOP ASSY. (6B) - SG (BEFORE 8/5/03) (BEFORE 9/25/03)
18	G3209546VB		MAIN TOP ASSY. (6B) - VB (BEFORE 8/5/03) (BEFORE 9/25/03)
18	G3209546WH		36 TOP ASSY (6B) (BEFORE 9/25/03)
18	E9108439AL		MAIN TOP ASSY. (6B) - AL (AFTER 8/5/03) (AFTER 9/25/03)

Ref #	Part Number	Qty.	Description
18	E9108439BK		(AFTER 9/25/03) MAIN TOP (VGRT3626B) XBKX
18	E9108439BT		(AFTER 9/25/03) MAIN TOP ASSY. (6B) - BT (AFTER 8/5/03)
18	E9108439CB		(AFTER 9/25/03) MAIN TOP ASSY. (6B) - CB (AFTER 8/5/03)
18	E9108439EP		(AFTER 9/25/03) MAIN TOP ASSY. (6B) - EP (AFTER 8/5/03)
18	E9108439FG		(AFTER 9/25/03) MAIN TOP ASSY. (6B) - FG (AFTER 8/5/03)
18	E9108439GG		(AFTER 9/25/03) MAIN TOP ASSY. (6B) - GG (AFTER 8/5/03)
18	E9108439LE		(AFTER 9/25/03) MAIN TOP (VGRT3626B) XLEX
18	E9108439MJ		(AFTER 9/25/03) MAIN TOP ASSY. (6B) - MJ (AFTER 8/5/03)
18	E9108439SG		(AFTER 9/25/03) MAIN TOP ASSY. (6B) - SG (AFTER 8/5/03)
18	E9108439VB		(AFTER 9/25/03) MAIN TOP ASSY. (6B) - VB (AFTER 8/5/03)
18	E9108439WH		(AFTER 9/25/03) MAIN TOP (VGRT3626B) XWHX
18	G3209547		(BEFORE 9/25/03) 36 TOP ASSY (4G & 4Q)
18	G3209547AL		(BEFORE 9/25/03) MAIN TOP ASSY. (4G/4Q) - AL (BEFORE 8/5/03)
18	G3209547BT		(BEFORE 9/25/03) MAIN TOP ASSY. (4G/4Q) - BT (BEFORE 8/5/03)
18	G3209547CB		(BEFORE 9/25/03) MAIN TOP ASSY. (4G/4Q) - CB (BEFORE 8/5/03)
18	G3209547EP		(BEFORE 9/25/03) MAIN TOP ASSY. (4G/4Q) - EP (BEFORE 8/5/03)
18	G3209547FG		(BEFORE 9/25/03) MAIN TOP ASSY. (4G/4Q) - FG (BEFORE 8/5/03)
18	G3209547GG		(BEFORE 9/25/03) MAIN TOP ASSY. (4G/4Q) - GG (BEFORE 8/5/03)
18	G3209547LE		(BEFORE 9/25/03) MAIN TOP ASSY. (4G/4Q) - LE (BEFORE 8/5/03)
18	G3209547MJ		(BEFORE 9/25/03) MAIN TOP ASSY. (4G/4Q) - MJ (BEFORE 8/5/03)
18	G3209547SG		(BEFORE 9/25/03) MAIN TOP ASSY. (4G/4Q) - SG (BEFORE 8/5/03)
18	G3209547VB		(BEFORE 9/25/03) MAIN TOP ASSY. (4G/4Q) - VB (BEFORE 8/5/03)
18	G3209547WH		(BEFORE 9/25/03) 36 TOP ASSY (4G & 4Q)
18	E9108438AL		(AFTER 9/25/03) MAIN TOP ASSY. (4G/4Q) - BK (AFTER 8/5/03)
18	E9108438BK		(AFTER 9/25/03) MAIN TOP (VGRT4G/Q) XBKX
18	E9108438BT		(AFTER 9/25/03) MAIN TOP ASSY. (4G/4Q) - BT (AFTER 8/5/03)
18	E9108438CB		(AFTER 9/25/03) MAIN TOP ASSY. (4G/4Q) - CB (AFTER 8/5/03)
18	E9108438EP		(AFTER 9/25/03) MAIN TOP ASSY. (4G/4Q) - EP (AFTER 8/5/03)
18	E9108438FG		(AFTER 9/25/03) MAIN TOP ASSY. (4G/4Q) - FG (AFTER 8/5/03)
18	E9108438GG		(AFTER 9/25/03) MAIN TOP ASSY. (4G/4Q) - GG (AFTER 8/5/03)

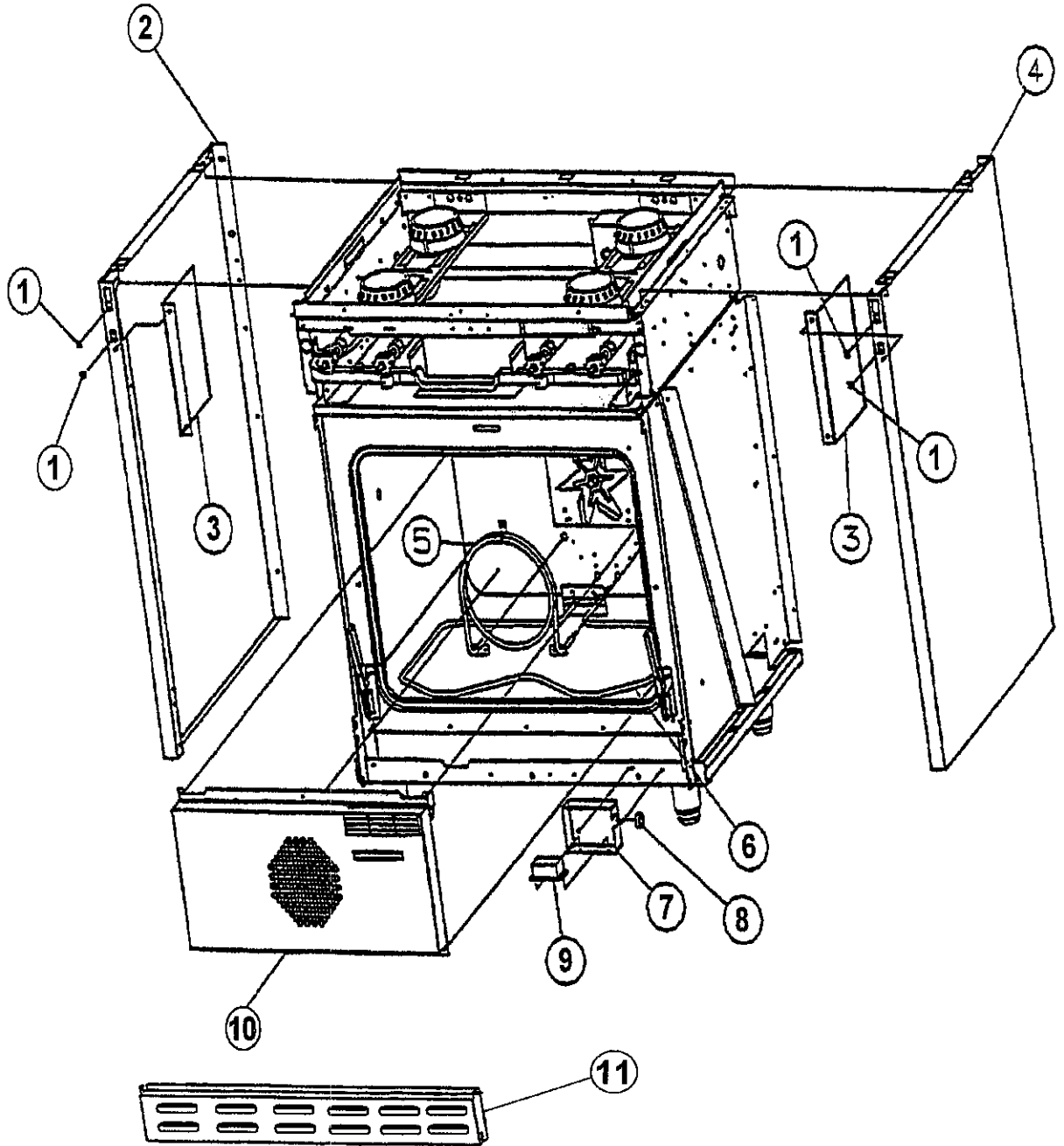
Ref #	Part Number	Qty.	Description
18	E9108438GG		MAIN TOP ASSY. (4G/4Q) - GG (AFTER 8/5/03) (AFTER 9/25/03)
18	E9108438LE		MAIN TOP ASSY. (4G/4Q) - LE (AFTER 8/5/03) (AFTER 9/25/03)
18	E9108438MJ		MAIN TOP ASSY. (4G/4Q) - MJ (AFTER 8/5/03) (AFTER 9/25/03)
18	E9108438SG		MAIN TOP ASSY. (4G/4Q) - SG (AFTER 8/5/03) (AFTER 9/25/03)
18	E9108438VB		MAIN TOP ASSY. (4G/4Q) - VB (AFTER 8/5/03) (AFTER 9/25/03)
18	E9108438WH		MAIN TOP (VGRT4G/Q) XWHX (AFTER 9/25/03)
19	PA050080		1/2" THREADED PIPE UNION
20	PA050114		MANIFOLD
21	PB020156		16" FLEX TUBING
22	PB020168		BURNER TUBING
23	G50012679		SEALED BURNER VALVE KIT
	PA010158		SUB TO 003517-000 - SEALED BURNER FLARE VALVE
24	PA020015		SPARK IGNITION SWITCH
	PA020045		IGNITOR SWITCH
25	PJ030003		THERMOSTAT (SELF-CLEAN) VDSC (BEFORE 02/02/05)
25	PJ030031		SUB TO PS500032 - UPPER THERMOSTAT (AFTER 02/02/05)
26	PJ030001		SELECTOR SWITCH (8-POSITION) VDSC
27	B9203173		CTRL PAN (VDSC305-6B) XSLK SCRX
27	B9203171		CTRL PAN (VDSC365 4G) XSLK SCRX
27	B9203172		CTRL PAN (VDSC365-4Q) XSLK SCRX
28	PB010106		BEZEL - SS
28	PB010107		SUB TO PB010172 - BRASS BEZEL
29	PE050016		OVEN LIGHT SWITCH - XBKX (WES-GAR)
29	PE050017		OVEN LIGHT SWITCH - XWHX (WES-GAR)
30	PB010206		VGSC,VGRC,VGRT TOP BURNER KNOB(BK)
30	PB010207		VGSC,VGRC,VGRT TOP BURNER KNOB(WH)
31	PB010129		THERMOSTAT KNOB XBKX (VDSC)
31	PB010130		THERMOSTAT KNOB XWHX (VDSC)
32	PB010131		SELECTOR KNOB - BK
32	PB010132		SELECTOR KNOB XWHX (VDSC)
33	G3009151		36 SEALED LANDING LEDGE ASSY
34	G3009714		36 DRIP TRAY ASSY.
35	PK000010		RUNNER, DRIP TRAY - RH (VGRT)
36	PK000009		RUNNER, DRIP TRAY - LH (VGRT)
37	G3002582		DRIP TRAY HANDLE - 4G/4Q (SS)
37	G9302583PVD		DRIP TRAY HANDLE - BR (4G / 4Q ONLY)
37	B3009593		36 FALSE TRAY HANDLE
37	C9309593PVD		36 FALSE TRAY HANDLE XPVDX
38	PA020048		INVENSYS 0+6 RE-IGNITION SPARK MODULE
38	PE070458		6 POINTS SPARK MODULE ASSY
38	PA020047		INVENSYS 0+4 RE-IGNITION SPARK MODULE
38	PA020037		SINGLE MODULE 120V
NI	G50013882		VDSC367-6B BURNER SUPPORT SERVICE KIT
NI	G50013883		VDSC367-4Q BURNER SUPPORT SERVICE KIT
NI	G50013884		VDSC367-4G BURNER SUPPORT SERVICE KIT



Ref #	Part Number	Qty.	Description
1	PA010039		TOP GRILL KNOBxBKX (VGRC) (N/STYLE
	PA010040		TOP GRILL KNOBXWHX (VGRC) (N/STYLE
2	PA050114		MANIFOLD
3	A2001852		GRILL BOX - (VGRC605)
4	PA020015		SPARK IGNITION SWITCH
5	PA010030		GRILL VALVE-(VGRT)
6	PB020025		TUBING-GRILL (REVISED) REP PB020021
7	A2001631		GRILL BOX FRONT (VGRC)
8	A2001633		GRILL FRONT SPARKER BRKT (VGRC)
9	A2001863		GRILL BTM SHIELD (VGRC605)
10	PA020014		SPARK IGNITOR
11	B2001857		GRILL HEAT DEFLECTOR-RH (VGRC60)
12	A1001862		GRILL VENTURI COVER (VGRC605)
13	PB050077		GRILL BURNER
14	B2001856		GRILL HEAT DEFLECTOR-LH (VGRC60)
15	B2009866		SEALED FLAME SHIELD
16	A2009809		SHIELD GRATE BRACKET
17	A2001132		REAR GRILL BURNER BRKT (VGRT)
18	A2001855		GRILL BACK - (VGRC605)
19	G9109811		GRILL SUPT ASSY XBKX
20	E9109810		FLAVOR GRID
21	PA060058		GRILL GRATE - MATT XBKX RE PA060028
	PA060059		GRILL GRATE -MATT XGRX RE PA060029



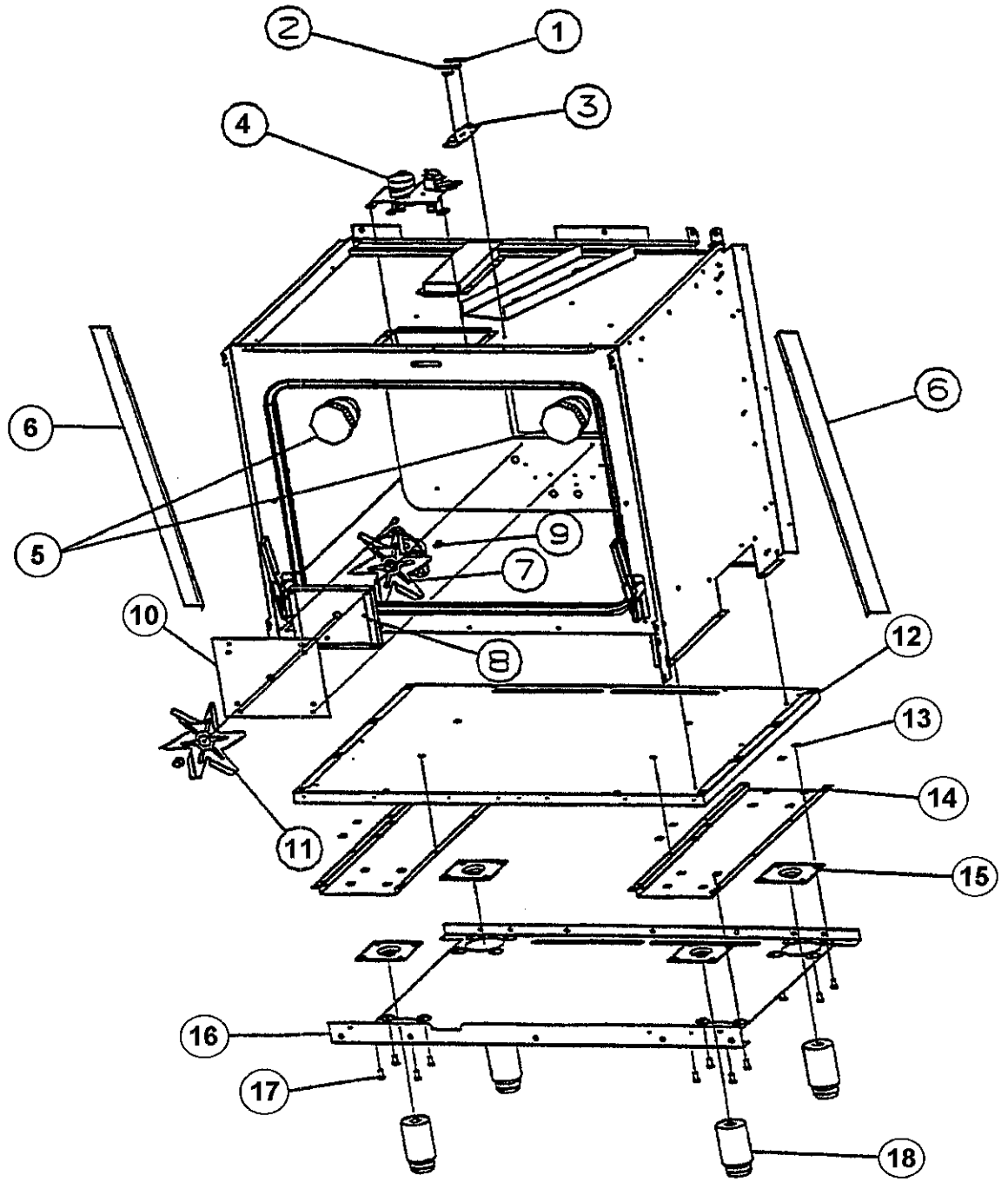
Ref #	Part Number	Qty.	Description
1	PB010103		GRIDDLE KNOB N/S XBKX
	PB010104		GRIDDLE KNOB N/S XWHX
2	PB010035		THERMOSTAT BAKE
3	PA050114		MANIFOLD
4	PB030002		SUB TO 003862-000 - SHUTOFF VALVE
	PB030007		SHUT OFF VALVE
5	PB020007		GRIDDLE TUBING
6	A2009512		SEALED GRIDDLE BOX
7	A1001198		THERMAL VALVE BRKT
8	PB010004		SINGLE SAFETY VALVE (NAT. GRIDDLE)
9	A2001630		GRIDDLE VALVE COVER (VGRC)
10	A2001105		FRONT SUPT (36)
11	A2009580		GRIDDLE BURNER BRACKET
12	A1001636		GRIDDLE VENTURI COVER
13	A2001300		GRIDDLE IGNITOR BRKT
14	PB040001		IGNITOR - (ALL RANGES)
15	PB050074		SEALED GRIDDLE BURNER
16	A1009565		HEAT SHIELD PLATE
17	A2001909		REAR BURNER SUPT-36(VGRT/RC)
18	G3009156		GRIDDLE ASSEMBLY



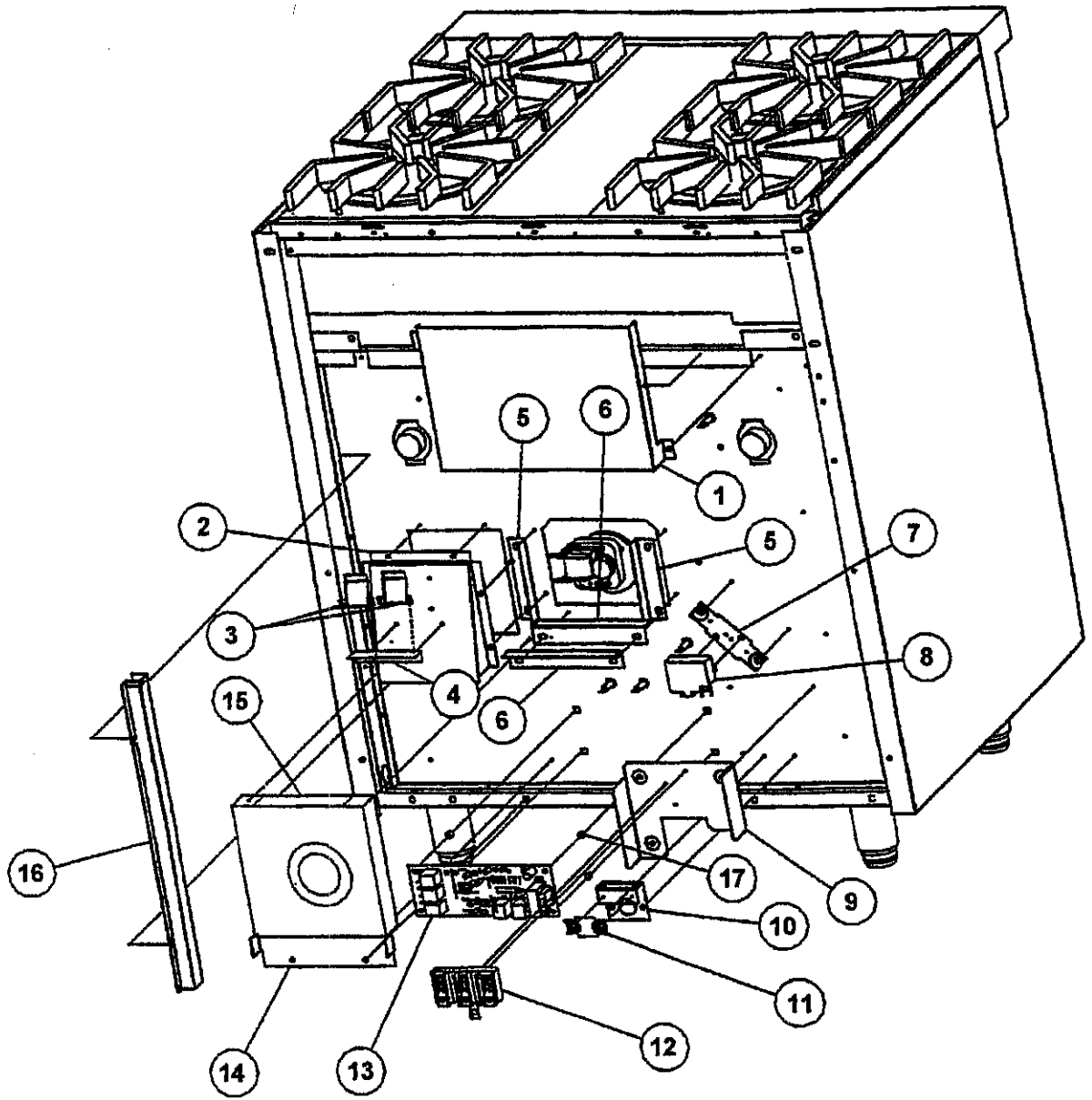
Ref #	Part Number	Qty.	Description
1	PD030005		SELF RETAINING NUT
2	B2006750		O/S BODY PANEL-LH (VDSC3074) (BEFORE 9/25/03)
2	C9006750AL		O/S BODY PANEL-LH XALX (VDSC) (BEFORE 9/25/03)
2	C9006750BK		O/S BODY PANEL-LH XBKX (VDSC) (BEFORE 9/25/03)
2	C9006750BT		O/S BODY PANEL-LH XBTX (VDSC) (BEFORE 9/25/03)
2	C9006750BU		O/S BODY PANEL-LH XBUX (VDSC) (BEFORE 9/25/03)
2	C9006750CB		O/S BODY PANEL-LH XCBX (VDSC) (BEFORE 9/25/03)
2	C9006750EP		O/S BODY PANEL-LH XEPX (VDSC) (BEFORE 9/25/03)
2	C9006750FG		O/S BODY PANEL-LH XFGX (VDSC) (BEFORE 9/25/03)
2	C9006750GG		O/S BODY PANEL-LH XGGX (VDSC) (BEFORE 9/25/03)
2	C9006750LE		O/S BODY PANEL-LH XLEX (VDSC) (BEFORE 9/25/03)
2	C9006750MJ		O/S BODY PANEL-LH XMJX (VDSC) (BEFORE 9/25/03)
2	C9006750SG		O/S BODY PANEL-LH XSGX (VDSC) (BEFORE 9/25/03)
2	C9006750VB		O/S BODY PANEL-LH XVBX (VDSC) (BEFORE 9/25/03)
2	C9006750WH		O/S BODY PANEL-LH XWHX (VDSC) (BEFORE 9/25/03)
2	B2007870		IC SEALED LH SIDE PANEL (AFTER 9/25/03)
2	C9007870AL		IC SEALED LH SIDE PANEL XALX (AFTER 9/25/03)
2	C9007870BK		IC SEALED LH SIDE PANEL XBKX (AFTER 9/25/03)
2	C9007870BT		IC SEALED LH SIDE PANEL XBTX (AFTER 9/25/03)
2	C9007870BU		IC SEALED LH SIDE PANEL XBUX (AFTER 9/25/03)
2	C9007870CB		IC SEALED LH SIDE PANEL XCBX (AFTER 9/25/03)
2	C9007870EP		IC SEALED LH SIDE PANEL XEPX (AFTER 9/25/03)
	C9007870FG		IC SEALED LH SIDE PANEL XFGX (AFTER 9/25/03)
	C9007870GG		IC SEALED LH SIDE PANEL XGGX (AFTER 9/25/03)
	C9007870LE		IC SEALED LH SIDE PANEL XLEX (AFTER 9/25/03)
	C9007870MJ		IC SEALED LH SIDE PANEL XMJX (AFTER 9/25/03)
	C9007870SG		IC SEALED LH SIDE PANEL XSGX (AFTER 9/25/03)
	C9007870VB		IC SEALED LH SIDE PANEL XVBX (AFTER 9/25/03)
	C9007870WH		IC SEALED LH SIDE PANEL XWHX (AFTER 9/25/03)
3	J2002593		OVEN SIDE HEAT SINK
4	B2006749		O/S BODY PANEL-RH (VDSC3074B) (BEFORE 9/25/03)

Ref #	Part Number	Qty.	Description
4	C9006749AL		(BEFORE 9/25/03) O/S BODY PANEL-RH XALX (VDSC)
4	C9006749BK		(BEFORE 9/25/03) O/S BODY PANEL-RH XBKX (VDSC)
4	C9006749BT		(BEFORE 9/25/03) O/S BODY PANEL-RH XBTX (VDSC)
4	C9006749BU		(BEFORE 9/25/03) O/S BODY PANEL-RH XBUX (VDSC)
4	C9006749CB		(BEFORE 9/25/03) O/S BODY PANEL-RH XCBX (VDSC)
4	C9006749EP		(BEFORE 9/25/03) O/S BODY PANEL-RH XEPX (VDSC)
4	C9006749FG		(BEFORE 9/25/03) O/S BODY PANEL-RH XFGX (VDSC)
4	C9006749GG		(BEFORE 9/25/03) O/S BODY PANEL-RH XGGX (VDSC)
4	C9006749LE		(BEFORE 9/25/03) O/S BODY PANEL-RH XLEX (VDSC)
4	C9006749MJ		(BEFORE 9/25/03) O/S BODY PANEL-RH XMJX (VDSC)
4	C9006749SG		(BEFORE 9/25/03) O/S BODY PANEL-RH XSGX (VDSC)
4	C9006749VB		(BEFORE 9/25/03) O/S BODY PANEL-RH XVBX (VDSC)
4	C9006749WH		(BEFORE 9/25/03) O/S BODY PANEL-RH XWHX (VDSC)
4	B2007869		(BEFORE 9/25/03) IC SEALED RH SIDE PANEL
4	C9007869AL		(AFTER 9/25/03) IC SEALED RH SIDE PANEL XALX
4	C9007869BK		(AFTER 9/25/03) IC SEALED RH SIDE PANEL XBKX
4	C9007869BT		(AFTER 9/25/03) IC SEALED RH SIDE PANEL XBTX
4	C9007869BU		(AFTER 9/25/03) SEALED RH SIDE PANEL XBUX
4	C9007869CB		(AFTER 9/25/03) IC SEALED RH SIDE PANEL XCBX
4	C9007869EP		(AFTER 9/25/03) IC SEALED RH SIDE PANEL XEPX
4	C9007869FG		(AFTER 9/25/03) IC SEALED RH SIDE PANEL XFGX
4	C9007869GG		(AFTER 9/25/03) IC SEALED RH SIDE PANEL XGGX
4	C9007869LE		(AFTER 9/25/03) IC SEALED RH SIDE PANEL XLEX
4	C9007869MJ		(AFTER 9/25/03) IC SEALED RH SIDE PANEL XMJX
4	C9007869SG		(AFTER 9/25/03) IC SEALED RH SIDE PANEL XSGX
4	C9007869VB		(AFTER 9/25/03) IC SEALED RH SIDE PANEL XVBX
4	C9007869WH		(AFTER 9/25/03) IC SEALED RH SIDE PANEL XWHX
5	PJ010003		CONVECTION ELEMENT (VDSC) 240V
6	PJ010006		BAKE ELEMENT (VDSC-36) 240V
7	A2002451		FRONT RELAY BRKT (VDSC)
8	PD040005		SNAP BUSHING - 7/8
9	PM010026		No.1 RELAY(DBL POLE/SNGL THROW)

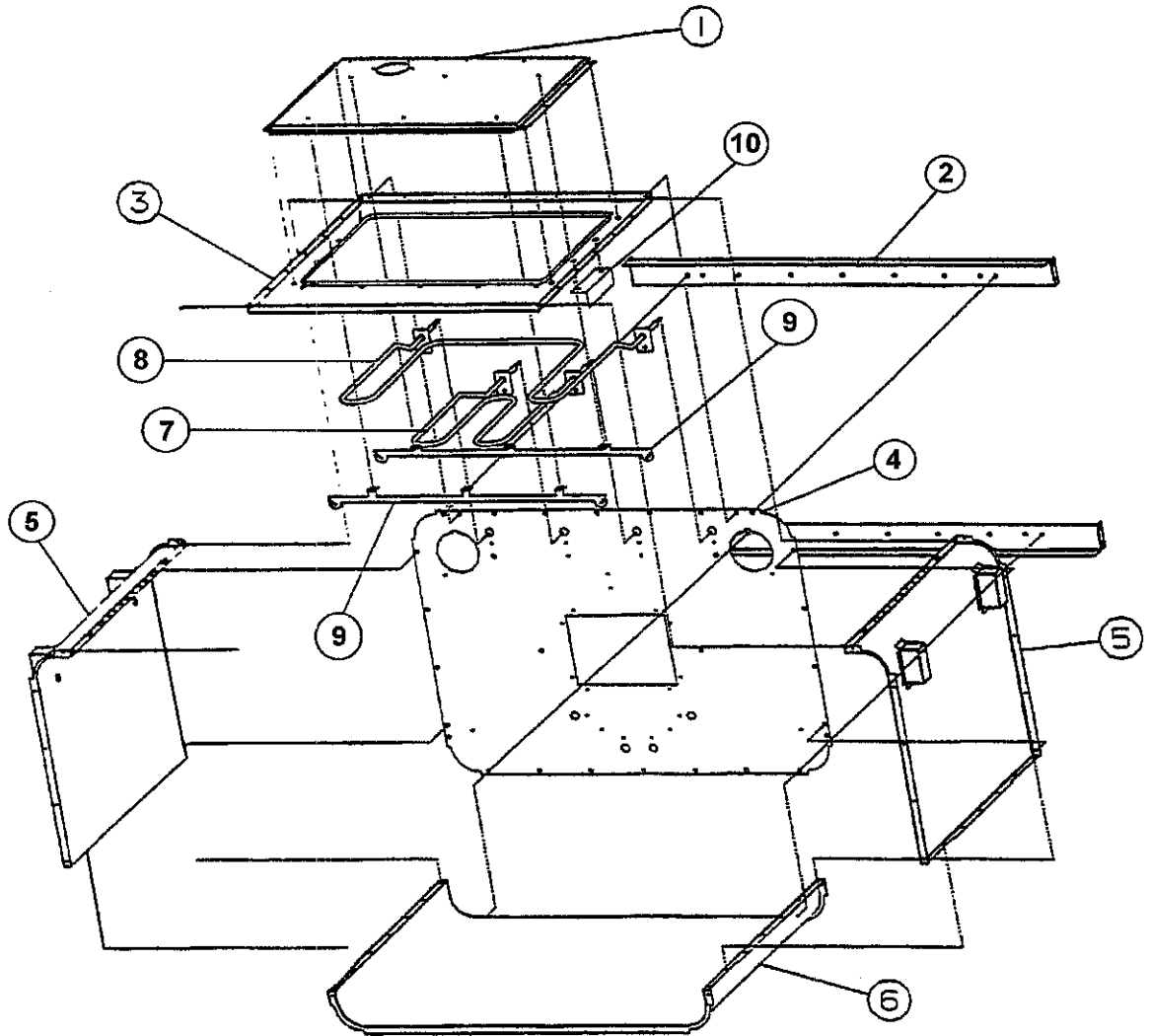
Ref #	Part Number	Qty.	Description
9	PM010026		No.1 RELAY(DBL POLE/SNGL THROW)
10	G9102750		CONVECTION FAN COVER ASSY (VDSC36)
11	B2001504		LWR ACC PNL - RPLCS B2001977
11	C9001504AL		LWR ACC PNL - RPLCS C9001977AL
11	C9001504BK		LWR ACC PNL - RPLCS C9001977BK
11	C9001504BT		LWR ACC PNL - RPLCS C9001977BT
11	C9001504BU		LWR ACC PNL - RPLCS C9001977BU
11	C9001504CB		LWR ACC PNL - RPCLS C9001977CB
11	C9001504EP		LWR ACC PNL - RPLCS C9001977EP
11	C9001504FG		LWR ACC PNL - RPLCS C9001977FG
11	C9001504GG		LWR ACC PNL - RPLCS C9001977GG
11	C9001504LE		LWR ACC PNL - RPLCS C9001977LE
11	C9001504LN		LWR ACC PNL - RPLCS C9001977LN
11	C9001504MJ		LWR ACC PNL - RPLCS C9001977MJ
11	C9001504PL		LWR ACC PNL - RPLCS C9001977PL
11	C9001504SG		LWR ACC PNL - RPCLS C9001977SG
11	C9001504VB		LWR ACC PNL - RPLCS C9001977VB
11	C9001504WH		LWR ACC PNL - RPLCS C9001977WH
NI	019501-000	1	36 CURB BASE KIT



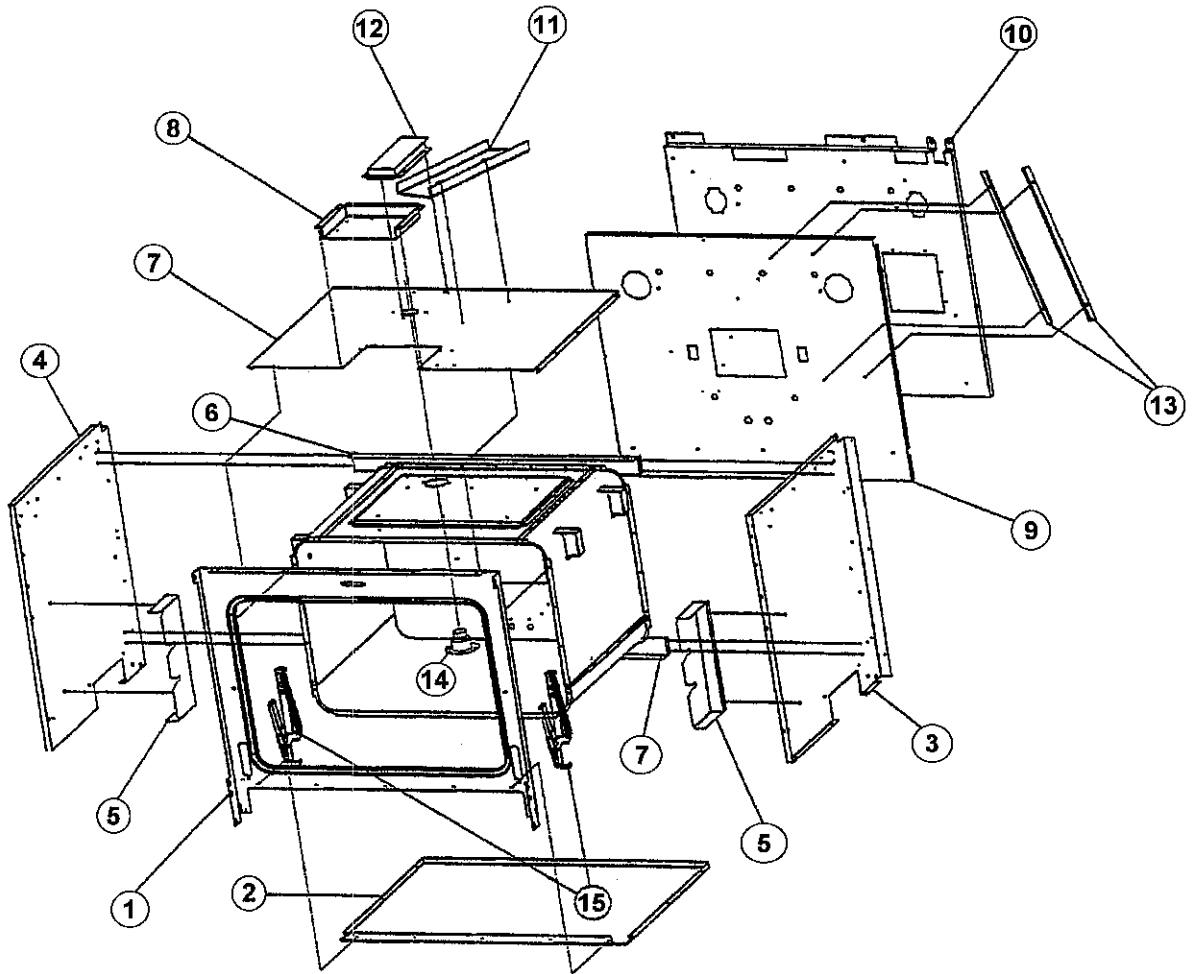
Ref #	Part Number	Qty.	Description
1	PJ030005		SWITCH (HIGH-LIMIT) VDSC
2	PJ030006		SWITCH (COOLING FAN)
3	A1002456		THERMO-DISC BRKT (VDSC)
4	PE050053		DR LATCH REPL PE050020
5	PE050009		OVEN LIGHT SOCKET - 36 BUILT-IN
6	A2002475		SIDE PANEL DIVERTER (VDSC)
7	PE050005		CONVECTION FAN ASSY
8	A2002595		CONVECTION FAN BOX (VDSC)
9	PD020003		NO.10 X 1/2 T(A) HEX WASHER HEAD
10	A1002596		CONVECTION FAN COVER (VDSC)
11	PE050035		CONVECTION FAN BLADE
12	A2002784		BTM INSUL. SHIELD (VDSC365)
13	PD030029		SELF RETAINING NUT (1/4-20)
14	A2002482		LEG BRACE (VDSC)
15	PC030007		LEG PLATE - 3/4 THREADED HOLE
16	A2002783		MAIN BTM (VDSC365)
17	PD010006		HEX HD. BOLT - 1/4-20 X 1/2
18	PC030017		4 LEG ASSY



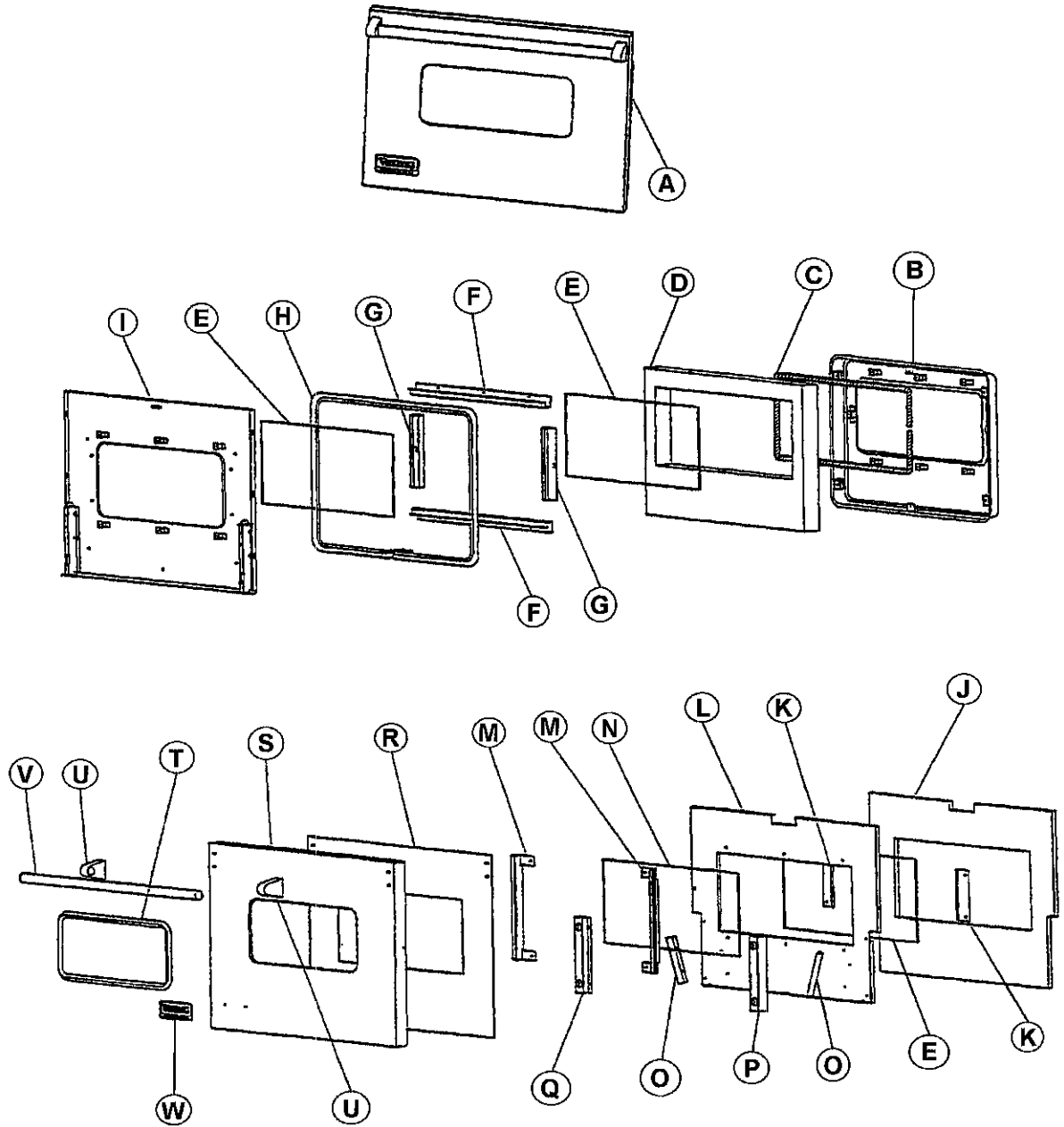
Ref #	Part Number	Qty.	Description
1	A2002790		AIR FLUE (LARGE-BACK) VDSC365)
2	A2002180		COOLING FAN HOUSING (VDSC)
3	PM010025		RELAY (DOUBLE POLE-DOUBLE THROW)
4	A2007827		RELAY MOUNTING BRACKET
5	A2001746		FAN INSUL. SHIELD - SIDE
6	A2001745		FAN INSUL. SHIELD - UPPER / LOWER
7	A1002456		THERMO-DISC BRKT (VDSC)
8	PJ030002		AUTO RESET (SELF-CLEAN) VDSC
9	A2002193		ELECTRICAL MOUNTING BRKT (VDSC)
10	A2002195		POWER CORD MOUNTING BRKT (VDSC)
11	A1002457		POWER CORD MOUNTING STRAP (VDSC)
12	PE070147		TERMINAL BLOCK
13	PE070148		SELF-CLEAN BOARD/TIMER (VDSC)
14	A2002579		WIRE SHIELD (VDSC)
15	PE050026		COOLING FAN (VDSC)
16	A2000210		WIRE CHANNEL
17	PD030033		GROMMET NUT-ROUND HD. NO.8 X .500DIA.
NI	PE070308		PRE-HEAT BOARD



Ref #	Part Number	Qty.	Description
1	B2002167		BROILER TOP (VDSC)
2	A2002789		REAR OVEN SUPT (VDSC365)
3	G9102665		OVEN TOP LINER ASSY (VDSC36)
4	E9102742		OVEN BACK (VDSC36)
5	G9102736		OVEN SIDE ASSY (VDSC)
6	E9102152		OVEN BTM (VDSC)
7	PJ010001		BROIL ELEMENT 240V
8	PJ010002		BROIL ELEMENT(MAXI)-SIDE (VDSC)240V
9	B2002185		BROIL ELEMENT BRKT (VDSC)
NI	PD020003		NO.10 X 1/2 T(A) HEX WASHER HEAD
NI	PD020048		NO.10 X 1/2 TEK 410 SS SCREW
10	B2002489		THERMAL BULB SHIELD (VDSC)



Ref #	Part Number	Qty.	Description
1	G9102744		OVEN FRONT FRAME ASSY (VDSC36)
2	A2002785		OVEN BTM.INSUL. RETAINER (VDSC365)
3	A2002155		OVEN SIDE INSUL.RETAINER-RH(VDSC)
4	A2002156		OVEN SIDE INSUL.RETAINER-LH(VDSC)
5	A2002183		HINGE INSULATION COVER (VDSC)
6	A2002789		REAR OVEN SUPT (VDSC365)
7	A2002791		OVEN TOP INSUL. RETAINER (VDSC365)
8	A2002168		DOOR LATCH BRKT (VDSC)
9	A2002786		OVEN BACK INSUL. RETAINER (VDSC365)
10	A2002787		O/S BACK (VDSC365)
11	A2002450		LATCH COOLING DUCT (VDSC)
12	A2002479		SMOKE ELIMINATOR VENT (VDSC)
13	A2002477		AIR WASH ANGLE (VDSC)
14	PM010014		SMOKE ELIMINATOR (VDSC)
15	PC020013		OVEN DOOR HINGE



Ref #	Part Number	Qty.	Description
A	G3202805AL		DOOR SUB-ASSY-XALX (VDSC36)
	G3202805ALBR		DOOR SUB-ASSY-XALXXBRX (VDSC36)
	G3202805BK		DOOR SUB-ASSY-XBKX (VDSC36)
	G3202805BKBR		DOOR SUB-ASSY-XBKXXBRX (VDSC36)
	G3202805BT		DOOR SUB-ASSY-XBTX (VDSC36)
	G3202805BTBR		DOOR SUB-ASSY-XBTXXBRX (VDSC36)
	G3202805BU		DOOR SUB-ASSY-XBUX (VDSC36)
	G3202805BUBR		DOOR SUB-ASSY-XBUXXXBRX (VDSC36)
	G3202805CB		DOOR SUB-ASSY-XCBX (VDSC36)
	G3202805CBBR		DOOR SUB-ASSY-XCBXXBR (VDSC36)
	G3202805EP		DOOR SUB-ASSY-XEPX (VDSC36)
	G3202805EPBR		DOOR SUB-ASSY-XEPXXBRX (VDSC36)
	G3202805FG		DOOR SUB-ASSY-XFGX (VDSC36)
	G3202805FGBR		DOOR SUB-ASSY-XFGXXBRX (VDSC36)
	G3202805GG		DOOR SUB-ASSY-XGGX (VDSC36)
	G3202805GGBR		DOOR SUB-ASSY-XGGXXBRX (VDSC36)
	G3202805LE		DOOR SUB-ASSY-XLEX (VDSC36)
	G3202805LEBR		DOOR SUB-ASSY-XLEXXXBRX (VDSC36)
	G3202805MJ		DOOR SUB-ASSY-XMJX (VDSC36)
	G3202805MJBR		DOOR SUB-ASSY-XMJXXBRX (VDSC36)
	G3202805SG		DOOR SUB-ASSY-XSGX (VDSC36)
	G3202805SGBR		DOOR SUB-ASSY-XSGXXBRX (VDSC36)
	G3202805SS		DOOR SUB-ASSY-XSSX (VDSC36)
	G3202805SSBR		DOOR SUB-ASSY-XSSXXBRX (VDSC36)
	G3202805VB		DOOR SUB-ASSY-XVBX (VDSC36)
	G3202805VBBR		DOOR SUB-ASSY-XVBXXBRX (VDSC36)
	G3202805WH		DOOR SUB-ASSY-XWHX (VDSC36)
	G3202805WHBR		DOOR SUB-ASSY-XWHXXBRX (VDSC36)
B	G9102746		DOOR PLUG ASSY (VDSC36)
C	PB070040		FIBERGLASS ROPE
D	PB070024		SEAL, TRIPLE LIP - DISPOSAL 201469
E	PE060039		GLASS-HEAT TREATED (HB2) VDSC
F	C9002178		WINDOW LINER - TOP / BOTTOM
G	C9002179		WINDOW LINER - SIDE
H	PB070041		SUB TO 000623-000 - DOOR GASKET(3/8DIA.) (VDSC)
I	G9102748		DOOR LINER ASSY (VDSC36)
J	PB070034		INSULATION-TRS-10 1 X 20 X 3'
K	A2002189		DOOR GLASS STANDOFF (VDSC)
L	A2002800		DOOR INSULATION RETAINER (VDSC36)
M	A2002367		DOOR GLASS BRKT
N	PE060030		GLASS-OUTER DOOR BK SCREENED,TEMP
O	A2002497		DOOR GUIDE ANGLE VDSC
P	A2002498		HINGE POCKET COVER RH
Q	A2002499		HINGE POCKET COVER LH
R	J1002799		OVEN DR HEAT SINK (VDSC36)
S	B2002798		O/S DOOR PANEL XSSX (VDSC36)
	C9002798AL		O/S DOOR PANEL-XALX (VDSC36)
	C9002798BK		O/S DOOR PANEL-XBKX (VDSC36)
	C9002798BT		O/S DOOR PANEL-XBTX (VDSC36)
	C9002798BU		O/S DOOR PANEL-XBUX (VDSC36)
	C9002798CB		O/S DOOR PANEL-CBX (VDSC36)
	C9002798EP		O/S DOOR PANEL-XEPX (VDSC36)
	C9002798FG		O/S DOOR PANEL-XFGX (VDSC36)
	C9002798GG		O/S DOOR PANEL-XGGX (VDSC36)
	C9002798LE		O/S DOOR PANEL-XLEX (VDSC36)
	C9002798LN		O/S DOOR PANEL-XLNX (VDSC36)
	C9002798MJ		O/S DOOR PANEL_XMJX (VDSC36)
	C9002798PL		O/S DOOR PANEL-XPLX (VDSC36)
	C9002798SG		O/S DOOR PANEL-XSGX (VDSC36)
	C9002798VB		O/S DOOR PANEL-XVBX (VDSC36)

Ref #	Part Number	Qty.	Description
	C9002798VB		O/S DOOR PANEL-XVBX (VDSC36)
	C9002798WH		O/S DOOR PANEL-XWHX (VDSC36)
T	PE060031		J-MOLD (LARGE WINDOW)
	PE060045		J-MOLD (LARGE WINDOW) XBRX
U	PE030001		BRACKET, DOOR, HANDLE
	PE030001PVD		END CAP DOOR HANDLE XBR
V	PE030006		DOOR HANDLE - 36 (VGRC)
	PE030013		DOOR HANDLE - BR
W	PE010030		LOGO, 6, PRO, BK
	PE010031		LOGO 6 (VGRC) XBK/WHX
	PE010068		LOGO 6 (VGRC) BK/BR
	PE010076		LOGO 6 (VGRC) XBR/WHX

*No Image
Available*

Ref #	Part Number	Qty.	Description
NI	PE070183	1	HARNESS-12 CIRCUIT
NI	PE070143	1	WIRE HARNESS-9/2 CIRCUIT (VDSC)
NI	PE070454	1	HARNESS 367-6B
NI	PE070452	1	SEALED P.H.B. HARNESS
NI	PE070145	1	WIRE HARNESS-6 CIRCUIT (VDSC)
NI	PE070458	1	6 POINTS SPARK MODULE ASSY
NI	G40011233	2	IGNITER WIRE ASSEMBLY - 24'''
NI	G40011256	1	SPARK IGNITER WIRE - 33
NI	G40011259	1	IGNITER WIRE - 13'''
NI	PE070717	1	IGNITOR WIRE KIT - VDSC3676B

*No Image
Available*

Ref #	Part Number	Qty.	Description
NI	PE070183	1	HARNESS-12 CIRCUIT
NI	PE070143	1	WIRE HARNESS-9/2 CIRCUIT (VDSC)
NI	PE070145	1	WIRE HARNESS-6 CIRCUIT (VDSC)
NI	G4000936	1	GROUND WIRE
NI	G4001656	3	SPARK MODULE GROUND WIRE
NI	G4001593	1	SPARK MODULE-TOP BRNR SPARKER (16)
NI	PE070452	1	SEALED P.H.B. HARNESS
NI	PE070458	1	6 POINTS SPARK MODULE ASSY
NI	G40011256	1	SPARK IGNITER WIRE - 33
NI	G4009709	1	JUMPER WIRE
NI	G4009710	1	JUMPER WIRE (1 INTO 2)
NI	G4002752	1	DRIP TRAY GROUND WIRE (VDSC)
NI	PE070719	1	IGNITOR WIRE KIT - VDSC3674Q

*No Image
Available*

Ref #	Part Number	Qty.	Description
NI	PE070183	1	HARNES-12 CIRCUIT
NI	PE070143	1	WIRE HARNES-9/2 CIRCUIT (VDSC)
NI	PE070145	1	WIRE HARNES-6 CIRCUIT (VDSC)
NI	G4000936	1	GROUND WIRE
NI	G4001656	3	SPARK MODULE GROUND WIRE
NI	G40011254	1	IGNITER WIRE ASSY 26
NI	G4001593	1	SPARK MODULE-TOP BRNR SPARKER (16)
NI	PE070452	1	SEALED P.H.B. HARNES
NI	PE070458	1	6 POINTS SPARK MODULE ASSY
NI	PE070455	1	HARNES 367-4Q
NI	G40011256	1	SPARK IGNITER WIRE - 33
NI	G4009709	1	JUMPER WIRE
NI	G4009710	1	JUMPER WIRE (1 INTO 2)
NI	G4002752	1	DRIP TRAY GROUND WIRE (VDSC)
NI	PE070719	1	IGNITOR WIRE KIT - VDSC3674Q