

This Owner's Manual is provided and hosted by [Appliance Factory Parts](#).

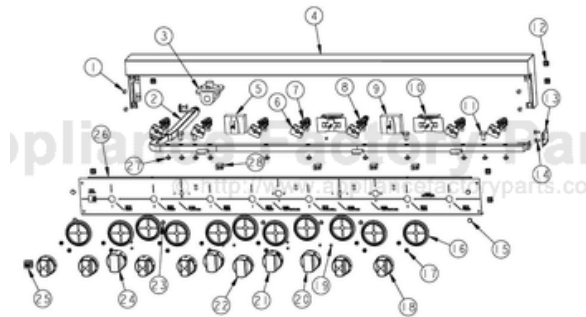


# VIKING

## VDSC485-6Q\_AFTER\_8-16-06

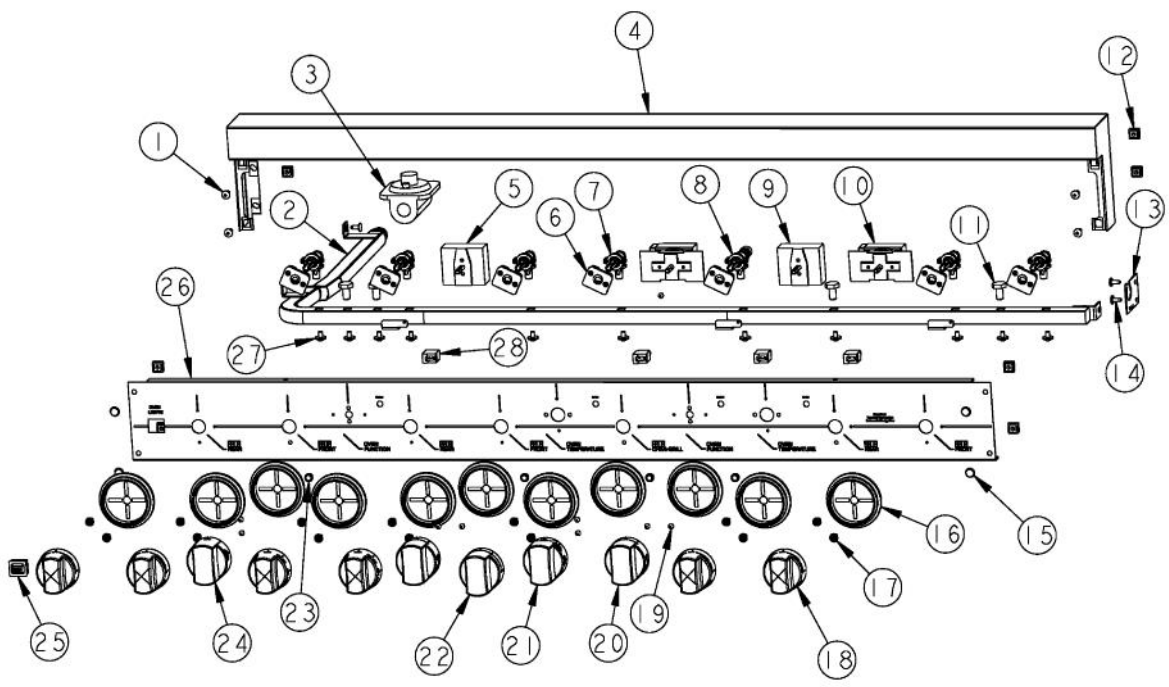
### Owner's Manual

[Shop genuine replacement parts for VIKING](#)  
[VDSC485-6Q\\_AFTER\\_8-16-06](#)

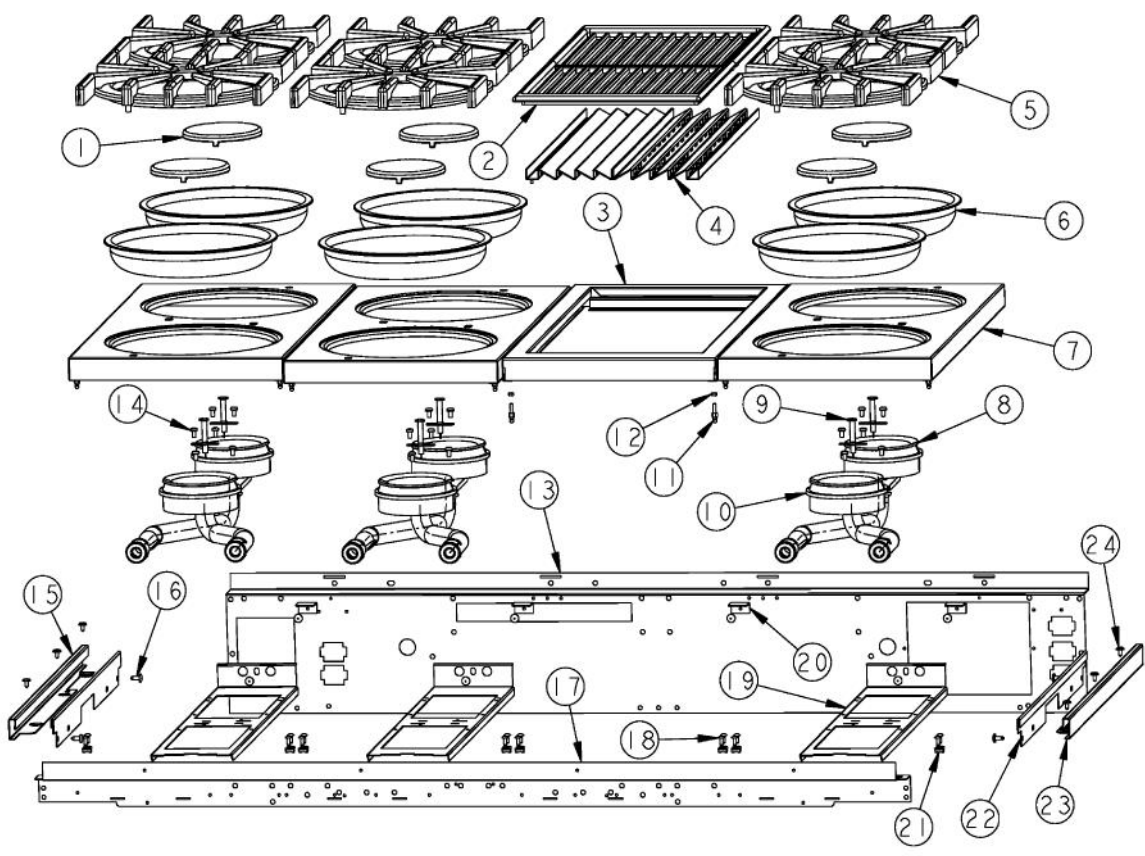


[Find Your VIKING Range Hoods Parts - Select From 411 Models](#)

----- Manual continues below -----

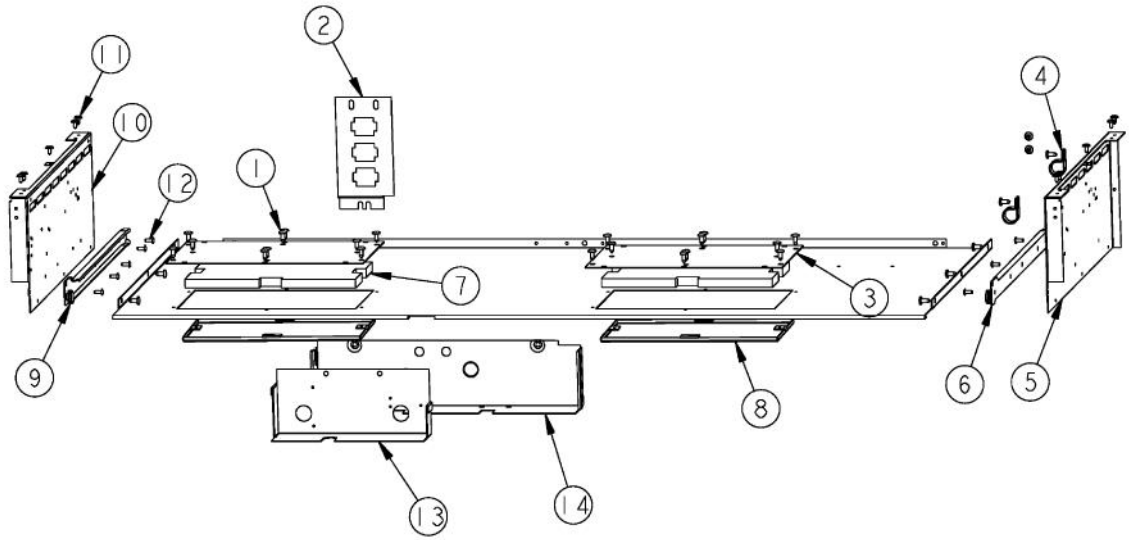


Ref #	Part Number	Qty.	Description
1	PD010003		10-24 X 1/2 PH.TR.HD.SERD.M.S.
2	PA050115		UNIVERSAL 48 MANIFOLD
3	PA070001		PRESSURE REGULATOR (NAT.)
4	G3001168		LANDING LEDGE WELD ASSY - 48
5	PJ030025		5 POS SELECTOR SWITCH
6	PA020045		IGNITOR SWITCH
7	PA010157		SUB TO 003515-000 - RANGE TOP BURNER VALVE
8	PA010159		SUB TO 003536-000 - RANGE GRILL VALVE
9	PJ030001		SELECTOR SWITCH (8-POSITION) VDSC
10	PJ030037		SUB TO PS500033 - SELF CLEAN THERMOSTAT
11	PA010012		ROPER PLUG
12	PD030005		SELF RETAINING NUT
13	A1001138		MANIFOLD BRKT
14	PD020002		10 X 1/2 PH.TR.HD.SMS.
15	PD020033		SRW-NO. 10-24X1/2T(23)PH.WFR HD (NKL)
16	PB010208		BEZEL, CHROME PLATE
	PB010209		BEZEL BRASS
17	PD020046		NO.8 X 1/2 SCREWS
18	PB010206		VGSC,VGRC,VGRT TOP BURNER KNOB(BK)
	PB010207		VGSC,VGRC,VGRT TOP BURNER KNOB(WH)
19	PD020006		NO.6-32 X 1/4 PH.PAN HD. T(F)
20	PB010129		THERMOSTAT KNOB XBKX (VDSC)
	PB010130		THERMOSTAT KNOB XWHX (VDSC)
21	PB010230		OVEN SELECT. KNOBXBKX VDSC307
	PB010231		OVEN SELECT. KNOBXWHX VDSC307
22	PA010122		VGRC/IC/RT GRILL KNOB (BK)
	PA010123		VGRC/IC/RT GRILL KNOB (WH)
23	PE050023		OVEN IND. LIGHT (LENS & BEZEL)
24	PB010139		SELECTOR KNOB-5 POS.LH XBKX (VDSC48)
	PB010140		SELECTOR KNOB-5 POS.LH XWHX (VDSC48)
25	PE050016		OVEN LIGHT SWITCH - XBKX (WES-GAR)
	PE050017		OVEN LIGHT SWITCH - XWHX (WES-GAR)
26	B92015422		VDSC487C-6Q CONTROL PANEL
27	PD010012		VALVE BOLT 1/4-20 UNC-2B 5/16 M.S.
28	PE050024		OVEN IND. LIGHT (LIGHT HOUSING)

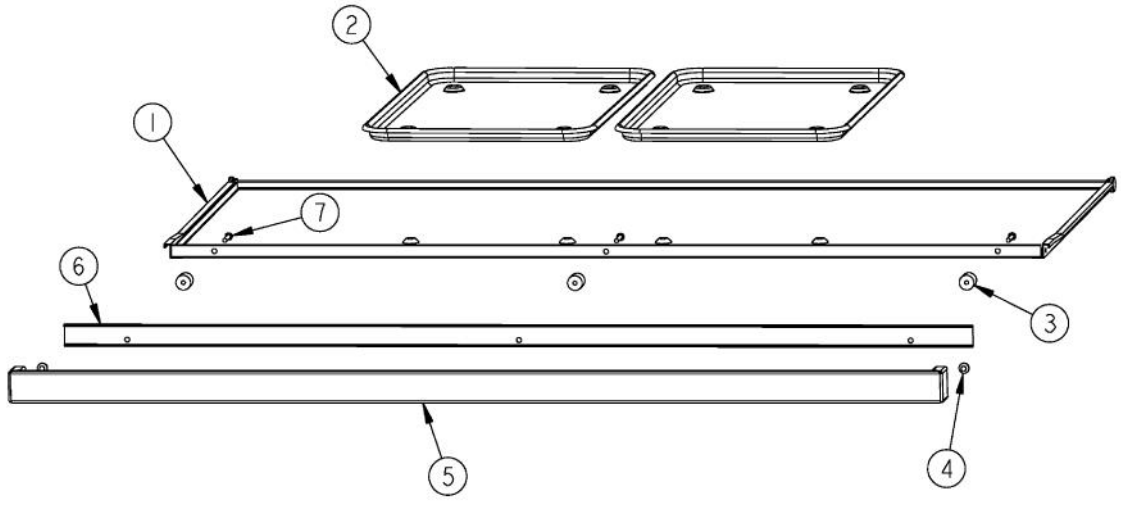


Ref #	Part Number	Qty.	Description
1	PA080015		BURNER CAP-VGRT XBKX
	PA080016		BURNER CAP-VGRT (GRAY-MATT)
2	PA060058		GRILL GRATE - MATT XBKX RE PA060028
	PA060059		GRILL GRATE -MATT XGRX RE PA060029
3	G9101182AL		GRILL GRATE SUPT (VGRT) XALX
	G9101182BK		GRILL GRATE SUPT (VGRT) XBKX
	G9101182BT		GRILL GRATE SUPT (VGRT) XBTX
	G9101182CB		GRILL GRATE SUPT (VGRT) XCBX
	G9101182EP		GRILL GRATE SUPT (VGRT) XEPX
	G9101182FG		GRILL GRATE SUPT (VGRT) XFGX
	G9101182GG		GRILL GRATE SUPPORT - GG
	G9101182LE		GRILL GRATE SUPT (VGRT) XLEX
	G9101182MJ		GRILL GRATE SUPT (VGRT) XMJX
	G9101182SG		GRILL GRATE SUPT (VGRT) XSGX
	G9101182VB		GRILL GRATE SUPT (VGRT) XVBX
	G9101182WH		GRILL GRATE SUPT (VGRT) XWHX
4	E9101130BK		GRILL SMOKE GENERATOR
5	PA060037		GRATE BK REPL PA060024 (GEN.NO.2)
	PA060038		GRAY GRATES
6	PA030002AL		BURNER BOWL - AL
	PA030002BK		BURNER BOWL (VGRT) XXBKXX
	PA030002BT		BURNER BOWL - BT
	PA030002CB		BURNER BOWL - CB
	PA030002EP		BURNER BOWL - EP
	PA030002FG		BURNER BOWL - FG
	PA030002GG		BURNER BOWLS - GG
	PA030002LE		BURNER BOWLS - LE
	PA030002MJ		BURNER BOWL (VGRT) XXMJXX
	PA030002SG		BURNER BOWL - SG
	PA030002VB		BURNER BOWL (VGRT) XXVBXX
	PA030002WH		BURNER BOWL (VGRT) XXWHXX
7	G50013584AL		BURNER GRATE SUPPORT ASSEMBLY - AL
	G50013584BK		GRATE SUPPORT SERVICE KIT (BK)
	G50013584BT		GRATE SUPPORT SERVICE KIT (BT) - NLA
	G50013584CB		BURNER GRATE SUPPORT ASSEMBLY - CB
	G50013584EP		BURNER GRATE SUPPORT ASSEMBLY - EP
	G50013584FG		BURNER GRATE SUPPORT ASSEMBLY - FG
	G50013584GG		BURNER GRATE SUPPORT ASSEMBLY - GG
	G50013584LE		BURNER GRATE SUPPORT ASSEMBLY - LE
	G50013584MJ		BURNER GRATE SUPPORT ASSEMBLY - MJ
	G50013584SG		BURNER GRATE SUPPORT ASSEMBLY - SG
	G50013584VB		BURNER GRATE SUPPORT ASSEMBLY - VB
	G50013584WH		GRATE SUPPORT SERVICE KIT (WH)
8	PA080036		TOP BURNER REAR REPL PA080008
9	PA02028		SPARK IGNITER
10	PA080037		TOP BURNER FRONT REPL PA080007
11	PD010017		BALL STUD (VGRT)
12	PD030012		6-32 HEX NUT
13	A20015407		OUTSIDE BACK TOP
14	PD020004		10X3/8PH.HD.TYPE 25 REPL PD040125
15	B2002346		SIDE TRIM - LH (VGSS)
	C9302346BR		SIDE TRIM - LH (VGSS) XBRX
16	PD020002		10 X 1/2 PH.TR.HD.SMS.
17	A2001104		FRONT SUPT (48)
18	PC040010		POP RIVET
19	A2001112		BURNER SUPT (VGRT)
20	A2001147		GRATE SUPT ANGLE (VGRT)
21	PD010016		BALL STUD FASTEN
22	A2002343		GRATE SUPT HEAT SHIELD (VGR)
23	B2002345		SIDE TRIM - RH (VGSS)

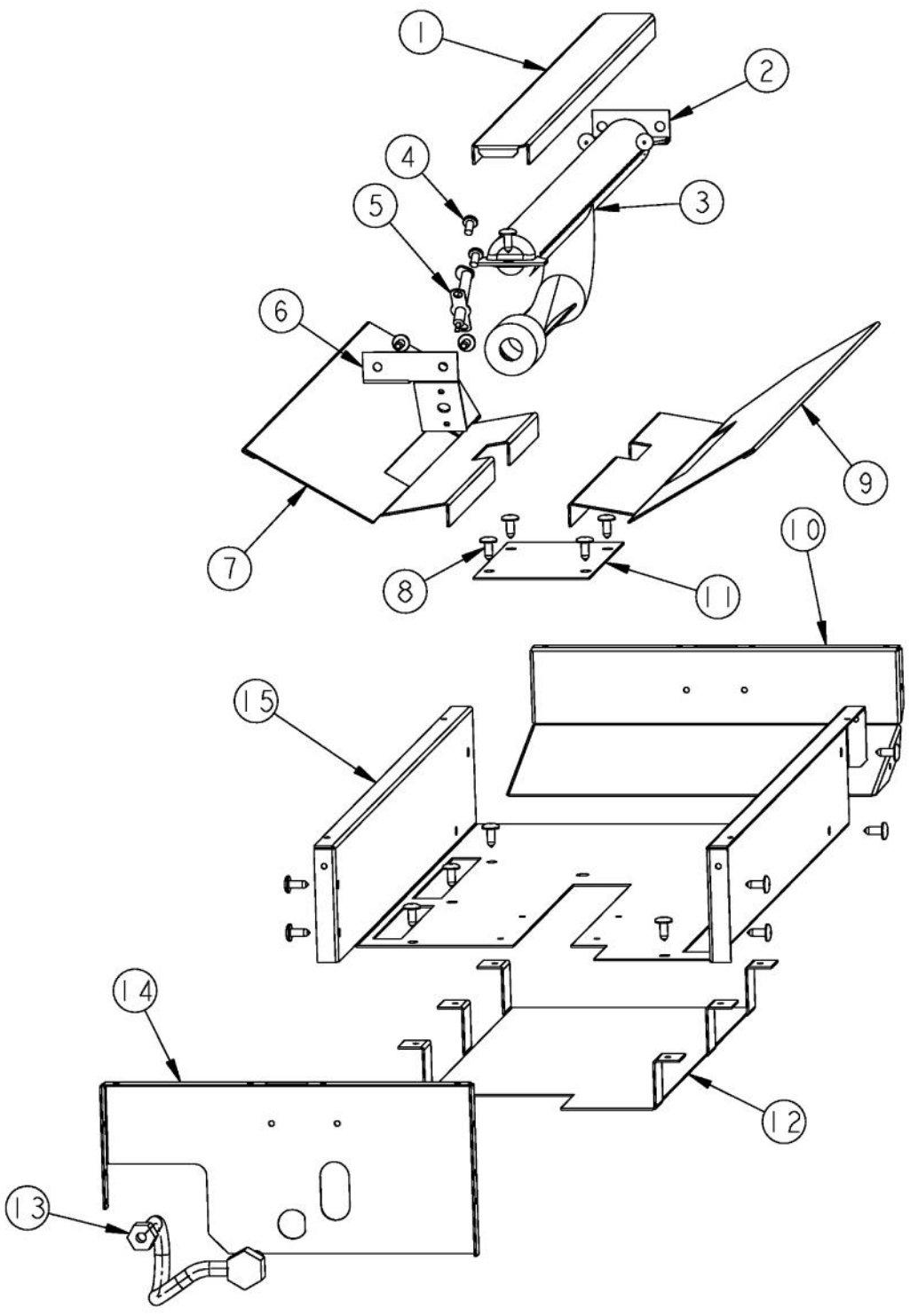
Ref #	Part Number	Qty.	Description
23	B2002345 C9302345BR		SIDE TRIM - RH (VGSS) SIDE TRIM - RH (VGSS) XBRX
24	PD020032		SRW-8(A)X3/8PH.WFR HD 7/16DIAXNICL



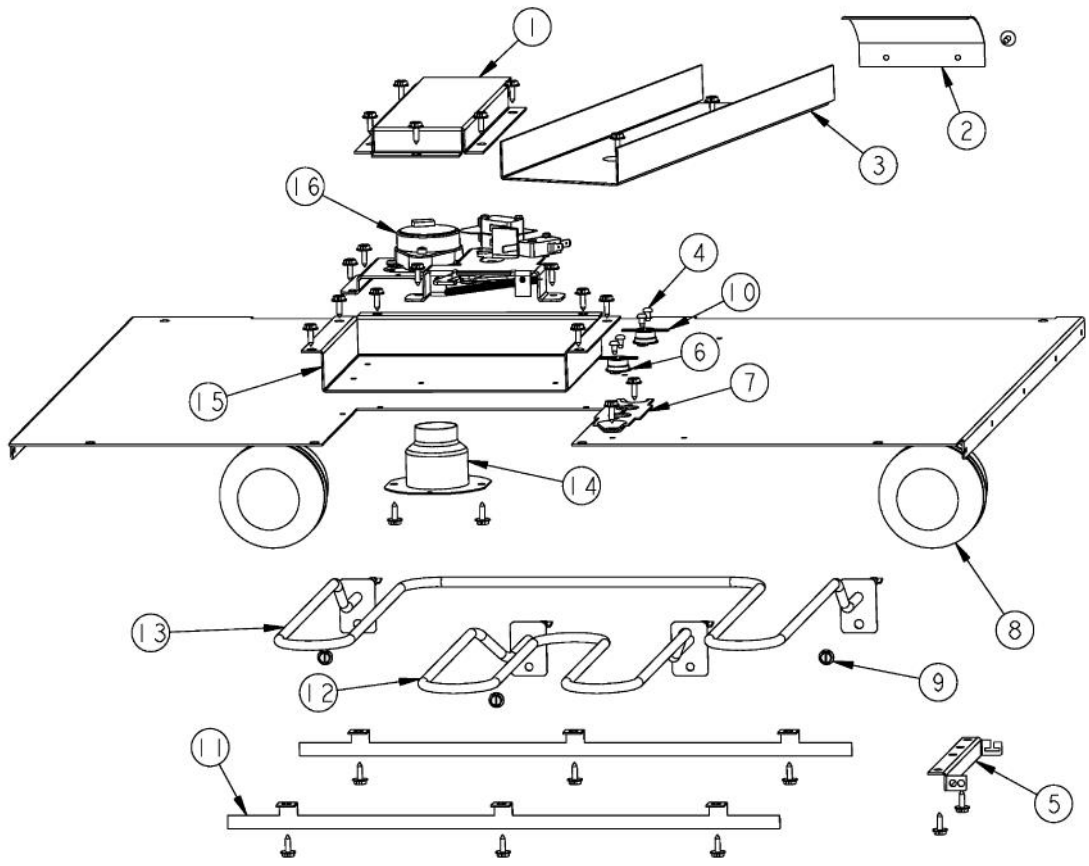
Ref #	Part Number	Qty.	Description
1	PD020002		10 X 1/2 PH.TR.HD.SMS.
2	A20014914		BULKHEAD BRACKET
3	A1006344		DOOR LOCK ACCESS PANEL 48
4	PD030109		INSULATED CLAMP
5	A2002544		BURNER BOX SIDE RH (VDSC48)
6	PK000008		DRIP TRAY GUIDE - RH
7	PB070268		DOOR LOCK BOX INSULATION
8	A20011246		VDSC487 DOOR LOCK INSUL. BOX
9	PK000007		DRIP TRAY GUIDE - LH (VGRT)
10	A2002545		BURNER BOX SIDE LH (VDSC48)
11	PD020033		SRW-NO.10-24X1/2T(23)PH.WFR HD (NKL)
12	PC040010		POP RIVET
13	A2002323		CTRL PAN ELECT. SHIELD (VDSC)
14	A2001629		THERMOSTAT COVER (VGRC485/365)



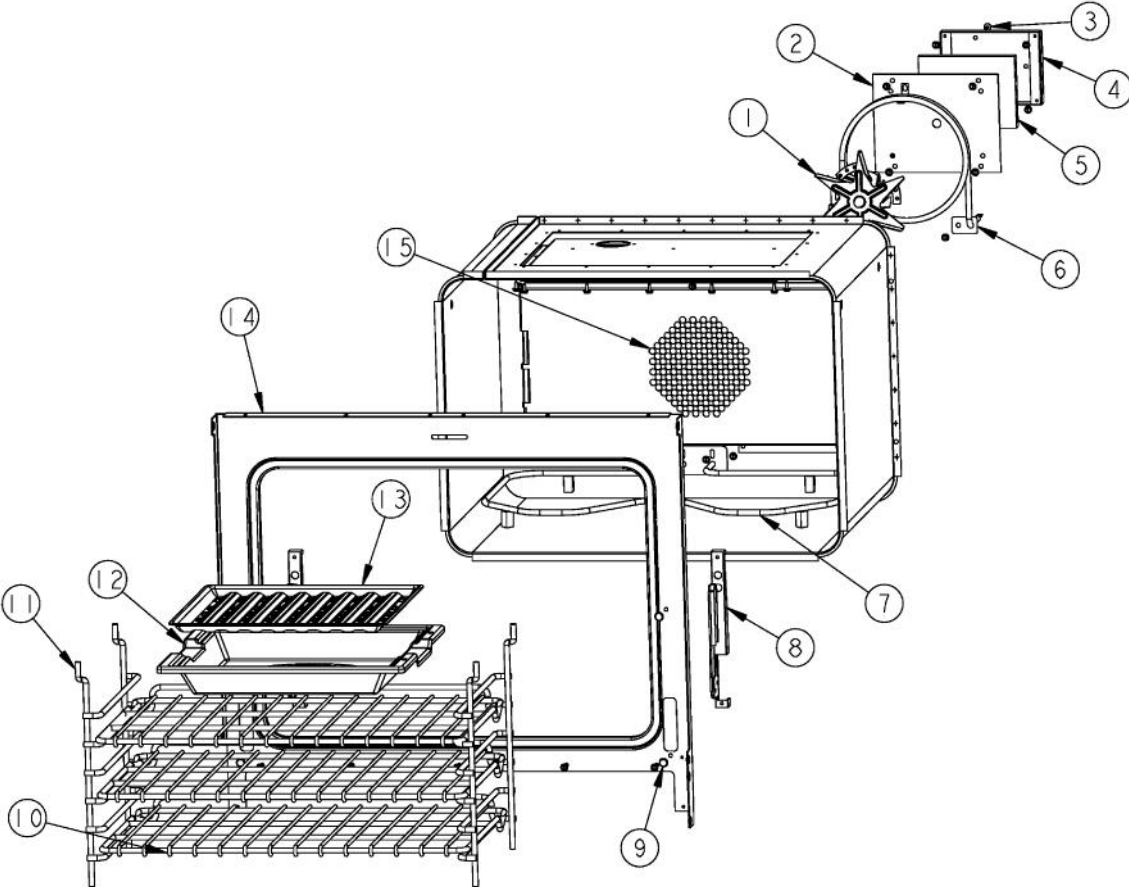
Ref #	Part Number	Qty.	Description
1	G30013336		48 DRIP TRAY ASSY. 6Q &4GQ
2	PB080061		GREASE PAN
3	PD040028		BUSHING(.194ID/.750OD/.750LONG)
4	PD040004		GROMMET BUMPER
5	G30010697		DRIP TRAY HANDLE ASSY 48
	G93011461PVD		DRIP TRAY HANDLE ASSY 48 PVD
6	A20010693		DRIP TRAY HANDLE BACK 48
7	PD020079		NO.10 X 1 1/4 PH. PAN HD. T(A) NYLOK



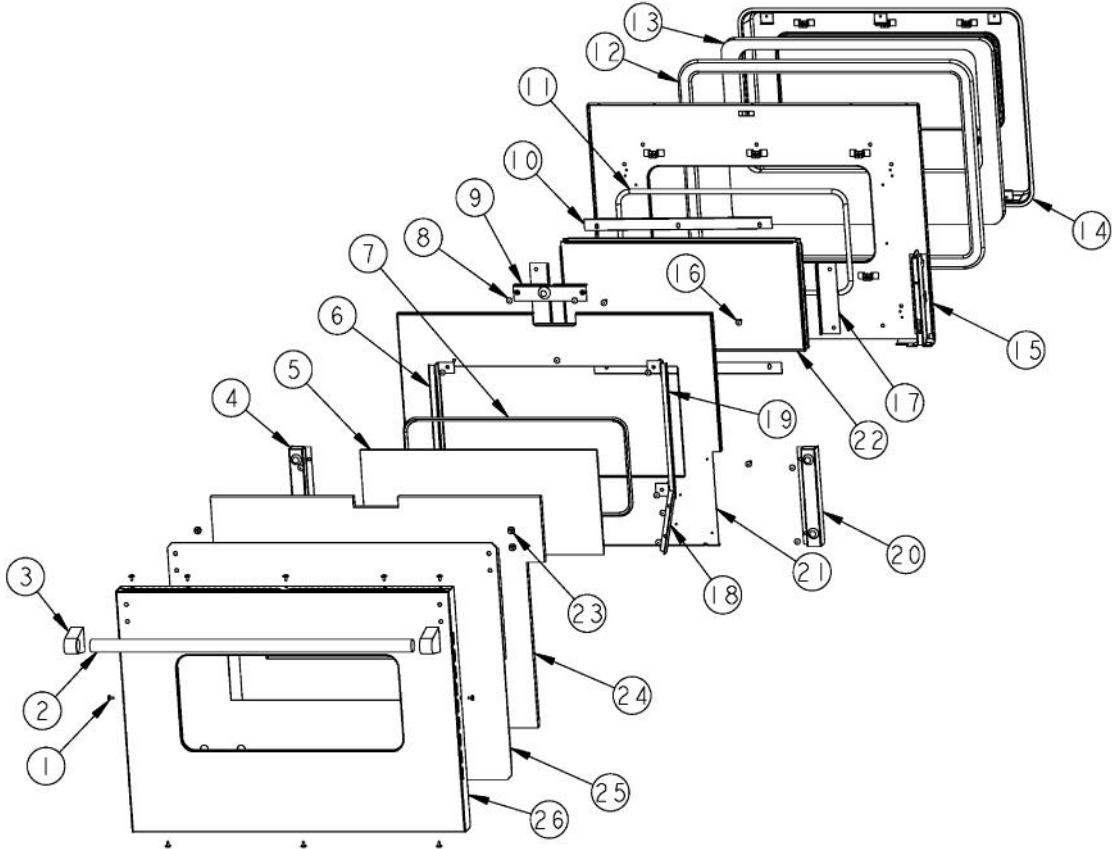
Ref #	Part Number	Qty.	Description
1	B2001140		GRILL FLAME SHIELD (VGRT)
2	A2001132		REAR GRILL BURNER BRKT (VGRT)
3	PB050077		GRILL BURNER
4	PD020004		10X3/8PH.HD.TYPE 25 REPL PD040125
5	PA020028		SPARK IGNITER
6	A2001633		GRILL FRONT SPARKER BRKT (VGRC)
7	B2009846		HEAT DEFLECTOR
8	PD020002		10 X 1/2 PH.TR.HD.SMS.
9	B20010163		HEAT DEFLECTOR
10	A2001855		GRILL BACK - (VGRC605)
11	A1001862		GRILL VENTURI COVER (VGRC605)
12	A2001863		GRILL BTM SHIELD (VGRC605)
13	PB020025		TUBING-GRILL (REVISED) REP PB020021
14	A2001631		GRILL BOX FRONT (VGRC)
15	A2001852		GRILL BOX - (VGRC605)



Ref #	Part Number	Qty.	Description
1	A2002479		SMOKE ELIMINATOR VENT (VDSC)
2	A2002478		AIR SCOOP (VDSC)
3	A2002450		LATCH COOLING DUCT (VDSC)
4	PD020006		NO.6-32 X 1/4 PH.PAN HD. T(F)
5	B20012039		THERMAL BULB BRACKET
6	PJ030006		SWITCH (COOLING FAN)
7	A10014918		THERMODISC BRACKET
8	PE050009		OVEN LIGHT SOCKET - 36 BUILT-IN
9	PD020003		NO.10 X 1/2 T(A) HEX WASHER HEAD
10	PJ030005		SWITCH (HIGH-LIMIT) VDSC
11	B20012072		BROILER ELEMENT BRACKET
12	PJ010001		BROIL ELEMENT 240V
13	PJ010002		BROIL ELEMENT(MAXI)-SIDE (VDSC)240V
14	PM010014		SMOKE ELIMINATOR (VDSC)
15	A2002168		DOOR LATCH BRKT (VDSC)
16	PE050053		DR LATCH REPL PE050020

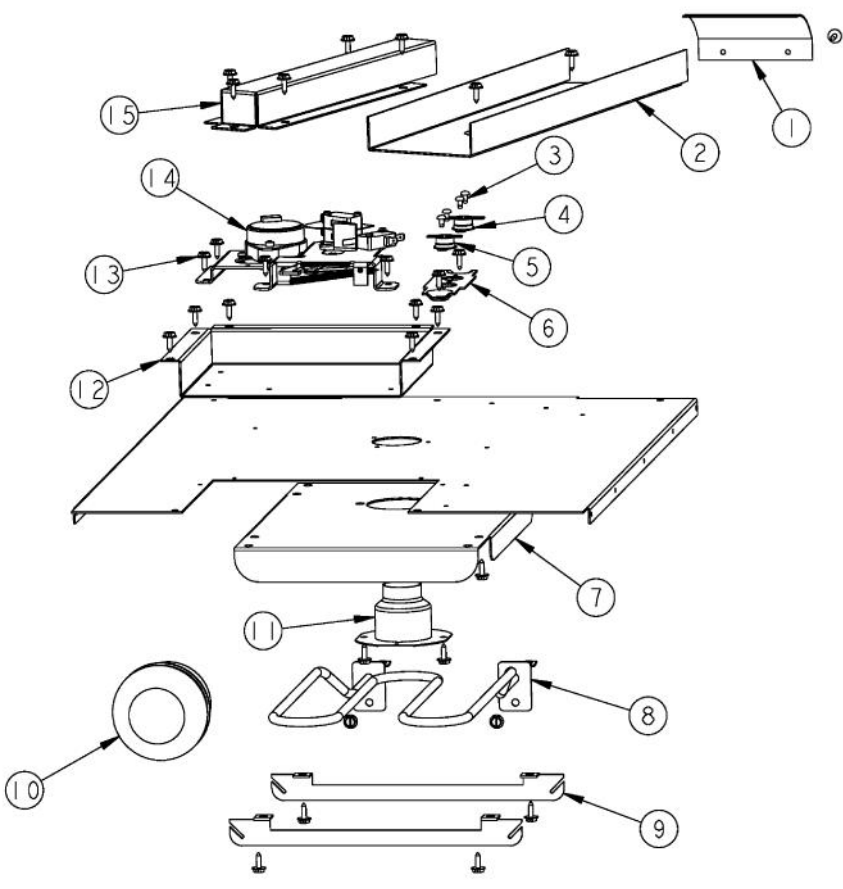


Ref #	Part Number	Qty.	Description
1	PE050005		CONVECTION FAN ASSY
2	A1002596		CONVECTION FAN COVER (VDSC)
3	PD020003		NO.10 X 1/2 T(A) HEX WASHER HEAD
4	A2002595		CONVECTION FAN BOX (VDSC)
5	PB070208		CONVECTION FAN INSULATION
6	PJ010003		CONVECTION ELEMENT (VDSC) 240V
7	PJ010004		BAKE ELEMENT (VDSC) 240V
8	PC020009		HINGE ASSY (BROWN)
9	PD020033		SRW-NO.10-24X1/2T(23)PH.WFR HD (NKL)
10	PB060044		OVEN RK VDSC30/48RH REPL PB060019
11	PB060030		RACK SUPT REPL PB060010
12	E9107933		BROILER PAN
13	E9107934		BROILER PAN INSERT
14	G9102521		FRONT FRAME ASSY RH (VDSC48)
15	E9102170		CONVECTION FAN COVER

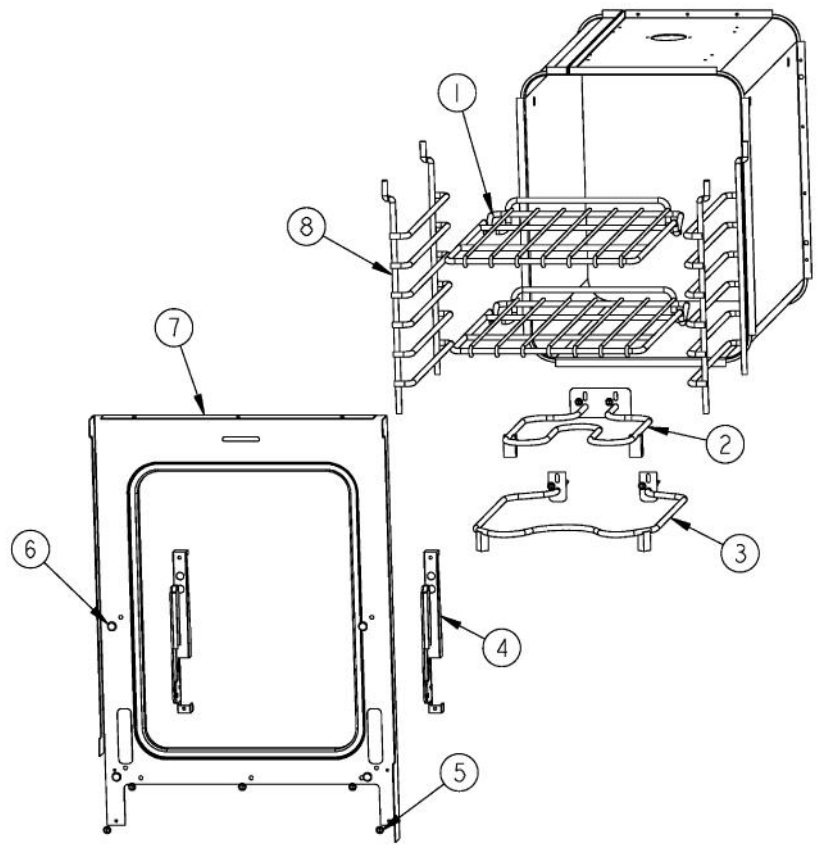


Ref #	Part Number	Qty.	Description
1	PD020032		SRW-8(A)X3/8PH.WFR HD 7/16DIAXNICL
2	PE030005		DOOR HANDLE - VGSC30/RC60/RC48RH
	PE030012PVD		DOOR HANDLE - RH - (30/48) PVD
3	PE030001		BRACKET, DOOR, HANDLE
	PE030001PVD		END CAP DOOR HANDLE XBR
4	A2002499		HINGE POCKET COVER LH
5	PE060030		GLASS-OUTER DOOR BK SCREENED,TEMP
6	A2002367		DOOR GLASS BRKT
7	PE060031		J-MOLD (LARGE WINDOW)
	PE060045		J-MOLD (LARGE WINDOW) XBRX
8	PD020002		10 X 1/2 PH.TR.HD.SMS.
9	A20012912		DOOR LATCH COVER
10	A2007943		GLASSPACK BRACKET, LARGE
11	PB070150		FIBERGLASS ROPE, 3/8 DIA.
12	PB070041		SUB TO 000623-000 - DOOR GASKET(3/8DIA.) (VDSC)
13	PB070076		WOOL INSULATION 1 X 21 X 3'
14	G9102745		DR PG ASSY VDSC30/48 RE H9102175
15	G9102747		DR LINER ASY(VDSC30/48)REP H9102173
16	PD020014		10X3/4 PH TR HD SMS
17	A2002189		DOOR GLASS STANDOFF (VDSC)
18	A2002497		DOOR GUIDE ANGLE VDSC
19	A2002367		DOOR GLASS BRKT
20	A2002498		HINGE POCKET COVER RH
21	A2002169		DOOR INSULATION RETAINER (VDSC30)
22	PE060064		WINDOW PACK, SELF CLEANING OVEN 30
23	PD010019		BLT-1/4-20X3/8HEX WASHER SERATED
24	PB070145		SUPERWOOL 5 X 24 X 3'
25	J1002594		OVEN DR HEAT SINK (VDSC30)
26	B2002528		O/S DOOR PANEL RH XSSX (VDSC48)
	C9002528AL		O/S DOOR PANEL-RH XALX (VDSC48)
	C9002528BK		O/S DOOR PANEL-RH XBKX (VDSC48)
	C9002528BT		O/S DOOR PANEL-RH XBTX (VDSC48)
	C9002528BU		O/S DOOR PANEL-RH XBUX (VDSC48)
	C9002528CB		O/S DOOR PANEL-RH XCBX (VDSC48)
	C9002528EP		O/S DOOR PANEL-RH XEPX (VDSC48)
	C9002528FG		O/S DOOR PANEL-RH XFGX (VDSC48)
	C9002528GG		O/S DOOR PANEL-RH XGGX (VDSC48)
	C9002528LE		O/S DOOR PANEL-RH XLEX (VDSC48)
	C9002528MJ		O/S DOOR PANEL-RH XMJX (VDSC48)
	C9002528SG		O/S DOOR PANEL-RH XSGX (VDSC48)
	C9002528VB		O/S DOOR PANEL-RH XVBX (VDSC48)
	C9002528WH		O/S DOOR PANEL-RH XWHX (VDSC48)
NI	G3202549AL		DOOR SUB-ASSY- RH XALX (VDSC48)
	G3202549ALBR		DOOR SUB-ASSY- RH XALXXBRX (VDSC48)
	G3202549BK		DOOR SUB-ASSY- RH XBKX (VDSC48)
	G3202549BKBR		DOOR SUB-ASSY- RH XBKXXBRX (VDSC48)
	G3202549BT		DOOR SUB-ASSY-RH XBTX (VDSC48)
	G3202549BTBR		DOOR SUB-ASSY- RH XBTXXBRX (VDSC48)
	G3202549BU		DOOR SUB-ASSY- RH XBUX (VDSC48)
	G3202549BUBR		DOOR SUB-ASSY- RH XBUXXXBRX (VDSC48)
	G3202549CB		DOOR SUB-ASSY-RH XCBX (VDSC48)
	G3202549CBBR		DOOR SUB-ASSY- RH XCBXXBRX (VDSC48)
	G3202549EP		DOOR SUB-ASSY- RH XEPX (VDSC48)
	G3202549EPBR		DOOR SUB-ASSY-RH XEPXXBRX (VDSC48)
	G3202549FG		DOOR SUB-ASSY- RH XFGX (VDSC48)
	G3202549FGBR		DOOR SUB-ASSY- RH XFGXXBRX (VDSC48)
	G3202549GG		DOOR SUB-ASSY-RH XGGX (VDSC48)
	G3202549GGBR		DOOR SUB-ASSY- RH XGGXXBRX (VDSC48)
	G3202549LE		DOOR SUB-ASSY-RH XLEX (VDSC48)
	G3202549LEBR		DOOR SUB-ASSY- RH XLEXXXBRX (VDSC48)

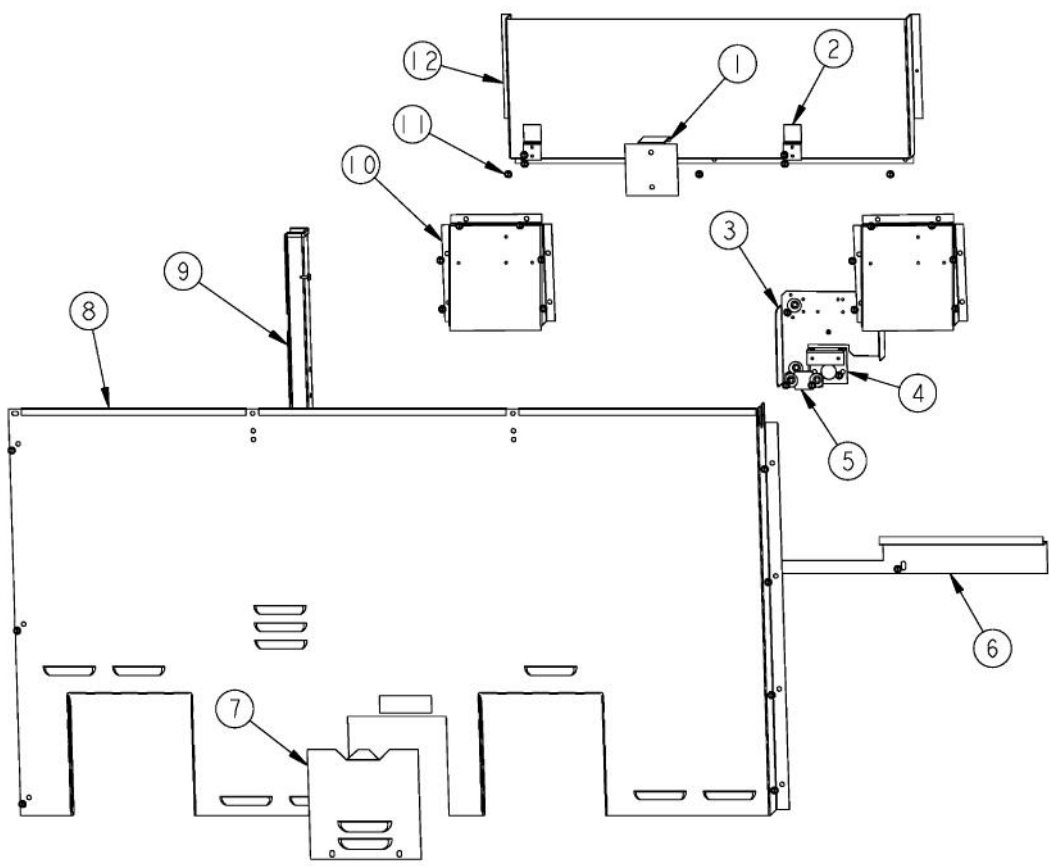
Ref #	Part Number	Qty.	Description
	G3202549LEBR		DOOR SUB-ASSY- RH XLEXXBRX (VDSC48)
	G3202549MJ		DOOR SUB-ASSY-RH XMJX (VDSC48)
	G3202549MJBR		DOOR SUB-ASSY-RH XMJXXBRX (VDSC48)
	G3202549SG		DOOR SUB-ASSY- RH XSGX (VDSC48)
	G3202549SGBR		DOOR SUB-ASSY- RH XSGXXBRX (VDSC48)
	G3202549SS		DOOR SUB-ASSY- RH XSSX (VDSC48)
	G3202549SSBR		DOOR SUB-ASSY- RH XSSXXBRX (VDSC48)
	G3202549VB		DOOR SUB-ASSY- RH XVBX (VDSC48)
	G3202549VBBR		DOOR SUB-ASSY- RH XVBXXBRX (VDSC48)
	G3202549WH		DOOR SUB-ASSY- RH XWHX (VDSC48)
	G3202549WHBR		DOOR SUB-ASSY- RH XWHXXBRX (VDSC48)



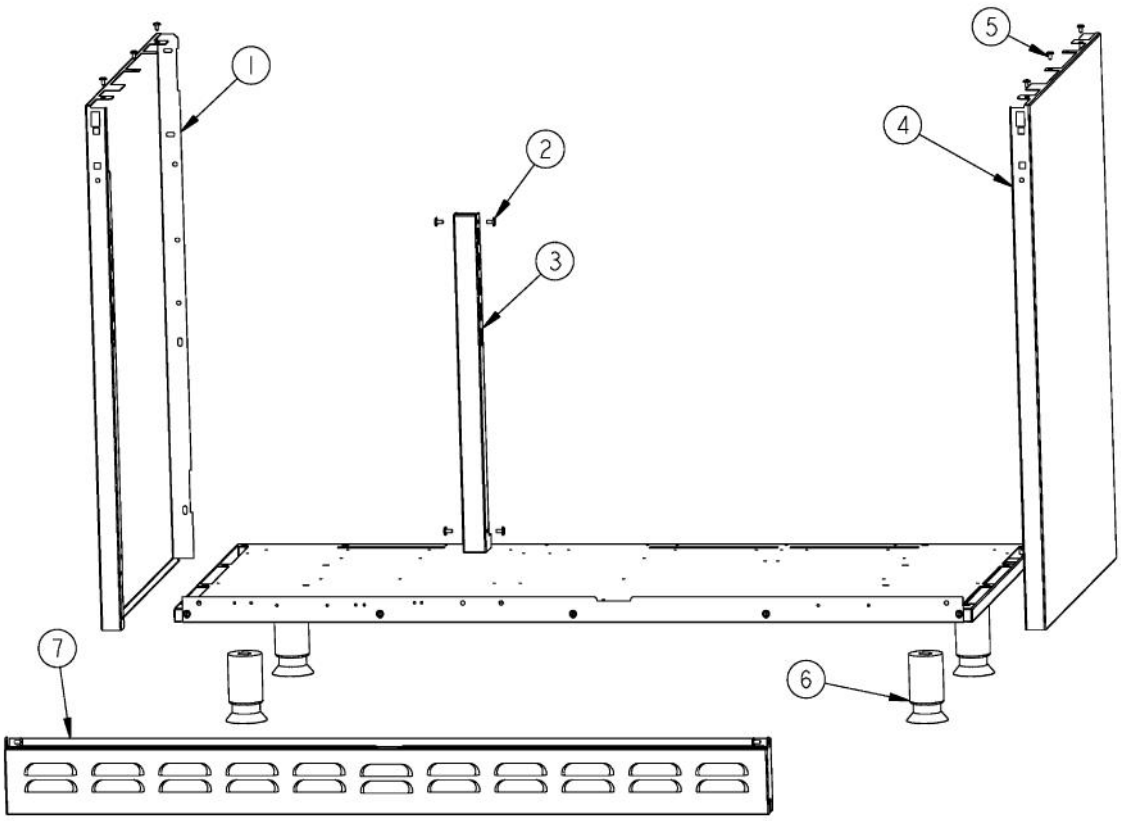
Ref #	Part Number	Qty.	Description
1	A2002478		AIR SCOOP (VDSC)
2	A2002450		LATCH COOLING DUCT (VDSC)
3	PD020006		NO.6-32 X 1/4 PH.PAN HD. T(F)
4	PJ030005		SWITCH (HIGH-LIMIT) VDSC
5	PJ030006		SWITCH (COOLING FAN)
6	A10014918		THERMODISC BRACKET
7	B2002514		BROILER TOP (VDSC48-LH)
8	PJ010001		BROIL ELEMENT 240V
9	B2002515		BROIL ELEMENT BRKT LH (VDSC48)
10	PE050009		OVEN LIGHT SOCKET - 36 BUILT-IN
11	PM010014		SMOKE ELIMINATOR (VDSC)
12	A2002168		DOOR LATCH BRKT (VDSC)
13	PD020003		NO.10 X 1/2 T(A) HEX WASHER HEAD
14	PE050053		DR LATCH REPL PE050020
15	A2002536		SMOKE ELIMINATOR VENT LH (VDSC48)



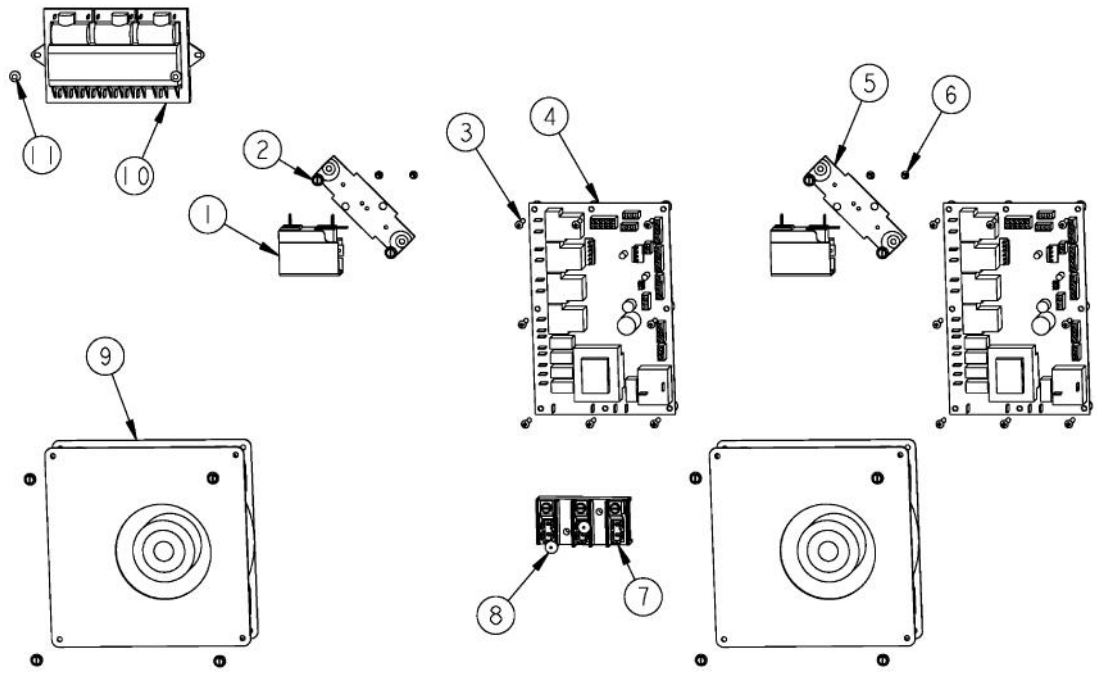
Ref #	Part Number	Qty.	Description
1	PB060046		OVEN RK VDSC48-LH REPL PB060023
2	PJ010007		PROOF ELEMENT LH VDSC-48
3	PJ010005		BAKE ELEMENT LH VDSC-48 240V
4	PC020003		HINGE ASSY (BLUE)
5	PD020003		NO.10 X 1/2 T(A) HEX WASHER HEAD
6	PD020033		SRW-NO.10-24X1/2T(23)PH.WFR HD (NKL)
7	G9102518		FRONT FRAME ASSY LH (VDSC48)
8	PB060030		RACK SUPT REPL PB060010



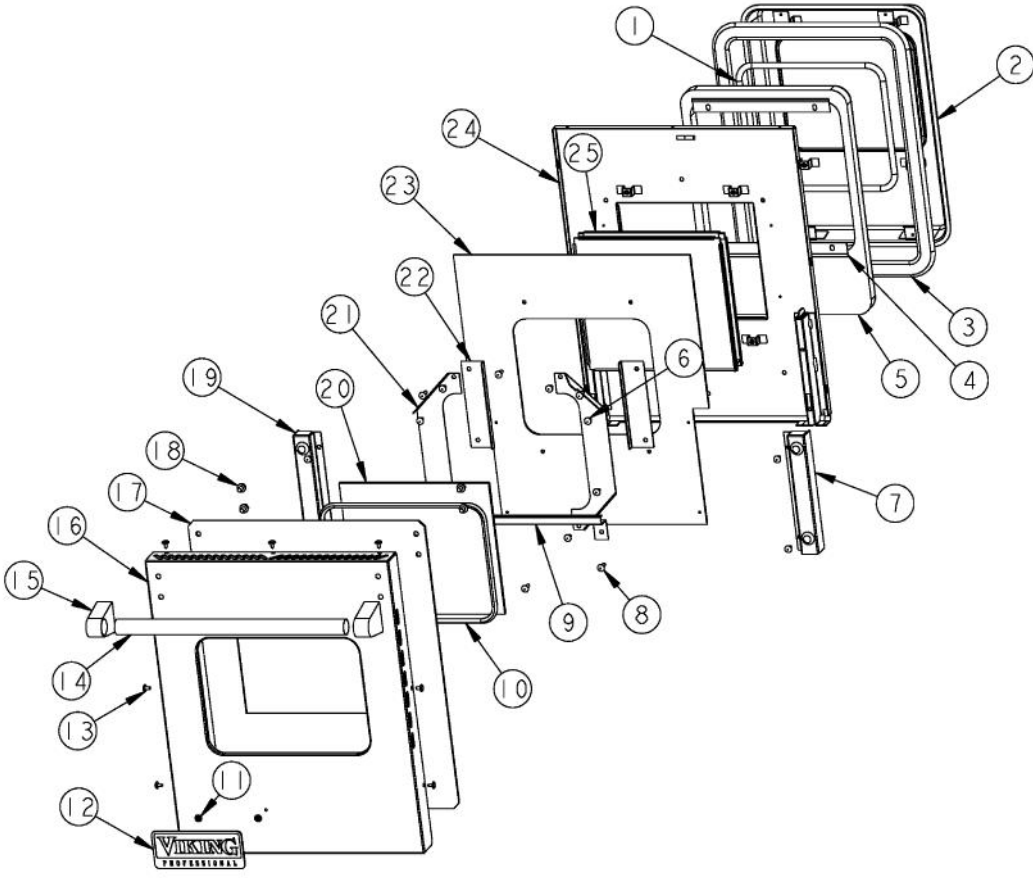
Ref #	Part Number	Qty.	Description
1	A2002654		ANTI-TIP DEVICE (VDSC)
2	A2005735		BACKGUARD SUPPORT BRACKET
3	A2002193		ELECTRICAL MOUNTING BRKT (VDSC)
4	A2002195		POWER CORD MOUNTING BRKT (VDSC)
5	A1002457		POWER CORD MOUNTING STRAP (VDSC)
6	A2004296		LOWER BACK COVER (VDSC485)
7	A2002454		BACK COVER ACCESS DOOR
8	A20014920		BACK COVER
9	A2000210		WIRE CHANNEL
10	A2002180		COOLING FAN HOUSING (VDSC)
11	PD020003		NO.10 X 1/2 T(A) HEX WASHER HEAD
12	A2002537		OVEN FLUE LH (VDSC48)



Ref #	Part Number	Qty.	Description
1	B2002598		O/S BODY PANEL LH (SS)
	C9002598AL		BODY PNL LH 30" REPL C9001922AL
	C9002598BK		BODY PNL LH 30" REPL C9001922BK
	C9002598BT		O/S BODY PANEL-LH XBTX (VDSC)
	C9002598BU		BODY PNL LH 30" REPL C9001922BU
	C9002598CB		O/S BODY PANEL-LH XCBX (VDSC)
	C9002598EP		O/S BODY PANEL-LH XEPX (VDSC)
	C9002598FG		BODY PNL LH 30" REPL C9001922FG
	C9002598GG		BODY PNL LH 30" REPL C9001922GG
	C9002598LE		O/S BODY PANEL-LH XLEX (VDSC)
	C9002598MJ		O/S BODY PANEL-LH XMJX (VDSC)
	C9002598SG		O/S BODY PANEL-LH XSGX (VDSC)
	C9002598VB		BODY PNL LH 30" REPL C9001922VB
	C9002598WH		BODY PNL LH 30" REPL C9001922WH
2	PD020033		SRW-NO.10-24X1/2T(23)PH.WFR HD (NKL)
3	B2002535		CENTER TRIM (VDSC485)
	C9002535AL		CENTER TRIM-XALX (VDSC485)
	C9002535BK		CENTER TRIM-XBKX (VDSC485)
	C9002535BT		CENTER TRIM-XBTX (VDSC485)
	C9002535BU		CENTER TRIM-XBUX (VDSC485)
	C9002535CB		CENTER TRIM-XCBX (VDSC485)
	C9002535EP		CENTER TRIM-XEPX (VDSC485)
	C9002535FG		CENTER TRIM-XFGX (VDSC485)
	C9002535GG		CENTER TRIM-XGGX (VDSC485)
	C9002535LE		CENTER TRIM-XLEX (VDSC485)
	C9002535MJ		CENTER TRIM-XMJX (VDSC485)
	C9002535SG		CENTER TRIM-XSGX (VDSC485)
	C9002535VB		CENTER TRIM-XVBX (VDSC485)
	C9002535WH		CENTER TRIM-XWHX (VDSC485)
4	B2002597		O/S BODY PANEL - RH (SS)
	C9002597AL		O/S BODY PANEL-RH XALX (VDSC)
	C9002597BK		BODY PNL RH BK REPL C9001921BK
	C9002597BT		O/S BODY PANEL-RH XBTX (VDSC)
	C9002597BU		BODY PNL RH BU REPL C9001921BU
	C9002597CB		O/S BODY PANEL-RH XCBX (VDSC)
	C9002597EP		O/S BODY PANEL-RH XEPX (VDSC)
	C9002597FG		BODY PNL RH FG REPL C9001921FG
	C9002597GG		BODY PNL RH GG REPL C9001921GG
	C9002597LE		O/S BODY PANEL-RH XLEX (VDSC)
	C9002597MJ		O/S BODY PANEL-RH XMJX (VDSC)
	C9002597SG		O/S BODY PANEL-RH XSGX (VDSC)
	C9002597VB		BODY PNL RH VB REPL C9001921VB
	C9002597WH		BODY PNL RH WH REPL C9001921WH
5	PD020032		SRW-8(A)X3/8PH.WFR HD 7/16DIAXNICL
6	PC030017		4 LEG ASSY
7	B2001241		LWR ACC. PNL - RPLCS B2001973
	C9001241AL		LWR ACC PNL - RPLCS C9001973AL
	C9001241BK		LWR ACC PNL - RPLCS C9001973BK
	C9001241BT		LWR ACC PNL - RPLCS C9001973BT
	C9001241BU		LWR ACC PNL - RPLCS C9001973BU
	C9001241CB		LWR ACC PNL - RPLCS C9001973CB
	C9001241EP		LWR ACC PNL - RPLCS C9001973EP
	C9001241FG		LWR ACC PNL - RPLCS C9001973FG
	C9001241GG		LWR ACC PNL - RPLCS C9001973GG
	C9001241LE		LWR ACC PNL - RPLCS C9001973LE
	C9001241MJ		LWR ACC PNL - RPLCS C9001973MJ
	C9001241SG		LWR ACC PNL - RPLCS C9001973SG
	C9001241VB		LWR ACC PNL - RPLCS C9001973VB
	C9001241WH		LWR ACC PNL - RPLCS C9001973WH



Ref #	Part Number	Qty.	Description
1	PJ030002		AUTO RESET (SELF-CLEAN) VDSC
2	PD020003		NO.10 X 1/2 T(A) HEX WASHER HEAD
3	PD020185		NO.6 X 1 PAN HEAD SCREW
4	PE070786		ELECTRONIC CONTROL BOARD
5	A1002456		THERMO-DISC BRKT (VDSC)
6	PD020006		NO.6-32 X 1/4 PH.PAN HD. T(F)
7	PE070147		TERMINAL BLOCK
8	PD020014		10X3/4 PH TR HD SMS
9	PE050026		COOLING FAN (VDSC)
10	PA020048		INVENSYS 0+6 RE-IGNITION SPARK MODULE
11	PD020004		10X3/8PH.HD.TYPE 25 REPL PD040125

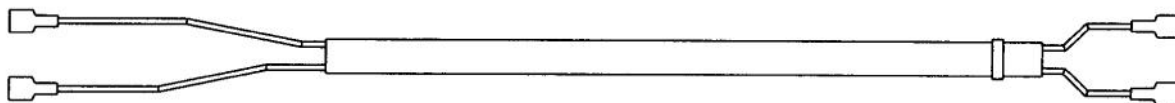


Ref #	Part Number	Qty.	Description
1	PB070150		FIBERGLASS ROPE, 3/8 DIA.
2	H9102507		DOOR PLUG ASSY LH (VDSC48)
3	PB070041		SUB TO 000623-000 - DOOR GASKET(3/8DIA.) (VDSC)
4	A2007942		GLASSPACK BRACKET, MEDIUM
5	PB070076		WOOL INSULATION 1 X 21 X 3`
6	PD020002		10 X 1/2 PH.TR.HD.SMS.
7	A2002498		HINGE POCKET COVER RH
8	PD020014		10X3/4 PH TR HD SMS
9	A2002367		DOOR GLASS BRKT
10	PE060046		J-MOLD LH SS (DF48 DOOR)
	PE060048		J-MOLD LH XBRX (DF48 DOOR)
11	PD030006		CAPPED WASHER PAL NUT
12	PE010030		LOGO, 6, PRO, BK
	PE010031		LOGO 6 (VGRC) XBK/WHX
	PE010068		LOGO, 6, PRO, BK/BR
	PE010076		LOGO 6 (VGRC) XBR/WHX
13	PD020032		SRW-8(A)X3/8PH.WFR HD 7/16DIAXNICL
14	PE030008		DOOR HANDLE - LH 48VGRC
	PE030014		HANDLE - BR
15	PE030001		BRACKET, DOOR, HANDLE
	PE030001PVD		END CAP DOOR HANDLE XBR
16	B2002504		O/S DOOR PANEL LH XSSX (VDSC48)
	C9002504AL		O/S DOOR PANEL-LH XALX (VDSC48)
	C9002504BK		O/S DOOR PANEL-LH XBKX (VDSC48)
	C9002504BT		O/S DOOR PANEL-LH XBTX (VDSC48)
	C9002504BU		O/S DOOR PANEL-LH XBUX (VDSC48)
	C9002504CB		O/S DOOR PANEL-LH XCBX (VDSC48)
	C9002504EP		O/S DOOR PANEL-LH XEPX (VDSC48)
	C9002504FG		O/S DOOR PANEL-LH XFGX (VDSC48)
	C9002504GG		O/S DOOR PANEL-LH XGGX (VDSC48)
	C9002504LE		O/S DOOR PANEL-LH XLEX (VDSC48)
	C9002504MJ		O/S DOOR PANEL-LH XMJX (VDSC48)
	C9002504SG		O/S DOOR PANEL-SG XSGX (VDSC48)
	C9002504VB		O/S DOOR PANEL-LHXVBX (VDSC48)
	C9002504WH		O/S DOOR PANEL-LH XWHX (VDSC48)
17	J1002506		OVEN DR HEAT SINK LH (VDSC48)
18	PD010019		BLT-1/4-20X3/8HEX WASHER SERATED
19	A2002499		HINGE POCKET COVER LH
20	PE060049		GLASS LH XTEX DF48DOOR
21	E9102668		WINDOW BRKT (O/S DOOR GLASS)
22	A2002189		DOOR GLASS STANDOFF (VDSC)
23	J1002511		OVEN DR HEAT SINK (INNER) LH (VDSC4
24	H9102502		OVEN DR LINER ASSY LH (VDSC48)
25	PE060062		WINDOW PACK, SELF CLEANING OVEN
NI	G3202509AL		DOOR SUB-ASSY- LH XALX (VDSC48)
	G3202509ALBR		DOOR SUB-ASSY- LH XALXXBRX(VDSC48)
	G3202509BK		DOOR SUB-ASSY- LH XBKX (VDSC48)
	G3202509BKBR		DOOR SUB-ASSY- LH XBKXXBRX (VDSC48)
	G3202509BT		DOOR SUB-ASSY-LH XBTX (VDSC48)
	G3202509BTBR		DOOR SUB-ASSY- LH XBTXXBRX(VDSC48)
	G3202509BU		DOOR SUB-ASSY- LH XBUX (VDSC48)
	G3202509BUBR		DOOR SUB-ASSY LH XBUXXBRX (VDSC48)
	G3202509CB		DOOR SUB-ASSY-LH XCBX (VDSC48)
	G3202509CBBR		DOOR SUB-ASSY- LH XCBXXBRX(VDSC48)
	G3202509EP		DOOR SUB-ASSY- LH XEPX (VDSC48)
	G3202509EPBR		DOOR SUB-ASSY- LH XEPXXBRX(VDSC48)
	G3202509FG		DOOR SUB-ASSY- LH XFGX (VDSC48)
	G3202509FGBR		DOOR SUB-ASSY- LH XFGXXBRX (VDSC48)
	G3202509GG		DOOR SUB-ASSY- LH XGGX (VDSC48)
	G3202509GGBR		DOOR SUB-ASSY- LH XGGXBRX (VDSC48)

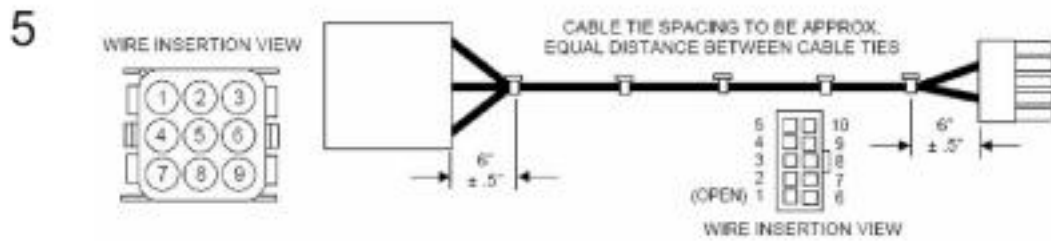
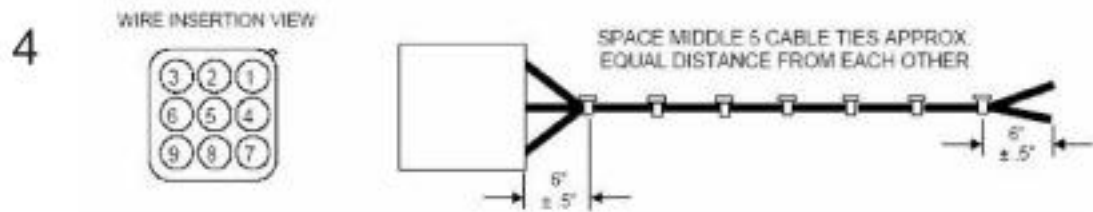
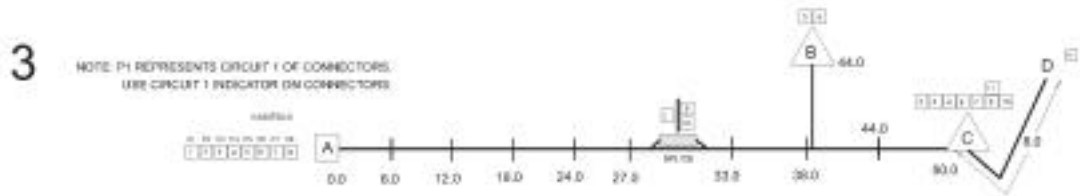
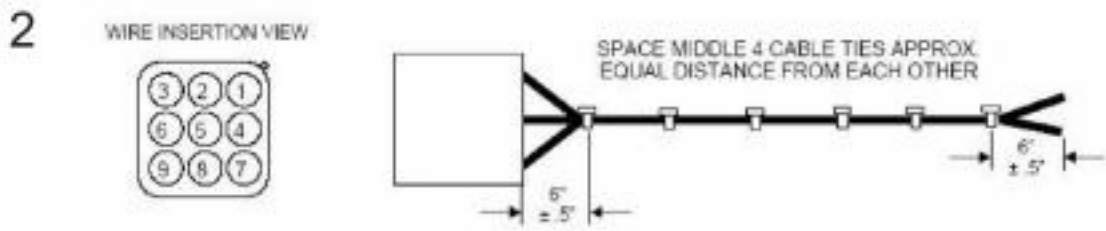
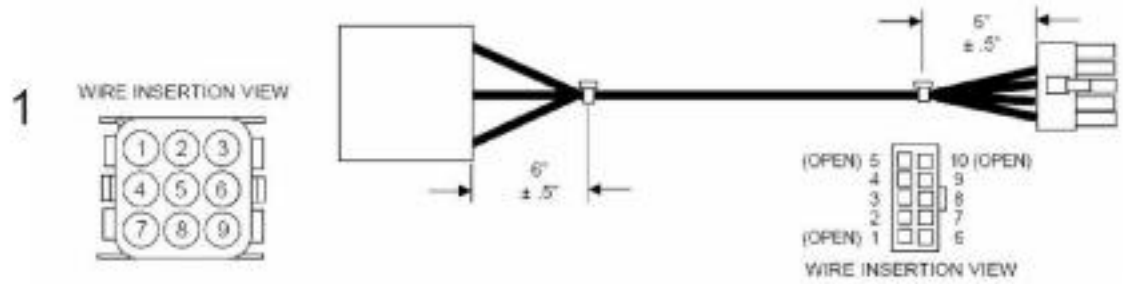
Ref #	Part Number	Qty.	Description
	G3202509GGBR		DOOR SUB-ASSY- LH XGGXBRX (VDSC48)
	G3202509LE		DOOR SUB-ASSY- LH XLEX (VDSC48)
	G3202509LEBR		DOOR SUB-ASSY- LH XLEXBRX(VDSC48)
	G3202509MJ		DOOR SUB-ASSY- LH XMJX (VDSC48)
	G3202509MJBR		DOOR SUB-ASSY- LHXMJXXBR(VDSC48)
	G3202509SG		DOOR SUB-ASSY- LH XSGX (VDSC48)
	G3202509SGBR		DOOR SUB-ASSY- LH XSGXXBRX(VDSC48)
	G3202509SS		DOOR SUB-ASSY- LH XSSX (VDSC48)
	G3202509SSBR		DOOR SUB-ASSY- LH XSSXXBRX (VDSC48)
	G3202509VB		DOOR SUB-ASSY- LH XVBX (VDSC48)
	G3202509VBBR		DOOR SUB-ASSY- LH XVBXXBRX (VDSC48)
	G3202509WH		DOOR SUB-ASSY- LH XWHX (VDSC48)
	G3202509WHBR		DOOR SUB-ASSY- LH XWHXXBRX (VDSC48)

**1**

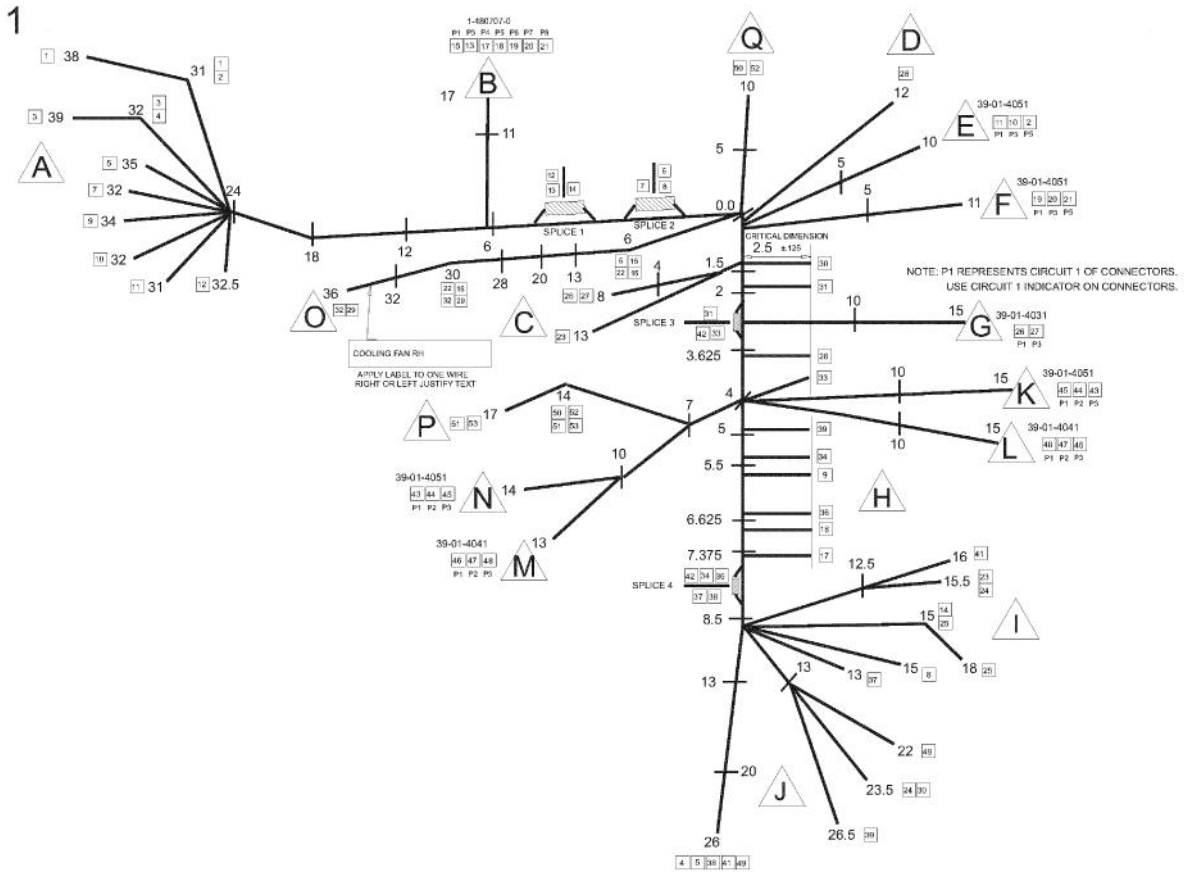
NOTE: EACH "KIT" WILL CONTAIN SEVERAL SETS OF IGNITOR WIRES (AS SHOWN BELOW). THESE SHOULD BE BUNDLED TOGETHER WITH TAPE & LABELED WITH THE KIT PURC. # , AND THE MODEL USAGE #.



Ref #	Part Number	Qty.	Description
1	PE070672		IGNITOR WIRE KIT - VDSC485-6Q



Ref #	Part Number	Qty.	Description
1	PE070776		LH REAR SELECTOR HARNESS
2	PE070777		LH 5 POS SELECTOR HARNESS
3	PE070778		LH TSTAT/GRIDDLE HARNESS
4	PE070779		RH 8 POS SELECTOR HARNESS
5	PE070780		RH REAR SELECTOR HARNESS

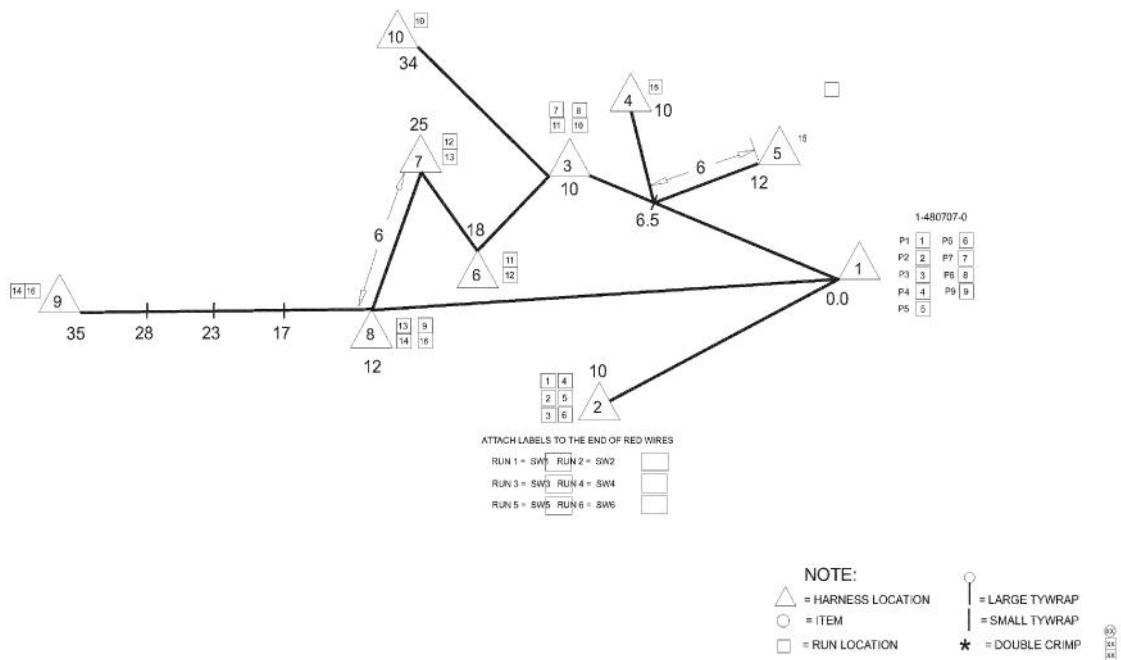


Ref #	Part Number	Qty.	Description
1	PE070775		LH OVEN MAIN HARNESS



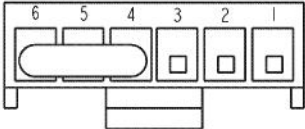
Ref #	Part Number	Qty.	Description
1	PE070781		RH MAIN OVEN HARNESS

1

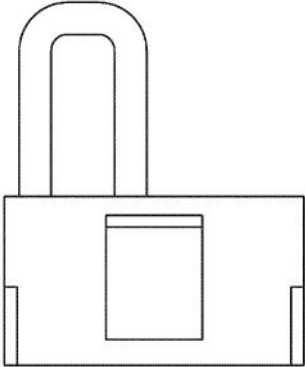


Ref #	Part Number	Qty.	Description
1	PE070783		6 POSITION SPARK MOD HARNESS

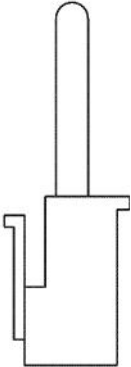
1



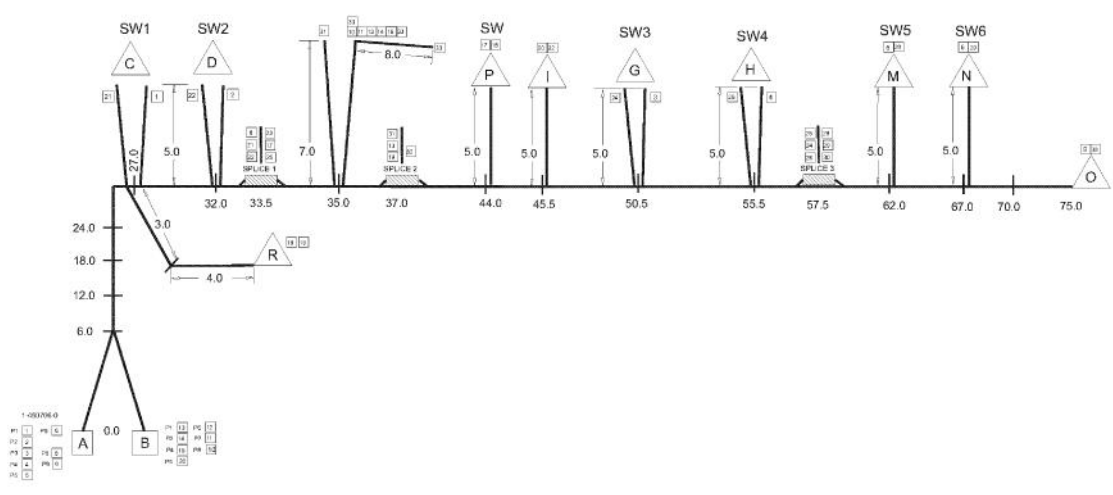
Red 20 GA XLPE  
Jump Position 4 and 6



JST Connector  
Part No. VHR-6N



Ref #	Part Number	Qty.	Description
1	PE070787		VDSC LEFT HAND OVEN HEADER



NOTE: P1 REPRESENTS CIRCUIT 1 OF CONNECTORS.  
 USE CIRCUIT 1 INDICATOR ON CONNECTORS.

Ref #	Part Number	Qty.	Description
1	PE070807		VDSC487C-6Q FRONT HARNESS