

This Owner's Manual is provided and hosted by [Appliance Factory Parts](#).



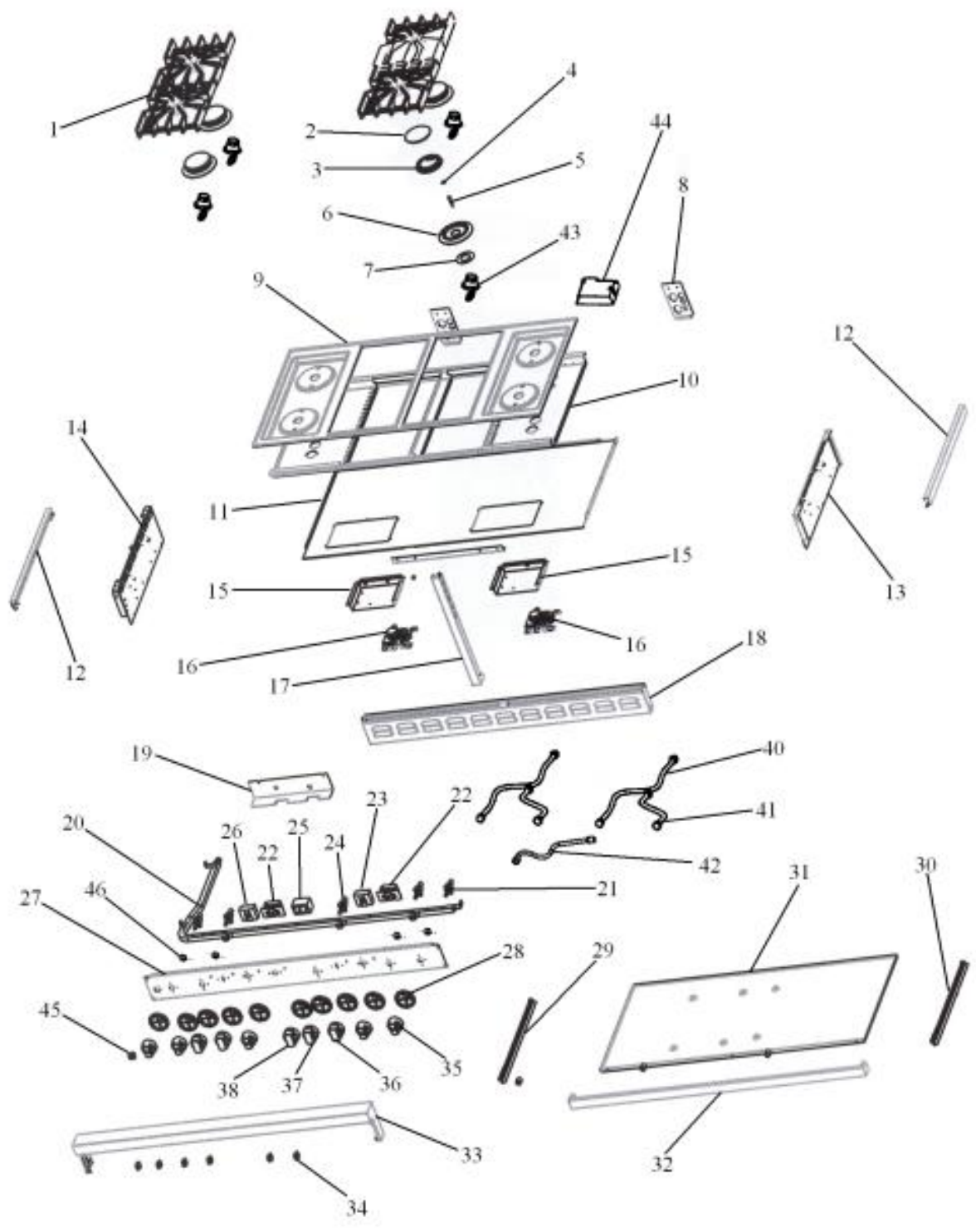
VIKING VDSC487 Owner's Manual

[Shop genuine replacement parts for VIKING VDSC487](#)



[Find Your VIKING Range Hoods Parts - Select From 411 Models](#)

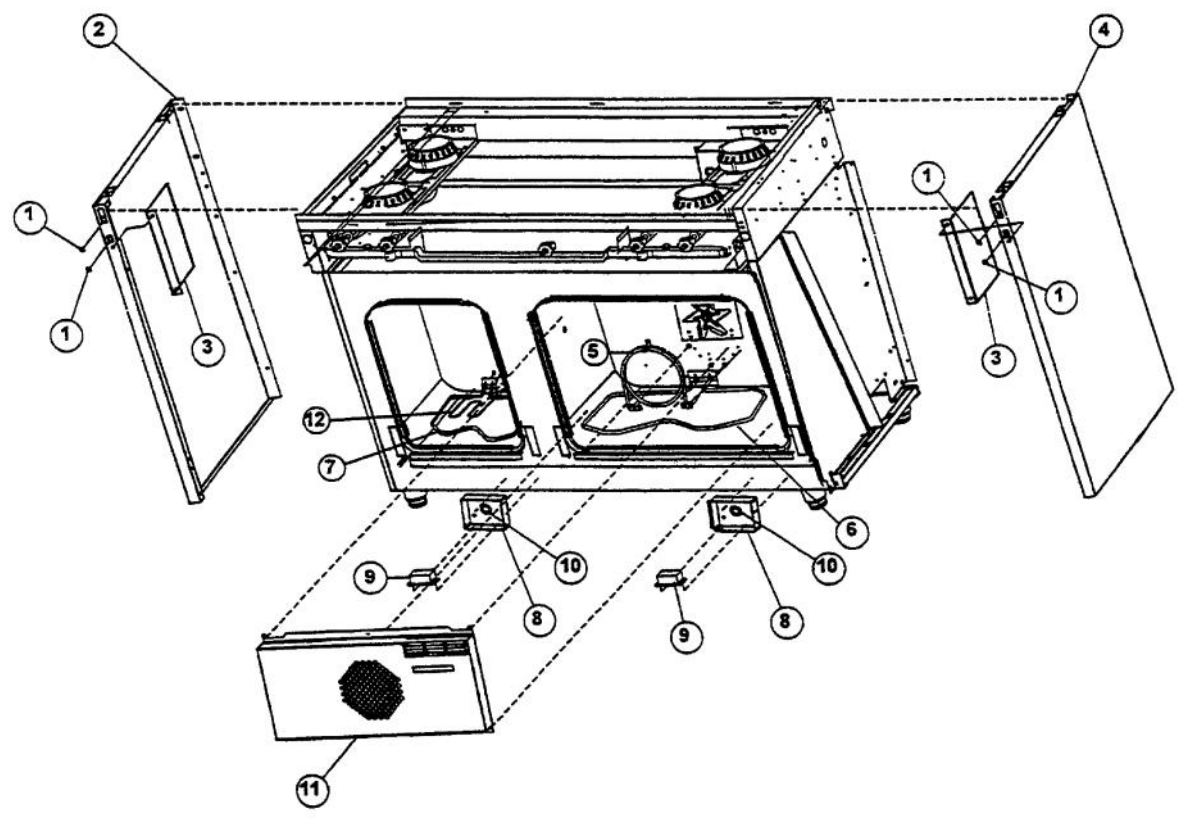
----- Manual continues below -----



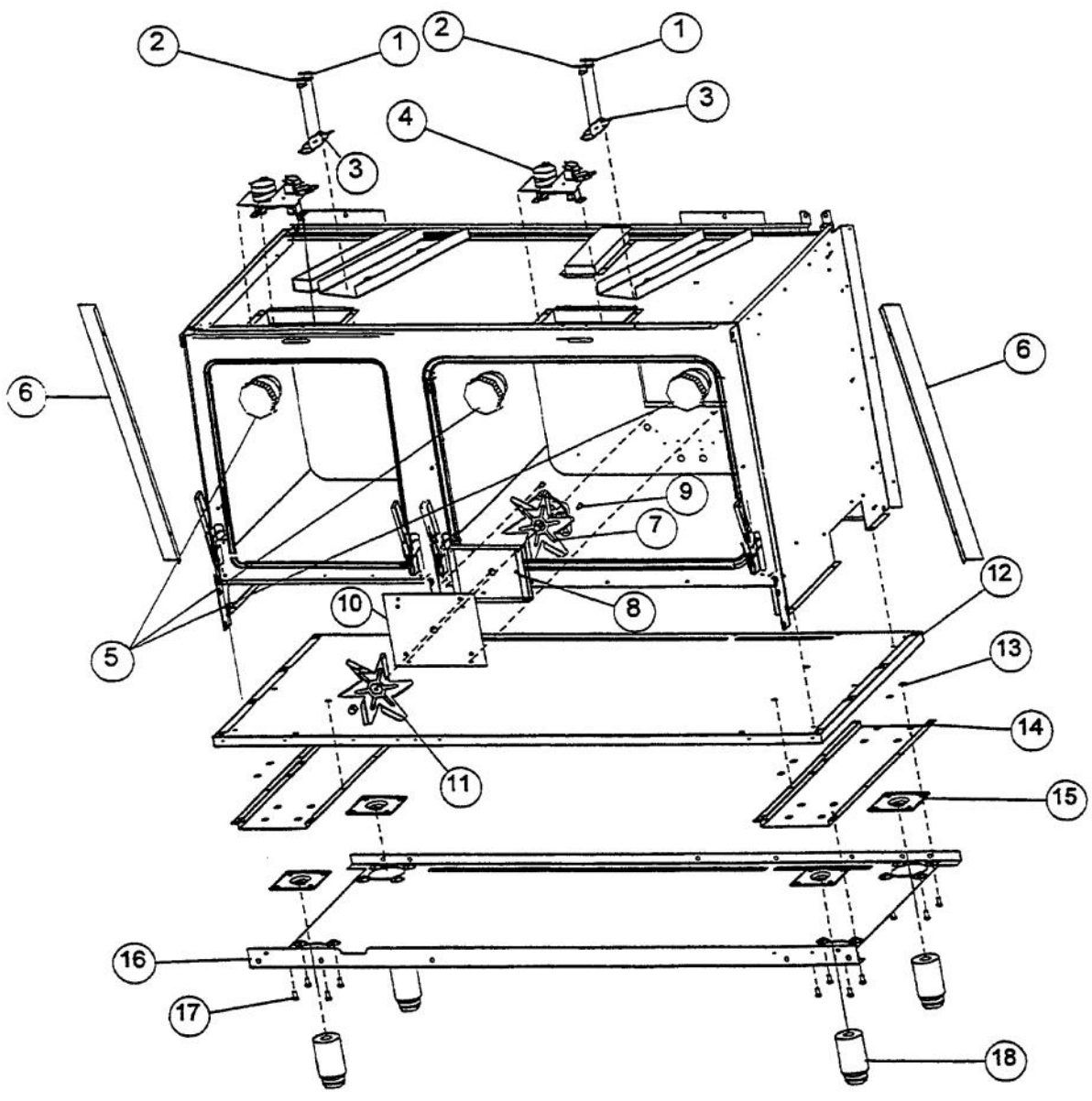
Ref #	Part Number	Qty.	Description
1	PA060054		SEALED GRATE XBKX
	PA060062		SEALED GRATE GRAY
2	PA080045		BURNER CAP - BK?
	PA080086		D BURNER CAP XMATTE GRAYX
3	PB050063		BURNER HEAD
4	ORDER IGNITER		N/A
5	PB040264		GLAZED ELECTRODE REPLACED BY PB050081
6	PB050062		BURNER BASE
7	PB070124		GASKET (VDSC3074B) REPLACED BY PB050081
8	A20010637		TERM. BLOCK BRACKET
9	E9109803AL		MAIN TOP ASSY - 4GQ (AL)
	E9109803BK		48 SEALED COOKTOP 4BGQ XBKX
	E9109803BT		MAIN TOP ASSY - 4GQ (BT)
	E9109803CB		MAIN TOP ASSY - 4GQ (CB)
	E9109803EP		MAIN TOP ASSY - 4GQ (EP)
	E9109803FG		MAIN TOP ASSY - 4GQ (FG)
	E9109803GG		MAIN TOP ASSY - 4GQ (GG)
	E9109803LE		MAIN TOP ASSY - 4GQ (LE)
	E9109803MJ		MAIN TOP ASSY - 4GQ (MJ)
	E9109803SG		MAIN TOP ASSY - 4GQ (SG)
	E9109803VB		MAIN TOP ASSY - 4GQ (VB)
	E9109803WH		48 SEALED COOKTOP 4BGQ XWHX
	E9109801AL		MAIN TOP ASSY - 6G / 6Q (AL)
	E9109801BK		48 SEALED COOKTOP 6BG & 6BQ XBKX
	E9109801BT		MAIN TOP ASSY - 6G / 6Q (BT)
	E9109801CB		MAIN TOP ASSY - 6G / 6Q (CB)
	E9109801EP		MAIN TOP ASSY - 6G / 6Q (EP)
	E9109801FG		MAIN TOP ASSY - 6G / 6Q (FG)
	E9109801GG		MAIN TOP ASSY - 6G / 6Q (GG)
	E9109801LE		MAIN TOP ASSY - 6G / 6Q (LE)
	E9109801MJ		MAIN TOP ASSY - 6G / 6Q (MJ)
	E9109801SG		48 SEALED COOKTOP 6BG & 6BQ XSGX
	E9109801VB		MAIN TOP ASSY - 6G / 6Q (VB)
	E9109801WH		48 SEALED COOKTOP 6BG & 6BQ XWHX
	E9109804AL		MAIN TOP ASSY - 4G (AL)
	E9109804BK		MAIN TOP (VDSC4G/4Q)
	E9109804BT		MAIN TOP ASSY - 4G (BT)
	E9109804CB		MAIN TOP ASSY - 4G (CB)
	E9109804EP		MAIN TOP ASSY - 4G (EP)
	E9109804FG		MAIN TOP ASSY - 4G (FG)
	E9109804GG		MAIN TOP ASSY - 4G (GG)
	E9109804LE		MAIN TOP ASSY - 4G (LE)
	E9109804MJ		MAIN TOP ASSY - 4G (MJ)
	E9109804SG		MAIN TOP ASSY - 4G (SG)
	E9109804VB		MAIN TOP ASSY - 4G (VB)
	E9109804WH		MAIN TOP (VDSC4G/4Q) XWHX
10	A20011240		48 SEALED BURNER SUPT. (4GQ)
	A20011234		BURNER BOX SUPPORT
	A20010184		48 SEALED BURNER SUPPORT
11	A2002539		BURNER BOX INSULATOR SHIELD (VDSC48)
12	B2007868		IC SEALED SIDE TRIM
	C9307868BR		IC SEALED SIDE TRIM XBRX
13	A2002544		BURNER BOX SIDE RH (VDSC48)
14	A2002545		BURNER BOX SIDE LH (VDSC48)
15	A2002168		DOOR LATCH BRKT (VDSC)
16	PE050053		DR LATCH REPL PE050020
17	B2002535		CENTER TRIM (VDSC485)
	C9002535AL		CENTER TRIM-XALX (VDSC485)
	C9002535BK		CENTER TRIM-XBKX (VDSC485)
	C9002535BT		CENTER TRIM-XBTX (VDSC485)

Ref #	Part Number	Qty.	Description
	C9002535BT		CENTER TRIM-XBTX (VDSC485)
	C9002535BU		CENTER TRIM-XBUX (VDSC485)
	C9002535CB		CENTER TRIM-XCBX (VDSC485)
	C9002535EP		CENTER TRIM-XEPX (VDSC485)
	C9002535FG		CENTER TRIM-XFGX (VDSC485)
	C9002535GG		CENTER TRIM-XGGX (VDSC485)
	C9002535LE		CENTER TRIM-XLEX (VDSC485)
	C9002535MJ		CENTER TRIM-XMJX (VDSC485)
	C9002535SG		CENTER TRIM-XSGX (VDSC485)
	C9002535VB		CENTER TRIM-XVBX (VDSC485)
	C9002535WH		CENTER TRIM-XWHX (VDSC485)
18	B2001241		LWR ACC. PNL - RPLCS B2001973
	C9001241AL		LWR ACC PNL - RPLCS C9001973AL
	C9001241BK		LWR ACC PNL - RPLCS C9001973BK
	C9001241BT		LWR ACC PNL - RPLCS C9001973BT
	C9001241BU		LWR ACC PNL - RPLCS C9001973BU
	C9001241CB		LWR ACC PNL - RPLCS C9001973CB
	C9001241EP		LWR ACC PNL - RPLCS C9001973EP
	C9001241FG		LWR ACC PNL - RPLCS C9001973FG
	C9001241GG		LWR ACC PNL - RPLCS C9001973GG
	C9001241LE		LWR ACC PNL - RPLCS C9001973LE
	C9001241MJ		LWR ACC PNL - RPLCS C9001973MJ
	C9001241SG		LWR ACC PNL - RPLCS C9001973SG
	C9001241VB		LWR ACC PNL - RPLCS C9001973VB
	C9001241WH		LWR ACC PNL - RPLCS C9001973WH
19	A20010636		48 COMPONENT SHIELD (6G & 4GQ)
20	PA050115		UNIVERSAL 48 MANIFOLD
21	G50012679		SEALED BURNER VALVE KIT (BEFORE 02/23/05)
21	PA010158		SUB TO 003517-000 - SEALED BURNER FLARE VALVE (AFTER 02/23/05)
22	PJ030003		THERMOSTAT (SELF-CLEAN) VDSC (BEFORE 02/02/05)
22	PJ030031		SUB TO PS500032 - UPPER THERMOSTAT (AFTER 02/02/05)
23	PJ030001		SELECTOR SWITCH (8-POSITION) VDSC
24	PA010030		GRILL VALVE-(VGRT)
25	PB010264		GRIDDLE THERMOSTAT
26	PJ030009		SELECTOR SWITCH (5-POSITION) VDSC48
27	B92011239		VDSC487 CONTROL PANEL 4GQ
27	B92011237		VDSC487 CONTROL PANEL 6Q
27	B92011238		CONTROL PANEL (VDSC4876G)
27	B92011236		VDSC487 CONTROL PANEL (4G)
28	PB010208		BEZEL, CHROME PLATE
28	PB010209		BEZEL BRASS
29	PK000009		RUNNER, DRIP TRAY - LH (VGRT)
30	PK000010		RUNNER, DRIP TRAY - RH (VGRT)
31	G3009715		VDSC485 DRIP TRAY ASSY
32	G30010697		DRIP TRAY HANDLE ASSY 48
32	G93011461PVD		DRIP TRAY HANDLE ASSY 48 PVD
33	G3009843		SEALED LANDING LEDGE ASSY 48
34	PE050024		OVEN IND. LIGHT (LIGHT HOUSING)
NI	PE050023		OVEN IND. LIGHT (LENS & BEZEL)
35	PB010206		VGSC,VGRC,VGRT TOP BURNER KNOB(BK)
35	PB010207		VGSC,VGRC,VGRT TOP BURNER KNOB(WH)
36	PB010129		THERMOSTAT KNOB XBKX (VDSC)
36	PB010130		THERMOSTAT KNOB XWHX (VDSC)
37	PB010131		SELECTOR KNOB - BK
37	PB010132		SELECTOR KNOB XWHX (VDSC)
38	PA010039		TOP GRILL KNOB XBKX (VGRC) (N/STYLE)

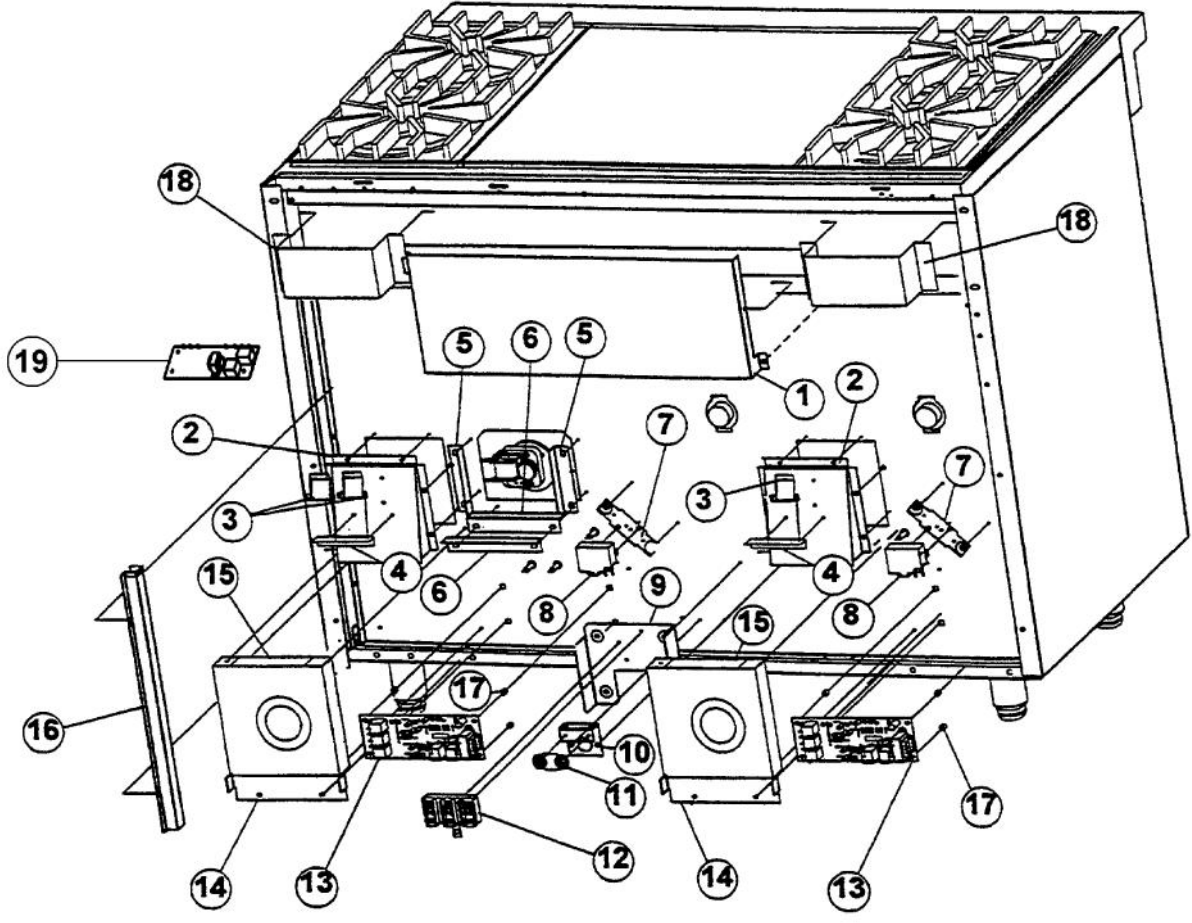
Ref #	Part Number	Qty.	Description
38	PA010039		TOP GRILL KNOXBKX (VGRC) (N/STYLE
	PA010040		TOP GRILL KNOBXWHX (VGRC) (N/STYLE
39	PB010103		GRIDDLE KNOB N/S XBKX
	PB010104		GRIDDLE KNOB N/S XWHX
40	PB020193		16 FLEX TUBING W/CONNECTORS
41	PB020192		10 FLEX TUBING W/CONNECTORS
42	PB020116		TUBING - 10 FLEXIBLE 12 & 24
NI	PB020127		3/8" S.S. FLEX TUBING 20" (DGCU)
43	PA080075		BODY BURNER D (VDSC3074BSS)
44A	PE070458		6 POINTS SPARK MODULE ASSY (USED ON 6G)
	PA020048		INVENSYS 0+6 RE-IGNITION SPARK MODULE (USED ON 6G)
44B	PE070458		6 POINTS SPARK MODULE ASSY (USED ON 6Q)
	PA020048		INVENSYS 0+6 RE-IGNITION SPARK MODULE (USED ON 6Q)
	PA020037		SINGLE MODULE 120V (USED ON 6Q)
44C	PA020047		INVENSYS 0+4 RE-IGNITION SPARK MODULE (USED ON 4G)
	PE070566		4 POINTS SPARK MODULE ASSY (USED ON 4G)
44D	PA020048		INVENSYS 0+6 RE-IGNITION SPARK MODULE (USED ON 4GQ)
	PE070458		6 POINTS SPARK MODULE ASSY (USED ON 4GQ)
45	PE050016		OVEN LIGHT SWITCH - XBKX (WES-GAR)
	PE050017		OVEN LIGHT SWITCH - XWHX (WES-GAR)
46	PA020015		SPARK IGNITION SWITCH
NI	G50013878		VDSC487-4G BURNER SUPPORT SERVICE KIT
NI	G50013885		VDSC487-4Q BURNER SUPPORT SERVICE KIT
NI	G50013886		VDSC487-4GQ BURNER SUPPORT SERVICE KIT
NI	G50013887		VDSC487-6G BURNER SUPPORT SERVICE KIT
NI	G50013888		VDSC487-6Q BURNER SUPPORT SERVICE KIT
NI	019503-000	1	48 CURB BASE KIT



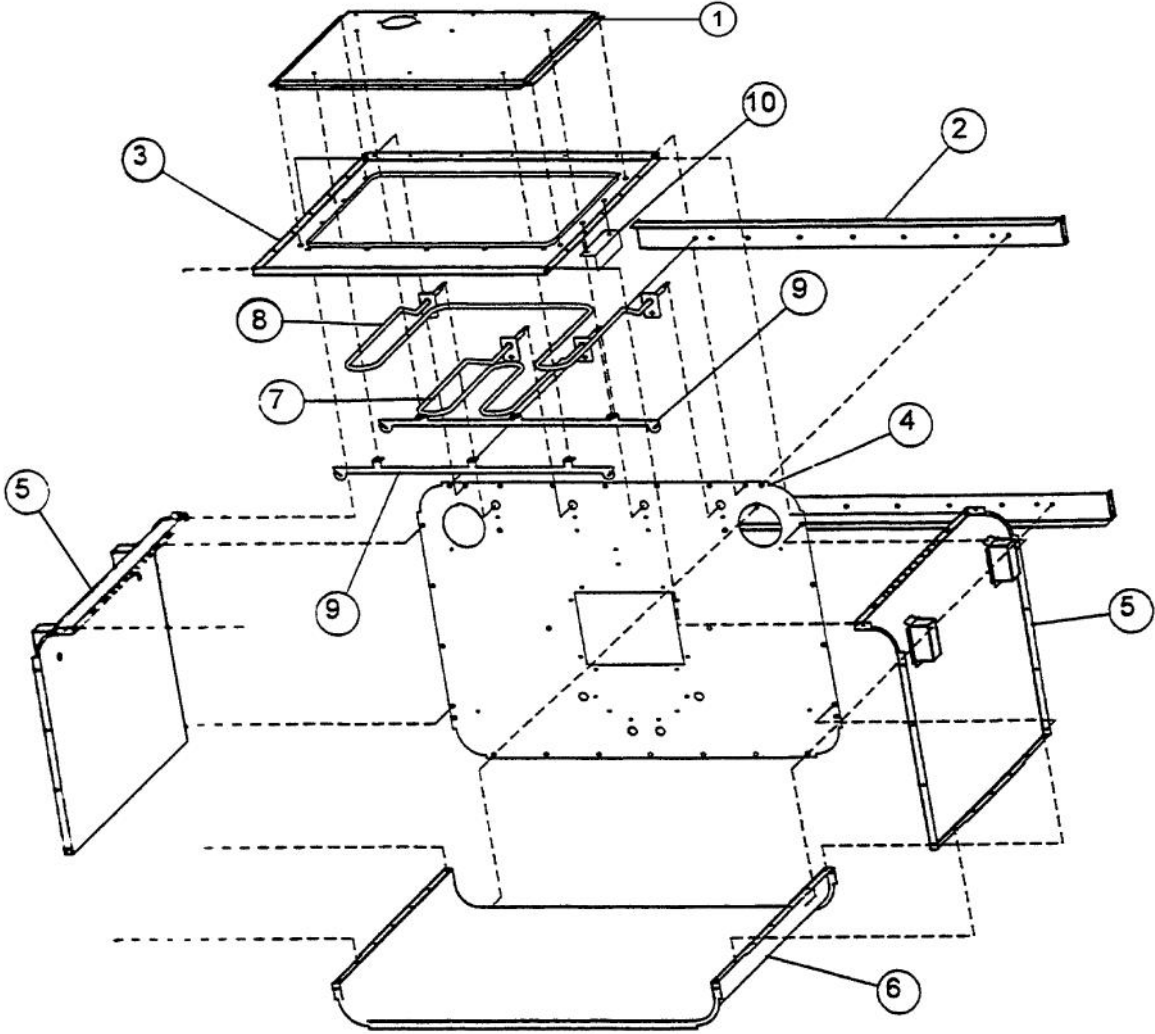
Ref #	Part Number	Qty.	Description
1	PD030005		SELF RETAINING NUT
2	B2007870		IC SEALED LH SIDE PANEL
	C9007870AL		IC SEALED LH SIDE PANEL XALX
	C9007870BK		IC SEALED LH SIDE PANEL XBKX
	C9007870BT		IC SEALED LH SIDE PANEL XBTX
	C9007870BU		IC SEALED LH SIDE PANEL XBUX
	C9007870CB		IC SEALED LH SIDE PANEL XCBX
	C9007870EP		IC SEALED LH SIDE PANEL XEPX
	C9007870FG		IC SEALED LH SIDE PANEL XFGX
	C9007870GG		IC SEALED LH SIDE PANEL XGGX
	C9007870LE		IC SEALED LH SIDE PANEL XLEX
	C9007870MJ		IC SEALED LH SIDE PANEL XMJX
	C9007870SG		IC SEALED LH SIDE PANEL XSGX
	C9007870VB		IC SEALED LH SIDE PANEL XVBX
	C9007870WH		IC SEALED LH SIDE PANEL XWHX
3	J2002593		OVEN SIDE HEAT SINK
4	B2007869		IC SEALED RH SIDE PANEL
	C9007869AL		IC SEALED RH SIDE PANEL XALX
	C9007869BK		IC SEALED RH SIDE PANEL XBKX
	C9007869BT		IC SEALED RH SIDE PANEL XBTX
	C9007869BU		SEALED RH SIDE PANEL XBUX
	C9007869CB		IC SEALED RH SIDE PANEL XCBX
	C9007869EP		IC SEALED RH SIDE PANEL XEPX
	C9007869FG		IC SEALED RH SIDE PANEL XFGX
	C9007869GG		IC SEALED RH SIDE PANEL XGGX
	C9007869LE		IC SEALED RH SIDE PANEL XLEX
	C9007869MJ		IC SEALED RH SIDE PANEL XMJX
	C9007869SG		IC SEALED RH SIDE PANEL XSGX
	C9007869VB		IC SEALED RH SIDE PANEL XVBX
	C9007869WH		IC SEALED RH SIDE PANEL XWHX
5	PJ010003		CONVECTION ELEMENT (VDSC) 240V
6	PJ010004		BAKE ELEMENT (VDSC) 240V
7	PJ010005		BAKE ELEMENT LH VDSC-48 240V
8	A2002451		FRONT RELAY BRKT (VDSC)
9	PM010026		No.1 RELAY(DBL POLE/SNGL THROW)
10	PD040005		SNAP BUSHING - 7/8
11	E9102170		CONVECTION FAN COVER
12	PJ010007		PROOF ELEMENT LH VDSC-48



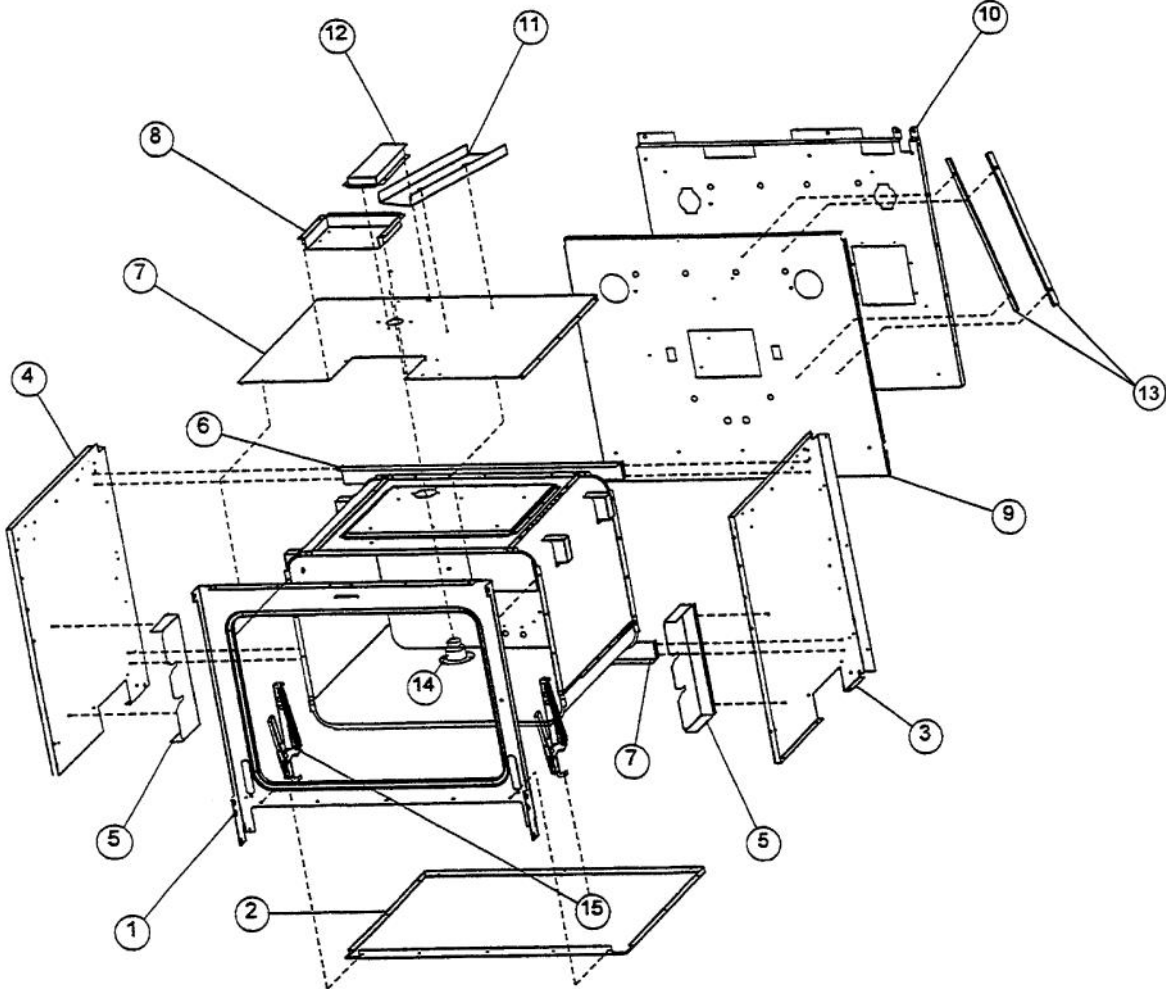
Ref #	Part Number	Qty.	Description
1	PJ030005		SWITCH (HIGH-LIMIT) VDSC
2	PJ030006		SWITCH (COOLING FAN)
3	A1002456		THERMO-DISC BRKT (VDSC)
4	PE050053		DR LATCH REPL PE050020
5	PE050009		OVEN LIGHT SOCKET - 36 BUILT-IN
6	A2002475		SIDE PANEL DIVERTER (VDSC)
7	PE050005		CONVECTION FAN ASSY
8	A2002595		CONVECTION FAN BOX (VDSC)
9	PD020003		NO.10 X 1/2 T(A) HEX WASHER HEAD
10	A1002596		CONVECTION FAN COVER (VDSC)
11	PE050035		CONVECTION FAN BLADE
12	A2002501		BTM INSULATION SHIELD (VDSC48)
13	PD030029		SELF RETAINING NUT (1/4-20)
14	A2002482		LEG BRACE (VDSC)
15	PC030007		LEG PLATE - 3/4 THREADED HOLE
16	A2002500		MAIN BTM (VDSC485)
17	PD010006		HEX HD. BOLT - 1/4-20 X 1/2
18	PC030017		4 LEG ASSY



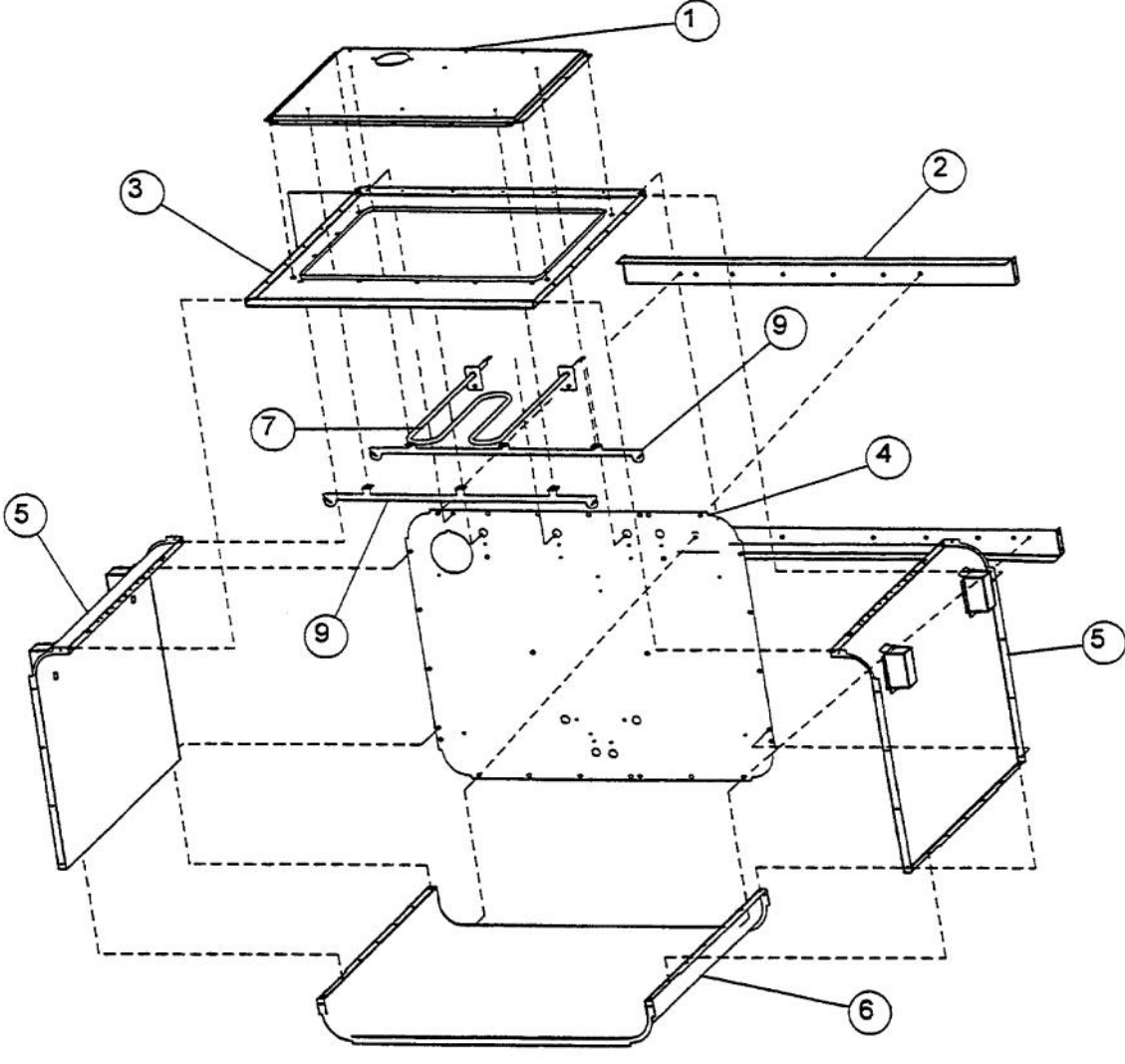
Ref #	Part Number	Qty.	Description
1	A2002537		OVEN FLUE LH (VDSC48)
2	A2002180		COOLING FAN HOUSING (VDSC)
3	PM010025		RELAY (DOUBLE POLE-DOUBLE THROW)
4	A2007827		RELAY MOUNTING BRACKET
5	A2001746		FAN INSUL. SHIELD - SIDE
6	A2001745		FAN INSUL. SHIELD - UPPER / LOWER
7	A1002456		THERMO-DISC BRKT (VDSC)
8	PJ030002		AUTO RESET (SELF-CLEAN) VDSC
9	A2002193		ELECTRICAL MOUNTING BRKT (VDSC)
10	A2002195		POWER CORD MOUNTING BRKT (VDSC)
11	A1002457		POWER CORD MOUNTING STRAP (VDSC)
12	PE070147		TERMINAL BLOCK
13	PE070148		SELF-CLEAN BOARD/TIMER (VDSC)
14	A2002579		WIRE SHIELD (VDSC)
15	PE050026		COOLING FAN (VDSC)
16	A2000210		WIRE CHANNEL
17	PD030033		GROMMET NUT-ROUND HD. NO.8 X .500DIA.
18	A2002801		SPARK MODULE PLATE (VDSC36/48)
19	G5007606		PRE-HEAT BOARD KIT (RANGE)
			(BEFORE 03/04/03)
	PE070308		PRE-HEAT BOARD
			(AFTER 03/04/03)
NI	PE070321		RANGE PREHEAT HARNESS
			(AFTER 03/04/03)



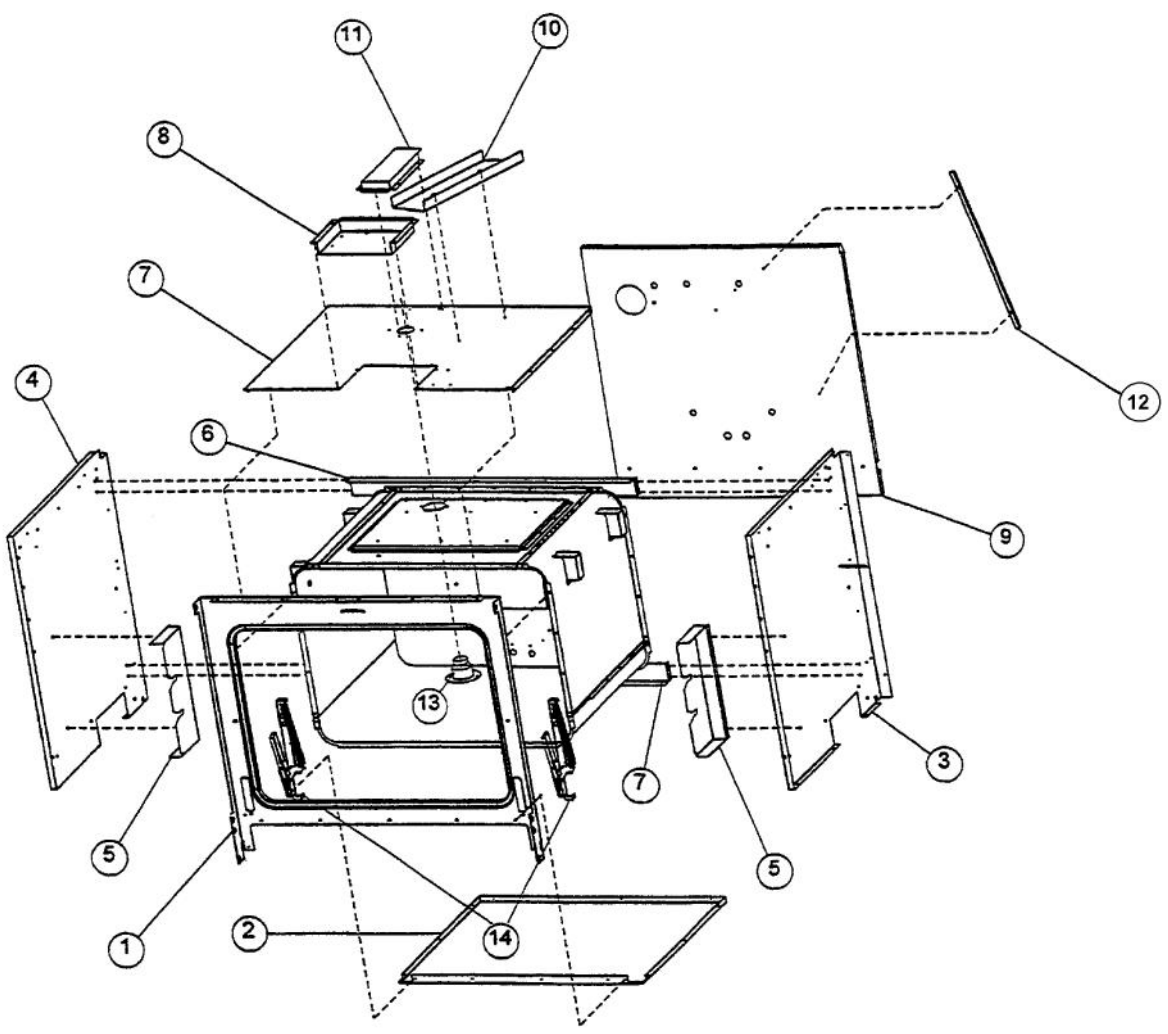
Ref #	Part Number	Qty.	Description
1	B2002167		BROILER TOP (VDSC)
2	A2002158		REAR OVEN SUPT (VDSC)
3	G9102737		OVEN TOP ASSY (VDSC30)
4	E9102741		OVEN BACK (VDSC30)
5	G9102736		OVEN SIDE ASSY (VDSC)
6	E9102152		OVEN BTM (VDSC)
7	PJ010001		BROIL ELEMENT 240V
8	PJ010002		BROIL ELEMENT(MAXI)-SIDE (VDSC)240V
9	B2002185		BROIL ELEMENT BRKT (VDSC)
NI	PD020003		NO.10 X 1/2 T(A) HEX WASHER HEAD
NI	PD020048		NO.10 X 1/2 TEK 410 SS SCREW
10	B2002489		THERMAL BULB SHIELD (VDSC)



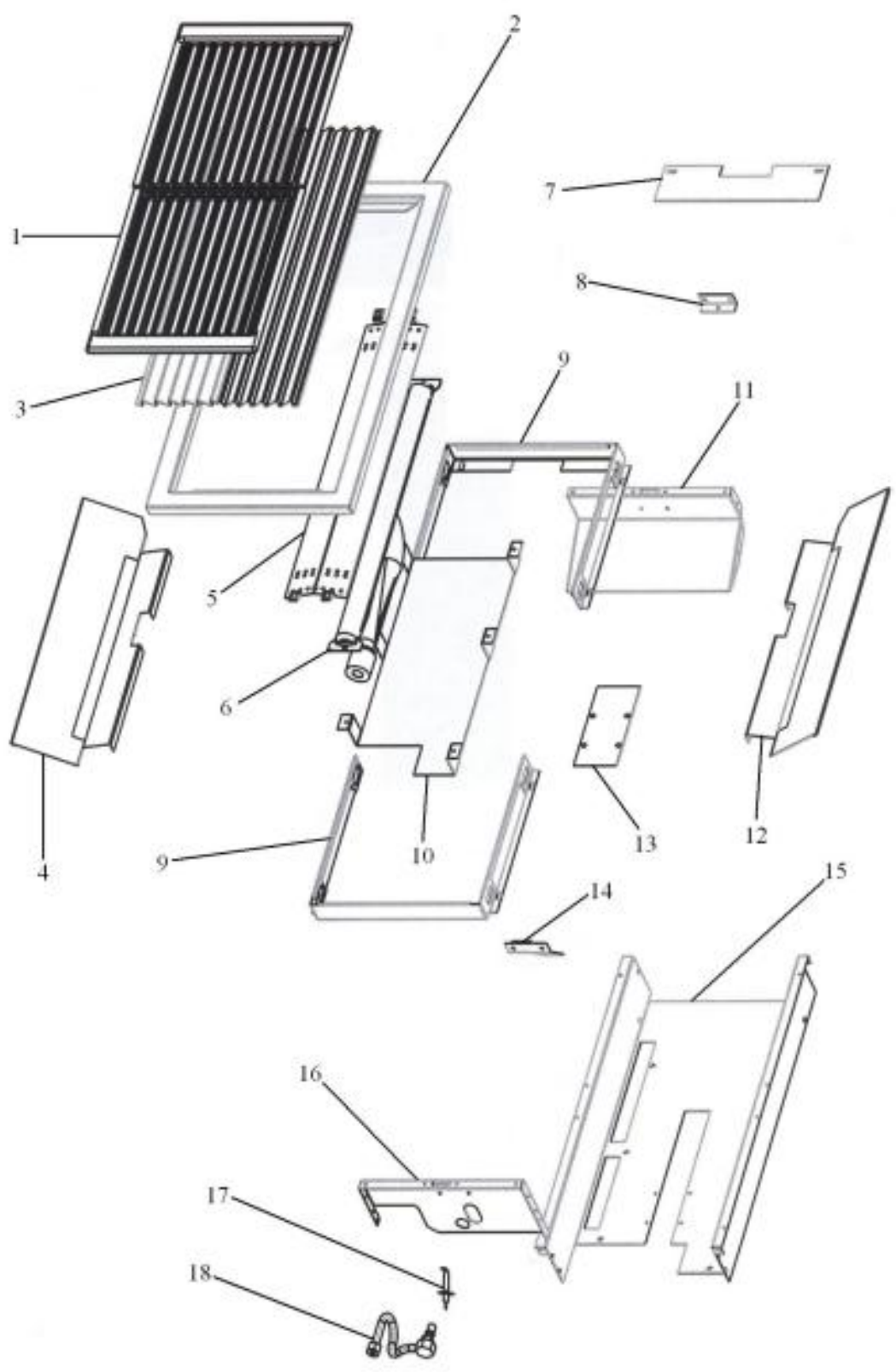
Ref #	Part Number	Qty.	Description
1	G9102521		FRONT FRAME ASSY RH (VDSC48)
2	A2002157		OVEN BTM INSUL.RETAINER (VDSC)
3	A2002546		SIDE INSULATION RETAINER RH VDSC
4	A2002524		CENTER INSUL RETAINER RH (VDSC4
5	A2002183		HINGE INSULATION COVER (VDSC)
6	A2002158		REAR OVEN SUPT (VDSC)
7	A2002160		OVEN TOP INSUL.RETAINER (VDSC)
8	A2002168		DOOR LATCH BRKT (VDSC)
9	A2002476		OVEN BACK INSULATION RETAINER (VDSC
10	A2002534		O/S BACK PANEL (VDSC48)
11	A2002450		LATCH COOLING DUCT (VDSC)
12	A2002479		SMOKE ELIMINATOR VENT (VDSC)
13	A2002477		AIR WASH ANGLE (VDSC)
14	PM010014		SMOKE ELIMINATOR (VDSC)
15	PC020009		HINGE ASSY (BROWN)



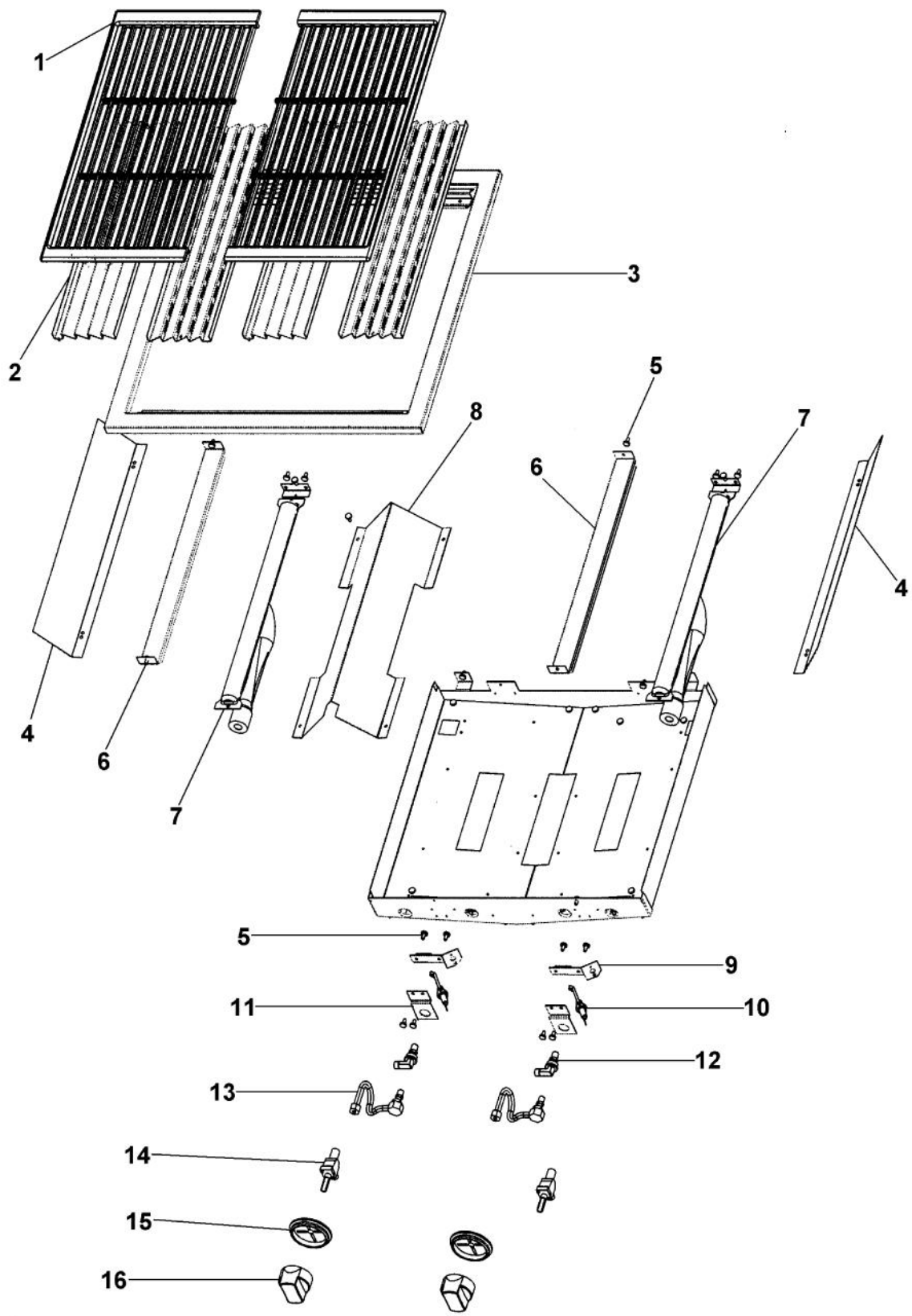
Ref #	Part Number	Qty.	Description
1	B2002514		BROILER TOP (VDSC48-LH)
2	A2002517		REAR OVEN SUPT (VDSC48)
3	E9102513		OVEN TOP LINER LH (VDSC48)
4	E9102516		OVEN BACK LINER LH (VDSC48)
5	G9102736		OVEN SIDE ASSY (VDSC)
6	E9102464		OVEN BTM LINER LH (VDSC48)
7	PJ010001		BROIL ELEMENT 240V
8	B2002515		BROIL ELEMENT BRKT LH (VDSC48)
NI	PD020003		NO.10 X 1/2 T(A) HEX WASHER HEAD
NI	PD020048		NO.10 X 1/2 TEK 410 SS SCREW



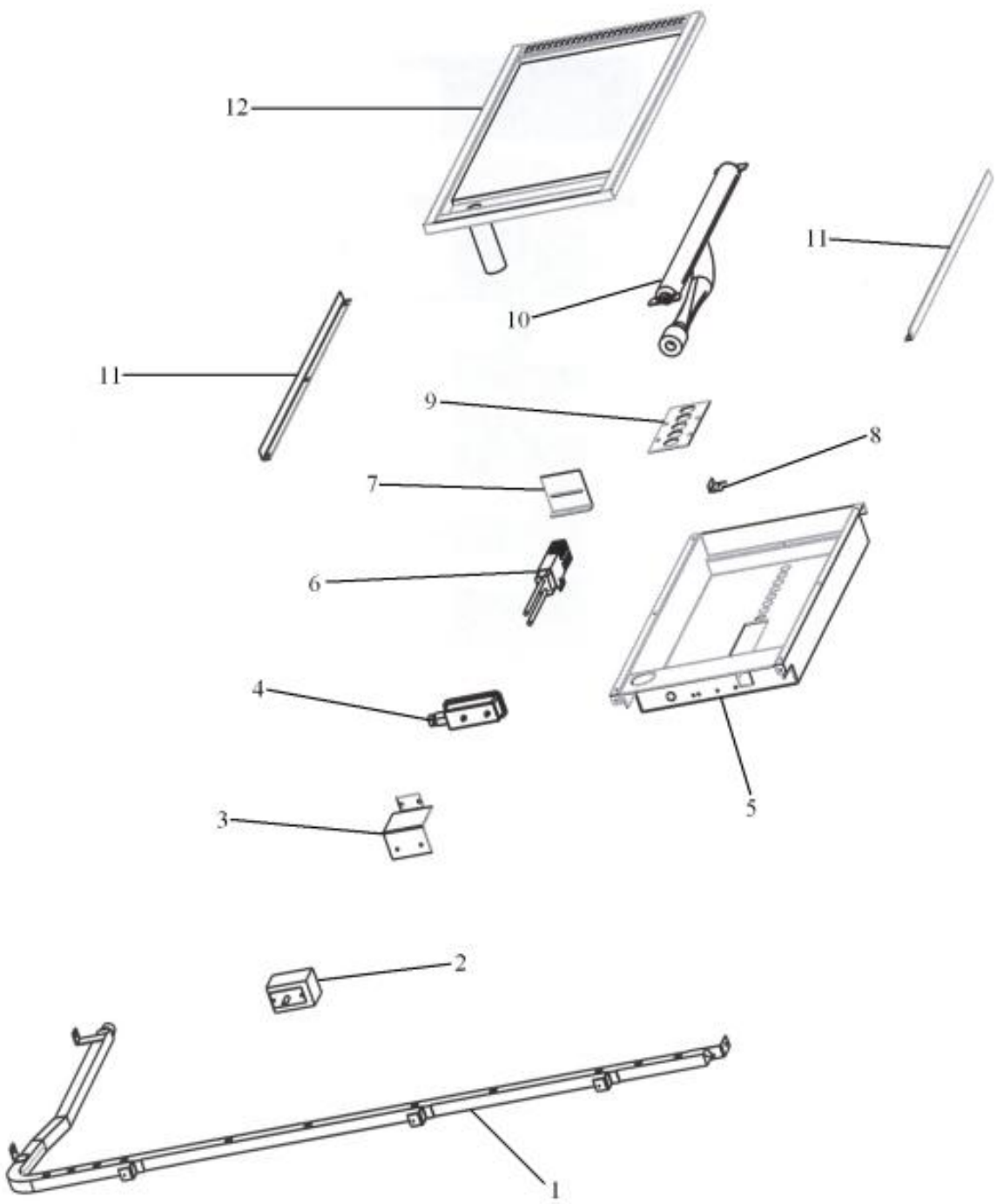
Ref #	Part Number	Qty.	Description
1	G9102518		FRONT FRAME ASSY LH (VDSC48)
2	A2002523		OVEN BOT.INSUL RETAINER LH (VDSC48)
3	A2002525		CENTER INSUL RETAINER LH (VDSC4)
4	A2002547		SIDE INSULATION RETAINER LH VDSC
5	A2002183		HINGE INSULATION COVER (VDSC)
6	A2002517		REAR OVEN SUPT (VDSC48)
7	A2002522		OVEN TOP INSUL RETAINER LH (VDSC48)
8	A2002168		DOOR LATCH BRKT (VDSC)
9	A2002527		OVEN BACK INSUL RET. LH (VDSC48)
10	A2002450		LATCH COOLING DUCT (VDSC)
11	A2002536		SMOKE ELIMINATOR VENT LH (VDSC48)
12	A2002477		AIR WASH ANGLE (VDSC)
13	PM010014		SMOKE ELIMINATOR (VDSC)
14	PC020003		HINGE ASSY (BLUE)



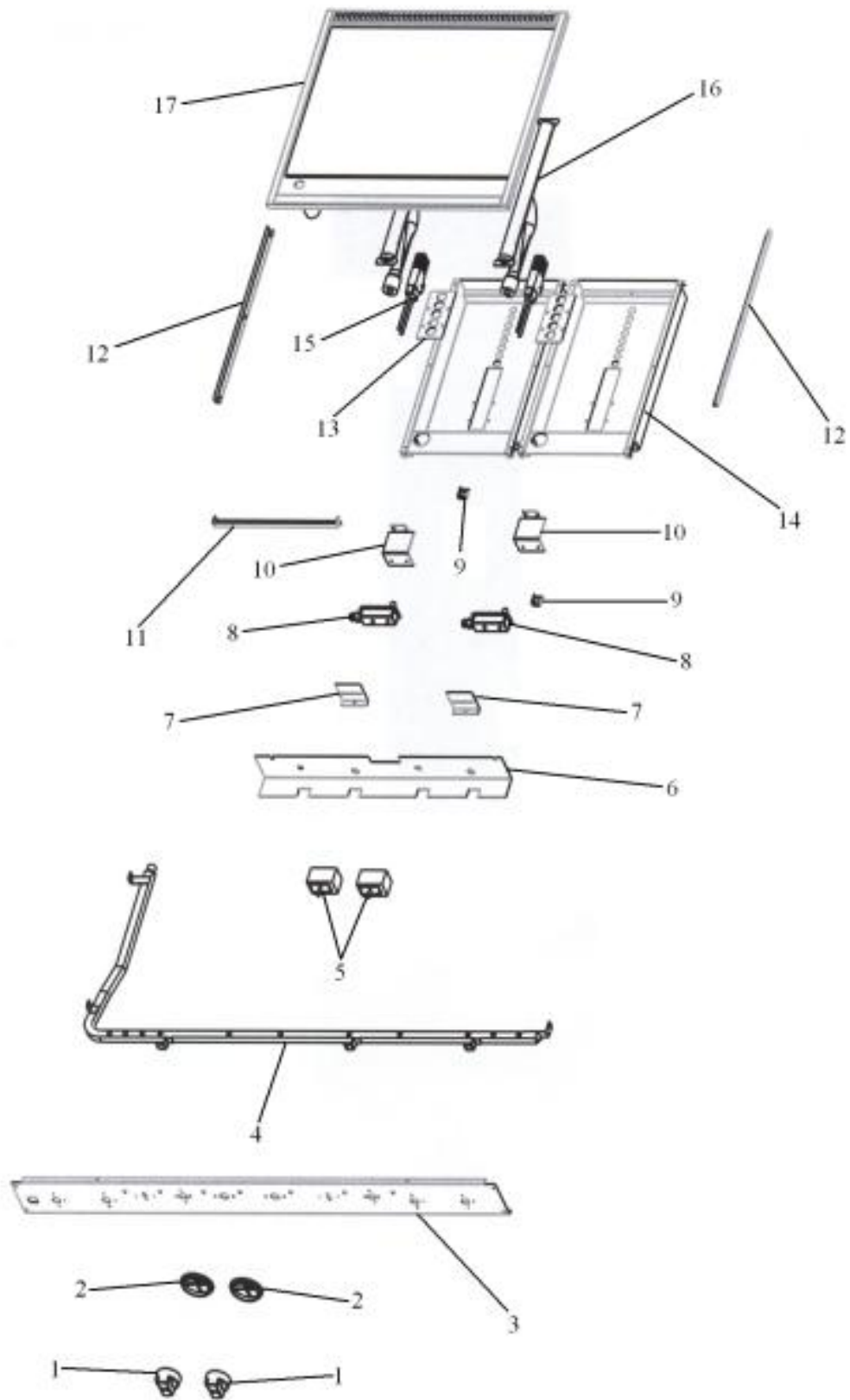
Ref #	Part Number	Qty.	Description
1	PA060058 PA060029		GRILL GRATE - MATT XBKX RE PA060028 GRILL GRATE - GR
2	G9109811AL G9109811 G9109811BT G9109811CB G9109811EP G9109811FG G9109811GG G9109811LE G9109811MJ G9109811SG G9109811VB G9109811WH		GRILL SUPPORT ASSEMBLY - AL GRILL SUPT ASSY XBKX GRILL SUPPORT ASSEMBLY - BT GRILL SUPPORT ASSEMBLY - CB GRILL SUPPORT ASSEMBLY - EP GRILL SUPPORT ASSEMBLY - FG GRILL SUPPORT ASSEMBLY - GG GRILL SUPPORT ASSEMBLY - LE GRILL SUPPORT ASSEMBLY - MJ GRILL SUPPORT ASSEMBLY - SG GRILL SUPPORT ASSEMBLY - VB GRILL SUPT ASSY XWHX
3	E9109810		FLAVOR GRID
4	B2009846		HEAT DEFLECTOR
5	B2009866		SEALED FLAME SHIELD
6	PB050008		GRILL BURNER
7	A10010162		SHIELD BRACE
8	A2001132		REAR GRILL BURNER BRKT (VGRT)
9	A2007871		SHIELD GRATE BRACKET
10	A2001863		GRILL BTM SHIELD (VGRC605)
11	A2001855		GRILL BACK - (VGRC605)
12	B20010163		HEAT DEFLECTOR
13	A1001636		GRIDDLE VENTURI COVER
14	A2001633		GRILL FRONT SPARKER BRKT (VGRC)
15	A2007863		GRILL BOX
16	A2001631		GRILL BOX FRONT (VGRC)
17	PA020014		SPARK IGNITOR
18	PB020025		TUBING-GRILL (REVISED) REP PB020021



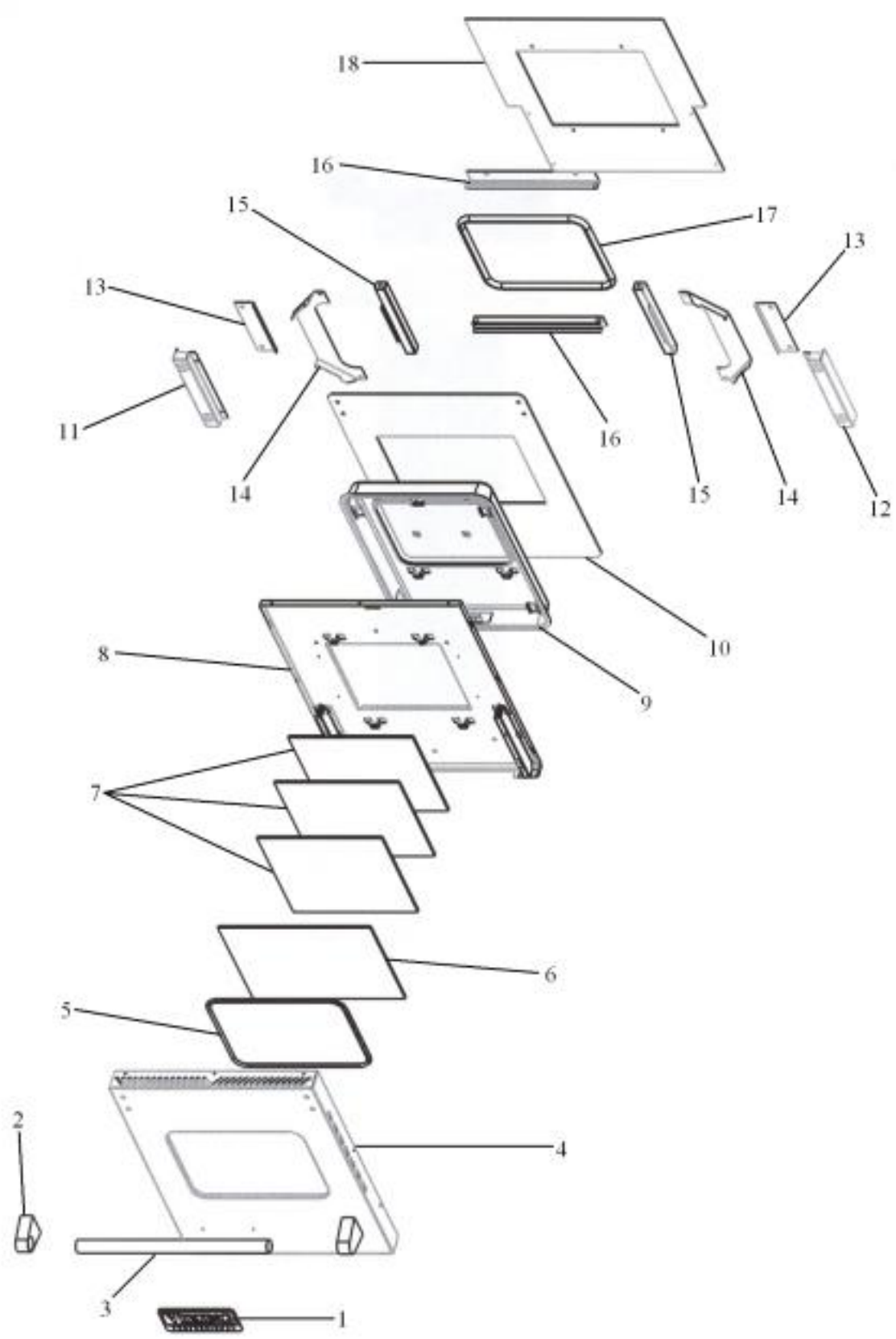
Ref #	Part Number	Qty.	Description
1	PA060080 PA060081		24 GRILL GRATE XBLACKX GRILL GRATE - GR
2	E9101130BK		GRILL SMOKE GENERATOR
3	G91010148BK G91010148AL G91010148BT G91010148CB G91010148EP G91010148FG G91010148GG G91010148LE G91010148MJ G91010148SG G91010148VB G91010148WH		SEALED 24 GRILL FRAME ASSY. BK GRILL GRATE SUPPORT - AL GRILL GRATE SUPPORT - BT GRILL GRATE SUPPORT - CB GRILL GRATE SUPPORT - EP GRILL GRATE SUPPORT - FG GRILL GRATE SUPPORT - GG GRILL GRATE SUPPORT - LE GRILL GRATE SUPPORT - MJ GRILL GRATE SUPPORT - SG GRILL GRATE SUPPORT - VB SEALED 24 GRILL FRAME ASSY. WH
4	A2009544		SIDE SHIELD, VGIC245Q
5	PD020002		10 X 1/2 PH.TR.HD.SMS.
6	B2008484		24 GRILL FLAME SHIELD
7	PB050077		GRILL BURNER
8	B2008483		24 GRILL DRIP COVER
9	A2009781		GRILL BURNER BRACKET
10	PB040160		WOK IGNITER
11	A2008481		24 GRILL ORIFICE BRACKET
12	PB040190		90 DEGREE ORIFICE FITTING NO.50 NAT
13	PB020025		TUBING-GRILL (REVISED) REP PB020021
14	G50012686 PA010158		CHAR-GRILL VALVE KIT (BEFORE 4/20/05) (BEFORE 4/20/05) SUB TO 003517-000 - SEALED BURNER FLARE VALVE (AFTER 4/20/05)
15	PB010208 PB010209		BEZEL, CHROME PLATE BEZEL BRASS
16	PA010039 PA010040		TOP GRILL KNOXBKX (VGRC) (N/STYLE) TOP GRILL KNOBXWHX (VGRC) (N/STYLE)



Ref #	Part Number	Qty.	Description
1	PA050115		UNIVERSAL 48 MANIFOLD
2	PB010264		GRIDDLE THERMOSTAT
3	A2007867		VALVE BRACKET
4	PB010004		SINGLE SAFETY VALVE (NAT. GRIDDLE)
5	A2007862		GRIDDLE BOX (VGIC3674G)
6	PB040001		IGNITOR - (ALL RANGES)
7	A2009580		GRIDDLE BURNER BRACKET
8	A2001300		GRIDDLE IGNITOR BRKT
9	A1007861		GRIDDLE VENTURI COVER IC36
10	PB050074		SEALED GRIDDLE BURNER
11	A20010657		GRIDDLE BOX FLANGE
12	G3009156		GRIDDLE ASSEMBLY

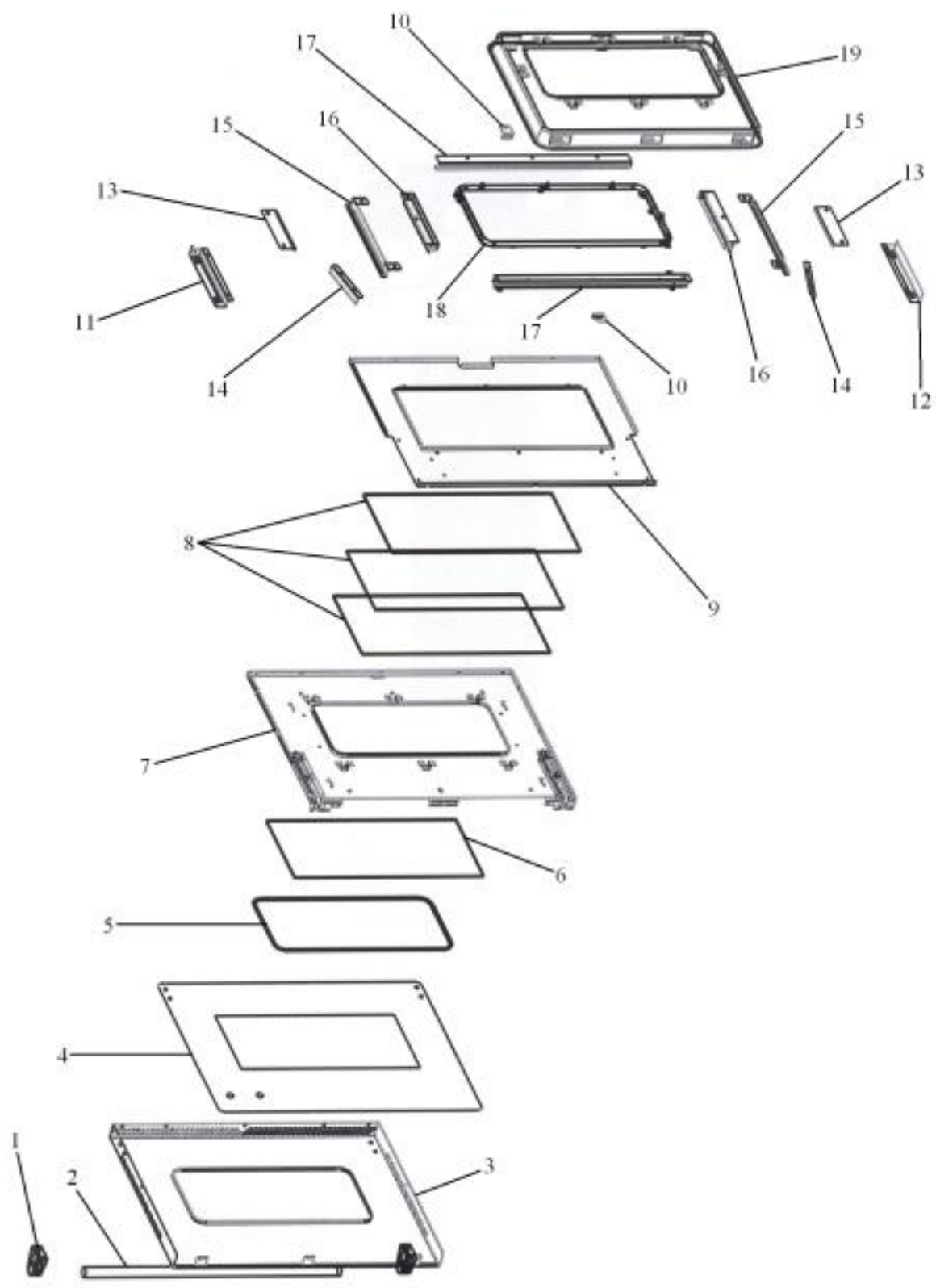


Ref #	Part Number	Qty.	Description
1	PB010103		GRIDDLE KNOB N/S XBKX
	PB010104		GRIDDLE KNOB N/S XWHX
2	PB010208		BEZEL, CHROME PLATE
	PB010209		BEZEL BRASS
3	B92011236		VDSC487 CONTROL PANEL (4G)
4	PA050115		UNIVERSAL 48 MANIFOLD
5	PB010264		GRIDDLE THERMOSTAT
6	A20010646		COMPONENT SHIELD - 48
7	A2009580		GRIDDLE BURNER BRACKET
8	PB010004		SINGLE SAFETY VALVE (NAT. GRIDDLE)
9	A2001300		GRIDDLE IGNITOR BRKT
10	A2007867		VALVE BRACKET
11	A2007866		GRIDDLE FLUE COVER (VGIC3674G)
12	A20010657		GRIDDLE BOX FLANGE
13	A1007861		GRIDDLE VENTURI COVER IC36
14	A2007862		GRIDDLE BOX (VGIC3674G)
15	PB040001		IGNITOR - (ALL RANGES)
16	PB050074		SEALED GRIDDLE BURNER
17	G3009847		SEALED GRIDDLE ASSEMBLY



Ref #	Part Number	Qty.	Description
1	PE010030		LOGO, 6, PRO, BK
	PE010031		LOGO 6 (VGRC) XBK/WHX
	PE010068		LOGO, 6, PRO, BK/BR
	PE010076		LOGO 6 (VGRC) XBR/WHX
2	PE030001		BRACKET, DOOR, HANDLE
	PE030001PVD		END CAP DOOR HANDLE XBR
3	PE030008		DOOR HANDLE - LH 48VGRC
	PE030014PVD		DOOR HANDLE - LH - (48) PVD
4	B2002504		O/S DOOR PANEL LH XSSX (VDSC48)
	C9002504AL		O/S DOOR PANEL-LH XALX (VDSC48)
	C9002504BK		O/S DOOR PANEL-LH XBKX (VDSC48)
	C9002504BT		O/S DOOR PANEL-LH XBTX (VDSC48)
	C9002504BU		O/S DOOR PANEL-LH XBUX (VDSC48)
	C9002504CB		O/S DOOR PANEL-LH XCBX (VDSC48)
	C9002504EP		O/S DOOR PANEL-LH XEPX (VDSC48)
	C9002504FG		O/S DOOR PANEL-LH XFGX (VDSC48)
	C9002504GG		O/S DOOR PANEL-LH XGGX (VDSC48)
	C9002504LE		O/S DOOR PANEL-LH XLEX (VDSC48)
	C9002504MJ		O/S DOOR PANEL-LH XMJX (VDSC48)
	C9002504SG		O/S DOOR PANEL-SG XSGX (VDSC48)
	C9002504VB		O/S DOOR PANEL-LHXVBX (VDSC48)
	C9002504WH		O/S DOOR PANEL-LH XWHX (VDSC48)
5	PE060046		J-MOLD LH SS (DF48 DOOR)
	PE060048		J-MOLD LH XBRX (DF48 DOOR)
6	PE060049		GLASS LH XTEX DF48DOOR
7	PE060032		GLASS (HEAT BARRIER) LH DF48DOOR
8	H9102502		OVEN DR LINER ASSY LH (VDSC48)
9	H9102507		DOOR PLUG ASSY LH (VDSC48)
10	J1002506		OVEN DR HEAT SINK LH (VDSC48)
11	A2002499		HINGE POCKET COVER LH
12	A2002498		HINGE POCKET COVER RH
13	A2002189		DOOR GLASS STANDOFF (VDSC)
14	E9102668		WINDOW BRKT (O/S DOOR GLASS)
15	E9102822		SUB TO E9108203
16	E9108202		WINDOW LINER TOP/BTM 48 LH ONLY
17	PB070150		FIBERGLASS ROPE, 3/8 DIA.
18	J1004499		DOOR HEAT SINK (INNER)
NI	PB070041		SUB TO 000623-000 - DOOR GASKET(3/8DIA.) (VDSC)
NI	PB070076		WOOL INSULATION 1 X 21 X 3'
NI	G3202509AL		DOOR SUB-ASSY- LH XALX (VDSC48)
	G3202509ALBR		DOOR SUB-ASSY- LH XALXXBRX(VDSC48)
	G3202509BK		DOOR SUB-ASSY- LH XBKX (VDSC48)
	G3202509BKBR		DOOR SUB-ASSY- LH XBKXXBRX (VDSC48)
	G3202509BT		DOOR SUB-ASSY-LH XBTX (VDSC48)
	G3202509BTBR		DOOR SUB-ASSY- LH XBTXXBRX(VDSC48)
	G3202509BU		DOOR SUB-ASSY- LH XBUX (VDSC48)
	G3202509BUBR		DOOR SUB-ASSY LH XBUXXBRX (VDSC48)
	G3202509CB		DOOR SUB-ASSY-LH XCBX (VDSC48)
	G3202509CBBR		DOOR SUB-ASSY- LH XCBXXBRX(VDSC48)
	G3202509EP		DOOR SUB-ASSY- LH XEPX (VDSC48)
	G3202509EPBR		DOOR SUB-ASSY- LH XEPXXBRX(VDSC48)
	G3202509FG		DOOR SUB-ASSY- LH XFGX (VDSC48)
	G3202509FGBR		DOOR SUB-ASSY- LH XFGXXBRX (VDSC48)
	G3202509GG		DOOR SUB-ASSY- LH XGGX (VDSC48)
	G3202509GGBR		DOOR SUB-ASSY- LH XGGXBRX (VDSC48)
	G3202509LE		DOOR SUB-ASSY- LH XLEX (VDSC48)
	G3202509LEBR		DOOR SUB-ASSY- LH XLEXXBRX(VDSC48)
	G3202509MJ		DOOR SUB-ASSY- LH XMJX (VDSC48)
	G3202509MJBR		DOOR SUB-ASSY- LHXMJXXBR(VDSC48)
	G3202509SG		DOOR SUB-ASSY- LH XSGX (VDSC48)

Ref #	Part Number	Qty.	Description
	G3202509SG		DOOR SUB-ASSY- LH XSGX (VDSC48)
	G3202509SGBR		DOOR SUB-ASSY- LH XSGXXBRX(VDSC48)
	G3202509SS		DOOR SUB-ASSY- LH XSSX (VDSC48)
	G3202509SSBR		DOOR SUB-ASSY- LH XSSXXBRX (VDSC48)
	G3202509VB		DOOR SUB-ASSY- LH XVBX (VDSC48)
	G3202509VBBR		DOOR SUB-ASSY- LH XVBXXBRX (VDSC48)
	G3202509WH		DOOR SUB-ASSY- LH XWHX (VDSC48)
	G3202509WHBR		DOOR SUB-ASSY- LH XWHXXBRX (VDSC48)



Ref #	Part Number	Qty.	Description
1	PE030001		BRACKET, DOOR, HANDLE
	PE030001PVD		END CAP DOOR HANDLE XBR
2	PE030005		DOOR HANDLE - VGSC30/RC60/RC48RH
	PE030012PVD		DOOR HANDLE - RH - (30/48) PVD
3	B2002528		O/S DOOR PANEL RH XSSX (VDSC48)
	C9002528AL		O/S DOOR PANEL-RH XALX (VDSC48)
	C9002528BK		O/S DOOR PANEL-RH XBKX (VDSC48)
	C9002528BT		O/S DOOR PANEL-RH XBTX (VDSC48)
	C9002528BU		O/S DOOR PANEL-RH XBUX (VDSC48)
	C9002528CB		O/S DOOR PANEL-RH XCBX (VDSC48)
	C9002528EP		O/S DOOR PANEL-RH XEPX (VDSC48)
	C9002528FG		O/S DOOR PANEL-RH XFGX (VDSC48)
	C9002528GG		O/S DOOR PANEL-RH XGGX (VDSC48)
	C9002528LE		O/S DOOR PANEL-RH XLEX (VDSC48)
	C9002528MJ		O/S DOOR PANEL-RH XMJX (VDSC48)
	C9002528SG		O/S DOOR PANEL-RH XSGX (VDSC48)
	C9002528VB		O/S DOOR PANEL-RH XVBX (VDSC48)
	C9002528WH		O/S DOOR PANEL-RH XWHX (VDSC48)
4	J1002594		OVEN DR HEAT SINK (VDSC30)
5	PE060031		J-MOLD (LARGE WINDOW)
	PE060045		J-MOLD (LARGE WINDOW) XBRX
6	PE060030		GLASS-OUTER DOOR BK SCREENED,TEMP
7	G9102747		DR LINER ASY(VDSC30/48)REP H9102173
8	PE060064		WINDOW PACK, SELF CLEANING OVEN 30
9	A2002169		DOOR INSULATION RETAINER (VDSC30)
10	A2005669		DOOR GLASS BRACE
11	A2002499		HINGE POCKET COVER LH
12	A2002498		HINGE POCKET COVER RH
13	A2002189		DOOR GLASS STANDOFF (VDSC)
14	A2002497		DOOR GUIDE ANGLE VDSC
15	A2002367		DOOR GLASS BRKT
16	E9102179		WINDOW LINER-SIDE (VDSC)
17	E9102178		WINDOW LINER-TOP/BTM (VDSC)
18	PB070040		FIBERGLASS ROPE
19	G9102745		DR PG ASSY VDSC30/48 RE H9102175
NI	PB070041		SUB TO 000623-000 - DOOR GASKET(3/8DIA.) (VDSC)
NI	PB070076		WOOL INSULATION 1 X 21 X 3'
	G3202549AL		DOOR SUB-ASSY- RH XALX (VDSC48)
	G3202549ALBR		DOOR SUB-ASSY- RH XALXXBRX (VDSC48)
	G3202549BK		DOOR SUB-ASSY- RH XBKX (VDSC48)
	G3202549BKBR		DOOR SUB-ASSY- RH XBKXXBRX (VDSC48)
	G3202549BT		DOOR SUB-ASSY-RH XBTX (VDSC48)
	G3202549BTBR		DOOR SUB-ASSY- RH XBTXXBRX (VDSC48)
	G3202549BU		DOOR SUB-ASSY- RH XBUX (VDSC48)
	G3202549BUBR		DOOR SUB-ASSY- RH XBUXXXBRX (VDSC48)
	G3202549CB		DOOR SUB-ASSY-RH XCBX (VDSC48)
	G3202549CBBR		DOOR SUB-ASSY- RH XCBXXBRX (VDSC48)
	G3202549EP		DOOR SUB-ASSY- RH XEPX (VDSC48)
	G3202549EPBR		DOOR SUB-ASSY-RH XEPXXBRX (VDSC48)
	G3202549FG		DOOR SUB-ASSY- RH XFGX (VDSC48)
	G3202549FGBR		DOOR SUB-ASSY- RH XFGXXBRX (VDSC48)
	G3202549GG		DOOR SUB-ASSY-RH XGGX (VDSC48)
	G3202549GGBR		DOOR SUB-ASSY- RH XGGXXBRX (VDSC48)
	G3202549LE		DOOR SUB-ASSY-RH XLEX (VDSC48)
	G3202549LEBR		DOOR SUB-ASSY- RH XLEXXBRX (VDSC48)
	G3202549MJ		DOOR SUB-ASSY-RH XMJX (VDSC48)
	G3202549MJBR		DOOR SUB-ASSY-RH XMJXXBRX (VDSC48)
	G3202549SG		DOOR SUB-ASSY- RH XSGX (VDSC48)
	G3202549SGBR		DOOR SUB-ASSY- RH XSGXXBRX (VDSC48)
	G3202549SS		DOOR SUB-ASSY- RH XSSX (VDSC48)

Ref #	Part Number	Qty.	Description
	G3202549SS		DOOR SUB-ASSY- RH XSSX (VDSC48)
	G3202549SSBR		DOOR SUB-ASSY- RH XSSXXBRX (VDSC48)
	G3202549VB		DOOR SUB-ASSY- RH XVBX (VDSC48)
	G3202549VBBR		DOOR SUB-ASSY- RH XVBXXBRX (VDSC48)
	G3202549WH		DOOR SUB-ASSY- RH XWHX (VDSC48)
	G3202549WHBR		DOOR SUB-ASSY- RH XWHXXBRX (VDSC48)