

This Owner's Manual is provided and hosted by [Appliance Factory Parts](#).

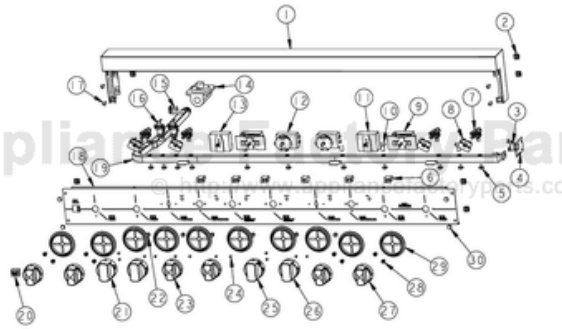


VIKING

VDSC487-4G_AFTER_6-22-06

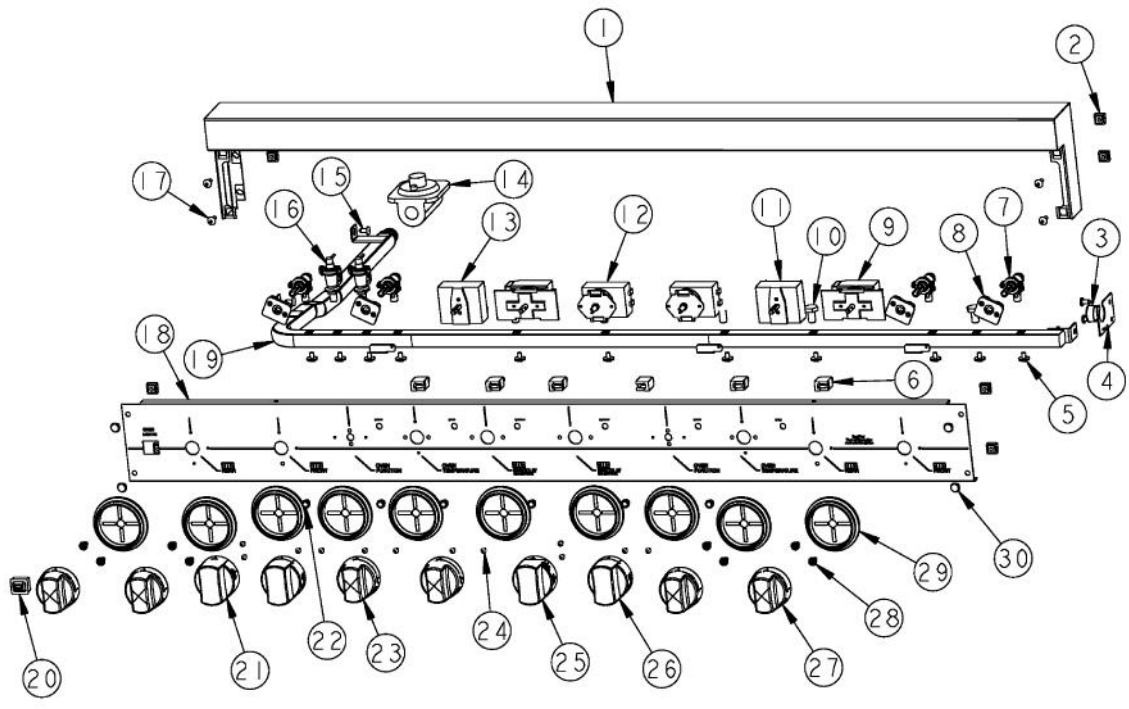
Owner's Manual

[Shop genuine replacement parts for VIKING](#)
[VDSC487-4G_AFTER_6-22-06](#)

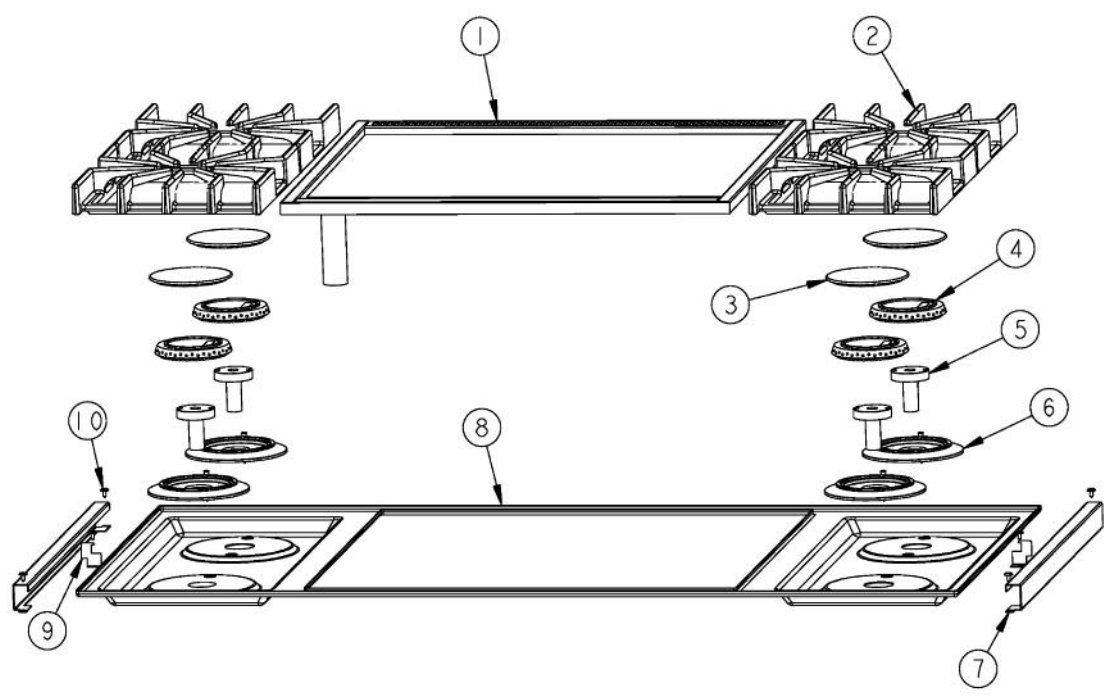


[Find Your VIKING Range Hoods Parts - Select From 411 Models](#)

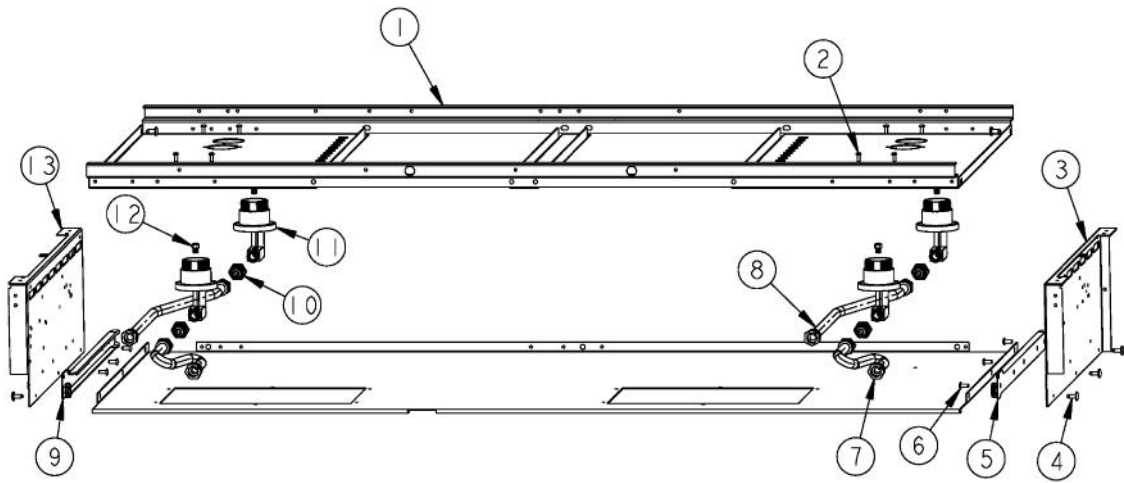
----- Manual continues below -----



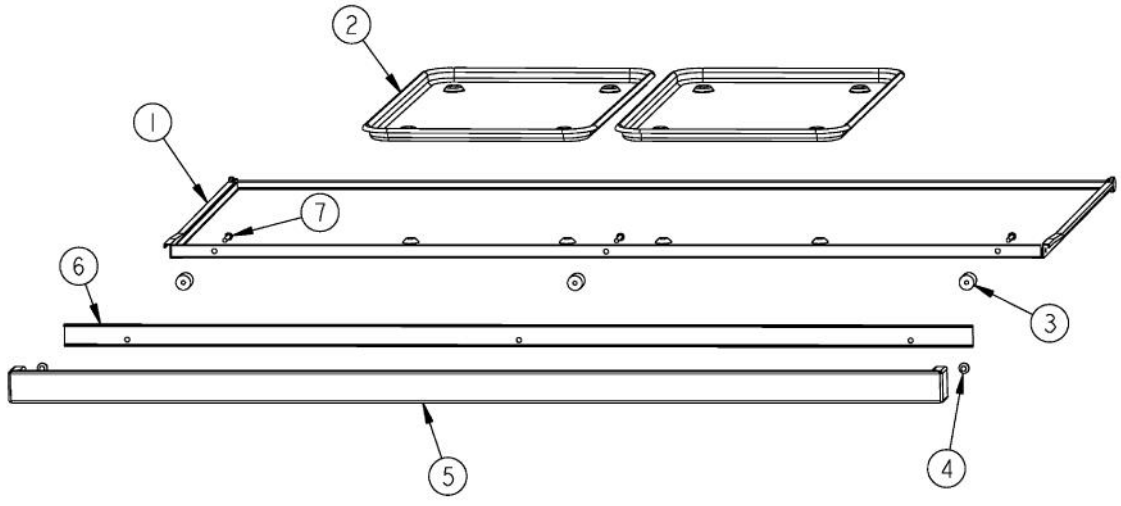
Ref #	Part Number	Qty.	Description
1	G3001168		LANDING LEDGE WELD ASSY - 48
2	PD030005		SELF RETAINING NUT
3	PD040005		SNAP BUSHING - 7/8
4	A1001138		MANIFOLD BRKT
5	PD010012		VALVE BOLT 1/4-20 UNC-2B 5/16 M.S.
6	PE050024		OVEN IND. LIGHT (LIGHT HOUSING)
7	PA010157		SUB TO 003515-000 - RANGE TOP BURNER VALVE
8	PA020045		IGNITOR SWITCH
9	PJ030037		SUB TO PS500033 - SELF CLEAN THERMOSTAT
10	PA010012		ROPER PLUG
11	PJ030001		SELECTOR SWITCH (8-POSITION) VDSC
12	PB010264		GRIDDLE THERMOSTAT
13	PJ030025		5 POS SELECTOR SWITCH
14	PA070001		PRESSURE REGULATOR (NAT.)
15	PD020002		10 X 1/2 PH.TR.HD.SMS.
16	PB030007		SHUT OFF VALVE
17	PD010003		10-24 X 1/2 PH.TR.HD.SERD.M.S.
18	B92015424		VDSC487C-4G CONTROL PANEL
19	PA050115		UNIVERSAL 48 MANIFOLD
20	PE050016		OVEN LIGHT SWITCH - XBKX (WES-GAR)
	PE050017		OVEN LIGHT SWITCH - XWHX (WES-GAR)
21	PB010139		SELECTOR KNOB-5 POS.LH XBKX (VDSC48)
	PB010140		SELECTOR KNOB-5 POS.LH XWHX (VDSC48)
22	PE050023		OVEN IND. LIGHT (LENS & BEZEL)
23	PB010103		GRIDDLE KNOB N/S XBKX
	PB010104		GRIDDLE KNOB N/S XWHX
24	PD020006		NO.6-32 X 1/4 PH.PAN HD. T(F)
25	PB010230		OVEN SELECT. KNOB XBKX VDSC307
	PB010231		OVEN SELECT. KNOB XWHX VDSC307
26	PB010129		THERMOSTAT KNOB XBKX (VDSC)
	PB010130		THERMOSTAT KNOB XWHX (VDSC)
27	PB010206		VGSC,VGRC,VGRT TOP BURNER KNOB(BK)
	PB010207		VGSC,VGRC,VGRT TOP BURNER KNOB(WH)
28	PD020046		NO.8 X 1/2 SCREWS
29	PB010208		BEZEL, CHROME PLATE
	PB010209		BEZEL BRASS
30	PD020033		SRW-NO.10-24X1/2T(23)PH.WFR HD (NKL)



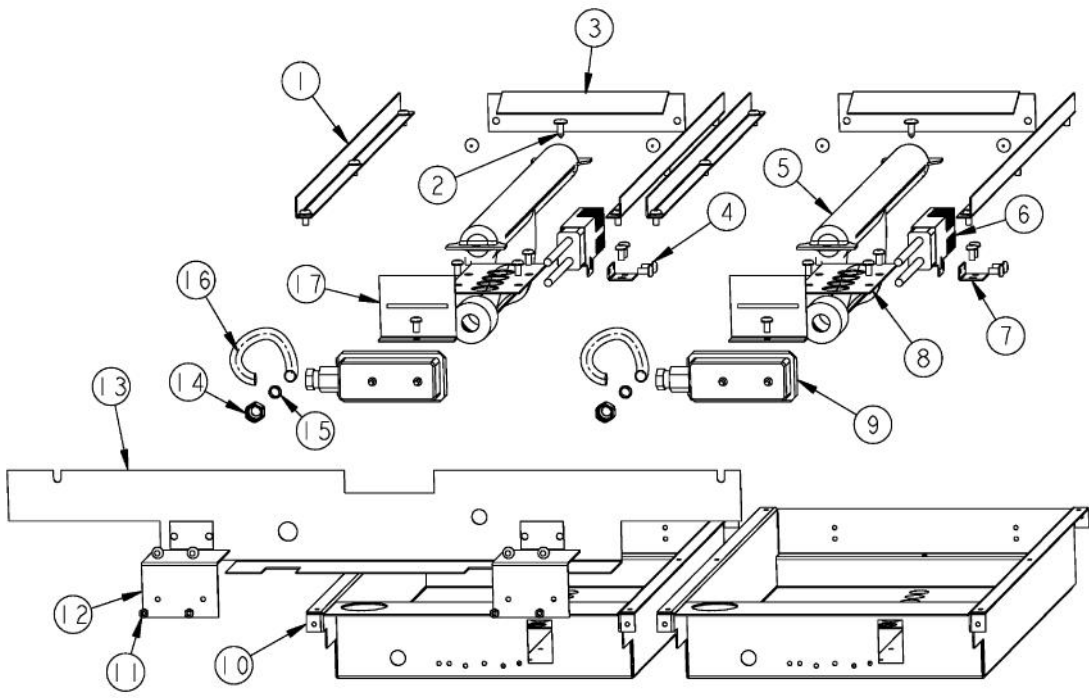
Ref #	Part Number	Qty.	Description
1	G3009847		SEALED GRIDDLE ASSEMBLY
2	PA060054		SEALED GRATE XBKX
3	PA080083		D BURNER CAP XMATTE BLACKX
4	PB050063		BURNER HEAD (BEFORE 12/18/07)
	001386-000		BURNER HEAD (AFTER 12/18/07)
5	PA010100		VENTURI D (VDSC3074B) (BEFORE 12/18/07)
6	PB050081		BURNER BASE ASSEMBLY (INCLUDES IGNITER) - BEFORE 12/18/07
	003322-040		SEALED BURNER BASE, TURNED FINISH (INCLUDES IGNITER) - AFTER 12/18/07
7	B2007868		IC SEALED SIDE TRIM
	C9307868BR		IC SEALED SIDE TRIM XBRX
8	E9109804BK		MAIN TOP (VDSC4G/4Q)
	E9109804WH		MAIN TOP (VDSC4G/4Q) XWHX
9	A2007858		SIDE TRIM BRKT
10	PD020032		SRW-8(A)X3/8PH.WFR HD 7/16DIAXNICL
NI	003606-000		NO.6-32 SOCKET HEAD SCREW (AFTER 12/18/07)
	G50013584AL		BURNER GRATE SUPPORT ASSEMBLY - AL
	G50013584BK		GRATE SUPPORT SERVICE KIT (BK)
	G50013584BT		GRATE SUPPORT SERVICE KIT (BT) - NLA
	G50013584CB		BURNER GRATE SUPPORT ASSEMBLY - CB
	G50013584EP		BURNER GRATE SUPPORT ASSEMBLY - EP
	G50013584FG		BURNER GRATE SUPPORT ASSEMBLY - FG
	G50013584GG		BURNER GRATE SUPPORT ASSEMBLY - GG
	G50013584LE		BURNER GRATE SUPPORT ASSEMBLY - LE
	G50013584MJ		BURNER GRATE SUPPORT ASSEMBLY - MJ
	G50013584SG		BURNER GRATE SUPPORT ASSEMBLY - SG
	G50013584VB		BURNER GRATE SUPPORT ASSEMBLY - VB
	G50013584WH		GRATE SUPPORT SERVICE KIT (WH)



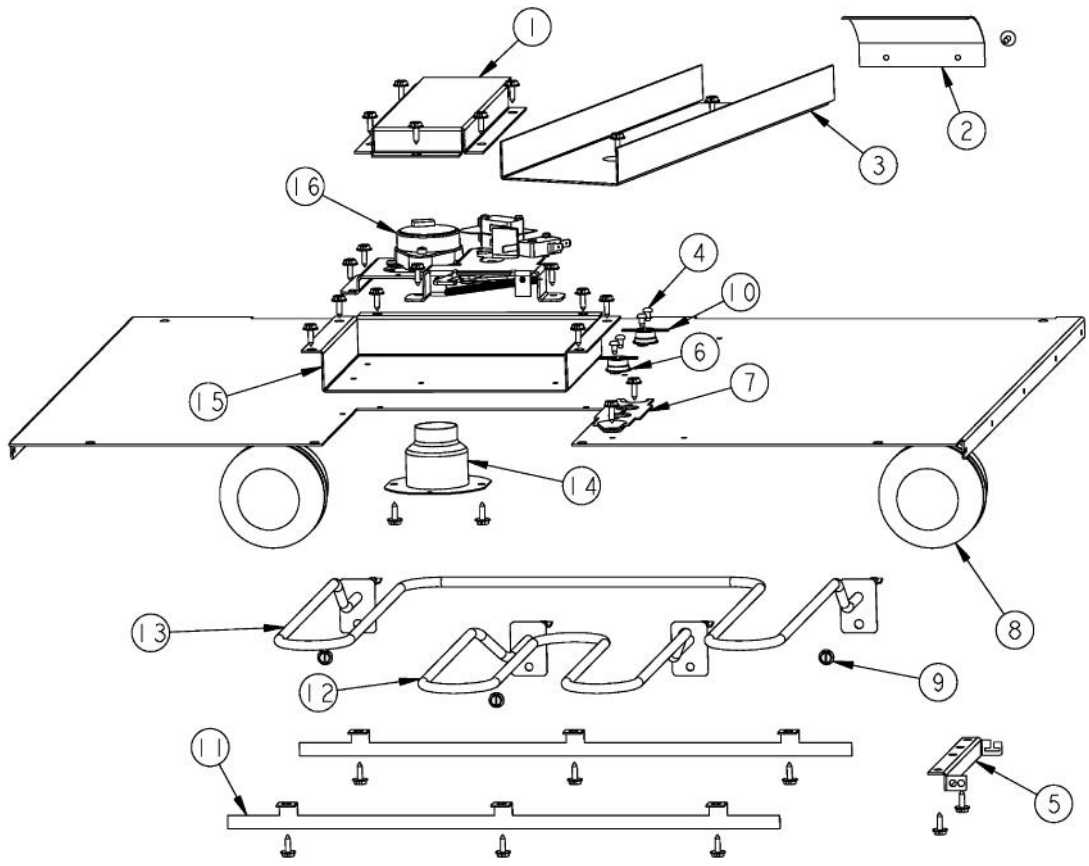
Ref #	Part Number	Qty.	Description
1	A20010184		48 SEALED BURNER SUPPORT
2	PD020076		6-32 X 3/8 PHILL PAN MS
3	A2002544		BURNER BOX SIDE RH (VDSC48)
4	PD020002		10 X 1/2 PH.TR.HD.SMS.
5	PK000008		DRIP TRAY GUIDE - RH
6	PC040010		POP RIVET
7	PB020192		10 FLEX TUBING W/CONNECTORS
8	PB020193		16 FLEX TUBING W/CONNECTORS
9	PK000007		DRIP TRAY GUIDE - LH (VGRT)
10	PA050086		5/8 MALE FLARE FITTING
11	PA080075		BODY BURNER D (VDSC3074BSS) (BEFORE 12/18/07)
	001394-042		15000 BTU NAT JETHOLDER (AFTER 12/18/07)
	001394-043		13500 BTU LP JETHOLDER (AFTER 12/18/07)
12	PB040194		SEALED RANGE ORIFICE (NAT) (BEFORE 12/18/07)
	001396-000		NATURAL GAS ORIFICE (AFTER 12/18/07)
	PB040217		L.P. ORIFICE (BEFORE 12/18/07)
	005990-000		1.10 MM LP BTU ORIFICE (AFTER 12/18/07)
13	A2002545		BURNER BOX SIDE LH (VDSC48)



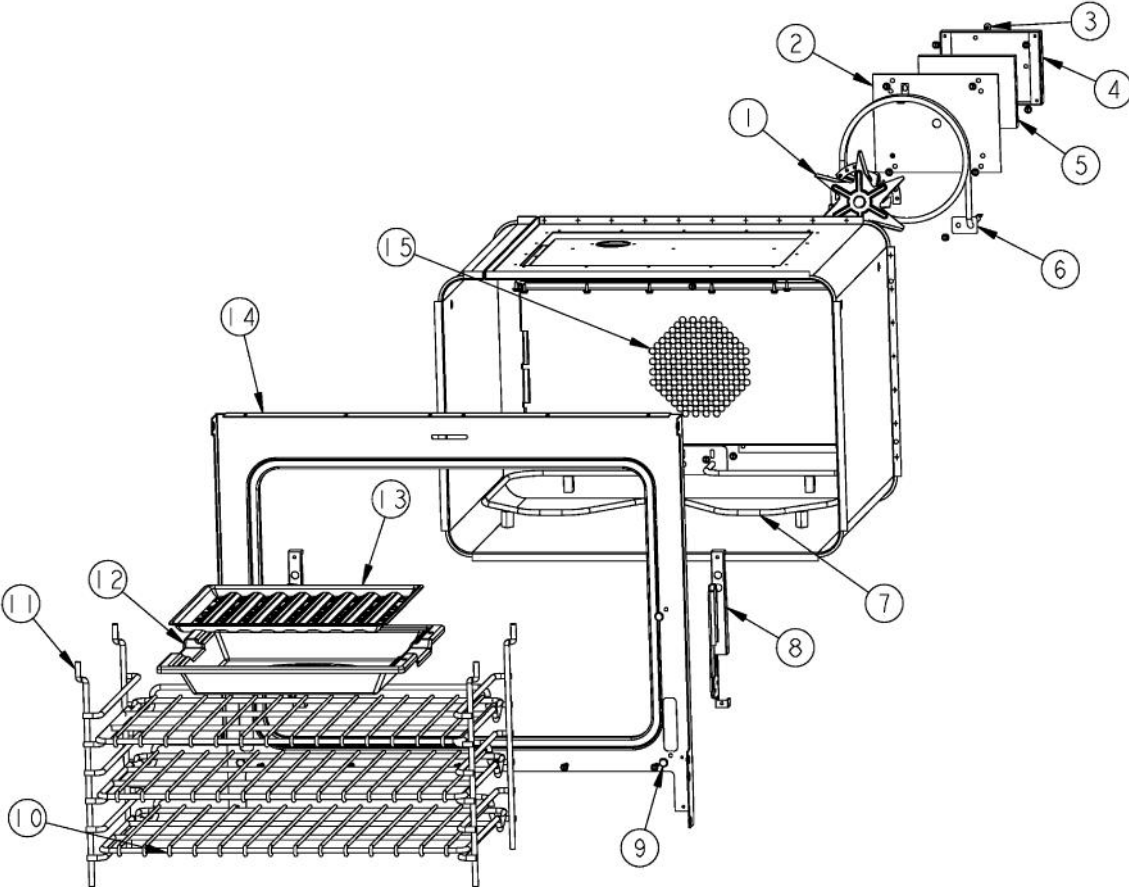
Ref #	Part Number	Qty.	Description
1	G30013336		48 DRIP TRAY ASSY. 6Q &4GQ
2	PB080061		GREASE PAN
3	PD040028		BUSHING(.194ID/.750OD/.750LONG)
4	PD040004		GROMMET BUMPER
5	G30010697		DRIP TRAY HANDLE ASSY 48
	G93011461PVD		DRIP TRAY HANDLE ASSY 48 PVD
6	A20010693		DRIP TRAY HANDLE BACK 48
7	PD020079		NO.10 X 1 1/4 PH. PAN HD. T(A) NYLOK



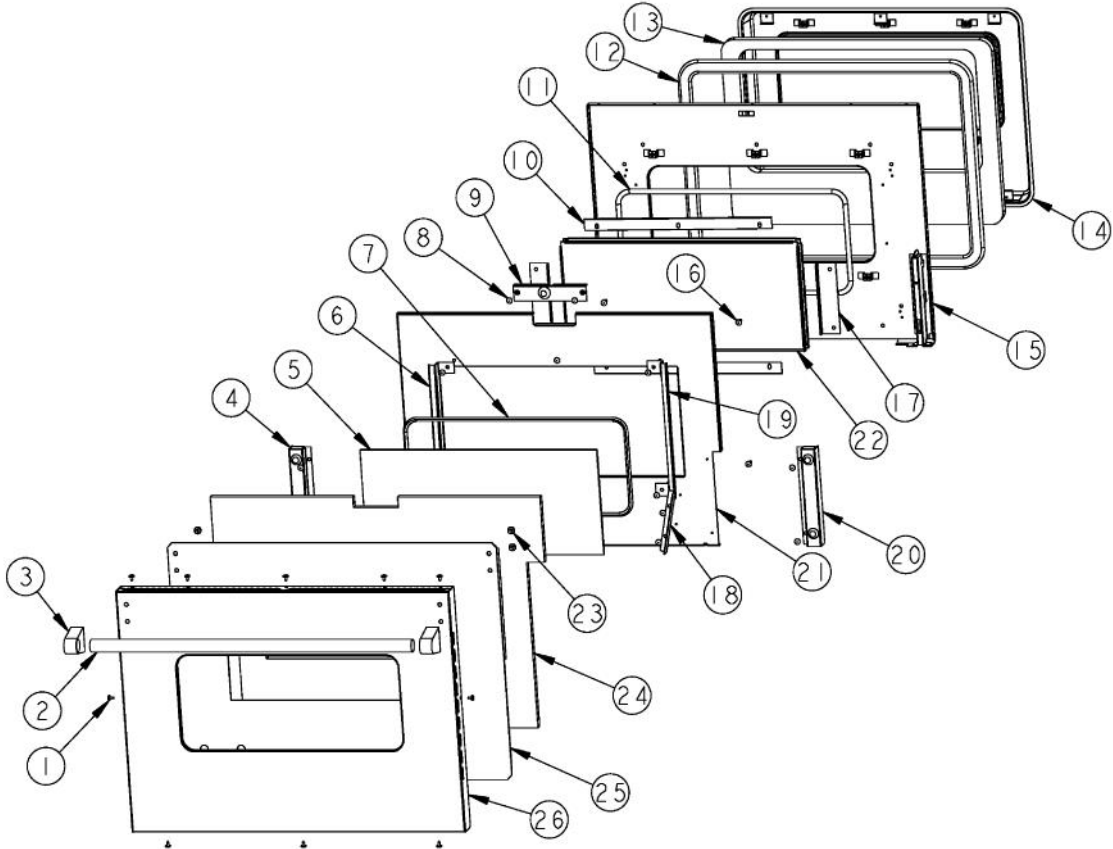
Ref #	Part Number	Qty.	Description
1	A20010657		GRIDDLE BOX FLANGE
2	PD020002		10 X 1/2 PH.TR.HD.SMS.
3	A20012667		HEAT DIVERTER
4	PD020004		10X3/8PH.HD.TYPE 25 REPL PD040125
5	PB050074		SEALED GRIDDLE BURNER
6	PB040001		IGNITOR - (ALL RANGES)
7	A2001300		GRIDDLE IGNITOR BRKT
8	A1007861		GRIDDLE VENTURI COVER IC36
9	PB010004		SINGLE SAFETY VALVE (NAT. GRIDDLE)
10	A2007862		GRIDDLE BOX (VGIC3674G)
11	PD030012		6-32 HEX NUT
12	A2007867		VALVE BRACKET
13	A20010463		COMPONENT SHIELD
14	PB040228		FITTING BRASS COMPRESSION NUT
15	PB040263		5/16 FERRULE
16	PB020116		TUBING - 10 FLEXIBLE 12 & 24
17	A2009580		GRIDDLE BURNER BRACKET



Ref #	Part Number	Qty.	Description
1	A2002479		SMOKE ELIMINATOR VENT (VDSC)
2	A2002478		AIR SCOOP (VDSC)
3	A2002450		LATCH COOLING DUCT (VDSC)
4	PD020006		NO.6-32 X 1/4 PH.PAN HD. T(F)
5	B20012039		THERMAL BULB BRACKET
6	PJ030006		SWITCH (COOLING FAN)
7	A10014918		THERMODISC BRACKET
8	PE050009		OVEN LIGHT SOCKET - 36 BUILT-IN
9	PD020003		NO.10 X 1/2 T(A) HEX WASHER HEAD
10	PJ030005		SWITCH (HIGH-LIMIT) VDSC
11	B20012072		BROILER ELEMENT BRACKET
12	PJ010001		BROIL ELEMENT 240V
13	PJ010002		BROIL ELEMENT(MAXI)-SIDE (VDSC)240V
14	PM010014		SMOKE ELIMINATOR (VDSC)
15	A2002168		DOOR LATCH BRKT (VDSC)
16	PE050053		DR LATCH REPL PE050020

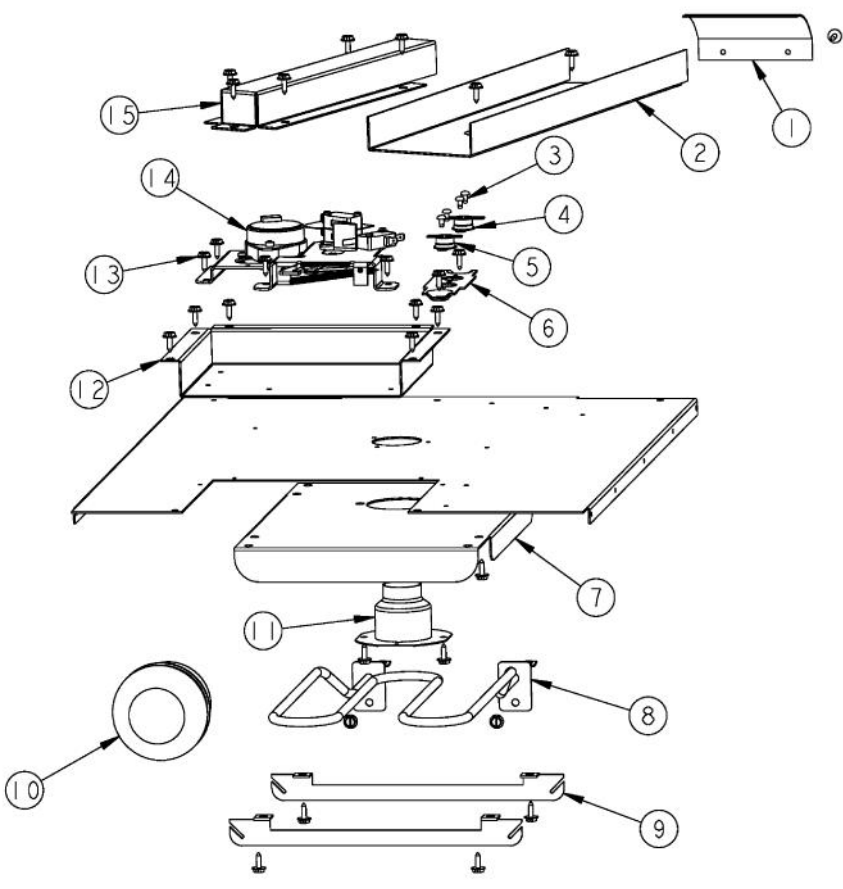


Ref #	Part Number	Qty.	Description
1	PE050005		CONVECTION FAN ASSY
2	A1002596		CONVECTION FAN COVER (VDSC)
3	PD020003		NO.10 X 1/2 T(A) HEX WASHER HEAD
4	A2002595		CONVECTION FAN BOX (VDSC)
5	PB070208		CONVECTION FAN INSULATION
6	PJ010003		CONVECTION ELEMENT (VDSC) 240V
7	PJ010004		BAKE ELEMENT (VDSC) 240V
8	PC020009		HINGE ASSY (BROWN)
9	PD020033		SRW-NO.10-24X1/2T(23)PH.WFR HD (NKL)
10	PB060044		OVEN RK VDSC30/48RH REPL PB060019
11	PB060030		RACK SUPT REPL PB060010
12	E9107933		BROILER PAN
13	E9107934		BROILER PAN INSERT
14	G9102521		FRONT FRAME ASSY RH (VDSC48)
15	E9102170		CONVECTION FAN COVER

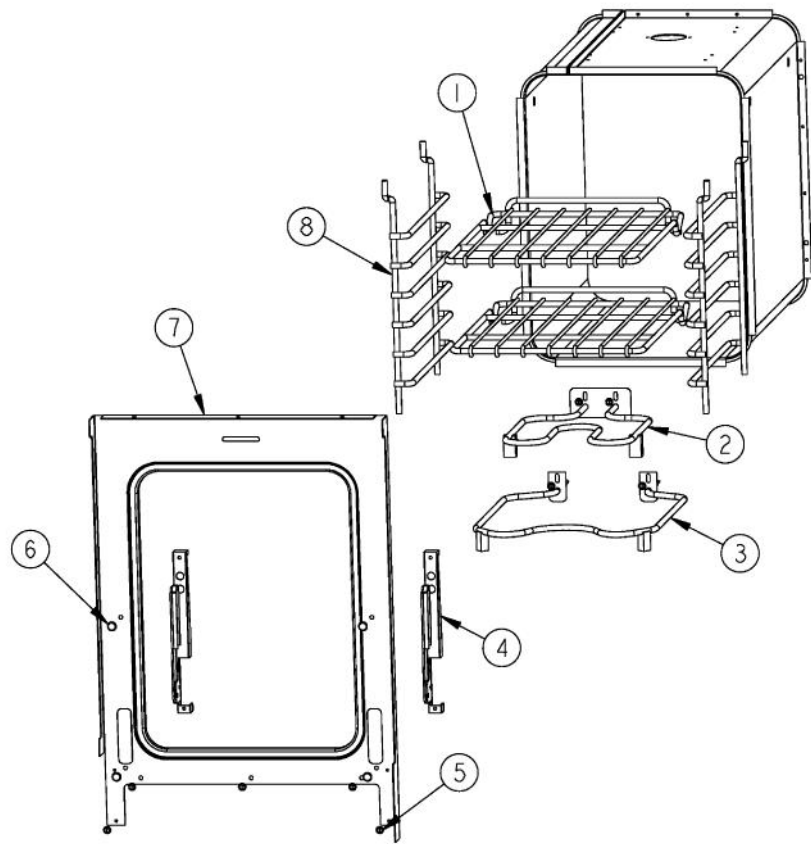


Ref #	Part Number	Qty.	Description
1	PD020032		SRW-8(A)X3/8PH.WFR HD 7/16DIAXNICL
2	PE030005		DOOR HANDLE - VGSC30/RC60/RC48RH
	PE030012PVD		DOOR HANDLE - RH - (30/48) PVD
3	PE030001		BRACKET, DOOR, HANDLE
	PE030001PVD		END CAP DOOR HANDLE XBR
4	A2002499		HINGE POCKET COVER LH
5	PE060030		GLASS-OUTER DOOR BK SCREENED,TEMP
6	A2002367		DOOR GLASS BRKT
7	PE060031		J-MOLD (LARGE WINDOW)
	PE060045		J-MOLD (LARGE WINDOW) XBRX
8	PD020002		10 X 1/2 PH.TR.HD.SMS.
9	A20012912		DOOR LATCH COVER
10	A2007943		GLASSPACK BRACKET, LARGE
11	PB070150		FIBERGLASS ROPE, 3/8 DIA.
12	PB070041		SUB TO 000623-000 - DOOR GASKET(3/8DIA.) (VDSC)
13	PB070076		WOOL INSULATION 1 X 21 X 3'
14	G9102745		DR PG ASSY VDSC30/48 RE H9102175
15	G9102747		DR LINER ASY(VDSC30/48)REP H9102173
16	PD020014		10X3/4 PH TR HD SMS
17	A2002189		DOOR GLASS STANDOFF (VDSC)
18	A2002497		DOOR GUIDE ANGLE VDSC
19	A2002367		DOOR GLASS BRKT
20	A2002498		HINGE POCKET COVER RH
21	A2002169		DOOR INSULATION RETAINER (VDSC30)
22	PE060064		WINDOW PACK, SELF CLEANING OVEN 30
23	PD010019		BLT-1/4-20X3/8HEX WASHER SERATED
24	PB070145		SUPERWOOL 5 X 24 X 3'
25	J1002594		OVEN DR HEAT SINK (VDSC30)
26	B2002528		O/S DOOR PANEL RH XSSX (VDSC48)
	C9002528AL		O/S DOOR PANEL-RH XALX (VDSC48)
	C9002528BK		O/S DOOR PANEL-RH XBKX (VDSC48)
	C9002528BT		O/S DOOR PANEL-RH XBTX (VDSC48)
	C9002528BU		O/S DOOR PANEL-RH XBUX (VDSC48)
	C9002528CB		O/S DOOR PANEL-RH XCBX (VDSC48)
	C9002528EP		O/S DOOR PANEL-RH XEPX (VDSC48)
	C9002528FG		O/S DOOR PANEL-RH XFGX (VDSC48)
	C9002528GG		O/S DOOR PANEL-RH XGGX (VDSC48)
	C9002528LE		O/S DOOR PANEL-RH XLEX (VDSC48)
	C9002528MJ		O/S DOOR PANEL-RH XMJX (VDSC48)
	C9002528SG		O/S DOOR PANEL-RH XSGX (VDSC48)
	C9002528VB		O/S DOOR PANEL-RH XVBX (VDSC48)
	C9002528WH		O/S DOOR PANEL-RH XWHX (VDSC48)
NI	G3202549AL		DOOR SUB-ASSY- RH XALX (VDSC48)
	G3202549ALBR		DOOR SUB-ASSY- RH XALXXBRX (VDSC48)
	G3202549BK		DOOR SUB-ASSY- RH XBKX (VDSC48)
	G3202549BKBR		DOOR SUB-ASSY- RH XBKXXBRX (VDSC48)
	G3202549BT		DOOR SUB-ASSY-RH XBTX (VDSC48)
	G3202549BTBR		DOOR SUB-ASSY- RH XBTXXBRX (VDSC48)
	G3202549BU		DOOR SUB-ASSY- RH XBUX (VDSC48)
	G3202549BUBR		DOOR SUB-ASSY- RH XBUXXXBRX (VDSC48)
	G3202549CB		DOOR SUB-ASSY-RH XCBX (VDSC48)
	G3202549CBBR		DOOR SUB-ASSY- RH XCBXXBRX (VDSC48)
	G3202549EP		DOOR SUB-ASSY- RH XEPX (VDSC48)
	G3202549EPBR		DOOR SUB-ASSY-RH XEPXXBRX (VDSC48)
	G3202549FG		DOOR SUB-ASSY- RH XFGX (VDSC48)
	G3202549FGBR		DOOR SUB-ASSY- RH XFGXXBRX (VDSC48)
	G3202549GG		DOOR SUB-ASSY-RH XGGX (VDSC48)
	G3202549GGBR		DOOR SUB-ASSY- RH XGGXXBRX (VDSC48)
	G3202549LE		DOOR SUB-ASSY-RH XLEX (VDSC48)
	G3202549LEBR		DOOR SUB-ASSY- RH XLEXXXBRX (VDSC48)

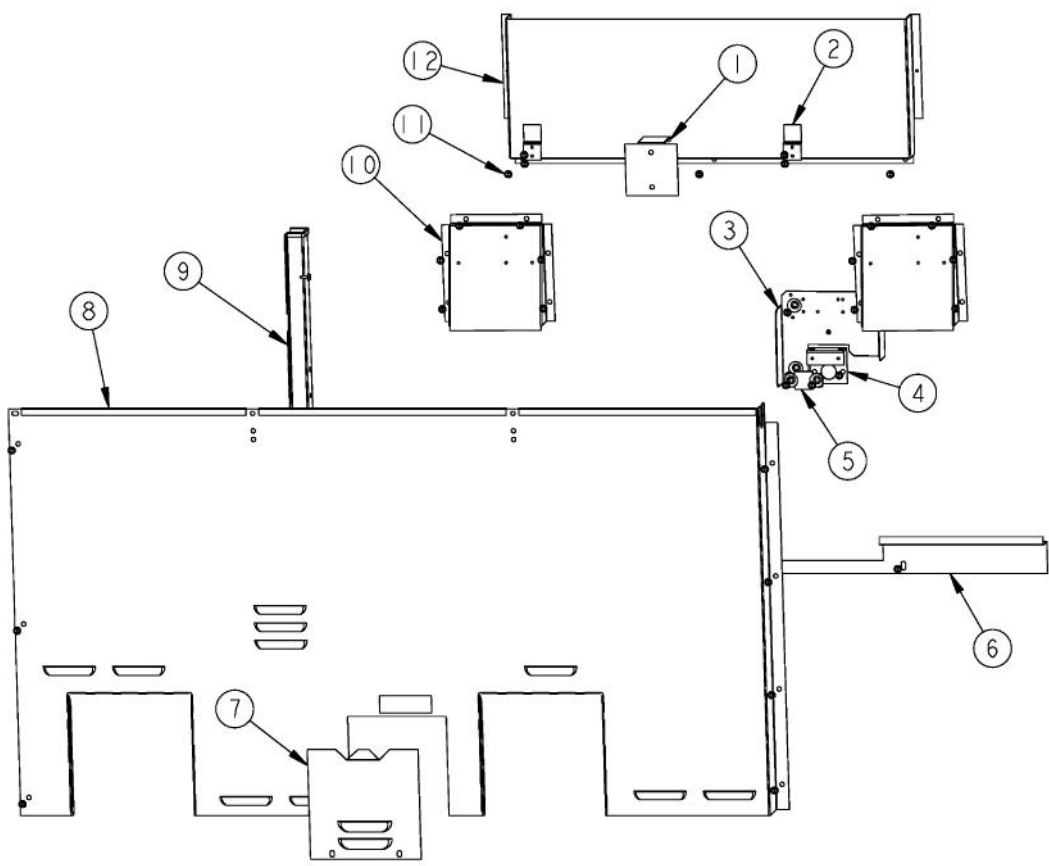
Ref #	Part Number	Qty.	Description
	G3202549LEBR		DOOR SUB-ASSY- RH XLEXXBRX (VDSC48)
	G3202549MJ		DOOR SUB-ASSY-RH XMJX (VDSC48)
	G3202549MJBR		DOOR SUB-ASSY-RH XMJXXBRX (VDSC48)
	G3202549SG		DOOR SUB-ASSY- RH XSGX (VDSC48)
	G3202549SGBR		DOOR SUB-ASSY- RH XSGXXBRX (VDSC48)
	G3202549SS		DOOR SUB-ASSY- RH XSSX (VDSC48)
	G3202549SSBR		DOOR SUB-ASSY- RH XSSXXBRX (VDSC48)
	G3202549VB		DOOR SUB-ASSY- RH XVBX (VDSC48)
	G3202549VBBR		DOOR SUB-ASSY- RH XVBXXBRX (VDSC48)
	G3202549WH		DOOR SUB-ASSY- RH XWHX (VDSC48)
	G3202549WHBR		DOOR SUB-ASSY- RH XWHXXBRX (VDSC48)



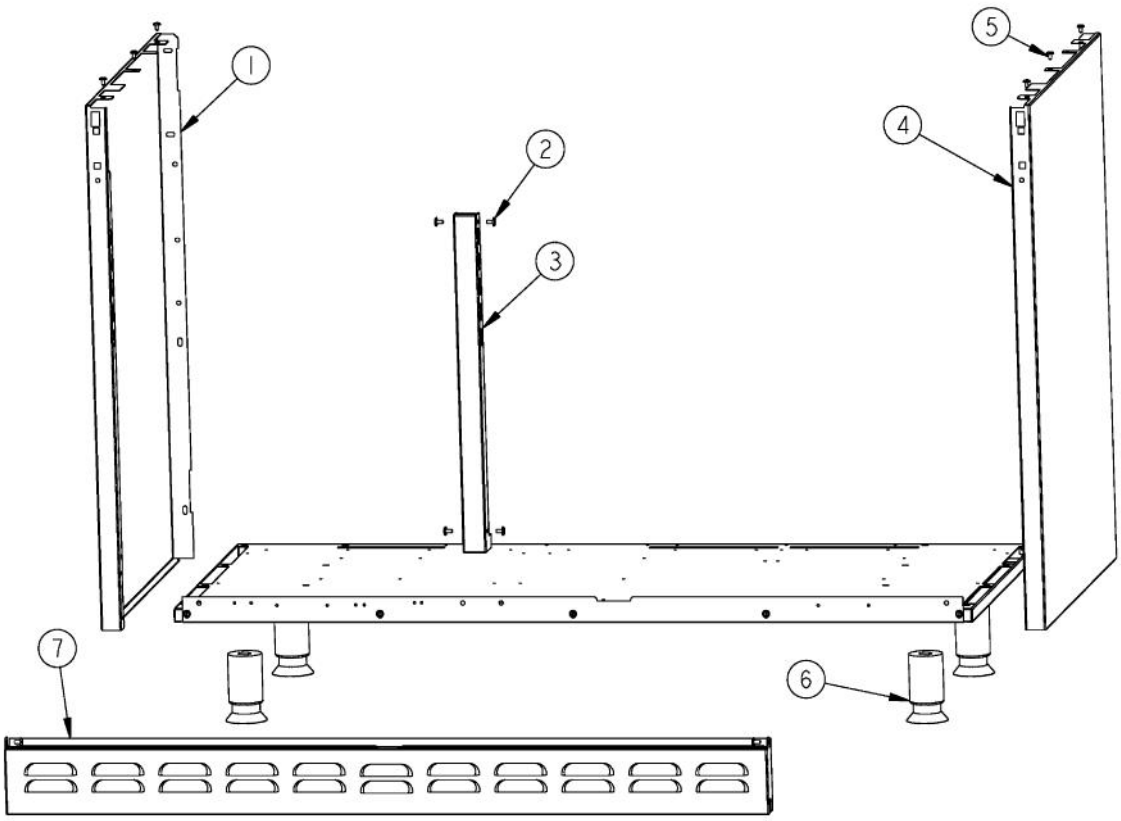
Ref #	Part Number	Qty.	Description
1	A2002478		AIR SCOOP (VDSC)
2	A2002450		LATCH COOLING DUCT (VDSC)
3	PD020006		NO.6-32 X 1/4 PH.PAN HD. T(F)
4	PJ030005		SWITCH (HIGH-LIMIT) VDSC
5	PJ030006		SWITCH (COOLING FAN)
6	A10014918		THERMODISC BRACKET
7	B2002514		BROILER TOP (VDSC48-LH)
8	PJ010001		BROIL ELEMENT 240V
9	B2002515		BROIL ELEMENT BRKT LH (VDSC48)
10	PE050009		OVEN LIGHT SOCKET - 36 BUILT-IN
11	PM010014		SMOKE ELIMINATOR (VDSC)
12	A2002168		DOOR LATCH BRKT (VDSC)
13	PD020003		NO.10 X 1/2 T(A) HEX WASHER HEAD
14	PE050053		DR LATCH REPL PE050020
15	A2002536		SMOKE ELIMINATOR VENT LH (VDSC48)



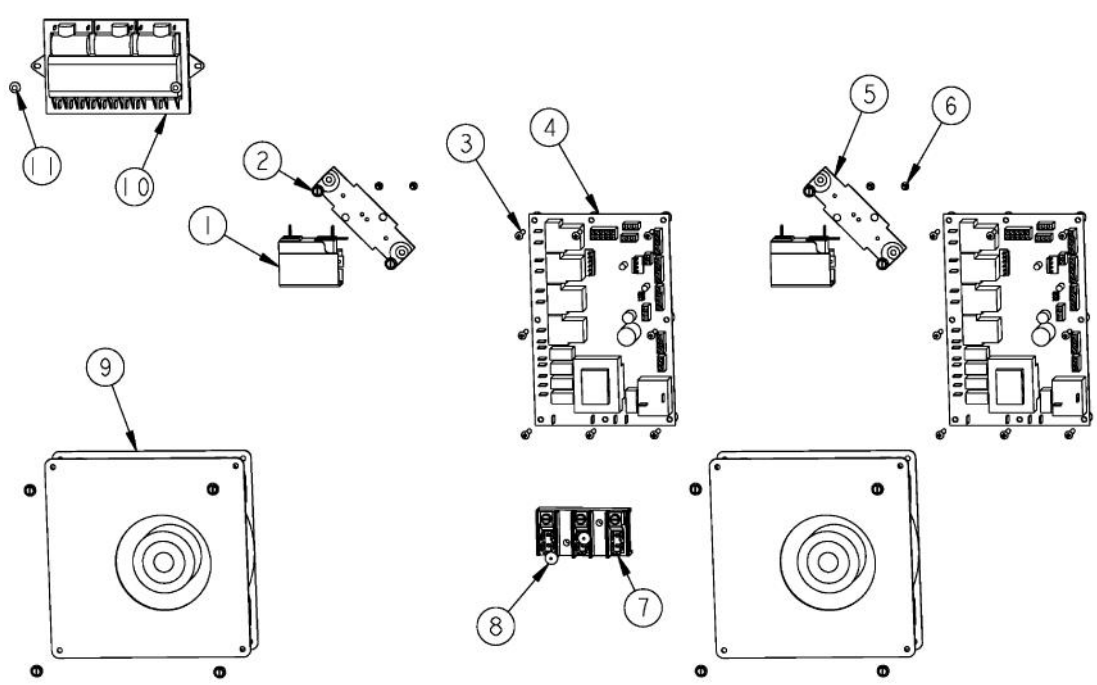
Ref #	Part Number	Qty.	Description
1	PB060046		OVEN RK VDSC48-LH REPL PB060023
2	PJ010007		PROOF ELEMENT LH VDSC-48
3	PJ010005		BAKE ELEMENT LH VDSC-48 240V
4	PC020003		HINGE ASSY (BLUE)
5	PD020003		NO.10 X 1/2 T(A) HEX WASHER HEAD
6	PD020033		SRW-NO.10-24X1/2T(23)PH.WFR HD (NKL)
7	G9102518		FRONT FRAME ASSY LH (VDSC48)
8	PB060030		RACK SUPT REPL PB060010



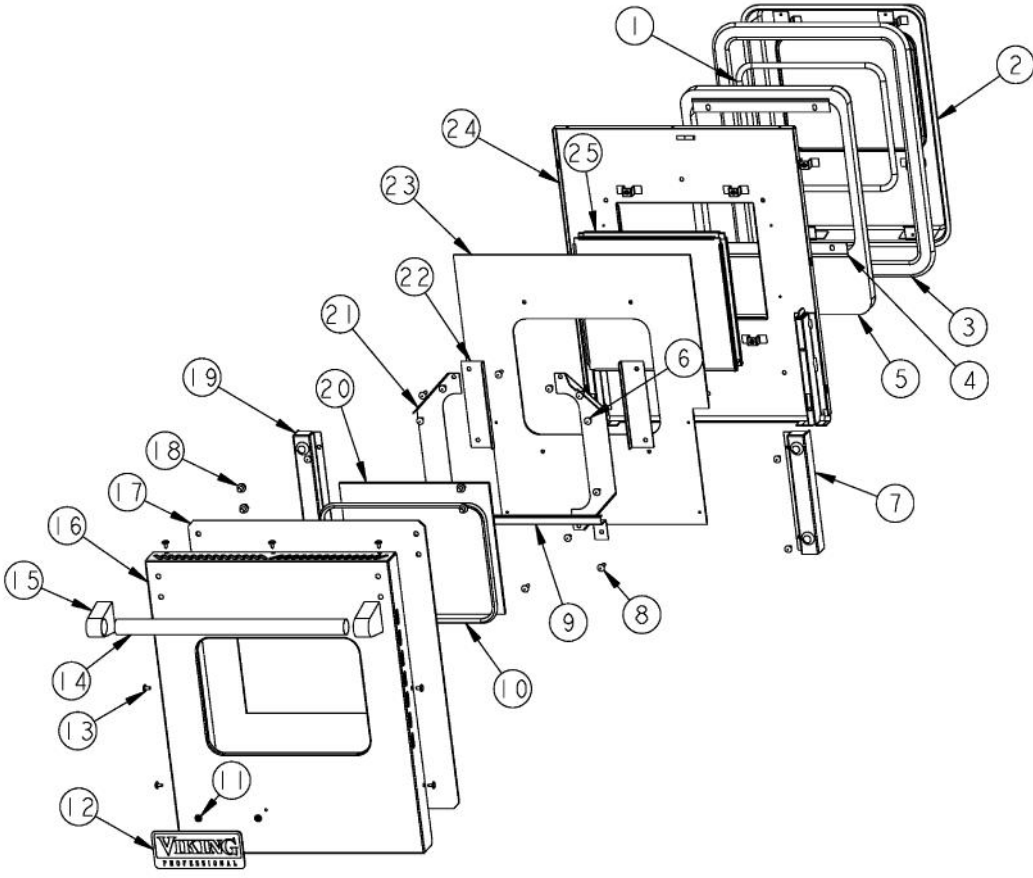
Ref #	Part Number	Qty.	Description
1	A2002654		ANTI-TIP DEVICE (VDSC)
2	A2005735		BACKGUARD SUPPORT BRACKET
3	A2002193		ELECTRICAL MOUNTING BRKT (VDSC)
4	A2002195		POWER CORD MOUNTING BRKT (VDSC)
5	A1002457		POWER CORD MOUNTING STRAP (VDSC)
6	A2004296		LOWER BACK COVER (VDSC485)
7	A2002454		BACK COVER ACCESS DOOR
8	A20014920		BACK COVER
9	A2000210		WIRE CHANNEL
10	A2002180		COOLING FAN HOUSING (VDSC)
11	PD020003		NO.10 X 1/2 T(A) HEX WASHER HEAD
12	A2002537		OVEN FLUE LH (VDSC48)



Ref #	Part Number	Qty.	Description
1	B2002598		O/S BODY PANEL LH (SS)
	C9002598AL		BODY PNL LH 30`REPL C9001922AL
	C9002598BK		BODY PNL LH 30`REPL C9001922BK
	C9002598BT		O/S BODY PANEL-LH XBTX (VDSC)
	C9002598BU		BODY PNL LH 30`REPL C9001922BU
	C9002598CB		O/S BODY PANEL-LH XCBX (VDSC)
	C9002598EP		O/S BODY PANEL-LH XEPX (VDSC)
	C9002598FG		BODY PNL LH 30`REPL C9001922FG
	C9002598GG		BODY PNL LH 30`REPL C9001922GG
	C9002598LE		O/S BODY PANEL-LH XLEX (VDSC)
	C9002598MJ		O/S BODY PANEL-LH XMJX (VDSC)
	C9002598SG		O/S BODY PANEL-LH XSGX (VDSC)
	C9002598VB		BODY PNL LH 30`REPL C9001922VB
	C9002598WH		BODY PNL LH 30`REPL C9001922WH
2	PD020033		SRW-NO.10-24X1/2T(23)PH.WFR HD (NKL)
3	B2002535		CENTER TRIM (VDSC485)
	C9002535AL		CENTER TRIM-XALX (VDSC485)
	C9002535BK		CENTER TRIM-XBKX (VDSC485)
	C9002535BT		CENTER TRIM-XBTX (VDSC485)
	C9002535BU		CENTER TRIM-XBUX (VDSC485)
	C9002535CB		CENTER TRIM-XCBX (VDSC485)
	C9002535EP		CENTER TRIM-XEPX (VDSC485)
	C9002535FG		CENTER TRIM-XFGX (VDSC485)
	C9002535GG		CENTER TRIM-XGGX (VDSC485)
	C9002535LE		CENTER TRIM-XLEX (VDSC485)
	C9002535MJ		CENTER TRIM-XMJX (VDSC485)
	C9002535SG		CENTER TRIM-XSGX (VDSC485)
	C9002535VB		CENTER TRIM-XVBX (VDSC485)
	C9002535WH		CENTER TRIM-XWHX (VDSC485)
4	B2002597		O/S BODY PANEL - RH (SS)
	C9002597AL		O/S BODY PANEL-RH XALX (VDSC)
	C9002597BK		BODY PNL RH BK REPL C9001921BK
	C9002597BT		O/S BODY PANEL-RH XBTX (VDSC)
	C9002597BU		BODY PNL RH BU REPL C9001921BU
	C9002597CB		O/S BODY PANEL-RH XCBX (VDSC)
	C9002597EP		O/S BODY PANEL-RH XEPX (VDSC)
	C9002597FG		BODY PNL RH FG REPL C9001921FG
	C9002597GG		BODY PNL RH GG REPL C9001921GG
	C9002597LE		O/S BODY PANEL-RH XLEX (VDSC)
	C9002597MJ		O/S BODY PANEL-RH XMJX (VDSC)
	C9002597SG		O/S BODY PANEL-RH XSGX (VDSC)
	C9002597VB		BODY PNL RH VB REPL C9001921VB
	C9002597WH		BODY PNL RH WH REPL C9001921WH
5	PD020032		SRW-8(A)X3/8PH.WFR HD 7/16DIAXNICL
6	PC030017		4 LEG ASSY
7	B2001241		LWR ACC. PNL - RPLCS B2001973
	C9001241AL		LWR ACC PNL - RPLCS C9001973AL
	C9001241BK		LWR ACC PNL - RPLCS C9001973BK
	C9001241BT		LWR ACC PNL - RPLCS C9001973BT
	C9001241BU		LWR ACC PNL - RPLCS C9001973BU
	C9001241CB		LWR ACC PNL - RPLCS C9001973CB
	C9001241EP		LWR ACC PNL - RPLCS C9001973EP
	C9001241FG		LWR ACC PNL - RPLCS C9001973FG
	C9001241GG		LWR ACC PNL - RPLCS C9001973GG
	C9001241LE		LWR ACC PNL - RPLCS C9001973LE
	C9001241MJ		LWR ACC PNL - RPLCS C9001973MJ
	C9001241SG		LWR ACC PNL - RPLCS C9001973SG
	C9001241VB		LWR ACC PNL - RPLCS C9001973VB
	C9001241WH		LWR ACC PNL - RPLCS C9001973WH



Ref #	Part Number	Qty.	Description
1	PJ030002		AUTO RESET (SELF-CLEAN) VDSC
2	PD020003		NO.10 X 1/2 T(A) HEX WASHER HEAD
3	PD020185		NO.6 X 1 PAN HEAD SCREW
4	PE070786		ELECTRONIC CONTROL BOARD
5	A1002456		THERMO-DISC BRKT (VDSC)
6	PD020006		NO.6-32 X 1/4 PH.PAN HD. T(F)
7	PE070147		TERMINAL BLOCK
8	PD020014		10X3/4 PH TR HD SMS
9	PE050026		COOLING FAN (VDSC)
10	PA020048		INVENSYS 0+6 RE-IGNITION SPARK MODULE
11	PD020004		10X3/8PH.HD.TYPE 25 REPL PD040125



Ref #	Part Number	Qty.	Description
1	PB070150		FIBERGLASS ROPE, 3/8 DIA.
2	H9102507		DOOR PLUG ASSY LH (VDSC48)
3	PB070041		SUB TO 000623-000 - DOOR GASKET(3/8DIA.) (VDSC)
4	A2007942		GLASSPACK BRACKET, MEDIUM
5	PB070076		WOOL INSULATION 1 X 21 X 3`
6	PD020002		10 X 1/2 PH.TR.HD.SMS.
7	A2002498		HINGE POCKET COVER RH
8	PD020014		10X3/4 PH TR HD SMS
9	A2002367		DOOR GLASS BRKT
10	PE060046		J-MOLD LH SS (DF48 DOOR)
	PE060048		J-MOLD LH XBRX (DF48 DOOR)
11	PD030006		CAPPED WASHER PAL NUT
12	PE010030		LOGO, 6, PRO, BK
	PE010031		LOGO 6 (VGRC) XBK/WHX
	PE010068		LOGO, 6, PRO, BK/BR
	PE010076		LOGO 6 (VGRC) XBR/WHX
13	PD020032		SRW-8(A)X3/8PH.WFR HD 7/16DIAXNICL
14	PE030008		DOOR HANDLE - LH 48VGRC
	PE030014		HANDLE - BR
15	PE030001		BRACKET, DOOR, HANDLE
	PE030001PVD		END CAP DOOR HANDLE XBR
16	B2002504		O/S DOOR PANEL LH XSSX (VDSC48)
	C9002504AL		O/S DOOR PANEL-LH XALX (VDSC48)
	C9002504BK		O/S DOOR PANEL-LH XBKX (VDSC48)
	C9002504BT		O/S DOOR PANEL-LH XBTX (VDSC48)
	C9002504BU		O/S DOOR PANEL-LH XBUX (VDSC48)
	C9002504CB		O/S DOOR PANEL-LH XCBX (VDSC48)
	C9002504EP		O/S DOOR PANEL-LH XEPX (VDSC48)
	C9002504FG		O/S DOOR PANEL-LH XFGX (VDSC48)
	C9002504GG		O/S DOOR PANEL-LH XGGX (VDSC48)
	C9002504LE		O/S DOOR PANEL-LH XLEX (VDSC48)
	C9002504MJ		O/S DOOR PANEL-LH XMJX (VDSC48)
	C9002504SG		O/S DOOR PANEL-SG XSGX (VDSC48)
	C9002504VB		O/S DOOR PANEL-LHXVBX (VDSC48)
	C9002504WH		O/S DOOR PANEL-LH XWHX (VDSC48)
17	J1002506		OVEN DR HEAT SINK LH (VDSC48)
18	PD010019		BLT-1/4-20X3/8HEX WASHER SERATED
19	A2002499		HINGE POCKET COVER LH
20	PE060049		GLASS LH XTEX DF48DOOR
21	E9102668		WINDOW BRKT (O/S DOOR GLASS)
22	A2002189		DOOR GLASS STANDOFF (VDSC)
23	J1002511		OVEN DR HEAT SINK (INNER) LH (VDSC4
24	H9102502		OVEN DR LINER ASSY LH (VDSC48)
25	PE060062		WINDOW PACK, SELF CLEANING OVEN
NI	G3202509AL		DOOR SUB-ASSY- LH XALX (VDSC48)
	G3202509ALBR		DOOR SUB-ASSY- LH XALXXBRX(VDSC48)
	G3202509BK		DOOR SUB-ASSY- LH XBKX (VDSC48)
	G3202509BKBR		DOOR SUB-ASSY- LH XBKXXBRX (VDSC48)
	G3202509BT		DOOR SUB-ASSY-LH XBTX (VDSC48)
	G3202509BTBR		DOOR SUB-ASSY- LH XBTXXBRX(VDSC48)
	G3202509BU		DOOR SUB-ASSY- LH XBUX (VDSC48)
	G3202509BUBR		DOOR SUB-ASSY LH XBUXXBRX (VDSC48)
	G3202509CB		DOOR SUB-ASSY-LH XCBX (VDSC48)
	G3202509CBBR		DOOR SUB-ASSY- LH XCBXXBRX(VDSC48)
	G3202509EP		DOOR SUB-ASSY- LH XEPX (VDSC48)
	G3202509EPBR		DOOR SUB-ASSY- LH XEPXXBRX(VDSC48)
	G3202509FG		DOOR SUB-ASSY- LH XFGX (VDSC48)
	G3202509FGBR		DOOR SUB-ASSY- LH XFGXXBRX (VDSC48)
	G3202509GG		DOOR SUB-ASSY- LH XGGX (VDSC48)
	G3202509GGBR		DOOR SUB-ASSY- LH XGGXBRX (VDSC48)

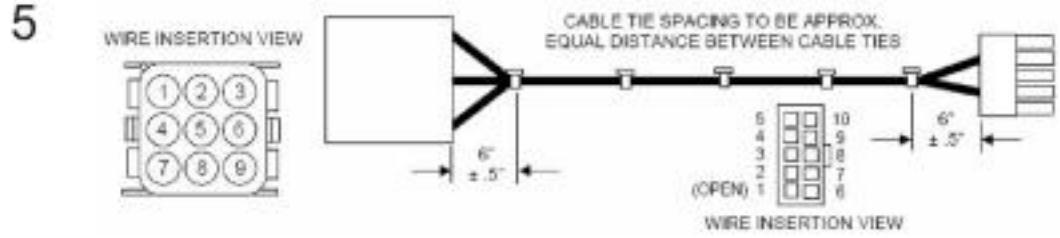
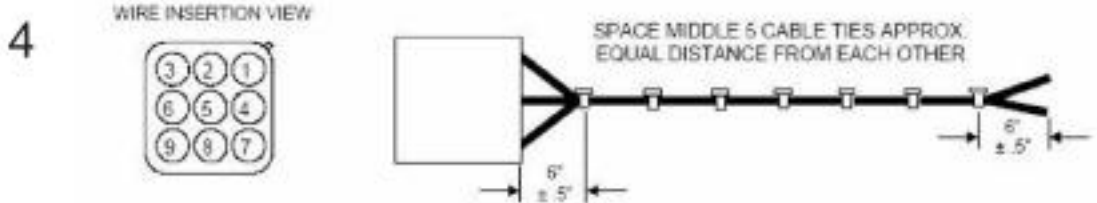
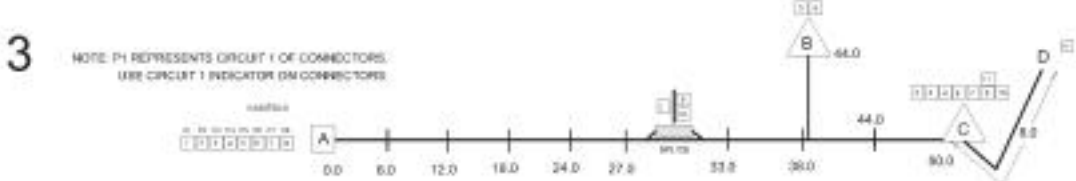
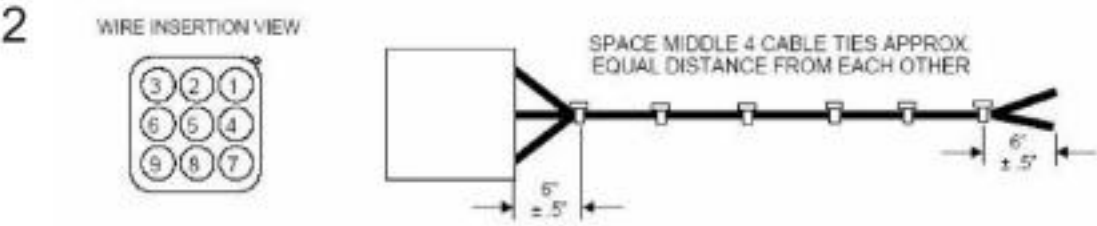
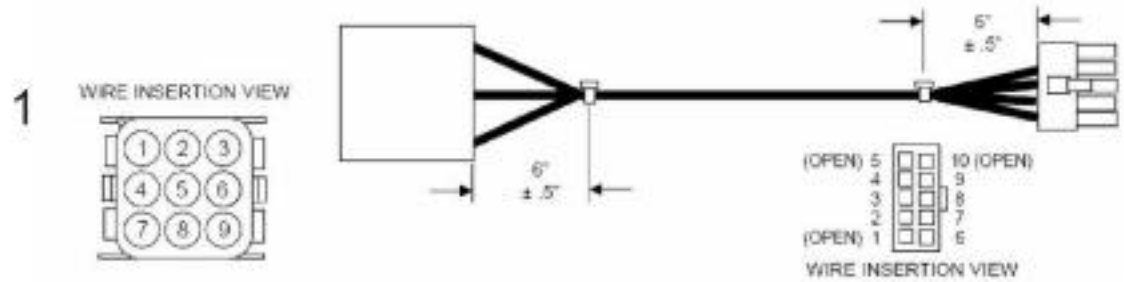
Ref #	Part Number	Qty.	Description
	G3202509GGBR		DOOR SUB-ASSY- LH XGGXBRX (VDSC48)
	G3202509LE		DOOR SUB-ASSY- LH XLEX (VDSC48)
	G3202509LEBR		DOOR SUB-ASSY- LH XLEXBRX(VDSC48)
	G3202509MJ		DOOR SUB-ASSY- LH XMJX (VDSC48)
	G3202509MJBR		DOOR SUB-ASSY- LHXMJXXBR(VDSC48)
	G3202509SG		DOOR SUB-ASSY- LH XSGX (VDSC48)
	G3202509SGBR		DOOR SUB-ASSY- LH XSGXXBRX(VDSC48)
	G3202509SS		DOOR SUB-ASSY- LH XSSX (VDSC48)
	G3202509SSBR		DOOR SUB-ASSY- LH XSSXXBRX (VDSC48)
	G3202509VB		DOOR SUB-ASSY- LH XVBX (VDSC48)
	G3202509VBBR		DOOR SUB-ASSY- LH XVBXXBRX (VDSC48)
	G3202509WH		DOOR SUB-ASSY- LH XWHX (VDSC48)
	G3202509WHBR		DOOR SUB-ASSY- LH XWHXXBRX (VDSC48)

1

NOTE: EACH "KIT" WILL CONTAIN SEVERAL SETS OF IGNITOR WIRES (AS SHOWN BELOW). THESE SHOULD BE BUNDLED TOGETHER WITH TAPE & LABELED WITH THE KIT PURC. # , AND THE MODEL USAGE #.



Ref #	Part Number	Qty.	Description
1	PE070836		IGNITOR WIRE KIT (VDSC487-4G)



Ref #	Part Number	Qty.	Description
1	PE070776		LH REAR SELECTOR HARNESS
2	PE070777		LH 5 POS SELECTOR HARNESS
3	PE070778		LH TSTAT/GRIDDLE HARNESS
4	PE070779		RH 8 POS SELECTOR HARNESS
5	PE070780		RH REAR SELECTOR HARNESS

1

- 1 -
- 2 -
- 3 - WHITE
- 4 -
- 5 - WHITE



2

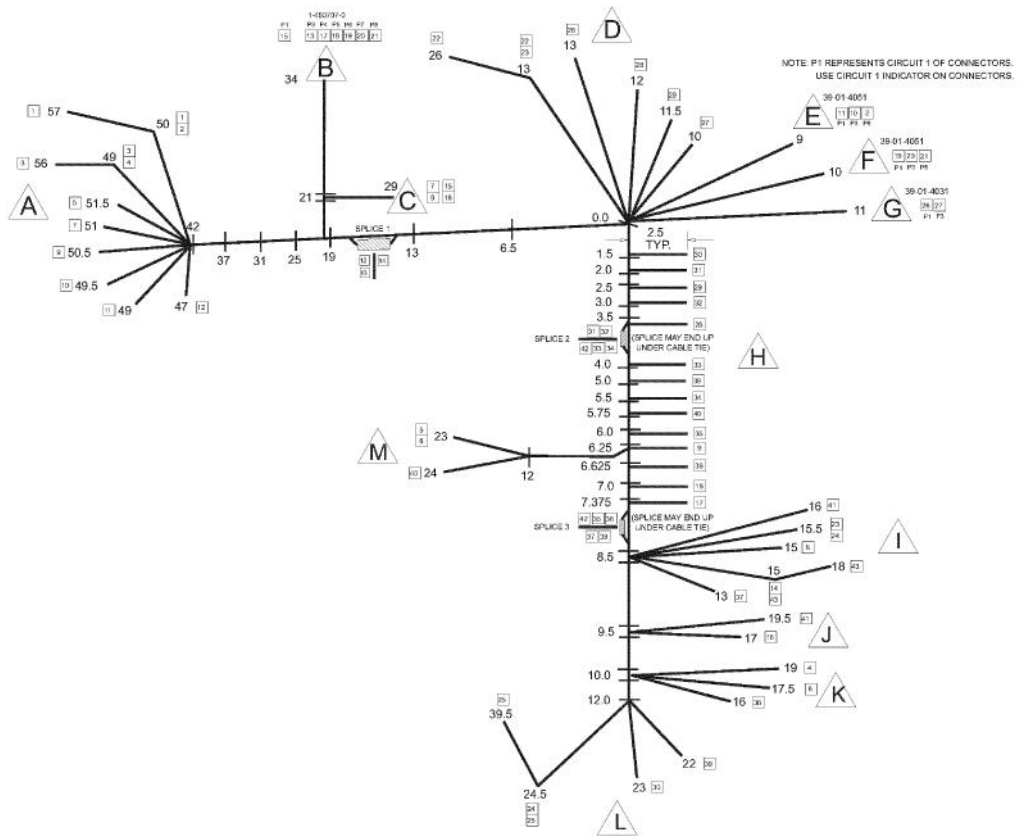
- 1 -
- 2 -
- 3 - BLACK
- 4 - BLACK



Ref #	Part Number	Qty.	Description
1	PE070536		SINGLE OVEN JUMPER
2	PE070624		SINGLE PREHEAT JUMPER

Ref #	Part Number	Qty.	Description
1	PE070775		LH OVEN MAIN HARNESS

1

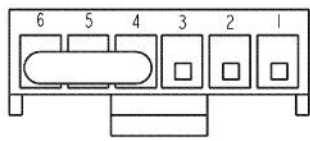


Ref #	Part Number	Qty.	Description
1	PE070781		RH MAIN OVEN HARNESS

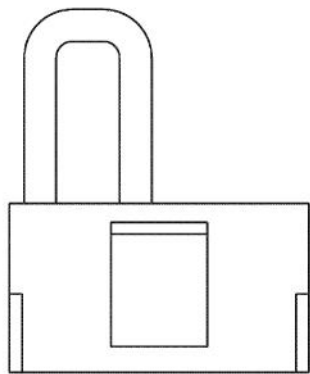
Ref #	Part Number	Qty.	Description
1	PE070783		6 POSITION SPARK MOD HARNESS

Ref #	Part Number	Qty.	Description
1	PE070805		IGNITOR SWITCH HARNESS (487C-4G)

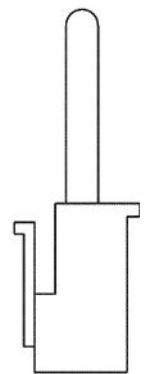
1



Red 20 GA XLPE
Jump Position 4 and 6



JST Connector
Part No. VHR-6N



Ref #	Part Number	Qty.	Description
1	PE070787		VDSC LEFT HAND OVEN HEADER