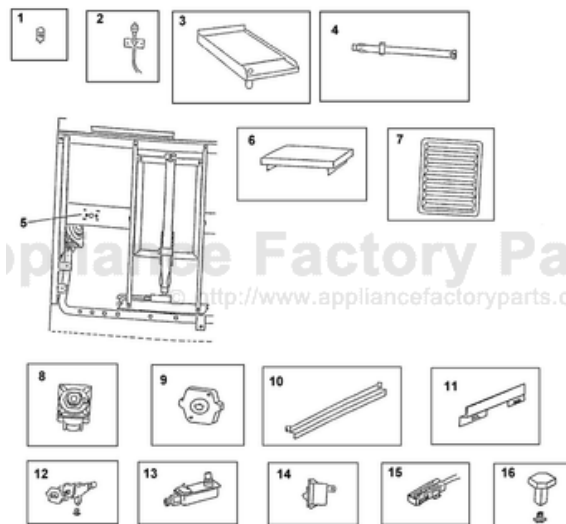


This Owner's Manual is provided and hosted by [Appliance Factory Parts](http://www.appliancefactoryparts.com).



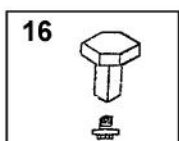
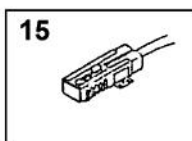
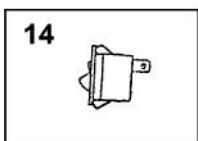
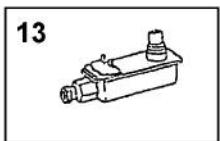
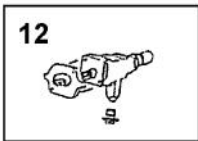
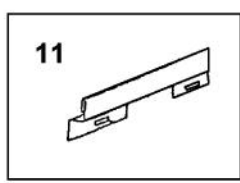
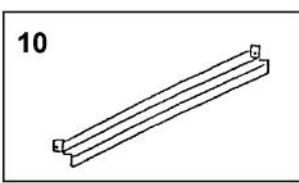
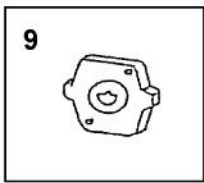
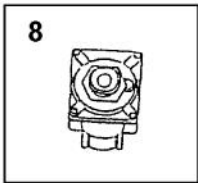
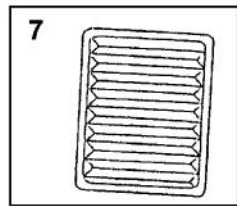
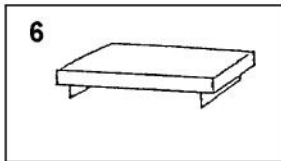
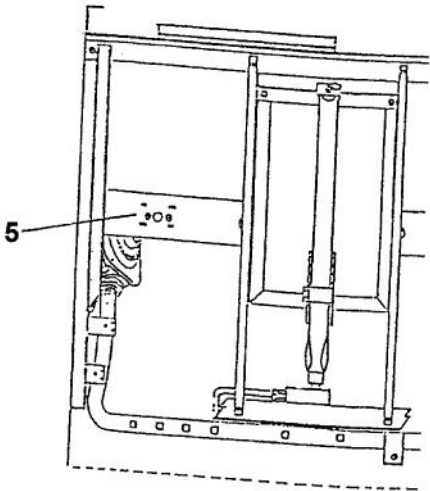
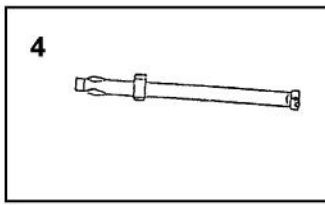
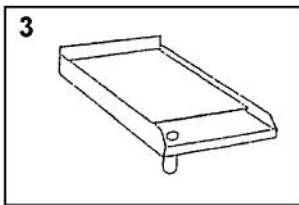
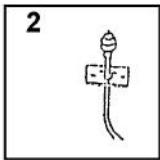
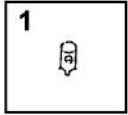
VIKING VCM-VRT-VGR Owner's Manual

[Shop genuine replacement parts for VIKING
VCM-VRT-VGR](#)

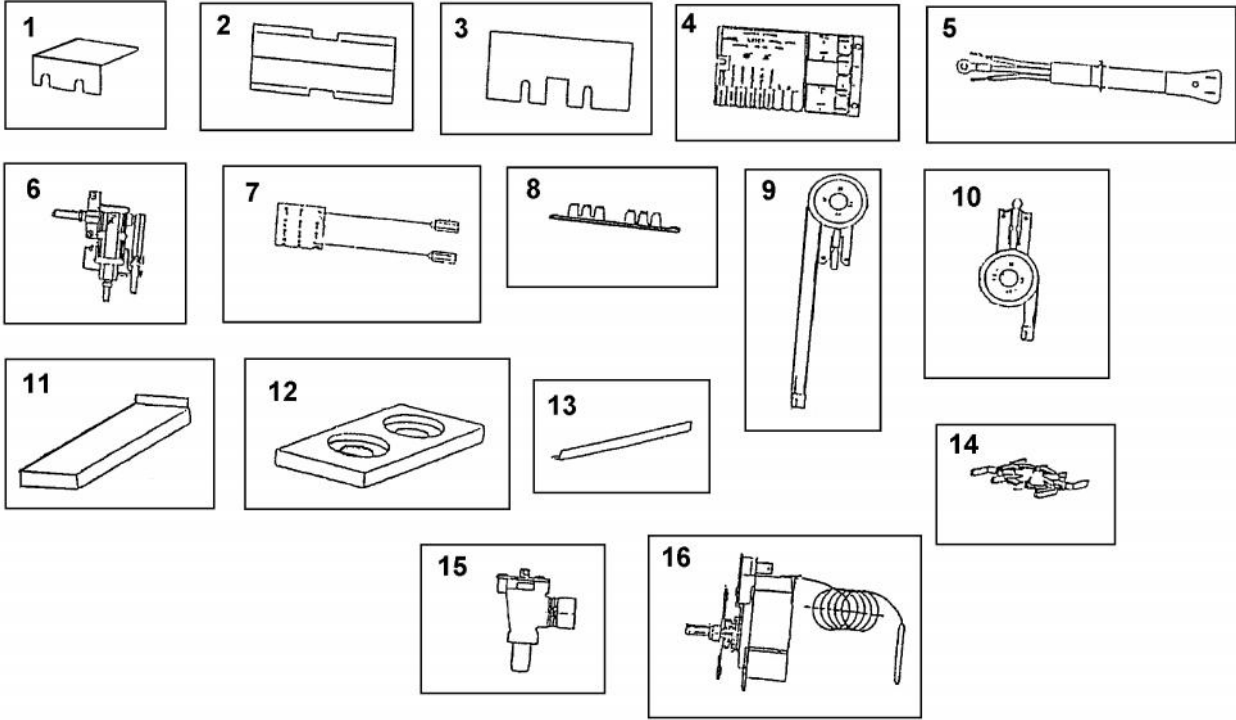


[Find Your VIKING Refrigerator Parts - Select From 341 Models](#)

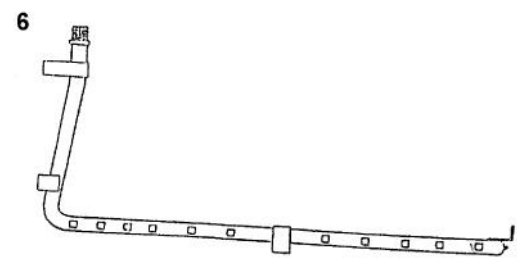
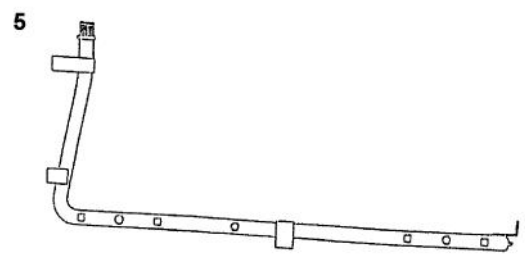
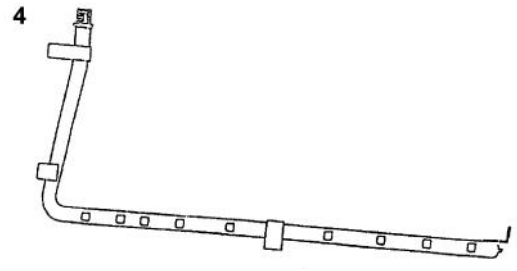
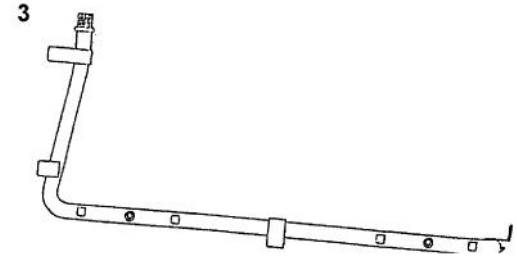
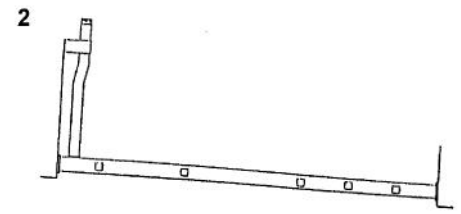
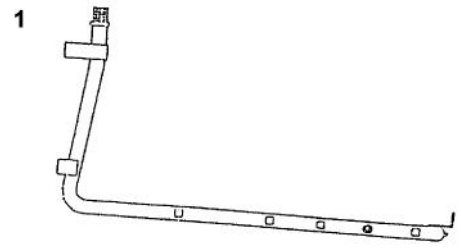
----- Manual continues below -----



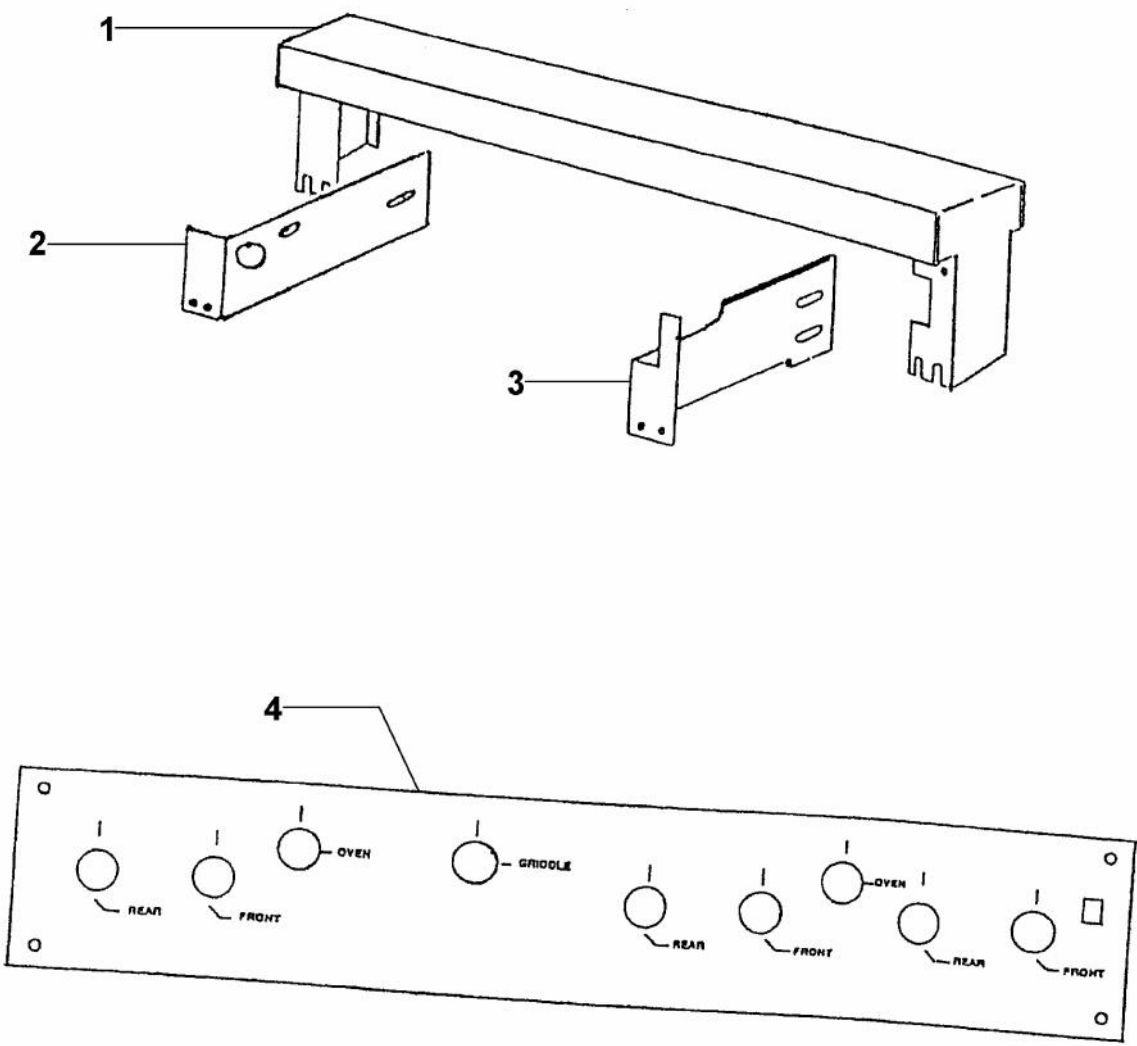
Ref #	Part Number	Qty.	Description
No.	G5009722		HI MED LOW NEW VGR KNOB KIT
No.	G5009723		LOW MED HI NEW VGR KNOB KIT
1	PA020003		TUBE & CAP ASSY
2	PA020004		SPARK IGNITION LEAD 23
	PA020005		SPARK IGNITION LEAD 36
	PA020006		SPARK IGNITION LEAD 48
	PA020007		SPARK IGNITION LEAD 59
3	G3000145		GRIDDLE PLATE ASSEMBLY 12IN
	G3000146		GRIDDLE PLATE ASSEMBLY 24IN
4	PB050002		BURNER OVEN/GRIDDLE
	PB050006		GRIDDLE BURNER - VRT-R
5	A2000391		2-BURNER SUPPORT - (NEW) FORMED
	A2000388		4-BURNER SUPPORT - (NEW) FORMED
	A2000390		6-BURNER SUPPORT - (NEW) FORMED
	A2000389		8-BURNER SUPPORT - (NEW) FORMED
6	B2000072		GRIDDLE SPACER FORMED 12``
	B2000073		GRIDDLE SPACER 24 FORMED
7	N/A		GRIDDLE GREASE PAN
8	PA070001		PRESSURE REGULATOR (NAT.)
9	PA020011		SPARK IGN SWITCH REPL PA020012
	PA010005		TOP BURNER VALVE SWITCH (RASPBERRY)
10	A2000231		FRONT BURNER HOLDER - VGR30 FORMED
	A2000249		FRONT BURNER HOLDER - VGR36 FORMED
	A2000071		FRONT BURNER SUPPORT - 48````
	A2000605		BURNER SUPPORT - VRTR FORMED
11	A2000331		HEAT SHIELD - FORMED
	A2000651		HEAT SHIELD - VRTR FORMED
12	PA010003		SUB TO 003556-000 - TOP BURNER VALVE LOW-MEDIUM-HIGH
	PA010001		TOP BURNER VALVE - RASPBERRY HIGH-MEDIUM-LOW
13	PB010004		SINGLE SAFETY VALVE (NAT. GRIDDLE)
	PB010002		SINGLE THERMAL VALVE - OVEN
14	N/A		OVEN LIGHT SWITCH (BEFORE 11/91)
	PE050016		OVEN LIGHT SWITCH - XBKX (WES-GAR)
	PE050017		OVEN LIGHT SWITCH - XWHX (WES-GAR)
15	PB040001		IGNITOR - (ALL RANGES)
16	PA010012		ROPER PLUG
No.	PA080015		BURNER CAP-VGRT XBKX



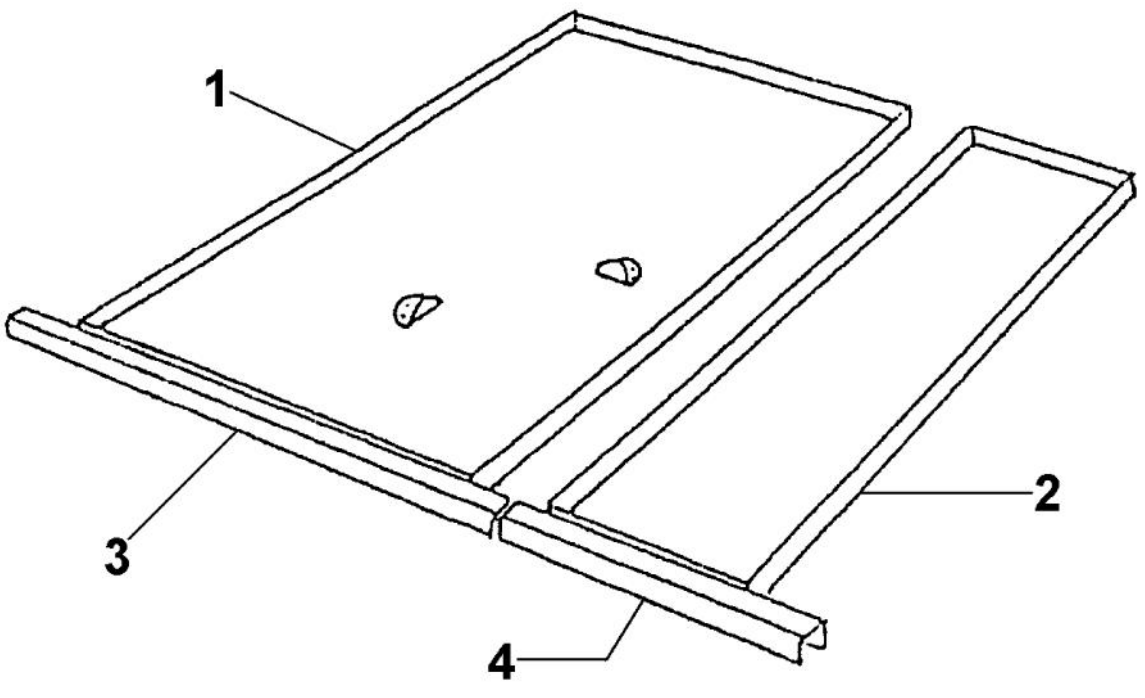
Ref #	Part Number	Qty.	Description
1	A2000105		CONTROL BOX COVER - FORMED
2	A2000242		BROILER COVER - VGR36 FORMED
3	A2000107		BROILER COVER - VGR30/48 FORMED
4	PA020016		SPARK MODULE
5	PE070068		SUPPLY CORD
6	PB010001		DUAL THERMAL VALVE
7	G4000932		DISCONNECT HARNESS - VGR
8	PE070063		TERMINAL BLOCK
9	PA080002		TOP BURNER REAR
	PA080003		TOP BURNER-FRONT (VRTR)
10	PA080001		TOP BURNER FRONT
	PA080004		TOP BURNER-REAR (VRTR)
11	E9100553AL		WORK TOP - XALX 30
	E9100553BK		WORK TOP - VGR30 (BLACK)
	E9100553FG		WORK TOP - VGR30 (F. GREEN)
	E9100553VB		WORK TOP - VGR30 (VB)
	E9100553WH		WORK TOP - XWHX 30
No.	E9100552AL		WORK TOP EXTENSION - ALMOMD
	E9100552BK		WORK TOP EXTENSION - BLACK
	E9100552FG		WORK TOP EXTENSION - FORREST GREEN
	E9100552VB		WORKTOP LIP - VB (BEFORE 4/92)
	E9100552WH		WORK TOP EXTENSION - WHITE
No.	PC040003		POP RIVET - SB64 3/16DIA.X 3/8
12	E9100550AL		GRATE SUPT - NEW STYLE XALX
	E9100550BK		GRATE SUPT - NEW STYLE XBKX
	E9100550FG		GRATE SUPT - NEW STYLE XFGX
	E9100550VB		GRATE SUPPORT - VB (AFTER 4/92) VGR / VRT
	E9100550WH		GRATE SUPT - NEW STYLE XWHX
	G3104566AL		GRATE SUPPORT - AL (BEFORE 4/92) VGR / VRT
	G3104566BK		GRATE SUPPORT ASSEMBLY - BK (VGR)
	G3104566FG		GRATE SUPPORT ASSEMBLY (VGR)
	G3104566VB		GRATE SUPPORT - VB (BEFORE 4/92) VGR / VRT
	G3104566WH		GRATE SUPPORT ASSEMBLY - WH (VGR)
No.	E9101934AL		SERVICE GRATE SUPT XALX (VGR)
	E9101934BK		SERVICE GRATE SUPT XBKX (VGR)
	E9101934FG		SERVICE GRATE SUPT XFGX (VGR)
	E9101934VB		SERVICE GRATE SUPT XVBX (VGR)
	E9101934WH		SERVICE GRATE SUPT XWHX (VGR)
	E9101935AL		SERVICE GRATE SUPT XALX (VRTR)
	E9101935BK		SERVICE GRATE SUPT XBKX (VRTR)
	E9101935FG		SERVICE GRATE SUPT XFGX (VRTR)
	E9101935VB		SERVICE GRATE SUPT XVBX (VRTR)
	E9101935WH		SERVICE GRATE SUPT XWHX (VRTR)
13	B2000220		GRATE SUPPORT TRIM FORMED
14	PA060001		SPIDER GRATE XBKX
	PA060037		GRATE BK REPL PA060024 (GEN.NO.2)
	PA060038		GRAY GRATES
No.	PA030002AL		BURNER BOWL - AL (FOR USE WITH UPGRADE KIT)
	PA030002BK		BURNER BOWL (VGRT) XXBKXX
	PA030002FG		BURNER BOWL - FG (FOR USE WITH UPGRADE KIT)
	PA030002VB		BURNER BOWL (VGRT) XXVBXX
	PA030002WH		BURNER BOWL (VGRT) XXWHXX
15	PB030002		SUB TO 003862-000 - SHUTOFF VALVE
16	PB010035		THERMOSTAT BAKE
	PB010036		THERMOSTAT BAKE/BROIL



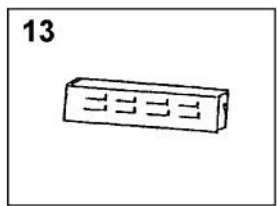
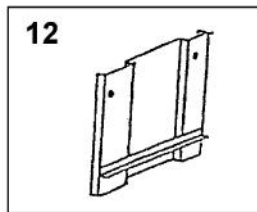
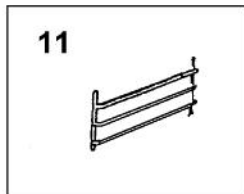
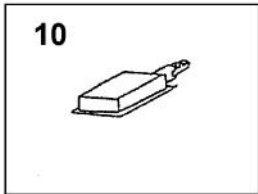
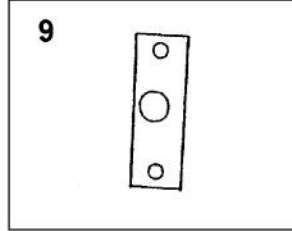
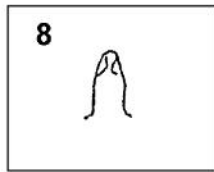
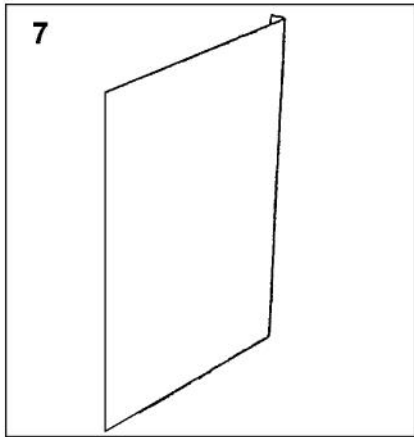
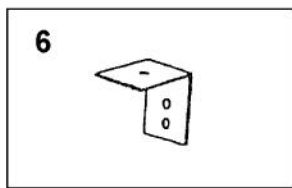
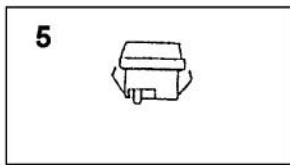
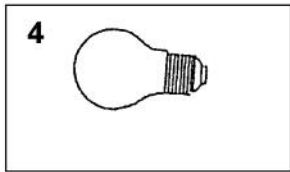
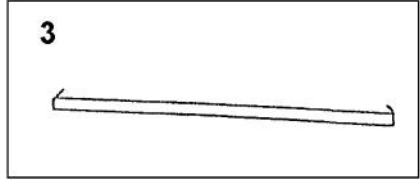
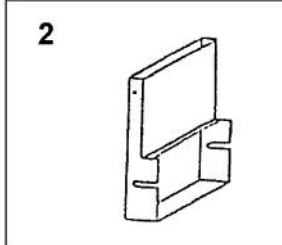
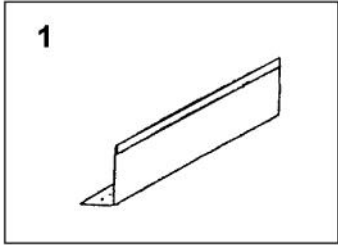
Ref #	Part Number	Qty.	Description
1	PA050020		MANIFOLD PIPE VGR-30
2	PA050040		UNIVERSAL MANIFOLD 30
3	PA050021		MANIFOLD PIPE VGR 36-4W
	PA050022		MANIFOLD PIPE VGR 36-4G
	PA050023		MANIFOLD PIPE VGR 36-6B
4	PA050025		UNIVERSAL MANIFOLD 36
5	PA050015		MANIFOLD PIPE VGR 48-4G
	PA050017		MANIFOLD PIPE VGR 48-4W
	PA050018		MANIFOLD PIPE VGR 48-6G
	PA050019		MANIFOLD PIPE VGR 48-6W
	PA050016		MANIFOLD PIPE VGR 48-8B
6	PA050024		UNIVERSAL MANIFOLD 48
No.	PA050011		MANIFOLD VRT 36-6B
No.	PA050012		MANIFOLD VRT 36-4G
No.	PA050013		MANIFOLD VRT 48-8B
No.	PA050014		MANIFOLD VRT 48-6G



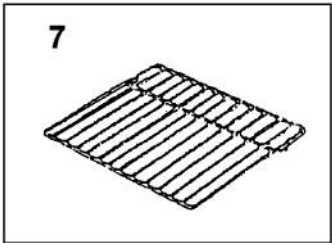
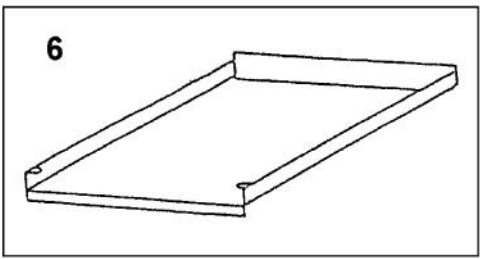
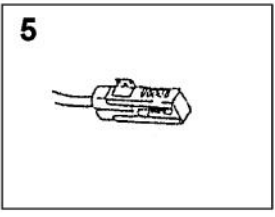
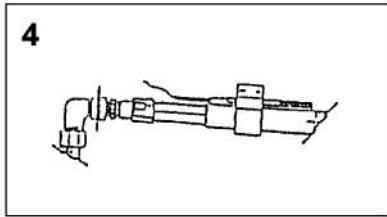
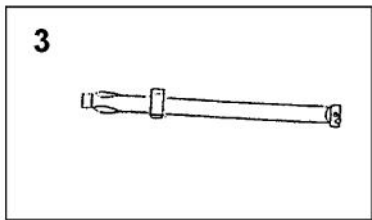
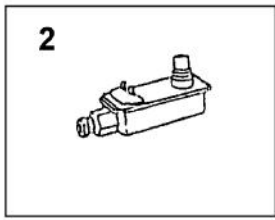
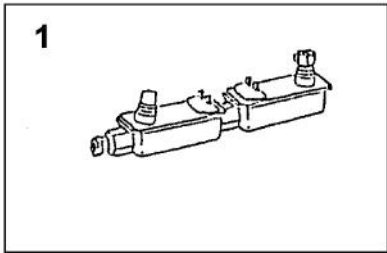
Ref #	Part Number	Qty.	Description
1	B2000640		LANDING LEDGE 30 FORMED
	B2000641		LANDING LEDGE 36 FORMED
	B2000642		LANDING LEDGE 48
2	A2000687		MANIFOLD BRACKET - LH FORMED
3	A2000686		MANIFOLD BRACKET - RH FORMED
4	E9200254		LOWER VALVE PANEL VCM36-4G
	B9200254		LOWER VALVE PANEL - VCM364G SCREEN
	E9200256		CONTROL PANEL - VCM36-4W (BK)
	B9200256		CONTROL PANEL - VCM36-4W (SS)
	E9200252		LOWER VALVE PANEL VCM36-6B
	B9200252		LOWER VALVE PANEL VCM36 6B
	E9200099		LOWER VALVE PANEL VCM48-4G
	B9200099		LOWER VALVE PANEL VCM48 4G
	E9200091		CONTROL PANEL - VCM48-4GW (BK)
	B9200091		CONTROL PANEL - VCM48-4GW (SS)
	E9200101		CONTROL PANEL - VCM48-4W (BK)
	B9200101		CONTROL PANEL - VCM48-4W (SS)
	E9200093		CONTROL PANEL - VCM48-6G (BK)
	B9200093		LOWER VALVE PANEL - VCM486G S.S.
	E9200095		CONTROL PANEL - VCM48-6W (BK)
	B9200095		CONTROL PANEL - VCM48-6W (SS)
	E9200097		LOWER VALVE PANEL VCM48-48B
	B9200097		LOWER VALVE PANEL - VCM488B S.S.
	B9200240		LOWER VALVE PANEL VGR-30 SCREENED
	B9200253		LOWER VALVE PANEL VGR36-4G SCREENED
	B9200255		LOWER VALVE PANEL VGR36-4W
	B9200251		LOWER VALVE PANEL VGR36-6B SCREENED
	B9200098		CONTROL PANEL VGR48-4G SCREENED
	B9200090		CONTROL PANEL - VGR48-4GW
	B9200100		LOWER VALVE PANEL VGR48-4W
	B9200092		LOWER VALVE PANEL - VGR486G SCRND.
	B9200094		LOWER VALVE PANEL VGR48-6W
	B9200096		CONTROL PANEL VGR48-8B
	B9200298		LOWER VALVE PANEL VRT36-4G SCREENED
	C9200298WH		CNTRL PANEL-XWHX (VRT364G)XSLK SC
	B9200297		LOWER VALVE PANEL VRT36-6B SCREENED
	B9200228		CONTROL PANEL - VRT48-4GR
	B9200300		LOWER VALVE PANEL VRT48-6G SCREENED
	B9200298		LOWER VALVE PANEL VRT36-4G SCREENED



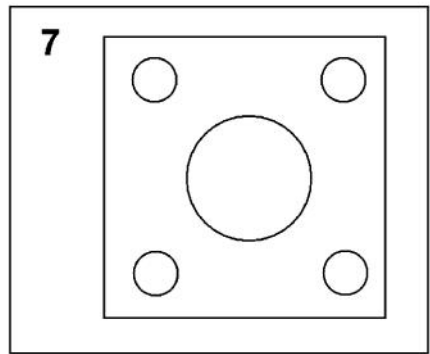
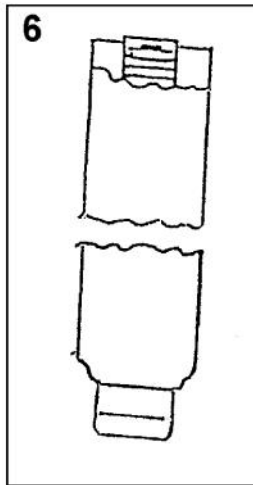
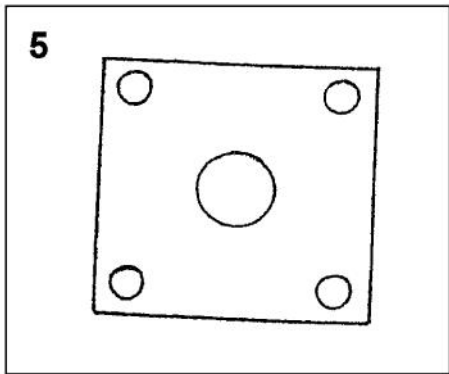
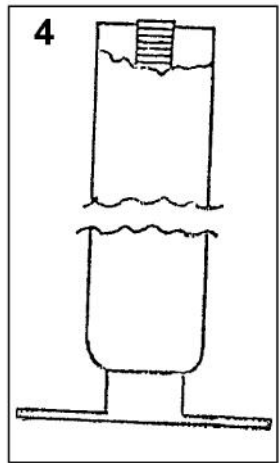
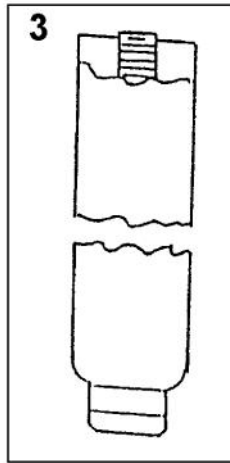
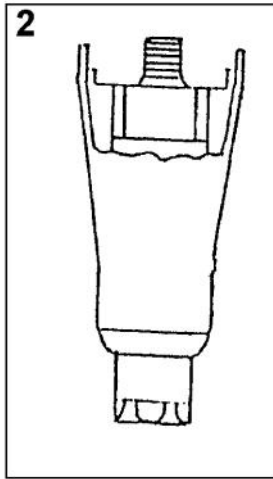
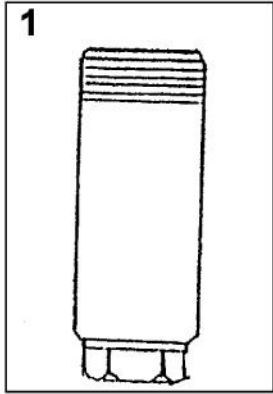
Ref #	Part Number	Qty.	Description
1	A2000122		VGR30LH DRIP PAN A3000595
	G3000596		DRIP TRAY - LEFT (36- 4G)
	A3000597		DRIP TRAY - LEFT (36 - 6B)
	G3000598		SUB TO G3000329 - DRIP PAN VGR 48
	A3000599		SUB TO A2000120 - DRIP PAN LH VGR 48 8B
2	A3000592		SUB TO A2000139 - DRIP PAN RH VGR30
	A3000593		SUB TO A2000130 - DRIP PAN RH VGR 36
	A3000594		SUB TO A2000131 - VGR RH 48 DRIP TRAY
3	B2000590		DRIP PAN HANDLE - LEFT VGR30 FORMED
	B2000566		DRIP PAN HANDLE - LEFT VGR36 FORMED
	B2000564		DRIP PAN HANDLE - LEFT VGR48 FRMD.
4	B2000591		DRIP PAN HANDLE - RIGHT VGR30 FRMD.
	B2000567		DRIP PAN HANDLE - RIGHT VGR36 FRMD.
	B2000565		DRIP PAN HANDLE - RIGHT VGR48 FRMD.
No.	PD010003		10-24 X 1/2 PH.TR.HD.SERD.M.S.
No.	PD030044		10-24 KEPS NUT SS
No.	PD040004		GROMMET BUMPER



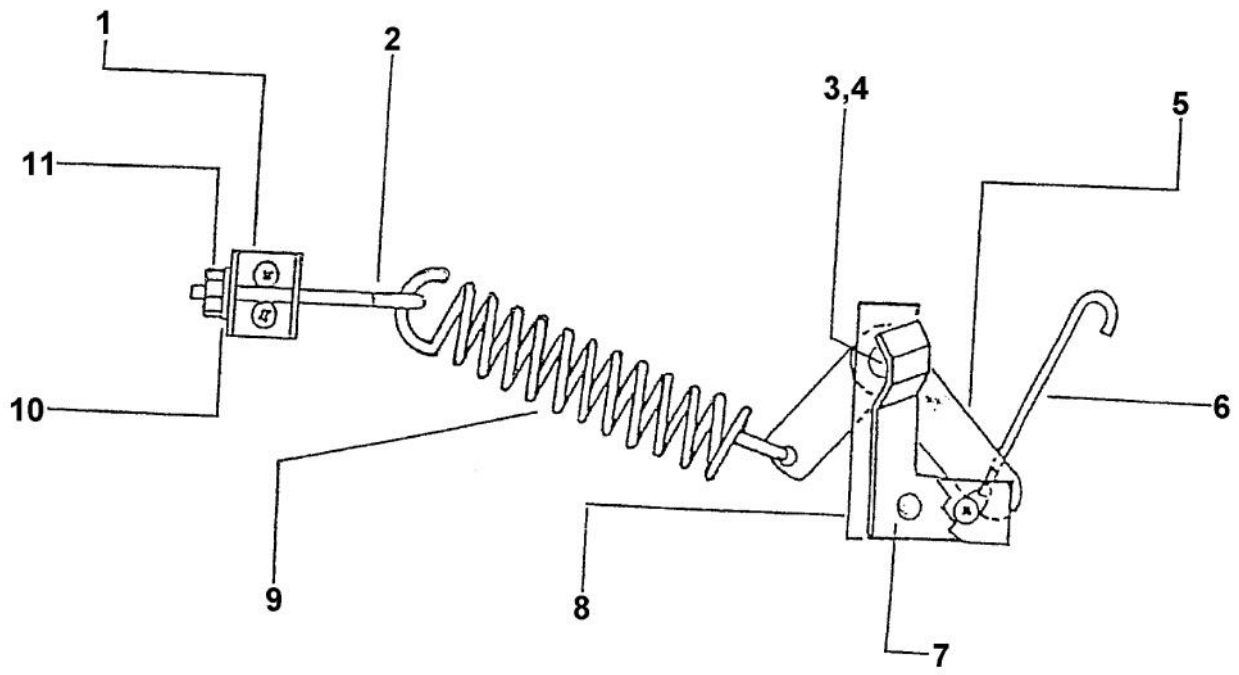
Ref #	Part Number	Qty.	Description
1	B2000232		BACK BURNER HOLDER - VGR30 FORMED
	B2000250		BACK BURNER HOLDER - VGR36 FORMED
	B2000070		BACK BURNER HOLDER - VGR48 FORMED
2	A2000688		FLUE BOX SHIELD - FORMED (SHORT)
	A2000689		FLUE BOX BODY - FORMED (SHORT)
3	PB070001		OVEN DR SEAL - SIDE
	PB070006		OVEN DR SEAL
	PB070005		OVEN DOOR SEAL - TOP (36)
	PB070003		OVEN DR SEAL - TOP 48
4	PE050003		OVEN LIGHT BULB
5	PE050004		OVEN LIGHT SOCKET
6	A2000039		OVEN BURNER SUPPORT - VGR48 FORMED
7	B2000085		OUTSIDE BODY PANEL FORMED S.S.
	C9000085AL		SIDE END PANEL
	C9000085BK		SIDE END PANEL
	C9000085FG		SIDE END PANEL
	C9000085VB		SIDE END PANEL
	C9000085WH		SIDE END PANEL
8	PD030001		SUB TO PD030011
	PD030014		SUB TO PD030001 - THERMAL BULB CLIP
9	C9300029		HINGE PLATE
10	G3200056		I/R BURNER VGR-48 REPL G3200379
11	PB060001		OVEN RACK SUPPORT
12	G9100038		OVEN SIDE LINER ASSY. (ENAMELED)
13	B2000238		LWR FRNT KICK PLATE FORM. 30 VGR
	C9000238AL		LOWER ACC PAN XALX (VGR30)
	C9000238BK		LOWER ACC PAN (VGR30)
	C9000238FG		LOWER ACC PAN XFGX (VGR30)
	C9000238VB		LOWER ACC PAN XVBX (VGR30)
	C9000238WH		LOWER ACC PAN XWHX (VGR30)
	B2000263		LWR FRONT KICK PLATE FORMED 36 VGR
	C9000263AL		FRONT LOWER ACC PAN 36
	C9000263BK		FRONT LOWER ACC PAN 36
	C9000263FG		FRONT LOWER ACC PAN 36
	C9000263VB		FRONT LOWER ACC PAN 36
	C9000263WH		FRONT LOWER ACC PAN
	B2000102		LWR FRONT KICK PLATE FORMED 48 VGR
	C9000103AL		FRONT LOWER ACC PAN 48, - AL
	C9000103BK		FRONT LOWER ACC PAN 48, - BK
	C9000103FG		FRONT LOWER ACC PAN 48, - FG
	C9000103VB		FRONT LOWER ACC PAN 48, - VB
	C9000103WH		FRONT LOWER ACC PAN 48, - WH



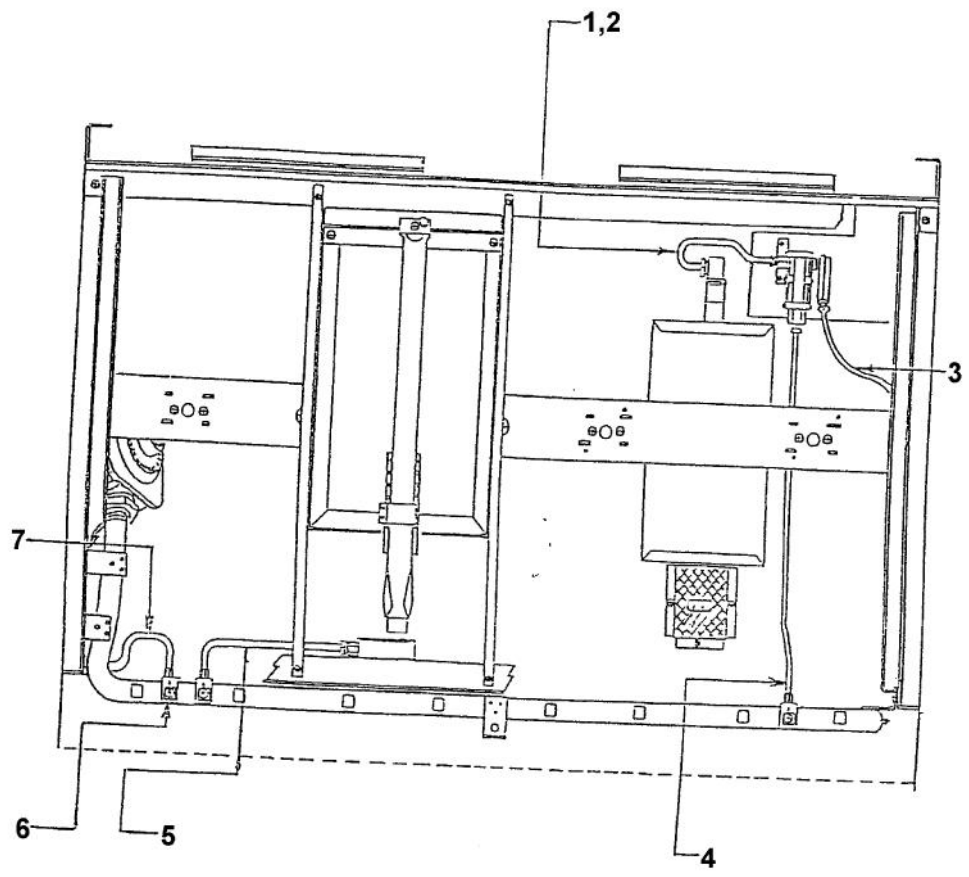
Ref #	Part Number	Qty.	Description
1	PB010024		DUAL THERMAL VALVE NAT.(20000 BTU)
	PB010028		DUAL THERMAL VALVE - VCM 36
2	PB010004		SINGLE SAFETY VALVE (NAT. GRIDDLE)
	PB010002		SINGLE THERMAL VALVE - OVEN
3	PB050002		BURNER OVEN/GRIDDLE
4	PB040006		SUB TO 007534-000 - 90DG. ORIFICE ELBOW NAT.(20000 BT...
	PB040008		90 DEGREE ORIFICE ELBOW - 36
	PB040011		90 DEGREE ORIFICE ELBOW - 48
5	PB040001		IGNITOR - (ALL RANGES)
6	G9100278		BOTTOM PAN ASSY.30 (VGR)
	G9100279		BOTTOM PAN ASSY.36(ENAMELED)
	G9100081		OVEN BTM.PAN ASS'Y,(ENAMELED)VGR48
7	PB060003		OVEN RACK 24 - VGR 30
	PB060004		OVEN RACK 28 VGR 36
	PB060002		OVEN RACK 20 - VGR 48



Ref #	Part Number	Qty.	Description
1	N/Ax		ADJUSTABLE LEG MUST ORDER No.6 AND No.7
2	N/Ax		ADJUSTABLE LEG - 1/2 MUST ORDER No.6 AND No.7
3	N/Ax		ADJUSTABLE LEG - 1/2 MUST ORDER No.6 AND No.7
4	N/Ax		ADJUSTABLE LEG - 1/2 MUST ORDER No.6 AND No.7
5	N/Ax		LEG PLATE - 1/2 MUST ORDER No.6 AND No.7
6	PC030018		LEG (6) 2 3/8 REPLA PC030006
7	PC030007		LEG PLATE - 3/4 THREADED HOLE



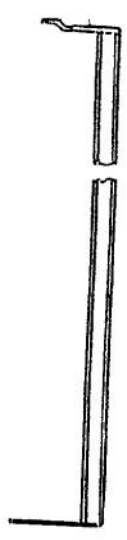
Ref #	Part Number	Qty.	Description
1	A2000012		EYE BOLT BRACKET (FORMED)
2	PD010001		EYE BOLT
3	PD030003		TINNERMAN CLIP (ROCKER ARM PIN)
4	PC920168		PIN CLEVIS
5	PC020002		ROCKER ARM
6	PC060001		DRAG LINK
7	A2000447		ROCKER ARM PIN RETAINER - FORMED
8	A2000013		DOOR ROCKER ARM BRACKET (FORMED)
9	PC010001		EXTENSION SPRING
10	PD040006		1/4 FLAT WASHER 1/16 X 3/4
11	PD030008		HEX NUT



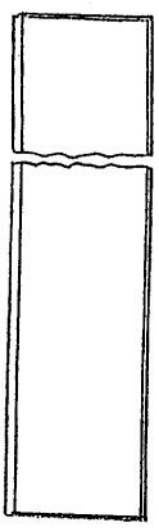
Ref #	Part Number	Qty.	Description
1	F2000413		BROILER TUBING - VCM
2	F2000217		BROILER TUBING - VGR 30''''
	F2000218		BROILER TUBING - VGR 36
	F2000216		BROILER TUBING - VGR 48''''
3	F2000214		OVEN SUPPLY TUBING - VGR 30''''
	F2000215		SUB TO PB020107 - TUBING SUPPLY
	F2000213		OVEN SUPPLY TUBING - VGR 48
	F2000419		OVEN SUPPLY TUBING - VCM 36''''
	F2000417		OVEN SUPPLY TUBING - VCM 48''''
4	F2000211		DUAL VALVE TUBING - VGR
5	F2000333		GRIDDLE SUPPLY TUBING - 12
	F2000334		GRIDDLE SUPPLY TUBING - 24''''
6	PB030002		SUB TO 003862-000 - SHUTOFF VALVE
7	F2000219		SUB TO PB020112 - TUBING
	F2000418		TUBING MAIN OVEN SUPPLY LEFT VCM48

Side Trim

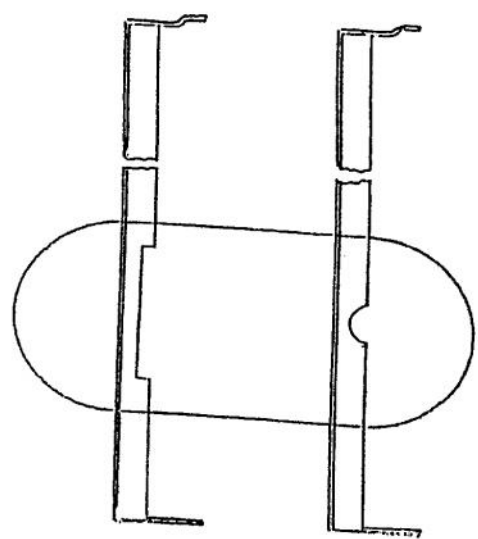
1



Left Side View



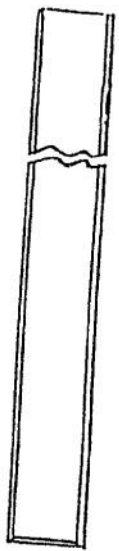
Front View



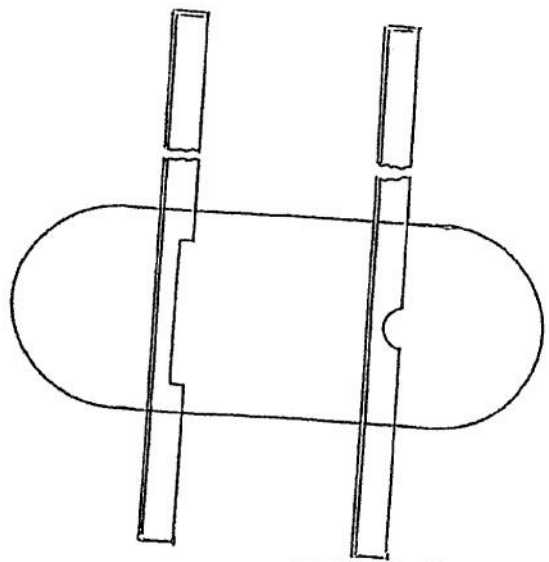
Reg. Prod.

Limited Prod.

Right Side View



Front View

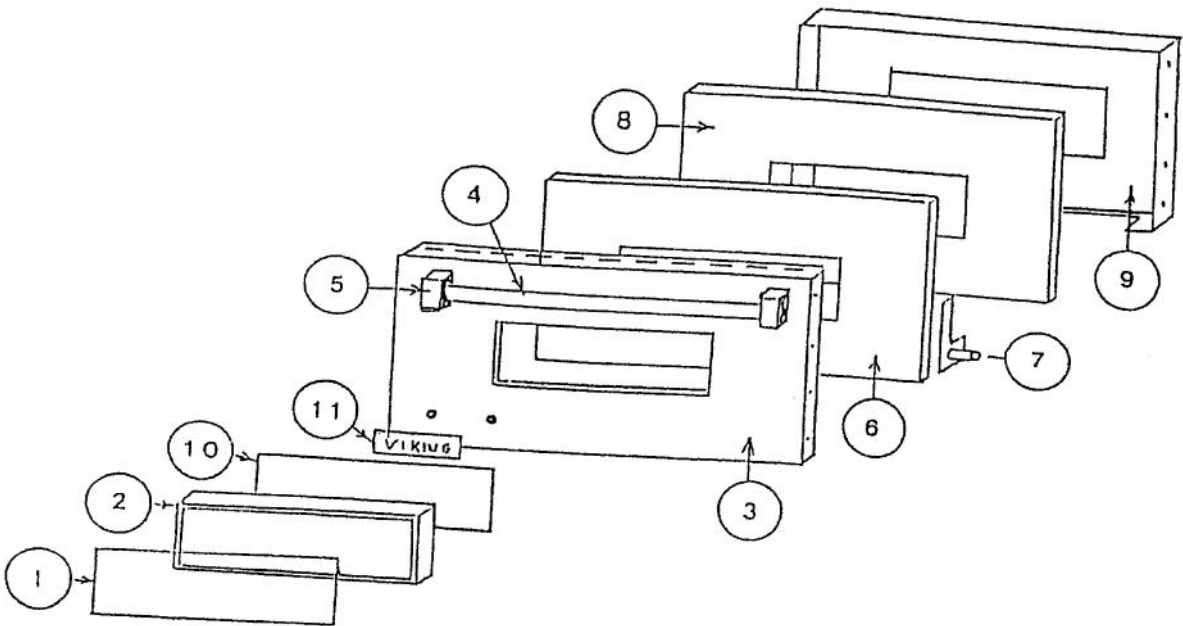


Reg. Prod.

Limited Prod.

Right Side View

Ref #	Part Number	Qty.	Description
1	B2000556		SIDE TRIM - VGR30 S.S. FORMED
	C9000556AL		SIDE TRIM - VGR30 ALMOND
	C9000556BK		SIDE TRIM - VGR30 BLACK
	C9000556FG		SIDE TRIM - VGR30 FOREST GREEN
	C9000556VB		SIDE TRIM - VGR30 VIKING BLUE
	C9000556WH		SIDE TRIM - VGR30 WHITE
	B2000557		SIDE TRIM - VGR36 S.S. FORMED
	C9000557AL		SIDE TRIM - XALX (VGR36)
	C9000557BK		SIDE TRIM - XBKX (VGR/VCM36)
	C9000557FG		SIDE TRIM - XFGX (VGR36)
	C9000557VB		SIDE TRIM - XVBX (VGR36)
	C9000557WH		SIDE TRIM - XWHX (VGR36)
	REG. PRODUCTION		FASTENS TO THE LEFT SIDE VERTICAL DOOR STOP
	B2000273		SIDE TRIM FORMED 30 VGR
	C9000273AL		SIDE TRIM - 30" (AL) - LIM. PRODUCTION
	C9000273BK		SIDE TRIM - 30" (BK) - LIM. PRODUCTION
	C9000273FG		SIDE TRIM - 30" (FG) - LIM. PRODUCTION
	C9000273VB		SIDE TRIM - 30" (VB) - LIM. PRODUCTION
	C9000273WH		SIDE TRIM - 30" (WH) - LIM. PRODUCTION
	B2000272		SIDE TRIM FORMED 36 VGR
	C9000272AL		SIDE TRIM - VGR36 ALMOND
	C9000272BK		SIDE TRIM - VGR36 BLACK
	C9000272FG		SIDE TRIM - VGR36 FOREST GREEN
	C9000272VB		SIDE TRIM - VGR36 VIKING BLUE
	C9000272WH		SIDE TRIM - VGR36 WHITE
	LIM. PRODUCTION		FASTENS INTO PLASTIC NUTS ON DOOR STOP
2	B2000040		CENTER TRIM XSSX (VGR48)
	C9000040AL		CENTER TRIM - XALX (VGR48)
	C9000040BK		CENTER TRIM - XBKX (VGR48)
	C9000040FG		CENTER TRIM - XFGX (VGR48)
	C9000040VB		CENTER TRIM - XVBX (VGR48)
	C9000040WH		CENTER TRIM - XWHX (VGR48)
	Reg. Production		FASTENS TO CENTER VERTICAL DOOR STOP
	B2000041		CENTER TRIM - VGR48 S.S. (L.PROD)
	C9000041AL		CENTER TRIM - VGR48 ALMOND (L.PROD)
	C9000041BK		CENTER TRIM - VGR48 BLACK (L.PROD)
	C9000041FG		CENTER TRIM - VGR48 F.GREEN (L.PROD)
	C9000041VB		CENTER TRIM - VGR48 V.BLUE (L.PROD)
	C9000041WH		CENTER TRIM - VGR48 WHITE (L.PROD)
	Lim. Production		FASTENS TO PLASTIC NUTS ON CENTER DOOR STOP



Ref #	Part Number	Qty.	Description
1	PE060003		J MOLD - 5/16 CORNER RADIUS
	PE060004		J MOLD - 1/2 CORNER RADIUS
2	PE060001		OVEN DR WINDOW
3	B2000226		DOOR PANEL FORMED 30 VGR W/O WINDOW
	C9000226AL		O/S DOOR PANEL - XALX 30 VGR N/W
	C9000226BK		O/S DOOR PANEL - XBKX 30 VGR N/W
	C9000226FG		O/S DOOR PANEL - XFGX 30 N/W
	C9000226VB		O/S DOOR PANEL - XVBX 30 N/W
	C9000226WH		O/S DOOR PANEL - XWHX 30 N/W
	B2000227		DOOR PANEL FORMED 30 VGR W/WINDOW
	C9000227AL		30" DOOR PANEL (WINDOW) - AL
	C9000227BK		30" DOOR PANEL (WINDOW) - BK
	C9000227FG		30" DOOR PANEL (WINDOW) - FG
	C9000227VB		30" DOOR PANEL (WINDOW) - VB
	C9000227WH		30" DOOR PANEL (WINDOW) - WH
	B2000260		DOOR PANEL FORMED VGR 36 W/O WINDOW
	C9000260AL		O/S DOOR PANEL - XALX 36 N/W
	C9000260BK		O/S DOOR PANEL - XBKX 36 N/W
	C9000260FG		O/S DOOR PANEL - XFGX 36 N/W
	C9000260VB		O/S DOOR PANEL - XVBX 36 N/W
	C9000260WH		O/S DOOR PANEL - XWHX 36 N/W
	B2000261		DOOR PANEL FORMED VGR 36 W/WINDOW
	C9000261AL		O/S DOOR PANEL - XALX 36 W/W
	C9000261BK		O/S DOOR PANEL - XBKX 36 W/W
	C9000261FG		O/S DOOR PANEL - XFGX 36 W/W
	C9000261VB		O/S DOOR PANEL - XVBX 36 W/W
	C9000261WH		O/S DOOR PANEL - XWHX 36 W/W
	B2000025		O/S DOOR PANEL - RH VGR48 NO WINDOW
	C9000025AL		O/S DOOR PANEL - XALX 48 N/W
	C9000025BK		O/S DOOR PANEL - XBKX 48 N/W
	C9000025FG		O/S DOOR PANEL - XFGX 48 N/W
	C9000025VB		O/S DOOR PANEL - XVBX 48 N/W
	C9000025WH		O/S DOOR PANEL - XWHX 48 N/W
	B2000027		O/S DOOR PANEL - RH VGR48 W/WINDOW
	C9000027AL		O/S DOOR PANEL - XALX W/W 48
	C9000027BK		O/S DOOR PANEL - XBKX W/W 48
	C9000027FG		O/S DOOR PANEL - XFGX W/W 48
	C9000027VB		O/S DOOR PANEL - XVBX W/W 48
	C9000027WH		O/S DOOR PANEL - XWHX W/W 48
	B2000026		O/S DOOR PANEL - LH VGR48 NO WINDOW
	C9000026AL		O/S DOOR PANEL - LH XALX 48 N/W
	C9000026BK		O/S DOOR PANEL - LH XBKX 48 N/W
	C9000026FG		O/S DOOR PANEL - LH XFGX 48 N/W
	C9000026VB		O/S DOOR PANEL - LH XVBX 48 N/W
	C9000026WH		O/S DOOR PANEL - LH XWHX 48 N/W
	B2000028		O/S DOOR PANEL - LH VGR48 W/WINDOW
	C9000028AL		O/S DR. PANEL - XALX W/W L. 48
	C9000028BK		O/S DR. PANEL -XBKX W/W L. 48
	C9000028FG		O/S DR. PANEL - XFGX W/W L. 48
	C9000028VB		O/S DR. PANEL - XVBX W/W L. 48
	C9000028WH		O/S DR. PANEL - XWHX W/W L. 48
4	PE030003		DOOR HANDLE 30
	PE030004		DOOR HANDLE - 36 VGR/VCM
	PE030002		DOOR HANDLE - 48 VGR/VCM
5	PE030001		BRACKET, DOOR, HANDLE
6	G3100280		DR. INSUL. PANEL ASSY. VGR30 (N/W)
	G3100282		DR. INSUL. PANEL ASSY. VGR36 (N/W)
	G3100023		DR. INSUL. PANEL ASSY. VGR48 (N/W)
	G3100281		DR. INSUL. PANEL ASSY. VGR30 (W/W)
	G3100283		DR. INSUL. PANEL ASSY. VGR36 (W/W)

Ref #	Part Number	Qty.	Description
	G3100283		DR. INSUL. PANEL ASSY. VGR36 (W/W)
	G3100024		DR. INSUL. PANEL ASSY. VGR48 (W/W)
7	C9300020		OVEN DOOR SIDE FRAME ASSEMBLY RIGHT
	C9300019		OVEN DOOR SIDE FRAME ASSEMBLY LEFT
8	D1000204		DOOR INSUL. PAD - VGR30 (N/W)
	D1000205		INSULATION - (SOLID) 36
	D1000203		DOOR INSUL. PAD - VGR48 (N/W)
	D1000208		DOOR INSUL. PAD - VGR30 (W/W)
	D1000207		DOOR INSUL. PAD - VGR36 (W/W)
	D1000206		DOOR INSUL. PAD - VGR48 (W/W)
9	E9100229		INNER DOOR LINER - NO WINDOW 30
	E9100247		INSIDE DOOR PANEL 36 SOLID
	E9100016		OVEN DOOR LINING - 48 NO WINDOW
	E9100230		INNER DOOR LINER W/WINDOW 30
	E9100248		OVN.DR.LINING WINDOW(ENAMELED)VGR36
	E9100017		OVEN DOOR LINING W/W 48 (ENAMELED)
10	PB070014		DOOR GLASS SEAL STRIP - WINDOW DRS.
11	PE010001		LOGO, PROFESSIONAL ASSY
	PE010002		LOGO - COMMERCIAL
No.	PD030006		CAPPED WASHER PAL NUT