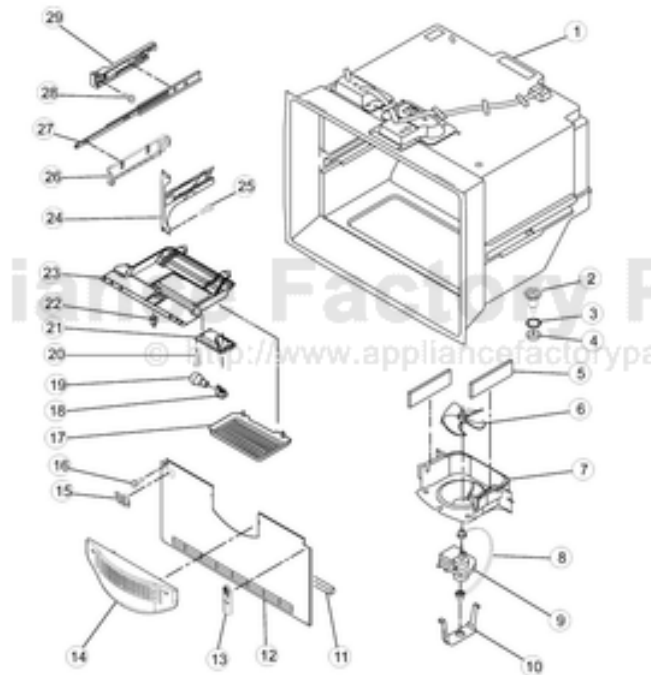


This Owner's Manual is provided and hosted by [Appliance Factory Parts](http://www.appliancefactoryparts.com).



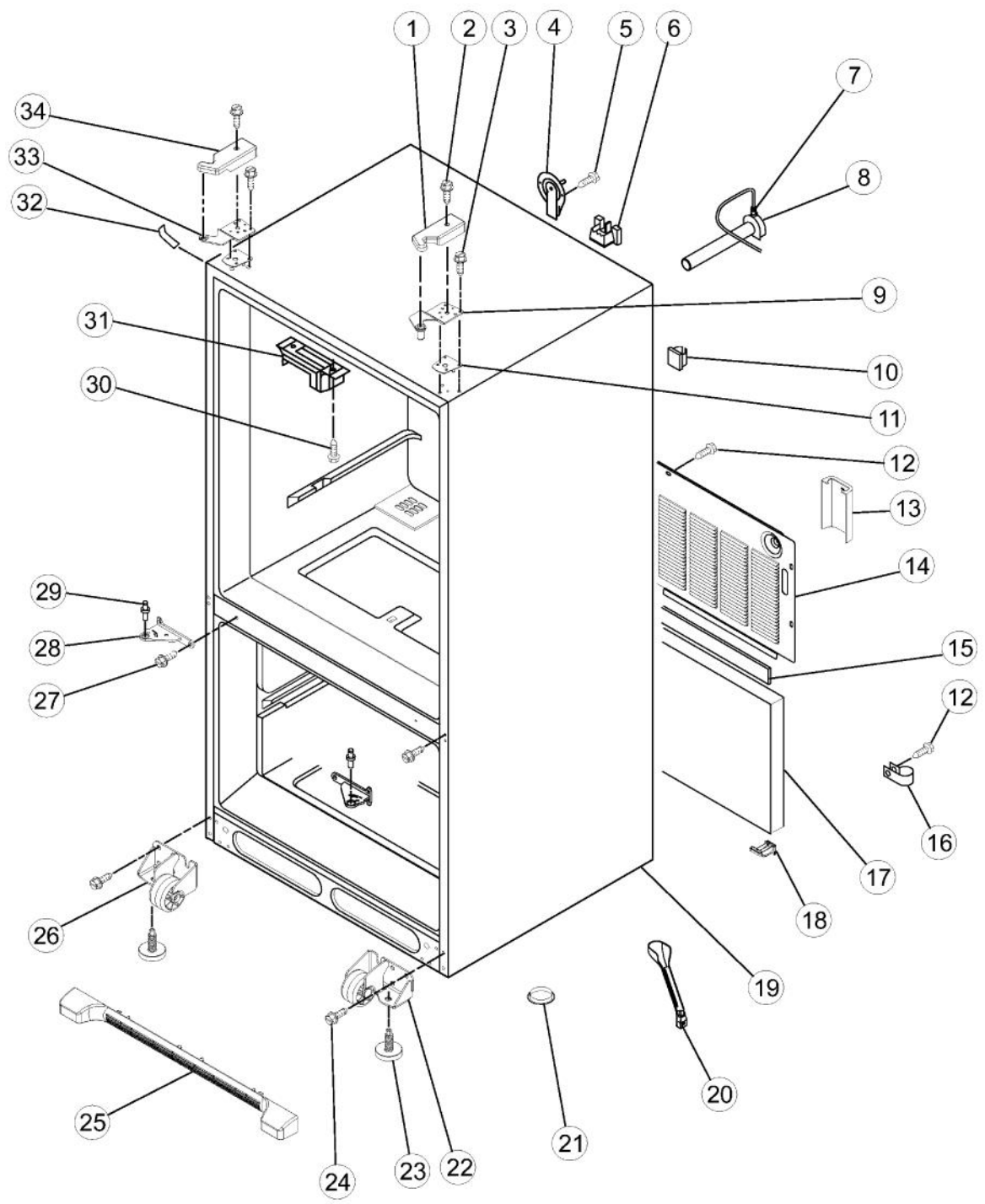
VIKING VCFF136SSS1 Owner's Manual

[Shop genuine replacement parts for VIKING
VCFF136SSS1](#)

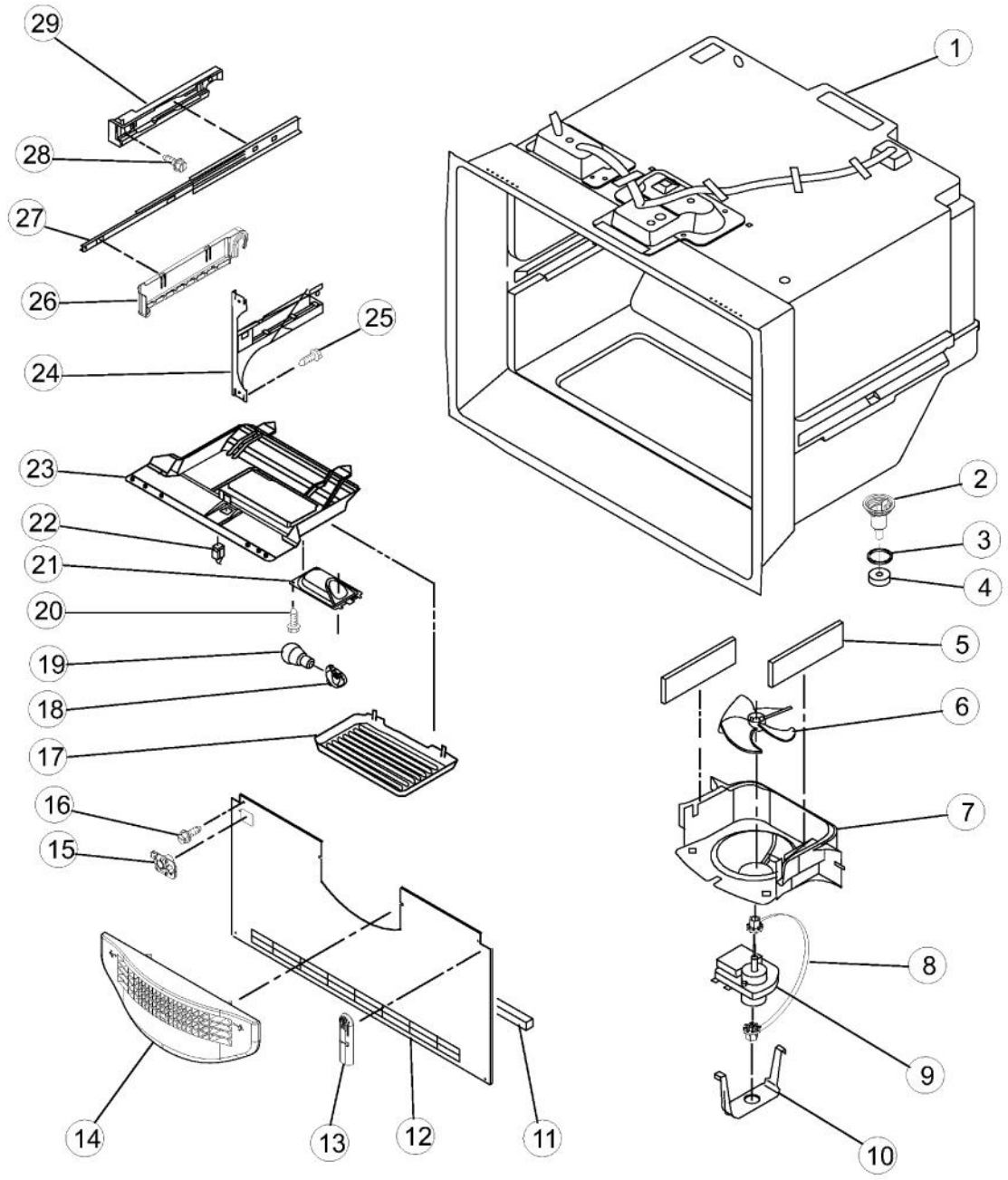


[Find Your VIKING Refrigerator Parts - Select From 341 Models](#)

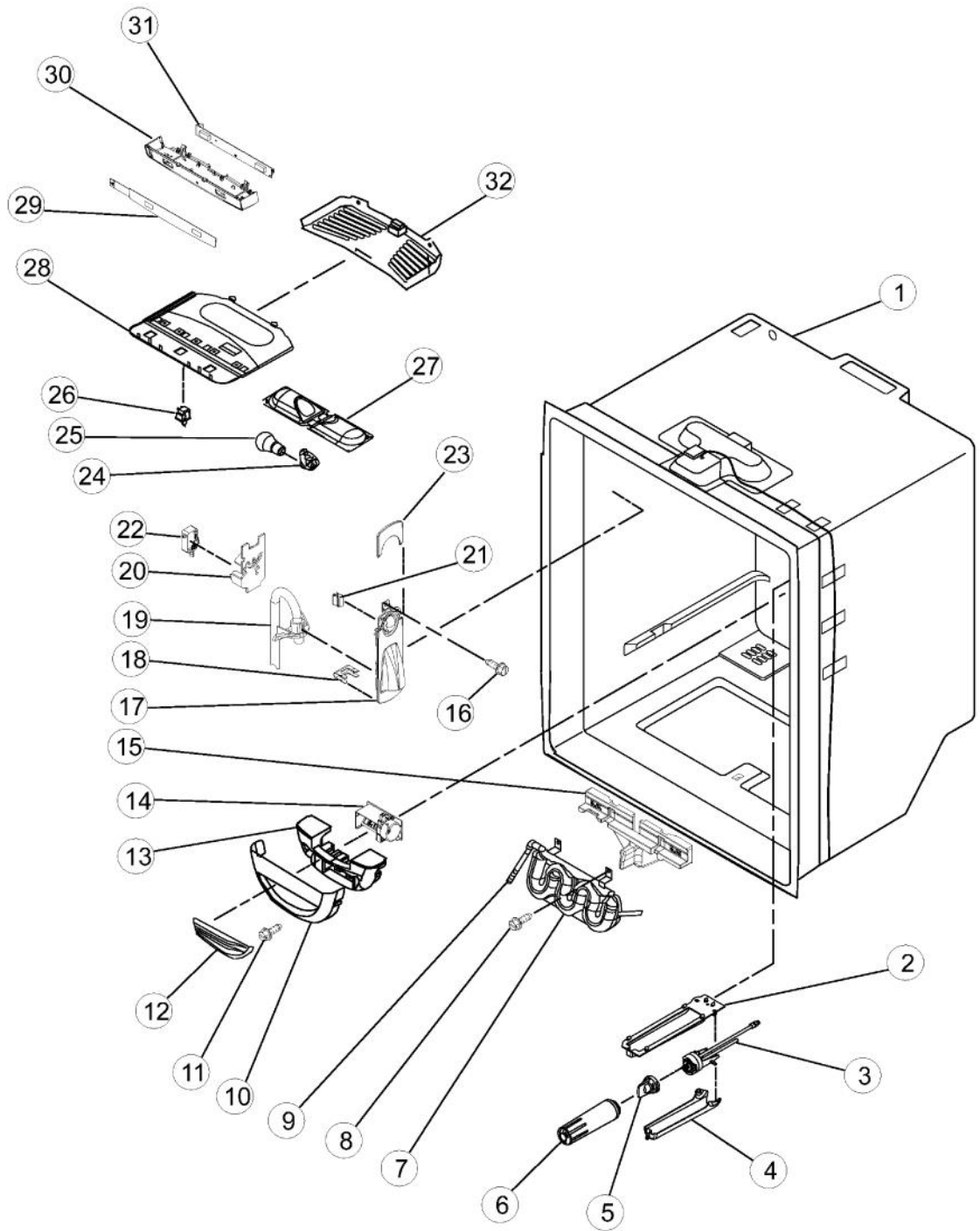
----- Manual continues below -----



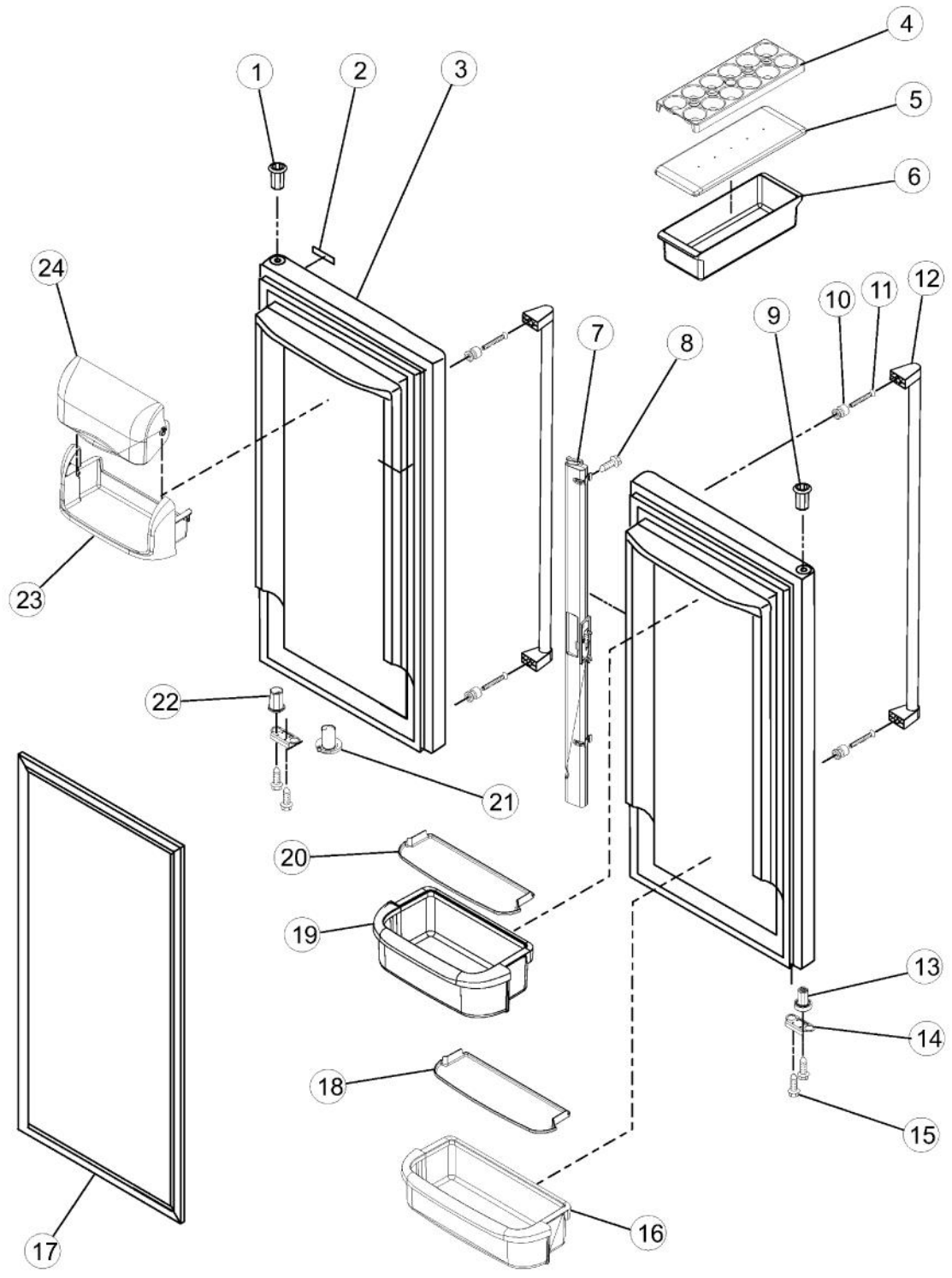
Ref #	Part Number	Qty.	Description
1	021452-000	1	COVER, RIGHT HINGE, APOLLO GREY
2	021734-000	2	SCREW
3	021733-000	6	SCREW
4	021685-000	1	COVER, WATER LINE
5	021711-000	1	SCREW
6	021688-000	1	BLOCK, FILL TUBE
7	021795-000	1	CLIP, SPEED
8	011496-000	1	ELBOW, FILL TUBE
9	PS400006	1	HINGE, TOP RIGHT
10	PS400180	2	CLIP
11	PS400221	2	SHIM, HINGE
12	021714-000	10	SCREW
13	021820-000	1	COVER-WATER VALVE
14	021823-000	1	COVER, UNIT
15	021790-000	1	GASKET, MC BACK
16	021794-000	1	CLAMP, TUBE
17	021697-000	1	FIBER, ACOUSTIC
18	021700-000	1	DUAL TUBE SWEEP
19	PS400091	1	SEAL, O-RING
20	021822-000	1	TUBE, DRAIN
21	PS400097	1	PLUG, BUTTON
22	021847-000	1	ROLLER ASSY., FRONT RIGHT
23	011488-000	1	BRAKE, FOOT
24	021728-000	8	SCREW
25	PS400103	1	TOE GRILLE (BLACK)
26	021848-000	1	ROLLER ASSY., FRONT LEFT
27	021730-000	6	SCREW
28	020629-000	2	HINGE, DOOR, APOLLO GRAY
29	021662-000	2	PIN, CENTER HINGE
30	021709-000	2	SCREW
31	021679-000	1	BLOCK, PIVOT
32	021403-000	2	COVER, CORNER, APOLLO GREY
33	021768-000	1	HINGE, TOP LEFT
34	021854-000	1	COVER, LEFT HINGE, APOLLO GREY



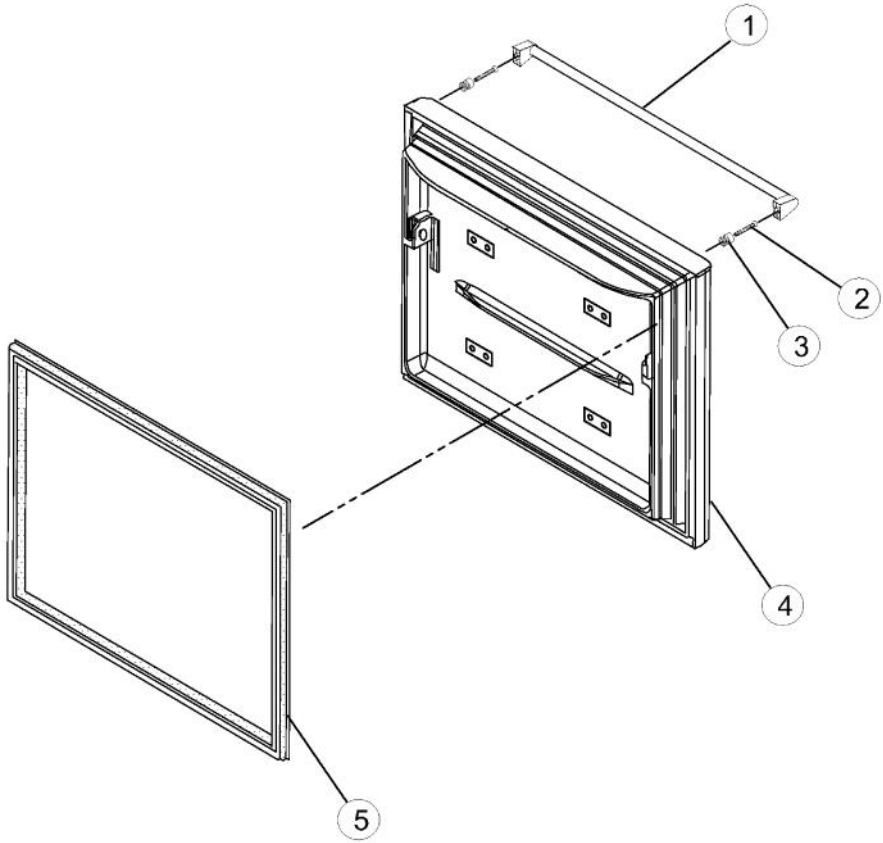
Ref #	Part Number	Qty.	Description
1	PS400091	1	SEAL, O-RING
2	PS400092	1	FUNNEL, DRAIN
3	PS400091	1	SEAL, O-RING
4	PS400090	1	GASKET, DRAIN TUBE
5	021787-000	1	GASKET, FOAM
6	021741-000	1	BLADE, FAN (EVAPORATOR)
7	021738-000	1	SHROUD, EVAPORATOR FAN
8	021804-000	1	GROMMET
9	021740-000	1	MOTOR, EVAPORATOR
10	021739-000	1	CLIP, EVAP MOTOR
11	021788-000	1	GASKET, FOAM
12	021667-000	1	COVER, EVAPORATOR
13	021696-000	1	COVER, THERMISTOR
14	021736-000	1	GRILLE, FZ AIR
15	021704-000	1	GUIDE, FILL TUBE
16	021714-000	4	SCREW
17	021689-000	1	COVER, FREEZER LIGHT
18	021765-000	1	SOCKET, LIGHT
19	021812-000	1	BULB, LIGHT
20	021783-000	1	SCREW
21	021759-000	1	HOUSING, LIGHT
22	021669-000	1	SWITCH, LIGHT
23	021690-000	1	MODULE, FREEZER CONTROL
24	011500-000	1	BRACKET, DOOR, LEFT
NI	011501-000	1	BRACKET, DOOR, RIGHT
25	021724-000	1	SCREW
26	021849-000	1	CRADLE, BASKET, LEFT
NI	021850-000	1	CRADLE, BASKET, RIGHT
27	021737-000	1	SLIDE, DRAWER
28	021710-000	6	SCREW
NI	021836-000	1	HARNESS, FZ MODULE
29	021840-000	1	ADAPTER, SLIDE, LEFT
NI	021841-000	1	ADAPTER, SLIDE - RIGHT



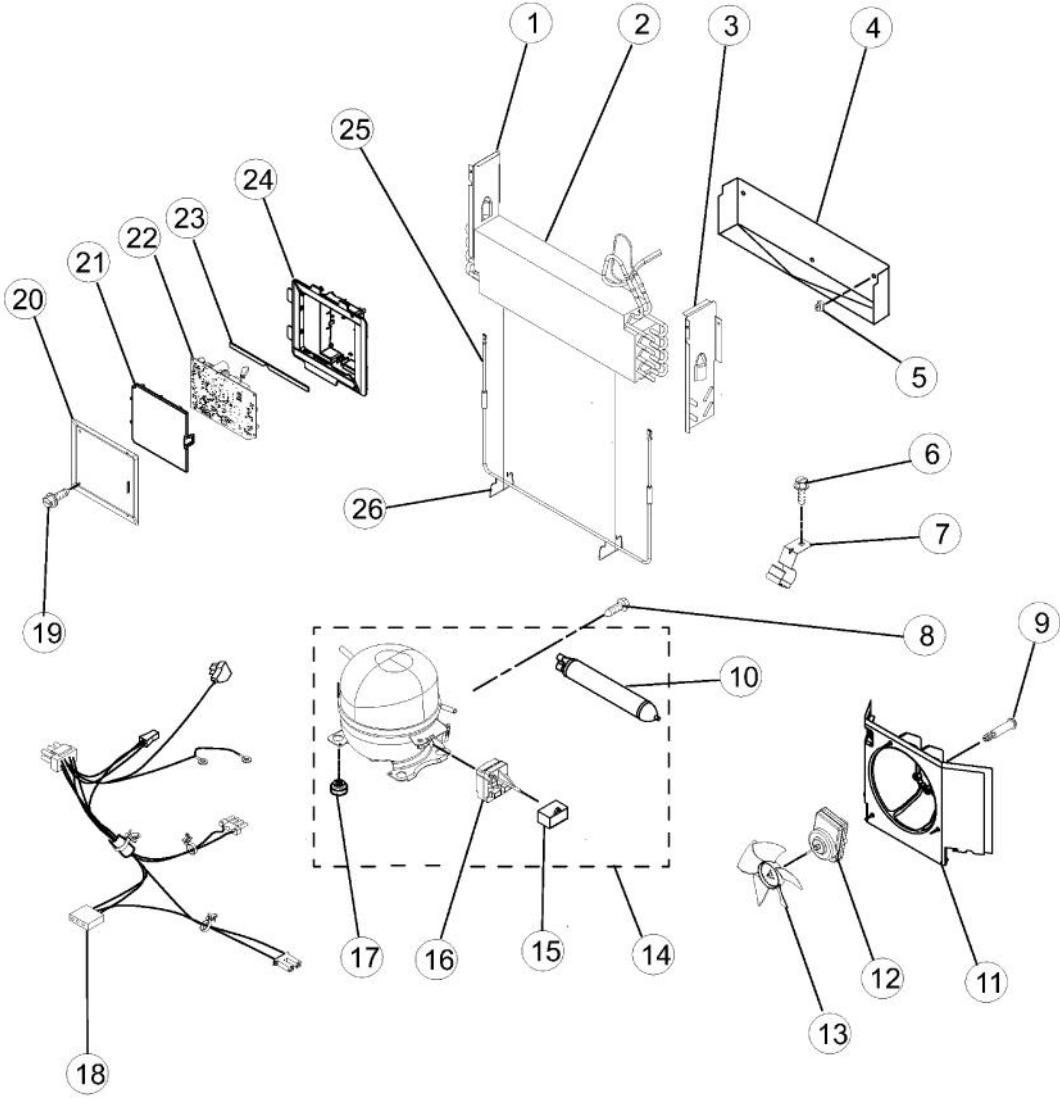
Ref #	Part Number	Qty.	Description
1	NON REPLACEABLE	1	OVEN CAVITY, 36 (G30014040)
2	021681-000	1	PLATE
3	021674-000	1	HEAD, WATER FILTER
4	PS400031	1	COVER, FILTER
5	021742-000	1	PLUG, BYPASS
6	SALES ITEM	1	WATER FILTER
7	021682-000	1	TANK, WATER
8	021717-000	2	SCREW
9	PS400040	1	UNION (5/16 X 5/16)
10	021694-000	1	COVER, DAMPER
11	021725-000	1	SCREW
12	021695-000	1	INSERT, DAMPER COVER
13	021735-000	1	INSULATION
14	021819-000	1	CONTROL, DAMPER
15	005401-000	1	INSULATION, WATER TANK
16	021719-000	1	SCREW
17	021775-000	1	FACADE, DISP.
18	021757-000	1	WATER LINE CLIP
19	021776-000	1	GUIDE, WATERLINE
20	021777-000	1	PLATE, SWITCH
21	021791-000	2	CLIP, FA?ADE
22	PS400035	1	SWITCH, LIMIT
23	021683-000	1	FA?ADE, DISPENSER (TOP)
24	021765-000	2	SOCKET, LIGHT
25	021812-000	2	BULB, LIGHT
26	021792-000	2	SWITCH, LIGHT
27	021781-000	1	LIGHT HOUSING
28	021691-000	1	MODULE, LIGHT
29	021826-000	1	OVERLAY
30	021692-000	1	HOUSING, CONTROL
31	021825-000	1	BOARD, CONTROL
32	021693-000	1	COVER, LIGHT



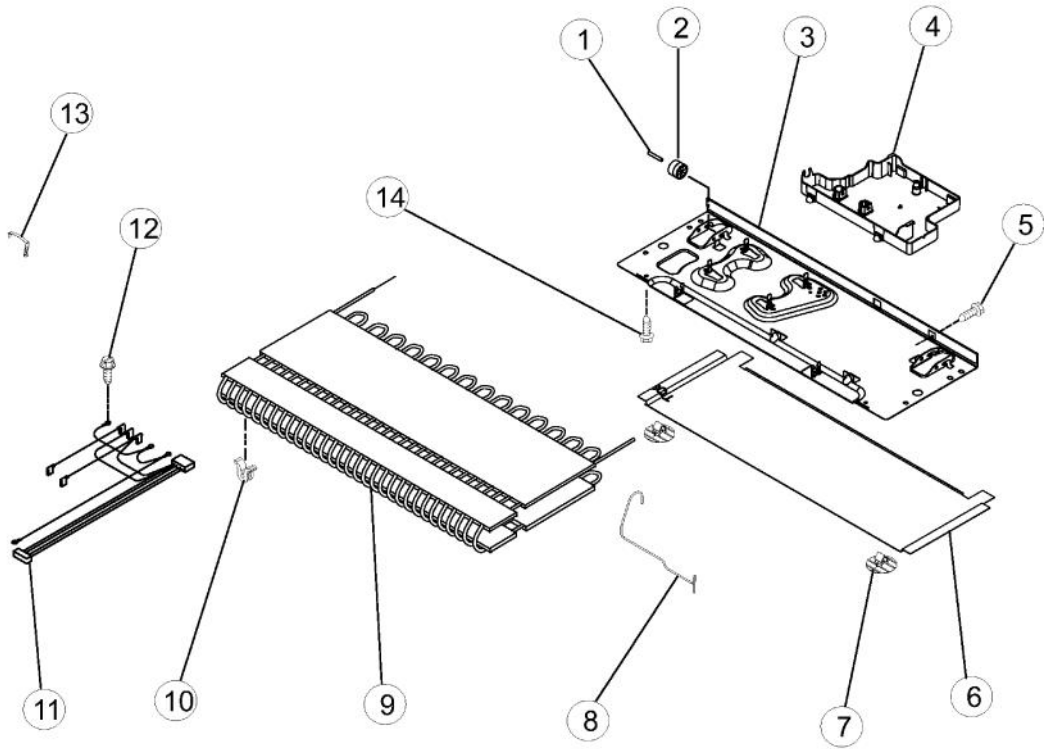
Ref #	Part Number	Qty.	Description
1	021859-000	1	BUSHING, DOOR, APOLLO GREY (UPPER RIGHT)
2	021569-000	1	NAMEPLATE (CONTACT VIKING)
3	021864-000	1	DOOR, RIGHT, STAINLESS
4	021748-000	1	TRAY, EGG
5	021747-000	1	LID, UTILITY
6	021746-000	1	BIN, UTILITY
7	021862-000	1	MULLION, DOOR, APOLLO GREY
8	021708-000	1	SCREW
9	021861-000	1	BUSHING, DOOR, APOLLO GREY (UPPER LEFT)
10	021567-000	4	STUD, HANDLE
11	011598-000	4	SCREW
12	021866-000	2	HANDLE, DOOR (SS)
13	021863-000	1	DOOR, LEFT, STAINLESS
14	021774-000	1	BUSHING, DOOR (BOTTOM LEFT)
15	021856-000	2	STOP, DOOR, APOLLO GREY
16	021711-000	4	SCREW
17	021680-000	2	BIN, SHELF (GAL-W/GRIPPER)
18	021868-000	2	GASKET, DOOR, APOLLO GREY
19	021764-000	1	GRIPPER, GALLON BUCKET
20	021701-000	3	BIN, SHELF (MED-W/GRIPPER)
21	021763-000	1	GRIPPER, MEDIUM BUCKET
22	021860-000	2	CLOSURE, DOOR, APOLLO GREY
23	021753-000	1	BUSHING, DOOR (BOTTOM RIGHT)
24	021758-000	1	TRAY, DAIRY
25	021780-000	1	DOOR, DAIRY



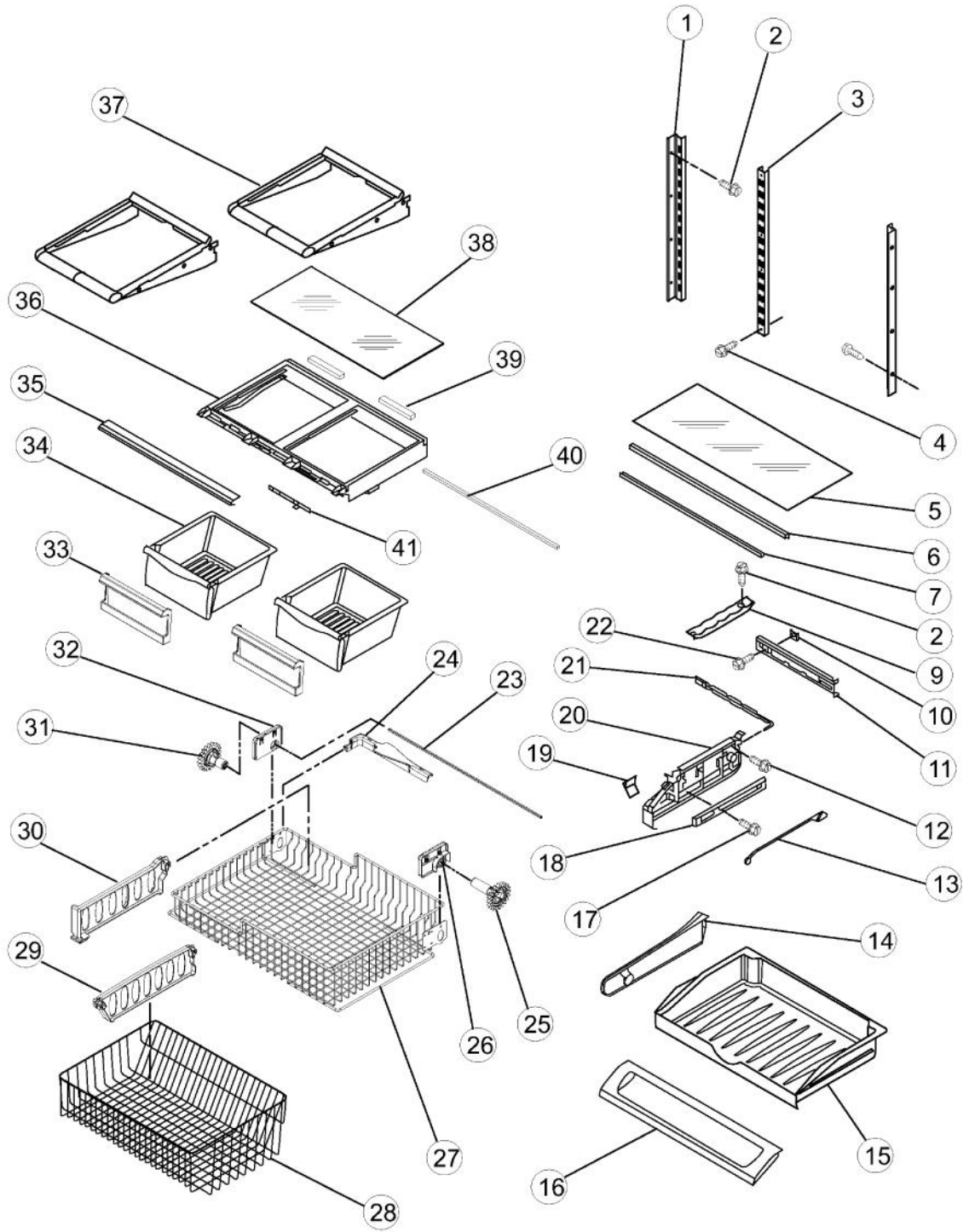
Ref #	Part Number	Qty.	Description
1	021866-000	1	HANDLE, DOOR (SS)
2	011598-000	2	SCREW
3	021567-000	2	STUD, HANDLE
4	021867-000	1	DOOR, FREEZER (SS)
5	021869-000	1	GASKET, FREEZER DOOR (BLACK)



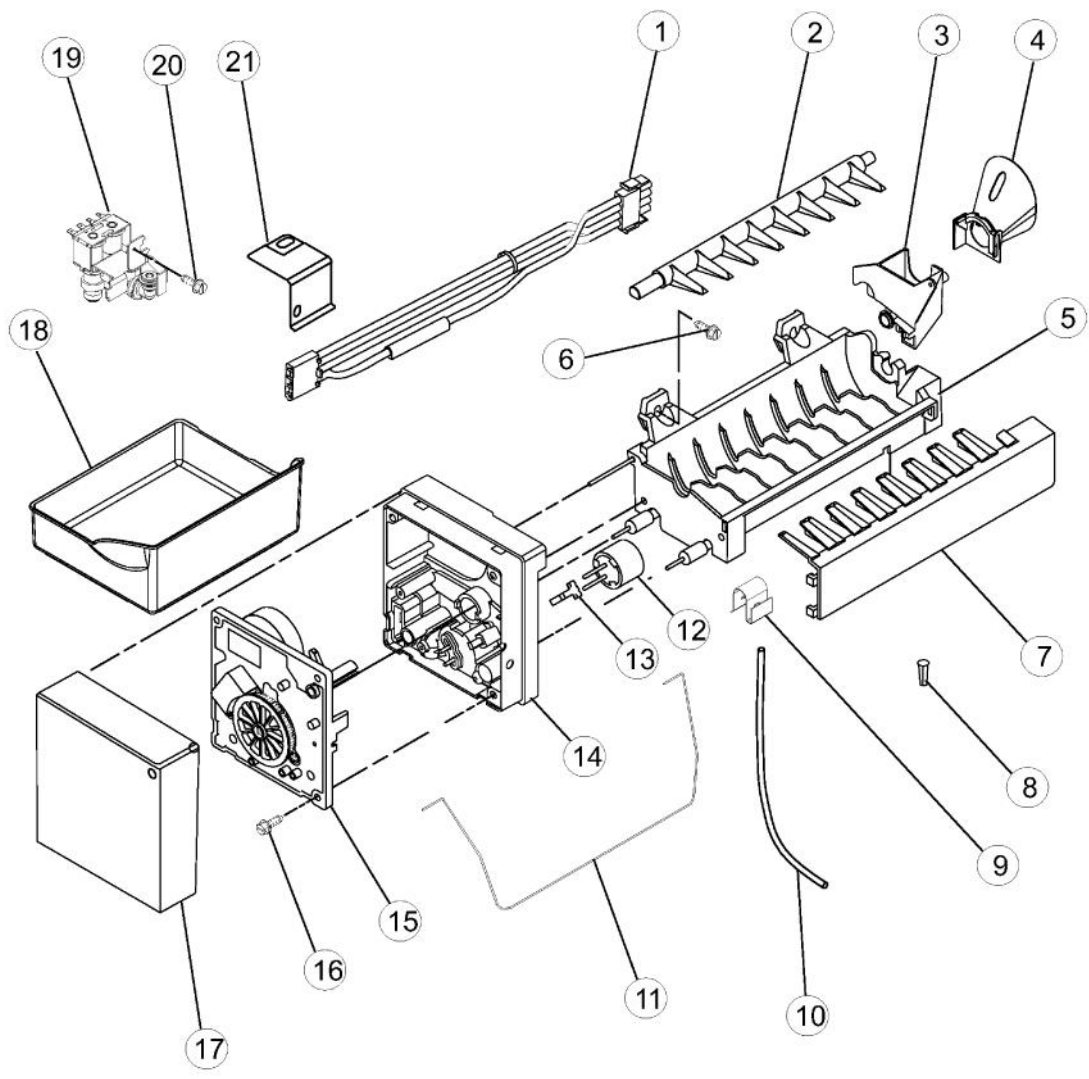
Ref #	Part Number	Qty.	Description
1	021666-000	1	DAM, RIGHT SIDE
2	021686-000	1	EVAPORATOR
3	021665-000	1	DAM, LEFT SIDE
4	021754-000	1	TRAY, DRIP
5	PS400124	1	CLIP, EVAPORATOR
6	021726-000	1	SCREW
7	011556-000	1	CLIP, DRIER
8	021731-000	1	SCREW, GROUND
9	021824-000	1	SCREW, SHOULDER
10	021799-000	1	DRIER
11	021810-000	1	SHROUD
12	021698-000	1	MOTOR, FAN
13	021699-000	1	BLADE, FAN
14	021797-000	1	COMPRESSOR KIT
15	021661-000	1	CAPACITOR
16	021814-000	1	START DEVICE
17	021750-000	4	GROMMET
18	021835-000	1	HARNESS, UNIT WITH POWER CORD
19	021727-000	1	SCREW
20	021707-000	1	COVER, CONTROL BOX
21	021705-000	1	LID, HV BOX
22	021816-000	1	BOARD, HV CONTROL (INC. INSTRUCTIONS)
23	021706-000	1	GASKET, HV CONTROL
24	021839-000	1	BOX, HV CONTROL
25	021687-000	1	HEATER, DEFROST
26	011548-000	2	CLIP, HEATER
NI	011546-000	1	THERMOSTAT, DEFROST



Ref #	Part Number	Qty.	Description
1	021671-000	2	AXLE - ROLLER
2	021670-000	2	ROLLER ASSY., REAR
3	021821-000	1	BASEPAN
4	021870-000	1	PAN, DRAIN
5	021714-000	1	SCREW
6	021817-000	1	EXTENSION - BASEPAN
7	021818-000	2	FASTENER - BASEPAN
8	021827-000	1	TUBE, DISCHARGE
9	021798-000	1	CONDENSER
10	021858-000	4	GROMMET
11	021831-000	1	HARNES, EVAP. HEATER
12	021731-000	1	SCREW, GROUND
13	021815-000	1	STRAP - BALE
14	021743-000	1	SCREW



Ref #	Part Number	Qty.	Description
1	021838-000	2	LADDER, RH / LH
2	021719-000	6	SCREW
3	021846-000	1	LADDER, CENTER
4	021723-000	2	SCREW
5	021664-000	1	GLASS, PANTRY
6	021773-000	2	SUPPORT, PANTRY
7	021756-000	2	BRACE, PANTRY
9	021672-000	1	TRACK, PANTRY
10	021678-000	1	GASKET, PANTRY
11	021677-000	1	HOUSING, CONTROL
12	021717-000	4	SCREW
13	021675-000	1	ROD, TEMP CONTROL
14	021684-000	1	DIVIDER, PANTRY DRAWER
15	021772-000	1	DRAWER, PANTRY
16	021745-000	1	DOOR, PANTRY DRAWER
17	021711-000	4	SCREW
18	021786-000	2	GLIDE, DRAWER
19	021771-000	1	KNOB, TEMP CONTROL
20	PS400076	1	END CAP, LH PANTRY
21	021676-000	4	SLIDE TEMPERATURE
22	021719-000	1	SCREW
23	021782-000	1	SHAFT-RACK
24	021801-000	1	LIFT-BALL ARM
25	021800-000	1	GEAR, LONG-RIGHT
26	021834-000	1	MOUNT-GEAR - RIGHT
27	021809-000	1	BASKET, FREEZER (UPPER)
28	021802-000	1	BASKET, FREEZER (LOWER)
29	021803-000	1	DIVIDER, LOWER BASKET
30	021837-000	1	DIVIDER, UPPER BASKET
31	021805-000	1	GEAR, SHORT-LEFT
32	021833-000	1	MOUNT-GEAR - LEFT
33	021778-000	1	FRONT, CRISPER PAN
34	021761-000	2	CRISPER PAN
35	021832-000	1	TRIM, CRISPER
36	021762-000	1	FRAME, CRISPER
37	021668-000	4	GLIDE, PANTRY DRAWER
38	021744-000	1	GLASS, CRISPER
39	021857-000	1	GASKET
40	021755-000	1	BRACE, CRISPER
41	021760-000	1	SLIDE, HUMIDITY CONTROL
NI	PS400077	1	END CAP, RH PANTRY



Ref #	Part Number	Qty.	Description
1	011580-000	1	MOLD & HEATER ASSEMBLY
2	021702-000	1	ARM, SHUTOFF
3	011581-000	1	CUP, FILL
4	PS400199	1	ICE EJECTOR
5	PS400200	1	ICE STRIPPER
6	011584-000	1	SUPPORT, HOUSING
7	011585-000	1	RETAINER, THERMOSTAT
8	021387-000	1	THERMOSTAST
9	011588-000	3	SCREW
10	017060-000	1	PAN, ICE
12	021673-000	1	VALVE, WATER INLET
13	PS400178	1	INSERT, TUBE
14	021789-000	1	TUBING, PLASTIC
15	021793-000	1	HARNNESS, ICE MAKER
16	011577-000	1	BRACKET, ICE MAKER
17	021729-000	1	SCREW
18	PS400368	1	COVER, ICE MAKER
19	021830-000	1	MODULE ASSEMBLY
20	021855-000	3	SCREW
21	017065-000	1	CLIP
22	021703-000	1	FUNNEL, FILL TUBE
NI	021811-000	1	ICEMAKER ASSY

*No Image
Available*

Ref #	Part Number	Qty.	Description
1	022840-000	1	HARNES, CONTROL, REF. (INCLUDES THERMISTOR) INCLUDES THERMISTOR