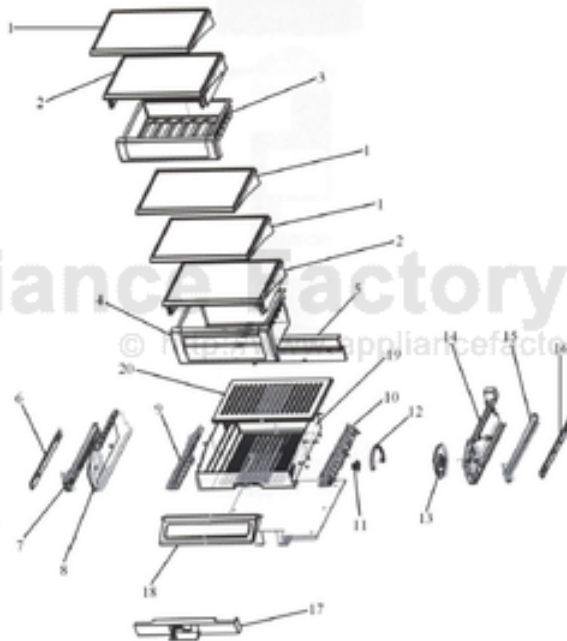


This Owner's Manual is provided and hosted by [Appliance Factory Parts](#).



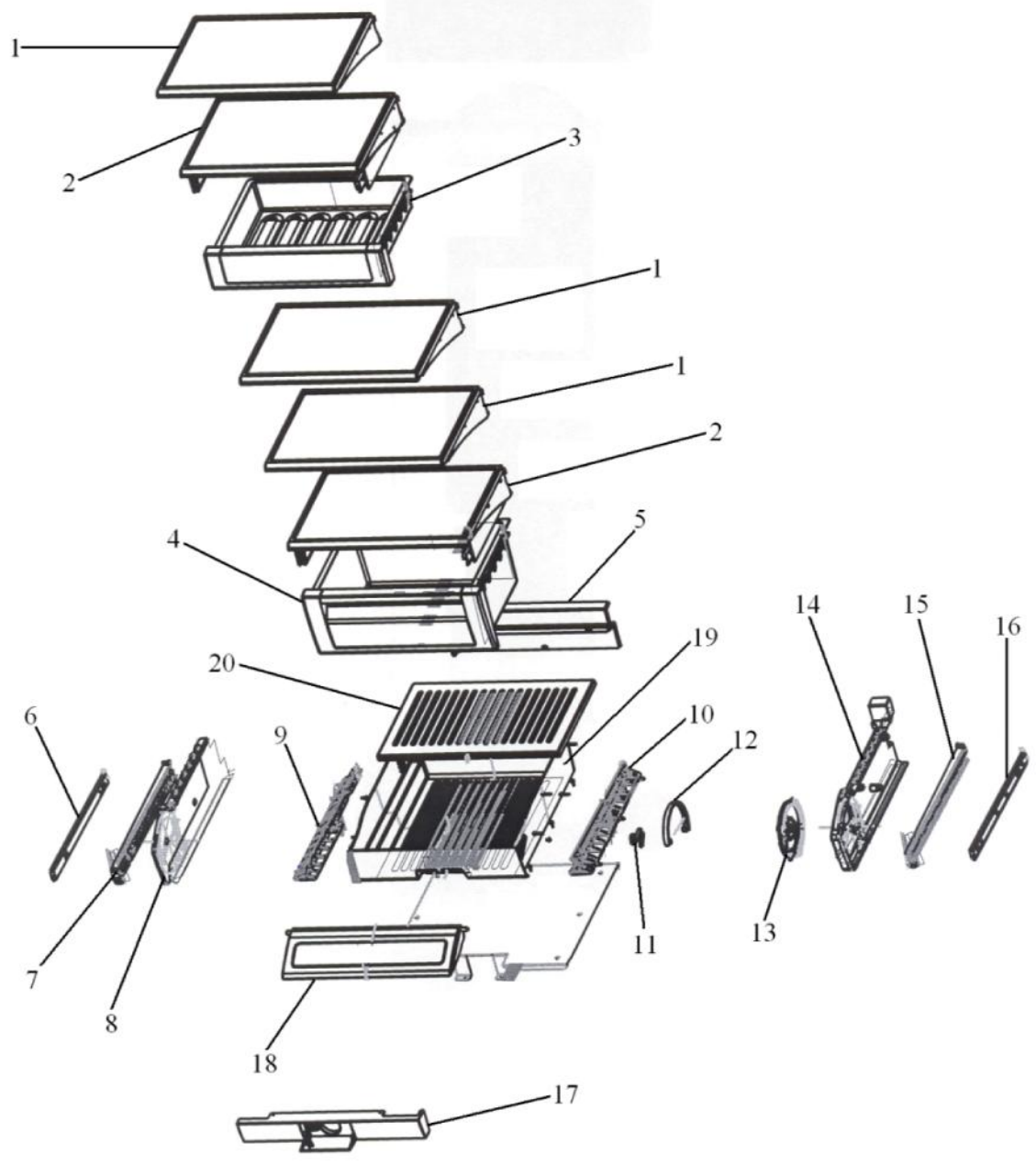
VIKING VCSB423D_G_SERIES Owner's Manual

[Shop genuine replacement parts for VIKING
VCSB423D_G_SERIES](#)

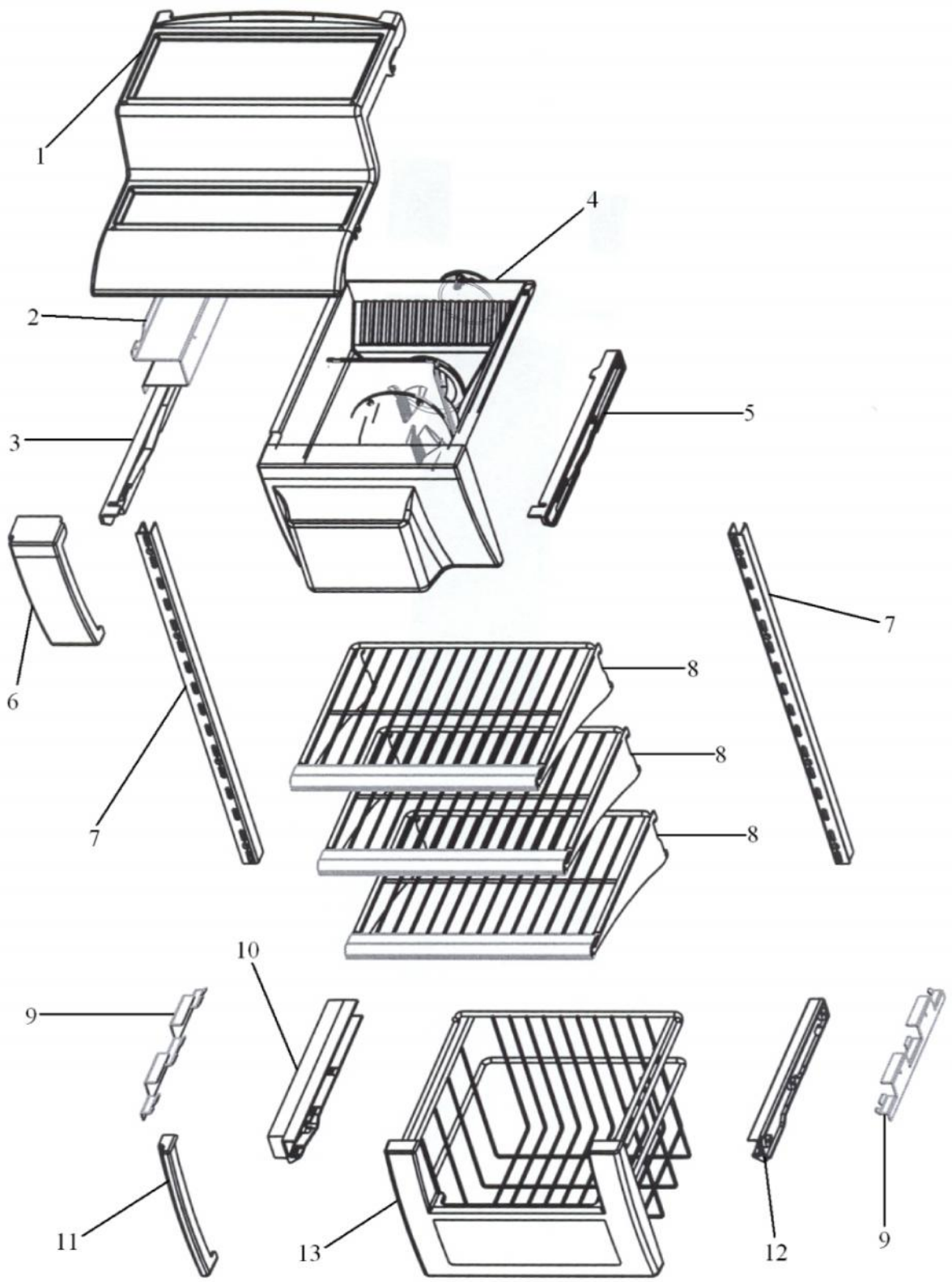


[Find Your VIKING Refrigerator Parts - Select From 341 Models](#)

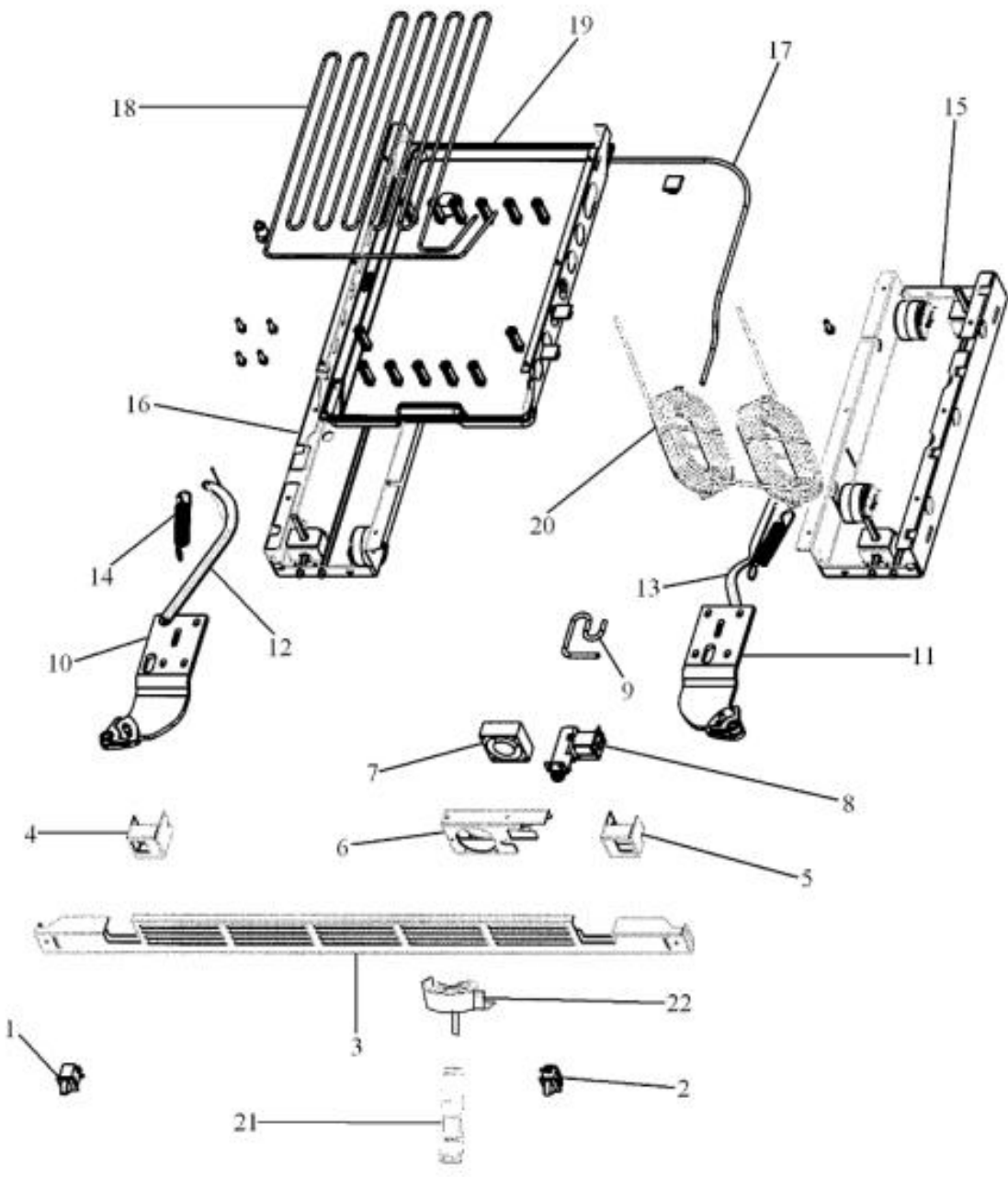
----- Manual continues below -----



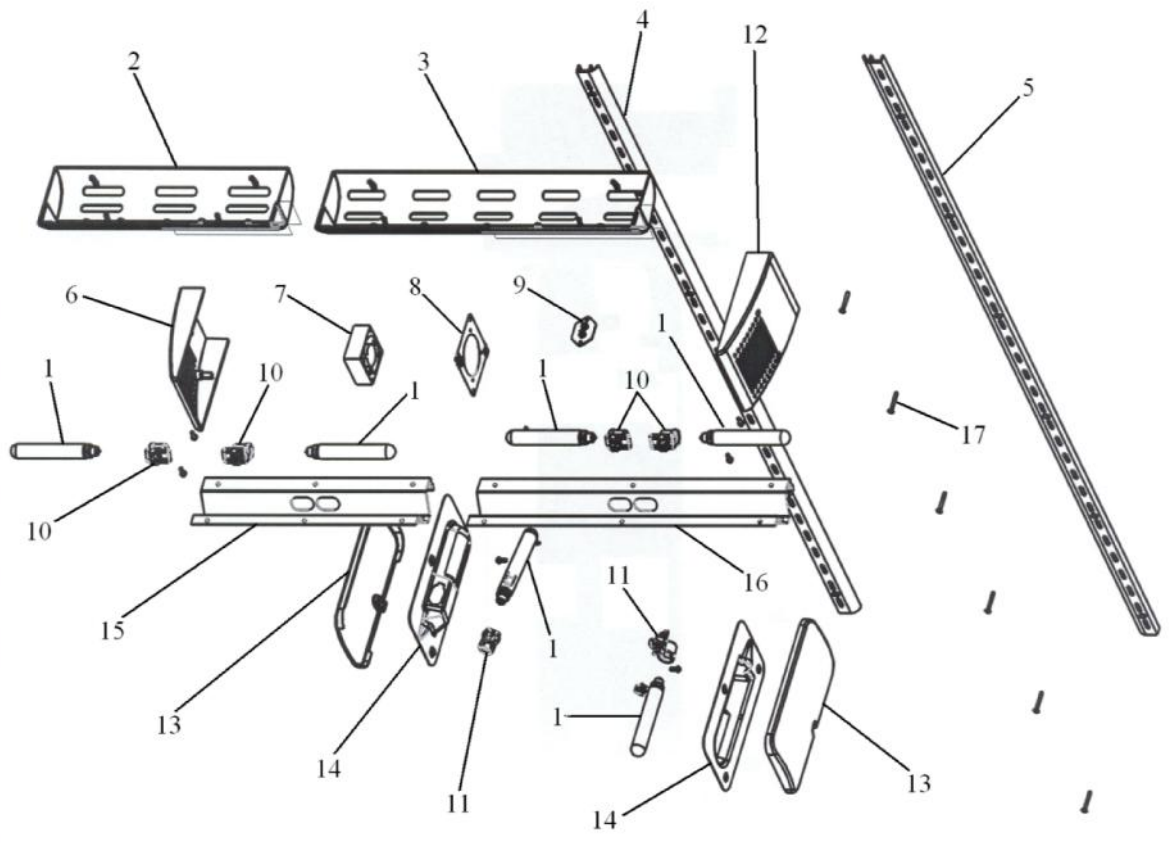
| Ref # | Part Number | Qty. | Description |
|-------|-------------|------|---------------------------------------|
| 1 | PM910236 | | GLASS SHELF |
| 2 | G5099426 | | SHELF & SLIDE ASM SXS 42 |
| 3 | G32910068 | | DRAWER DELI & RAIL ASM SXS 42 |
| 4 | G32910069 | | PRODUCE DRAWER & RAIL ASM SXS 42 |
| 5 | PK930171 | | DUCT MEAT SAVOR SXS 42 REAR |
| 6 | PM910288 | | SLIDE MEAT SAVOR L |
| 7 | PK930176 | | SUPPORT DRAWER MEAT SAVOR 42/48 L |
| 8 | PK930170 | | DUCT MEAT SAVOR SXS 42 L |
| 9 | PK930174 | | SUPPORT SLIDE MEAT SAVOR SXS 42/48 L |
| 10 | PK930173 | | SUPPORT SLIDE MEAT SAVOR SXS 42/48 R |
| 11 | PM910334 | | ROLLER TENSION |
| 12 | PK930172 | | COVER CONTROL MEAT SAVOR |
| 13 | PK930168 | | DIAL CONTROL MEAT SAVOR |
| 14 | PK930169 | | DUCT MEAT SAVOR SXS 42/48 R |
| 15 | PK930175 | | SUPPORT DRAWER MEAT SAVOR SXS 42/48 R |
| 16 | PM910287 | | SLIDE MEAT SAVOR R |
| 17 | G50910716 | | FALSE FRONT ASM, SXS 42 DISP |
| 18 | PK930119 | | DELI LID |
| 19 | PK930114 | | DRAWER MEAT SAVOR SXS 42 |
| 20 | PK930120 | | SHELF MEAT SAVOR SXS 42 |
| NI | PM910332 | | ACCESORY ASSY |



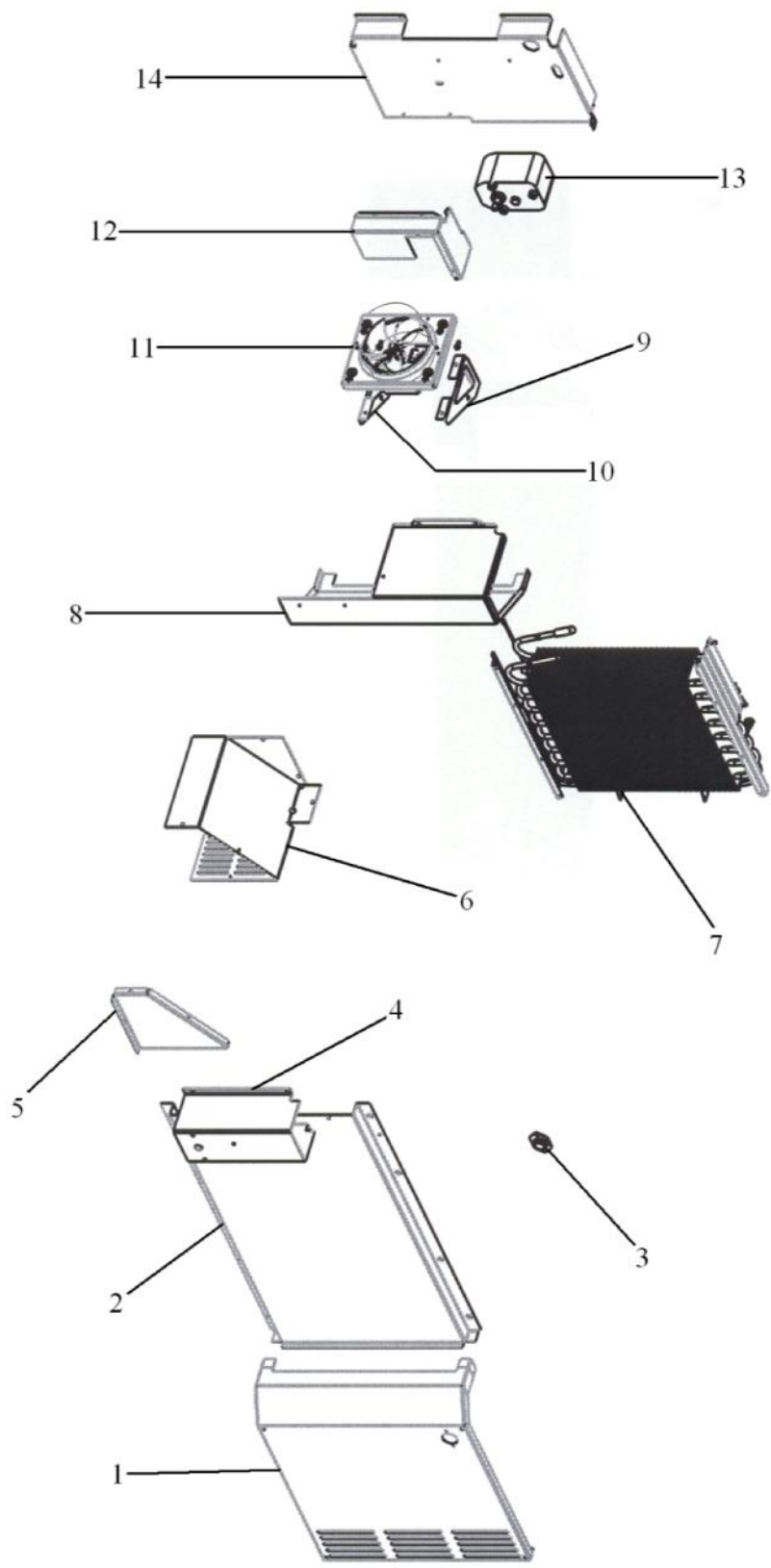
| Ref # | Part Number | Qty. | Description |
|-------|-------------|------|-----------------------------|
| 1 | PK930264 | | SHELF COVER |
| 2 | C20910027 | | SUPPORT, LS ICE BUCKET |
| 3 | PK930266 | | GLIDE L FZ |
| 4 | PM910331 | | ICE BUCKET ASSY |
| NI | G50911858 | | ICE MAKER ASM, SXS ND, AF |
| 5 | PK930265 | | GLIDE R FZ |
| 6 | PK930096 | | CLOSEOUT - ICE DISPENSER |
| 7 | PM910375 | | LADDER R/L FZ |
| 8 | PM910189 | | SHELF WIRE FZ |
| 9 | C20910067 | | BRACKET SHELF FZ |
| 10 | PK930075 | | GLIDE SXS 48 FZ L |
| 11 | PK930107 | | FZ BASKET SIDE SPACER FRONT |
| 12 | PK930074 | | GLIDE SXS 48 FZ R |
| 13 | PM910190 | | BASKET ASM FZ |



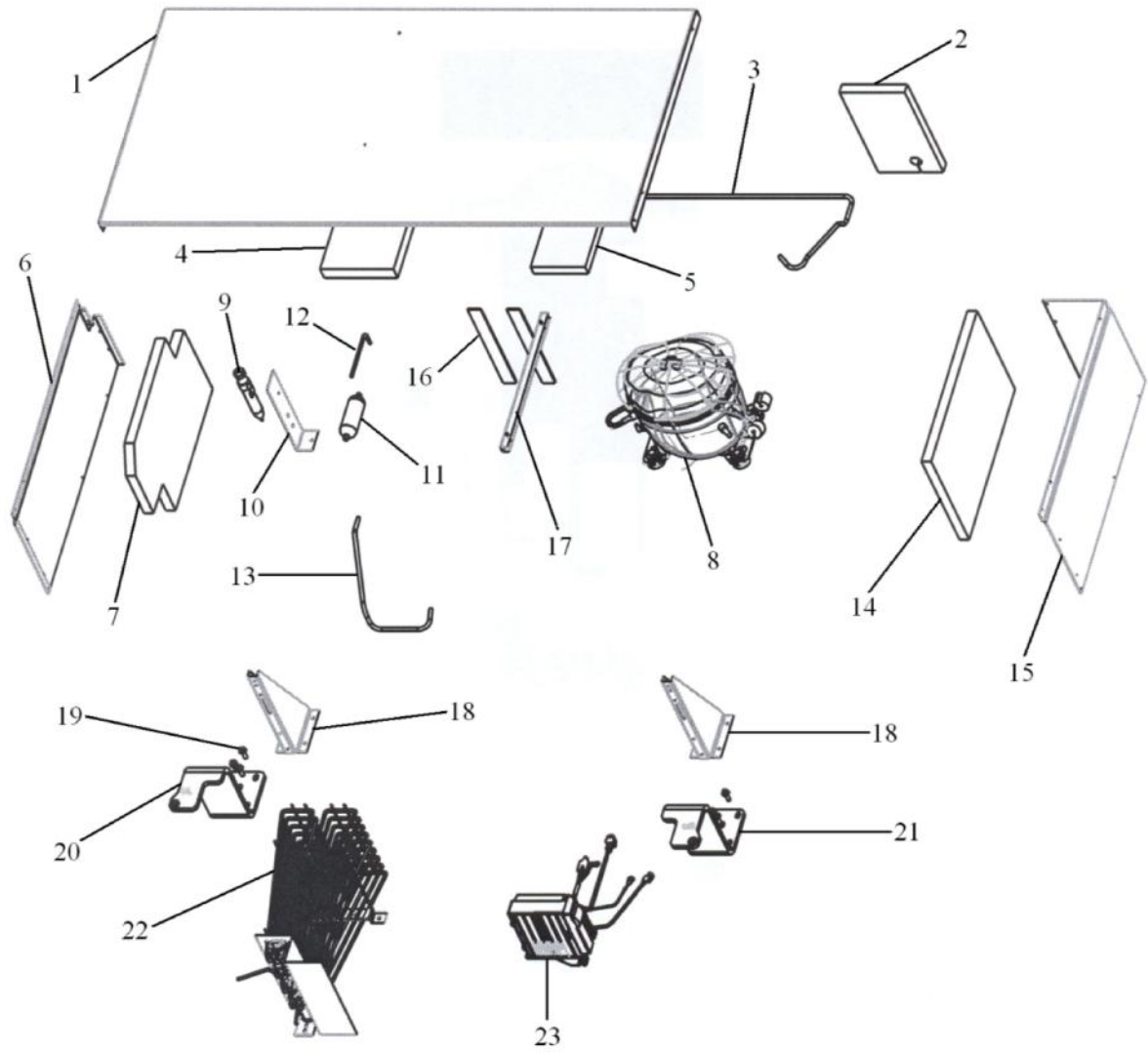
| Ref # | Part Number | Qty. | Description |
|-------|-------------|------|---|
| 1 | PE950146 | | SWITCH SPDT BLACK |
| 2 | PE950147 | | SWITCH SPST NC BLACK |
| 3 | G5097788 | | GRILLE TOE ASM COMPLETE 42 |
| 4 | C2098045 | | LIGHT SWITCH BRACKET - REF. DOOR |
| 5 | C2098046 | | BASE GRILLE - SWITCH MNT RH |
| 6 | K2099464 | | BRACKET FAN & VALVE |
| 7 | 12075003 | | MOTOR-REF FAN |
| 8 | PA070014 | | VALVE WATER DOUBLE COMP. INLET (AFTER 5/25/05) |
| | G50911843 | | WATER VALVE/BRACKET SVC KIT (BEFORE 5/25/05) |
| 9 | PB920202 | | TUBE WATER VALVE |
| 10 | G3298649 | | HINGE ASM COMPLETE LL |
| 11 | G3298648 | | HINGE ASM COMPLETE LR |
| 12 | PC920149 | | BAR-WC BOT HINGE LH |
| 13 | PC920166 | | BAR-WC BOT HINGE RH |
| 14 | PC910015 | | SPRING EXTENSION |
| 15 | PM910398 | | LEVELER ASSEMBLY - R |
| 16 | PM910399 | | LEVELER MODULE L |
| 17 | B5705313 | | TUBE-PLASTIC NO. |
| 18 | F2099467 | | SXS SERPENTINE |
| 19 | 12071301 | | PAN-DRAIN (NON-ANTIMICROBIAL) (BEFORE 02/07/05) |
| | PK930348 | | PAN DRAIN (AFTER 02/07/05) |
| 20 | PB920223 | | SUB TO PB020300 - TANK COILED WATER 42 SXS DISP |
| 21 | PM910465 | | FILTER CARTRIDGE MUST HAVE INSTALLED G50911814 BEFORE PM910465 FILTER CAN BE USED ON UNITS MADE BEFORE... |
| 22 | PM910248 | | MANIFOLD --- FILTER |
| NI | PK910123 | | SIDE TRIM - PRO |
| | C9398011BR | | PRO SIDE TRIM BRASS |



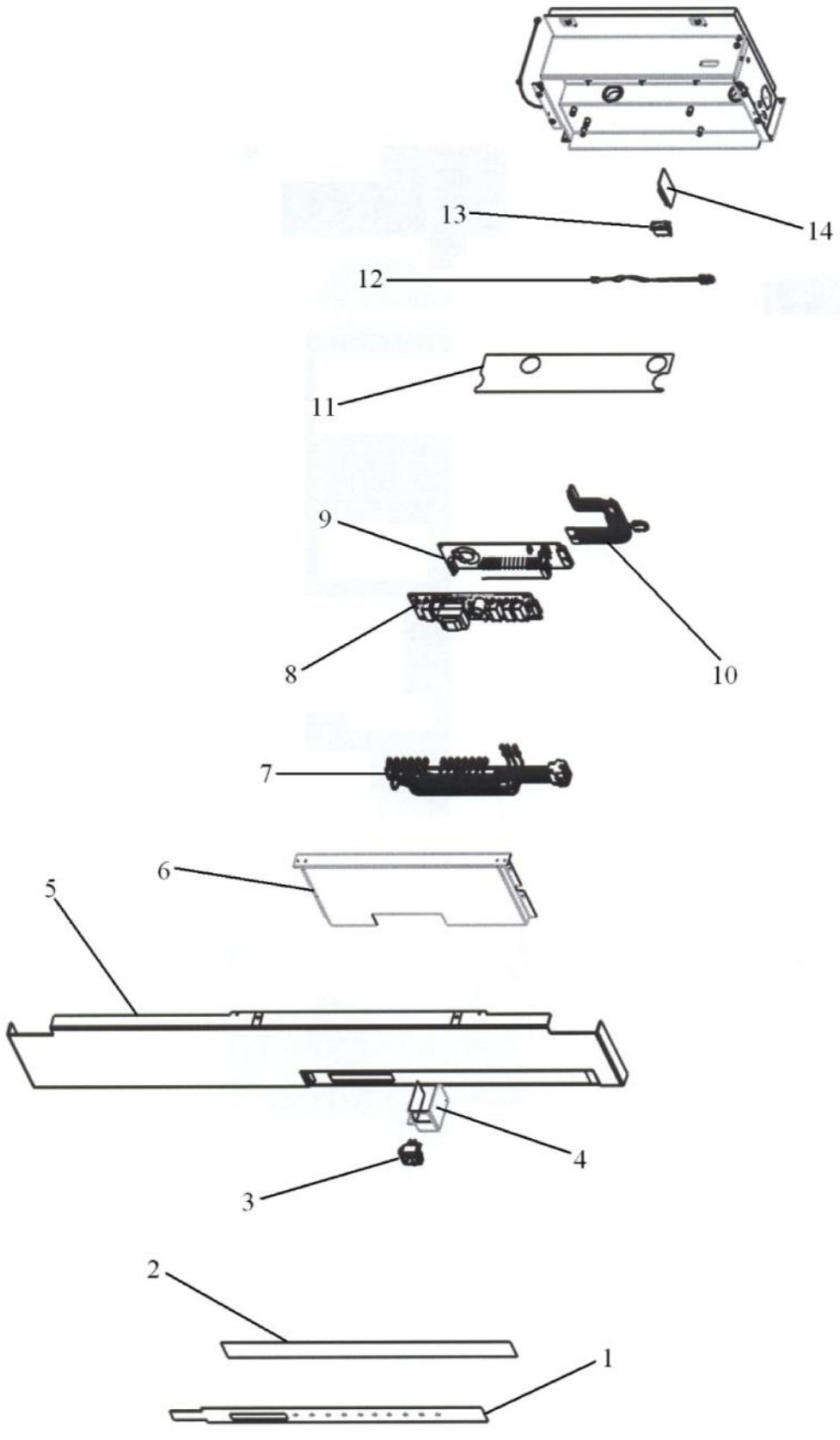
| Ref # | Part Number | Qty. | Description |
|-------|-------------|------|---------------------------|
| 1 | A3079001 | | LAMP - 40W |
| 2 | PK930116 | | COVER LIGHT ASM SXS 42 FZ |
| 3 | PK930115 | | COVER LIGHT ASM SXS 42 FF |
| 4 | PM910228 | | LADDER LS REF |
| 5 | PM910227 | | LADDER RS REF |
| 6 | PK930086 | | COVER FAN SXS 48 FZ |
| 7 | 12075003 | | MOTOR-REF FAN |
| 8 | K2096475 | | PLATE-FAN MNT 12404701 |
| 9 | C8983701 | | THERMISTOR |
| 10 | PE950125 | | LIGHT SOCKET |
| 11 | 10281601 | | SOCKET-SGL LIGHT |
| 12 | PK930085 | | COVER FAN SXS 48 FF |
| 13 | 10270101 | | COVER, LIGHT |
| 14 | 10270203 | | HOUSING-LIGHT V10270203 |
| 15 | L2099475 | | BRACKET LIGHT SXS FZ |
| 16 | L2099474 | | BRACKET LIGHT SXS 42 FF |
| 17 | M0238535 | | SCREW-SM |



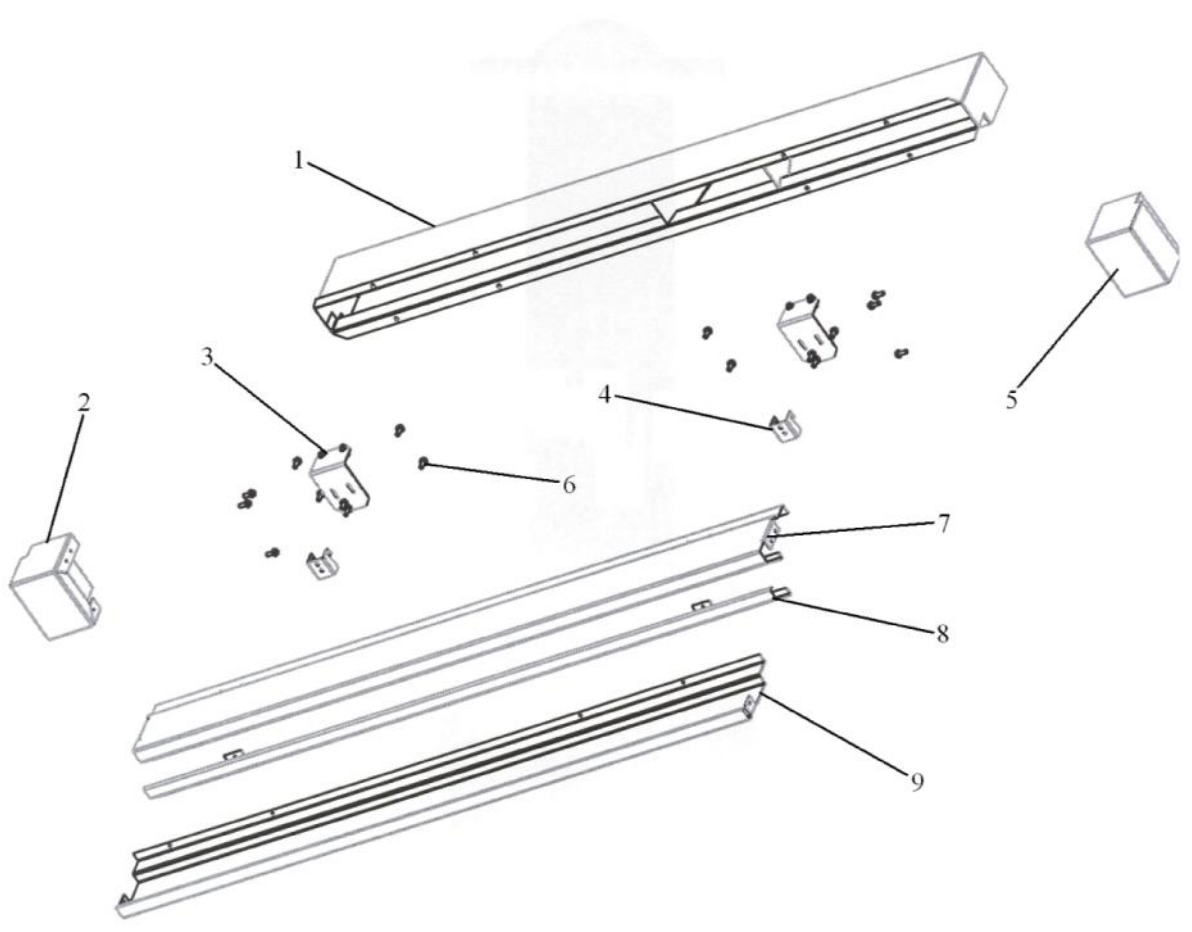
| Ref # | Part Number | Qty. | Description |
|-------|-------------|------|-------------------------------|
| 1 | L20910054 | | COVER LOWER EVAP |
| 2 | L20910057 | | COVER CENTER EVAP |
| 3 | C8983701 | | THERMISTOR |
| 4 | C20910713 | | BRACKET, AUGER MOTOR |
| 5 | L20910075 | | COVER EVAP FAN |
| 6 | L20910074 | | TRAN EVAP FAN |
| 7 | G5099446 | | EVAP ASM SXS 42 |
| 8 | L20910056 | | COVER EVAP MOTOR |
| 9 | K2096457 | | BRKT-R-EVAP FAN 12223101 |
| 10 | K2096458 | | BRKT-L-EVAP-FAN 12223102 |
| 11 | G5098660 | | FAN EVAP ASM |
| 12 | L2098027 | | DUCT - EVAP FAN |
| 13 | PE950158 | | MOTOR AUGER |
| 14 | C20910058 | | COVER UPPER EVAP |
| NI | PB910259 | 1 | THERMOSTAT DEFROST TERMINATOR |
| NI | PJ910031 | 1 | HEATER EVAP SXS |



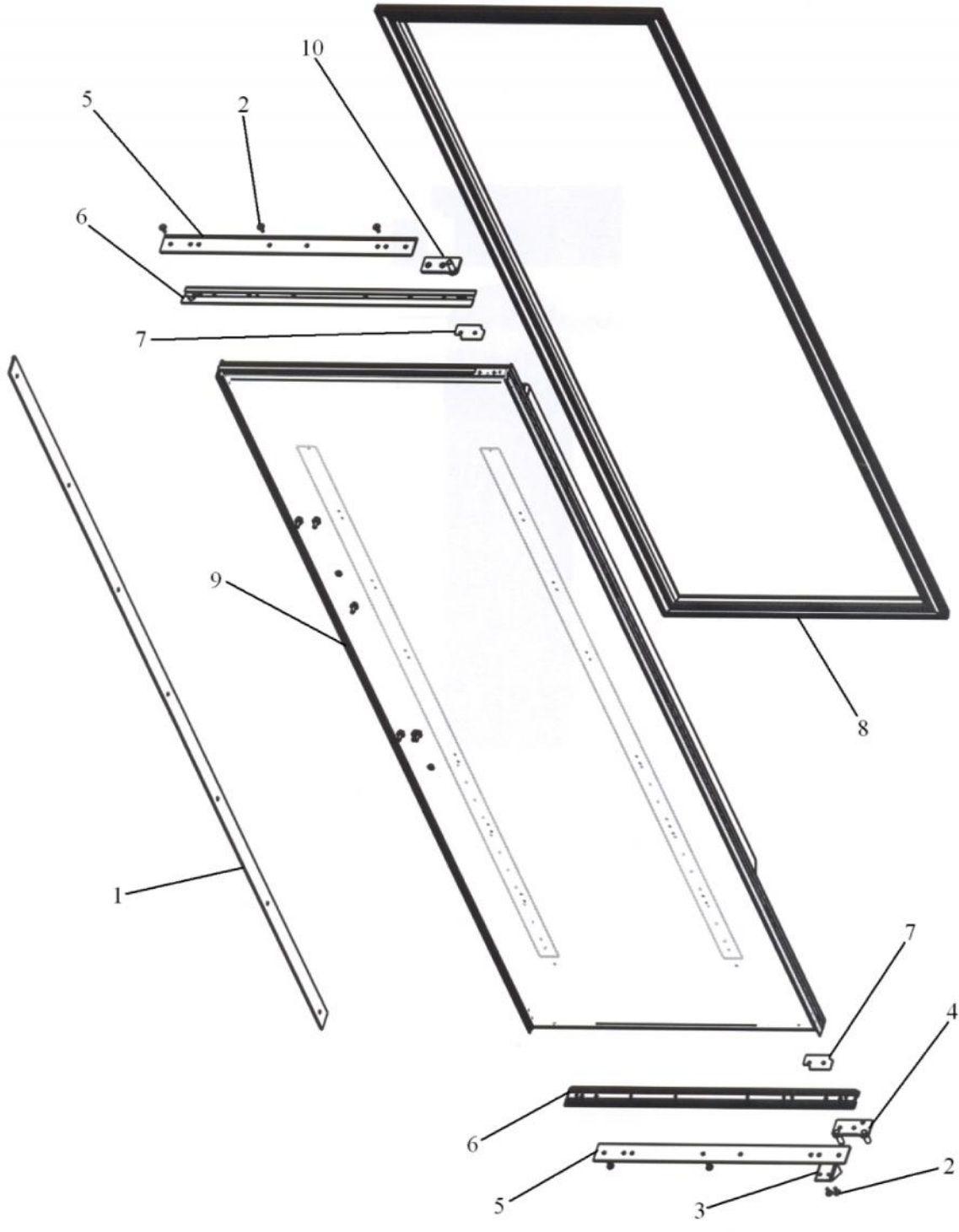
| Ref # | Part Number | Qty. | Description |
|-------|-------------|------|--|
| 1 | K2099458 | | MC TOP SXS 42 |
| 2 | PB970171 | | MC INSULATION - BACK SIDE |
| 3 | F2099443 | | TUBE DISCHARGE FORMED PRE ACCUM |
| 4 | 12074704 | | INSUL-MC CVR |
| 5 | 12074701 | | INSUL-MC CVR V12074701 |
| 6 | K2099460 | | MC SIDE L |
| 7 | 12074601 | | INSUL-L MC CVR V12074601 |
| 8 | G5097976 | | COMPRESSOR ASSEMBLY (363 AND 483) (363 AND 483) |
| 9 | 10743201 | | DRIER, HI SIDE |
| 10 | K2099454 | | BRACKET DRIER |
| 11 | PB920201 | | ACCUMULATOR |
| 12 | F2096504 | | TUBE-DRIER EXT |
| 13 | F2099444 | | TUBE DISCHARGE FORMED POST ACCUM |
| 14 | 12074702 | | INSUL-R MC CVR V12074702 |
| 15 | K2099459 | | MC SIDE R |
| 16 | A3189370 | | GASKET-FOAM VA3189370 |
| 17 | K2099455 | | SUPPORT MC Z |
| 18 | B2096962 | | BRACKET-LOUVER SUP |
| 19 | PD940088 | | SCREW, 1/4 X 20 HEX WASHER SERRATED |
| 20 | PC920204 | | HINGE ASM UL (RIGHT HINGE) |
| 21 | PC920203 | | HINGE ASM UR |
| 22 | PB920171 | | CONDENSER ASM |
| 23 | G5098300 | | INVERTER ASSEMBLY |
| NI | F2097793 | 1 | TUBE FORMED HT EXCH |



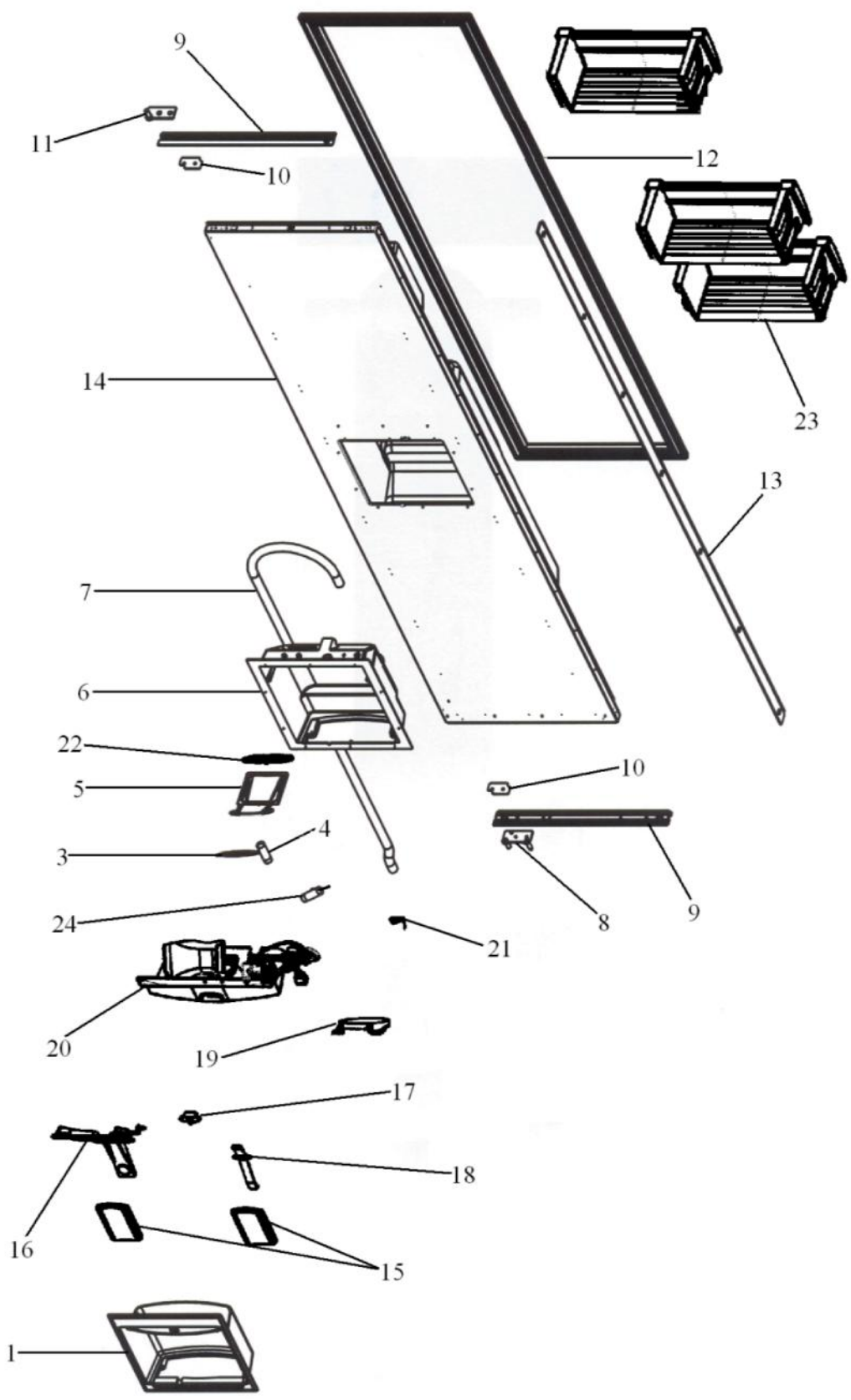
| Ref # | Part Number | Qty. | Description |
|-------|-------------|------|---|
| 1 | PE950135 | | SWITCH, KEYBOARD |
| 2 | PE980003 | | OVERLAY KEYBOARD SXS 42 |
| 3 | PE950149 | | SWITCH POWER |
| 4 | K2098654 | | BRACKET SWITCH POWER |
| 5 | PK930230 | | CONTROL PANEL SXS 42 |
| 6 | K20910061 | | CONTROL BOX FRONT |
| 7 | PE970465 | | HARNESS HIGH VOLT |
| 8 | PE970463 | | POWER CONTROL BOARD |
| 9 | G50911825 | | LOW VOLT BOARD KIT (G SERIES) (G SERIES) |
| | G50911823 | | LOW VOLT BOARD KIT (BEFORE 1/22/05) (BEFORE 1/22/05) |
| | PE970603 | | LOW VOLTAGE BOARD |
| 10 | PE970464 | | HARNESS LOW VOLT |
| 11 | PM910325 | | FILM PROTECTIVE |
| 12 | ORDER 9 | | HARNESS, ADAPTER BOARD |
| 13 | PE950150 | | SPDT ROCKER SW. W/LEGEND |
| 14 | ORDER 9 | | HARNESS, ADAPTER BOARD |
| NI | PE970609 | | HARNESS CONTROL BOARD |



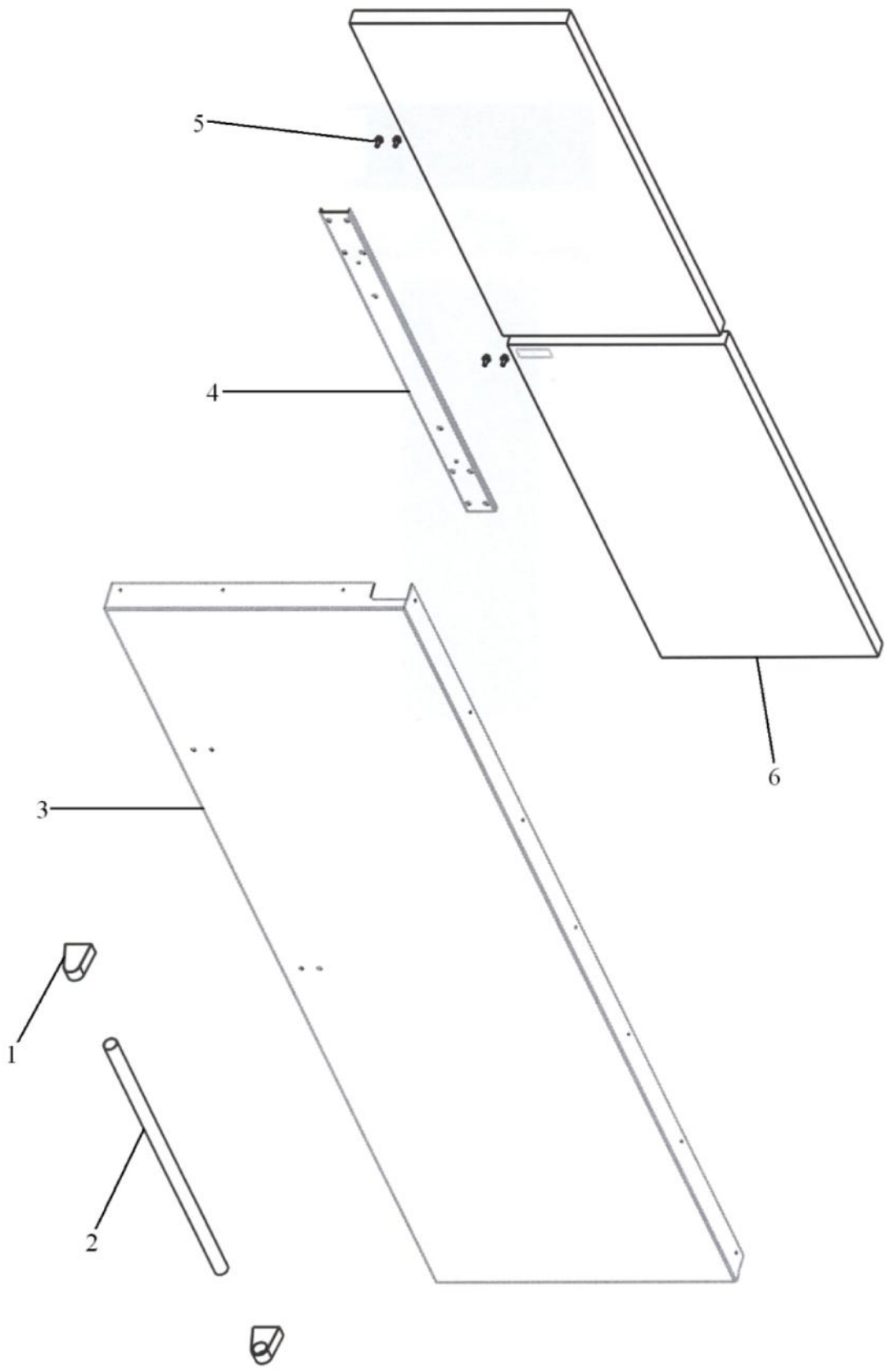
| Ref # | Part Number | Qty. | Description |
|-------|-------------|------|--------------------------|
| 1 | G3097768 | | AIR DUCT WELD ASM 42 |
| 2 | B20911801 | | GRILL ENDCAP PRO L |
| 3 | B2096962 | | BRACKET-LOUVER SUP |
| 4 | B2096961 | | BRACKET-LOUVER |
| 5 | B20911802 | | GRILL ENDCAP PRO R |
| 6 | M0220417 | | SCREW-TC |
| 7 | B2097765 | | GRILLE LOUVER TOP 42 PRO |
| 8 | B2097766 | | GRILLE LOUVER MID 42 PRO |
| 9 | B2098698 | | GRILLE LOUVER BOT 42 PRO |



| Ref # | Part Number | Qty. | Description |
|-------|-------------|------|---|
| 1 | PE940176 | | TRIM - DOOR SXS PRO SIDES |
| 2 | M0210458 | | SCREW-SM |
| 3 | PD950007 | | STRIKER SWITCH |
| 4 | PC920146 | | PIVOT PLATE ASSY - WC RH BOT (RIGHT HINGE) |
| 5 | PK930240 | | TRIM DOOR BULLNOSE SXS 42 FF TOP/BOT |
| 6 | PM910310 | | FRAME - TOP / BOTTOM |
| 7 | PD940092 | | SPACER - DOOR HINGE |
| 8 | PB070293 | | DOOR GASKET, 42 SXS FF SIDE CHARGE |
| 9 | G5098625 | | DOOR ASM SXS 42 FF (INC. GASKET) |
| 10 | PC920133 | | PIVOT PLATE ASSY - RH (RIGHT HINGE) |
| NI | G5098675 | | DOORBIN ASM SXS 42 FF |

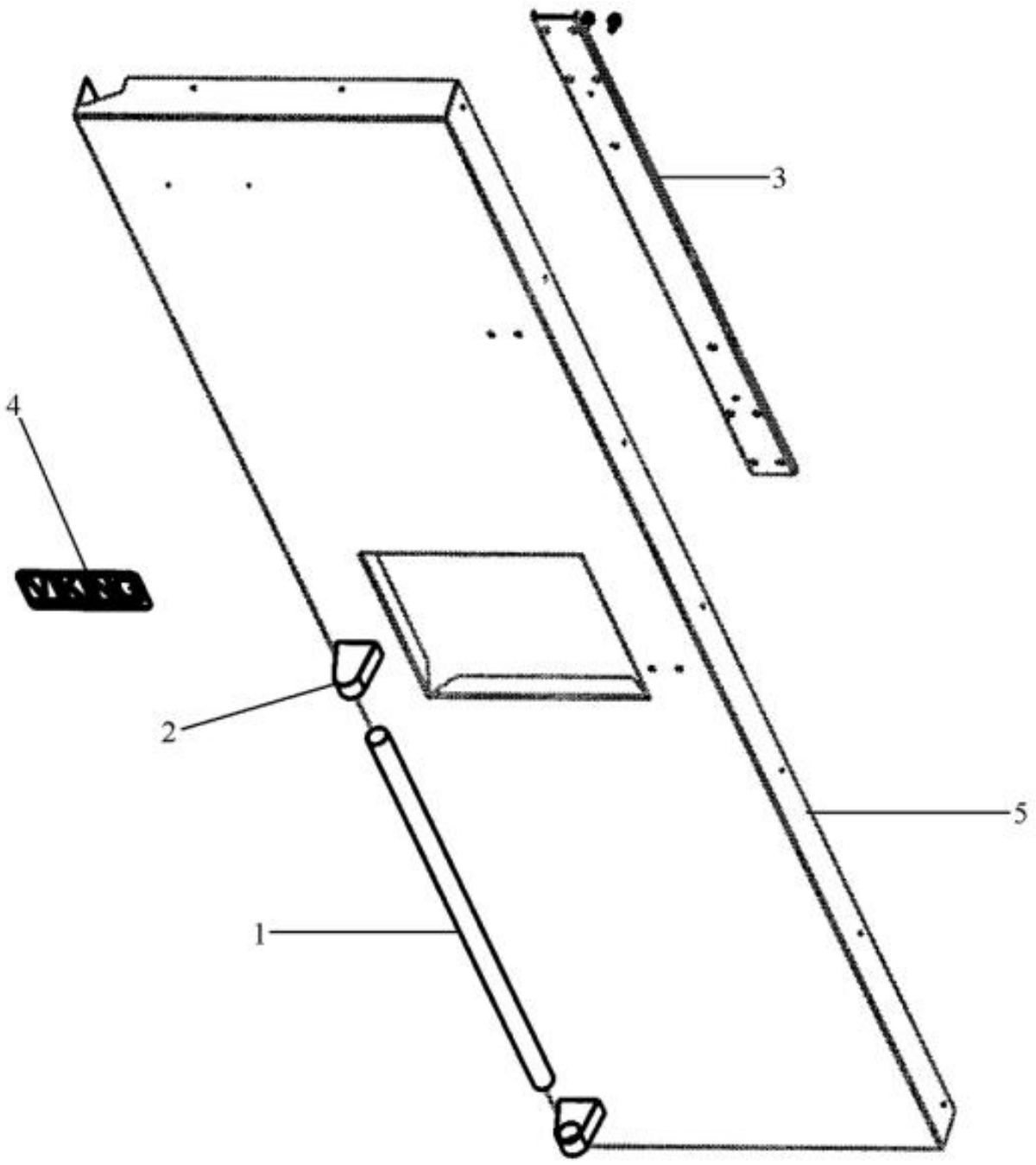


| Ref # | Part Number | Qty. | Description |
|-------|-------------|------|---|
| 1 | PB910271 | | BEZEL, ICE / WATER DISPENSER |
| 2 | PB980033 | | SPILL TRAY |
| 3 | 12302201 | | ICE DEFLECTOR |
| 4 | PK930274 | | TUBE CONNECTOR |
| 5 | 12348201 | | CHUTE-ICE NO. |
| 6 | PK930403 | | CAVITY DISPENSER |
| 7 | PK930292 | | CHASE CABLE/WATERLINE 42 SXS DISP |
| 8 | PC920147 | | PIVOT PLATE ASSY - WC LH BOT |
| 9 | PM910311 | | FRAME - TOP / BOTTOM |
| 10 | PD940092 | | SPACER - DOOR HINGE |
| 11 | PC920132 | | PIVOT PLATE ASSY - LH |
| 12 | PB070292 | | DOOR GASKET, 42 SXS FZ DISP SIDE CHARGE |
| 13 | PE940176 | | TRIM - DOOR SXS PRO SIDES |
| 14 | G50910709 | | DOOR FOAM ASM SXS 42 FZ DISP |
| 15 | 12221005 | | PAD ACTUATOR |
| 16 | PK930259 | | ARM, ICE ACTUATOR |
| 17 | PE950152 | | SWITCH SLIDE |
| 18 | 12220301 | | ARM-WATER DISP NO. |
| 19 | 12220502 | | DISPENSER DOOR |
| 20 | PM910478 | | CAVITY COVER ASSEMBLY - BK (BEFORE 4/15/05) |
| | PM910481 | | (BEFORE 4/15/05) - INCLUDES SWITCHES |
| | PM910516 | | CAVITY COVER ASM FOR WHITE BEZEL |
| | PM910517 | | (BEFORE 4/15/05) - INCLUDES SWITCHES |
| | | | CAVITY COVER ASSEMBLY |
| | | | INCLUDES SWITCHES |
| | | | COVER CAVITY ASM WHITE BEZEL |
| | | | (AFTER 4/15/05) - INCLUDES SWITCHES |
| 21 | 12194803 | | SPRING, DISPENSER DOOR |
| 22 | 12193801 | | GASKET - ICE DR |
| 23 | G5098676 | | DOORBIN ASM SXS 42 & 48 FZ |
| 24 | C8973603 | | DELAY-DOOR NO. |
| NI | 040085-000 | | HARNESS, MAIN |
| NI | PE970592 | | HARNESS MAIN |
| NI | G50911859 | | DISPENSER WATER LINE SLEEVE SERVICE KIT |
| NI | PB910274 | | INSERT FACADE |
| | | | (BEFORE 4/15/05) |
| | PB910281 | | INSERT FACADE SXS DISPENSER |
| NI | 040066-000 | | HARNESS JUMPER LOWER |
| NI | 040078-000 | | HARNESS, JUMPER DISP CAVITY |



| Ref # | Part Number | Qty. | Description |
|-------|-------------|------|---|
| 1 | PE030001 | | BRACKET, DOOR, HANDLE |
| | PE030001PVD | | END CAP DOOR HANDLE XBR |
| 2 | PE930101 | | VCSB482 HANDLE -(12466403) |
| | PE030044PVD | | CNPY HDLE 41/53 PVD F0005408 |
| 3 | B2099427 | | SKIN SXS 42 FF PRO (OLD HANDLE LOCATION) |
| | L2099427WH | | DOOR SKIN SXS 42 FF PRO WH (OLD HANDLE LOCATION) |
| | C9099427AL | | DOOR SKIN SXS 42 FF PRO AL (OLD HANDLE LOCATION) |
| | C9099427BK | | DOOR SKIN SXS 42 FF PRO BK (OLD HANDLE LOCATION) |
| | C9099427BT | | DOOR SKIN SXS 42 FF PRO BT (OLD HANDLE LOCATION) |
| | C9099427BU | | DOOR SKIN SXS 42 FF PRO BU (OLD HANDLE LOCATION) |
| | C9099427CB | | DOOR SKIN SXS 42 FF PRO CB (OLD HANDLE LOCATION) |
| | C9099427EP | | DOOR SKIN SXS 42 FF PRO EP (OLD HANDLE LOCATION) |
| | C9099427FG | | DOOR SKIN SXS 42 FF PRO FG (OLD HANDLE LOCATION) |
| | C9099427GG | | DOOR SKIN SXS 42 FF PRO GG (OLD HANDLE LOCATION) |
| | C9099427LE | | DOOR SKIN SXS 42 FF PRO LE (OLD HANDLE LOCATION) |
| | C9099427MJ | | DOOR SKIN SXS 42 FF PRO MJ (OLD HANDLE LOCATION) |
| | C9099427SG | | DOOR SKIN SXS 42 FF PRO SG (OLD HANDLE LOCATION) |
| | C9099427VB | | DOOR SKIN SXS 42 FF PRO VB (OLD HANDLE LOCATION) |
| | B2099993 | | DOOR SKIN SXS 42 PRO FF (NEW HANDLE LOCATION) |
| | L2099993WH | | DOOR SKIN SXS 42 PRO FF (NEW HANDLE LOCATION) |
| | C9099993AL | | DOOR SKIN SXS 42 PRO FF (NEW HANDLE LOCATION) |
| | C9099993BK | | DOOR SKIN SXS 42 PRO FF (NEW HANDLE LOCATION) |
| | C9099993BT | | DOOR SKIN SXS 42 PRO FF (NEW HANDLE LOCATION) |
| | C9099993BU | | DOOR SKIN SXS 42 PRO FF (NEW HANDLE LOCATION) |
| | C9099993CB | | DOOR SKIN SXS 42 PRO FF (NEW HANDLE LOCATION) |
| | C9099993EP | | DOOR SKIN SXS 42 PRO FF (NEW HANDLE LOCATION) |
| | C9099993FG | | DOOR SKIN SXS 42 PRO FF (NEW HANDLE LOCATION) |
| | C9099993GG | | DOOR SKIN SXS 42 PRO FF (NEW HANDLE LOCATION) |
| | C9099993LE | | DOOR SKIN SXS 42 PRO FF (NEW HANDLE LOCATION) |
| | C9099993MJ | | DOOR SKIN SXS 42 PRO FF (NEW HANDLE LOCATION) |
| | C9099993SG | | DOOR SKIN SXS 42 PRO FF (NEW HANDLE LOCATION) |
| | C9099993VB | | DOOR SKIN SXS 42 PRO FF (NEW HANDLE LOCATION) |

| Ref # | Part Number | Qty. | Description |
|-------|-------------|------|-------------------------------|
| 4 | K2097526 | | (NEW HANDLE LOCATION) |
| 5 | M0204303 | | BRACKET - HANDLE SUPPORT |
| 6 | PM910333 | | SCREW-MACH |
| | | | BLOCK EPS DOOR SKIN SXS 42 FF |



| Ref # | Part Number | Qty. | Description |
|-------|-------------|------|--|
| 1 | PE930101 | | VCSB482 HANDLE -(12466403) |
| | PE030044PVD | | CNPY HDLE 41/53 PVD F0005408 |
| 2 | PE030001 | | BRACKET, DOOR, HANDLE |
| | PE030001PVD | | END CAP DOOR HANDLE XBR |
| 3 | K2097526 | | BRACKET - HANDLE SUPPORT |
| 4 | PE010030 | | LOGO, 6, PRO, BK |
| | PE010068 | | LOGO, 6, PRO, BK/BR |
| | PE010031 | | LOGO 6 (VGRC) XBK/WHX |
| | PE010076 | | LOGO 6 (VGRC) XBR/WHX |
| 5 | B20911393 | | SKIN DOOR SXS 42 FZ PRO FZ W/ DISPENSER (NEW HANDLE LOCATION) |
| | L20911393WH | | SKIN DOOR SXS 42 FZ PRO WH (NEW HANDLE LOCATION) |
| | C90911393AL | | SKIN DOOR SXS 42 FZ PRO AL (NEW HANDLE LOCATION) |
| | C90911393BK | | SKIN DOOR SXS 42 FZ PRO BK (NEW HANDLE LOCATION) |
| | C90911393BT | | SKIN DOOR SXS 42 FZ PRO BT (NEW HANDLE LOCATION) |
| | C90911393BU | | SKIN DOOR SXS 42 FZ PRO BU (NEW HANDLE LOCATION) |
| | C90911393CB | | SKIN DOOR SXS 42 FZ PRO CB (NEW HANDLE LOCATION) |
| | C90911393EP | | SKIN DOOR SXS 42 FZ PRO EP (NEW HANDLE LOCATION) |
| | C90911393FG | | SKIN DOOR SXS 42 FZ PRO FG (NEW HANDLE LOCATION) |
| | C90911393GG | | SKIN DOOR SXS 42 FZ PRO GG (NEW HANDLE LOCATION) |
| | C90911393LE | | SKIN DOOR SXS 42 FZ PRO LE (NEW HANDLE LOCATION) |
| | C90911393MJ | | SKIN DOOR SXS 42 FZ PRO MJ (NEW HANDLE LOCATION) |
| | C90911393SG | | SKIN DOOR SXS 42 FZ PRO SG (NEW HANDLE LOCATION) |
| | C90911393VB | | SKIN DOOR SXS 42 FZ PRO VB (NEW HANDLE LOCATION) |
| | B2099009 | | SKIN DOOR SXS 42 FZ PRO (OLD HANDLE LOCATION) |
| | L2099009WH | | DOOR SKIN PROFESSIONAL FZ 42 SXS DISP (OLD HANDLE LOCATION) |
| | C9099009AL | | DOOR SKIN - AL (OLD HANDLE LOCATION) (OLD HANDLE LOCATION) |
| | C9099009BK | | DOOR SKIN PRO FZ 42 SXS DISP XBKX (OLD HANDLE LOCATION) |
| | C9099009BT | | DOOR SKIN - BT (OLD HANDLE LOCATION) (OLD HANDLE LOCATION) |
| | C9099009BU | | DOOR SKIN - BU (OLD HANDLE LOCATION) (OLD HANDLE LOCATION) |
| | C9099009CB | | DOOR SKIN - CB (OLD HANDLE LOCATION) (OLD HANDLE LOCATION) |
| | C9099009EP | | DOOR SKIN - EP (OLD HANDLE LOCATION) (OLD HANDLE LOCATION) |
| | C9099009FG | | DOOR SKIN - FG (OLD HANDLE LOCATION) (OLD HANDLE LOCATION) |
| | C9099009GG | | DOOR SKIN - GG (OLD HANDLE LOCATION) (OLD HANDLE LOCATION) |
| | C9099009LE | | DOOR SKIN - LE (OLD HANDLE LOCATION) (OLD HANDLE LOCATION) |
| | C9099009MJ | | DOOR SKIN - MJ (OLD HANDLE LOCATION) |

| Ref # | Part Number | Qty. | Description |
|-------|-------------|------|---|
| | C9099009MJ | | DOOR SKIN - MJ (OLD HANDLE LOCATION) (OLD HANDLE LOCATION) |
| | C9099009SG | | DOOR SKIN - SG (OLD HANDLE LOCATION) (OLD HANDLE LOCATION) |
| | C9099009VB | | DOOR SKIN - VB (OLD HANDLE LOCATION) (OLD HANDLE LOCATION) |