

This Owner's Manual is provided and hosted by [Appliance Factory Parts](#).



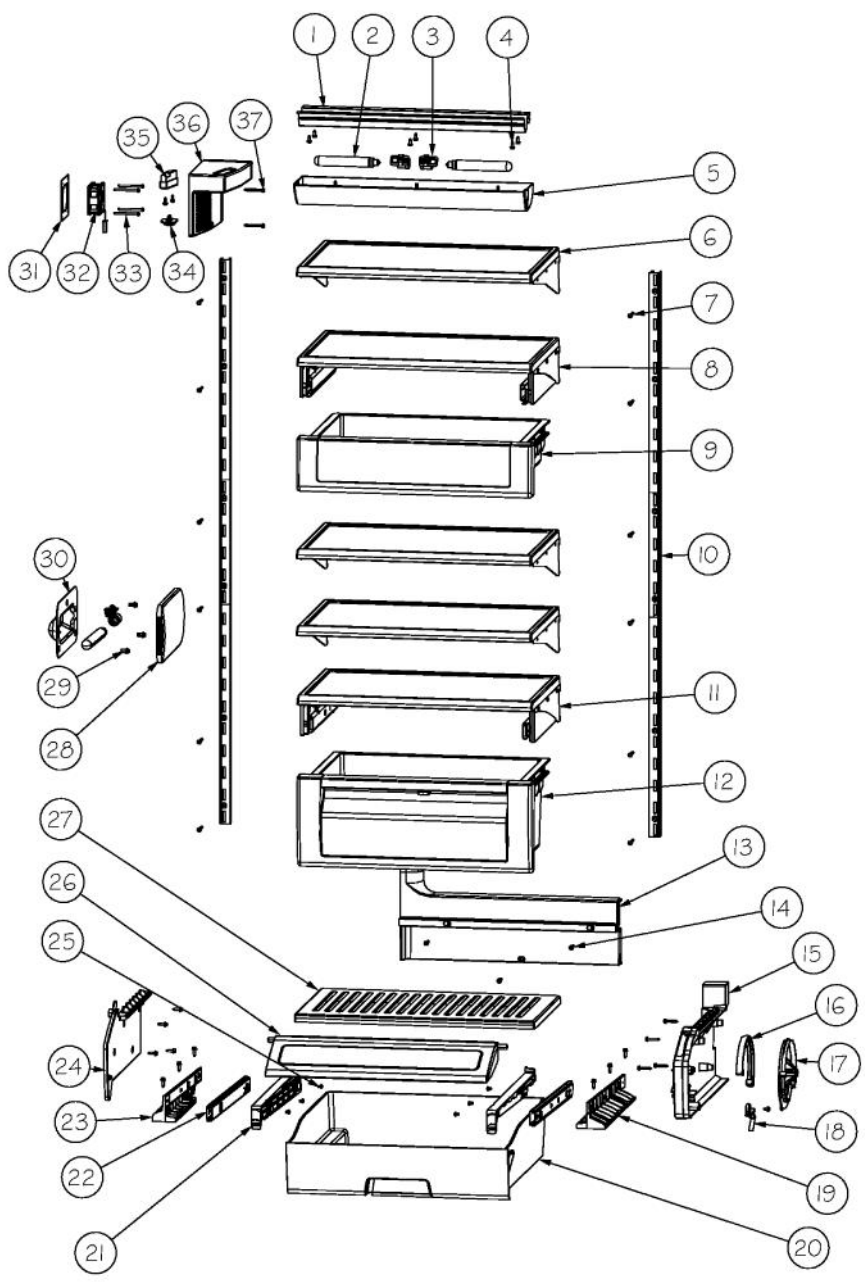
VIKING VCSB542D Owner's Manual

[Shop genuine replacement parts for VIKING VCSB542D](#)

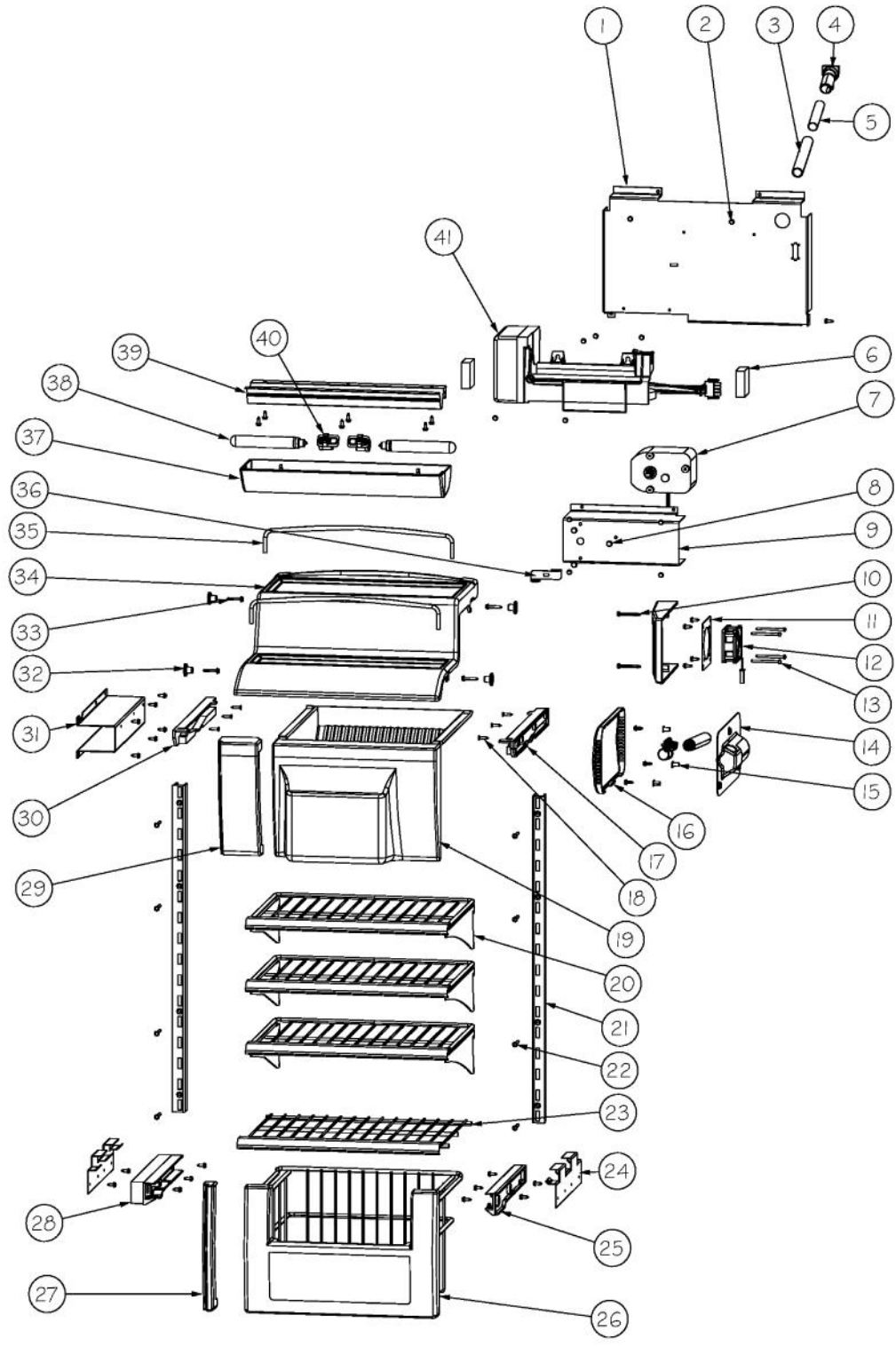


[Find Your VIKING Refrigerator Parts - Select From 341 Models](#)

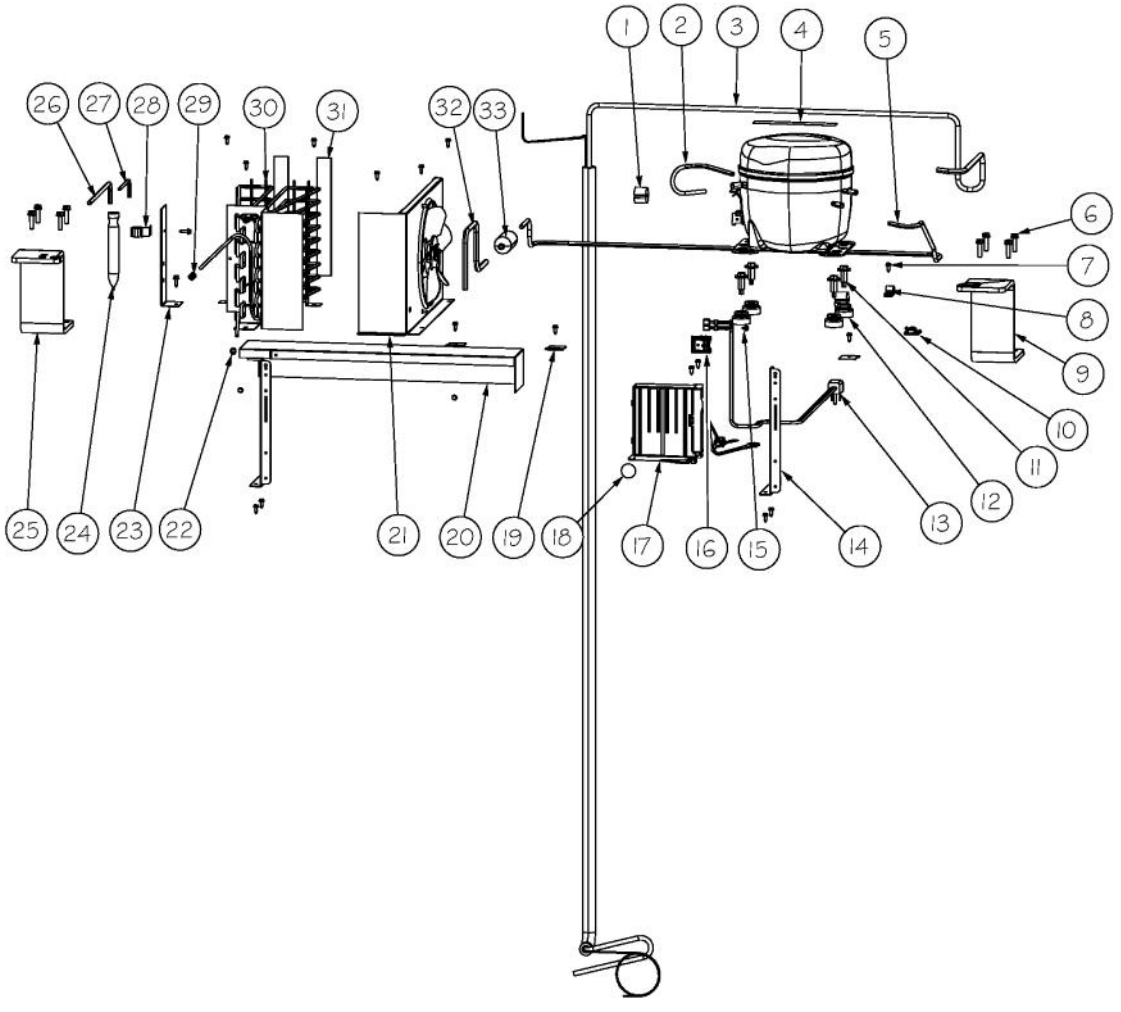
----- Manual continues below -----



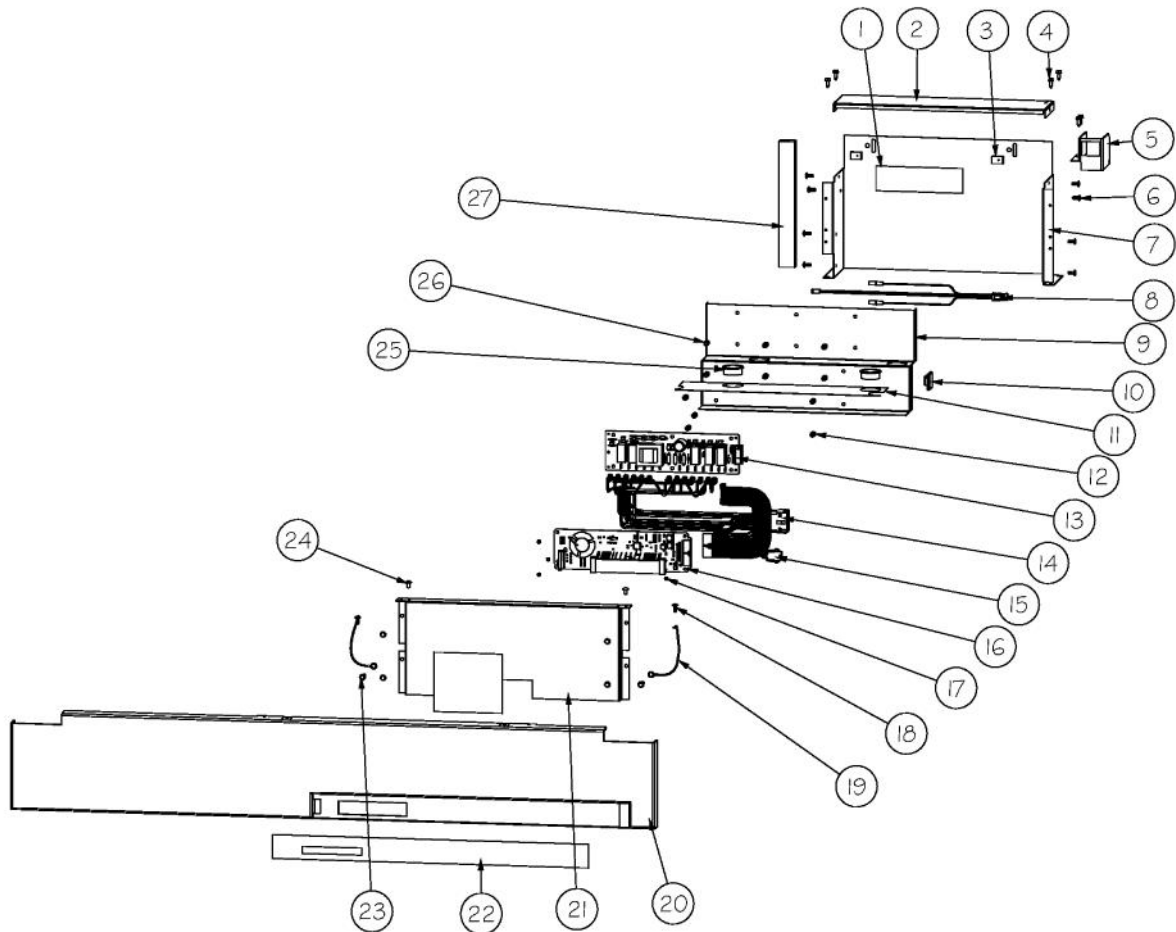
Ref #	Part Number	Qty.	Description
1	L2099474	1	BRACKET LIGHT SXS 42 FF
2	A3079001	3	LAMP - 40W
3	PE950125	3	LIGHT SOCKET
4	PD020195	24	SCR 8-18 X 5/8
5	PK930115	1	COVER LIGHT ASM SXS 42 FF
6	PM910350	3	SHELF ASM GLASS SXS 42 FF
7	M0238535	12	SCREW-SM
8	G5099426	1	SHELF & SLIDE ASM SXS 42
9	G32910068	1	DRAWER DELI & RAIL ASM SXS 42
10	PM910227	2	LADDER RS REF
11	G5099965	1	SHELF AND SLIDE ASM SXS 42
12	012809-000	1	PRODUCE DRAWER & RAIL ASM SXS 42
13	PK930171	1	DUCT MEAT SAVOR SXS 42 REAR
14	M0211021	3	SCREW-SM
15	PK930169	1	DUCT MEAT SAVOR SXS 42/48 R
16	PK930172	1	COVER CONTROL MEAT SAVOR
17	PK930168	1	DIAL CONTROL MEAT SAVOR
18	PM910334	1	ROLLER TENSION
19	PK930173	1	SUPPORT SLIDE MEAT SAVOR SXS 42/48 R
20	PK930114	1	DRAWER MEAT SAVOR SXS 42
21	PK930176	1	SUPPORT DRAWER MEAT SAVOR 42/48 L
22	PM910288	1	SLIDE MEAT SAVOR L
23	PK930174	1	SUPPORT SLIDE MEAT SAVOR SXS 42/48 L
24	PK930170	1	DUCT MEAT SAVOR SXS 42 L
25	PD920162	2	SCR 8-16 PLASTITE PNP 1/4 S
26	009913-000	1	MEAT SAVOR DOOR 42/42D
27	PK930120	1	SHELF MEAT SAVOR SXS 42
28	PK930346	1	COVER LIGHT
29	M0580007	3	GROMMET-SCREW
30	10270203	1	HOUSING-LIGHT V10270203
31	007302-000	1	BRACKET,FAN
32	004551-000	1	AXIAL FAN
33	M0221913	4	SCREW-SM
34	C8983701	1	THERMISTOR
35	010093-000	1	PLASMA CLUSTER
36	012312-000	1	FAN COVER SXS
37	PD020188	2	SCR 8-18 BT HXWS 1 1/2



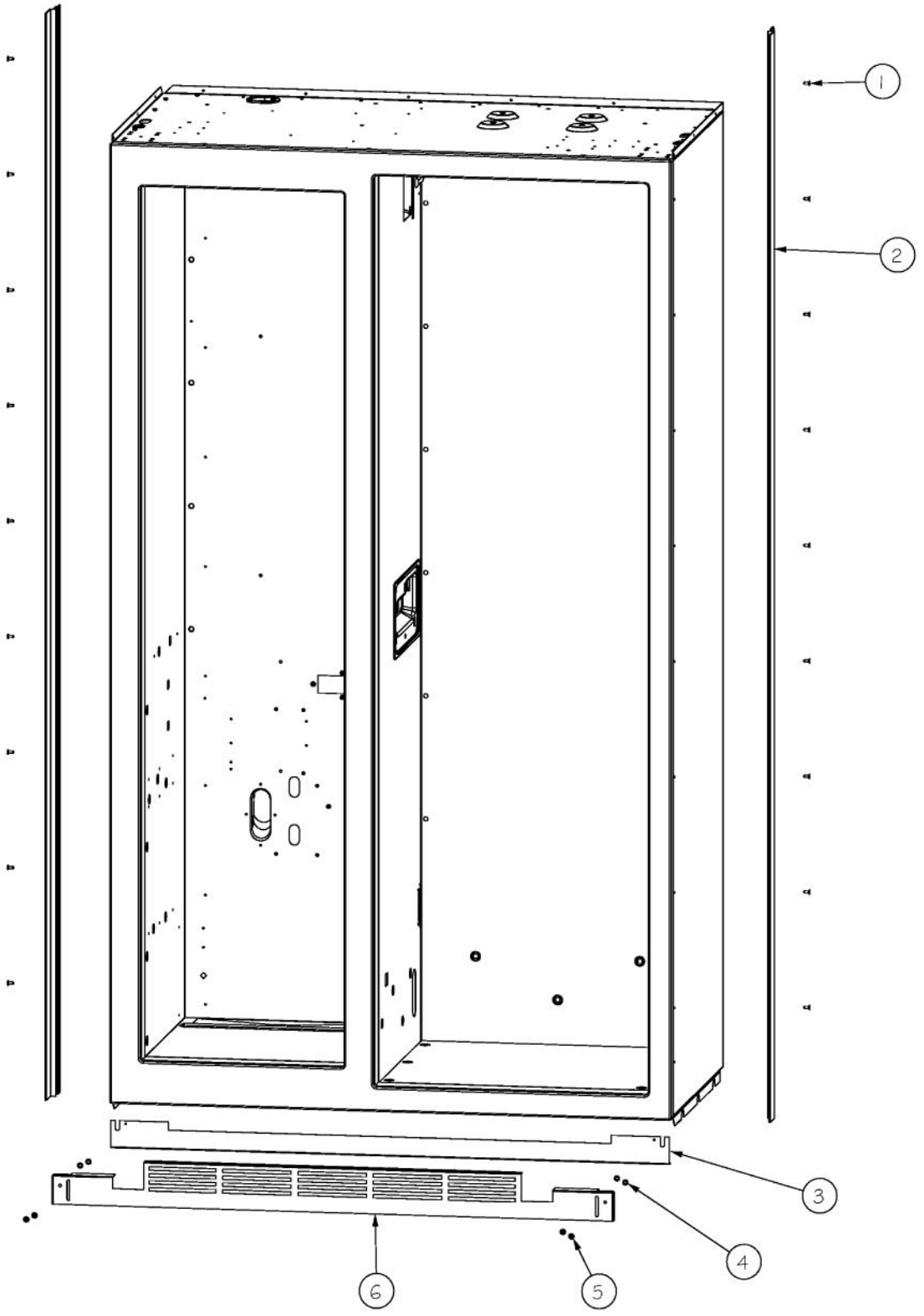
Ref #	Part Number	Qty.	Description
1	C90910058	1	UPPER EVAPORATOR COVER
2	PD020194	41	SCREW-SM
3	PB920220	1	EXT FILL TUBE
4	10276601	1	ELBOW-FILLER TUBE
5	PK030436	1	FILL TUBE
6	PB970176	2	GASKET UPPER EVAP COVER
7	PE950158	1	MOTOR AUGER
8	PD020191	1	SCR. NO.10 PLAS HXW 1/2 S
9	C90914113	1	BRACKET - AUGER MOTOR
10	PD020188	2	SCR 8-18 BT HXWS 1 1/2
11	007302-000	1	BRACKET,FAN
12	004551-000	1	AXIAL FAN
13	M0221913	4	SCREW-SM
14	10270203	1	HOUSING-LIGHT V10270203
15	M0580007	3	GROMMET-SCREW
16	PK930346	1	COVER LIGHT
17	PK930265	1	GLIDE R FZ
18	M0213503	6	SCREW-SM
19	PM910331	1	ICE BUCKET ASSY
20	PM910189	3	SHELF WIRE FZ
21	PM910375	2	LADDER R/L FZ
22	M0238535	6	SCREW-SM
23	PM910231	1	FZ FIXED BASKET ASSEMBLY
24	L20910067	2	FZ SHELF BRACKET
25	PK930074	1	GLIDE SXS 48 FZ R
26	PM910190	1	BASKET ASM FZ
27	PK930107	1	FZ BASKET SIDE SPACER FRONT
28	PK930075	1	GLIDE SXS 48 FZ L
29	PK930096	1	CLOSEOUT - ICE DISPENSER
30	PK930266	1	GLIDE L FZ
31	C20910027	1	SUPPORT, LS ICE BUCKET
32	12258501	4	SUPPORT-SHELF
33	M0211021	4	SCREW-SM
34	PK930264	1	SHELF COVER
35	PM910435	2	RETAINER WIRE
36	B20911863	1	DRIVER ? ICE BUCKET RNG
37	PK930116	1	COVER LIGHT ASM SXS 42 FZ
38	A3079001	3	LAMP - 40W
39	L2099475	1	BRACKET LIGHT SXS FZ
40	PE950125	3	LIGHT SOCKET
41	G50911855	1	ICE MAKER ASM, DISP



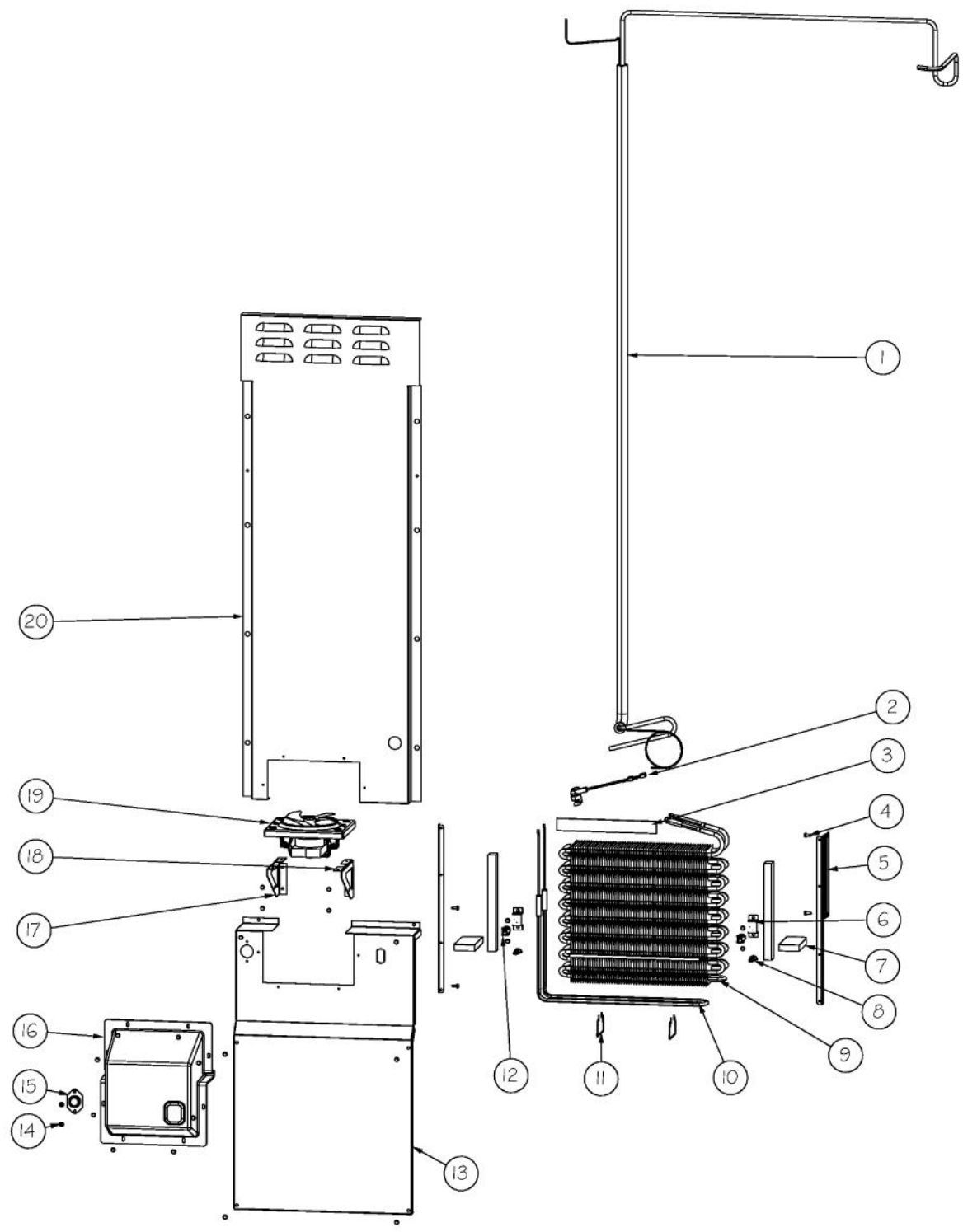
Ref #	Part Number	Qty.	Description
1	10699601	2	DAMPER-TUBING .8
2	F2096507	1	TUBE-PROCESS GRN
3	F2097793	1	TUBE FORMED HT EXCH
4	C8982701	1	LABEL-COMP WARN
5	F2099443	1	TUBE DISCHARGE FORMED PRE ACCUM
6	000570-000	8	HEX SCREW
7	PD020195	20	SCR 8-18 X 5/8
8	PD030118	1	SCREW - SHLDR
9	PC920203	1	HINGE ASM UR
10	M0104106	1	CLIP-CORD VM0104106
11	M0221523	4	SCREW - SHLDR
12	10835901	4	GROMMET RUBBER V10835901
13	10916507D	1	POWER CORD
14	K20912569	2	BRACKET GRILLE SUPPORT
15	M0211014	1	SCREW-SM
16	PE950149	1	SWITCH POWER
17	011666-000	1	INVERTER CMPRESSOR
18	PF930682	1	LABEL WARNING INVERTER
19	K2096943	3	PANEL BRACKET
20	K20912585	1	DIVERTER AIR HI SIDE SXS
21	G5096494	1	COND. FAN ASSY
22	007408-000	1	RING,LOK, .250 DIA
23	K2099454	1	BRACKET DRIER
24	PM910381	1	DRIER - HIGH SIDE
25	PC920193	1	HINGE ASSEM UPPER RH
26	F2097740	1	TUBE PROCESS
27	F2096504	1	TUBE-DRIER EXT
28	10547001	1	CLIP-DRIER V10547001
29	007407-000	1	RING,LOK, .187 DIA
30	PB920171	1	CONDENSER ASM
31	A3189370	2	GASKET-FOAM VA3189370
32	008093-000	1	TUBE EVACUTION
33	PB920201	1	ACCUMULATOR



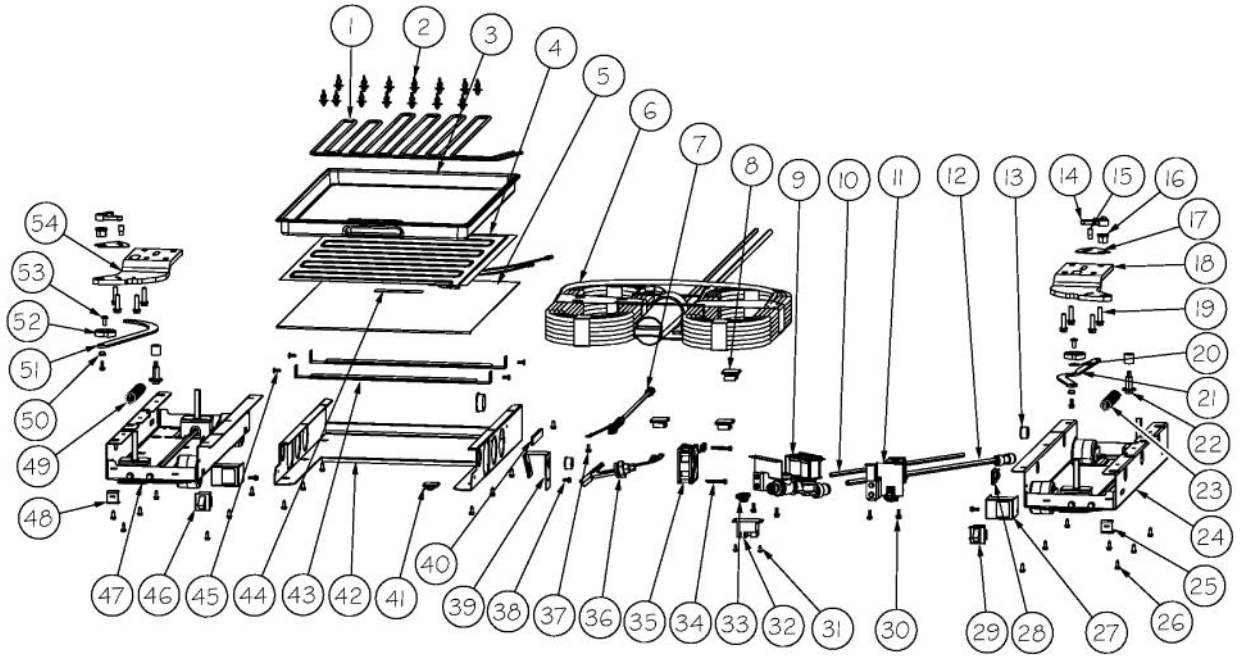
Ref #	Part Number	Qty.	Description
1	PF930672	2	LABEL DC COMPRESSOR
2	K20915000	1	CONTROL BOX TOP
3	M0288120	2	NUT-SPEED, VM0288120
4	PD020194	10	SCREW-SM
5	K2098654	1	BRACKET SWITCH POWER
6	PC040010	8	POP RIVET
7	K2099402	1	CONTROL BOX
8	PE970609	1	HARNESS CONTROL BOARD
9	K20910060	1	BRACKET - PC
10	M0104106	1	CLIP-CORD VM0104106
11	005396-000	1	FILM,PROTECTIVE
12	M0585506	5	SUPPORT
13	005319-000	1	POWER CONTROL BOARD ASM
14	015365-000	1	HARNESS HIGH VOLT
15	PE970464	1	HARNESS LOW VOLT
16	PE070728	1	BOARD LOW VOLTAGE
17	PD020013	5	TYPE AB NO.6 X 3/8 PH PAN HD. SMS
18	PC040010	1	POP RIVET
19	12064001	2	SUPP-CONT PANEL
20	PK930230	1	CONTROL PANEL SXS 42
21	K20910061	1	CONTROL BOX FRONT
22	010492-000	1	OVERLAY SWITCH SXS 42
23	M0238846	2	SCREW-SHLDR
24	M0224128	2	SCREW-SM
25	A4554817	2	BUSHING-SNAP VA4554817
26	M0585504	6	SUPPORT
27	A3030361	1	GASKET, RED



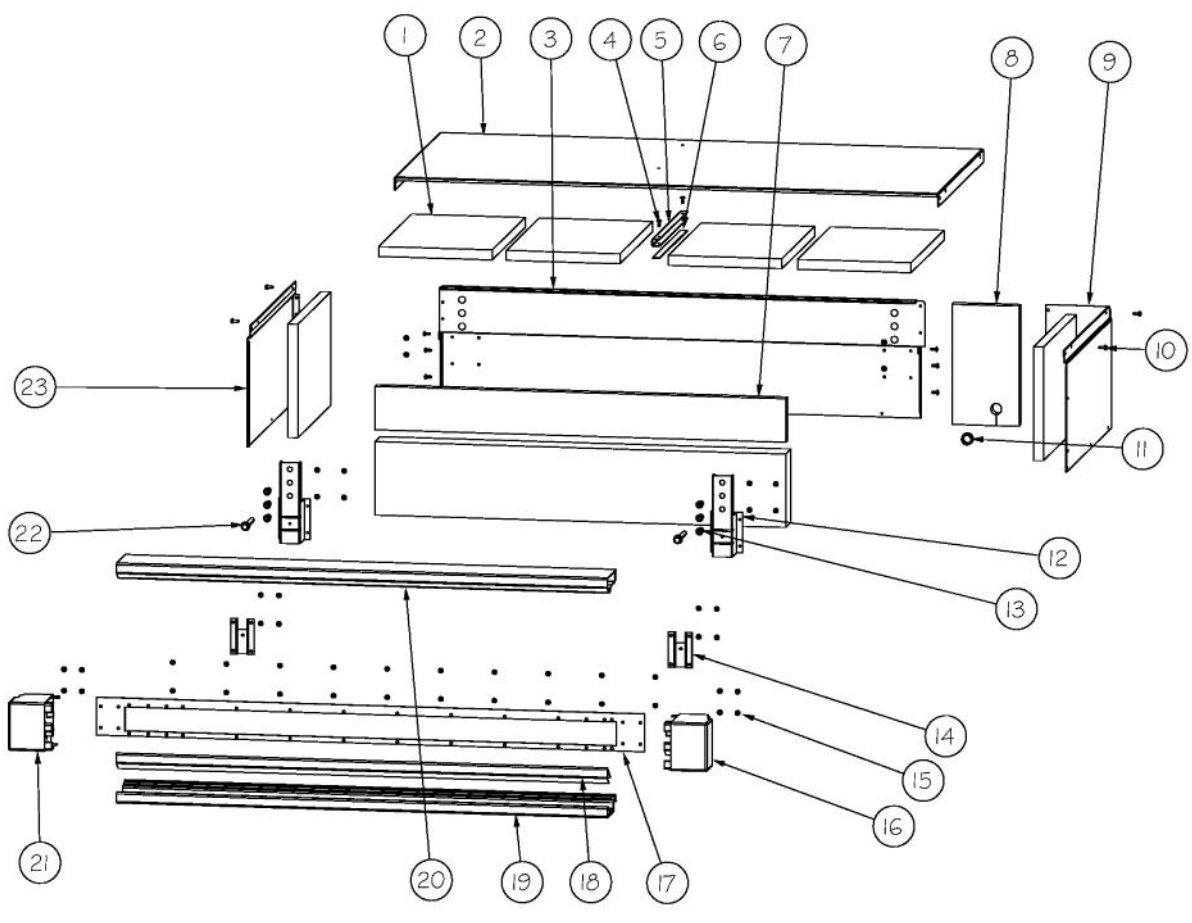
Ref #	Part Number	Qty.	Description
1	M0215318	18	SCREW-SM
2	PK910123	2	SIDE TRIM - PRO
3	000207-002	1	KICKPLATE, LWR
4	40370P01	4	NYLON FLAT WASHER V40370P01
5	M0210443	4	SCREW-E SM
6	C9097789	1	GRILLE TOE VENTED



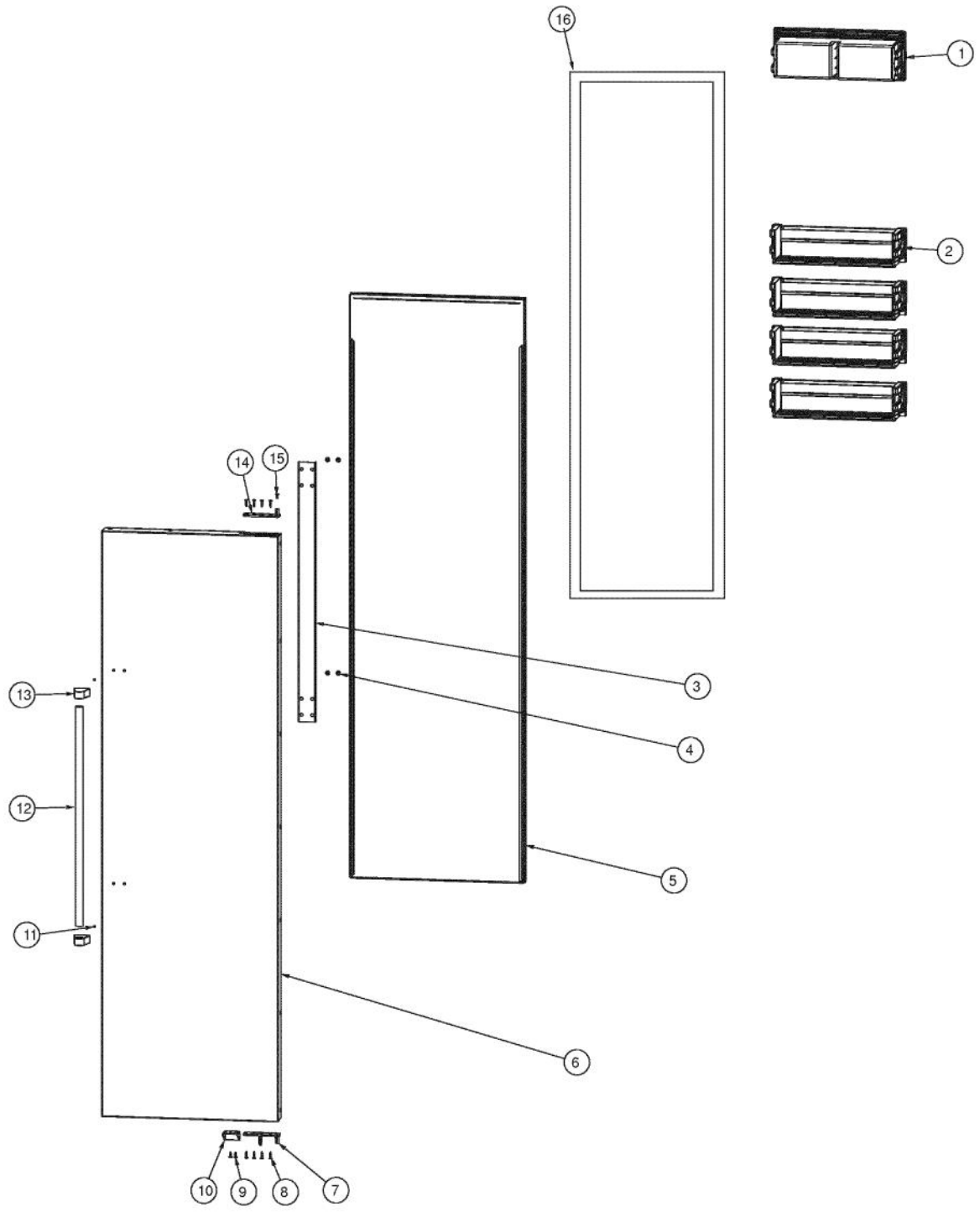
Ref #	Part Number	Qty.	Description
1	F2097793	1	TUBE FORMED HT EXCH
2	PB910259	1	THERMOSTAT DEFROST TERMINATOR
3	A3189370	3	GASKET-FOAM VA3189370
4	PD020194	23	SCREW-SM
5	K2096461	2	BRKT-EVAP COVER 12234801
6	K2096456	2	BRKT-EVAP CLIP 12215101
7	10629001	2	BLOCK-R AIR COIL RED
8	10527401	2	CLIP-EVAP
9	PM910206	1	EVAPORATOR SXS 48
10	PJ910031	1	HEATER EVAP SXS
11	10428101	2	CLIP-EVAP HTR V10428101
12	10623003	1	CLIP-EVAP
13	L2097182	1	COVER EVAP LOWER SXS 48
14	M0211014	2	SCREW-SM
15	C8983701	1	THERMISTOR
16	PK930150	1	COVER CTR EVAP
17	K2096458	1	BRKT-L-EVAP-FAN 12223102
18	K2096457	1	BRKT-R-EVAP FAN 12223101
19	G5098660	1	FAN EVAP ASM
20	L2097181	1	COVER EVAP UPPER SXS 48



Ref #	Part Number	Qty.	Description
1	F20915693	1	SERPENTINE CONDENSER DRAIN ALL SXS'S
2	PD030146	14	STAND OFF LOCK CLIP
3	PK930348	1	PAN DRAIN
4	PE070707	1	PAN HEATER
5	L20914124WH	1	TRAY PAN HEATER
6	PA030019	1	FILTER/COIL TUBE ASM
7	040066-000	1	HARNESS JUMPER LOWER
8	M0104102	3	CLIP-CORD RED
9	G32914174	1	BRKT & VALVE J.G. INLET ASM (BEFORE, ON, OR AFTER 051910R)
10	PB020303	1	PLASTIC TUBING-IM WATERLINE SXS DISP
11	G32913791	1	BRKT & VALVE H2O DUAL ASM (BEFORE 051910R)
NI	G32915704	1	BRKT AND VALVE SINGLE ASM DISP (ON OR AFTER 051910R)
12	PB020294	1	TUBE ASM-DOOR TO VALVE
13	A4554806	2	BUSHING-SNAP VA4554806
14	PD940091	2	BUSHING - DOOR STOP
15	PC920145	2	PIN - DOOR STOP
16	PD940090	2	BUSHING - WC DOOR LEVEL
17	PC920144	2	PLATE - WC DOOR SHIM
18	PC920215	1	HINGE PLATE SXS LR
19	000570-000	8	HEX SCREW
21	PC920166	1	BAR-WC BOT HINGE RH
22	M0221523	2	SCREW - SHLDR
23	003867-000	1	SPRING EXTENSION
24	PM910398	1	LEVELER ASSEMBLY - R
25	K2098044	1	BRKT GRILLE SUPPORT
26	PD020194	20	SCREW-SM
27	014334-000	2	BRACKET,LT,SWITCH
28	M0104106	2	CLIP-CORD VM0104106
29	PE950147	1	SWITCH SPST NC BLACK
30	M0220417	8	SCREW-TC
31	M0217204	2	SCREW, SM
32	014808-000	1	RELAY,WATER VALVE (ON OR AFTER 051910R)
33	PB020301	1	STEM ELBOW 1/4
34	PD020274	2	SCR SLTD HEX WSHR HD 8X1.250 BT
35	000731-000	1	AXIAL FAN
36	PE050248	1	FLOAT SWITCH HORIZONTAL
37	PD020010	2	10 X 3/8 GREEN GROUNDING SCREW
38	M0253916	1	SCREW-TF
39	B20915627	1	BRACKET HORIZ FLOAT SWITCH
40	PF930654	1	LABEL CONDENSATE FAN SERVICE
41	A4554817	1	BUSHING-SNAP VA4554817
42	K20915952	1	SHIELD BOTTOM DRAIN
43	K20911831	2	BRACKET CONDENSATE SUPPORT
44	PF031267	1	LABEL HEATER PAN
45	PC040010	4	POP RIVET
46	PE950146	1	SWITCH SPDT BLACK
47	PM910399	1	LEVELER MODULE L
48	K2098096	1	BRKT GRILLE SUPPORT
49	PC910015	1	SPRING EXTENSION
50	PD940094	2	BUSHING
51	PC920149	1	BAR-WC BOT HINGE LH
52	PM010602	2	CAM DOOR ADJUSTMENT
53	PD020234	2	SCREW THP 10-32 X .500 SS BO
54	PC020289	1	HINGE PLATE LL
55	PD940107	2	ROUND SPRING SPACER

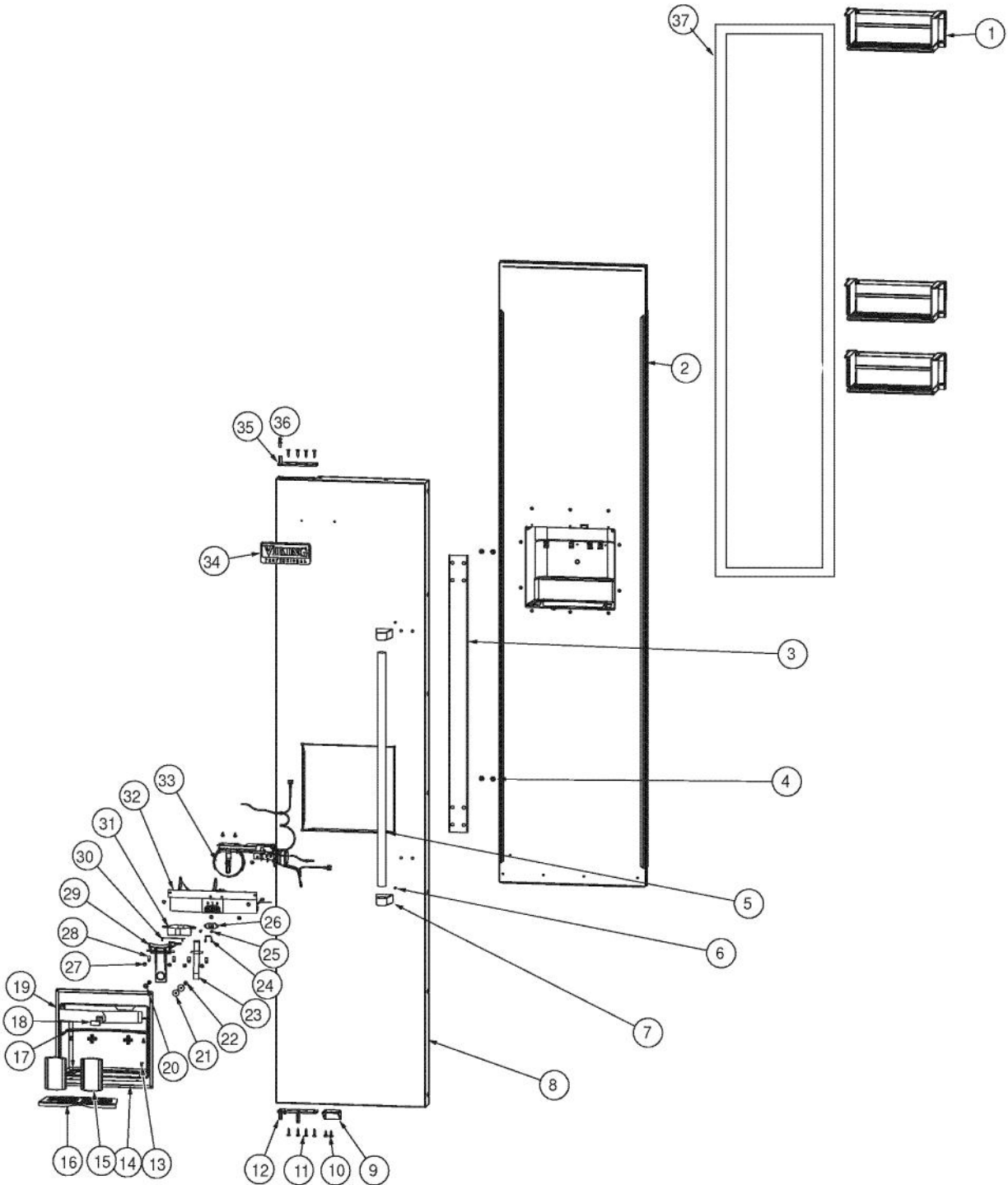


Ref #	Part Number	Qty.	Description
1	PB070355	6	INSULATION MC COVER
2	K2099458	1	MC TOP SXS 42
3	K2099461	1	MC BACK 42
4	PC040010	19	POP RIVET
5	K2099455	1	SUPPORT MC Z
6	G50915900	1	MC COVER BI 42
7	PB070360	2	INSULATION MC COVER
8	PB970171	1	MC INSULATION - BACK SIDE
9	K2099459	1	MC SIDE R
10	PD020194	40	SCREW-SM
11	A4554806	1	BUSHING-SNAP VA4554806
12	K20915675	2	BRACKET PSM
13	PD040157	4	BEARING SLEEVE
14	PK050004	2	BRACKET GRILLE
15	M0253916	8	SCREW-TF
16	003269-000	1	ENDCAP, PRO, RH, HINGE
17	003292-000	1	PLATE, BACK, GRILLE
18	003290-000	1	EXTRUSION, LOUVER, MIDDLE
19	003291-000	1	EXTRUSION, LOUVER, BOTTOM
20	003289-000	1	EXTRUSION, LOUVER, TOP
21	003274-000	1	ENDCAP, PRO, LH, HINGE
22	PD020233	1	SCR LAG 5/16-9 GX 5/16X7/16 WAF IHXW 3 S ZN
23	K2099460	1	MC SIDE L



Ref #	Part Number	Qty.	Description
1	PK930123	1	DAIRY MODULE ASM SXS 42
2	G5098675	4	DOORBIN ASM SXS 42 FF
3	013328-000	1	BRKT,HANDLE,SUPPORT,PRO
4	M0204303	4	SCREW-MACH
5	007514-000	1	DOOR FOAM ASM SXS 42 FF
6	009157-000	1	SKIN,ASM,SXS 42 PRO FF SS
6	009207-002	1	SKIN, DOOR, SXS 42 PRO FF BK
6	009207-003	1	SKIN, DOOR, SXS 42 PRO FF BT
6	009207-004	1	SKIN, DOOR, SXS 42 PRO FF SG
6	009207-005	1	SKIN, DOOR, SXS 42 PRO FF GG
6	009207-007	1	SKIN,DOOR,SXS 42 PRO FF AL
6	009207-008	1	SKIN, DOOR, SXS 42 PRO FF BU
6	009207-009	1	SKIN, DOOR, SXS 42 PRO FF LE
6	009207-010	1	SKIN, DOOR, SXS 42 PRO FF MJ
6	009207-011	1	SKIN,DOOR,SXS 42 PRO FF FG
6	009207-012	1	SKIN,DOOR,SXS 42 PRO FF VB
6	009207-013	1	SKIN, DOOR, SXS 42 PRO FF CB
6	009207-014	1	SKIN,DOOR,SXS 42 PRO FF EP
6	009207-015	1	SKIN,DOOR,SXS 42 PRO FF PL
6	009207-016	1	SKIN,DOOR,SXS 42 PRO FF CH
6	009207-017	1	SKIN, DOOR, SXS 42 PRO FF TP
6	009207-018	1	SKIN, DOOR, SXS 42 PRO FF CW
6	009207-019	1	SKIN, DOOR, SXS 42 PRO FF OG
6	009207-020	1	SKIN, DOOR, SXS 42 PRO FF GM
6	009207-021	1	SKIN, DOOR, SXS 42 PRO FF SA
6	009207-022	1	SKIN, DOOR, SXS 42 PRO FF SE
6	009207-023	1	SKIN, DOOR, SXS 42 PRO FF IB
6	009207-024	1	SKIN, DOOR, SXS 42 PRO FF AR
6	009207-025	1	SKIN, DOOR, SXS 42 PRO FF RR
6	009207-026	1	SKIN, DOOR, SXS 42 PRO FF PM
6	009207-027	1	SKIN, DOOR, SXS 42 PRO FF MS
7	PC020276	1	PIVOT PL ASM RH LW PRO/DES
8	PD920174	5	10-32 TORX HEAD SCREW
9	M0210458	1	SCREW-SM
10	PD050019	1	STRIKER DOOR SWITCH
11	000270-000	2	SET SCREW
12	012891-000	1	HANDLE,PRO
13	000268-000	2	HANDLE END CAP ASSY
13	000268-100	2	HANDLE ENDCAP BRASS
14	PC020278	1	PIVOT PL ASM RH UP PRO/DES
15	PD020234	1	SCREW THP 10-32 X .500 SS BO
NI	007478-000	1	DOOR ASM SXS 42/42D FF
NI	009169-000	1	DOOR, SKIN, ASM,SXS 42 FF PRO SS
NI	009209-002	1	DOOR, SKIN, ASM, SXS 42 PRO FF BK
NI	009209-003	1	DOOR, SKIN, ASM, SXS 42 PRO FF BT
NI	009209-004	1	DOOR, SKIN, ASM, SXS 42 PRO FF SG
NI	009209-005	1	DOOR, SKIN, ASM, SXS 42 PRO FF GG
NI	009209-007	1	DOOR,SKIN,ASM,SXS 42 PRO FF AL
NI	009209-008	1	DOOR, SKIN, ASM, SXS 42 PRO FF BU
NI	009209-009	1	DOOR, SKIN, ASM, SXS 42 PRO FF LE
NI	009209-010	1	DOOR, SKIN, ASM, SXS 42 PRO FF MJ
NI	009209-011	1	DOOR,SKIN,ASM,SXS 42 PRO FF FG
NI	009209-012	1	DOOR,SKIN,ASM,SXS 42 PRO FF VB
NI	009209-013	1	DOOR, SKIN, ASM, SXS 42 PRO FF CB
NI	009209-014	1	DOOR,SKIN,ASM,SXS 42 PRO FF EP
NI	009209-015	1	DOOR,SKIN,ASM,SXS 42 PRO FF PL
NI	009209-016	1	DOOR,SKIN,ASM,SXS 42 PRO FF CH
NI	009209-017	1	DOOR, SKIN, ASM, SXS 42 PRO FF TP
NI	009209-018	1	DOOR, SKIN, ASM, SXS 42 PRO FF CW
NI	009209-019	1	DOOR, SKIN, ASM, SXS 42 PRO FF OG

Ref #	Part Number	Qty.	Description
NI	009209-019	1	DOOR, SKIN, ASM, SXS 42 PRO FF OG
NI	009209-020	1	DOOR, SKIN, ASM, SXS 42 PRO FF GM
NI	009209-021	1	DOOR, SKIN, ASM, SXS 42 PRO FF SA
NI	009209-022	1	DOOR, SKIN, ASM, SXS 42 PRO FF SE
NI	009209-023	1	DOOR, SKIN, ASM, SXS 42 PRO FF IB
NI	009209-024	1	DOOR, SKIN, ASM, SXS 42 PRO FF AR
NI	009209-025	1	DOOR, SKIN, ASM, SXS 42 PRO FF RR
NI	009209-026	1	DOOR, SKIN, ASM, SXS 42 PRO FF PM
NI	009209-027	1	DOOR, SKIN, ASM, SXS 42 PRO FF MS
NI	009169-100	1	DOOR, SKIN, ASM, SXS 42 FF PRO SS BRASS
NI	009209-102	1	DOOR, SKIN, ASM, SXS 42 PRO FF BK/BR
NI	009209-103	1	DOOR, SKIN, ASM, SXS 42 PRO FF BT/BR
NI	009209-104	1	DOOR, SKIN, ASM, SXS 42 PRO FF SG/BR
NI	009209-105	1	DOOR, SKIN, ASM, SXS 42 PRO FF GG/BR
NI	009209-107	1	DOOR, SKIN, ASM, SXS 42 PRO FF AL BR
NI	009209-108	1	DOOR, SKIN, ASM, SXS 42 PRO FF BU/BR
NI	009209-109	1	DOOR, SKIN, ASM, SXS 42 PRO FF LE/BR
NI	009209-110	1	DOOR, SKIN, ASM, SXS 42 PRO FF MJ/BR
NI	009209-111	1	DOOR, SKIN, ASM, SXS 42 PRO FF FG BR
NI	009209-112	1	DOOR, SKIN, ASM, SXS 42 PRO FF VB BR
NI	009209-113	1	DOOR, SKIN, ASM, SXS 42 PRO FF CB/BR
NI	009209-114	1	DOOR, SKIN, ASM, SXS 42 PRO FF EP BR
NI	009209-115	1	DOOR, SKIN, ASM, SXS 42 PRO FF PL BR
NI	009209-116	1	DOOR, SKIN, ASM, SXS 42 PRO FF CH BR
NI	009209-117	1	DOOR, SKIN, ASM, SXS 42 PRO FF TP/BR
NI	009209-118	1	DOOR, SKIN, ASM, SXS 42 PRO FF CW/BR
NI	009209-119	1	DOOR, SKIN, ASM, SXS 42 PRO FF OG/BR
NI	009209-120	1	DOOR, SKIN, ASM, SXS 42 PRO FF GM/BR
NI	009209-121	1	DOOR, SKIN, ASM, SXS 42 PRO FF SA/BR
NI	009209-122	1	DOOR, SKIN, ASM, SXS 42 PRO FF SE/BR
NI	009209-123	1	DOOR, SKIN, ASM, SXS 42 PRO FF IB/BR
NI	009209-124	1	DOOR, SKIN, ASM, SXS 42 PRO FF AR/BR
NI	009209-125	1	DOOR, SKIN, ASM, SXS 42 PRO FF RR/BR
NI	009209-126	1	DOOR, SKIN, ASM, SXS 42 PRO FF PM/BR
NI	009209-127	1	DOOR, SKIN, ASM, SXS 42 PRO FF MS/BR
16	005451-000	1	GASKET, ASM, 42, SXS, FF VIDNO. 602711807-17



Ref #	Part Number	Qty.	Description
1	G5098676	3	DOORBIN ASM SXS 42 & 48 FZ
2	016264-000	1	DOOR FOAM ASM 42D FZ
3	013328-000	1	BRKT,HANDLE,SUPPORT,PRO
4	M0204303	4	SCREW-MACH
5	012891-000	1	HANDLE,PRO
6	PD020043	1	NO.6-32 X .750 PH. CTRSK T(F)-VGSO166
7	000268-000	2	HANDLE END CAP ASSY
7	000268-100	2	HANDLE ENDCAP BRASS
8	007495-000	1	DOOR ASM SXS 42D FZ
8	009204-002	1	SKIN, DOOR, SXS 42 PRO FZ BK
8	009204-003	1	SKIN, DOOR, SXS 42 PRO FZ BT
8	009204-004	1	SKIN, DOOR, SXS 42 PRO FZ SG
8	009204-005	1	SKIN, DOOR, SXS 42 PRO FZ GG
8	009204-006	1	SKIN, DOOR, SXS 42 PRO FZ WH
8	009204-007	1	SKIN,DOOR,SXS 42 PRO FZ AL
8	009204-008	1	SKIN, DOOR, SXS 42 PRO FZ BU
8	009204-009	1	SKIN, DOOR, SXS 42 PRO FZ LE
8	009204-010	1	SKIN, DOOR, SXS 42 PRO FZ MJ
8	009204-011	1	SKIN,DOOR,SXS 42 PRO FZ FG
8	009204-012	1	SKIN,DOOR,SXS 42 PRO FZ VB
8	009204-013	1	SKIN, DOOR, SXS 42 PRO FZ CB
8	009204-014	1	SKIN,DOOR,SXS 42 PRO FZ EP
8	009204-015	1	SKIN,DOOR,SXS 42 PRO FZ PL
8	009204-016	1	SKIN,DOOR,SXS 42 PRO FZ CH
8	009204-017	1	SKIN, DOOR, SXS 42 PRO FZ TP
8	009204-018	1	SKIN, DOOR, SXS 42 PRO FZ CW
8	009204-019	1	SKIN, DOOR, SXS 42 PRO FZ OG
8	009204-020	1	SKIN, DOOR, SXS 42 PRO FZ GM
8	009204-021	1	SKIN, DOOR, SXS 42 PRO FZ SA
8	009204-022	1	SKIN, DOOR, SXS 42 PRO FZ SE
8	009204-023	1	SKIN, DOOR, SXS 42 PRO FZ IB
8	009204-024	1	SKIN, DOOR, SXS 42 PRO FZ AR
8	009204-025	1	SKIN, DOOR, SXS 42 PRO FZ RR
8	009204-026	1	SKIN, DOOR, SXS 42 PRO FZ PM
8	009204-027	1	SKIN, DOOR, SXS 42 PRO FZ MS
9	PD050019	1	STRIKER DOOR SWITCH
10	M0210458	2	SCREW-SM
11	PD920174	8	10-32 TORX HEAD SCREW
12	PC020277	1	PIVOT PL ASM LH LW PRO/DES
13	M0215318	4	SCREW-SM
14	011672-000	1	BEZEL,DES, I/W DISPENSER
15	009631-000	2	PAD ACTUATOR
16	013688-000	1	TRAY,SPILL, I/W DISPENSER
17	013686-000	1	STOP, E FACADE
18	013685-000	1	CAP, SWITCH
19	015156-000	1	INSERT,FACADE,DES, I/W DISPENSER
20	PD040071	1	NO.8-.437 O.D. FLAT WASHER SS
21	M0270546	2	WASHER
22	M0210443	2	SCREW-E SM
23	PK930404	1	ARM WATER ACTUATOR
24	B8385402	1	SPRING-RETURN
25	003334-000	2	SCR, NO.4-24 X 1/2
26	PE950152	1	SWITCH SLIDE
27	PD020193	11	SCR 8-18 X 3/8
28	B10910081	4	DISP RETAINER ICE ARM
29	PK030470	1	ARM ICE ACTUATOR
30	PC010022	1	SPRING RETURN ICE ACTUATOR
31	013684-000	1	SHROUD, I/W DISPENSER
32	PE070755	1	DISPENSER CAVITY ASSEMBLY
33	G50914150	1	ICE DISPENSER MODULE ASM

Ref #	Part Number	Qty.	Description
33	G50914150	1	ICE DISPENSER MODULE ASM
34	PE010030	1	LOGO, 6, PRO, BK
34	PE010068	1	LOGO, 6, PRO, BK/BR
35	PC020279	1	PIVOT PL ASM LH UP PRO/DES
36	PD020234	1	SCREW THP 10-32 X .500 SS BO
NI	009155-000	1	DOOR, SKIN, ASM, SXS 42 FZ PRO SS
NI	009206-002	1	DOOR, SKIN, ASM, SXS 42 PRO FZ BK
NI	009206-003	1	DOOR, SKIN, ASM, SXS 42 PRO FZ BT
NI	009206-004	1	DOOR, SKIN, ASM, SXS 42 PRO FZ SG
NI	009206-005	1	DOOR, SKIN, ASM, SXS 42 PRO FZ GG
NI	009206-007	1	DOOR, SKIN, ASM, SXS 42 PRO FZ AL
NI	009206-008	1	DOOR, SKIN, ASM, SXS 42 PRO FZ BU
NI	009206-009	1	DOOR, SKIN, ASM, SXS 42 PRO FZ LE
NI	009206-010	1	DOOR, SKIN, ASM, SXS 42 PRO FZ MJ
NI	009206-011	1	DOOR, SKIN, ASM, SXS 42 PRO FZ FG
NI	009206-012	1	DOOR, SKIN, ASM, SXS 42 PRO FZ VB
NI	009206-013	1	DOOR, SKIN, ASM, SXS 42 PRO FZ CB
NI	009206-014	1	DOOR, SKIN, ASM, SXS 42 PRO FZ EP
NI	009206-015	1	DOOR, SKIN, ASM, SXS 42 PRO FZ PL
NI	009206-016	1	DOOR, SKIN, ASM, SXS 42 PRO FZ CH
NI	009206-017	1	DOOR, SKIN, ASM, SXS 42 PRO FZ TP
NI	009206-018	1	DOOR, SKIN, ASM, SXS 42 PRO FZ CW
NI	009206-019	1	DOOR, SKIN, ASM, SXS 42 PRO FZ OG
NI	009206-020	1	DOOR, SKIN, ASM, SXS 42 PRO FZ GM
NI	009206-021	1	DOOR, SKIN, ASM, SXS 42 PRO FZ SA
NI	009206-022	1	DOOR, SKIN, ASM, SXS 42 PRO FZ SE
NI	009206-023	1	DOOR, SKIN, ASM, SXS 42 PRO FZ IB
NI	009206-024	1	DOOR, SKIN, ASM, SXS 42 PRO FZ AR
NI	009206-025	1	DOOR, SKIN, ASM, SXS 42 PRO FZ RR
NI	009206-026	1	DOOR, SKIN, ASM, SXS 42 PRO FZ PM
NI	009206-027	1	DOOR, SKIN, ASM, SXS 42 PRO FZ MS
NI	009155-100	1	SKIN, ASM, SXS 42 FZ PROI SS/BR
NI	009206-102	1	DOOR, SKIN, ASM, SXS 42 PRO FZ BK/BR
NI	009206-103	1	DOOR, SKIN, ASM, SXS 42 PRO FZ BT/BR
NI	009206-104	1	DOOR, SKIN, ASM, SXS 42 PRO FZ SG/BR
NI	009206-105	1	DOOR, SKIN, ASM, SXS 42 PRO FZ GG/BR
NI	009206-107	1	DOOR, SKIN, ASM, SXS 42 PRO FZ AL BR
NI	009206-108	1	DOOR, SKIN, ASM, SXS 42 PRO FZ BU/BR
NI	009206-109	1	DOOR, SKIN, ASM, SXS 42 PRO FZ LE/BR
NI	009206-110	1	DOOR, SKIN, ASM, SXS 42 PRO FZ MJ/BR
NI	009206-111	1	DOOR, SKIN, ASM, SXS 42 PRO FZ FG BR
NI	009206-112	1	DOOR, SKIN, ASM, SXS 42 PRO FZ VB BR
NI	009206-113	1	DOOR, SKIN, ASM, SXS 42 PRO FZ CB/BR
NI	009206-114	1	DOOR, SKIN, ASM, SXS 42 PRO FZ EP BR
NI	009206-115	1	DOOR, SKIN, ASM, SXS 42 PRO FZ PL BR
NI	009206-116	1	DOOR, SKIN, ASM, SXS 42 PRO FZ CH BR
NI	009206-117	1	DOOR, SKIN, ASM, SXS 42 PRO FZ TP/BR
NI	009206-118	1	DOOR, SKIN, ASM, SXS 42 PRO FZ CW/BR
NI	009206-119	1	DOOR, SKIN, ASM, SXS 42 PRO FZ OG/BR
NI	009206-120	1	DOOR, SKIN, ASM, SXS 42 PRO FZ GM/BR
NI	009206-121	1	DOOR, SKIN, ASM, SXS 42 PRO FZ SA/BR
NI	009206-122	1	DOOR, SKIN, ASM, SXS 42 PRO FZ SE/BR
NI	009206-123	1	DOOR, SKIN, ASM, SXS 42 PRO FZ IB/BR
NI	009206-124	1	DOOR, SKIN, ASM, SXS 42 PRO FZ AR/BR
NI	009206-125	1	DOOR, SKIN, ASM, SXS 42 PRO FZ RR/BR
NI	009206-126	1	DOOR, SKIN, ASM, SXS 42 PRO FZ PM/BR
NI	009206-127	1	DOOR, SKIN, ASM, SXS 42 PRO FZ MS/BR
37	005453-000	1	GASKET, ASM, 42, SXS, FZ DISP

*No Image
Available*

Ref #	Part Number	Qty.	Description
NI	PE970464	1	HARNESS LOW VOLT
NI	015365-000	1	HARNESS HIGH VOLT
NI	PE070728	1	BOARD LOW VOLTAGE
NI	PE970609	1	HARNESS CONTROL BOARD
NI	040085-000	1	HARNESS, MAIN
NI	040078-000	1	HARNESS, JUMPER DISP CAVITY
NI	040066-000	1	HARNESS JUMPER LOWER
NI	048806-000	1	DISPENSER WIRE SHIELD