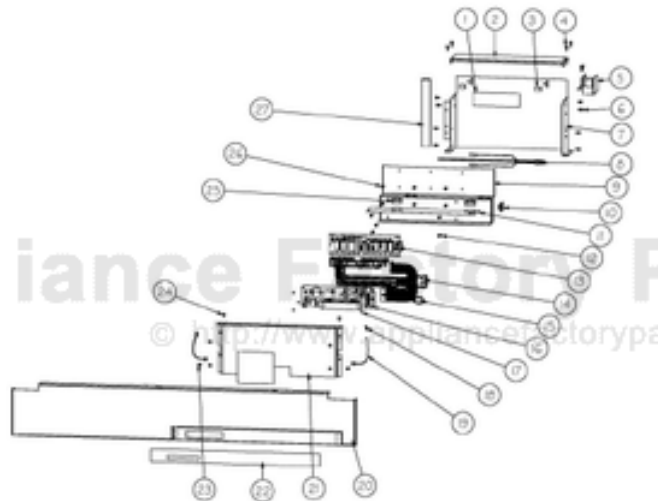


This Owner's Manual is provided and hosted by [Appliance Factory Parts](http://ApplianceFactoryParts.com).



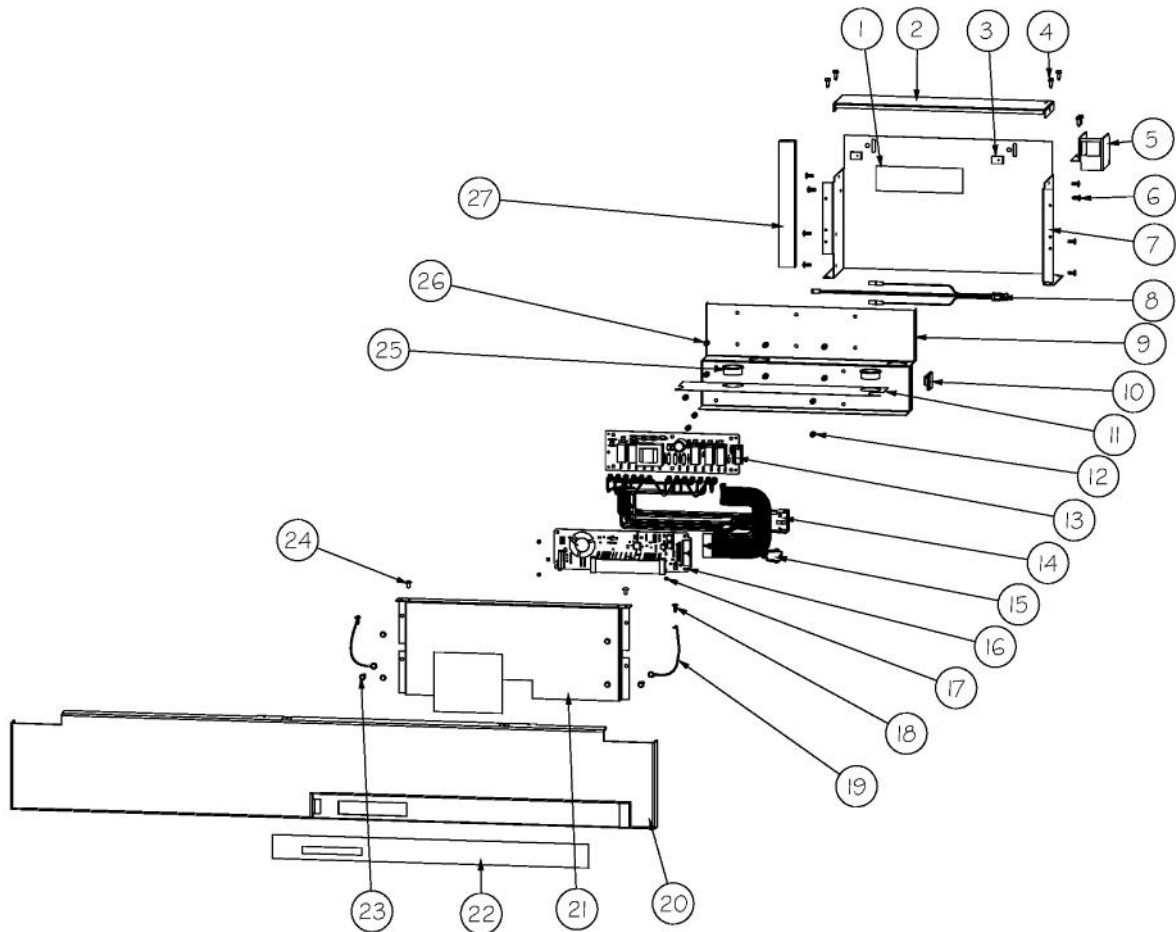
# VIKING VCSB5481D Owner's Manual

[Shop genuine replacement parts for VIKING  
VCSB5481D](#)

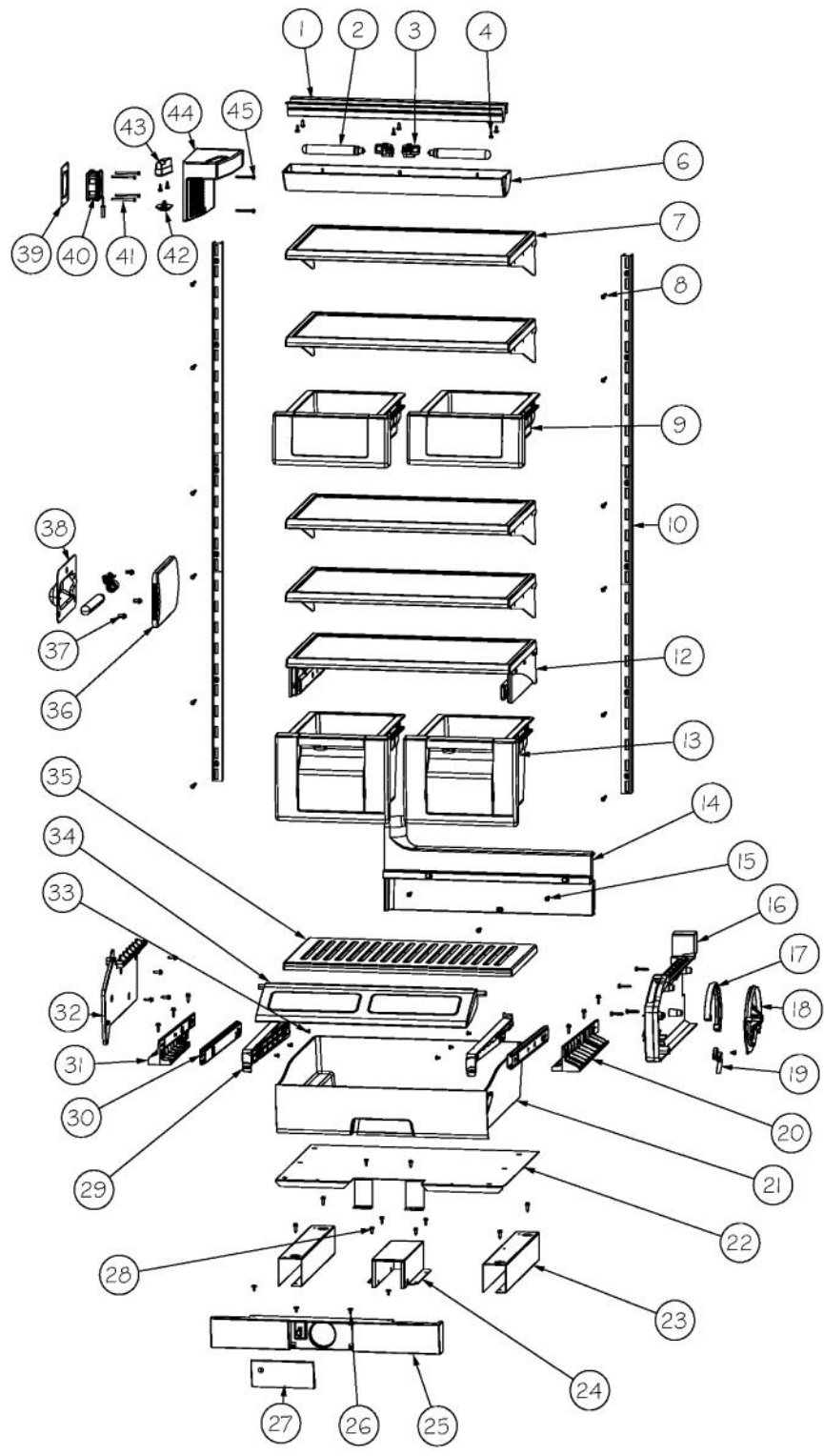


[Find Your VIKING Refrigerator Parts - Select From 341 Models](#)

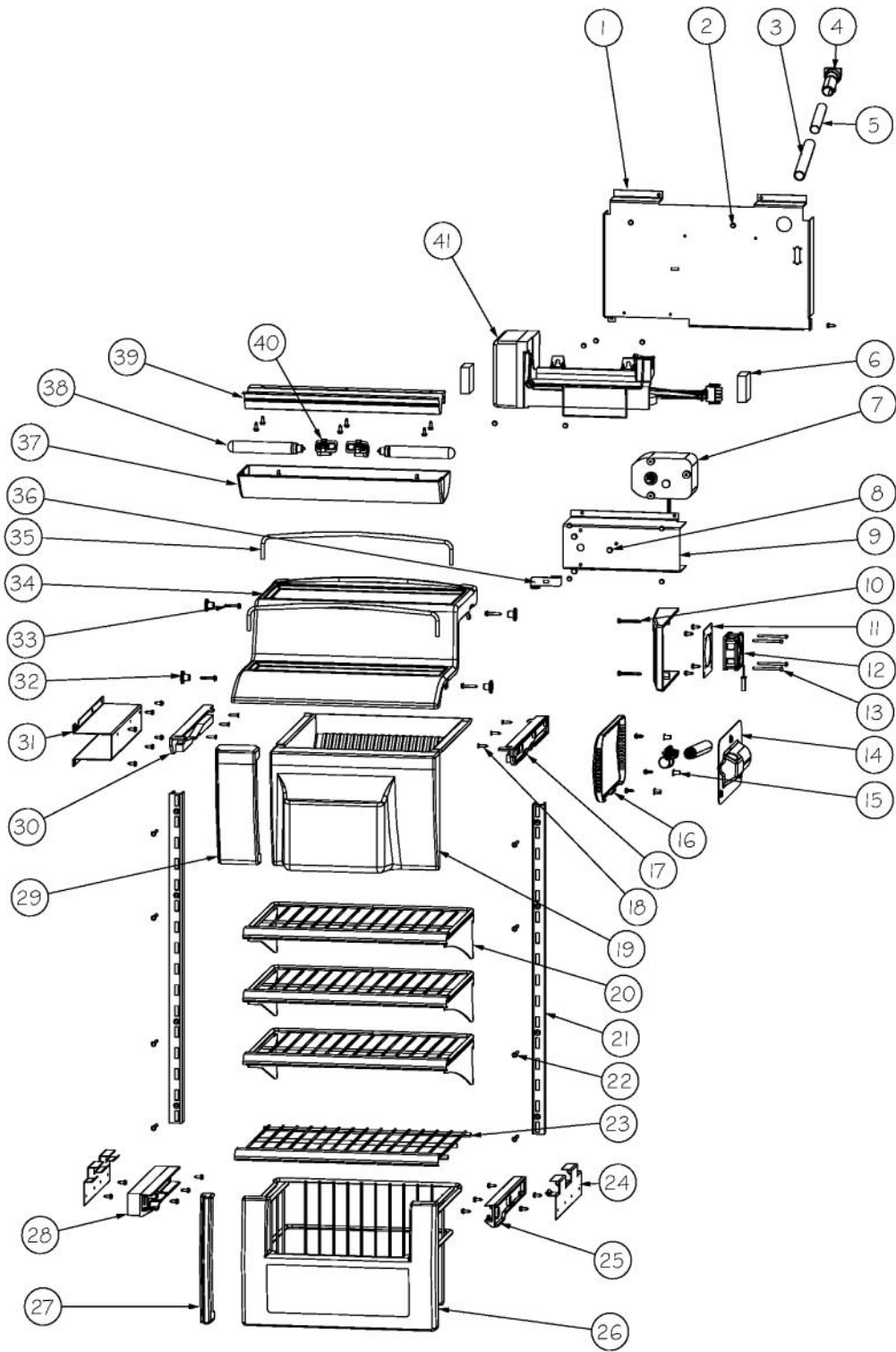
----- Manual continues below -----



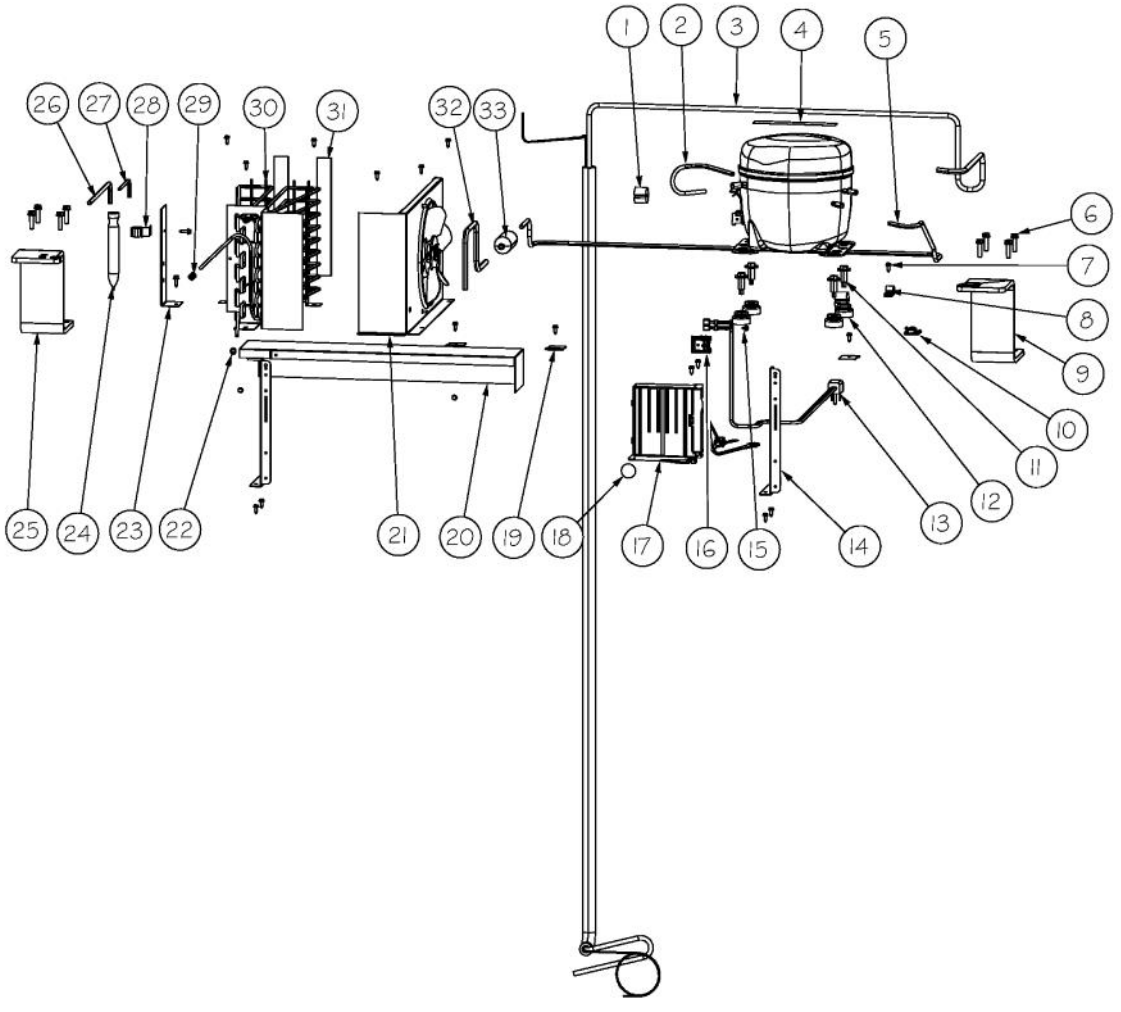
Ref #	Part Number	Qty.	Description
1	PF930672	2	LABEL DC COMPRESSOR
2	K20915000	1	CONTROL BOX TOP
3	M0288120	2	NUT-SPEED, VM0288120
4	PD020194	10	SCREW-SM
5	025433-000	1	BRACKET,SW,POWER
6	PC040010	8	POP RIVET
7	016928-000	1	CONTROL BOX
8	PE970609	1	HARNESS CONTROL BOARD
9	019993-000	1	BRACKET - PC
10	M0104106	1	CLIP-CORD VM0104106
11	005396-000	1	FILM,PROTECTIVE
12	M0585504	5	SUPPORT
13	005319-000	1	POWER CONTROL BOARD ASM
14	015365-000	1	HARNESS HIGH VOLT
15	PE970464	1	HARNESS LOW VOLT
16	017695-000	1	BOARD LOW VOLTAGE
17	PD020013	5	TYPE AB NO.6 X 3/8 PH PAN HD. SMS
18	PC040010	1	POP RIVET
19	12064001	2	SUPP-CONT PANEL
20	016593-000	1	PANEL CONTROL SXS 48
21	016930-000	1	CONTROL BOX FRONT
22	016273-000	1	OVERLAY,SW,ASM,SXS 48 DISP
23	M0238846	2	SCREW-SHLDR
24	M0224128	2	SCREW-SM
25	A4554817	2	BUSHING-SNAP VA4554817
26	M0585504	6	SUPPORT
27	A3030361	1	GASKET, RED



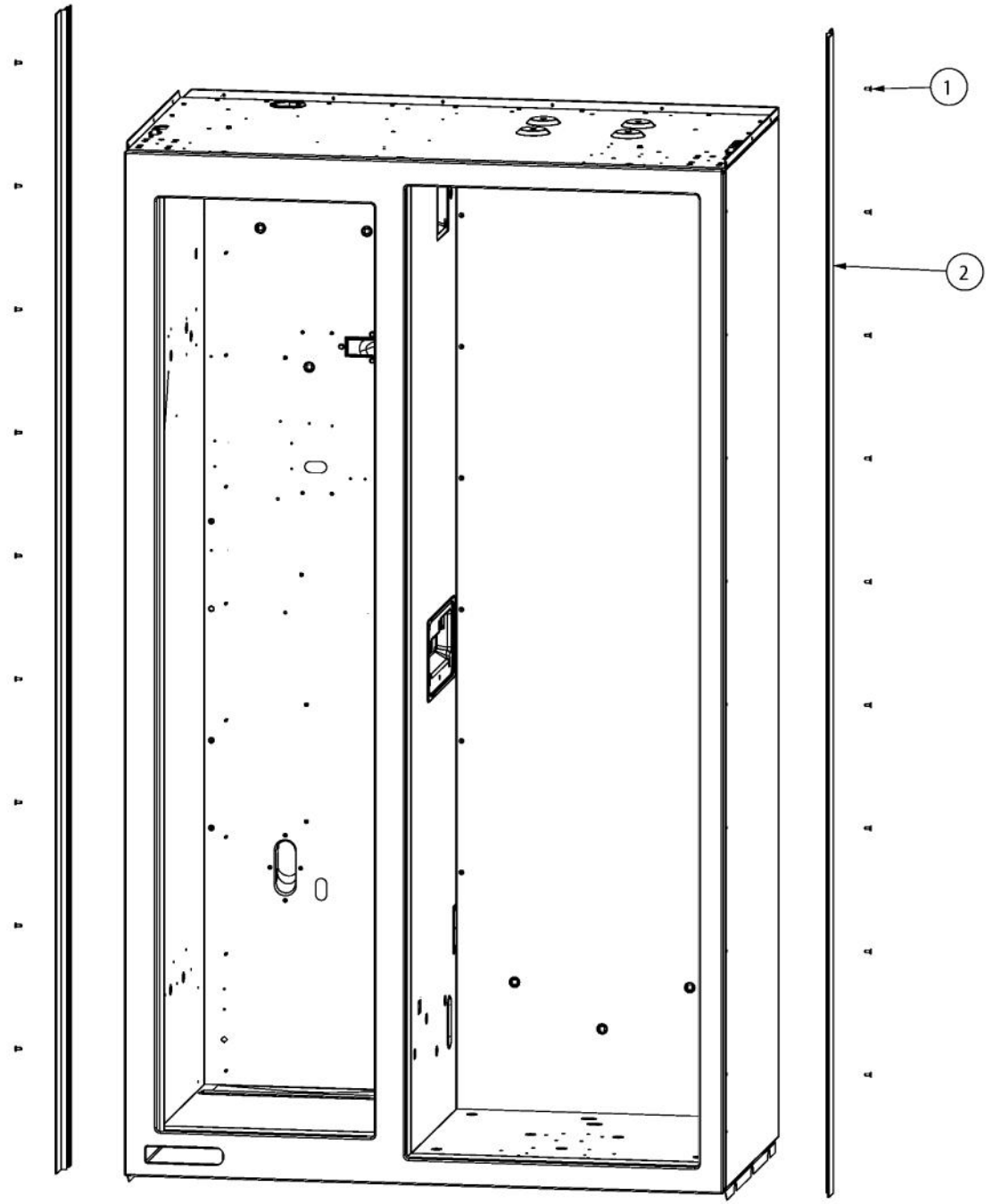
Ref #	Part Number	Qty.	Description
1	L2099474	1	BRACKET LIGHT SXS 42 FF
2	004528-000	3	LAMP, 40 WATT BLUE LIGHT
3	PE950125	3	LIGHT SOCKET
4	PD020195	24	SCR 8-18 X 5/8
6	020120-000	1	COVER LIGHT ASM SXS 42 FF
7	PM910350	2	SHELF ASM GLASS SXS 42 FF
8	M0238535	12	SCREW-SM
9	G32910068	1	DRAWER DELI & RAIL ASM SXS 42
10	PM910227	2	LADDER RS REF
12	G5099965	2	SHELF AND SLIDE ASM SXS 42
13	012259-000	2	DRAWER PRODUCE ASM AR 30/48
14	PK930171	1	DUCT MEAT SAVOR SXS 42 REAR
15	M0211021	3	SCREW-SM
16	PK930169	1	DUCT MEAT SAVOR SXS 42/48 R
17	PK930172	1	COVER CONTROL MEAT SAVOR
18	PK930168	1	DIAL CONTROL MEAT SAVOR
19	PM910334	1	ROLLER TENSION
20	PK930173	1	SUPPORT SLIDE MEAT SAVOR SXS 42/48 R
21	PK930114	1	DRAWER MEAT SAVOR SXS 42
22	L2099251	1	FLOOR FALSE 42 SXS DISP
23	K20913096	2	BRACKET FALSE FLOOR
24	L20915031	1	COVER WATER FILTER 42/48 DISP
25	PK930237	1	COVER FALSE FRONT 42 SXS DISP
26	PD020032	4	SRW-8(A)X3/8PH.WFR HD 7/16DIAXNICL
27	PK930313	1	COVER WATER FILTER SXS DISP
28	PD020194	4	SCREW-SM
29	PK930176	1	SUPPORT DRAWER MEAT SAVOR 42/48 L
30	PM910288	1	SLIDE MEAT SAVOR L
31	PK930174	1	SUPPORT SLIDE MEAT SAVOR SXS 42/48 L
32	PK930170	1	DUCT MEAT SAVOR SXS 42 L
33	PD920162	2	SCR 8-16 PLASTITE PNP 1/4 S
34	020111-000	1	DOOR MEATSAVOR ASM SXS 42
35	PK930120	1	SHELF MEAT SAVOR SXS 42
36	PK930346	2	COVER LIGHT
37	M0580007	3	GROMMET-SCREW
38	10270203	2	HOUSING-LIGHT V10270203
39	007302-000	1	BRACKET,FAN
40	004551-000	1	AXIAL FAN
41	M0221913	4	SCREW-SM
42	C8983701	1	THERMISTOR
43	010093-000	1	PLASMA CLUSTER
44	012312-000	1	FAN COVER SXS
45	PD020188	2	SCR 8-18 BT HXWS 1 1/2



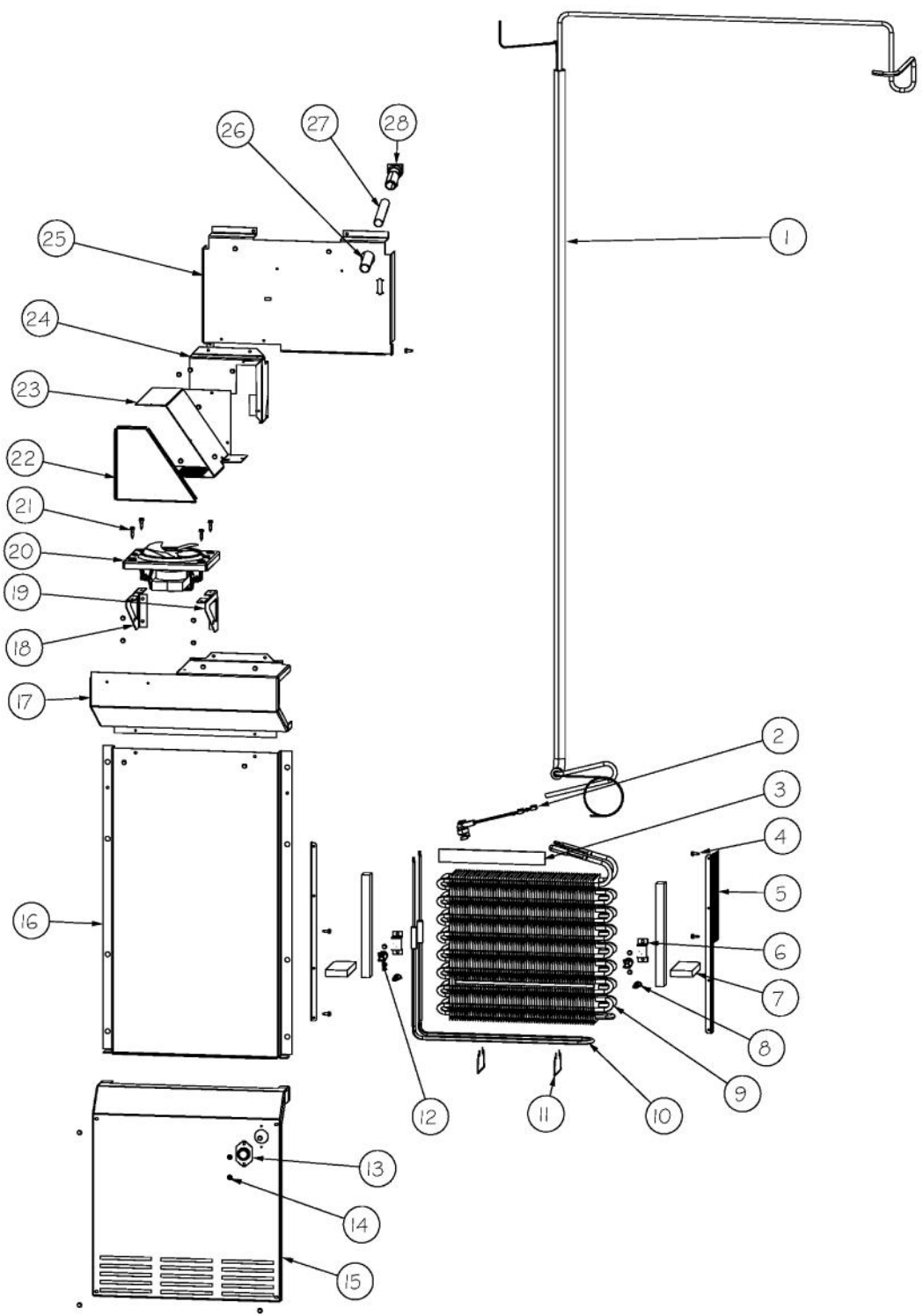
Ref #	Part Number	Qty.	Description
1	C90910058WH	1	COVER UPPER EVAP
2	PD020194	41	SCREW-SM
3	PB920220	1	EXT FILL TUBE
4	10276601	1	ELBOW-FILLER TUBE
5	G5096419	1	FILL TUBE ASSY 10942511 BEFORE 6/12/2012
5	029418-000	1	FILL TUBE AFTER 6/12/2012
6	PB970176	2	GASKET UPPER EVAP COVER
7	PE950158	1	MOTOR AUGER
8	PD020191	1	SCR. NO.10 PLAS HXW 1/2 S
9	C20910713WH	1	BRACKET - AUGER MOTOR
10	PD020188	2	SCR 8-18 BT HXWS 1 1/2
11	007302-000	1	BRACKET,FAN
12	004551-000	1	AXIAL FAN
13	M0221913	4	SCREW-SM
14	10270203	1	HOUSING-LIGHT V10270203
15	M0580007	3	GROMMET-SCREW
16	PK930346	1	COVER LIGHT
17	PK930265	1	GLIDE R FZ
18	M0213503	6	SCREW-SM
19	PM910331	1	ICE BUCKET ASSY
20	PM910189	3	SHELF WIRE FZ
21	PM910375	2	LADDER R/L FZ
22	M0238535	6	SCREW-SM
23	PM910231	1	FZ FIXED BASKET ASSEMBLY
24	L20910067	2	FZ SHELF BRACKET
25	PK930074	1	GLIDE SXS 48 FZ R
26	PM910190	1	BASKET ASM FZ
27	PK930107	1	FZ BASKET SIDE SPACER FRONT
28	PK930075	1	GLIDE SXS 48 FZ L
29	PK930096	1	CLOSEOUT - ICE DISPENSER
30	PK930266	1	GLIDE L FZ
31	C20910027	1	SUPPORT, LS ICE BUCKET
32	12258501	4	SUPPORT-SHELF
33	M0211021	4	SCREW-SM
34	PK930264	1	SHELF COVER
35	PM910435	2	RETAINER WIRE
36	B20911863	1	DRIVER ? ICE BUCKET RNG
37	PK930116	1	COVER LIGHT ASM SXS 42 FZ
38	004528-000	3	LAMP, 40 WATT BLUE LIGHT
39	L2099475	1	BRACKET LIGHT SXS FZ
40	PE950125	3	LIGHT SOCKET
41	G50911855	1	ICE MAKER ASM, DISP



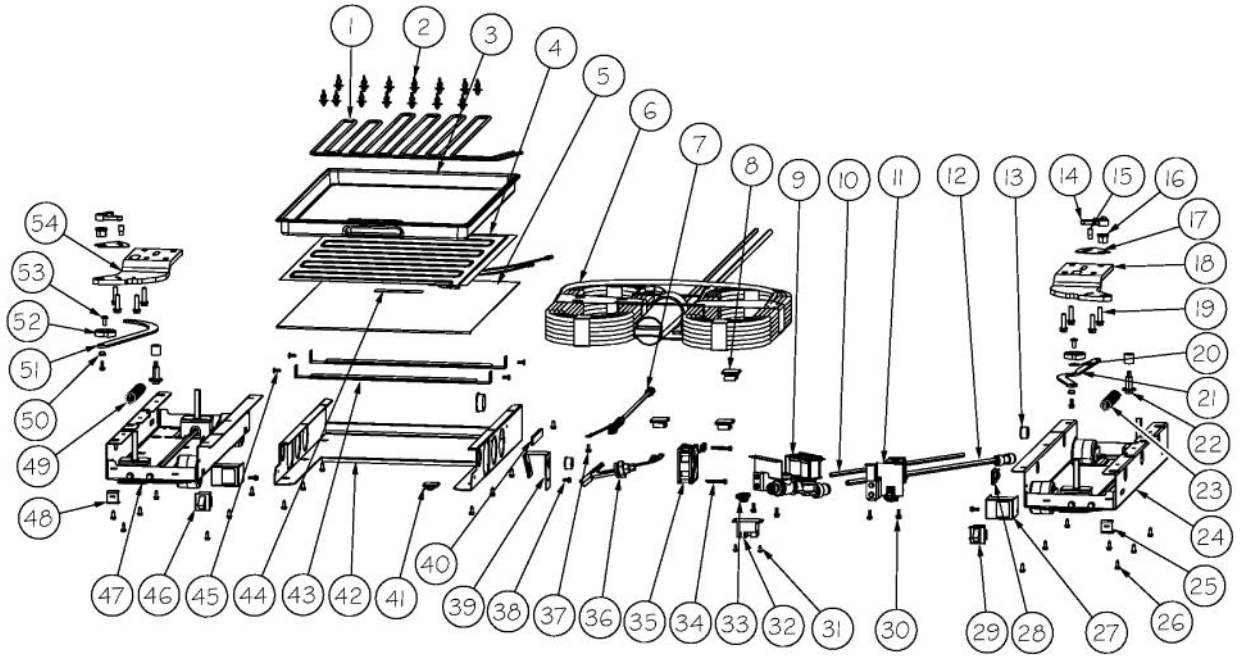
Ref #	Part Number	Qty.	Description
1	10699601	2	DAMPER-TUBING .8
2	F2096507	1	TUBE-PROCESS GRN
3	F2097793	1	TUBE FORMED HT EXCH
4	027412-000	1	LABEL-COMP WARN
5	F2099443	1	TUBE DISCHARGE FORMED PRE ACCUM
6	000570-000	8	HEX SCREW
7	PD020195	20	SCR 8-18 X 5/8
8	PD030118	1	SCREW - SHLDR
9	PC920203	1	HINGE ASM UR
10	M0104106	1	CLIP-CORD VM0104106
11	M0221523	4	SCREW - SHLDR
12	10835901	4	GROMMET RUBBER V10835901
13	10916507D	1	POWER CORD
14	014190-000	2	BRACKET GRILLE SUPPORT
15	M0211014	1	SCREW-SM
16	PE950149	1	SWITCH POWER
17	011666-000	1	INVERTER CMPRESSOR
18	PF930682	1	LABEL WARNING INVERTER
19	K2096943	3	PANEL BRACKET
20	014519-000	1	DIVERTER AIR HI SIDE SXS
21	G5096494	1	COND. FAN ASSY
22	007408-000	1	RING,LOK, .250 DIA
23	K2099454	1	BRACKET DRIER
24	PM910381	1	DRIER - HIGH SIDE
25	PC920204	1	HINGE ASM UL
26	F2097740	1	TUBE PROCESS
27	F2096504	1	TUBE-DRIER EXT
28	10547001	1	CLIP-DRIER V10547001
29	007407-000	1	RING,LOK, .187 DIA
30	PB920171	1	CONDENSER ASM
31	A3189370	2	GASKET-FOAM VA3189370
32	008093-000	1	TUBE EVACUTION
33	PB920201	1	ACCUMULATOR



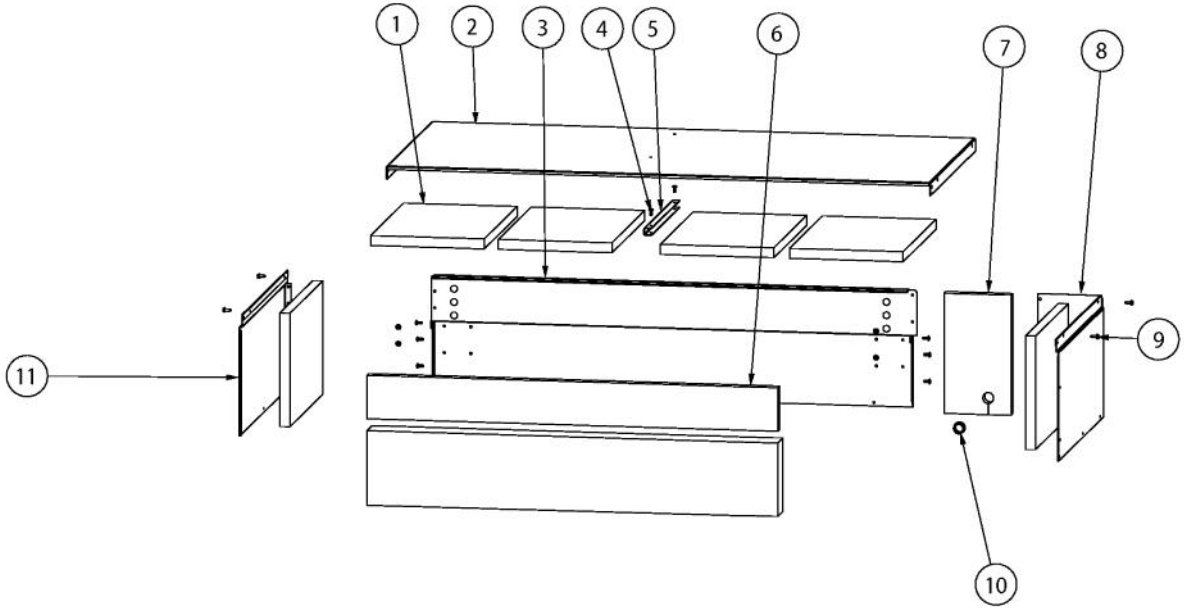
Ref #	Part Number	Qty.	Description
1	M0215318	18	SCREW-SM
2	PK910123	2	SIDE TRIM - PRO



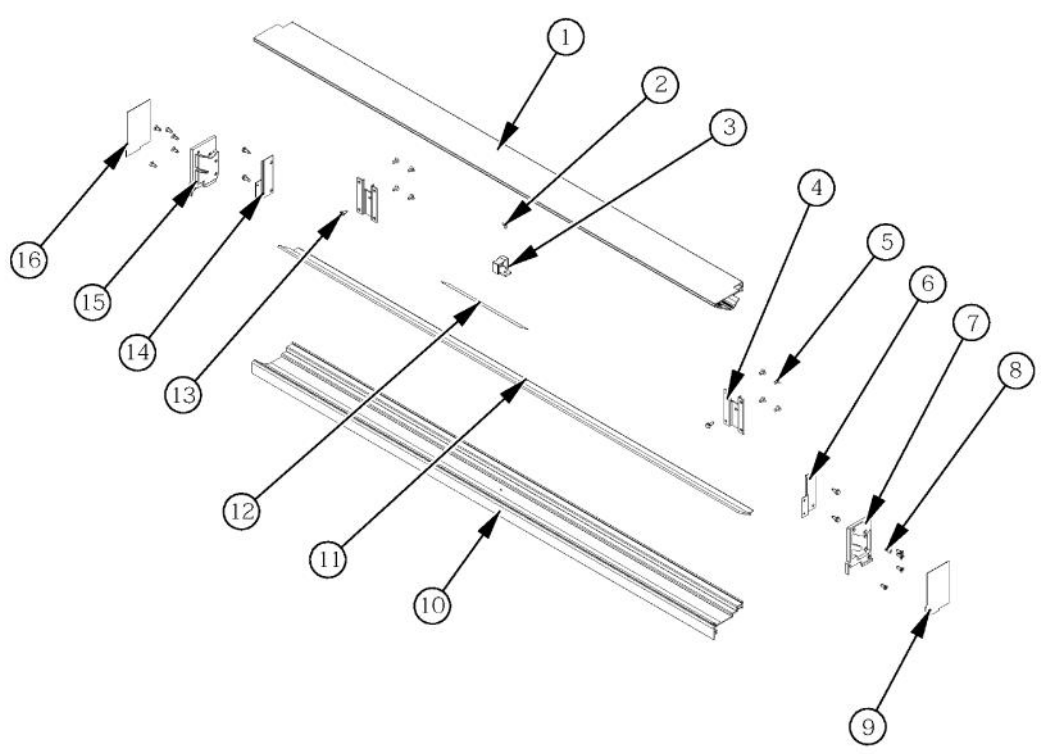
Ref #	Part Number	Qty.	Description
1	F2097793	1	TUBE FORMED HT EXCH
2	PB910259	1	THERMOSTAT DEFROST TERMINATOR
3	A3189370	3	GASKET-FOAM VA3189370
4	PD020194	26	SCREW-SM
5	K2096461	2	BRKT-EVAP COVER 12234801
6	K2096456	2	BRKT-EVAP CLIP 12215101
7	10629001	2	BLOCK-R AIR COIL RED
8	10527401	2	CLIP-EVAP
9	PM910206	1	EVAPORATOR SXS 48
10	PJ910031	1	HEATER EVAP SXS
11	10428101	2	CLIP-EVAP HTR V10428101
12	10623003	2	CLIP-EVAP
13	C8983701	1	THERMISTOR
14	M0211014	1	SCREW-SM
15	L20910054	1	COVER LOWER EVAP
16	L20910057	1	COVER CENTER EVAP
17	L2098028	1	COVER EVAP MOTOR
18	K2096458	1	BRKT-L-EVAP-FAN 12223102
19	K2096457	1	BRKT-R-EVAP FAN 12223101
20	G5098660	1	FAN EVAP ASM
21	M0238859	4	SCREW-SHLDR
22	L20910075	1	COVER EVAP FAN
23	L20914114	1	FAN COVER
24	L20914115	1	FAN BRACKET
25	C90910058	1	UPPER EVAPORATOR COVER
26	PB92020	1	EXT FILL TUBE
27	PK030436	1	FILL TUBE
28	10276601	1	ELBOW-FILLER TUBE



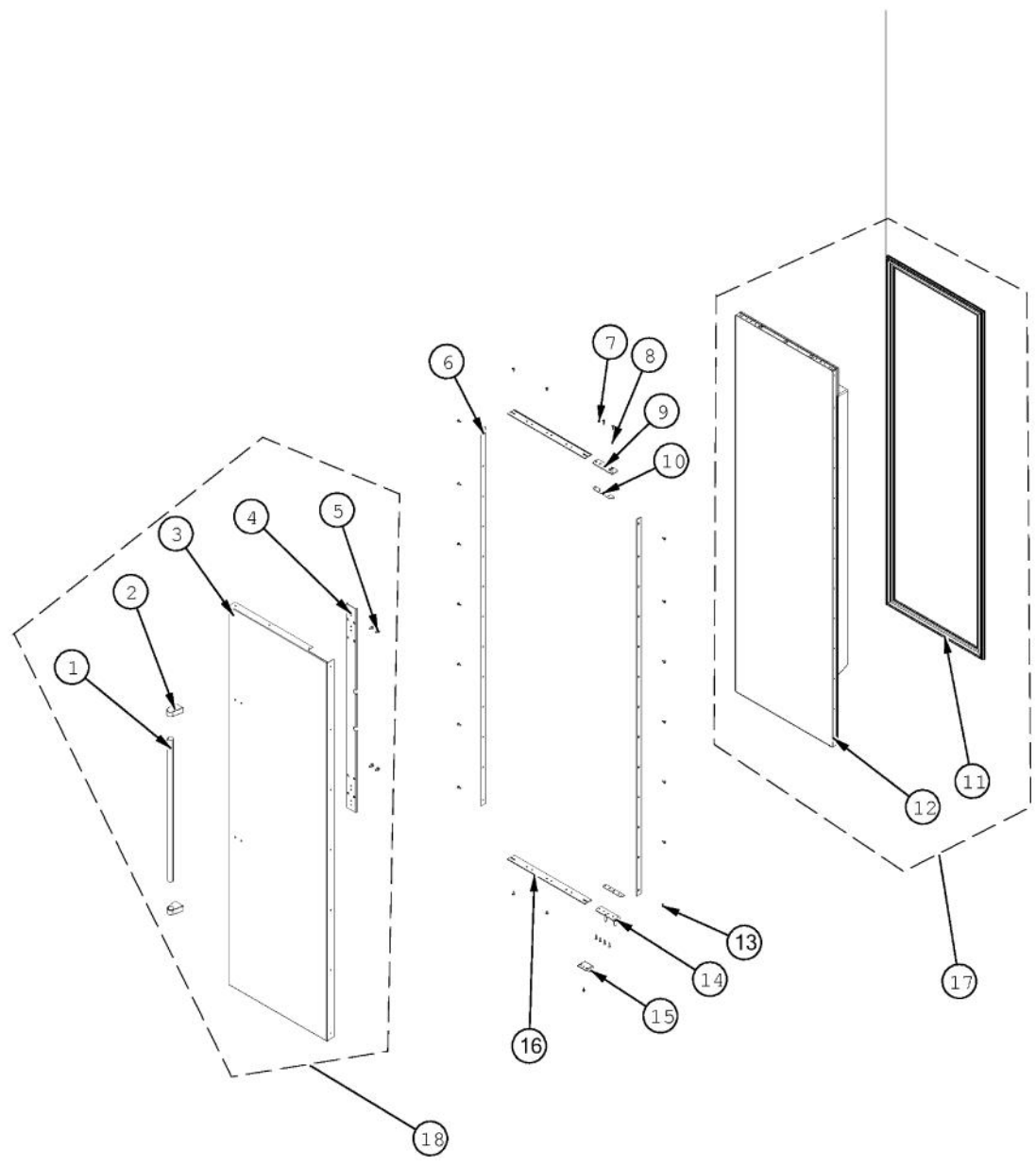
Ref #	Part Number	Qty.	Description
1	F20915693	1	SERPENTINE CONDENSER DRAIN ALL SXS'S
2	PD030146	14	STAND OFF LOCK CLIP
3	PK930348	1	PAN DRAIN
4	PE070707	1	PAN HEATER
5	L20914124	1	TRAY PAN HEATER
6	PA030019	1	FILTER/COIL TUBE ASM
7	PE970590	1	HARNESS JUMPER LOWER
8	M0104102	3	CLIP-CORD RED
9	G32914174	1	BRKT & VALVE J.G. INLET ASM
10	PB020303	1	PLASTIC TUBING-IM WATERLINE SXS DISP
11	G32915704	1	BRKT AND VALVE SINGLE ASM DISP
12	PB020294	1	TUBE ASM-DOOR TO VALVE
13	A4554806	2	BUSHING-SNAP VA4554806
14	PD940091	2	BUSHING - DOOR STOP
15	PC920145	2	PIN - DOOR STOP
16	PD940090	2	BUSHING - WC DOOR LEVEL
17	PC920144	2	PLATE - WC DOOR SHIM
18	PC920215	1	HINGE PLATE SXS LR
19	000570-000	8	HEX SCREW
21	PC920166	1	BAR-WC BOT HINGE RH
22	M0221523	2	SCREW - SHLDR
23	003867-000	1	SPRING EXTENSION
24	PM910398	1	LEVELER ASSEMBLY - R
25	K2098044	1	BRKT GRILLE SUPPORT
26	PD020194	20	SCREW-SM
27	014334-000	2	BRACKET,LT,SWITCH
28	M0104106	2	CLIP-CORD VM0104106
29	PE950147	1	SWITCH SPST NC BLACK
30	M0220417	8	SCREW-TC
31	M0217204	2	SCREW, SM
32	014808-000	1	RELAY,WATER VALVE
33	PB020301	1	STEM ELBOW 1/4
34	PD020274	2	SCR SLTD HEX WSHR HD 8X1.250 BT
35	000731-000	1	AXIAL FAN
36	PE050248	1	FLOAT SWITCH HORIZONTAL
37	PD020010	2	10 X 3/8 GREEN GROUNDING SCREW
38	M0253916	1	SCREW-TF
39	B20915627	1	BRACKET HORIZ FLOAT SWITCH
40	PF930654	1	LABEL CONDENSATE FAN SERVICE
41	A4554817	1	BUSHING-SNAP VA4554817
42	K20915952	1	SHIELD BOTTOM DRAIN
43	K20911831	2	BRACKET CONDENSATE SUPPORT
44	PF031267	1	LABEL HEATER PAN
45	PC040010	4	POP RIVET
46	PE950146	1	SWITCH SPDT BLACK
47	PM910399	1	LEVELER MODULE L
48	K2098096	1	BRKT GRILLE SUPPORT
49	PC910015	1	SPRING EXTENSION
50	PD940094	2	BUSHING
51	PC920149	1	BAR-WC BOT HINGE LH
52	PM010602	2	CAM DOOR ADJUSTMENT
53	PD020234	2	SCREW THP 10-32 X .500 SS BO
54	PC020289	1	HINGE PLATE LL
NI	015802-000	1	GRILLE,TOE,ASM,48 SXS



Ref #	Part Number	Qty.	Description
1	PB070355	6	INSULATION MC COVER
2	K2099458	1	MC TOP SXS 42
3	K2099461	1	MC BACK 42
4	PC040010	19	POP RIVET
5	K2099455	1	SUPPORT MC Z
6	PB070360	2	INSULATION MC COVER
7	007341-000	1	INSL, MC, BACK SIDE
8	004614-000	1	MC SIDE R
9	PD020194	40	SCREW-SM
10	A4554806	1	BUSHING-SNAP VA4554806
11	K2099460	1	MC SIDE L

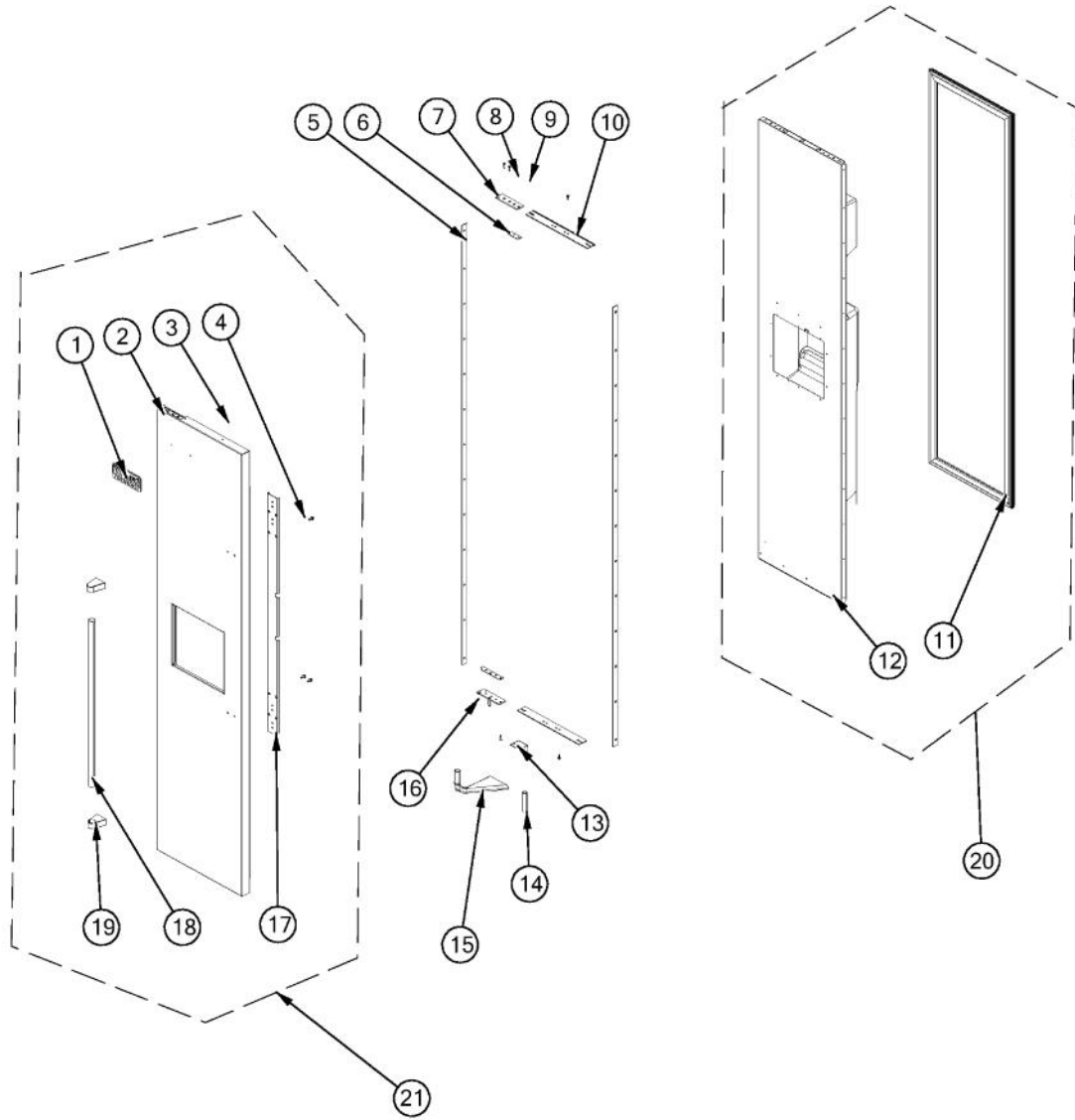


Ref #	Part Number	Qty.	Description
1	016197-000	1	GRILLE UPPER SXS 48 DES
2	M0230028	1	SCREW-TC
3	PM910084	1	SUPPORT GRILLE 12201201
4	PK050004	2	BRACKET GRILLE
5	M0224128	2	SCREW-SM
6	K2099470	1	BRACKET GRILLE SUPPORT R
7	PM910348	1	ENP CAP GRILLE R
8	003004-000	10	8 - 18 X 1/2 ZN/CLR PHIL FLAT TRIM HD NO.5 TYPE AB TAPP...
9	033729-000	1	ENDCAP, GRILLE, R, HINGE
10	016194-000	1	GRILLE LOWER SXS 48 DES
11	PM910365	1	GRILLE CENTER SXS 48 DES
12	PF930523	1	GRILL BLADE LABEL (REFRIGERATOR)
13	PD020194	6	SCREW-SM
14	K2099471	1	BRACKET GRILLE SUPPORT L
15	PM910349	1	END CAP GRILLE L
16	033709-000	1	ENDCAP, GRILLE, L, HINGE
NI	034237-000	1	GRILLE, ASM, 48 SXS, PRO



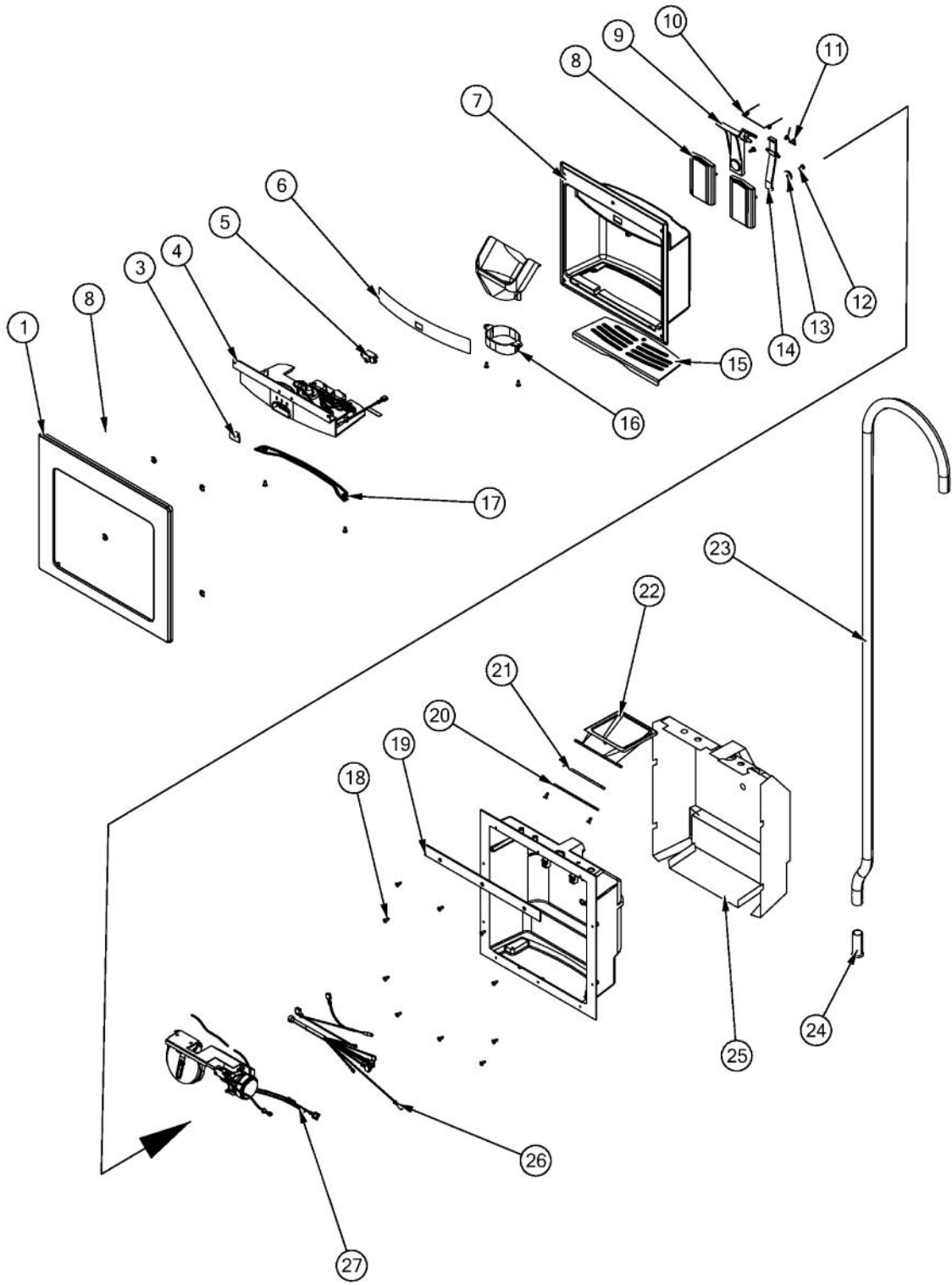
Ref #	Part Number	Qty.	Description
1	012891-000	1	HANDLE,PRO
2	000268-000	2	HANDLE END CAP ASSY
2	000268-100	2	HANDLE ENDCAP BRASS
3	036432-000	1	SKIN, DOOR, SXS 48 PROI FF SS
3	036447-002	1	SKIN, DOOR, SXS 48 PROI FF, BK
3	036447-003	1	SKIN, DOOR, SXS 48 PROI FF BT
3	036447-004	1	SKIN, DOOR, SXS 48 PROI FF SG
3	036447-005	1	SKIN, DOOR, SXS 48 PROI FF GG
3	036447-006	1	SKIN, DOOR, SXS 48 PROI FF, WH
3	036447-008	1	SKIN, DOOR, SXS 48 PROI FF BU
3	036447-009	1	SKIN, DOOR, SXS 48 PROI FF LE
3	036447-010	1	SKIN, DOOR, SXS 48 PROI FF MJ
3	036447-012	1	SKIN, DOOR, SXS 48 PROI FF VB
3	036447-013	1	SKIN, DOOR, SXS 48 PROI FF CB
3	036447-015	1	SKIN, DOOR, SXS 48 PROI FF PL
3	036447-016	1	SKIN, DOOR, SXS 48 PROI FF CH
3	036447-017	1	SKIN, DOOR, SXS 48 PROI FF TP
3	036447-018	1	SKIN, DOOR, SXS 48 PROI FF CW
3	036447-021	1	SKIN, DOOR, SXS 48 PROI FF SA
3	036447-022	1	SKIN, DOOR, SXS 48 PROI FF SE
3	036447-023	1	SKIN, DOOR, SXS 48 PROI FF IB
3	036447-024	1	SKIN, DOOR, SXS 48 PROI FF AR
3	036447-025	1	SKIN, DOOR, SXS 48 PROI FF RR
3	036447-051	1	SKIN, DOOR, SXS 48 PROI FF CN
3	036447-052	1	SKIN, DOOR, SXS 48 PROI FF DJ
3	036447-053	1	SKIN, DOOR, SXS 48 PROI FF KB
3	036447-054	1	SKIN, DOOR, SXS 48 PROI FF WS
4	013328-000	1	BRKT,HANDLE,SUPPORT,PRO
5	M0204303	4	SCREW-MACH
6	014581-000	2	SPACER,TRIM,SXS,AF,AR
7	PD920174	8	10-32 TORX HEAD SCREW
8	PD020234	1	SCREW THP 10-32 X .500 SS BO
9	PC020278	1	PIVOT PL ASM RH UP PRO/DES
10	PD040162	2	SPACER-DOOR HINGE
11	005454-000	1	GASKET, ASM, 48,SXS, FF
12	007047-000	1	DOOR FOAM ASM SXS 48 FF
13	M0210458	14	SCREW-SM
14	016181-000	1	PIVOT PL ASM RH LW PRO/DES
15	PD050019	1	STRIKER DOOR SWITCH
16	PK030559	2	TRIM DOOR BULLNOSE 48 FF TOP/BOT
17	007070-000	1	DOOR ASM 48/48D FF
18	010626-000	1	SKIN,ASM,SXS 48 PROI FF SS
18	009586-002	1	SKIN, ASM, SXS 48 PROI FF BK
18	009586-003	1	SKIN, ASM, SXS 48 PROI FF BT
18	009586-004	1	SKIN, ASM, SXS 48 PROI FF SG
18	009586-005	1	SKIN, ASM, SXS 48 PROI FF GG
18	009586-008	1	SKIN, ASM, SXS 48 PROI FF BU
18	009586-009	1	SKIN, ASM, SXS 48 PROI FF LE
18	009586-010	1	SKIN, ASM, SXS 48 PROI FF MJ
18	009586-012	1	SKIN, ASM, SXS 48 PROI FF VB
18	009586-013	1	SKIN, ASM, SXS 48 PROI FF CB
18	009586-015	1	SKIN, ASM, SXS 48 PROI FF PL
18	009586-016	1	SKIN, ASM, SXS 48 PROI FF CH
18	009586-017	1	SKIN, ASM, SXS 48 PROI FF TP
18	009586-018	1	SKIN, ASM, SXS 48 PROI FF CW
18	009586-021	1	SKIN, ASM, SXS 48 PROI FF SA
18	009586-022	1	SKIN, ASM, SXS 48 PROI FF SE
18	009586-023	1	SKIN, ASM, SXS 48 PROI FF IB
18	009586-024	1	SKIN, ASM, SXS 48 PROI FF AR
18	009586-025	1	SKIN, ASM, SXS 48 PROI FF RR

Ref #	Part Number	Qty.	Description
18	009586-025	1	SKIN, ASM, SXS 48 PROI FF RR
18	009586-051	1	SKIN ASM, SXS 48 PROI FF CN
18	009586-052	1	SKIN ASM, SXS 48 PROI FF DJ
18	009586-053	1	SKIN ASM, SXS 48 PROI FF KB
18	009586-054	1	SKIN ASM, SXS 48 PROI FF WS
18	010626-100	1	SKIN, ASM, SXS 48 FF PROI SS BRASS
18	009586-102	1	SKIN, ASM, SXS 48 PROI FF BK/BR
18	009586-103	1	SKIN, ASM, SXS 48 PROI FF BT/BR
18	009586-104	1	SKIN, ASM, SXS 48 PROI FF SG/BR
18	009586-105	1	SKIN, ASM, SXS 48 PROI FF GG/BR
18	009586-108	1	SKIN, ASM, SXS 48 PROI FF BU/BR
18	009586-109	1	SKIN, ASM, SXS 48 PROI FF LE/BR
18	009586-110	1	SKIN, ASM, SXS 48 PROI FF MJ/BR
18	009586-112	1	SKIN, ASM, SXS 48 PROI FF VB/BR
18	009586-113	1	SKIN, ASM, SXS 48 PROI FF CB/BR
18	009586-115	1	SKIN, ASM, SXS 48 PROI FF PL/BR
18	009586-116	1	SKIN, ASM, SXS 48 PROI FF CH/BR
18	009586-117	1	SKIN, ASM, SXS 48 PROI FF TP/BR
18	009586-118	1	SKIN, ASM, SXS 48 PROI FF CW/BR
18	009586-121	1	SKIN, ASM, SXS 48 PROI FF SA/BR
18	009586-122	1	SKIN, ASM, SXS 48 PROI FF SE/BR
18	009586-123	1	SKIN, ASM, SXS 48 PROI FF IB/BR
18	009586-124	1	SKIN, ASM, SXS 48 PROI FF AR/BR
18	009586-125	1	SKIN, ASM, SXS 48 PROI FF RR/BR
18	009586-151	1	SKIN ASM, SXS 48 PROI FF CN/BR
18	009586-152	1	SKIN ASM, SXS 48 PROI FF DJ/BR
18	009586-153	1	SKIN ASM, SXS 48 PROI FF KB/BR
18	009586-154	1	SKIN ASM, SXS 48 PROI FF WS/BR

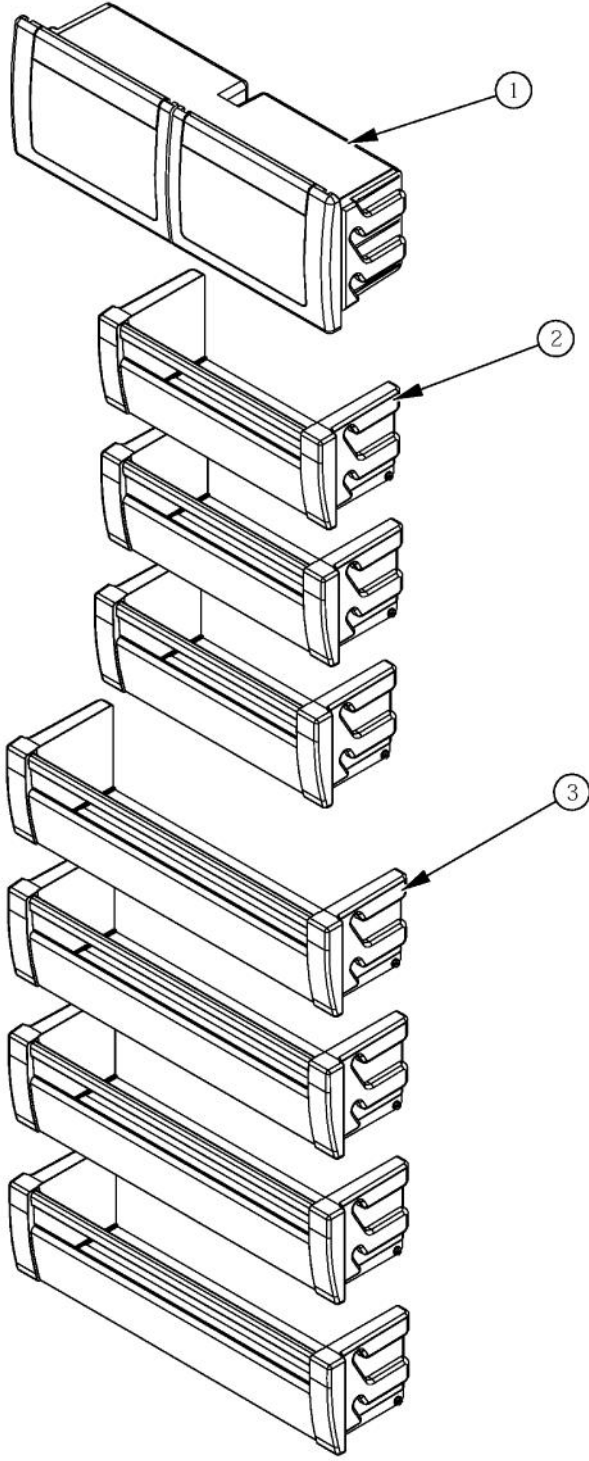


Ref #	Part Number	Qty.	Description
1	PE010030	1	LOGO, 6, PRO, BK
1	PE010068	1	LOGO, 6, PRO, BK/BR
2	037445-000	1	SKIN, DOOR, SXS 48D PRO I FZ SXS
2	037495-006	1	SKIN, DOOR, SXS 48D PROI FZ, WH
3	PD030006	2	CAPPED WASHER PAL NUT
4	M0204303	4	SCREW-MACH
5	014581-000	2	SPACER, TRIM, SXS, AF, AR
6	PD040162	2	SPACER-DOOR HINGE
7	033780-000	1	PIVOT PLATE ASM LH UP PRO DES SXS, AFAR
8	PD920174	8	10-32 TORX HEAD SCREW
9	M0210458	5	SCREW-SM
10	PK030558	2	TRIM DOOR BULLNOSE 42 FZ TOP/BOT
11	005456-000	1	GASKET, ASM, 48, SXS, FZ DISP
12	007052-000	1	DOOR FOAM ASM SXS 48D FZ
13	PD050019	1	STRIKER DOOR SWITCH
14	PB020301	1	STEM ELBOW 1/4
15	PK930297	1	ELBOW CHASE SXS DISP
16	016182-000	1	PIVOT PL ASM LH LW PRO/DES
17	013328-000	1	BRKT, HANDLE, SUPPORT, PRO
18	012891-000	1	HANDLE, PRO
19	000268-000	2	HANDLE END CAP ASSY
19	000268-100	2	HANDLE ENDCAP BRASS
20	007078-000	1	DOOR ASM 48D FZ
21	010652-000	1	DOOR, SKIN, ASM, SXS 48D FZ PROI SS
21	009728-002	1	DOOR, ASM, SXS 48D PROI FZ BK
21	009728-003	1	DOOR, ASM, SXS 48D PROI FZ BT
21	009728-004	1	DOOR, ASM, SXS 48D PROI FZ SG
21	009728-005	1	DOOR, ASM, SXS 48D PROI FZ GG
21	009728-008	1	DOOR, ASM, SXS 48D PROI FZ BU
21	009728-009	1	DOOR, ASM, SXS 48D PROI FZ LE
21	009728-010	1	DOOR, ASM, SXS 48D PROI FZ MJ
21	009728-012	1	DOOR, ASM, SXS 48D PROI FZ VB
21	009728-013	1	DOOR, ASM, SXS 48D PROI FZ CB
21	009728-015	1	DOOR, ASM, SXS 48D PROI FZ PL
21	009728-016	1	DOOR, ASM, SXS 48D PROI FZ CH
21	009728-017	1	DOOR, ASM, SXS 48D PROI FZ TP
21	009728-018	1	DOOR, ASM, SXS 48D PROI FZ CW
21	009728-021	1	DOOR, ASM, SXS 48D PROI FZ SA
21	009728-022	1	DOOR, ASM, SXS 48D PROI FZ SE
21	009728-023	1	DOOR, ASM, SXS 48D PROI FZ IB
21	009728-024	1	DOOR, ASM, SXS 48D PROI FZ AR
21	009728-025	1	DOOR, ASM, SXS 48D PROI FZ RR
21	009728-102	1	DOOR, ASM, SXS 48D PROI FZ BK/BR
21	009728-103	1	DOOR, ASM, SXS 48D PROI FZ BT/BR
21	009728-104	1	DOOR, ASM, SXS 48D PROI FZ SG/BR
21	009728-105	1	DOOR, ASM, SXS 48D PROI FZ GG/BR
21	009728-108	1	DOOR, ASM, SXS 48D PROI FZ BU/BR
21	009728-109	1	DOOR, ASM, SXS 48D PROI FZ LE/BR
21	009728-110	1	DOOR, ASM, SXS 48D PROI FZ MJ/BR
21	009728-112	1	DOOR, ASM, SXS 48D PROI FZ VB/BR
21	009728-113	1	DOOR, ASM, SXS 48D PROI FZ CB/BR
21	009728-115	1	DOOR, ASM, SXS 48D PROI FZ PL/BR
21	009728-116	1	DOOR, ASM, SXS 48D PROI FZ CH/BR
21	009728-117	1	DOOR, ASM, SXS 48D PROI FZ TP/BR
21	009728-118	1	DOOR, ASM, SXS 48D PROI FZ CW/BR
21	009728-121	1	DOOR, ASM, SXS 48D PROI FZ SA/BR
21	009728-122	1	DOOR, ASM, SXS 48D PROI FZ SE/BR
21	009728-123	1	DOOR, ASM, SXS 48D PROI FZ IB/BR
21	009728-124	1	DOOR, ASM, SXS 48D PROI FZ AR/BR
21	009728-125	1	DOOR, ASM, SXS 48D PROI FZ RR/BR

Ref #	Part Number	Qty.	Description
21	009728-125	1	DOOR, ASM, SXS 48D PROI FZ RR/BR



Ref #	Part Number	Qty.	Description
1	009435-000	1	BEZEL, OVERLAY
2	014845-000	5	RETAINER CLIP,BEZEL OVERLAY
3	013685-000	1	CAP, SWITCH
4	PE070755	1	DISPENSER CAVITY ASSEMBLY
5	PE950152	1	SWITCH SLIDE
6	PB910281	1	INSERT FACADE SXS DISPENSER
7	015162-000	1	BEZEL, PROI, I/W DISPENSER
8	009631-000	2	PAD ACTUATOR
9	PK030470	1	ARM ICE ACTUATOR
10	PC010022	1	SPRING RETURN ICE ACTUATOR
11	B8385402	1	SPRING-RETURN
12	M0210443	2	SCREW-E SM
13	M0270546	2	WASHER
14	PK930404	1	ARM WATER ACTUATOR
15	013682-000	1	TRAY, SPILL, PROI, I/W DISPENSER 42D&48D
16	013684-000	1	SHROUD, I/W DISPENSER
17	013686-000	1	STOP, E FACADE
18	M0215318	4	SCREW-SM
19	PK930374	1	SHIM
20	PK930401	1	DEFLECTOR-ICE
21	12193801	1	GASKET - ICE DR
22	V12348201	1	CHUTE ICE
23	PK930410	1	CHASE WATERLINE
24	PK930293	1	ADAPTER CABLE/WATERLINE BOTTOM SXS DISP
25	PE970484	1	HEATER CAVITY
26	PE070751	1	HARNESS JUMPER DISP CAVITY
27	G50914150	1	ICE DISPENSER MODULE ASM



Ref #	Part Number	Qty.	Description
1	V12203602	1	DAIRY MODULE ASM
2	G5098676	3	DOORBIN ASM SXS 42 & 48 FZ
3	G5099291	4	DOOR BIN ASM SXS 48 FF AND 30 AR
NI	019244-000	1	ACCESSORY, ASM

*No Image  
Available*

Ref #	Part Number	Qty.	Description
NI	043051-000	1	DISPENSER HARNESS KIT FOR TR-0076-SP BULLETIN
NI	PE970598	1	HARNESS CAB FF SXS
NI	12102501	4	RET-HARNESS
NI	015005-000	1	HARNESS,CAB FZ SXS DISP?
NI	040066-000	1	HARNESS JUMPER LOWER
NI	011059-000	1	HARNESS, JUMPER
NI	015364-000	1	HARNESS WIRING SXS MACHINE
NI	PE970464	1	HARNESS LOW VOLT
NI	015365-000	1	HARNESS HIGH VOLT
NI	PE970609	1	HARNESS CONTROL BOARD
NI	023112-000	1	HARNESS,ICE MAKER
NI	PE970590	1	HARNESS JUMPER LOWER (BEFORE 10/16/12)
NI	040066-000	1	HARNESS JUMPER LOWER (ON OR AFTER 10/16/12)
NI	PE970591	1	HARNESS JUMPER UPPER (BEFORE 10/16/12)
NI	040078-000	1	HARNESS, JUMPER DISP CAVITY (ON OR AFTER 10/16/12)
NI	PE970592	1	HARNESS MAIN (BEFORE 10/16/12)
NI	040085-000	1	HARNESS, MAIN (ON OR AFTER 10/16/12)
NI	048806-000	1	DISPENSER WIRE SHIELD