

This Owner's Manual is provided and hosted by [Appliance Factory Parts](#).



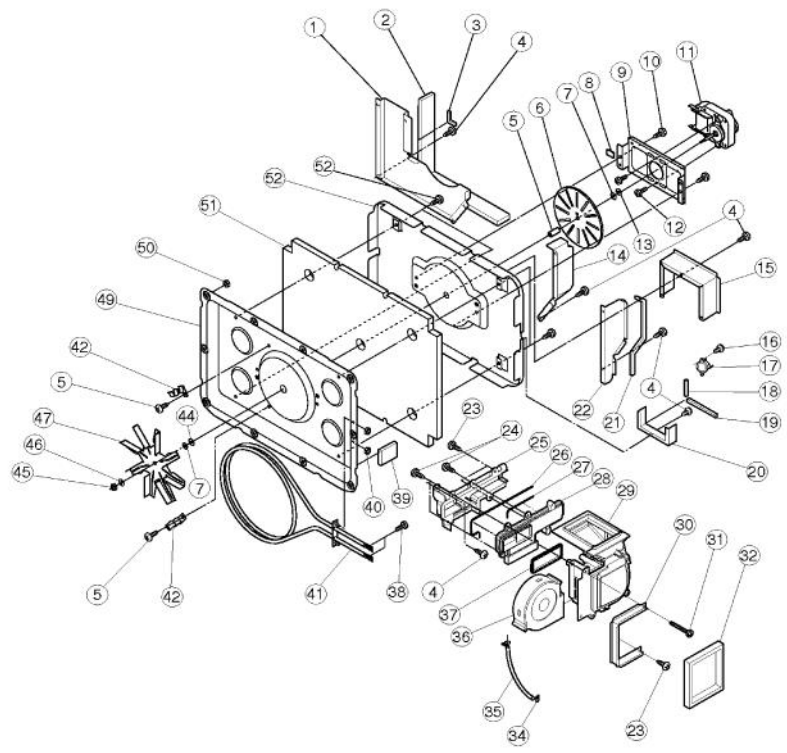
# VIKING VCSO210 Owner's Manual

[Shop genuine replacement parts for VIKING VCSO210](#)

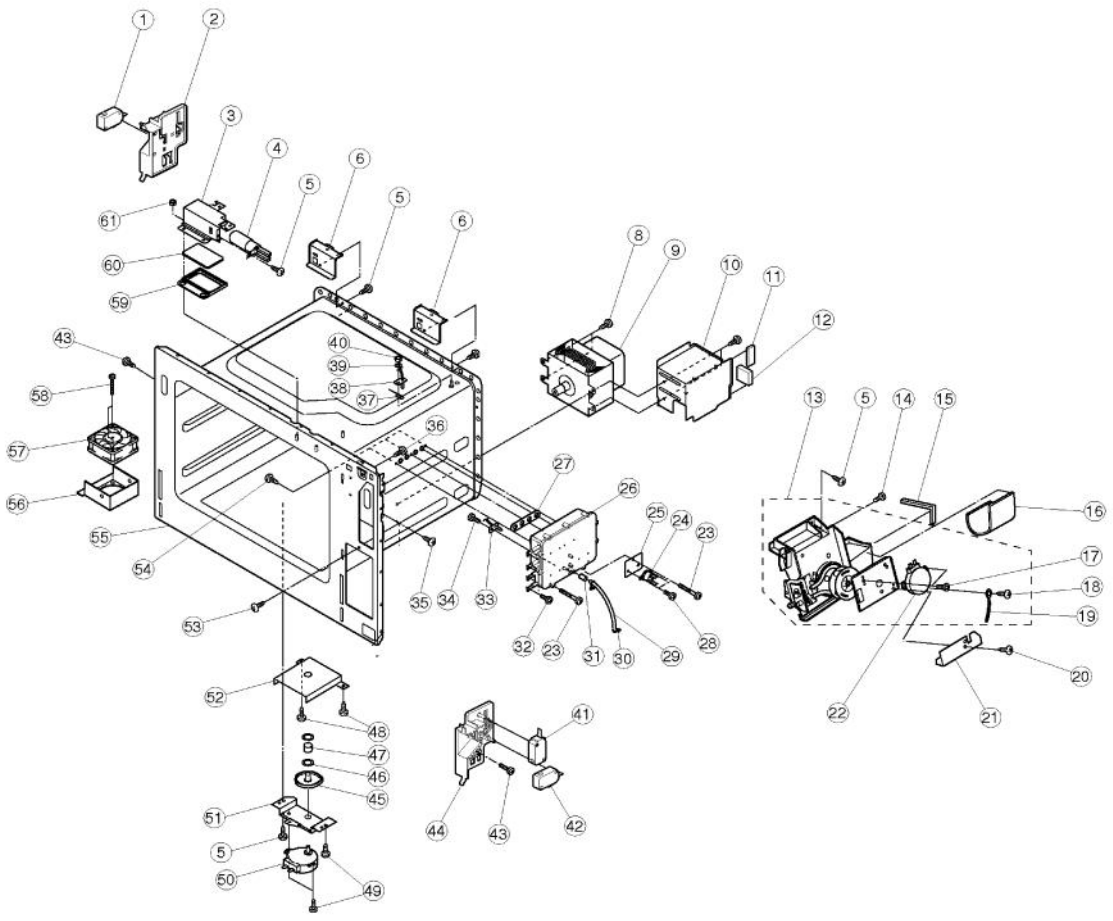


[Find Your VIKING Grill Parts - Select From 210 Models](#)

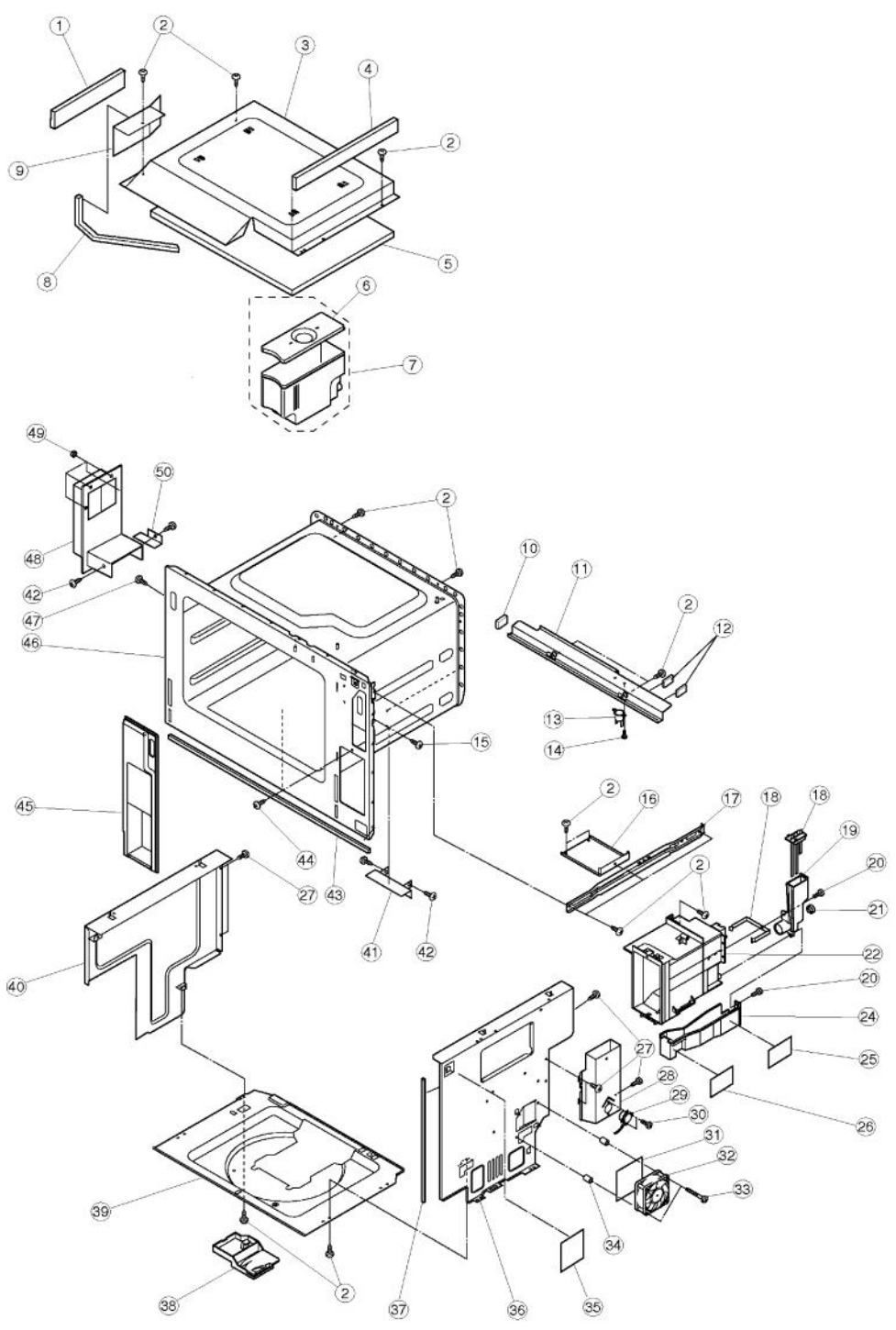
----- Manual continues below -----



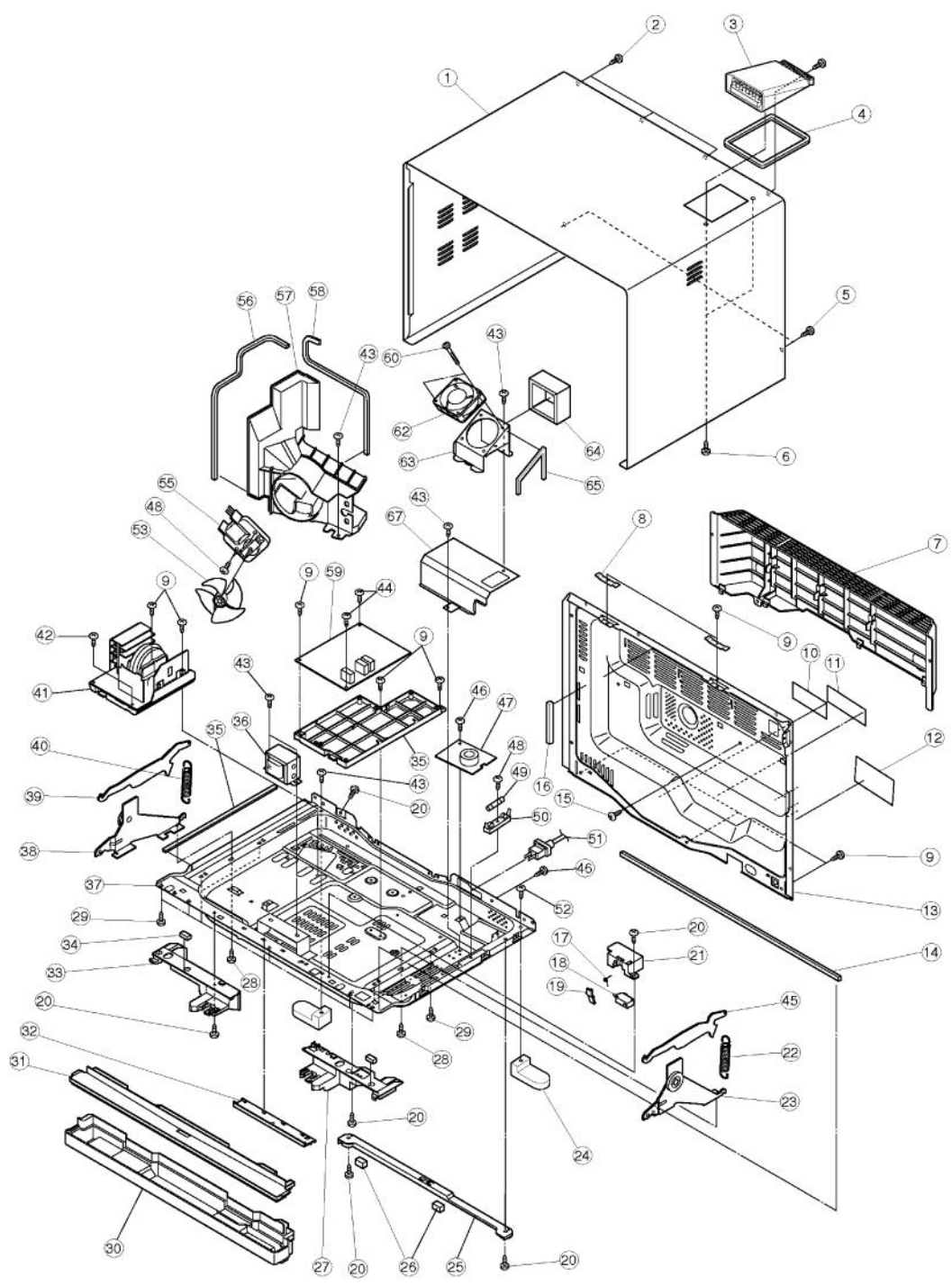
Ref #	Part Number	Qty.	Description
1	036959-000	1	CONV. COVER ANGLE C
2	036960-000	1	CUSHION
3	036961-000	1	CUSHION
4	PM120159	1	SCREW
5	036962-000	1	SPACER
6	036963-000	1	COOLING FAN
7	036964-000	1	WASHER
8	036965-000	1	CUSHION
9	036966-000	1	CONV. MOTOR MOUNTING ANGLE
10	022318-000	2	SCREW : 4 MM X 8 MM
11	036967-000	1	CONVECTION MOTOR
12	036968-000	2	SCREW; 4MM X 6MM
13	036969-000	1	E RING
14	036970-000	1	CONV. COVER ANGLE B
15	036971-000	1	CONV. COVER ANGLE
16	019111-000	1	SCREW
17	036972-000	1	THERMAL CUT OUT (CONVECTION)
18	036973-000	1	CUSHION
19	036974-000	1	CUSHION
20	036978-000	1	DUCT DIVIDE PLATE
21	036975-000	1	CUSHION
22	036980-000	1	CONV. COVER ANGLE A
23	036981-000	2	SCREW ;4MM X 10MM
24	036982-000	2	SCREW; 4MM X 14MM
25	036983-000	1	JOINT DUCT REAR
26	036984-000	1	JOINT DUCT PACKING L
27	036985-000	1	JOINT DUCT PACKING S
28	036986-000	1	JOINT DUCT FRONT
29	036987-000	1	STEAM DUCT SUBASSEMBLY
30	036988-000	1	STEAM DUCT AG
31	036989-000	1	SCREW; 4MM X 40MM
32	036976-000	1	CUSHION
34	036990-000	1	HOSE BAND
35	036991-000	1	DRAIN TUBE
36	036992-000	1	FAN MOTOR
37	036993-000	1	DUCT PACKING
38	005226-000	2	SPECIAL SCREW
39	036977-000	1	CUSION
40	022316-000	2	NUT: 4MM X 3.2MM
41	036994-000	1	CONVECTION HEATER
42	036995-000	2	HEATER MOUNTING
44	036996-000	1	WASHER
45	PM120154	1	NUT, 4MM X 3.2MM
46	PM120157	1	WASHER, 4MM X 0.8MM
47	036997-000	1	FAN BLADE
49	036998-000	1	CONVECTION DUCT
50	028821-000	1	NUT; 4MM X 3.2MM
51	036999-000	1	HEATER INSULATION
52	037000-000	1	CONV COVER
52	037001-000	1	SCREW; 4MM X 6MM
NI	049475-000	1	DESCALING GUIDE



Ref #	Part Number	Qty.	Description
1	PM100019	1	INTERLOCK SWITCH
2	037002-000	1	LATCH HOOK LEFT
3	037003-000	1	LAMP MOUNTING ANGLE
4	PM100065	1	LIGHT BULB
5	PM120159	5	SCREW
6	037030-000	1	REAR ANGLE
8	037031-000	2	SPECIAL SCREW
9	037032-000	1	MAGNETRON
10	037033-000	1	BOTTOM SHIELD PLATE
11	037034-000	1	CUSHION
12	037035-000	1	CUSHION
13	037038-000	1	TUBE PUMP ASSEMBLY
14	028765-000	1	SCREW
15	037036-000	1	CUSION
16	037037-000	1	CUSION
17	005228-000	1	SCREW : 4 MM X 8 MM
18	011866-000	1	SCREW : 4MM X 8MM
19	037039-000	1	WIRE HOLDER
21	037040-000	1	WATER GUUIDE
22	037041-000	1	TURNTABLE MOTOR
23	037042-000	1	SCREW, 4MM X 36MM
24	037043-000	1	THERMAL CUT OUT (ENGINE)
25	037044-000	1	THERMO MOUNT PLATE
26	037045-000	1	ENGINE UNIT ASSEMBLY
27	037046-000	1	ENGINE PACKING B
28	019111-000	1	SCREW
29	037047-000	1	WATER TUBE
30	037048-000	1	HOSE BAND
31	037049-000	1	SUB WATER TUBE
32	005226-000	2	SPECIAL SCREW
33	037050-000	1	THERMISTOR (ENGINE)
34	037051-000	1	SCREW; 4MM X 8MM
35	037052-000	1	SPECIAL SCREW
38	037053-000	1	THERMISTOR (OVEN)
39	037054-000	1	WASHER
41	037055-000	1	MONITOR FUSE (15A) AND MONITOR SWITCH
42	PM100019	1	INTERLOCK SWITCH
43	PM120003	1	SCREW
44	037056-000	1	LATCH HOOK RIGHT
45	037057-000	1	SHAFT ASSEMBLY
46	037058-000	2	WASHER
47	037059-000	1	TT SPRING
48	011898-000	1	SCREW
49	005228-000	2	SCREW : 4 MM X 8 MM
50	037060-000	1	TURNTABLE MOTOR (ANTENNA MOTOR)
51	037061-000	1	TT MOTOR MOUNT ANGLE
52	037062-000	1	INSERTION ANGLE B
53	012006-000	1	SPECIAL SCREW
54	037063-000	1	SPECIAL SCREW
55		1	OVEN CAVITY ASSEMBLY (NOT A REPLACEABLE PART)
56	037064-000	1	FAN MOUNTING ANGLE
57	037065-000	1	FAN MOTOR (BOTTOM VENTILATION)
58	037066-000	2	SCREW; 4MM X 30MM
59	037067-000	1	LAMP PACKING
60	037068-000	1	LAMP GLASS
61	028821-000	1	NUT; 4MM X 3.2MM

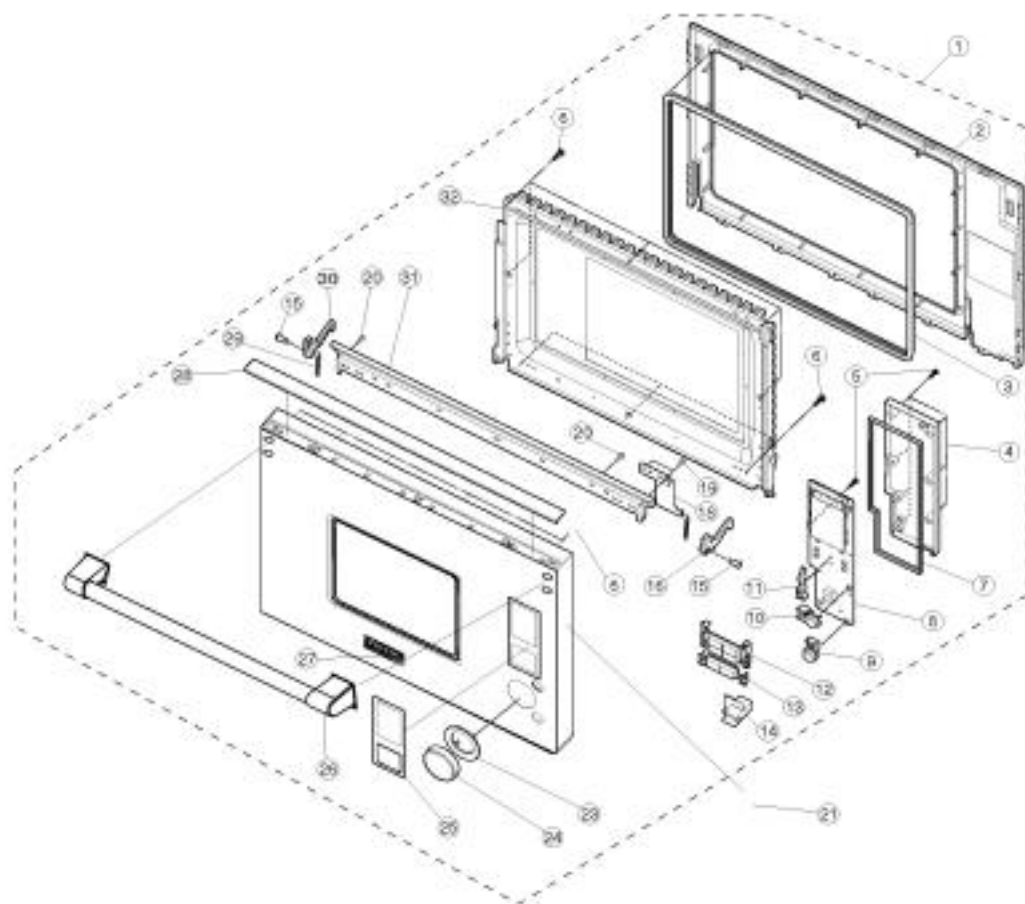


Ref #	Part Number	Qty.	Description
1	037079-000	1	CUSION
2	PM120159	11	SCREW
3	037084-000	1	HEAT COVER UPPER
4	037080-000	1	CUSHION
5	037085-000	1	HEATER INSULATION
6	037086-000	1	TANK LID (RESERVOIR LID)
7	037087-000	1	TANK ASSEMBLY (RESERVOIR)
8	037081-000	1	CUSION
9	037088-000	1	LATCH L REFLECTOR
10	037082-000	1	CUSHION
11	037089-000	1	WATER PROOF ANGLE
12	037083-000	2	CUSHION
13	PM100035	1	MAGNETRON THERMAL CUT-OUT 125C
14	019111-000	1	SCREW
15	037052-000	1	SPECIAL SCREW
16	037091-000	1	OVEN SUPPORT ANGLE
17	037092-000	1	SIDE ANGLE
18	037093-000	1	TANK SPRING
18	037094-000	1	WL JOINT UPPER
19	037095-000	1	WL JOINT
20	037096-000	1	SCREW, 3MM X 10MM
21	037098-000	1	PUMP PACKING
22	037099-000	1	TANK COVER
24	037100-000	1	TANK COVER L
25	037101-000	1	MONITOR CAUTION
26	037102-000	1	MONITOR CAUTION (FRENCH)
27	037103-000	2	SPECIAL SCREW (KNOCK TYPE)
28	037104-000	1	EXHAUST DUCT ASSEMBLY
29	037105-000	1	AH SENSOR
30	037106-000	1	SCREW, 3MM X 6MM
31	037107-000	1	MOTOR REFLECTOR
32	037108-000	1	FAN MOTOR (VENTILATION)
33	037109-000	1	SCREW, 4MM X 40MM
34	037110-000	1	SPACER
35	037111-000	1	AIR GUIDE SHEET R
36	037112-000	1	HEAT COVER R ASSEMBLY
37	037113-000	1	CUSHION
38	037114-000	1	INVERTER SHIELD PLATE
39	037115-000	1	HEAT COVER BOTTOM
40	037116-000	1	HEAT COVER L
41	037117-000	1	INSERTION ANGLE A
42	037118-000	4	SCREW, 4MM X 6MM
43	037119-000	1	CUSHION
44	012006-000	1	SPECIAL SCREW
45	037120-000	1	PANEL R
46		1	OVEN CAVITY ASSEMBLY (NOT A REPLACEABLE PART)
47	PM120003	1	SCREW
48	037121-000	1	INTAKE DUCT SUBASSEMBLY
49	028821-000	1	NUT; 4MM X 3.2MM
50	037122-000	1	AIR GUIDE SHEET R

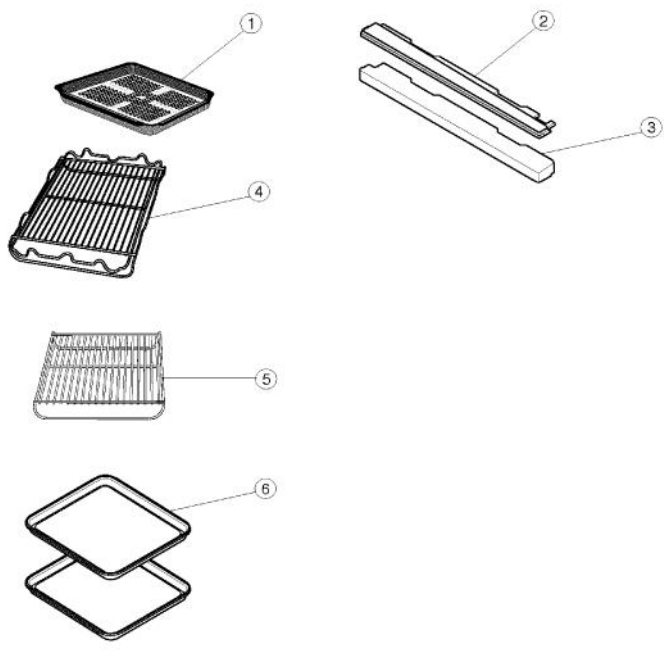


Ref #	Part Number	Qty.	Description
1	037090-000	1	OUTER CASE CABINET
2	037123-000	4	SPECIAL SCREW
3	037124-000	1	STEAM CAP
4	037125-000	1	STEAM DUCT PACKING
5	037126-000	1	SPECIAL SCREW
6	037127-000	1	SCREW, 4MM X 6MM
7	037128-000	1	EXHAUST COVER
8	037129-000	1	CUSHION
9	PM120159	5	SCREW
10	037131-000	1	CAUTION LABEL
11	037132-000	1	CAUTION LABEL
12	037133-000	1	CAUTION LABEL
13	037134-000	1	BACK PLATE ASSEMBLY
14	037135-000	1	CUSHION
15	037136-000	1	SCREW, 4MM X 10MM
16	037137-000	1	CUSHION
17	037138-000	1	DEW TRAY SPRING
18	037139-000	1	DEW TRAY SWITCH
19	037140-000	1	LEVER
20	PM120142	6	SCREW, 4MM X 10MM
21	037141-000	1	DEW TRAY SW ANGLE
22	037142-000	1	DOOR SPRING-R
23	037143-000	1	RIGHT HINGE ASSEMBLY
24	037144-000	2	SIDE SPACER
25	037145-000	1	BACK SHADE GUIDE
26	037146-000	1	STOPPER
27	037147-000	1	DEW TRAY GUIDE R
28	037148-000	1	SCREW, 4MM X 10MM
29	037103-000	1	SPECIAL SCREW (KNOCK TYPE)
30	037152-000	1	DEW TRAY
31	037153-000	1	DEW TRAY COVER
32	037154-000	1	DEW SHEALD
33	037155-000	1	DEW TRAY GUIDE L
34	037156-000	2	DEW TRAY GUIDE CUSHION
35	037157-000	1	PWB HOLDER
35	037158-000	1	BOTTOM CUSION L
36	037159-000	1	TRANSFORMER
37	037160-000	1	BOTTOM PLATE ASSEMBLY
38	037161-000	1	LEFT HINGE ASSEMBLY
39	037162-000	1	L DOOR CAM
40	037163-000	1	DOOR SPRING-L
41	037164-000	1	INVERTER UNIT ASSEMBLY
42	037052-000	1	SPECIAL SCREW
43	011866-000	1	SCREW : 4MM X 8MM
44	037096-000	1	SCREW, 3MM X 10MM
45	037165-000	1	R DOOR CAM
46	005228-000	1	SCREW : 4 MM X 8 MM
47	037166-000	1	NOISE FILTER UNIT
48	037167-000	1	SCREW, 4MM X 20MM
49	037168-000	1	MONITOR FUSE (15A) AND MONITOR SWITCH
50	037169-000	1	FUSE HOLDER
51	PM100029	1	POWER SUPPLY CORD
52	037170-000	1	SCREW, 4MM X 8MM
53	037171-000	1	FAN BLADE
55	037172-000	1	FAN MOTOR
56	037174-000	1	CUSHION
57	037173-000	1	FAN DUCT
58	037175-000	1	CUSHION
59	052359-000	1	COOLING FAN
60	037066-000	1	SCREW; 4MM X 30MM

Ref #	Part Number	Qty.	Description
60	037066-000	1	SCREW; 4MM X 30MM
62	037176-000	1	CONTROL UNIT
63	037178-000	1	MOTOR ANGLE
64	037179-000	1	CUSHION
65	037180-000	1	CUSHION
67	037181-000	6	FILTER COVER



Ref #	Part Number	Qty.	Description
1	037182-000	1	DOOR ASSEMBLY
2	037183-000	1	DOOR COVER
3	037184-000	1	DOOR PACKING
4	037185-000	1	SWITCH PWB COVER
5	037186-000	2	SCREW 3MM X 12MM
6	037187-000	7	TAPPING SCREW (4MM X 10MM)
7	037188-000	1	PWB PACKING
8	037189-000	1	DISPLAY UNIT
9	037190-000	1	INFO BUTTON
10	037191-000	1	ENTER BUTTON
11	037192-000	1	BUTTON SUPPORT
12	037193-000	1	STEAM BUTTON
13	037194-000	1	START BUTTON
14	037195-000	1	WIRE PROTECT COVER
15	037196-000	2	SPECIAL SCREW
16	037197-000	1	LATCH HEAD RIGHT
18	037198-000	1	LATCH SPRING MOUNTING ANGLE RIGHT
19	028765-000	1	SCREW
20	037199-000	2	DOOR HANDLE SCREW
21	PM120021	1	USER CAUTION LABEL
23	037200-000	1	ENCODER BASE
24	037201-000	1	ENCODER BUTTON ASSEMBLY
25	037202-000	1	PANEL DEC RIGHT S
26	037203-000	1	DOOR HANDLE
27	037204-000	1	BADGE
28	037205-000	1	FRAME DEC. UPPER
29	037206-000	2	SPRING
30	037207-000	1	LATCH HEAD LEFT
31	037208-000	1	DOOR SUPPORT ANGLE
32	037209-000	1	DOOR PANEL ASSEMBLY



Ref #	Part Number	Qty.	Description
1	037212-000	1	STEAM TRAY
2	037210-000	1	DEW TRAY COVER
3	037211-000	1	DEW TRAY
4	037214-000	1	RACK 30L
5	037215-000	1	RACK 30L
6	037213-000	2	BASE TRAY 30L
NI	037216-000	1	CONTROL HARNESS
NI	037217-000	1	MAIN HARNESS
NI	037218-000	1	ANTENNA MOTOR HARNESS
NI	037219-000	1	HIGH VOLTAGE HARNESS
NI	005200-000	1	PURSE LOCK L
NI	022295-000	1	PURSE LOCK L