

This Owner's Manual is provided and hosted by [Appliance Factory Parts](#).



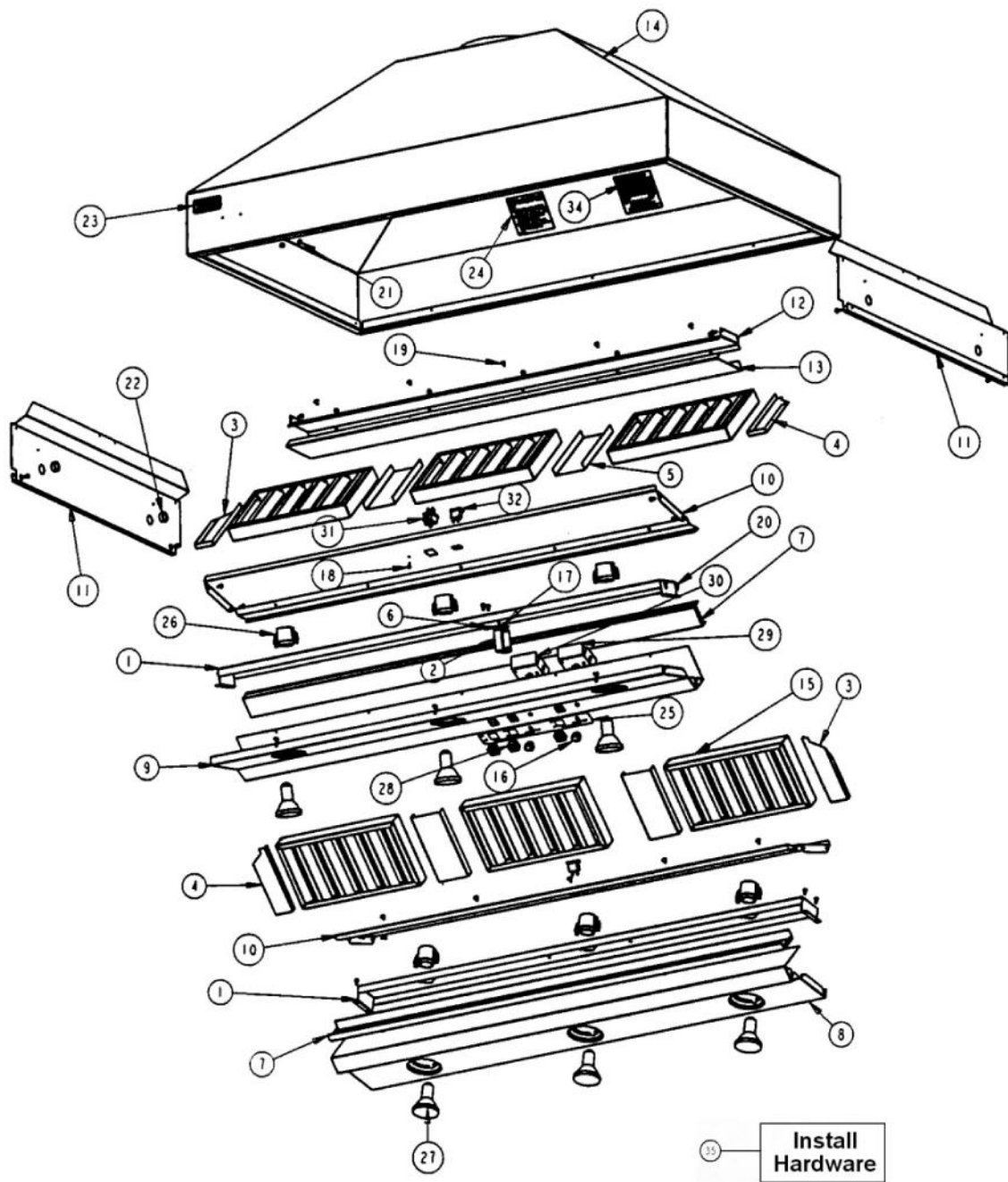
VIKING VCIH5408 Owner's Manual

[Shop genuine replacement parts for VIKING VCIH5408](#)

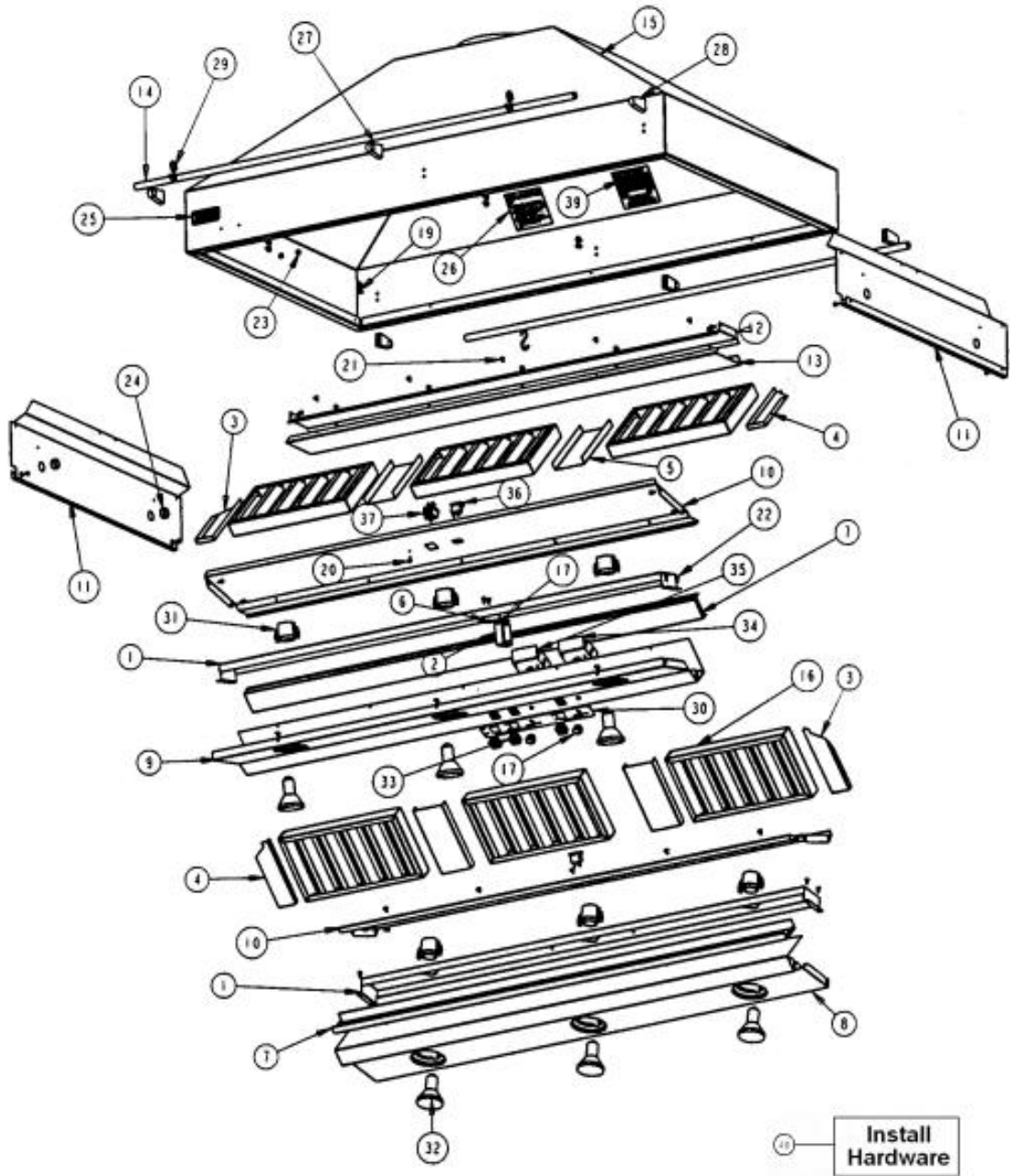


[Find Your VIKING Range Hoods Parts - Select From 411 Models](#)

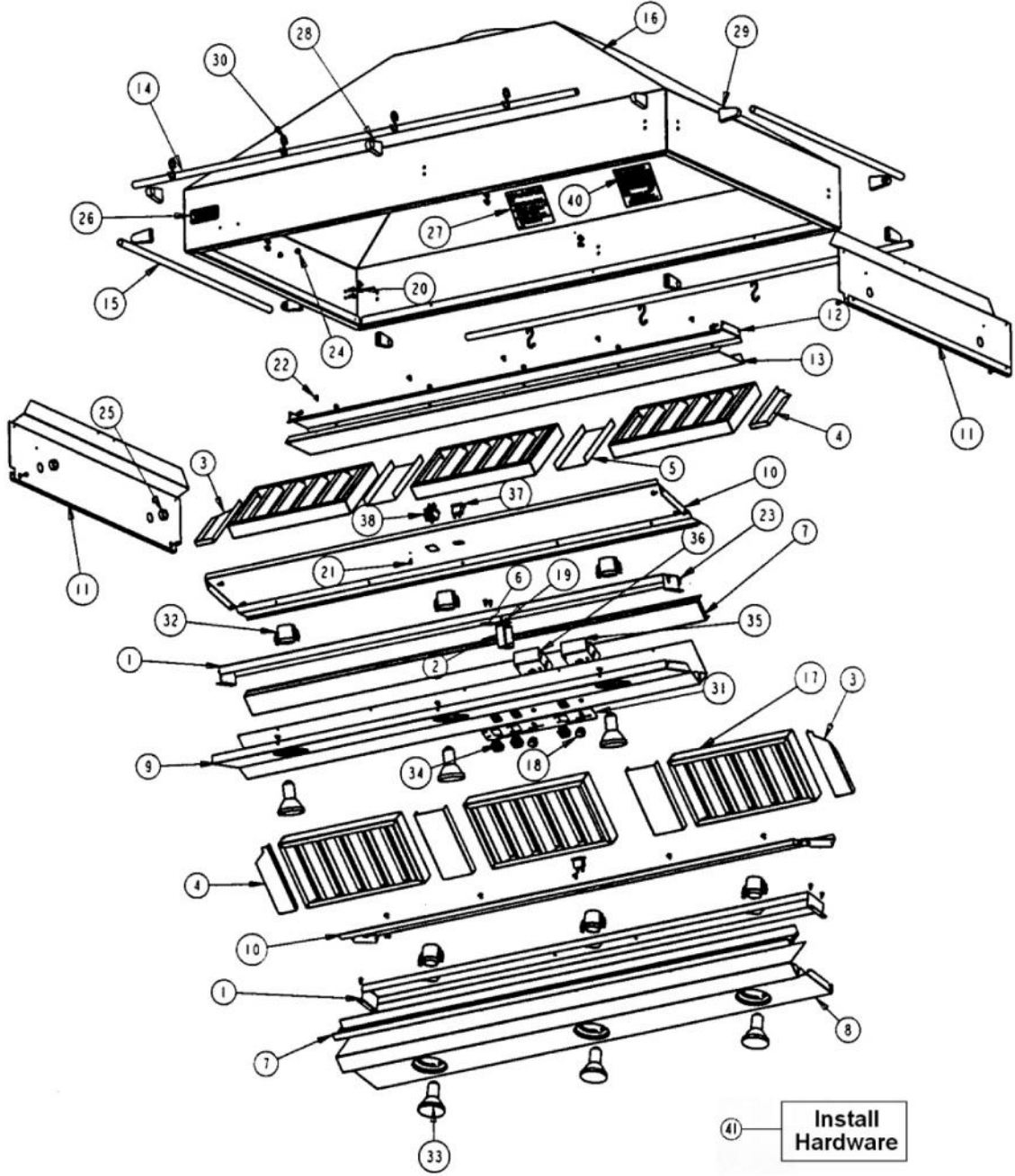
----- Manual continues below -----



| Ref # | Part Number | Qty. | Description |
|-------|-----------------|------|--|
| 1 | A2004097 | | LIGHT SUPT (VIH54) |
| 2 | A2103810 | | THERMODISC BRACKET |
| 3 | B20011035 | | RH FILTER SPACER VICV54 |
| 4 | B20011036 | | LH FILTER SPACER VICV54 |
| 5 | B20011040 | | FILTER SPACER VICV54/66 |
| 6 | B2003837 | | HEAT SENSOR BRKT |
| 7 | B2003925 | | GREASE TROUGH (VWH5448/78/VIH54) |
| 8 | B2004073 | | CTRL PAN REAR (VIH5408) |
| 9 | B2004076 | | CTRL PAN FRONT (VIH5408) |
| 10 | B2004078 | | CTRL PAN TOP (VIH5408) |
| 11 | B2009389 | | I/S SIDE (VCIH54/6608) |
| 12 | B2009393 | | FILTER SUPPORT TOP |
| 13 | B2009397 | | FILTER SUPPORT BOTTOM |
| 14 | Not Replaceable | | CANOPY ASSEMBLY |
| 15 | G3103955 | | FILTER ASSEMBLY 13.375 X 7 |
| 16 | PA010071 | | LIGHT/MOTOR CONTROLLER KNOB |
| 17 | PC040010 | | POP RIVET |
| 18 | PD020010 | | 10 X 3/8 GREEN GROUNDING SCREW |
| 19 | PD020032 | | SRW-8(A)X3/8PH.WFR HD 7/16DIAXNICL |
| 20 | PD020087 | | 10 X 1/2 PAN PH. TEK ZINC |
| 21 | PD030006 | | CAPPED WASHER PAL NUT |
| 22 | PD040005 | | SNAP BUSHING - 7/8 |
| 23 | PE010142 | | 3 LOGO XBKXXCHROME |
| 23 | PE010144 | | 3 LOGO XWHXCHROME |
| 23 | PE010143 | | 3 LOGO BK/BR |
| 23 | PE010145 | | LOGO - WH / BR |
| 24 | PE020058 | | RATING LABEL (ADHESIVE) |
| 25 | PE040132 | | CONTROL PANEL W/ GRAPHICS |
| 26 | PE050032 | | LIGHT SOCKET, (571V) |
| 27 | PE050034 | | HALOGEN BULB 50W |
| 28 | PE50048 | | FAN / LIGHT SWITCH |
| 29 | PE050169 | | BLOWER CONTROL (DCH30/36) |
| 30 | PE050170 | | LIGHT CONTROL (VIH54/66 DCH30/36 VCIH54/66) |
| 31 | PE070196 | | FEMALE SOCKET (2 PRONG) |
| 32 | PE070197 | | MALE SOCKET (3 PRONG) |
| 33 | PE070577 | | WIRE HARNESS (VCIH54) |
| 34 | PF030337 | | HOOD WARNING LABEL |
| 35 | PD020009 | | 10 X 1 PH. HD. PAN HD. SMS |
| NI | PD030010 | | INSTALLATION HARDWARE - QTY. 6 NO.10-24 KEPS NUT |
| NI | PD020010 | | INSTALLATION HARDWARE - QTY. 4 10 X 3/8 GREEN GROUNDING SCREW |
| | | | INSTALLATION HARDWARE - QTY. 1 |



| Ref # | Part Number | Qty. | Description |
|-------|-----------------|------|---|
| 1 | A2004097 | | LIGHT SUPT (VIH54) |
| 2 | A2103810 | | THERMODISC BRACKET |
| 3 | B20011035 | | RH FILTER SPACER VICV54 |
| 4 | B20011036 | | LH FILTER SPACER VICV54 |
| 5 | B20011040 | | FILTER SPACER VICV54/66 |
| 6 | B2003837 | | HEAT SENSOR BRKT |
| 7 | B2003925 | | GREASE TROUGH (VWH5448/78/VIH54) |
| 8 | B2004073 | | CTRL PAN REAR (VIH5408) |
| 9 | B2004076 | | CTRL PAN FRONT (VIH5408) |
| 10 | B2004078 | | CTRL PAN TOP (VIH5408) |
| 11 | B2009389 | | I/S SIDE (VCIH54/6608) |
| 12 | B2009393 | | FILTER SUPPORT TOP |
| 13 | B2009397 | | FILTER SUPPORT BOTTOM |
| 14 | F0003871 | | 54 BRASS ACCESSORY RAIL |
| 14 | PE030123 | | 60 FRONT/REAR ACCESS RAILSSX |
| 15 | Not Replaceable | | CANOPY ASSEMBLY |
| 16 | G3103955 | | FILTER ASSEMBLY 13.375 X 7 |
| 17 | PA010071 | | LIGHT/MOTOR CONTROLLER KNOB |
| 18 | PC040010 | | POP RIVET |
| 19 | PD010003 | | 10-24 X 1/2 PH.TR.HD.SERD.M.S. |
| 20 | PD020010 | | 10 X 3/8 GREEN GROUNDING SCREW |
| 21 | PD020032 | | SRW-8(A)X3/8PH.WFR HD 7/16DIAXNICL |
| 22 | PD020087 | | 10 X 1/2 PAN PH. TEK ZINC |
| 23 | PD030006 | | CAPPED WASHER PAL NUT |
| 24 | PD040005 | | SNAP BUSHING - 7/8 |
| 25 | PE010142 | | 3 LOGO XBKXXCHROME |
| 25 | PE010144 | | 3 LOGO XWHXCHROME |
| 25 | PE010143 | | 3 LOGO BK/BR |
| 25 | PE010145 | | LOGO - WH / BR |
| 26 | PE020058 | | RATING LABEL (ADHESIVE) |
| 27 | PE030053 | | MIDDLE RAIL SUPPORT - BR |
| 27 | PE030052 | | SUPPORT TUBE, HOLE THROUGH |
| 28 | PE030055 | | END CAP - BR |
| 28 | PE030054 | | END CAP - SS |
| 29 | PE030077 | | BR `S` HOOKS REPL PV100012BR |
| 29 | PE030076 | | CHROME S HOOKS REPL PV100012SS |
| 30 | PE040132 | | CONTROL PANEL W/ GRAPHICS |
| 31 | PE050032 | | LIGHT SOCKET, (571V) |
| 32 | PE050034 | | HALOGEN BULB 50W |
| 33 | PE050048 | | FAN/LIGHT SWITCH (HOODS) EP0M11J |
| 34 | PE050169 | | BLOWER CONTROL (DCH30/36) |
| 35 | PE050170 | | LIGHT CONTROL (VIH54/66 DCH30/36 VCIH54/66) |
| 36 | PE070196 | | FEMALE SOCKET (2 PRONG) |
| 37 | PE070197 | | MALE SOCKET (3 PRONG) |
| 38 | PE070577 | | WIRE HARNESS (VCIH54) |
| 39 | PF030337 | | HOOD WARNING LABEL |
| 40 | PD020009 | | 10 X 1 PH. HD. PAN HD. SMS |
| | | | INSTALLATION HARDWARE - QTY. 6 |
| NI | PD030010 | | NO.10-24 KEPS NUT |
| | | | INSTALLATION HARDWARE - QTY. 4 |
| NI | PD020010 | | 10 X 3/8 GREEN GROUNDING SCREW |
| | | | INSTALLATION HARDWARE - QTY. 1 |



| Ref # | Part Number | Qty. | Description |
|-------|-----------------|------|---|
| 1 | A2004097 | | LIGHT SUPT (VIH54) |
| 2 | A2103810 | | THERMODISC BRACKET |
| 3 | B20011035 | | RH FILTER SPACER VICV54 |
| 4 | B20011036 | | LH FILTER SPACER VICV54 |
| 5 | B2004099 | | FILTER SPACER (VIH54) 5.261 X 7 |
| 6 | B2003837 | | HEAT SENSOR BRKT |
| 7 | B2003925 | | GREASE TROUGH (VWH5448/78/VIH54) |
| 8 | B2004073 | | CTRL PAN REAR (VIH5408) |
| 9 | B2004076 | | CTRL PAN FRONT (VIH5408) |
| 10 | B2004078 | | CTRL PAN TOP (VIH5408) |
| 11 | B2009389 | | I/S SIDE (VCIH54/6608) |
| 12 | B2009393 | | FILTER SUPPORT TOP |
| 13 | B2009397 | | FILTER SUPPORT BOTTOM |
| 14 | F0003871 | | 54 BRASS ACCESSORY RAIL |
| 14 | PE030123 | | 60 FRONT/REAR ACCESS RAILXSSX |
| 15 | F0003877 | | SIDE RAIL - BRASS |
| 15 | F0003878 | | ISLAND HOOD XSSX SIDE RAIL - CUT TO |
| 16 | Not Replaceable | | CANOPY ASSEMBLY |
| 17 | G3103955 | | FILTER ASSEMBLY 13.375 X 7 |
| 18 | PA010071 | | LIGHT/MOTOR CONTROLLER KNOB |
| 19 | PC040010 | | POP RIVET |
| 20 | PD010003 | | 10-24 X 1/2 PH.TR.HD.SERD.M.S. |
| 21 | PD020010 | | 10 X 3/8 GREEN GROUNDING SCREW |
| 22 | PD020032 | | SRW-8(A)X3/8PH.WFR HD 7/16DIAXNICL |
| 23 | PD020087 | | 10 X 1/2 PAN PH. TEK ZINC |
| 24 | PD030006 | | CAPPED WASHER PAL NUT |
| 25 | PD040005 | | SNAP BUSHING - 7/8 |
| 26 | PE010142 | | 3 LOGO XBKXXCHROME |
| 26 | PE010144 | | 3 LOGO XWHXCHROME |
| 26 | PE010143 | | 3 LOGO BK/BR |
| 26 | PE010145 | | LOGO - WH / BR |
| 27 | PE020058 | | RATING LABEL (ADHESIVE) |
| 28 | PE030053 | | MIDDLE RAIL SUPPORT - BR |
| 28 | PE030052 | | SUPPORT TUBE, HOLE THROUGH |
| 29 | PE030055 | | END CAP - BR |
| 29 | PE030054 | | END CAP - SS |
| 30 | PE030077 | | BR `S` HOOKS REPL PV100012BR |
| 30 | PE030076 | | CHROME S HOOKS REPL PV100012SS |
| 31 | PE040132 | | CONTROL PANEL W/ GRAPHICS |
| 32 | PE050032 | | LIGHT SOCKET, (571V) |
| 33 | PE050034 | | HALOGEN BULB 50W |
| 34 | PE050048 | | FAN/LIGHT SWITCH (HOODS) EP0M11J |
| 35 | PE050169 | | BLOWER CONTROL (DCH30/36) |
| 36 | PE050170 | | LIGHT CONTROL (VIH54/66 DCH30/36 VCIH54/66) |
| 37 | PE070196 | | FEMALE SOCKET (2 PRONG) |
| 38 | PE070197 | | MALE SOCKET (3 PRONG) |
| 39 | PE070577 | | WIRE HARNESS (VCIH54) |
| 40 | PF030337 | | HOOD WARNING LABEL |
| 41 | PD020009 | | 10 X 1 PH. HD. PAN HD. SMS |
| NI | PD030010 | | INSTALLATION HARDWARE - QTY. 6 |
| NI | PD020010 | | NO.10-24 KEPS NUT |
| NI | PD020010 | | INSTALLATION HARDWARE - QTY. 4 |
| NI | PD020010 | | 10 X 3/8 GREEN GROUNDING SCREW |
| NI | PD020010 | | INSTALLATION HARDWARE - QTY. 1 |