

This Owner's Manual is provided and hosted by [Appliance Factory Parts](http://www.appliancefactoryparts.com).



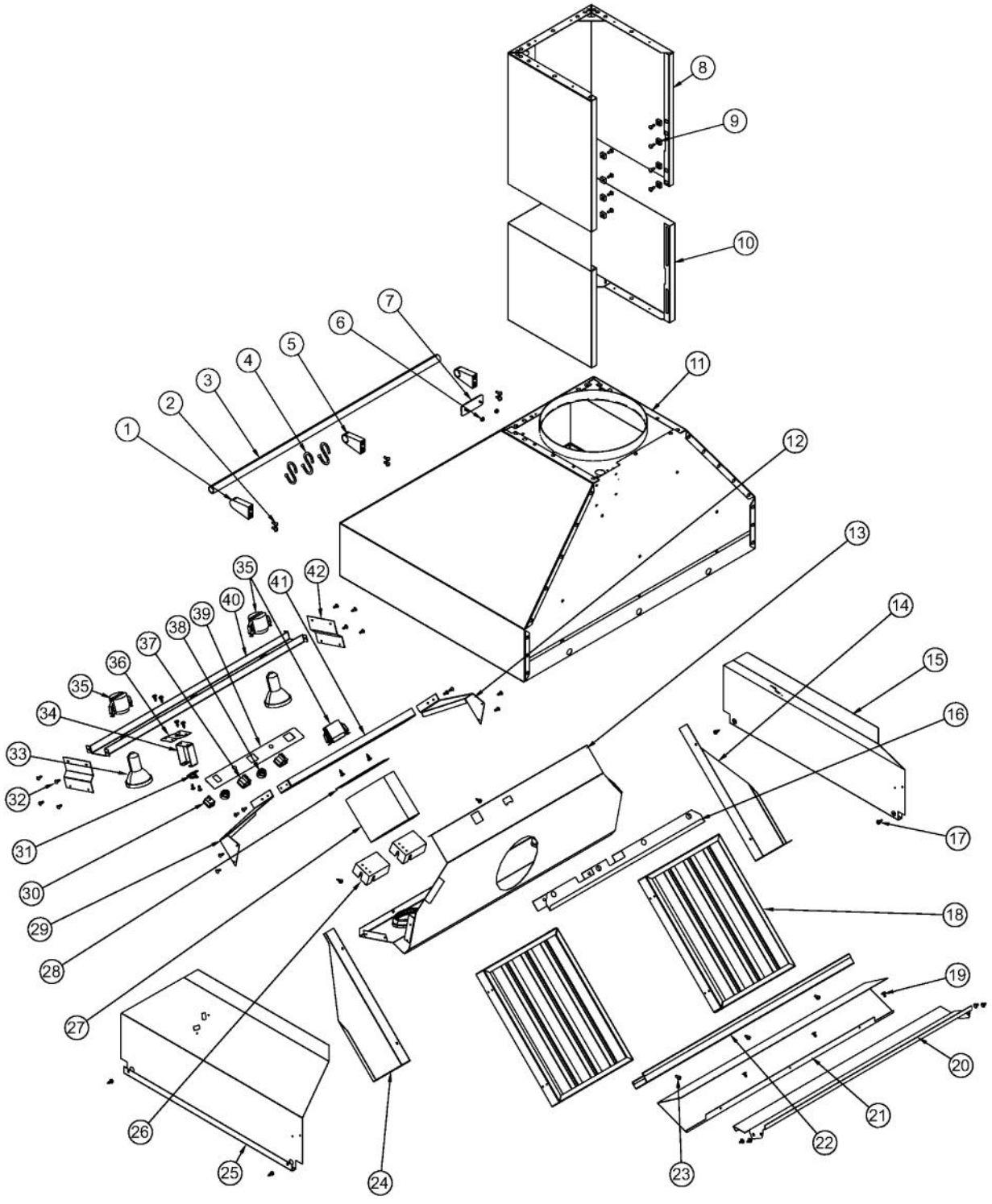
VIKING VCWH3048 Owner's Manual

[Shop genuine replacement parts for VIKING VCWH3048](#)



[Find Your VIKING Range Hoods Parts - Select From 411 Models](#)

----- Manual continues below -----



Ref #	Part Number	Qty.	Description
1	PE030054	2	END CAP - SS
2	PD010003	21	10-24 X 1/2 PH.TR.HD.SERD.M.S.
3	PE030120	1	ACCESSORY RAIL - SS
4	PE030076	3	CHROME S HOOKS REPL PV100012SS
5	PE030052	1	SUPPORT TUBE, HOLE THROUGH
6	PD030006	2	CAPPED WASHER PAL NUT
7	PE010142	1	3 LOGO XBKXXCHROME
8	G3105020SS	1	DUCT CVR TOP ASSY 12X12 DCWH/L36/42
8	G9005020BK	1	DUCT CVR TOP (DCWH/L 3644)XBKX
8	G9005020BT	1	DUCT CVR TOP (DCWH/L 3644)XBTX
8	G9005020SG	1	DUCT CVR TOP (DCWH/L 3644)XSGX
8	G9005020GG	1	DUCT CVR TOP (DCWH/L36/42)XGGX
8	G9005020WH	1	DUCT CVR TOP (DCWH/L 3644) XWHX
8	G9005020BU	1	DUCT CVR TOP ASSY12X12(VCWH30/36/42) XBUX
8	G9005020LE	1	DUCT CVR TOP ASSY12X12(VCWH30/36/42) XLEX
8	G9005020MJ	1	DUCT CVR TOP ASSY12X12(VCWH30/36/42) XMJX
8	G9005020VB	1	DUCT CVR TOP ASSY12X12(VCWH30/36/42) XVBX
8	G9005020CB	1	DUCT CVR TOP ASSY12X12(VCWH30/36/42) XCBX
8	G9005020PL	1	DUCT CVR TOP DCWH/L 3644 PL
8	G9005020CH	1	DUCT CVR TOP DCWH/L 3644 CH
8	G9005020TP	1	DUCT CVR TOP DCWH/L 3644 TP
8	G9005020CW	1	DUCT CVR TOP DCWH/L 3644 CW
8	G9005020OG	1	DUCT CVR TOP DCWH/L 3644 OG
8	G9005020GM	1	DUCT CVR TOP DCWH/L 3644 GM
8	G9005020SA	1	DUCT CVR TOP DCWH/L 3644 SA
8	G9005020SE	1	DUCT CVR TOP DCWH/L 3644 SE
8	G9005020IB	1	DUCT CVR TOP DCWH/L 3644 IB
8	G9005020AR	1	DUCT CVR TOP DCWH/L 3644 AR
8	G9005020RR	1	DUCT CVR TOP DCWH/L 3644 RR
8	G9005020PM	1	DUCT CVR TOP DCWH/L 3644 PM
8	G9005020MS	1	DUCT CVR TOP DCWH/L 3644 MS
8	G3105020SSBR	1	DUCT CVR TOP ASSY, SS/BR
8	G9005020BKBR	1	DUCT CVR TOP ASSY, BK/BR
8	G9005020BTBR	1	DUCT CVR TOP ASSY, BT/BR
8	G9005020SGBR	1	DUCT CVR TOP ASSY, SG/BR
8	G9005020GGBR	1	DUCT CVR TOP ASSY, GG/BR
8	G9005020WHBR	1	DUCT CVR TOP ASSY, WH/BR
8	G9005020BUBR	1	DUCT CVR TOP ASSY, BU/BR
8	G9005020LEBR	1	DUCT CVR TOP ASSY, LE/BR
8	G9005020MJBR	1	DUCT CVR TOP ASSY, MJ/BR
8	G9005020VBBR	1	DUCT CVR TOP ASSY, VB/BR
8	G9005020CBBR	1	DUCT CVR TOP ASSY, CB/BR
8	G9005020PLBR	1	DUCT CVR TOP ASSY, PL/BR
8	G9005020CHBR	1	DUCT CVR TOP ASSY, CH/BR
8	G9005020TPBR	1	DUCT CVR TOP ASSY, TP/BR
8	G9005020CWBR	1	DUCT CVR TOP ASSY, CW/BR
8	G9005020OGBR	1	DUCT CVR TOP ASSY, OG/BR
8	G9005020GMBR	1	DUCT CVR TOP ASSY, GM/BR
8	G9005020SABR	1	DUCT CVR TOP ASSY, SA/BR
8	G9005020SEBR	1	DUCT CVR TOP ASSY, SE/BR
8	G9005020IBBR	1	DUCT CVR TOP ASSY, IB/BR
8	G9005020ARBR	1	DUCT CVR TOP ASSY, AR/BR
8	G9005020RRBR	1	DUCT CVR TOP ASSY, RR/BR
8	G9005020PMBR	1	DUCT CVR TOP ASSY, PM/BR
8	G9005020MSBR	1	DUCT CVR TOP ASSY, MS/BR
9	PD030005	8	SELF RETAINING NUT
10	G3108764SS	1	DUCT CVR BTM ASSY XSSX (VCWH30/36/42)
10	G9008764BK	1	DUCT COVER BTM ASSY (VCWH30/36/42) XBKX
10	G9008764BT	1	DUCT COVER BTM ASSY (VCWH30/36/42) XBTX
10	G9008764SG	1	DUCT COVER BTM ASSY (VCWH30/36/42) XSGX

Ref #	Part Number	Qty.	Description
10	G9008764SG	1	DUCT COVER BTM ASSY (VCWH30/36/42) XSGX
10	G9008764GG	1	DUCT COVER BTM ASSY (VCWH30/36/42) XGGX
10	G9008764WH	1	DUCT COVER BTM ASSY (VCWH30/36/42) XWHX
10	G9008764BU	1	DUCT COVER BTM ASSY (VCWH30/36/42) XBUX
10	G9008764LE	1	DUCT COVER BTM ASSY (VCWH30/36/42) XLEX
10	G9008764MJ	1	DUCT COVER BTM ASSY (VCWH30/36/42) XMJX
10	G9008764VB	1	DUCT COVER BTM ASSY (VCWH30/36/42) XVBX
10	G9008764CB	1	DUCT COVER BTM ASSY (VCWH30/36/42) XCBX
10	G9008764PL	1	DUCT COVER BTM ASSY (VCWH30/36/42) PL
10	G9008764CH	1	DUCT COVER BTM ASSY (VCWH30/36/42) XCHX
10	G9008764TP	1	DUCT COVER BTM ASSY (VCWH30/36/42) TP
10	G9008764CW	1	DUCT COVER BTM ASSY (VCWH30/36/42) CW
10	G9008764OG	1	DUCT COVER BTM ASSY (VCWH30/36/42) OG
10	G9008764GM	1	DUCT COVER BTM ASSY (VCWH30/36/42) GM
10	G9008764SA	1	DUCT COVER BTM ASSY (VCWH30/36/42) SA
10	G9008764SE	1	DUCT COVER BTM ASSY (VCWH30/36/42) SE
10	G9008764IB	1	DUCT COVER BTM ASSY (VCWH30/36/42) IB
10	G9008764AR	1	DUCT COVER BTM ASSY (VCWH30/36/42) AR
10	G9008764RR	1	DUCT COVER BTM ASSY (VCWH30/36/42) RR
10	G9008764PM	1	DUCT COVER BTM ASSY (VCWH30/36/42) PM
10	G9008764MS	1	DUCT COVER BTM ASSY (VCWH30/36/42) MS
10	G3108764SSBR	1	DUCT CVR BTM ASSY, SS/BR
10	G9008764BKBR	1	DUCT CVR BTM ASSY, BK/BR
10	G9008764BTBR	1	DUCT CVR BTM ASSY, BT/BR
10	G9008764SGBR	1	DUCT CVR BTM ASSY, SG/BR
10	G9008764GGBR	1	DUCT CVR BTM ASSY, GG/BR
10	G9008764WHBR	1	DUCT CVR BTM ASSY, WH/BR
10	G9008764BUBR	1	DUCT CVR BTM ASSY, BU/BR
10	G9008764LEBR	1	DUCT CVR BTM ASSY, LE/BR
10	G9008764MJBR	1	DUCT CVR BTM ASSY, MJ/BR
10	G9008764VBBR	1	DUCT CVR BTM ASSY, VB/BR
10	G9008764CBBR	1	DUCT CVR BTM ASSY, CB/BR
10	G9008764PLBR	1	DUCT CVR BTM ASSY, PL/BR
10	G9008764CHBR	1	DUCT CVR BTM ASSY, CH/BR
10	G9008764TPBR	1	DUCT CVR BTM ASSY, TP/BR
10	G9008764CWBR	1	DUCT CVR BTM ASSY, CW/BR
10	G9008764OGBR	1	DUCT CVR BTM ASSY, OG/BR
10	G9008764GMBR	1	DUCT CVR BTM ASSY, GM/BR
10	G9008764SABR	1	DUCT CVR BTM ASSY, SA/BR
10	G9008764SEBR	1	DUCT CVR BTM ASSY, SE/BR
10	G9008764IBBR	1	DUCT CVR BTM ASSY, IB/BR
10	G9008764ARBR	1	DUCT CVR BTM ASSY, AR/BR
10	G9008764RRBR	1	DUCT CVR BTM ASSY, RR/BR
10	G9008764PMBR	1	DUCT CVR BTM ASSY, PM/BR
10	G9008764MSBR	1	DUCT CVR BTM ASSY, MS/BR
11	UNSERVICEABLE	1	OVEN CAVITY, ASM 36
12	A2009300	1	LH LIGHT SUPPORT TOP (VCWH)
13	B2008731	1	CONTROL PANEL (VCWH3048)
14	B2008734	1	LH SIDE FILTER SPACER, 3.726 X 13.726
15	B2008729	1	LH I/S SIDE (VCWH3048)
16	B20012436	1	FILTER SUPPORT BRKT (VCWH30)
17	PD020087	12	10 X 1/2 PAN PH. TEK ZINC
18	G3108724	2	BAFFLE FILTER ASSY (VWH2448) 9.625 X 14
19	PD020032	7	SRW-8(A)X3/8PH.WFR HD 7/16DIAXNICL
20	B20012486	1	FILTER SUPPORT TOP (VWH/VBCV/VCWH30)
21	B20011041	1	REAR FILTER SUPT BOTTOM (VBCV30)
22	B2003849	1	GREASE TROUGH (VWH3048/78)
23	PD020004	3	10X3/8PH.HD.TYPE 25 REPL PD040125
24	B2008733	1	RH SIDE FILTER SPACER, 3.726 X 13.726
25	B2008730	1	RH I/S SIDE (VCWH3048)

Ref #	Part Number	Qty.	Description
25	B2008730	1	RH I/S SIDE (VCWH3048)
26	PE050156	2	PRO BLOWER CONTROL
27	B2003888	1	HEAT LAMP COWLING (18 HIGH HOODS)
28	A2003889	1	COWLING BRKT
29	A2009301	1	RH LIGHT SUPPORT TOP (VCWH)
30	PE050050	1	HEAT LAMP SWITCH (A111B1100000)
31	PJ030014	1	HEAT SENSOR (N.O.) 160 DEG.
32	PC040010	18	POP RIVET
33	PE050034	2	HALOGEN BULB 50W
34	A2103810	1	THERMODISC BRACKET
35	PE050032	3	LIGHT SOCKET, (571V)
36	B2003837	1	HEAT SENSOR BRKT
37	PE050048	2	FAN/LIGHT SWITCH (HOODS) EP0M11J
38	PA010071	2	LIGHT/MOTOR CONTROLLER KNOB
39	PE040133	1	CONTROL PANEL PLATE
40	A20011079	1	BOTTOM LIGHT SUPT (VWH/VBCV/VCWH30)
41	A2009302	1	LIGHT SUPPORT TOP (VCWH3048)
42	A20011005	2	BOTTOM LIGHT SUPT BRKT (VWH/VBCV/VCWH)