

This Owner's Manual is provided and hosted by [Appliance Factory Parts](#).



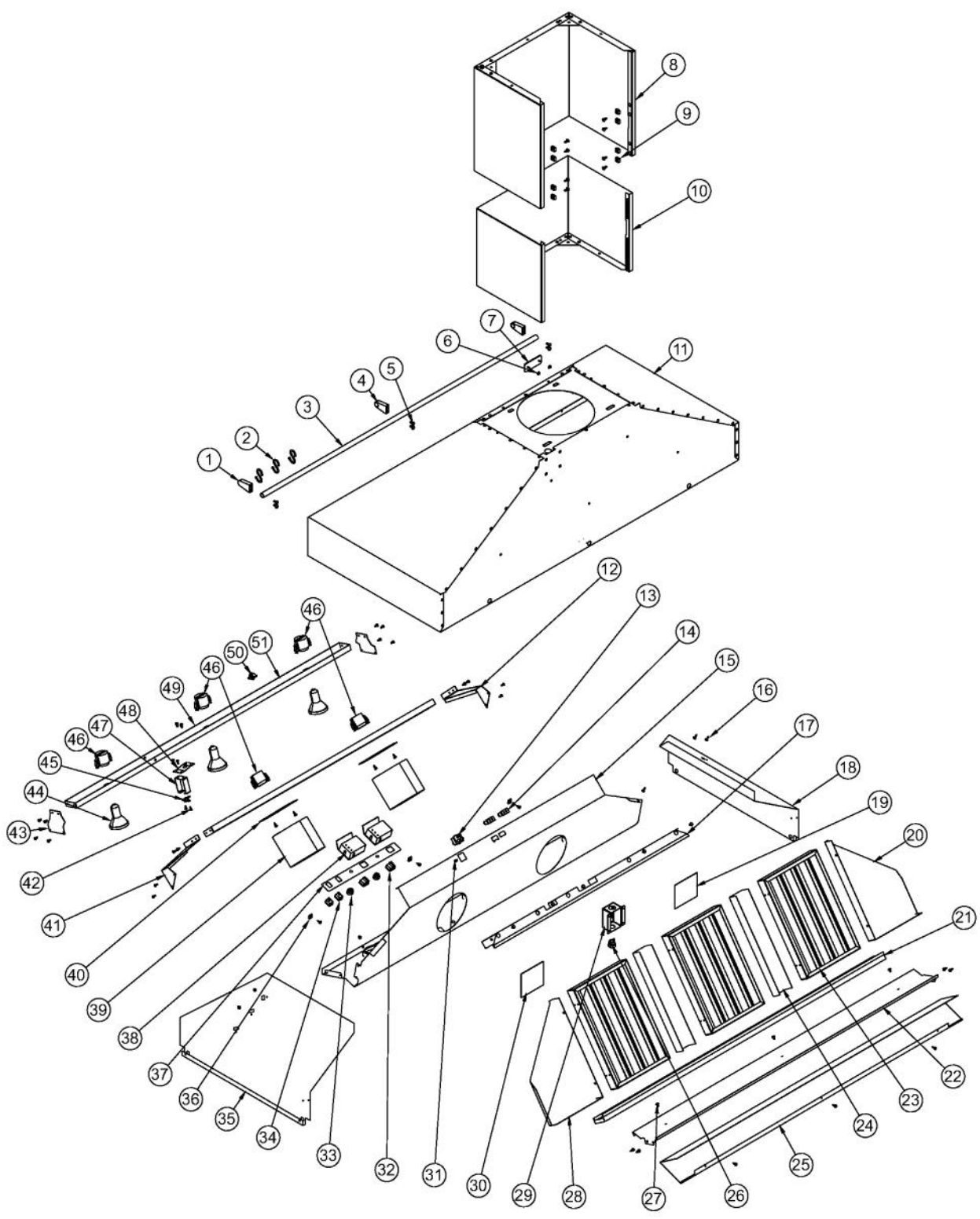
VIKING VCWH5448 Owner's Manual

[Shop genuine replacement parts for VIKING VCWH5448](#)



[Find Your VIKING Range Hoods Parts - Select From 411 Models](#)

----- Manual continues below -----



Ref #	Part Number	Qty.	Description
1	PE030054	2	END CAP - SS
2	PE030076	3	CHROME S HOOKS REPL PV100012SS
3	PE030122	1	54 FRONT/REAR ACCESS RAILXSSX
4	PE030052	1	SUPPORT TUBE, HOLE THROUGH
5	PD010003	6	10-24 X 1/2 PH.TR.HD.SERD.M.S.
6	PD030006	2	CAPPED WASHER PAL NUT
7	PE010142	1	3 LOGO XBKXXCHROME
8	G3105021SS	1	DUCT CVR TOP ASSY 18X12(DCWH/L4844)
8	G9005021BK	1	DUCT CVR TOP ASSY (DCWH/L 4844)XBKX
8	G9005021BT	1	DUCT CVR TOP (DCWH/L 4844)XBTX
8	G9005021SG	1	DUCT CVR TOP (DCWH/L 4844)XSGX
8	G9005021GG	1	DUCT CVR TOP (DCWH/L 4844)XGGX
8	G9005021WH	1	DUCT CVR TOP (DCWH/L 4844)XWHX
8	G9005021BU	1	DUCT CVR TOP ASSY (DCWH/L 4844)XBUX
8	G9005021LE	1	DUCT CVR TOP ASSY (DCWH/L 4844)XLEX
8	G9005021MJ	1	DUCT CVR TOP ASSY (DCWH/L 4844)XMJX
8	G9005021VB	1	DUCT CVR TOP ASSY (DCWH/L 4844)XVBX
8	G9005021CB	1	DUCT CVR TOP ASSY (DCWH/L 4844)XCBX
8	G9005021PL	1	DUCT CVR TOP DCWH/L 4844 PL
8	G9005021CH	1	DUCT CVR TOP DCWH/L 4844 CH
8	G9005021TP	1	DUCT CVR TOP DCWH/L 4844 TP
8	G9005021CW	1	DUCT CVR TOP DCWH/L 4844 CW
8	G9005021OG	1	DUCT CVR TOP DCWH/L 4844 OG
8	G9005021GM	1	DUCT CVR TOP DCWH/L 4844 GM
8	G9005021SA	1	DUCT CVR TOP DCWH/L 4844 SA
8	G9005021SE	1	DUCT CVR TOP DCWH/L 4844 SE
8	G9005021IB	1	DUCT CVR TOP DCWH/L 4844 IB
8	G9005021AR	1	DUCT CVR TOP DCWH/L 4844 AR
8	G9005021RR	1	DUCT CVR TOP DCWH/L 4844 RR
8	G9005021PM	1	DUCT CVR TOP DCWH/L 4844 PM
8	G9005021MS	1	DUCT CVR TOP DCWH/L 4844 MS
8	G3105021SSBR	1	DUCT CVR TOP ASSY, SS/BR
8	G9005021BKBR	1	DUCT CVR TOP ASSY, BK/BR
8	G9005021BTBR	1	DUCT CVR TOP ASSY, BT/BR
8	G9005021SGBR	1	DUCT CVR TOP ASSY, SG/BR
8	G9005021GGBR	1	DUCT CVR TOP ASSY, GG/BR
8	G9005021WHBR	1	DUCT CVR TOP ASSY, WH/BR
8	G9005021BUBR	1	DUCT CVR TOP ASSY, BU/BR
8	G9005021LEBR	1	DUCT CVR TOP ASSY, LE/BR
8	G9005021MJBR	1	DUCT CVR TOP ASSY, MJ/BR
8	G9005021VBBR	1	DUCT CVR TOP ASSY, VB/BR
8	G9005021CBBR	1	DUCT CVR TOP ASSY, CB/BR
8	G9005021PLBR	1	DUCT CVR TOP ASSY, PL/BR
8	G9005021CHBR	1	DUCT CVR TOP ASSY, CH/BR
8	G9005021TPBR	1	DUCT CVR TOP ASSY, TP/BR
8	G9005021CWBR	1	DUCT CVR TOP ASSY, CW/BR
8	G9005021OGBR	1	DUCT CVR TOP ASSY, OG/BR
8	G9005021GMBR	1	DUCT CVR TOP ASSY, GM/BR
8	G9005021SABR	1	DUCT CVR TOP ASSY, SA/BR
8	G9005021SEBR	1	DUCT CVR TOP ASSY, SE/BR
8	G9005021IBBR	1	DUCT CVR TOP ASSY, IB/BR
8	G9005021ARBR	1	DUCT CVR TOP ASSY, AR/BR
8	G9005021RRBR	1	DUCT CVR TOP ASSY, RR/BR
8	G9005021PMBR	1	DUCT CVR TOP ASSY, PM/BR
8	G9005021MSBR	1	DUCT CVR TOP ASSY, MS/BR
9	PD030005	8	SELF RETAINING NUT
10	G3109342SS	1	DUCT COVER BTM ASSY (VCWH48/5448)
10	G9009342BK	1	DUCT COVER BTM ASSY (VCWH48/5448) XBKX
10	G9009342BT	1	DUCT COVER BTM ASSY (VCWH48/5448) XBTX
10	G9009342SG	1	DUCT COVER BTM ASSY (VCWH48/5448) XSGX

Ref #	Part Number	Qty.	Description
10	G9009342SG	1	DUCT COVER BTM ASSY (VCWH48/5448) XSGX
10	G9009342GG	1	DUCT COVER BTM ASSY (VCWH48/5448) XGGX
10	G9009342WH	1	DUCT COVER BTM ASSY (VCWH48/5448) XWHX
10	G9009342BU	1	DUCT COVER BTM ASSY (VCWH48/5448) XBUX
10	G9009342LE	1	DUCT COVER BTM ASSY (VCWH48/5448) XLEX
10	G9009342MJ	1	DUCT COVER BTM ASSY (VCWH48/5448) XMJX
10	G9009342VB	1	DUCT COVER BTM ASSY (VCWH48/5448) XVBX
10	G9009342CB	1	DUCT COVER BTM ASSY (VCWH48/5448) XCBX
10	G9009342PL	1	DUCT COVER BTM ASSY (VCWH48/5448) PL
10	G9009342CH	1	DUCT COVER BTM ASSY (VCWH48/5448) CH
10	G9009342TP	1	DUCT COVER BTM ASSY (VCWH48/5448) TP
10	G9009342CW	1	DUCT COVER BTM ASSY (VCWH48/5448) CW
10	G9009342OG	1	DUCT COVER BTM ASSY (VCWH48/5448) OG
10	G9009342GM	1	DUCT COVER BTM ASSY (VCWH48/5448) GM
10	G9009342SA	1	DUCT COVER BTM ASSY (VCWH48/5448) SA
10	G9009342SE	1	DUCT COVER BTM ASSY (VCWH48/5448) SE
10	G9009342IB	1	DUCT COVER BTM ASSY (VCWH48/5448) IB
10	G9009342AR	1	DUCT COVER BTM ASSY (VCWH48/5448) AR
10	G9009342RR	1	DUCT COVER BTM ASSY (VCWH48/5448) RR
10	G9009342PM	1	DUCT COVER BTM ASSY (VCWH48/5448) PM
10	G9009342MS	1	DUCT COVER BTM ASSY (VCWH48/5448) MS
10	G3109342SSBR	1	DUCT CVR BTM ASSY, SS/BR
10	G9009342BKBR	1	DUCT CVR BTM ASSY, BK/BR
10	G9009342BTBR	1	DUCT CVR BTM ASSY, BT/BR
10	G9009342SGBR	1	DUCT CVR BTM ASSY, SG/BR
10	G9009342GGBR	1	DUCT CVR BTM ASSY, GG/BR
10	G9009342WHBR	1	DUCT CVR BTM ASSY, WH/BR
10	G9009342BUBR	1	DUCT CVR BTM ASSY, BU/BR
10	G9009342LEBR	1	DUCT CVR BTM ASSY, LE/BR
10	G9009342MJBR	1	DUCT CVR BTM ASSY, MJ/BR
10	G9009342VBBR	1	DUCT CVR BTM ASSY, VB/BR
10	G9009342CBBR	1	DUCT CVR BTM ASSY, CB/BR
10	G9009342PLBR	1	DUCT CVR BTM ASSY, PL/BR
10	G9009342CHBR	1	DUCT CVR BTM ASSY, CH/BR
10	G9009342TPBR	1	DUCT CVR BTM ASSY, TP/BR
10	G9009342CWBR	1	DUCT CVR BTM ASSY, CW/BR
10	G9009342OGBR	1	DUCT CVR BTM ASSY, OG/BR
10	G9009342GMBR	1	DUCT CVR BTM ASSY, GM/BR
10	G9009342SABR	1	DUCT CVR BTM ASSY, SA/BR
10	G9009342SEBR	1	DUCT CVR BTM ASSY, SE/BR
10	G9009342IBBR	1	DUCT CVR BTM ASSY, IB/BR
10	G9009342ARBR	1	DUCT CVR BTM ASSY, AR/BR
10	G9009342RRBR	1	DUCT CVR BTM ASSY, RR/BR
10	G9009342PMBR	1	DUCT CVR BTM ASSY, PM/BR
10	G9009342MSBR	1	DUCT CVR BTM ASSY, MS/BR
11	UNSERVICEABLE	1	OVEN CAVITY, ASM 36
12	A2009300	1	LH LIGHT SUPPORT TOP (VCWH)
13	PE070197	1	MALE SOCKET (3 PRONG)
14	PE070196	2	FEMALE SOCKET (2 PRONG)
15	B2008771	1	CONTROL PANEL (VCWH5448)
16	PD020087	22	10 X 1/2 PAN PH. TEK ZINC
17	B20012439	1	FILTER SUPPORT BRKT (VCWH54)
18	B2008769	1	LH I/S SIDE (VCWH54/6048)
19	PE020058	1	RATING LABEL (ADHESIVE)
20	B2008774	1	LH SIDE FILTER SPACER, 8.62 X 14.375
21	B2003925	1	GREASE TROUGH (VWH5448/78/VIH54)
22	B20011026	1	FILTER SUPPORT TOP
23	G3108724	3	BAFFLE FILTER ASSY (VWH2448) 9.625 X 14
24	B2003911	2	FILTER SPACER 48 2.25 X 14
25	B20011022	1	FILTER SUPPORT BOTTOM

Ref #	Part Number	Qty.	Description
25	B20011022	1	FILTER SUPPORT BOTTOM
26	PE070204	1	HEYCO STRAIN RELIEF - 7-P2
27	PD020032	8	SRW-8(A)X3/8PH.WFR HD 7/16DIAXNICL
28	B2008773	1	RH SIDE FILTER SPACER, 8.62 X 14.375
29	A2004678	1	DCWH ROUGH IN BOX
30	PF030337	1	HOOD WARNING LABEL
31	PD020010	1	10 X 3/8 GREEN GROUNDING SCREW
32	PE050048	2	FAN/LIGHT SWITCH (HOODS) EP0M11J
33	PA010071	2	LIGHT/MOTOR CONTROLLER KNOB
34	PE050050	2	HEAT LAMP SWITCH (A111B1100000)
35	B2008770	1	RH I/S SIDE (VCWH54/6048)
36	PD030059	3	TINNERMAN CLIP
37	PE040134	1	CONTROL PANEL PLATE
38	PE050156	2	PRO BLOWER CONTROL
39	B2003888	2	HEAT LAMP COWLING (18 HIGH HOODS)
40	A2003889	2	COWLING BRKT
41	A2009301	1	RH LIGHT SUPPORT TOP (VCWH)
42	PC040010	20	POP RIVET
43	A20011005	2	BOTTOM LIGHT SUPT BRKT (VWH/VBCV/VCWH)
44	PE050034	3	HALOGEN BULB 50W
45	PJ030014	1	HEAT SENSOR (N.O.) 160 DEG.
46	PE050032	5	LIGHT SOCKET, (571V)
47	A2103810	1	THERMODISC BRACKET
48	B2003837	1	HEAT SENSOR BRKT
49	A2009306	1	LIGHT SUPPORT TOP (VCWH5448)
50	PE070214	1	DART CLIP
51	A20011082	1	BOTTOM LIGHT SUPT (VWH/VBCV/VCWH54)