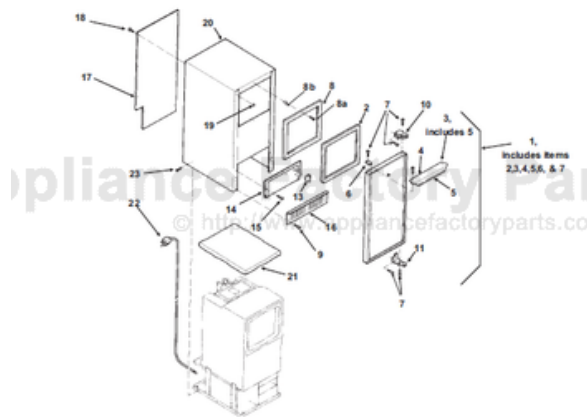


This Owner's Manual is provided and hosted by [Appliance Factory Parts](#).



VIKING DCE33P Owner's Manual

[Shop genuine replacement parts for VIKING DCE33P](#)



[Find Your VIKING Range Hoods Parts - Select From 411 Models](#)

----- Manual continues below -----

DCE33 SERVICE PARTS

The section contains the parts list for the DCE33. The DCE33 has been manufactured in either a White, Black or Stainless Steel finish.

A "D" series model was introduced in 2011 (as in DCE33A-1BD), it has a different timer and wiring diagram.

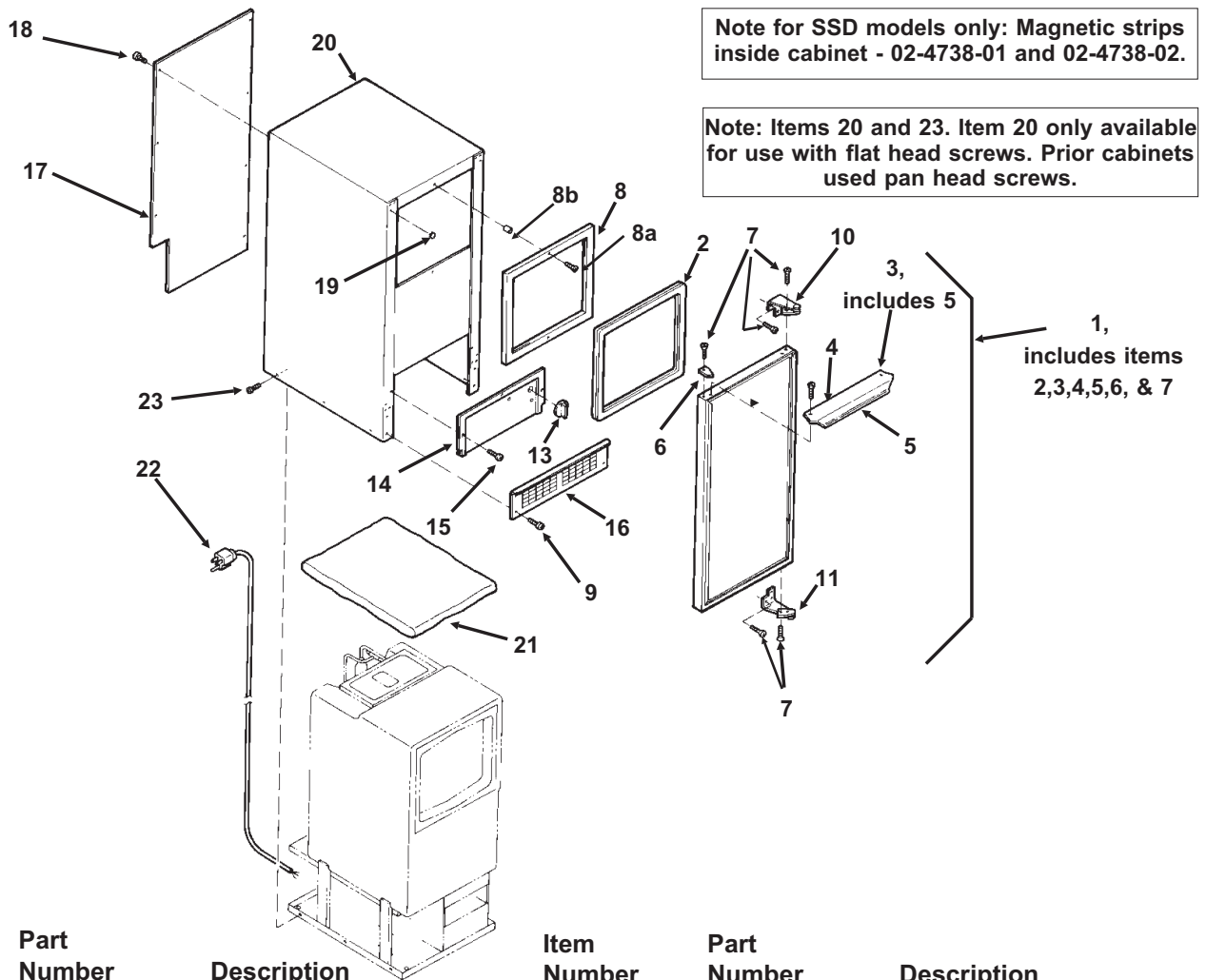
Please check the part description before ordering any part.

Table of Contents

Cabinet	Page 2
Pump, Evaporator, Storage Bin	Page 3
Drain Pump Components	Page 4
Condensing Unit	Page 5
Reservoir	Page 6
CONTROL BOX - all models except DCE33A-1BD, DCE33PA-1BD, DCE33A-1SSD or DCE33PA-1SSD	Page 7
CONTROL BOX - for DCE33A-1BD, DCE33PA-1BD, DCE33A-1SSD or DCE33PA-1SSD ...	Page 8
Compressor	Page 9
Drain Pump Model Wiring Diagram - Prior to August 2000	Page 11
Gravity Drain Model Wiring Diagram - Prior to August 2000	Page 12
Drain Pump Model Wiring Diagram after August 2000 up to D series	Page 13
Gravity Drain Model Wiring Diagram after August 2000 up to D series	Page 14
Wiring Diagram for DCE33A-1BD, DCE33PA-1BD, DCE33A-1SSD or DCE33PA-1SSD	Page 15
Schematic Diagram DCE33A-1BD, DCE33PA-1BD, DCE33A-1SSD or DCE33PA-1SSD	Page 16

DCE33 SERVICE PARTS

Cabinet



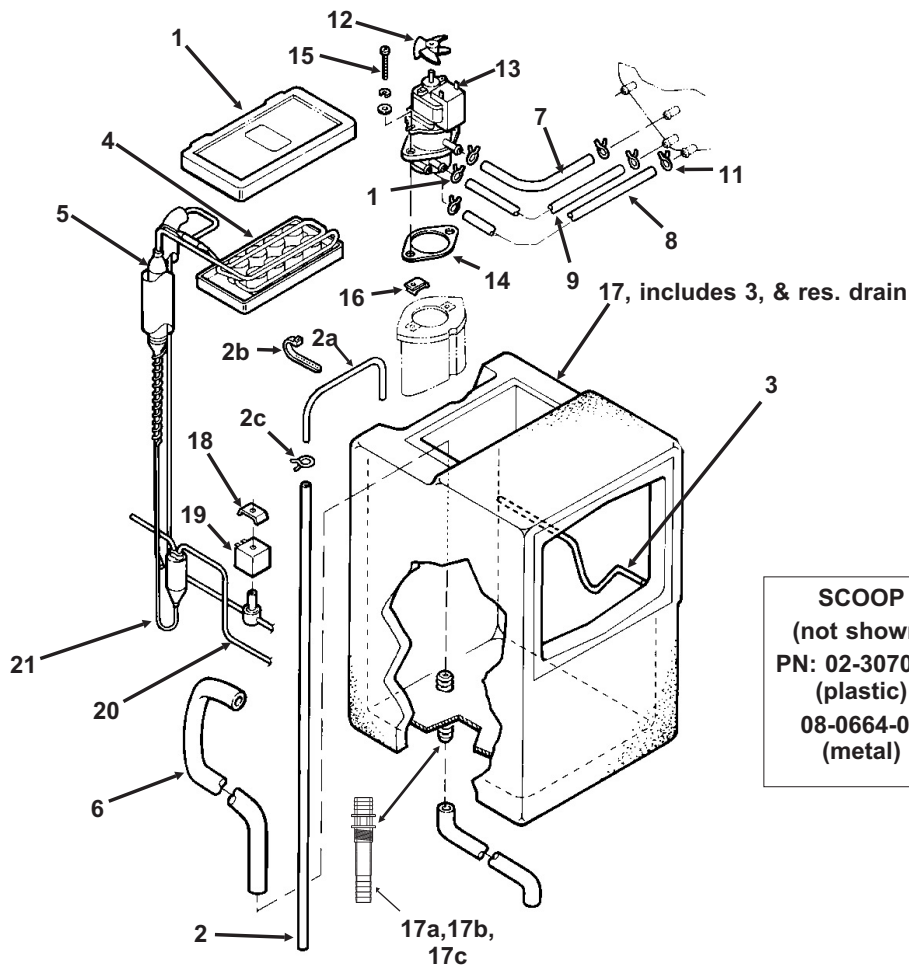
Note for SSD models only: Magnetic strips inside cabinet - 02-4738-01 and 02-4738-02.

Note: Items 20 and 23. Item 20 only available for use with flat head screws. Prior cabinets used pan head screws.

Item Number	Part Number	Description	Item Number	Part Number	Description
1.	A32117-003	White Door Assembly	11.	15-0799-02	Hinge
	A32117-010	Black door assembly	13.	02-3141-01	Knob, Bin Thermo
	A32117-011	Stainless door assembly	14.	A34877-002	Cont Box cover - white
2.	13-0826-04	Gasket		A34877-003	Cont Box cover - black
3.	A29043-001	Alum. Door Handle (white)		A40162-001	Cont Box cover - SS
	A29043-003	Alum. Door Handle, (black)	14a	17-3465-01	Bin level control label
4.	03-1607-01	Head Screw (2)	15.	03-1404-07	Screw (6)
5.	15-0730-01	Nameplate strip (white)	16.	02-2243-02	Kickplate - black
	15-0730-02	Nameplate strip (black)	17.	A29102-001	Rear Panel
6.	15-0648-01	Alum. Hinge Fill Plate, Rt.	18.	03-1404-08	Screw (9)
	15-0648-02	Alum. Hinge Fill Plate, Lt.	19.	02-2481-01	Plug (6) (white)
7.	03-1418-24	Screw (10)		02-2481-02	Plug, black
8.	13-0828-01	Gasket (white)		02-1874-11	Plug, nickel
	13-0828-02	Gasket (grey)	20.	A38803-021	Cabinet (white)
8a	03-1419-08	Screw - not for ss		A38803-022	Cabinet (black)
	03-1404-26	Screw for SS cabinets			
8b	02-2701-01	Spacer		A40159-001	Cabinet (stainless steel)
9.	03-1419-26	Screw, black	21.	A26787-001	Insulation (in Bag)
	03-1419-29	Screw, white	22.	12-2571-01	Power cord & wire harness
10.	15-0799-01	Hinge		12-1638-21	For D series
			23.	03-1431-00	Screw, pan head
				03-1419-29	Flat head screw, white

DCE33 SERVICE PARTS

Pump, Evaporator, Storage Bin

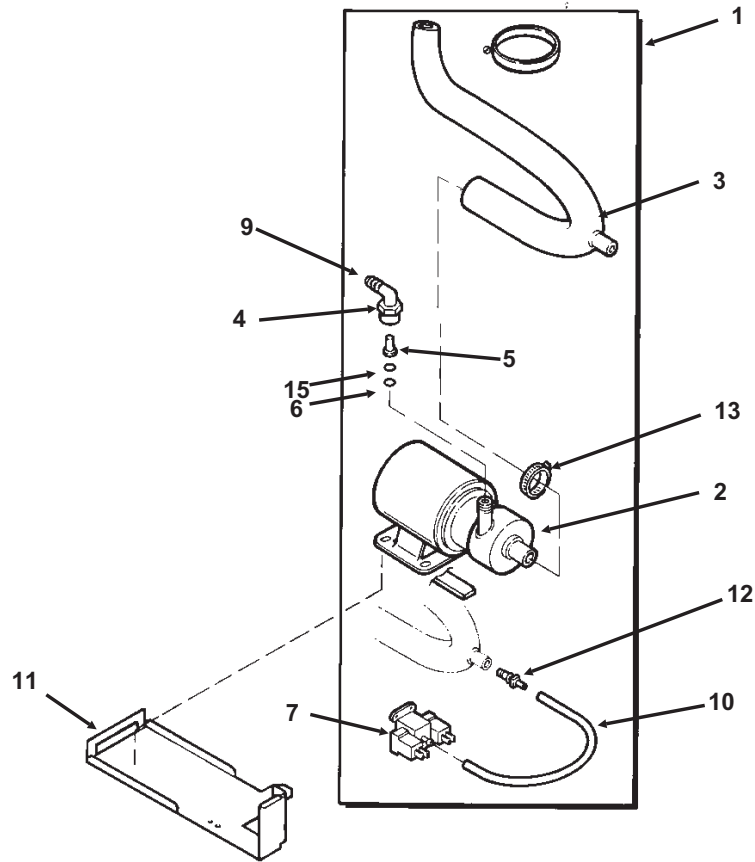


SCOOP
(not shown)
PN: 02-3070-01
(plastic)
08-0664-01
(metal)

Item Number	Part Number	Description
1.	02-2274-01	Platen Cover
2.	13-0674-01	Tube, 37"
2a	A27027-001	Copper inlet tube
2b	no number	Tube holder
2c	02-1727-01	Hose clamp
3.	A34816-001	Bin Thermostat bracket
4.	02-3489-20	Evaporator, does NOT include suction line and accumulator
5.	A36699-020	Evaporator, Complete
6.	13-0899-01	Res. drain hose
7.	13-0674-16	Tube, 5/8" Req. 4.25"
8.	13-0674-15	Tube, 1/2", Req. 3.25"
9.	13-0674-15	Tube, 1/2", Req. 3-5/8"
10.	02-1775-02	Clamp (2)
11.	02-0534-02	Clamp (4)
12.	02-1719-00	Fan Blade
13.	A30625-001	Spray Pump
14.	13-0687-00	Gasket
15.	03-1719-01	Screw
16.	no longer used	Speed Nut (2)
17.	A36930-020	Bin Assembly, includes reservoir drain hose & drain fittings
17a	02-3323-01	Drain fitting (foamed in bin)
17b	13-0617-13	O-Ring
17c	03-1394-05	Pal nut
18	12-2569-03	Clip, Hot Gas Valve
19.	12-2569-02	Coil, Hot Gas Valve replaces coils that have encapsulated wires
	11-0562-22	Coil, hot gas valve replaces coils that have terminals
20.	11-0562-21	Hot Gas Valve kit
21	02-3490-01	Drier

DCE33 SERVICE PARTS

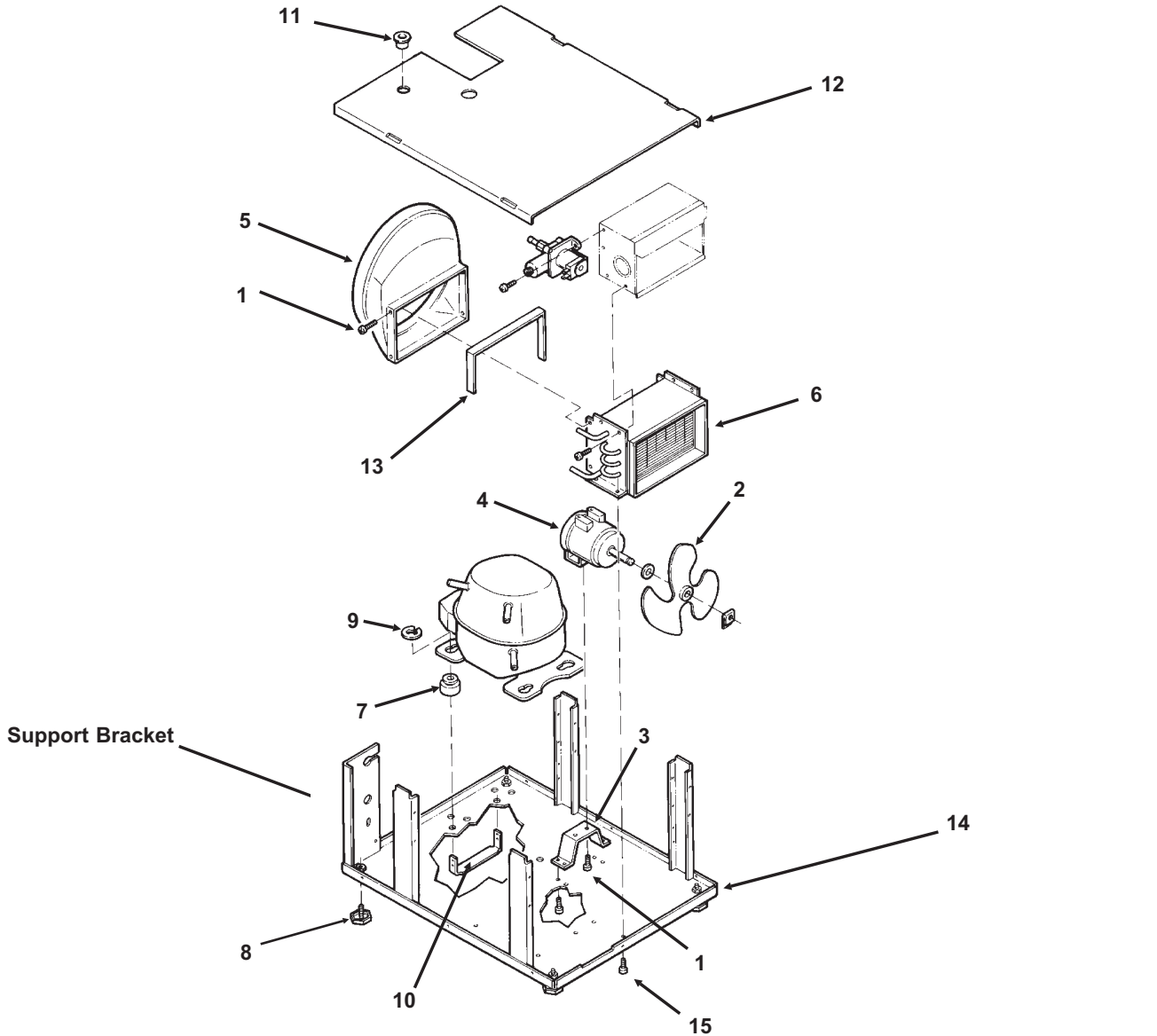
Drain Pump Components



Item Number	Part Number	Description
1.	A36892-020	Drain Pump Kit, for all except DCE33A-1BD and DCE33A-1SSD
	A39885-001	Drain pump kit, for DCE33A-1BD or DCE33A-1SSD
		use to convert any DCE33 gravity model to pump type. Pump must be ordered separately.
2	12-2503-21	Drain pump only,
		use to replace drain pumps or w/kit to convert.
Pump Kit Service Parts		
3	02-3369-01	Inlet hose
4	02-3522-01	Elbow
5	02-3374-01	Check valve
6	13-0617-08	O-ring
7	11-0504-01	Pressure switch
8	obsolete	Impeller & housing kit
9	A37334-001	Discharge hose
10	05-0591-01	Switch hose
11	A36746-001	Mounting bracket
12	02-3406-01	Barbed connector
13	02-2814-11	Clamp
14	12-2580-01	Harness
	12-3001-01	Harness, for converted-to-pump DCE33A-1BD, DCE33PA-1D, DCE33A-1SSD
		or DCE33PA-1SSD
15	03-3904-01	Check valve spring

DCE33 SERVICE PARTS

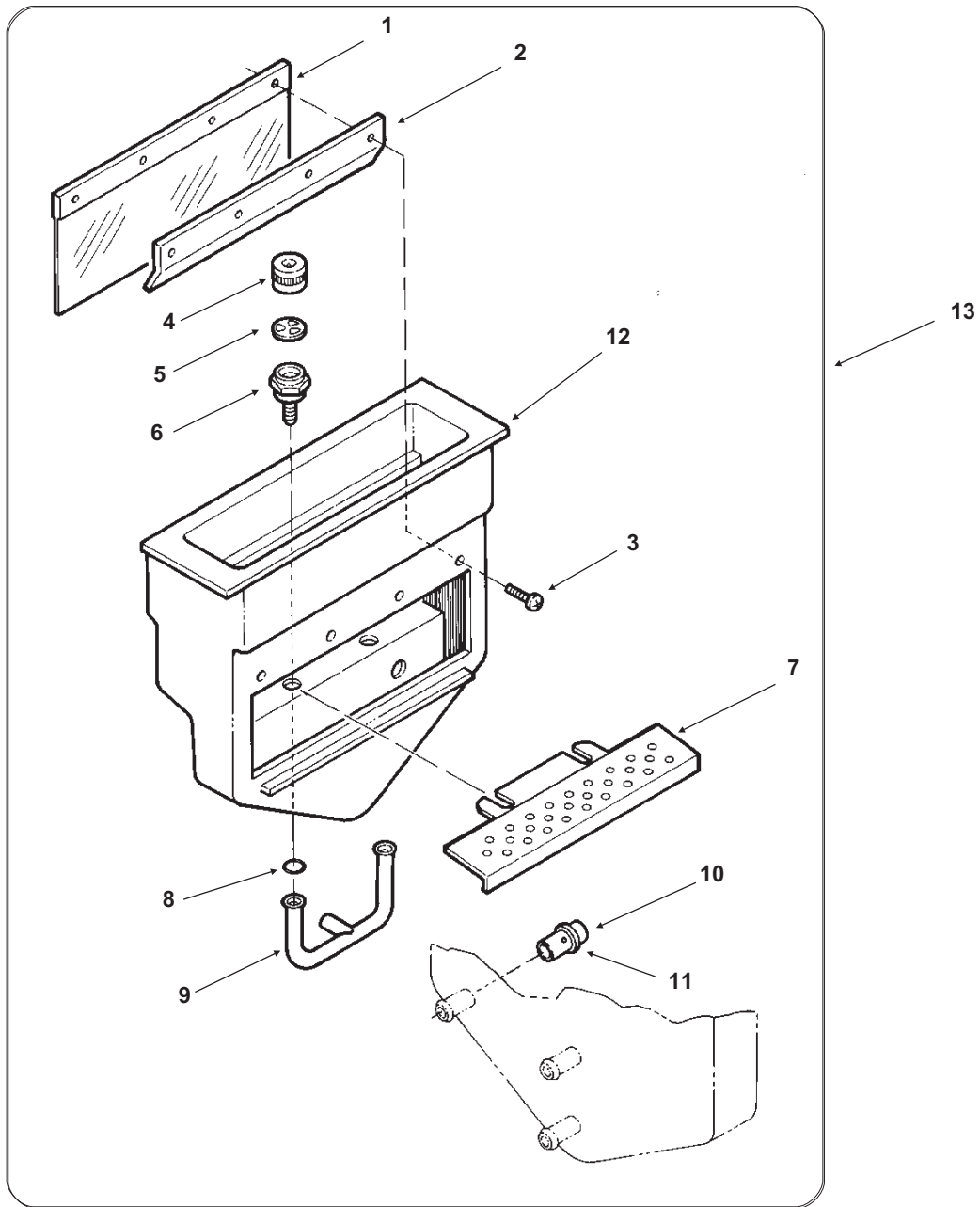
Condensing Unit



Item Number	Part Number	Description	Item Number	Part Number	Description
1.	03-1404-08	Screw (4)	11	12-1213-10	Bushing
2.	18-3710-01	Fan Blade	12	A37732-001	Upper base plate
3.	A28798-001	Fan Motor Bracket	13	13-0609-00	Foam tape
4.	12-2396-21	Fan Motor	14	A28921-001	Lower base plate
	18-8752-10	Blade pad		A38638-001	Lower base plate use began w/sn 05111320015862
	18-8752-11	Blade nut			Support brackets part of item 12
5.	02-2871-01	Fan Shroud		A40164-001	Base pan for -1SSD
6.	18-3729-01	Condenser	15	03-1531-01	Screw
7.	18-4700-28	Grommet			
8.	03-1608-01	Leg Leveler			
9.	03-1407-08	Washer			
	03-3821-01	Clip			
10.	A29015-001	Bracket			

DCE33 SERVICE PARTS

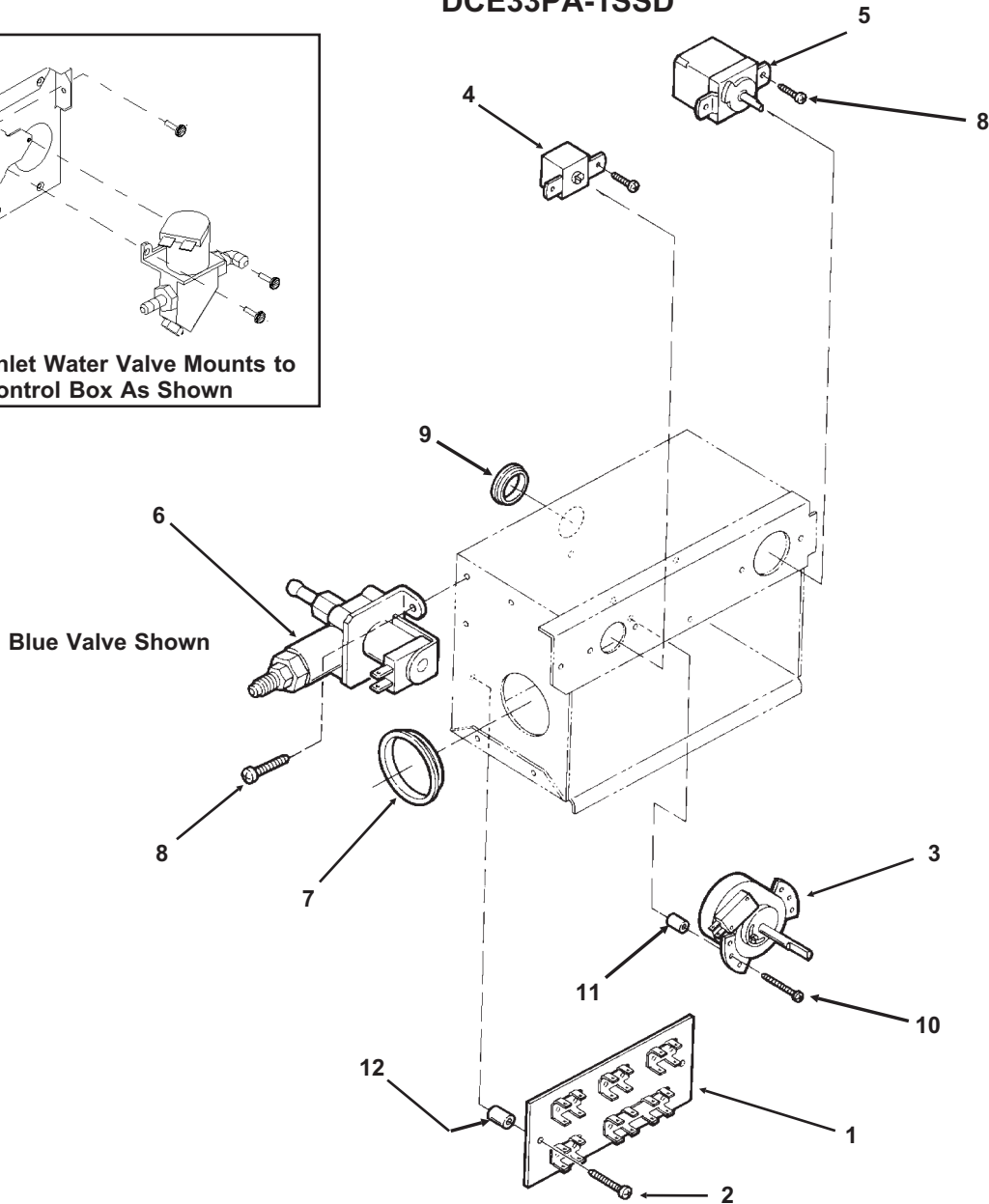
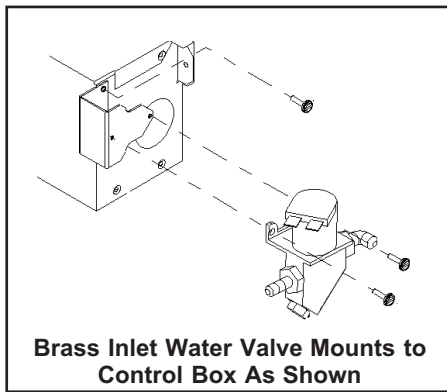
Reservoir



Item Number	Part Number	Description	Item Number	Part Number	Description
1.	02-2479-21	Curtain	8.	13-0617-08	O-ring
2.	A24155-001	Curtain stiffener	9.	02-2704-01	Spray Bar Assembly
3.	03-1404-16	Screw	10.	05-0593-01	SS nipple
4.	02-1841-00	Nozzle	11.	13-0617-01	O-ring
5.	A09543-000	Spinner	12.	02-1923-01	Bin Insert
6.	02-1840-00	Jet Base	13.	A22532-001	Bin insert assy
7.	A22518-000	Cube Chute			

DCE33 SERVICE PARTS

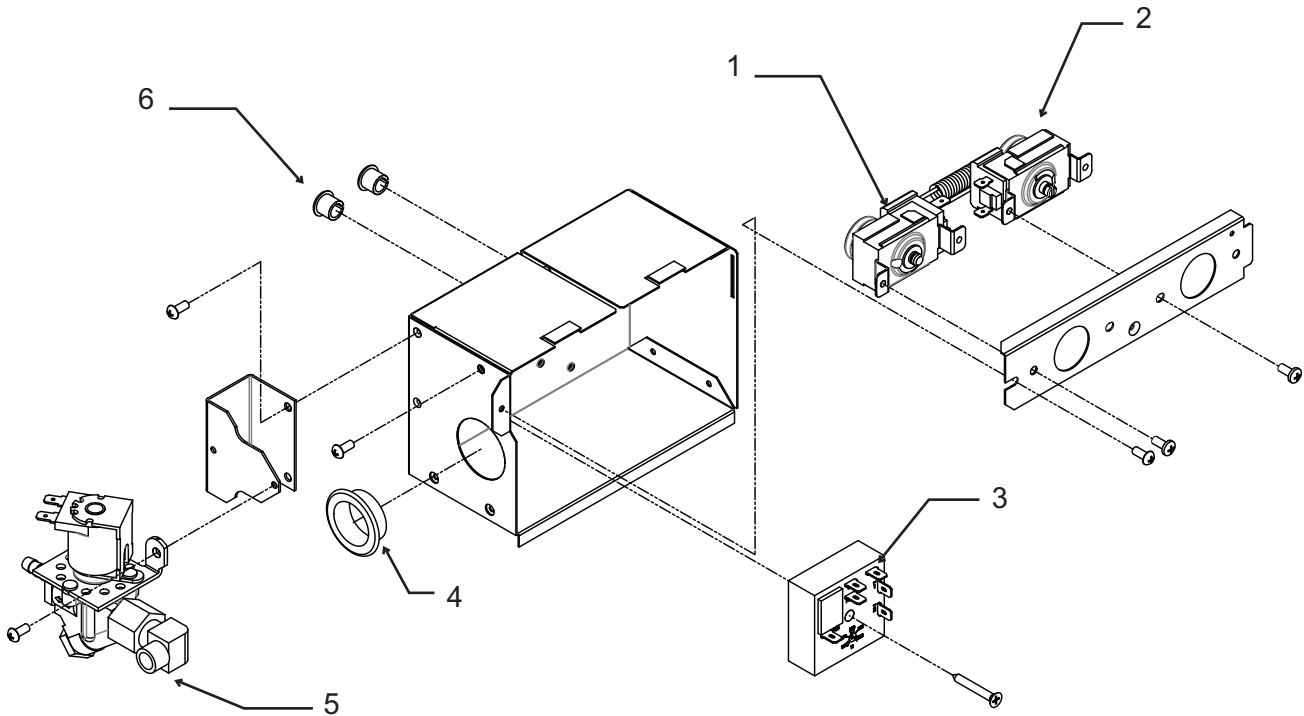
CONTROL BOX - all models except DCE33A-1BD, DCE33PA-1BD, DCE33A-1SSD or DCE33PA-1SSD



Item Number	Part Number	Description	Item Number	Part Number	Description
1.	A25981-001	Terminal Board	7.	12-1213-12	Bushing
2.	03-1638-01	Screw	8.	03-1403-17	Screw
3.	12-1980-01	Timer And Switch	9.	12-1213-04	Snap bushing
4.	11-0503-21	Cube Size Control	10.	03-1638-02	Screw
5.	11-0407-21	Bin Level Control	11.	02-2242-06	Stand off
	02-3141-01	Knob for item 5	12.	02-2242-05	Stand off
6.	12-2907-21	Inlet Water Valve Kit (includes new fittings)	Not Shown		
	12-2907-31	Coil only for brass valve	13.	A39918-001	Kit to retrofit electronic timer to prior model.
	12-2410-31	Coil only for plastic valve			

DCE33 SERVICE PARTS

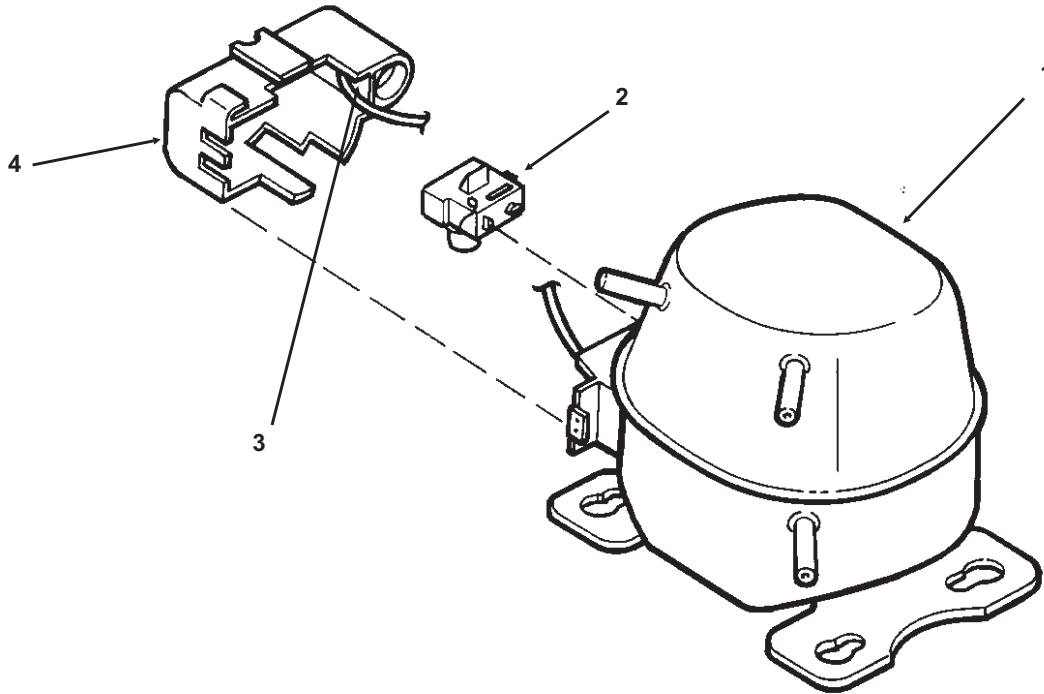
CONTROL BOX - for DCE33A-1BD, DCE33PA-1BD, DCE33A-1SSD or DCE33PA-1SSD



Item Number	Part Number	Description
1	11-0503-21	Cube size control
2	11-0407-21	Bin level control
3	12-2985-01	Timer
	03-1419-16	Screw
4	12-1213-12	Snap bushing
5	12-2907-21	Inlet water valve kit, includes new fittings
	12-2907-31	Coil only for inlet water valve
6	12-1213-04	Snap bushing

DCE33 SERVICE PARTS

Compressor



Item Number	Part Number	Description
1.	18-8776-21	Compressor Kit, Includes Relay, Overload, Instructions
2.	18-8776-51	Relay
3.	18-8776-52	Overload
4.	18-8776-54	Cover

DCE33 SERVICE PARTS

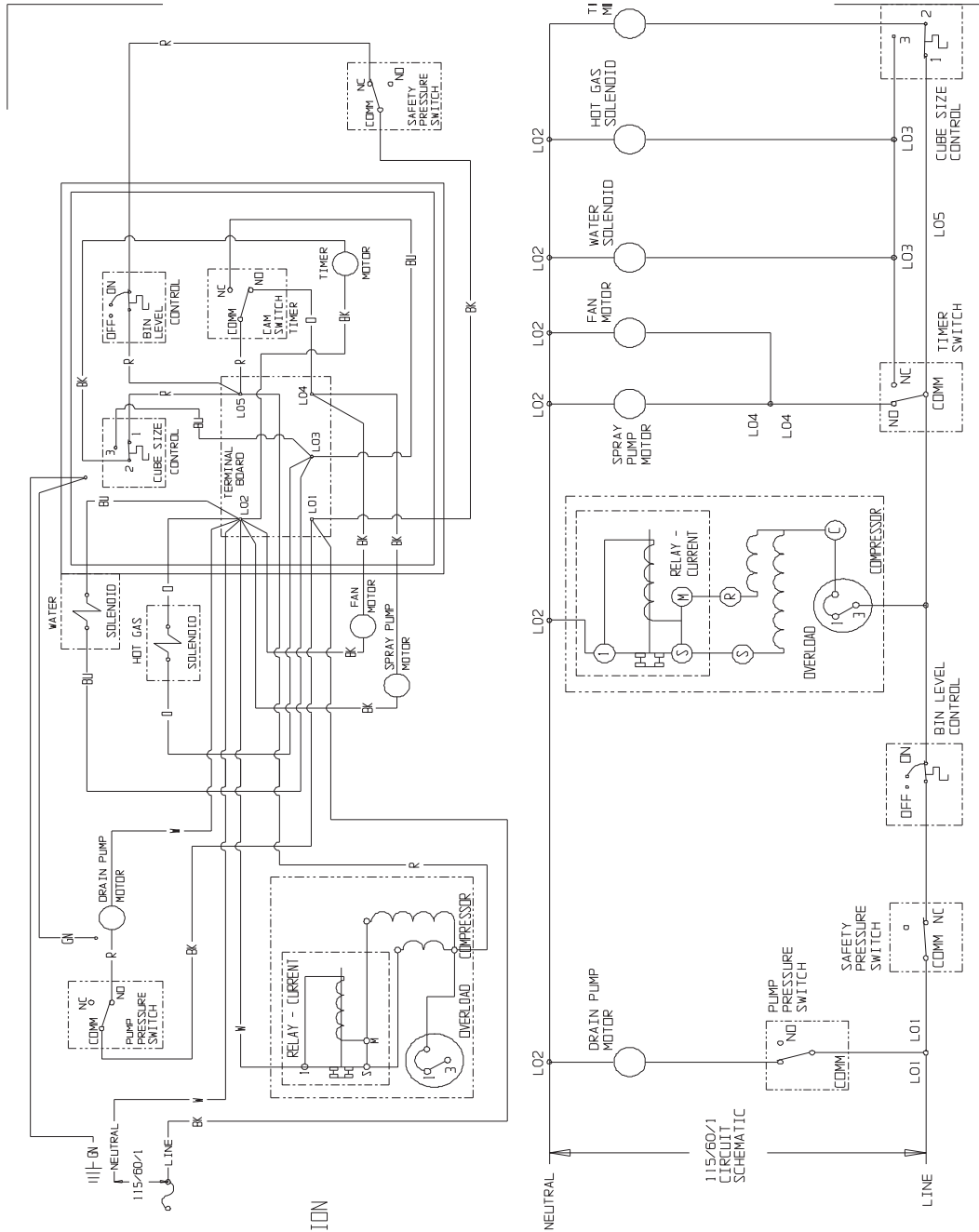
Kit Parts

K-SS Door Sleeve Kit

02-3846-01	Sleeve
02-3847-01	Handle
03-1403-50	Screw for handle
03-1407-06	Washer
03-1410-03	Lockwasher
03-3811-01	Screw

DCE33 SERVICE PARTS

Drain Pump Model Wiring Diagram - Prior to August 2000



A36943-001

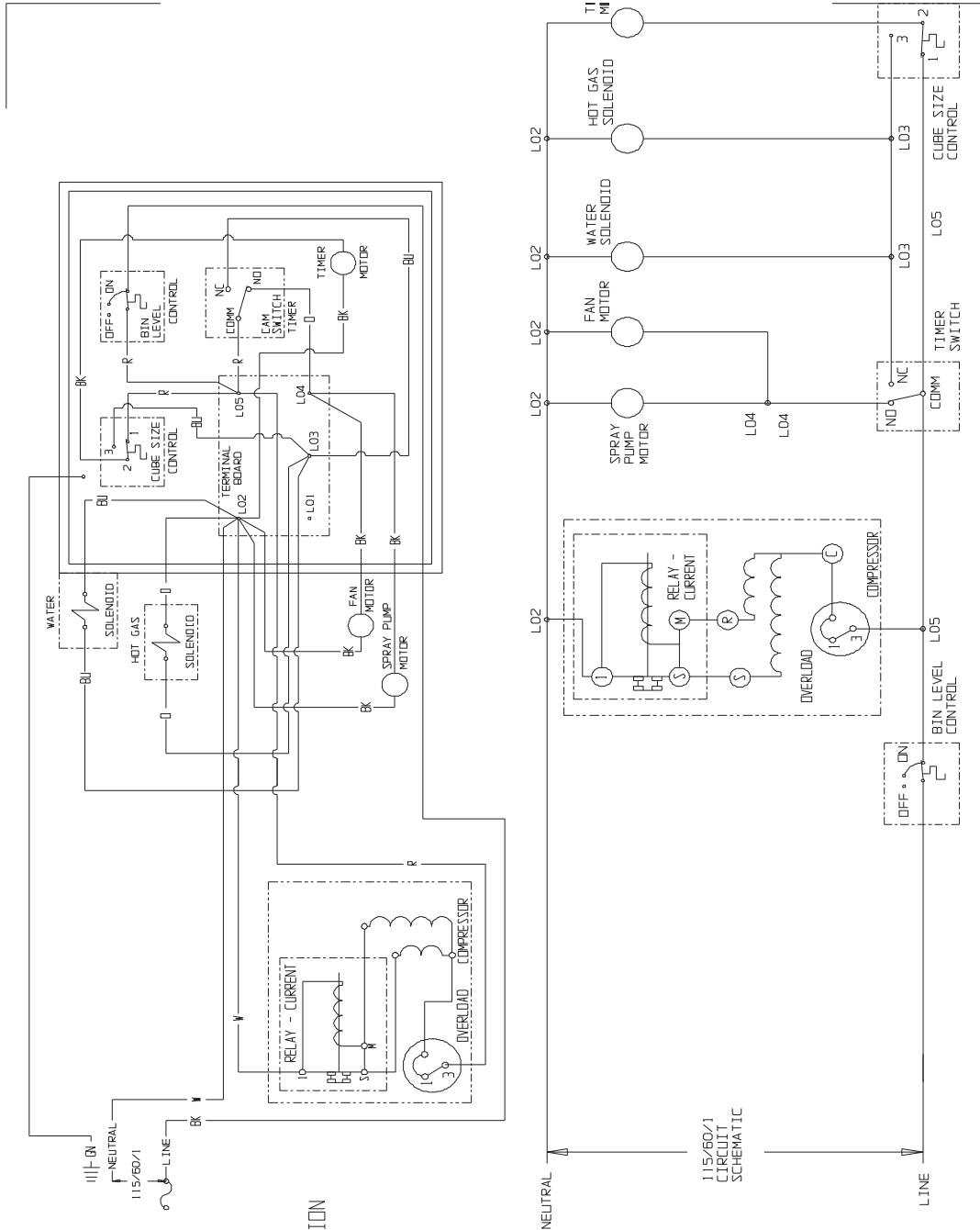
THIS UNIT SHOWN IN THE TIMED PORTION OF THE FREEZING CYCLE WITH THE DRAIN PUMP IN OPERATION

THIS UNIT MUST BE GROUNDED

- INSTALLATION INSTRUCTIONS**
1. UNIT MUST BE INSTALLED LEVEL AND IN ACCORDANCE WITH LOCAL CODES.
 2. CONNECT A POTABLE WATER LINE TO 1/4" IPT ON WATER VALVE LOCATED IN THE FRONT OF THE MACHINE.
 3. ROUTE 3/8" I.D. FLEXIBLE HOSE FROM LEFT FRONT OF MACHINE PER INSTRUCTIONS FOR DC33PA IN SERVICE MANUAL.
 4. CONNECT THE ELECTRICAL POWER CORD TO A PROPERLY WIRED AND GROUNDED RECEPTICAL.
 5. BY TURNING THE ON/OFF SWITCH/BIN LEVEL CONTROL DIAL IN A CLOCKWISE DIRECTION TO APPROXIMATE OPERATING RANGE MARKING, UNIT IS NOW IN AUTOMATIC OPERATION.

DCE33 SERVICE PARTS

Gravity Drain Model Wiring Diagram - Prior to August 2000



A36940-001

THIS UNIT SHOWN IN THE TIMED PORTION OF THE FREEZING CYCLE WITH THE DRAIN PUMP IN OPERATION

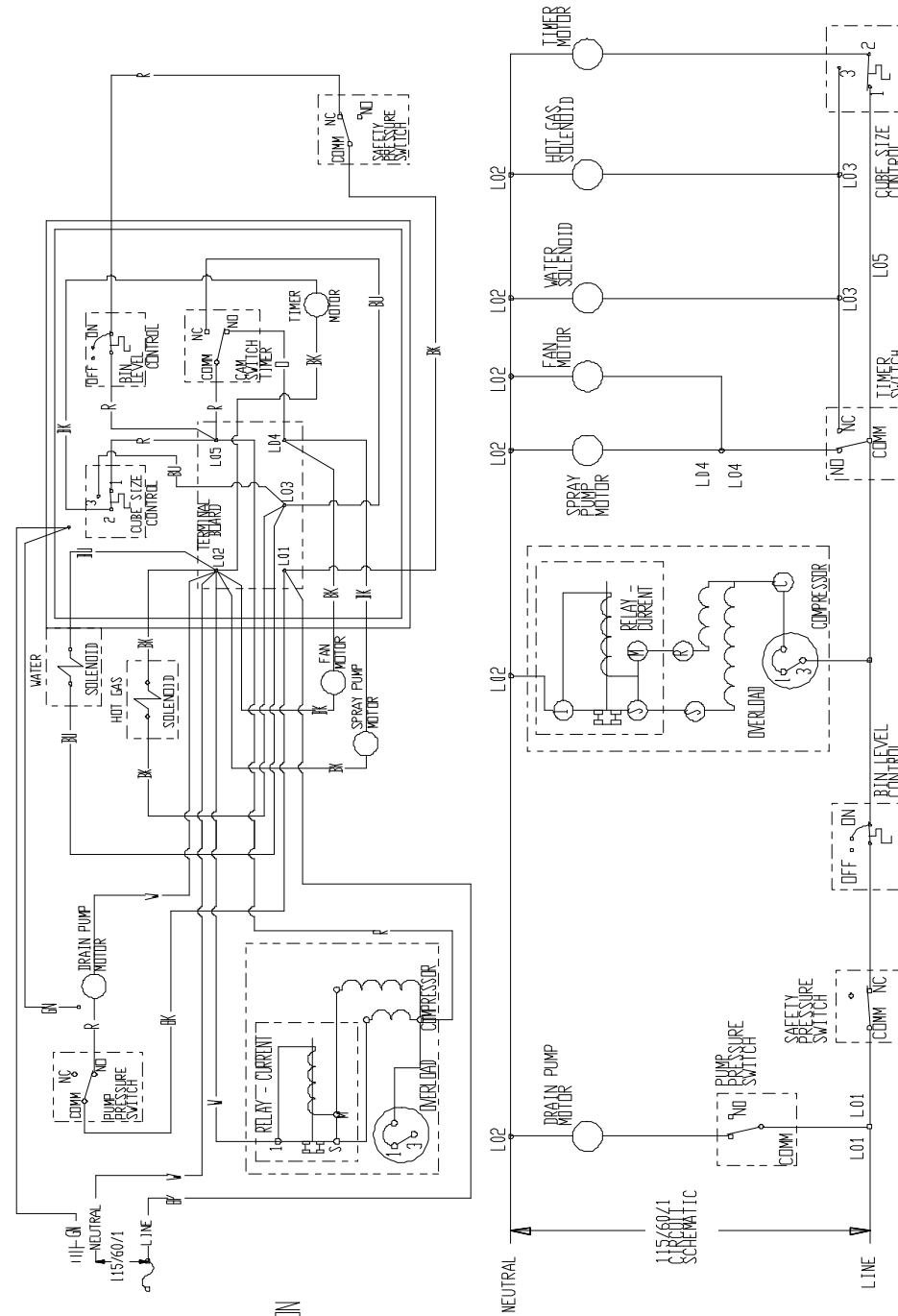
THIS UNIT MUST BE GROUNDED

INSTALLATION INSTRUCTIONS

1. UNIT MUST BE INSTALLED LEVEL AND IN ACCORDANCE WITH LOCAL CODES.
2. CONNECT A POTABLE WATER LINE TO 1/4" NPT ON WATER VALVE LOCATED IN THE FRONT OF THE MACHINE.
3. ROUTE 3/8" I.D. FLEXIBLE HOSE FROM LEFT FRONT OF MACHINE PER INSTRUCTIONS FOR DCE33PA IN SERVICE MANUAL.
4. CONNECT THE ELECTRICAL POWER CORD TO A PROPERLY WIRED AND GROUNDED RECEPTICAL.
5. BY TURNING THE ON/OFF SWITCH/BIN LEVEL CONTROL DIAL IN A CLOCKWISE DIRECTION TO APPROXIMATE OPERATING RANGE MARKING, UNIT IS NOW IN AUTOMATIC OPERATION.

DCE33 SERVICE PARTS

Drain Pump Model Wiring Diagram after August 2000 up to D series



A36943-001

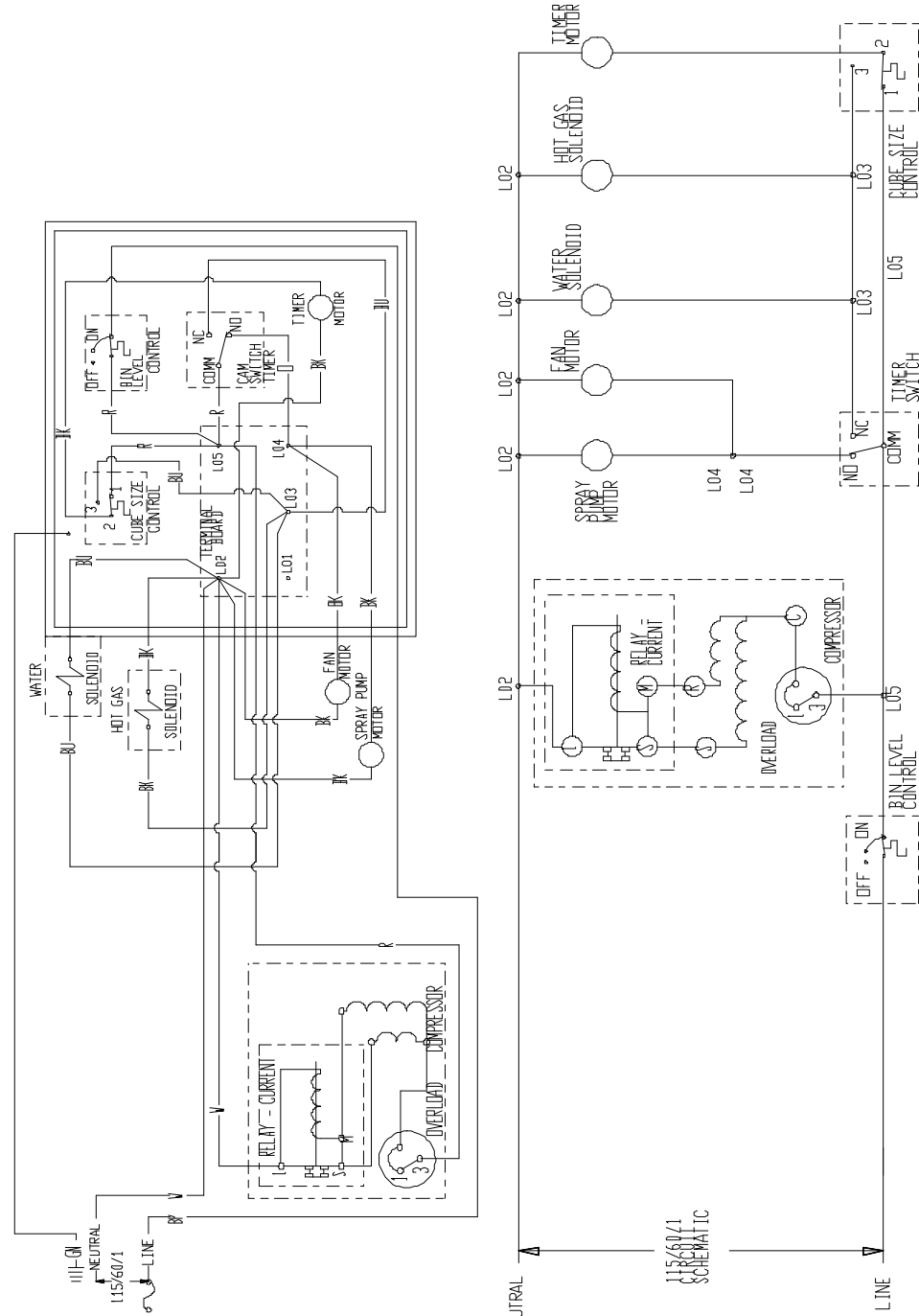
THIS UNIT SHOWN IN THE TIMED PURSION OF THE FREEZING CYCLE WITH THE DRAIN PUMP IN OPERATION

THIS UNIT MUST BE GROUNDED

- INSTALLATION INSTRUCTIONS**
1. UNIT MUST BE INSTALLED LEVEL AND IN ACCORDANCE WITH LOCAL CODES.
 2. CONNECT A BRASS WATER LINE TO 1/4 NPT OF WATER VALVE LOCATED IN THE FRONT OF THE MACHINE.
 3. ROUTE 3/8" I.D. FLEXIBLE HOSE FROM LEFT FRONT OF MACHINE PER INSTRUCTIONS FOR DCE33A IN SERVICE MANUAL.
 4. CONNECT THE ELECTRICAL WIRING CORRECTLY AND PROPERLY WIRE AND GROUND RECEPTICAL.
 5. BY TURNING THE ON/OFF SWITCH/BIN LEVEL CONTROL TO "ON" POSITION THE UNIT WILL OPERATE AUTOMATICALLY.

DCE33 SERVICE PARTS

Gravity Drain Model Wiring Diagram after August 2000 up to D series



A36940-001

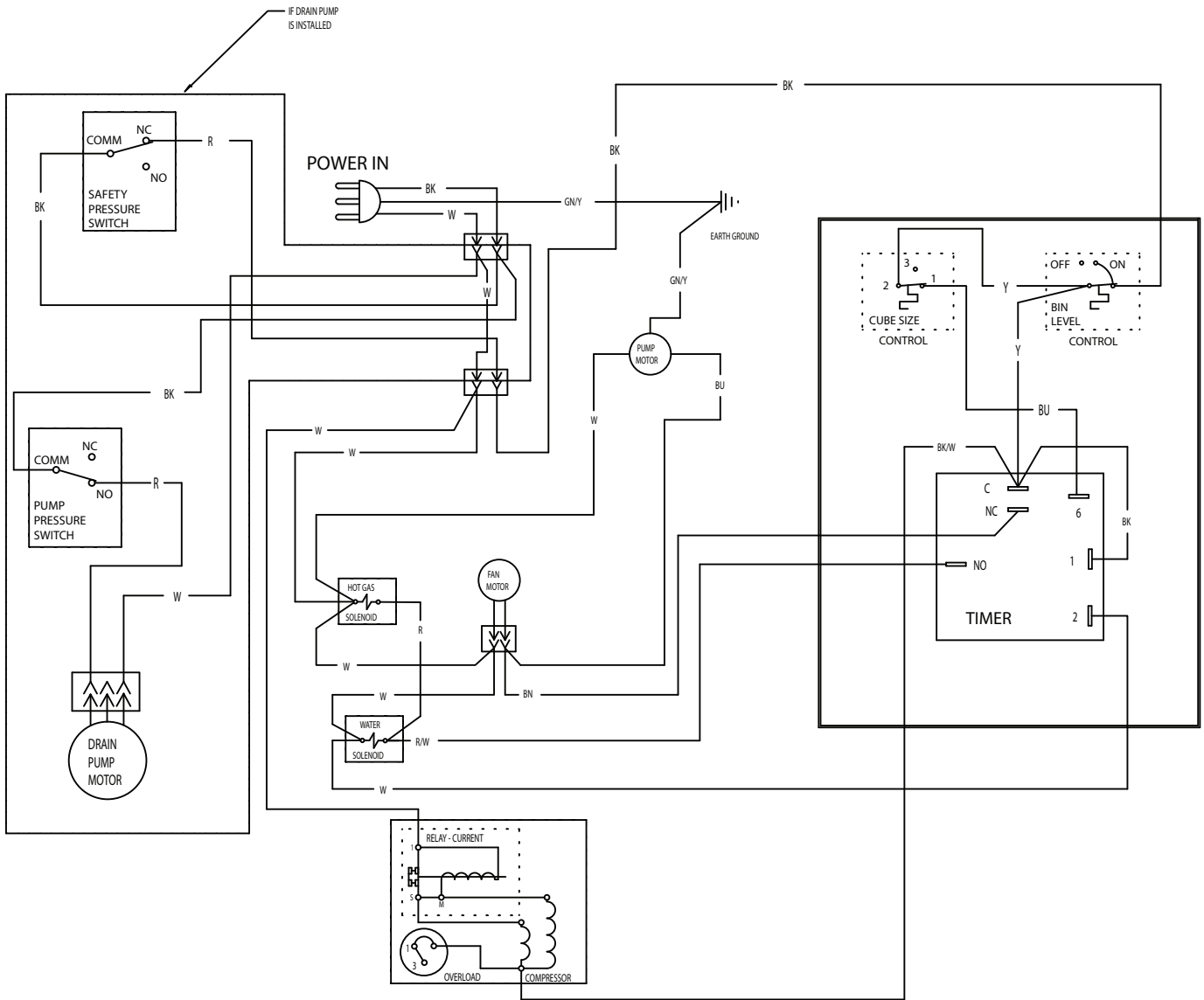
THIS UNIT SHOWN IN THE TIMED PORTION OF THE FREEZING CYCLE WITH THE DRAIN PUMP IN OPERATION

THIS UNIT MUST BE GROUNDED

- INSTALLATION INSTRUCTIONS**
1. UNIT MUST BE INSTALLED LEVEL AND IN ACCORDANCE WITH LOCAL CODES.
 2. CONNECT A POTABLE WATER LINE TO 1/4" MPT IN WATER VALVE LOCATED IN THE FRONT OF THE MACHINE.
 3. ROUTE 28" I.D. FLEXIBLE HOSE FROM WATER INLET TO WATER PUMP INSTRUCTIONS FOR DETAIL IN SERVICE MANUAL.
 4. A PROPERLY VENTED AND GROUNDING RECEPTICAL.
 5. BY TURNING THE UNDOFF SWITCH/BIN LEVEL CONTROL DOWN IN A COUNTERWISE DIRECTION TO APPROXIMATE OPERATING RANGE MARKING UNIT IS NOW IN AUTOMATIC OPERATION.

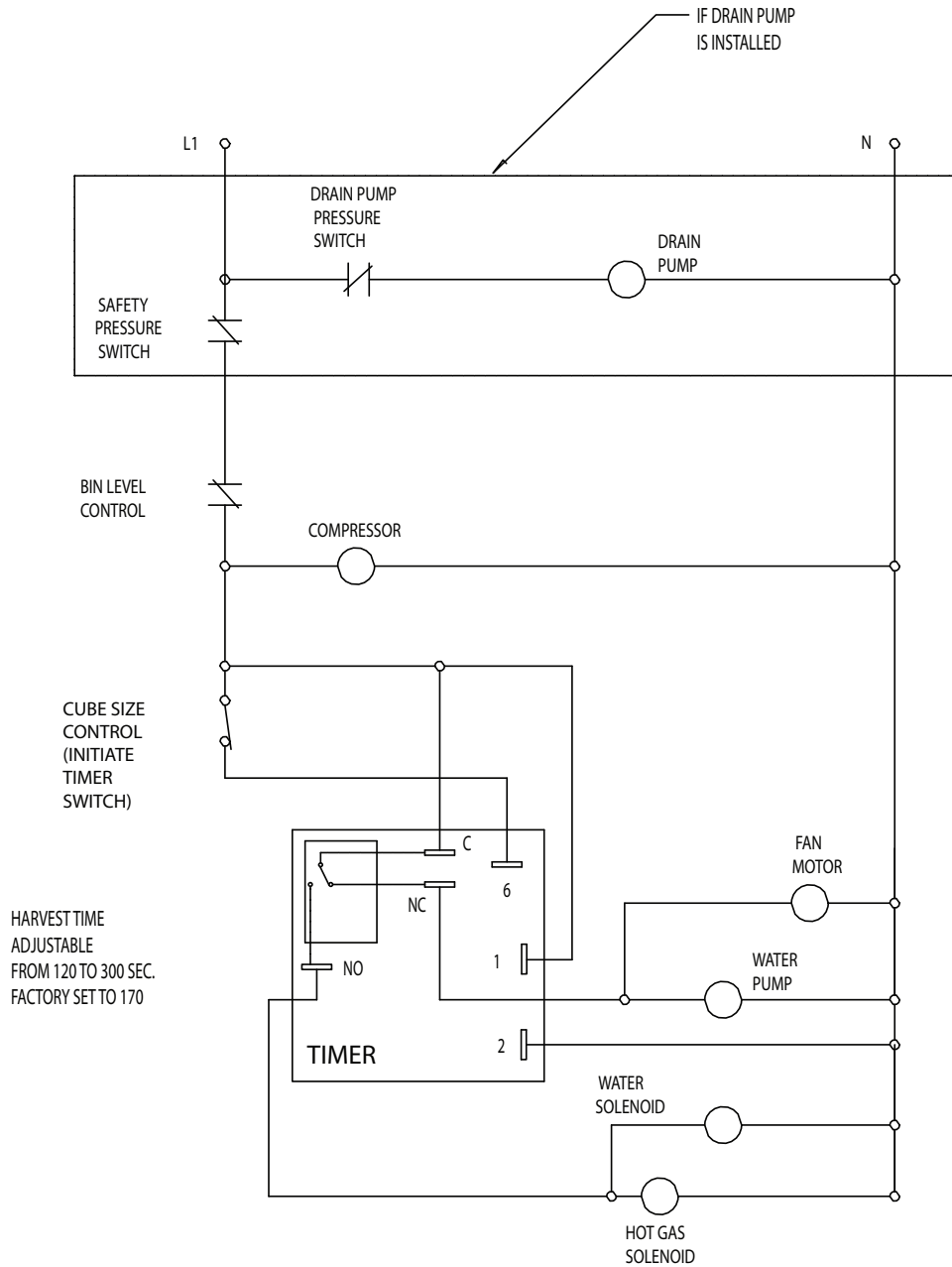
DCE33 SERVICE PARTS

Wiring Diagram for DCE33A-1BD, DCE33PA-1BD, DCE33A-1SSD or DCE33PA-1SSD



DCE33 SERVICE PARTS

Schematic Diagram DCE33A-1BD, DCE33PA-1BD, DCE33A-1SSD or DCE33PA-1SSD



SWITCHES ON THIS UNIT
SHOWN IN TIMED PORTION
OF THE FREEZE CYCLE
WITH DRAIN PUMP IN OPERATION